

# JB4SS

TuffSeal® Signal Trim Junction Box



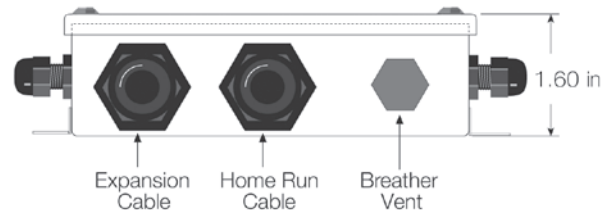
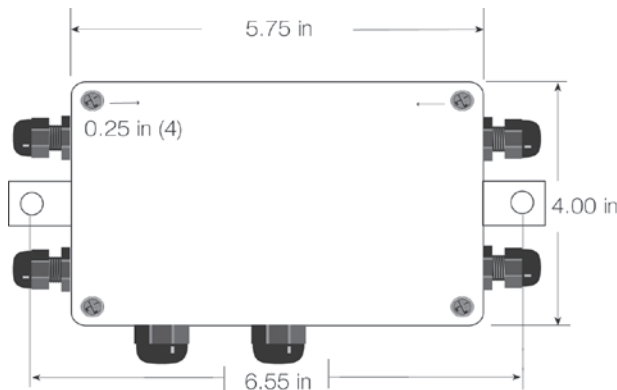
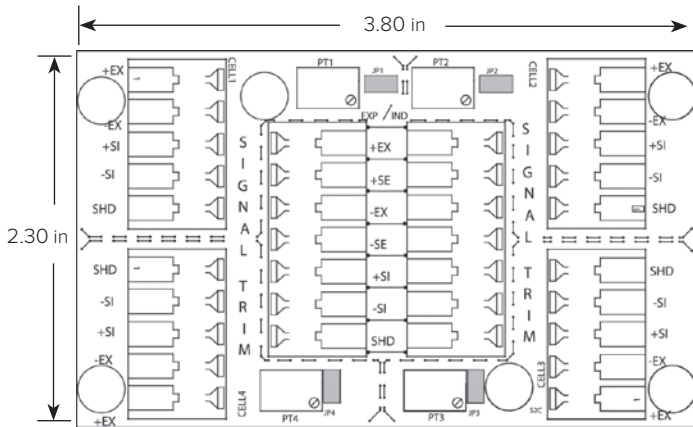
## Approvals



## Part Number/Price

Part #	Description	Price
88956	JB4SS signal trim junction box with PG7 cord grips for load cells	Consult
107700	JB4SS signal trim junction box with PG9 cord grips for load cells	Consult
88958	Board only	Consult
182990	Board only with standoffs	Consult
165271	Enclosure only (includes cord grips and filter)	Consult

Note: Do not mix junction box models or use other brands of junction boxes with Rice Lake junction boxes. There is a risk of system instability.



## Standard Features

- Stainless steel, NEMA Type 4X enclosure
- Jumpers to enable/disable a load cell
- PreVent™ breather vent
- Conformal coated circuit board
- Number of cells: two, three or four single cells
- Expansion port

## Applications

- Floor, tank, hopper scales

## Specifications

### Cable Fittings:

#### P/N 88956:

- (4) PG7 0.118 to 0.255 strain relief
- (2) PG11 0.197 to 0.394 strain relief

#### P/N 107700:

- (4) PG9 0.138 to 0.315 strain relief
- (2) PG11 0.197 to 0.394 strain relief

### Rating/Material:

- NEMA Type 4X
- Stainless steel

### Connectors:

- Spring clamp screwless, 12 to 28 AWG

### Trimming:

- Individual cell, signal trim

### Temperature Range:

- Operating
- 0 °F to 122 °F (-18 °C to 50 °C)

### Potentiometers:

- 100,000 ohm, 25-turn cermet

### Circuit Board:

- 3.8 × 2.3 in, with conformal coating

### Warranty:

- One-year limited

### Approvals:

- cFMus

JUNCTION BOXES / SIMULATORS