

WITH SEAT AND
HANDRAIL

350-10-4

DUAL-RAMP WHEELCHAIR SCALE WITH SEAT

Rice Lake's 350-10-4 dual-ramp wheelchair scale with seat and handrail allows high capacity, accurate weighing for patients requiring a seat. The padded seat easily tucks away, allowing this model to function as either a wheelchair or chair scale. Convenient keypad tare reduces errors and increases efficiency. Foldable and lightweight, this sturdy scale is easily transported on two heavy-duty rear wheels to any location.

FEATURES

- Two wheels for portability
- Dual ramp
- Nonslip platform
- Fold-away padded seat with backrest
- Large 1-inch LCD display
- Motiontrap™ movement compensation technology
- Unit of measure toggle or locking
- EMR capable
- Serial and USB data communication ports
- Bluetooth® BLE 4.0 available, part number selectable
- Tare function
- Hold function
- BMI (body mass index) function
- Factory calibrated
- Easy to store, folded depth is 11.75 in

SPECIFICATIONS

Capacity:

1,000 × 0.2 lb (450 × 0.1 kg)

Platform Dimensions Without Ramps:

(L × W × H)
29.5 × 32.0 × 2.4 in

Power:

9 VDC, provided by six AA alkaline batteries (included) or AC adapter (optional)

Battery Type:

Six AA alkaline (included)

Battery Use:

25 hours of continuous use with batteries
Automatic power-off can be configured

Operating Temperature:

50 °F to 104 °F (14 °C to 40 °C)

Display:

5-digit LCD display, 0.75 in (1.9 mm) digit height

Approvals:

c-Met, E113986

Warranty:

Two-year limited





WHEELCHAIR SCALE

MODEL	CAPACITY	COMMUNICATION	PART #
350-10-4	1,000 × 0.2lb (450 × 0.1 kg)	USB	141448
350-10-4BLE	1,000 × 0.2lb (450 × 0.1 kg)	Bluetooth® BLE 4.0	194737

OPTIONS

DESCRIPTION	PART #
9 VDC adapter, 120 V/230 V auto switching c-MET* <i>Medical grade power supply</i>	115655
9 VDC adapter, 120 V/230 V auto switching*	133077
9 VDC adapter, 230 V**	102508
Epson TM-U220 tape printer	81076
Cable, RS232 scale to printer, 6 ft, 25-pin D-Sub (male) to RJ45	186830
Cable, USB 6 ft USB-A (male) to USB-B (male)	79074
Cable, Communication DB9 (female) to RJ45 (male), 4 conductor	217091

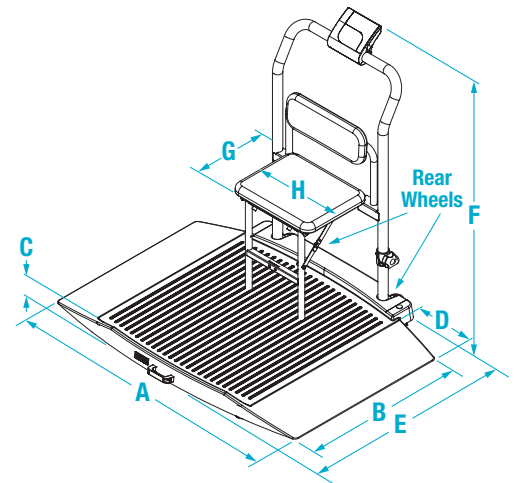
*NEMA 1-15 Plug  **CEE 7/16 Plug 

SHIPPING WEIGHT

MODEL #	PART #	L (IN)	W (IN)	H (IN)	PACKAGE WGT. (LB)	DIM WGT. (LB)	SHIPPING WGT. (LB)
350-10-4	141448	51	43	21	132	332	332
350-10-4BLE	194737	51	43	21	132	332	332

DIMENSIONS

	INCHES	CENTIMETERS		INCHES	CENTIMETERS
A	48.5	123.2	E	38.0	96.5
B	32.0	81.3	F	45.0	114.3
C	2.4	6.1	G	6.3	16.0
D	9.3	23.6	H	12.0	30.5



An ISO 9001 Registered Company ©2024 Rice Lake Weighing Systems 03/24
Specifications subject to change without notice. Visit ricelake.com

