

# MSI-3460

Assembly (250 to 10,000 lb)



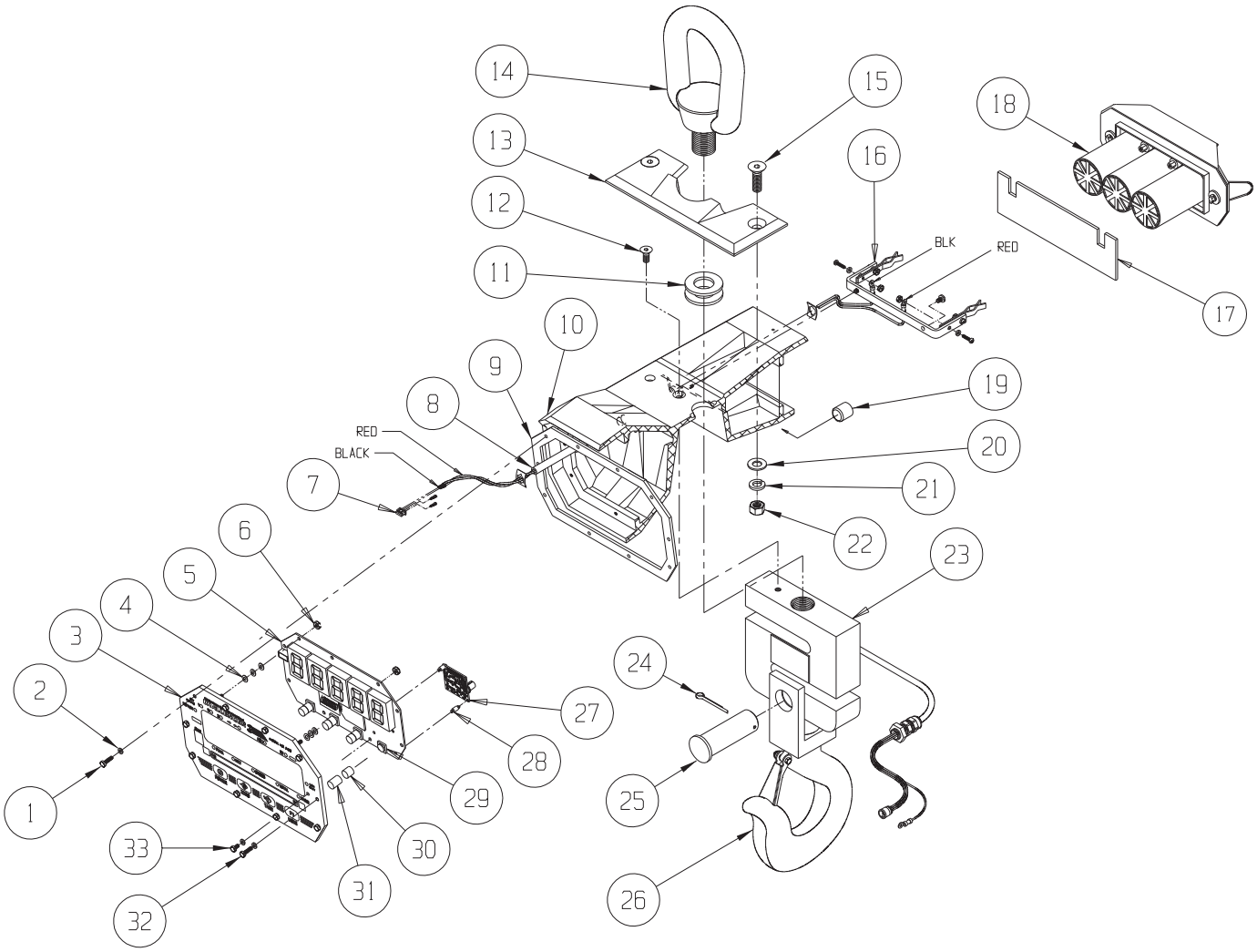
## Part Number/Price

Item #	Part #	Description	Price
1	142276	Screw, hex head, 6-32 × 5/8, stainless steel	Consult
2	144645	Washer, rubber #6	Consult
3	149298	Front panel assembly	Consult
4	141899	Washer, flat, #6	Consult
5	149279	PCB display	Consult
6	128445	Nut, hex, 6-32, stainless steel	Consult
7	144178	Connector, power to PCB	Consult
8	148347	Tube, power cable	Consult
9	150056	Gasket, front panel	Consult
10	150398	Casting	Consult
11	148177	Washer, foam	Consult
12	146120	Screw, flat head, 1/4-20 × 5/8, stainless steel	Consult
13	148052	Plate, keeper, 250 to 2,000 lb	Consult
13	148050	Plate, keeper, 5,000 to 10,000 lb	Consult
14	142030	Eye, lifting, 250 to 2,000 lb	Consult
14	135441	Eye, lifting, 5,000 to 10,000 lb	Consult
15	146121	Screw, flat head, 3/8-16 × 1-1/4, allen, stainless steel	Consult
16	139821	Bracket assembly, battery clip	Consult
17	149750	Pad, battery	Consult
18	140049	Battery assembly	Consult
19	145927	Cap, receptacle	Consult
20	146533	Washer, flat, 3/8, stainless steel	Consult
21	15160	Washer, split lock, 3/8, stainless steel	Consult
22	126992	Nut, hex, 3/8-16, stainless steel	Consult
23	139081	Load cell assembly, 250/500 lb	Consult
23	139081	Load cell assembly, 1,000/2,000 lb	Consult
23	139082	Load cell assembly, 5,000/10,000 lb	Consult
24	145944	Pin, cotter, (fits 11205 clevis pin)	Consult
24	15258	Pin, cotter, (fits 11206 clevis pin)	Consult
25	142594	Pin, clevis (fits C00524-0009 hook)	Consult
25	142595	Pin, clevis (fits C00524-0010 hook)	Consult
26	140079	Hook/clevis assembly, 250 to 2,000 lb	Consult
	143232	Latch, safety (fits C00524-0009)	Consult
26	140080	Hook/clevis assembly, 5,000 to 10,000 lb	Consult
	143233	Latch, safety (fits C00524-0010)	Consult
27	153429	PCA, with turch insert	Consult
28	144929	Spacer, dual locking	Consult
29	143816	Switch	Consult
30	144643	Cap, switch .364, orange	Consult
31	144644	Cap, switch .236	Consult
32	142573	Screw, hex head, 6-32 × 5/8, stainless steel , drilled	Consult
33	142574	Screw, hex head, 6-32 × 1/4, stainless steel	Consult

REPLACEMENT PARTS

# MSI-3460

Assembly (250 to 10,000 lb)



REPLACEMENT PARTS

# MSI-3460

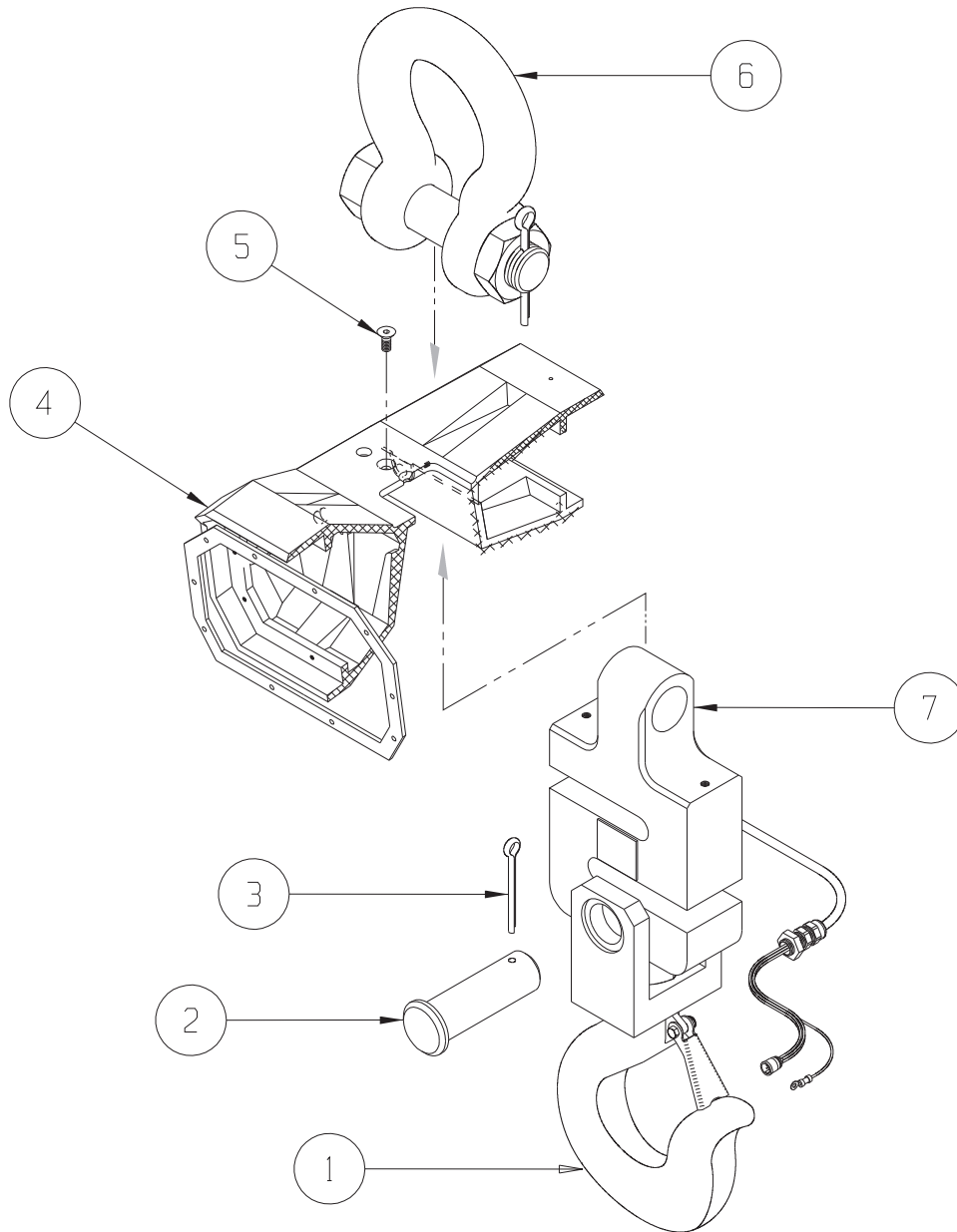
Assembly (15,000 lb)



## Part Number/Price

Item #	Part #	Description	Price
1	135966	Swivel hook clevis assembly	Consult
2	142836	Pin clevis, 1.25 diameter x 4, steel plated	Consult
3	142186	Pin, cotter, 3/16 x 2	Consult
4	136084	Casting	Consult
5	146120	Screw, 1/4-20 x 5/8, allen, stainless steel	Consult
6	146331	Shackle 12 ton	Consult
7	139083	Load cell assembly, 15,000 lb/ 7,000 kg	Consult

REPLACEMENT PARTS



**REPLACEMENT PARTS**

# MSI-3460

Battery Charger Assembly

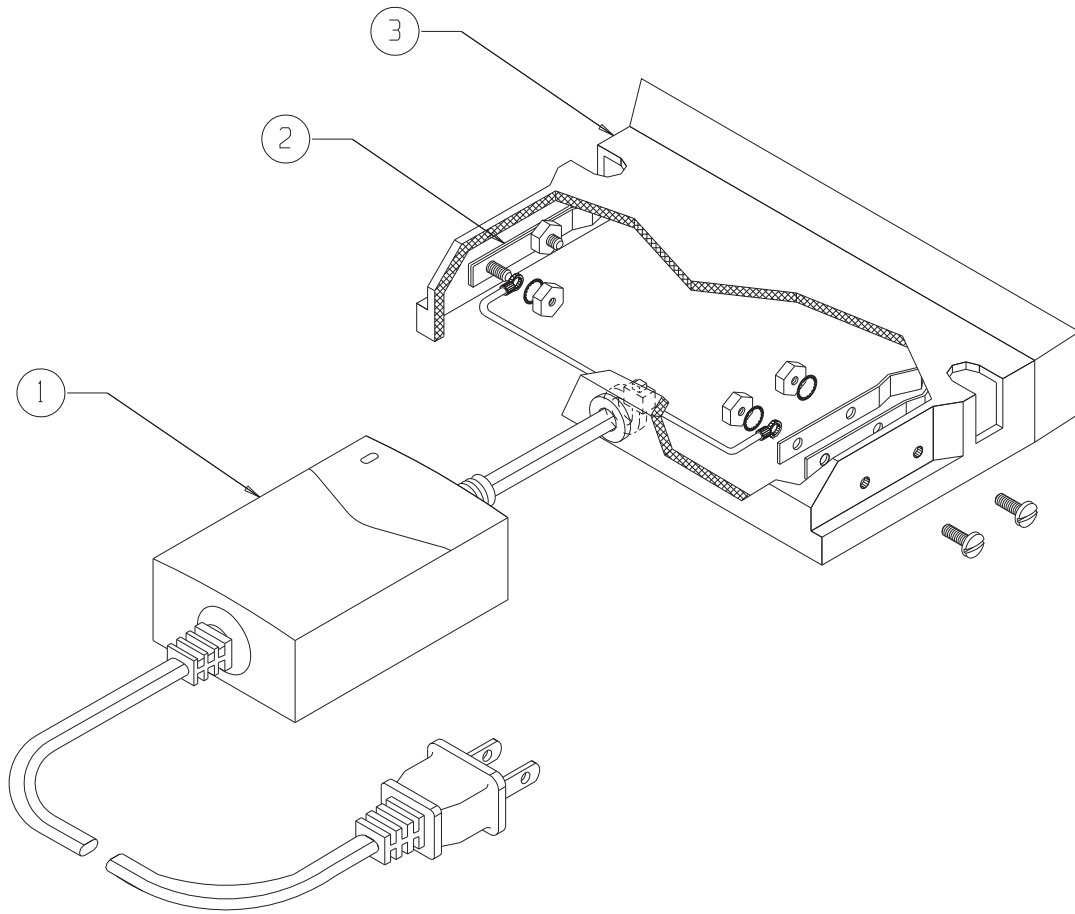


## Part Number/Price

Item #	Part #	Description	Price
1	<b>162172</b>	Charger, 6V universal input	Consult
2	<b>150038</b>	Clip, battery terminal	Consult
3	<b>150055</b>	Enclosure	Consult
	<b>139152</b>	Battery charger assembly, US plug	Consult
	<b>139153</b>	Battery charger assembly, European plug	Consult
	<b>139154</b>	Battery charger assembly, no plug	Consult

# MSI-3460

Battery Charger Assembly



REPLACEMENT PARTS