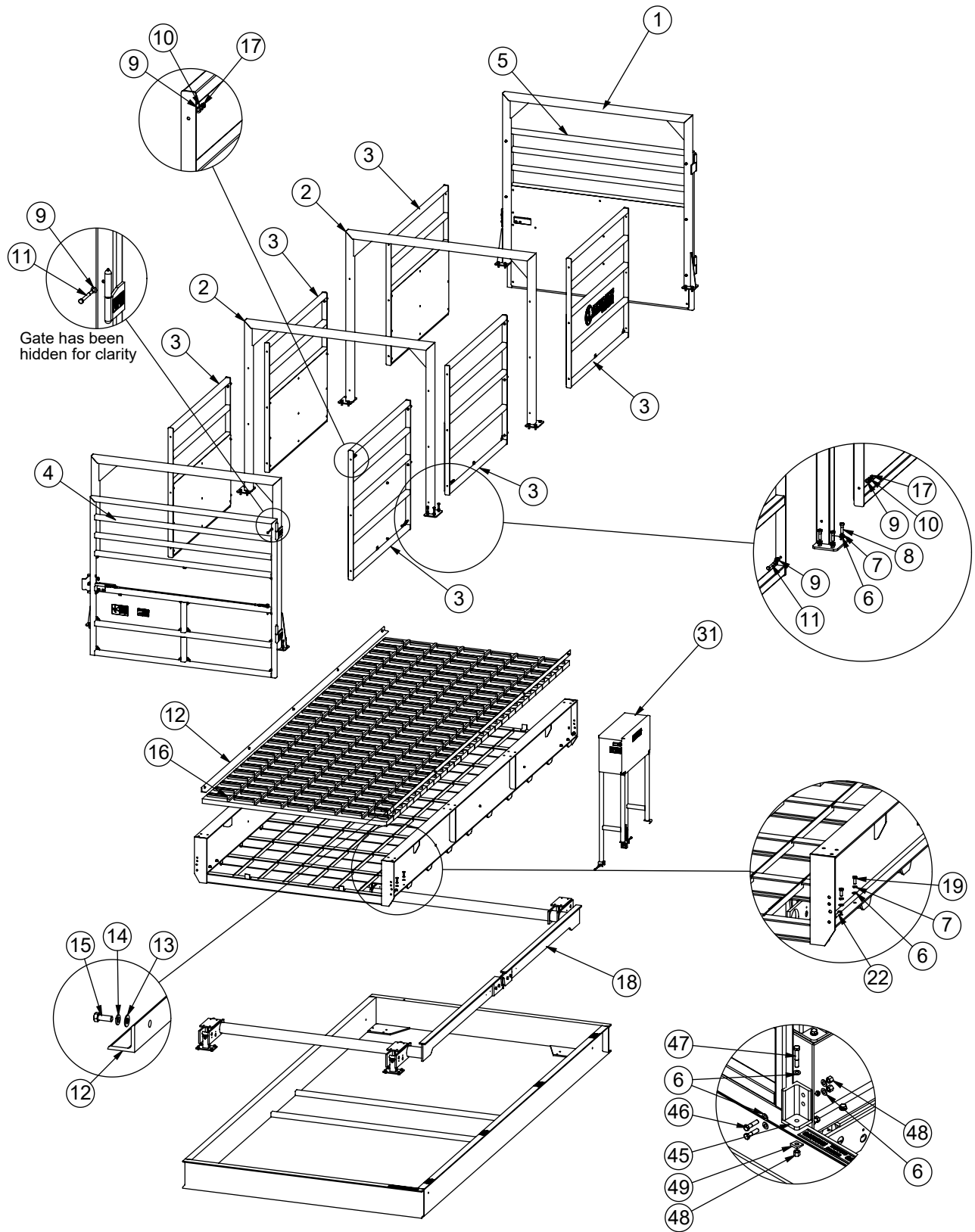


MAS-LM

Mechanical Animal Scale

LIVESTOCK
REPLACEMENT PARTS





Part Number/Price

Item #	Part #	Description
1	151192	End overhead, 7 ft
	154680	End overhead, 10 ft
2	151169	Internal overhead, 7 ft
	154678	Internal overhead, 10 ft
3	151174	Wall segment 18 x 2197 LC AG
4	151190	Gate assembly, left-hand 7 ft (includes item #1)
	154682	Gate assembly, left-hand 10 ft (includes item #1) See MAS-LM parts illustration - end gates for gate parts
5	151194	Gate assembly, right-hand 7 ft (includes item #1)
	154681	Gate assembly, right-hand 10 ft (includes item #1) See MAS-LM parts illustration - end gates for gate parts
6	15173	Washer, plain 1/2 in Type B
7	15167	Washer, lock 1/2 in regular
8	114014	Screw, cap 1/2-13 NC x 1-3/4 in
9	21938	Washer, plain 3/8 in Type A
10	15159	Washer, lock 3/8 in regular
11	127003	Screw, hex cap 3/8-16
12	155750	Angle, X-Lug hold-down (13 ft)
	154140	Angle, X-Lug hold-down (14 ft)
	155820	Angle, X-Lug hold-down (17 ft)
	151296	Angle, X-Lug hold-down (18 ft)
	154117	Angle, X-Lug hold-down (20 ft)
13	111737	Washer, plain 3/8 in Type A
14	111736	Washer, lock 3/8 in regular
15	151352	Bolt, 3/8-16 NC x 1 in hex
16	151307	Flooring, X-Lug rough (9 ft)
	154676	Flooring, X-Lug rough (11.5 ft)
17	132684	Nut, hex 3/8-16 NC grade 5 zinc
18		Pipe lever assembly (see pipe lever assembly parts illustration)
19	15054	Screw, cap 1/2-13 NC x 1-1/4 in
22	15080	Screw, cap 1/2-13 NC x 2-1/2 in
31	153249	Weigh center (see weigh center assembly parts)
45	157754	Right LM frame anchor
	157753	Left LM frame anchor
46	157759	Screw, cap 1/2-13 NC x 2 in hex
47	157762	Screw, cap 1/2-13 NC x 3 in hex
48	157769	Nut, lock 1/2-13 NC hex
49	106091	Washer, 1/2 in square beveled

LIVESTOCK
REPLACEMENT PARTS