

Uni-9

Electric Unit and Wiring Diagram - Pole, Short Pole



Short Pole
(platter shown is optional)

Pole

Part Number/Price

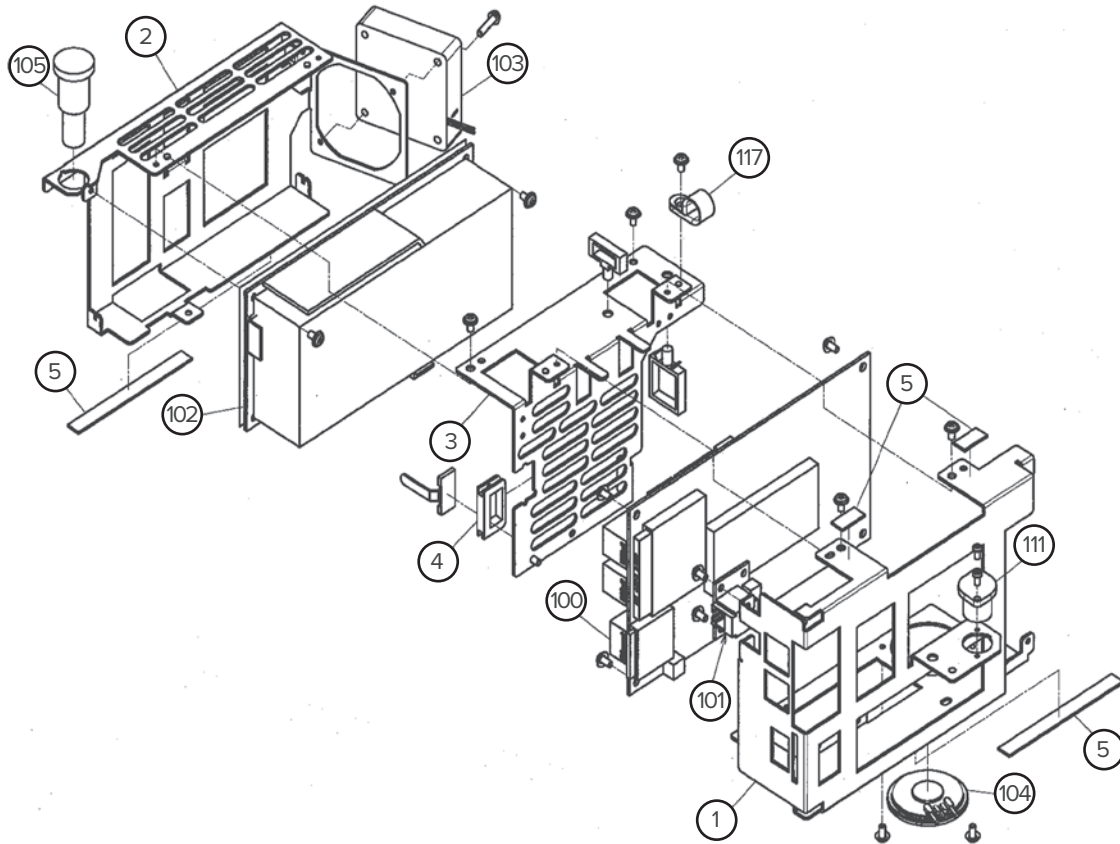
| Ref # | Part # | Description | Synonym | Price |
|-------------------------------------|---------|---|-----------------|---------|
| 1 | Consult | Bracket, PWB | 137-0872-12 | Consult |
| 2 | Consult | Bracket, PS | 137-0871-28 | Consult |
| 3 | 182929 | Guide, harness | 138-1542-23 | Consult |
| 4 | 186510 | Accessory, fastener, edge, saddle | 064-0360-05 | Consult |
| 5 | 186511 | Gasket | 141-6196-06 | Consult |
| 100 | 158280 | PWB P-1100A, CPU | 141-6280-24 | Consult |
| — | 200243 | CF card, SSD with OS, Uni-9/Uni-9H | | Consult |
| 101 | 158281 | PWB P-1117, cash drawer relay board | 138-5925-02 | Consult |
| 102 | 154777 | Power supply, switching | 138-5941-02 | Consult |
| 103 | 181152 | Fan assy | 141-6085-15 | Consult |
| 104 | 181153 | Speaker assy | 140-7073-26 | Consult |
| 105 | 186512 | Fuse holder assy | 138-5697-21 | Consult |
| 106* | 125707 | Fuse, glass tube | 069-2407-00 | Consult |
| 107* | 186513 | Harness, C3, power supply | 137-0804-37 | Consult |
| 108* | 186514 | Harness, C6, sensors | 137-0813-40 | Consult |
| 109* | 186515 | Harness, C3, printer motor | 138-5939-22 | Consult |
| 110* | 186518 | Harness, S2, power switch | 137-0798-38 | Consult |
| 111* | 182930 | Harness, C6, internal/remote scale | 138-2492-42 | Consult |
| 112* | 176788 | Harness, C6, operator display | 138-5716-38 | Consult |
| 113** | Consult | Harness, C4, customer display junction (short pole) | 138-5717-31 | Consult |
| 113* | Consult | Harness, C4, customer display junction (pole) | 141-6126-14 | Consult |
| 114* | 186520 | Harness, S1, jumper | 133-8499-16 | Consult |
| 115* | 186521 | Filter, ferrite core | 072-2454-03 | Consult |
| 116* | 186522 | Filter, ferrite core | 096-9524-03 | Consult |
| 117 | 186523 | Accessory, clamp, shield | 141-6084-02 | Consult |
| 999 | 119506 | Power cord, 90 degree molded | 089-5787-04 | Consult |
| Wi-Port and Wireless Options | | | | |
| 999 | 119159 | Antenna, WiFi | 000-089-5639-06 | Consult |
| 999 | 165194 | Antenna, bracket, hidden | 000-5592-00 | Consult |
| 999 | 119158 | PWB PK-265A RF wireless card, Wi-Port | 000-089-8141-09 | Consult |

* See Electric Unit Wiring Diagram - Pole on page 80: items 2-106 to 2-116

** See Electric Unit Wiring Diagram - Short Pole on page 81: item 2-113

Uni-9

Electric Unit and Wiring Diagram - Pole, Short Pole

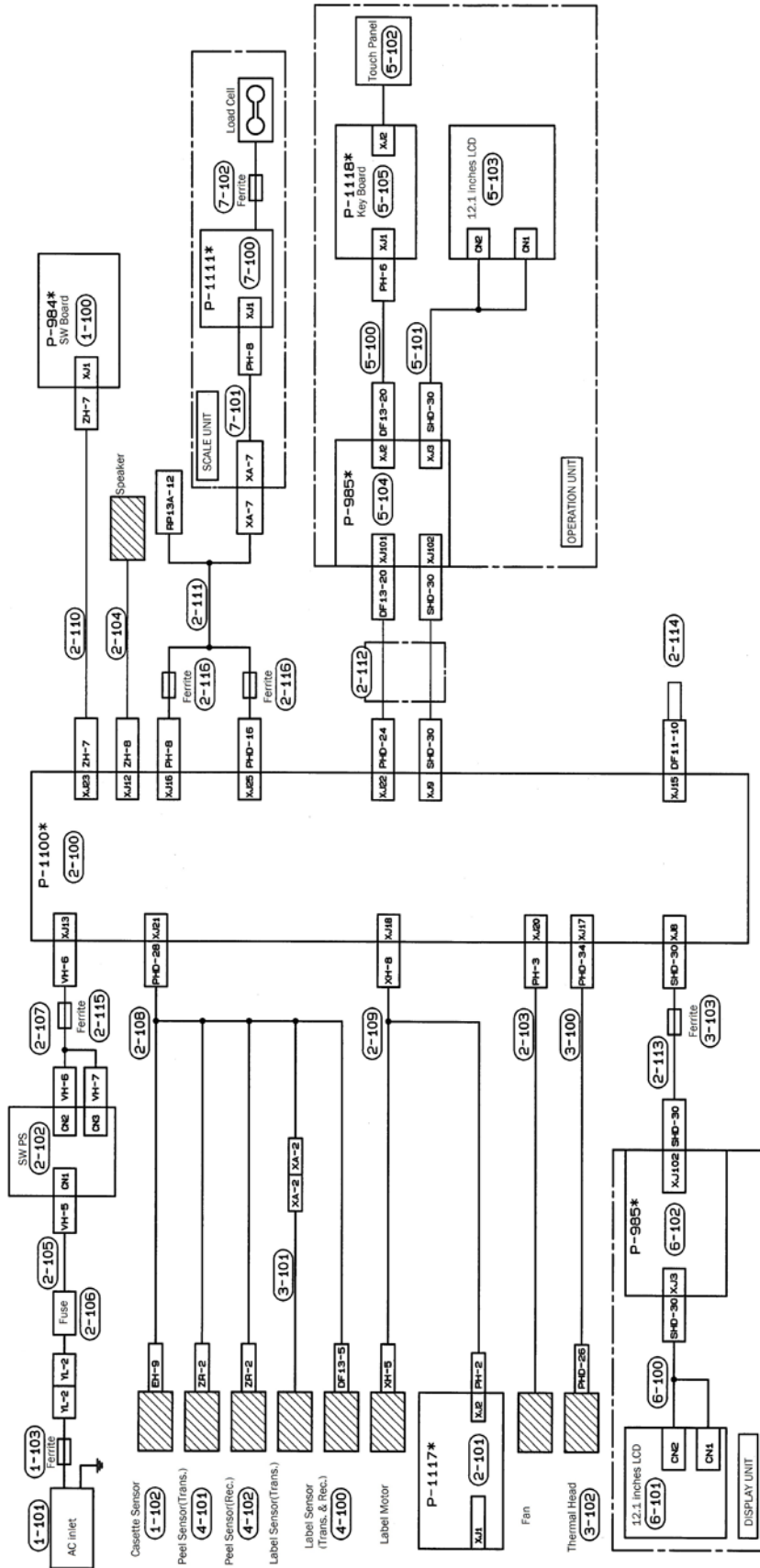


Printing Scales

Uni-9

Electric Unit Wiring Diagram - Pole

Printing Scales

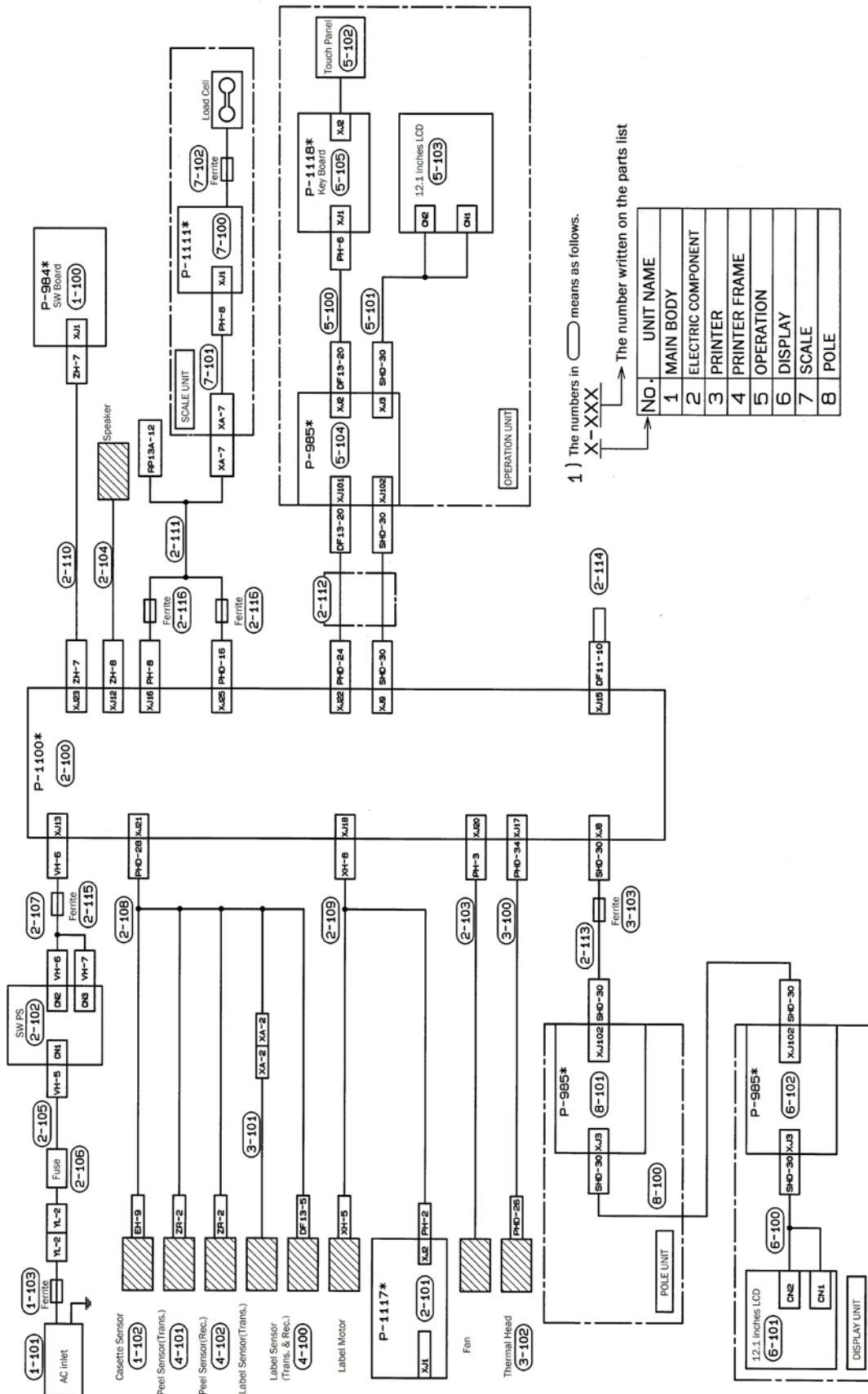


1) The numbers in means as follows.

X-XXX

→ The number written on the parts list

| No. | UNIT NAME |
|-----|--------------------|
| 1 | MAIN BODY |
| 2 | ELECTRIC COMPONENT |
| 3 | PRINTER |
| 4 | PRINTER FRAME |
| 5 | OPERATION |
| 6 | DISPLAY |
| 7 | SCALE |



1) The numbers in  means as follows.

X-XXX

The number written on the parts list

| No. | UNIT NAME |
|-----|--------------------|
| 1 | MAIN BODY |
| 2 | ELECTRIC COMPONENT |
| 3 | PRINTER |
| 4 | PRINTER FRAME |
| 5 | OPERATION |
| 6 | DISPLAY |
| 7 | SCALE |
| 8 | POLE |