

Counting Scales

TABLE OF CONTENTS

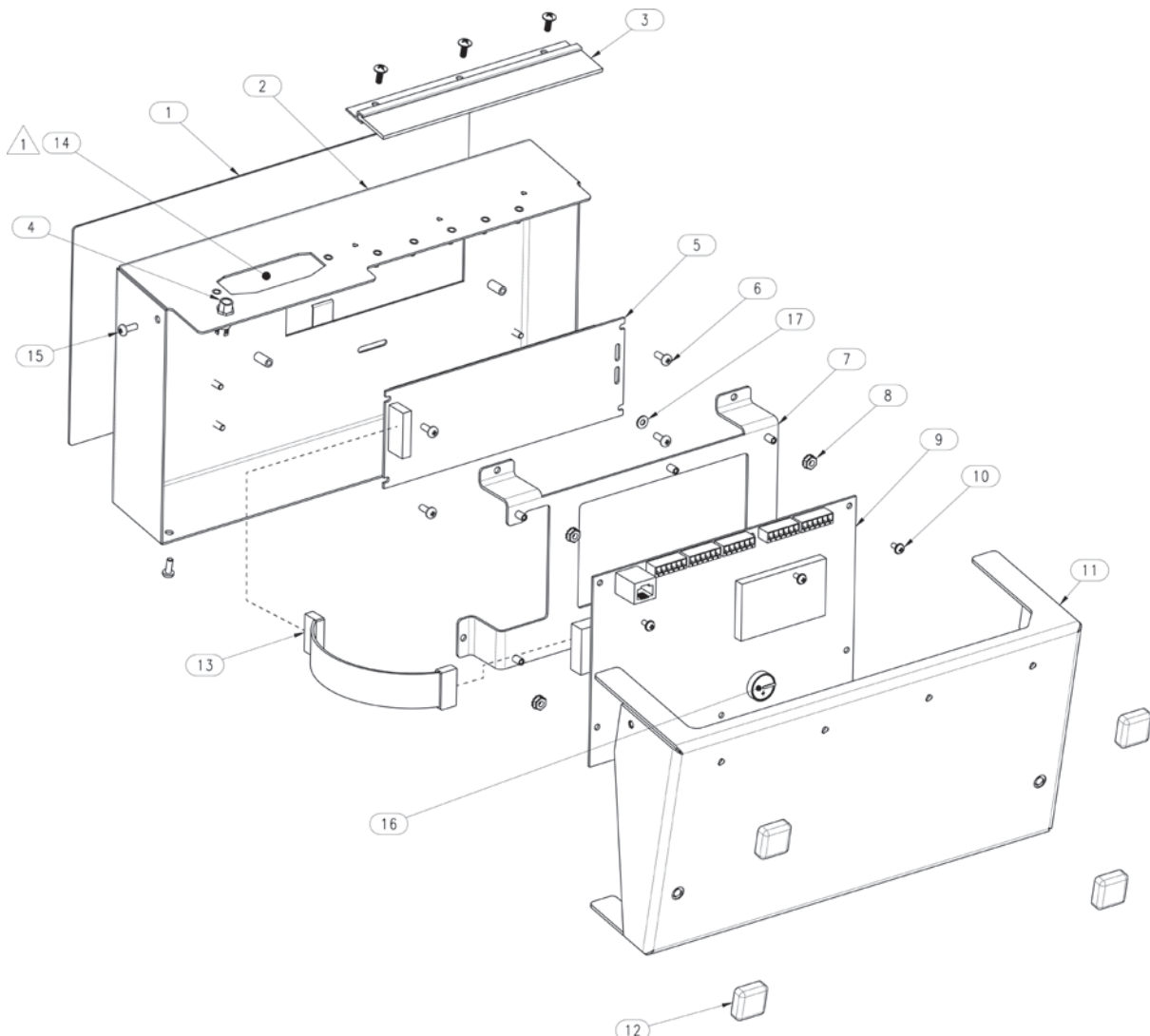
COUNTERPART	76
DIGI [®] DC-400	78
DC-782	79
DC-788	80
DMC-782	81
<i>Coin Counting Scales</i>	
DMC-290	82
DMC-688	83
DC-180	84
DC-19/IQ9500	85
DC-100/200/300	86
DC-688	87
DC-530	88

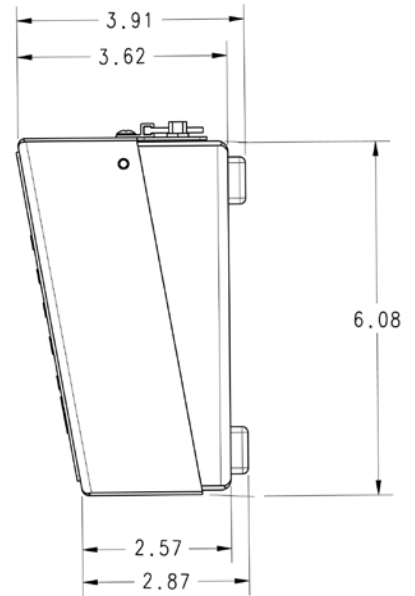
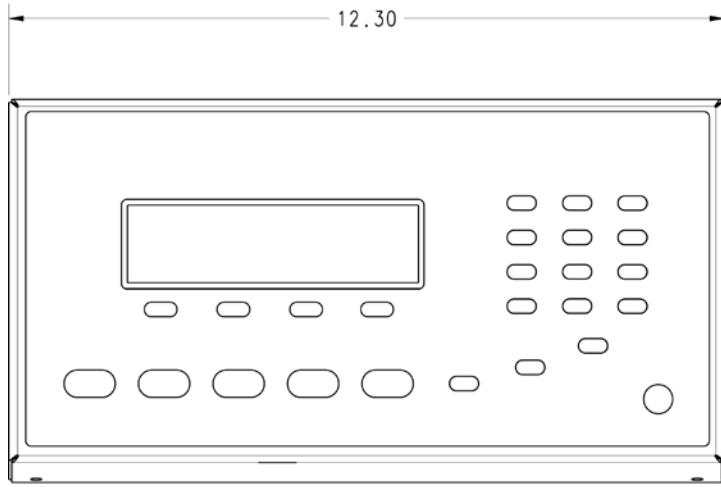
Part Number/Price

Ref #	Part#	Description	Price
1	118434	Overlay, membrane switch panel (1)	Consult
2	118435	Counterpart cover enclosure (1)	Consult
3	120756	Seal stripe, nylon brush with holes (1)	Consult
5	119275	LCD display module	Consult
7	120484	CPU mounting bracket (1)	Consult
8	14621	Kep nut, 6-32 NC hex (6)	Consult
9	120741	CPU board (1) single AD	Consult
	117507	CPU board (1) dual AD	Consult
10	14822	Machine screw, 4-40 NC x 1/4 (6)	Consult
11	118437	Enclosure base (1)	Consult
12	19433	Rubber foot (4)	Consult
13	60130	Ribbon cable (1)	Consult
14	75146	Cover plate (1)	Consult
15	120266	Machine screw, 6-32 NC x 3/8 (7)	Consult
16	69291	Lithium battery, 3V (1)	Consult
17	59274	#6 flat washer (1)	Consult
18	56972	Flat cable clamp (2)	Consult
	128063	Power supply 12V, requires power cord	Consult
	15438	AC power cord	Consult
21	53828	Cable, multi scale	Consult

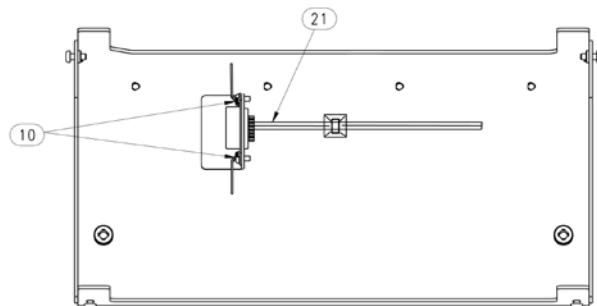
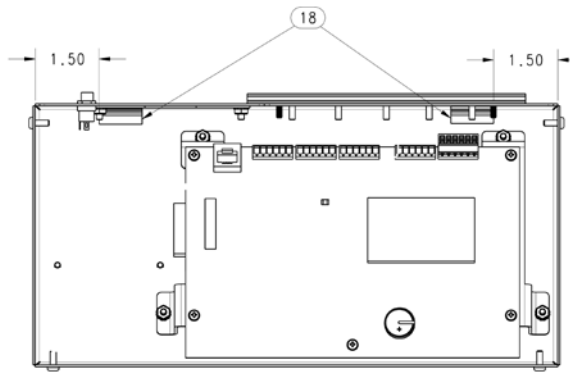
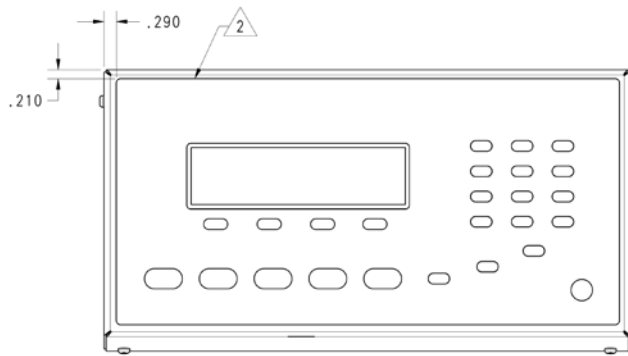


Counting Scales





Counting Scales



COUNTING SCALES
DIGI® DC-400

Part Number/Price



Part#	Description	Price
194644	Foot, DC-400 counting scale (SM56-B34)	Consult
194645	Main board, DC-400 counting scale	Consult
194646	Board, A/D, DC-400 counting scale	Consult
194647	Board, interface, DC-400 counting scale	Consult
194648	Board, switch power, DC-400 counting scale	Consult
194649	Key board, DC-400 counting scale	Consult
194650	Display, DC-400 counting scale	Consult
194651	Keysheet, DC-400 counting scale	Consult
194652	Load cell block, DC-400 counting scale. 6 kg/600 g	Consult
194653	Board, power inlet, DC-400 counting scale	Consult
194654	AC cord, DC-400 counting scale	Consult

COUNTING SCALES
DC-782

Part Number/Price

Part#	Description	Synonym	Price
109241	Adhesive, display overlay DC-782	41021508600200	Consult
109242	Keyboard, underlayment DC-782	41021505000101	Consult
73524	Platter, DC-782	41001050000100	Consult
109243	Overlay, display window 6 lb	43002150103800	Consult
109244	Overlay, display window 15 lb	43002150103900	Consult
109245	Overlay, display window 30 lb	43002150104000	Consult
109246	Overlay, display window 60 lb	43002150104100	Consult
109247	Overlay, keyboard DC-782	43002105100300	Consult
109248	Bracket, platter support	41021508800101	Consult
73438	Support, platter black	40402000080840	Consult
109249	Support, center black	40402000080740	Consult
109250	Foot, DC-782	40402000000240	Consult
109251	Nut, foot DC-782 Heagon T3 M6	30N00000006003	Consult
109252	Load cell, 6 lb (3 kg)	44009960200500	Consult
109253	Load cell, 15 lb (6 kg)	44009960200200	Consult
109254	Load cell, 30 lb (12 kg)	44009960200100	Consult
109255	Load cell, 60 lb (30 kg)	44009960200300	Consult
109256	Board, main DC-782	43002190100400	Consult
109257	Board, A/D DC-782	43002190500100	Consult
109258	Board, DC power DC-782	41021591000100	Consult
108518	AC adapter	-	Consult
112266	Board, power, 117V (units made after 2/2011)		Consult
108516	Rechargeable battery		Consult



Counting Scales

DC-788

Part Number/Price



Part#	Description	Synonym	Price
89994	Keysheet, 16 keys	43002085100101	Consult
89997	Keysheet, 8 keys	43002005100301	Consult
89999	Keyboard	41012690901100	Consult
90152	Main board	43002090900100	Consult
90153	Load cell, 2 lb	43002066200400	Consult
90154	Load cell, 10 lb	43001060200100	Consult
90155	Load cell, 20 lb	43002060200200	Consult
90156	Load cell, 50 lb	41001060200300	Consult
90159	Load cell, 100 lb	43002060200500	Consult
90188	Cover top	43002002800600	Consult
90160	Platter support	41012608800102	Consult
90171	Platter cover 10 lb-100 lb	41012650200900	Consult
65956	Platter cover 2lb	40303200040320	Consult
91214	AC adapter 110-240 US plug	-	Consult
92549	Board, pre-amp A/D	4300209091300	Consult
96797	Display lens	43002050100201	Consult
97368	Sealing screws	41004601300200	Consult
97369	White washers	41012602900101	Consult
98398	Display board	43002090900200	Consult
151443	Leveling foot	-	Consult
73588	Rubber support	-	Consult
163482	DC Input Jack	-	Consult

COUNTING SCALES
DMC-782
 Coin Counting Scales

Counting Scales



Part Number/Price

Part#	Description	Synonym	Price
109241	Adhesive, display overlay DMC-782	41021508600200	Consult
109242	Keyboard, underlayment DMC-782	41021505000101	Consult
73524	Platter, DMC-782	41001050000100	Consult
112263	Overlay, display window DMC-782	43002250100100	Consult
112264	Overlay, keyboard DMC-782	43002205100100	Consult
109248	Bracket, platter support	41021508800101	Consult
73438	Support, platter black	40402000080840	Consult
109249	Support, center black	40402000080740	Consult
109250	Foot, DMC-782	40402000000240	Consult
109251	Nut, foot DMC-782 Hexagon T3 M6	30N00000006003	Consult
109252	Load cell, 6 lb (3 kg)	44009960200500	Consult
109253	Load cell, 15 lb (6 kg)	44009960200200	Consult
109255	Load cell, 60 lb (30 kg)	44009960200300	Consult
112265	Board, main DMC-782	43002290100200	Consult
109257	Board, A/D DMC-782	43002190500100	Consult
112266	Board, power DMC-782, 117V	41021691000400	Consult
109254	Load cell 30 lb	-	Consult
108516	Rechargeable battery	-	Consult

COUNTING SCALES
DMC-290



Part Number/Price

Part#	Description	Synonym	Price
67199	Rubber cord grip, scale side	-	Consult
67200	Rubber cord grip, RS-232 side	-	Consult
67201	Bracket, cord side	-	Consult
66965	Short screws (case and bracket)	-	Consult
66408	Transistor Q3 on/off	2SAC020	Consult
73459	Spider 5/10/25 lb	ZZCP-078	Consult
73445	Spider 50/100 lb	ZZCP-080	Consult
65958	Platter 10 lb and up	ZZCP-087	Consult
73446	Platter support DC-190, A type	ZZCP-088	Consult
74969	Platter support type B, DC-190 DG-2-150	-	Consult
73532	Keyboard, (new style)	Z190-006	Consult
73544	DMC-290 keysheet, DG-8-PAR	Z190-007	Consult
65966	Platform foot	Z190-021	Consult
65965	Transformer (for S-XL Platform)	Z190-040	Consult
65964	Interface board (RS-232)	Z190-054	Consult
65963	U.W. weight display tube	Z190-090	Consult
74921	Transformer 220V	-	Consult
73382	PS-100 power supply	-	Consult
73359	DMC-290 operating manual	-	Consult
65945	S-XL load cell-single type, 50 lb capacity	ZZLC-190-50	Consult
65946	S-XL load cell-single type, 25 lb capacity	ZZLC-190-25	Consult



Counting Scales



COUNTING SCALES
DMC-688

Part Number/Price

Part#	Description	Synonym	Price
74922	Keyboard,	Z688-006	Consult
74923	DMC-688 keysheet	Z688-007	Consult
76639	DMC-688 CPU board	-	Consult
73188	A/D board (pre-amp)	Z688-009	Consult
74929	DMC-688 filter	Z688-010	Consult
74925	Filter adhesive, display lens	Z688-012	Consult
76036	Platter	Z688-017	Consult
73588	Platter support	Z688-018	Consult
73589	Foot and nut	Z688-021	Consult
Components of Part #73589			
75584	Foot	-	Consult
75585	Nut	-	Consult
74927	Battery holder	Z688-040	Consult
74926	Battery cover	Z688-090041	Consult
74928	Transformer	Z688-042	Consult
73590	LCD display	Z688-090	Consult
23143	Power cord	-	Consult
73360	DMC-688 operating manual	-	Consult
83891	Load Cell 6 lb	-	Consult
83892	Load Cell 15 lb	-	Consult
83894	Load Cell 60 lb	-	Consult



Counting Scales

COUNTING SCALES
DC-180



Part Number/Price

Part#	Description	Synonym	Price
73174	RS-232 interface option	-	Consult
31784	Adjustable foot (1 lb-25 lb)	ZZCP-006	Consult
73438	Platter support (DC60-/120/130/180/DS-570)	ZZCP-010	Consult
65955	Platter 1 lb (single)	ZZCP-082	Consult
65956	Platter 2.5 lb	ZZCP-085	Consult
73516	Top cover	Z180-001	Consult
73519	Foot (50 lb)	Z180-004	Consult
73520	Battery cover	Z180-005	Consult
73521	Keyboard (requires part number 73527)	Z180-006	Consult
73522	Main board	Z180-007	Consult
73523	Pre-amplifier	Z180-008	Consult
73524	Platter (5 lb-50 lb)	Z180-009	Consult
73525	Spider (1 lb-25 lb)	Z180-010	Consult
73527	Keysheet	Z180-012	Consult
73528	Display lens	Z180-013	Consult
73529	Transformer	Z180-014	Consult
73530	Display tube	Z180-015	Consult
74974	Cover screw, battery (DC-180)	-	Consult
15438	Power cord, straight	-	Consult
66408	Transistor, on/off	-	Consult
66409	Transistor	2SC3072	Consult
60832	Diode (D150/D160)	IN4002	Consult
79509	Load cell (1 lb capacity)	ZZLC-180-1	Consult
79510	Load cell (2.5 lb capacity)	ZZLC-180-2.5	Consult
79511	Load cell (5 lb capacity)	ZZLC-180-5	Consult
73456	Load cell (10 lb capacity)	ZZLC-180-10	Consult
79512	Load cell (25 lb capacity)	ZZLC-180-25	Consult
79513	Load cell (50 lb capacity)	ZZLC-180-50	Consult
73349	Operating manual	-	Consult
73350	Operators quick guide	-	Consult
75315	Cable, null modem (DC-180), 9 pin to 8 pin diameter	-	Consult
73375	Connector socket 14 pin	-	Consult
32375	14 pin load cell connector male	-	Consult

Discontinued

COUNTING SCALES
DC-19/IQ9500

Counting Scales

Part Number/Price

Part#	Description	Synonym	Price
15438	AC power cord (SX-L/D power cord)	-	Consult
67199	Rubber cord grip, scale side	-	Consult
67200	Rubber cord grip, RS-232 side	-	Consult
67201	Bracket, cord side	-	Consult
66965	Short screws (case and bracket)	-	Consult
66408	Transistor Q3 on/off	ZSA1020	Consult
75012	Spider 25 lb (192D)	ZZCP-074	Consult
73459	Spider 5/10/25 lb	ZZCP-078	Consult
73445	Spider 50/100 lb	ZZCP-080	Consult
65955	Platter 1 lb (single)	ZZCP-083	Consult
65956	Platter 2.5 lb	ZZCP-085	Consult
65958	Platter 10 lb and up	ZZCP-087	Consult
65959	Platter 25 lb (192D)	ZZCP-075	Consult
73446	Platter support DC-190	ZZCP-088	Consult
74969	Platter support type B, DC-190	-	Consult
73531	Keysheet, DC-190 (overlay)	Z190-005	Consult
73532	Keyboard, New style- two dip switches	Z190-006	Consult
73533	Main board, FLASH (new style) specify software version	-	Consult
65966	Platform fleet	Z190-021	Consult
65965	Transformer (for S-XL Platform)	Z190-040	Consult
65964	Interface board (RS-232)	Z190-054	Consult
65963	U.W. weight display tube	Z190-090	Consult
74921	Transformer 220V (for base) (add fuse 16443 to convert)	-	Consult
73382	PS-100 power supply, 12VDC 1000 mA	-	Consult
73352	DC-190 operating manual (with technical detail)	-	Consult
65946	S-XL load cell - single/dual type, (25 lb capacity)	ZZLC-190-25	Consult
65945	S-XL load cell - single type, (50 lb capacity)	ZZLC-190-50	Consult
65332	Battery switch on/off cover	-	Consult
103652	S-XL cable assembly	-	Consult
32375	14 pin Digi [®] connectors, male	-	Consult
73375	14 pin Digi connectors, female	-	Consult



Dual Platform



Single Platform

COUNTING SCALES
DC-100/200/300

Discontinued

Part Number/Price

Part#	Description	Synonym	Price
15438	AC power cord	44012405300100	Consult
82224	Foot (each)	44012403400100	Consult
82225	Display filter	4401249090100	Consult
82226	Keyboard DC200/300	4301190901600	Consult
82228	A/D convertor board	43001190901400	Consult
76065	RS-232, Ethernet board	40303200040220	Consult
65955	Platter (1 lb)	40303200040320	Consult
65956	Platter (2.5 lb)	40302900612120	Consult
82248	Platter (5 lb)	41900950000300	Consult
82249	Platter (10 lb, 25 lb, 50 lb)	43000908800100	Consult
82240	Spider (1 lb)	40302900600320	Consult
82241	Spider (50 lb)	41000108800200	Consult
82252	Spider (10 lb and 25 lb)	40302900280140	Consult
82250	Spider damper (1 lb)	40302900280240	Consult
82255	Spider support (50 lb)	43000160000900	Consult
82242	Load cell (5 lb capacity)	44012460200100	Consult
82243	Load cell (10 lb capacity)	43001160200300	Consult
82244	Load cell (25 lb capacity)	44012460200300	Consult
82245	Load cell (50 lb capacity)	44012490902700	Consult
82247	Display controller board	43001090901000	Consult
115304	Side cover	-	Consult
115305	Thumbscrew for side cover	-	Consult
DC-100			
55853	Rechargeable battery	-	Consult
DC-200			
82257	DC-200 power converter board	44013190901700	Consult
96253	DC-200 keysheet overlay	43001005100200	Consult
55853	Rechargeable battery	-	Consult
DC-300			
76073	Label roll (60 mm x 55 mm)	-	Consult
76074	Label roll (60 mm x 95 mm)	-	Consult
76075	Label roll (60 mm x 120 mm)	-	Consult
76076	Receipt paper roll	-	Consult
82227	DC-300 main board	43001190900900	Consult
82229	DC-300 keyboard overlay	43001105100201	Consult
82230	DC-300 power supply board	12PNPWU0ZD75TS	Consult
82246	DC-300 thermal head	44012490968800	Consult
101387	Media supply hub, white spool	44012407402801	Consult

DC-100

DC-200

DC-300

Counting Scales





COUNTING SCALES
DC-688

Part Number/Price

Part#	Description	Synonym	Price
73586	Keysheet	Z688-005	Consult
74922	Keyboard	Z688-006	Consult
73188	A/D board (pre-amp)	Z688-009	Consult
74925	Filter adhesive, for display lens	Z688-012	Consult
73587	DC-688, display overlay	Z688-013	Consult
76036	Platter	Z688-017	Consult
73588	Platter support	Z688-018	Consult
73589	Foot	Z688-021	Consult
Components of Part #73589			
75584	Foot	-	Consult
75585	Nut	-	Consult
74927	Battery holder	Z688-040	Consult
74926	Battery cover	Z688-090041	Consult
74928	Transformer	Z688-042	Consult
73590	LCD display	Z688-090	Consult
23143	Power cord	-	Consult
73353	DC-688 operating manual	-	Consult
83892	Load cell, 15 lb	-	Consult
83893	Load cell, 30 lb	-	Consult
83894	Load cell, 60 lb	-	Consult



Counting Scales

COUNTING SCALES
DC-530

Discontinued

Part Number/Price

Ref#	Part#	Description	Synonym	Price
1	97002	Platter	43002907000101	Consult
2	97003	Support, no rubber support	43002908801105	Consult
	97006	Overlay lens	43002903400102	Consult
	97007	Display board	43002905100302	Consult
32	97008	Load cell block, 10 lb, 30 x 22y06NB0050	-	Consult
32	97009	Load cell block, 20 lb, 30 x 22y06NB0100	-	Consult
	97010	A/D assembly	43002990900600	Consult
	97011	Power supply	T2PTWUOSWT400	Consult
	97012	Main CPU board	4300299090900100	Consult
	15438	Power cord	-	Consult

Counting Scales

