

# BenchMark<sup>®</sup> HE-X

WASHDOWN BENCH SCALE



**RICE LAKE<sup>®</sup>**  
WEIGHING SYSTEMS

800-472-6703  
[www.ricelake.com](http://www.ricelake.com)

WASHDOWN BENCH SCALE

# Bench Scale Built for Hostile Environments

Equipment used in corrosive or highly sanitary environments needs a strong defense against microscopic pathogens. Rice Lake's BenchMark™ HE-X bench scale was built for extremely hostile environments. Designed to meet strict sanitary design principles, the BenchMark HE-X provides the ultimate washdown capability.

## Heavy-Duty Protection

Built for highly sanitary environments, the BenchMark HE-X frame is made from 304 stainless steel plates connected with continuous welds. An IP69K hermetically sealed load cell is safe from chemicals and bacteria and has five-point overload protection. The scale is made with an open design and no exposed threads so product and bacteria have no place to hide. The BenchMark HE-X is easy to clean, and because of its heavy steel frame, it won't be pushed around during high-pressure washdown. A heavy-duty frame and load cell, combined with an easily removable cover, make this scale perfect for extreme sanitary conditions.



# Rice Lake's BenchMark HE-X features are designed for strict sanitary washdown environments.

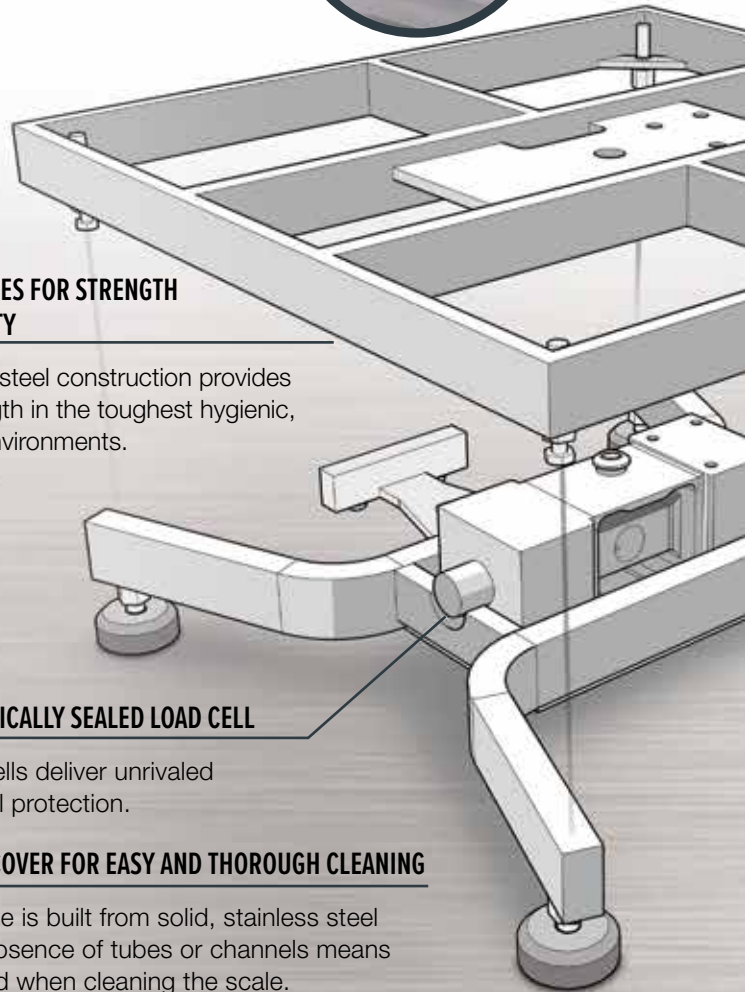
## **MICROBIAL PROTECTION WITH CONTINUOUS WELDS ON SOLID BEAMS**

Continuous welds on the solid base plates follow strict sanitary design principles.



## **STACKED FRAMES FOR STRENGTH AND DURABILITY**

304 stainless steel construction provides rugged strength in the toughest hygienic, washdown environments.



## **IP69K HERMETICALLY SEALED LOAD CELL**

IP69K load cells deliver unrivaled environmental protection.

## **REMOVEABLE COVER FOR EASY AND THOROUGH CLEANING**

The scale base is built from solid, stainless steel plates. The absence of tubes or channels means peace of mind when cleaning the scale.



## **NON-SLIP, ADJUSTABLE FEET PREVENT SLIDING ON MOST SURFACES**



# BenchMark<sup>®</sup> HE-X

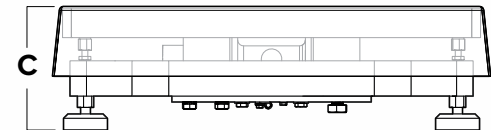
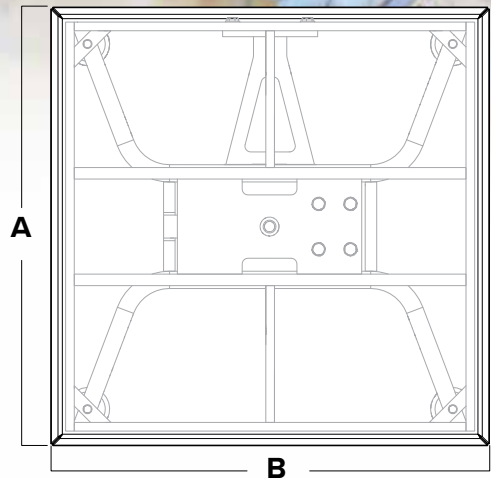
## WASHDOWN BENCH SCALE

The BenchMark HE-X is available in standard sizes of 12 x 18 up to 24 x 24 inches and capacities ranging from 50 to 1,000 pounds. Rice Lake can create custom sizes and capacities for unique applications.

BenchMark HE-X is part of a family of products that include the RoughDeck QC-X floor scale and the CW-90X checkweigher specifically designed for washdown environments.

### STANDARD FEATURES

- 304 stainless steel frame and cover with continuous welds
- Rugged washdown design
- Stainless steel IP69K load cell
- Meets Sanitary Design Principles



Dimensions		
A	B	C
24 in	24 in	5.25 in
24 in	18 in	5.25 in
18 in	18 in	5.25 in
18 in	12 in	5.25 in



### CW-90X Indicator

Complete your BenchMark HE-X scale with a CW-90X indicator. Built to withstand rough handling and extreme washdown requirements, the CW-90X indicator is the ideal match for the BenchMark HE-X.

Your Rice Lake Weighing Systems distributor is:

**RICE LAKE**  
WEIGHING SYSTEMS

230 W. Coleman St. • Rice Lake, WI 54868 • USA  
TEL: 715-234-9171 • FAX: 715-234-6967 • [www.ricelake.com](http://www.ricelake.com)

An ISO 9001 registered company • Specifications subject to change without notice.  
© 2018 Rice Lake Weighing Systems PN 193754 en-US REV-A 1/18