

# Checkweighers

## TABLE OF CONTENTS

<b>IQ PLUS® 2100 DIGITAL BENCH SCALE</b> .....	<b>58</b>
<i>2100 Base Assembly</i>	
<b>IQ PLUS® 2100/2100SL DIGITAL BENCH SCALE</b> .....	<b>59</b>
<i>Tilt Stand Assembly</i>	
<b>IQ PLUS® 2100/2100SL DIGITAL BENCH SCALE</b> .....	<b>60</b>
<i>Attachment Bracket Assembly</i>	
<b>IQ PLUS® 2100/2100SL DIGITAL BENCH SCALE</b> .....	<b>61</b>
<i>Column Assembly</i>	
<b>IQ PLUS® 2100/2100SL AND IQ PLUS INDICATOR</b> .....	<b>62</b>
<i>Backplate &amp; Tilt Stand Assembly</i>	
<b>IQ PLUS® 2100/2100SL AND IQ PLUS INDICATOR</b> .....	<b>63</b>
<i>CPU Board and Enclosure</i>	
<b>CW-90/CW-90X</b> .....	<b>64</b>
<b>SURVIVOR® CW-80</b> .....	<b>66</b>
<i>Indicator &amp; Column Assemblies</i>	
<b>SURVIVOR® CW-80</b> .....	<b>68</b>
<i>10 x 10 in Base Assembly</i>	
<b>SURVIVOR® CW-80</b> .....	<b>70</b>
<i>12 x 12 in Base Assembly</i>	
<b>SURVIVOR® CW-80</b> .....	<b>72</b>
<i>18 x 18 in, 18 x 24 in, 24 x 24 in Base Assembly</i>	

CHECKWEIGHERS

# IQ plus® 2100 Digital Bench Scale

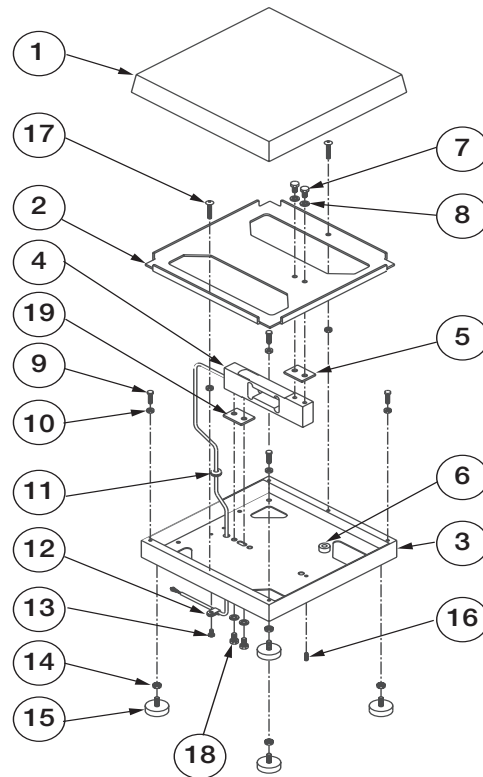
2100 Base Assembly



## Part Number/Price

Ref#	Part#	Description	Price
1	51332	Platter, 10 in x 10 in	Consult
1	105457	Platter, 12 in x 12 in	Consult
2	50880	Spider plate, 10 in x 10 in	Consult
2	51335	Spider plate, 12 in x 12 in	Consult
3	50881	Base, 10 in x 10 in (5 lb model)	Consult
3	63233	Base, 10 in x 10 in (10 & 25 lb models)	Consult
3	63430	Base, 12 in x 12 in	Consult
4	40957	Load cell, RL 1042, 10 in x 10 in (5 lb model)	Consult
4	40959	Load cell, RL 1042, 10 in x 10 in (10 lb model)	Consult
4	40961	Load cell, RL 1042, 10 in x 10 in (25 lb model)	Consult
4	40962	Load cell, RL 1042, 12 in x 12 in (50 lb model)	Consult
4	40964	Load cell, RL 1042, 12 in x 12 in (100 lb model)	Consult
5	35082	Upper load cell shim, 10 in x 10 in	Consult
5	52383	Upper load cell shim, 12 in x 12 in	Consult
6	15410	Bubble level	Consult
7	21948	Cap screws, 1/4-20 NC x 5/8	Consult
8	15148	Lock washers, 1/4	Consult
9	52341	Overload protection cap screws, 10-32 NF x 3/4	Consult
10	39025	Nuts, 10-32 NF hex, 18-8	Consult
11	15408	Rubber grommet, 3/16 ID	Consult
12	15409	Cable clamp, No. 8	Consult
13	14862	Machine screw, 8-32 NC x 3/8	Consult
14	14645	Jam nuts, 1/4-20 NC hex, SS	Consult
15	35128	Scale feet, 1/4-20 NC x 1 3/16	Consult
17	63170	Lift-up protection machine screws, 10-32 NF x 1 1/4	Consult
18	14963	Cap screws, 1/4-20 NC x 3/4	Consult
19	52383	Lower load cell shim	Consult

For IQ plus 2100SL base assembly, please refer to page 22 (Benchmark SL Series)



IQ plus 2100-A

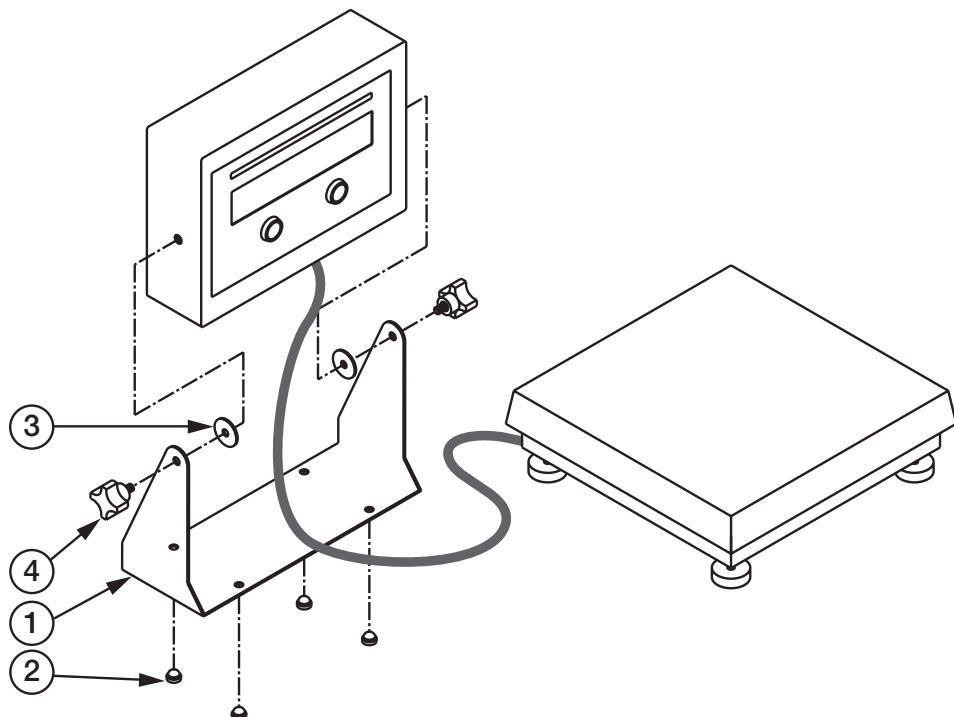
# IQ plus® 2100/2100SL Digital Bench Scale

Tilt Stand Assembly

## Part Number/Price

Ref#	Part#	Description	Price
1	29635	Tilt stand	Consult
2	42149	Tilt stand feet	Consult
3	15144	Nylon washers, 1/4 x 1 x 1/16	Consult
4	68403	Wing knobs	Consult

(See Diagram IQ plus 2100-B)



IQ plus 2100-B

Checkweighers

CHECKWEIGHERS

# IQ plus® 2100/2100SL Digital Bench Scale

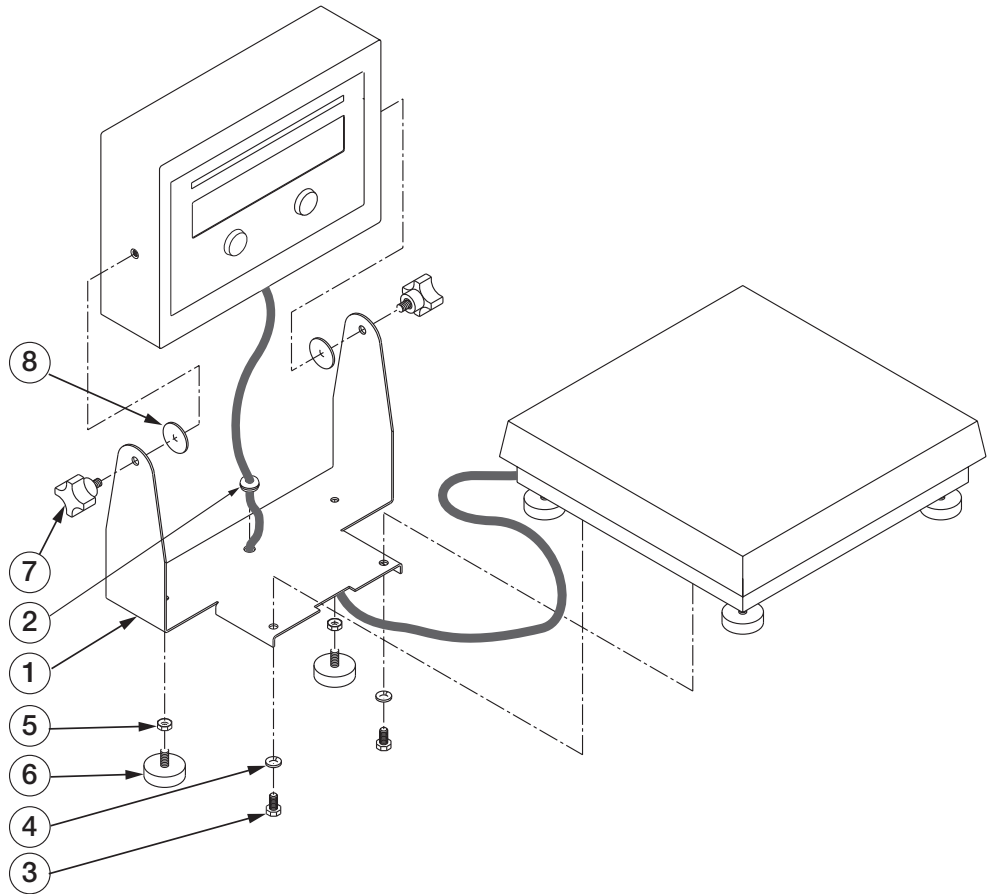
Attachment Bracket Assembly



## Part Number/Price

Ref#	Part#	Description	Price
1	50879	Attachment bracket	Consult
2	15408	Rubber grommet, 3/16 ID	Consult
3	14956	Cap screws, 1/4-20NC x 1/2	Consult
4	15148	Lock washers, 1/4	Consult
5	14645	Jam nuts, 1/4-20NC hex, SS	Consult
6	35128	Bench scale feet, 1/4-20NC	Consult
7	68403	Wing knobs	Consult
8	15144	Nylon washers, 1/4 x 1 x 1/16	Consult

(See Diagram IQ plus 2100-C)



IQ plus 2100-C

Checkweighers

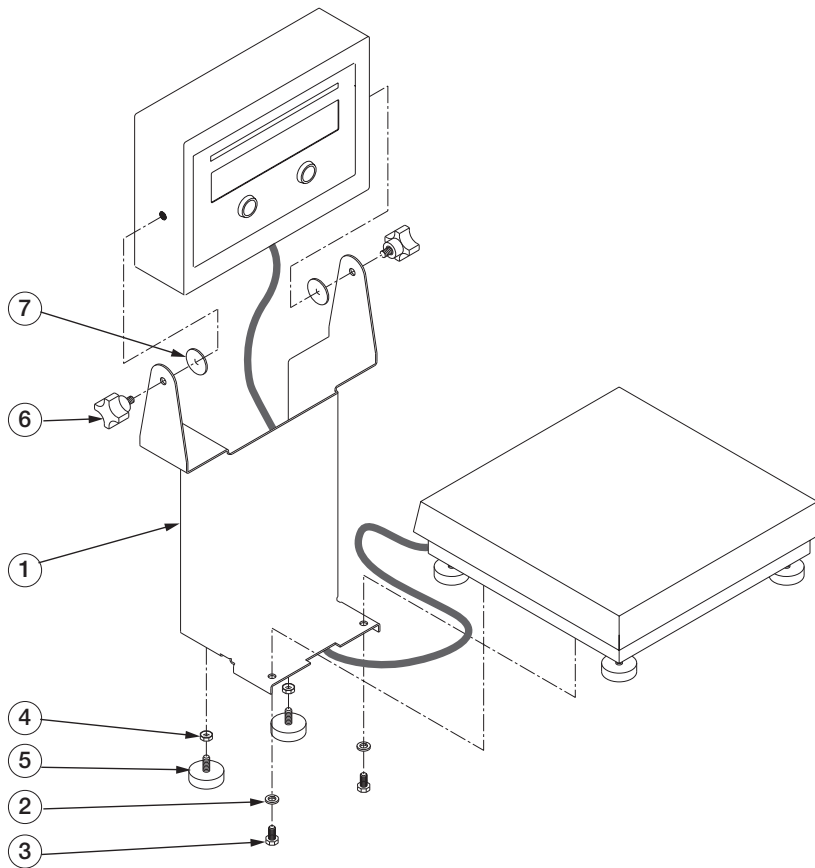
# IQ plus® 2100/2100SL Digital Bench Scale

Column Assembly

## Part Number/Price

Ref#	Part#	Description	Price
1	105453	12 in column	Consult
2	15148	Lock washers, 1/4	Consult
3	14956	Cap screws, 1/4-20 NC x 1/2	Consult
4	14645	Jam nuts, 1/4-20 NC hex, SS	Consult
5	35128	Bench scale feet, 1/4-20 NC	Consult
6	68403	Wing knobs	Consult
7	15144	Nylon washers, 1/4 S 1 x 1/16	Consult

(See Diagram IQ plus 2100-D)



IQ plus 2100-D



CHECKWEIGHERS

# IQ plus® 2100/2100SL and IQ plus Indicator

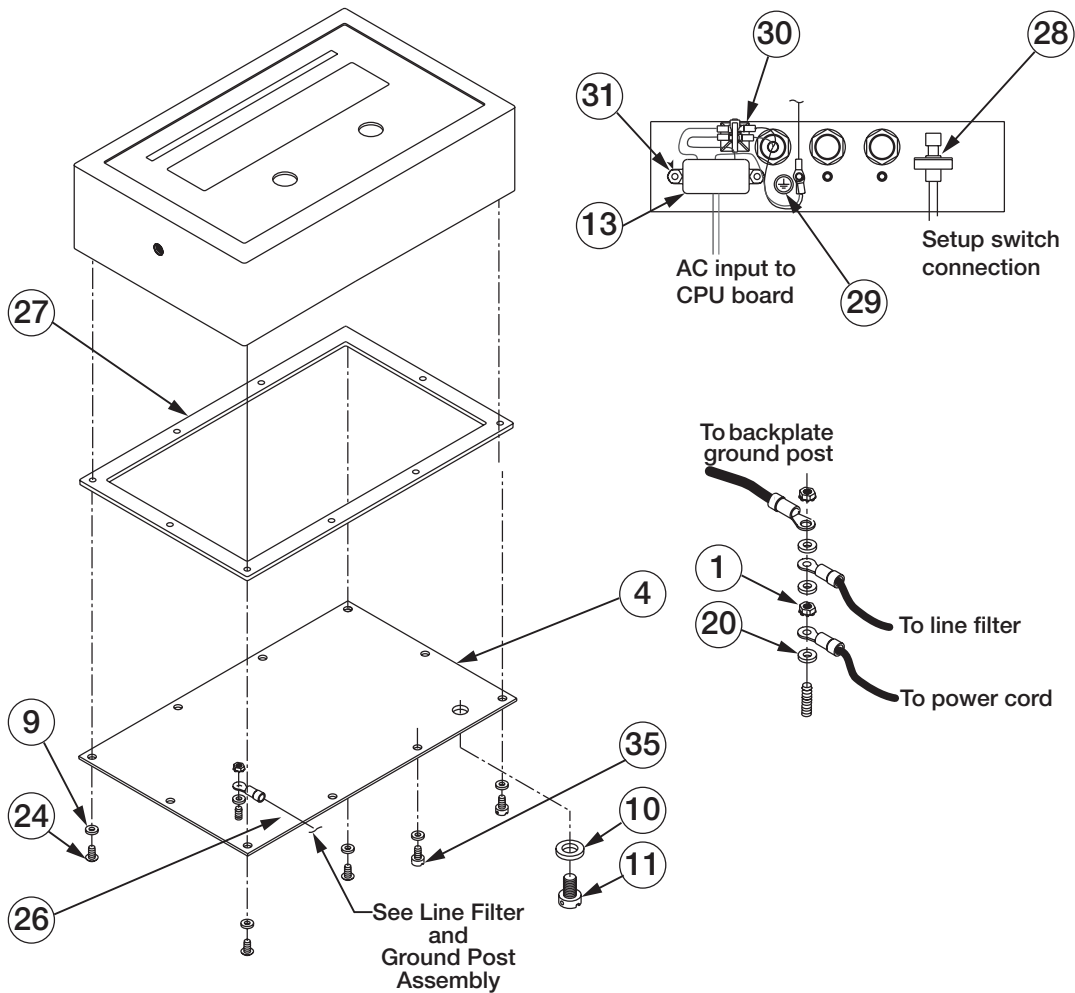
Backplate & Tilt Stand Assembly



## Part Number/Price

Ref#	Part#	Description	Price
1	14626	Nuts, kep, 8-32 NC hex	Consult
4	52483	Enclosure backplate	Consult
9	45042	Sealing washers	Consult
10	44676	Sealing washer for setup switch access screw	Consult
11	42640	Setup switch access screw, 1/4 x 28NF x 1/4	Consult
13	41964	Line filter assembly	Consult
20	15134	Lock washers, internal tooth, No. 8, Type A	Consult
24	14862	Screws, 8-32 NC x 3/8	Consult
26	45043	Ground wire, 4 in, no. 8	Consult
27	39037	Backplate gasket	Consult
28	49910	Setup switch assembly	Consult
29	16892	Ground/earth label	Consult
30	15650	Cable tie mounts	Consult
31	45302	Line filter standoffs	Consult
35	30623	Fillister head screws, 8-32 NC x 7/16	Consult

(See Diagram IQ plus 210-A)



Checkweighers

IQ plus 210-A

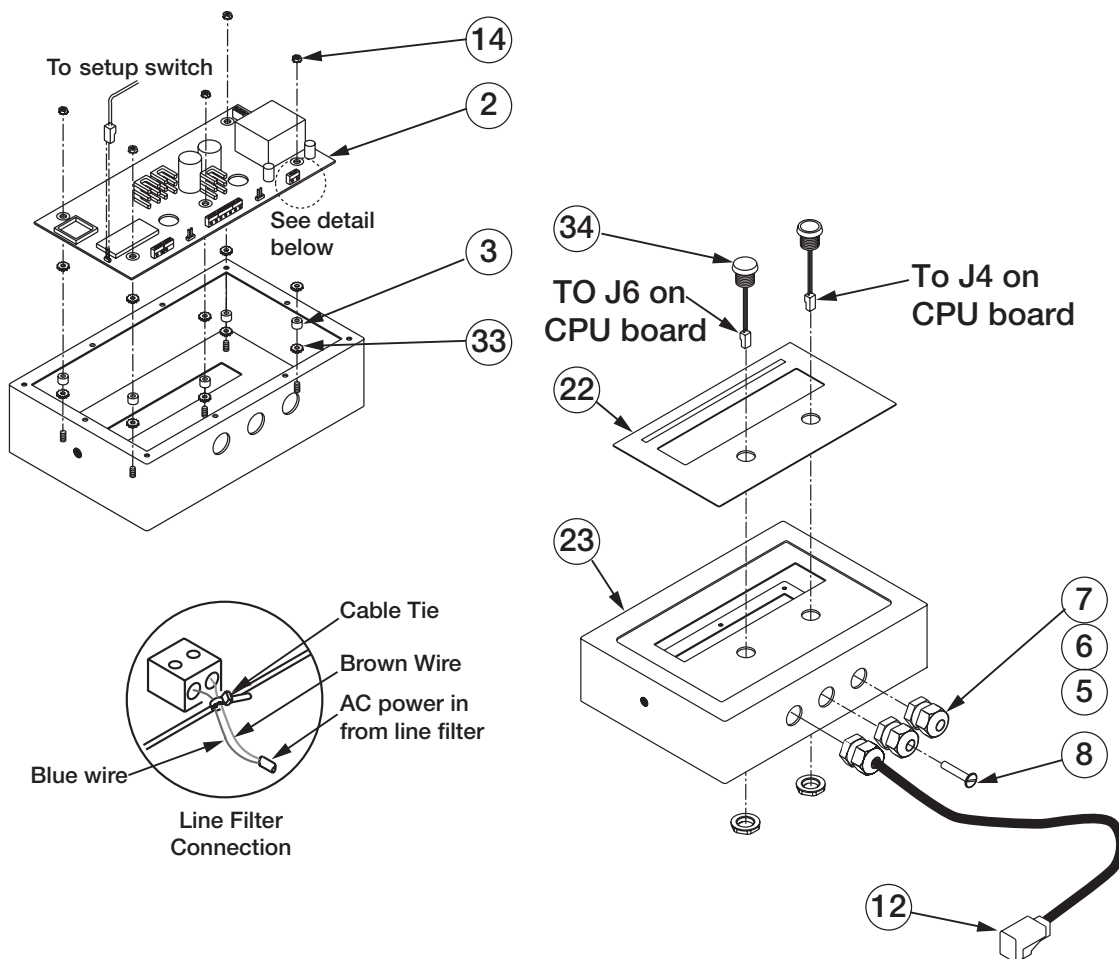
# IQ plus® 2100/2100SL and IQ plus Indicator

CPU Board and Enclosure

## Part Number/Price

Ref#	Part#	Description	Price
2	53651	Display and CPU board assembly, 115VAC	Consult
2	53650	Display and CPU board assembly, 230VAC	Consult
3	15365	Board mounting spacers	Consult
5	15626	Cable grips, PG9	Consult
6	30375	Nylon seal rings for cable grips	Consult
7	15627	Locknuts, PCN9	Consult
8	19538	Cable grip plugs	Consult
12	41965	Power cord assembly, 115VAC	Consult
12	45254	Power cord assembly, 230VAC	Consult
14	14621	Keyp nuts, 6-32 NC hex	Consult
22	52853	Overlay membrane panel	Consult
23	52482	Enclosure	Consult
33	15131	Lock washers, external tooth, no. 6, Type A	Consult
34	71014	Piezo switches, non-tactile feed back	Consult
	53848	Fuse 200 mA 115VAC	Consult
	53881	Fuse 100 mA 230VAC	Consult

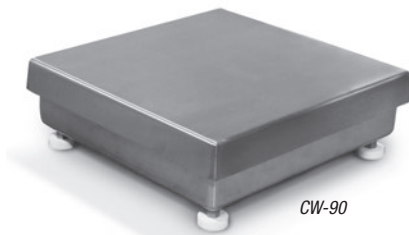
(See Diagram IQ plus 210-B)



IQ plus 210-B

Checkweighers

CHECKWEIGHERS  
**CW-90/CW-90X**



CW-90



CW-90X

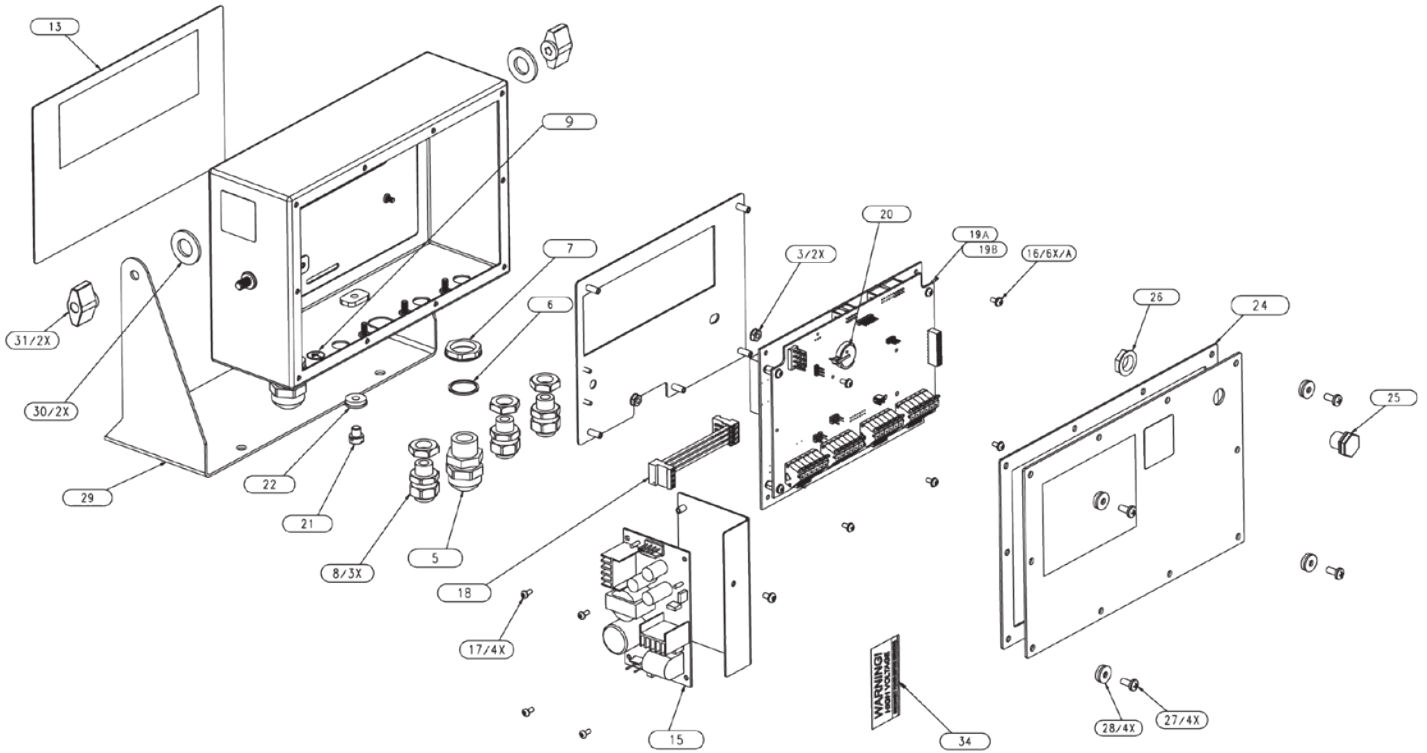
**Part Number/Price**

Ref#	Part#	Description	Price
<b>CW-90X Load Cells</b>			
	<b>107174</b>	RLPWM15HE 10 kg (5 lb and 10 lb scale)	Consult
	<b>107175</b>	RLPWM15HE 20 kg (25 lb scale)	Consult
	<b>107176</b>	RLPWM15HE 50 kg (50 lb scale)	Consult
	<b>107177</b>	RLPWM15HE100 kg (100 lb scale)	Consult
<b>CW-90 Load Cells</b>			
	<b>107756</b>	RL1040 7 kg (5 lb scale)	Consult
	<b>107757</b>	RL1040 10 kg (10 lb scale)	Consult
	<b>107758</b>	RL1040 30 kg (25 lb scale)	Consult
	<b>107759</b>	RL1040 50 kg (50 lb scale)	Consult
	<b>107760</b>	RL1040 100 kg (100 lb scale)	Consult
	<b>107476</b>	Bench scale foot	Consult
	<b>106101</b>	Assembled CPU and display board	Consult
	<b>105555</b>	Coupling nut for feet and overload stops	Consult
	<b>105945</b>	Parts kit, CW-90/90X (1)	Consult
3	<b>14621</b>	Nut, Kep 6-32 NC hex (2)	Consult
4	<b>85202</b>	Power cord assembly, 120VAC (1)	Consult
4	<b>85203</b>	Power cord assembly, 230VAC (1)	Consult
5	<b>68600</b>	Cord grip, PG11 (1)	Consult
6	<b>68599</b>	Seal ring, nylon PG11 (1)	Consult
7	<b>68601</b>	Nut, PG11 (1)	Consult
8	<b>58983</b>	Cable grip, SL-7 with nut (3)	Consult
9	<b>16892</b>	Label, earth ground (1)	Consult
10	<b>15134</b>	Washer, Lock no. 8 type A (3)	Consult
11	<b>14626</b>	Nut, Kep 8-32 NC hex (3)	Consult
12	<b>45043</b>	Wire, ground 4 in W/No.8 (1)	Consult
13	<b>104914</b>	Overlay, membrane switch (CW-90)	Consult
13	<b>104915</b>	Overlay, piezo (CW-90X)	Consult
15	<b>76556</b>	Power supply, switching (1)	Consult
16	<b>14822</b>	Screw, MACH 4-40 NC x 1/4 (6)	Consult
17	<b>14825</b>	Screw, MACH 4-40 NC x 1/4 (4)	Consult
18	<b>105976</b>	Cable assembly, power supply (1)	Consult
19A	<b>102354</b>	CPU (1) (battery p/n 69291 not included)	Consult
19A	<b>120084</b>	CPU CW-90, with battery	Consult
19B	<b>105741</b>	Display (1)	Consult
20	<b>69291</b>	Battery, 3V coin lithium (1)	Consult
21	<b>42640</b>	Screw, MACH 1/4-28 NF X 1/4 (1)	Consult
22	<b>44676</b>	Washer, bonded sealing (1)	Consult
24	<b>84388</b>	Gasket, backplate 420 (1)	Consult
25	<b>182479</b>	Vent, breather sealed (1)	Consult
26	<b>182480</b>	Nut, breather vent (1)	Consult
27	<b>14862</b>	Screw, MACH 8-32 NC x 3/8 (4)	Consult
28	<b>45042</b>	Washer, bonded sealing SST (4)	Consult
29	<b>29635</b>	Stand, tilt SST (1)	Consult
30	<b>103988</b>	Washer, nylon .52 10 x (2)	Consult
31	<b>103610</b>	Knob, black 1/4-20 (2)	Consult
34	<b>16861</b>	Label, warning high (1)	Consult

(See Diagram CW-90/90X)



CHECKWEIGHERS  
**CW-90/CW-90X**



*CW-90/90X Indicator*

Checkweighers

CHECKWEIGHERS

# SURVIVOR® CW-80

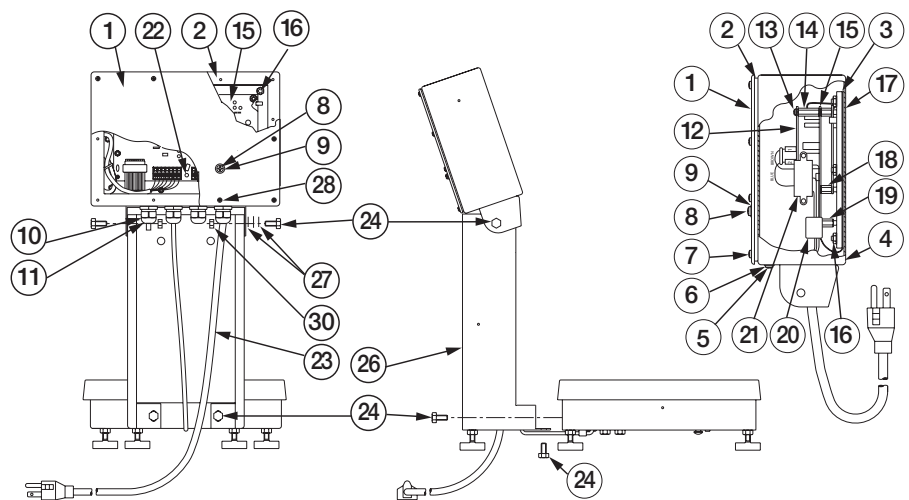
Indicator & Column Assemblies



## Part Number/Price

Ref#	Part#	Description	Price
	47966	Shield, high-voltage	Consult
	31594	Cable assembly, power supply	Consult
	30907	Indicator stand/wall-mount bracket	Consult
	15671	Cable grip, 1/4 NPT, battery backup box	Consult
	30330	Enclosure, battery backup box	Consult
	15664	Reducing gland, 9 mm x 3/8 NPT	Consult
	30375	Seal ring, nylon	Consult
	15627	Lock nut, cord grips	Consult
	15134	Lock washer, #8	Consult
	15369	Line filter standoff, female 6-32 NC x 3/4	Consult
	16892	Ground/earth label	Consult
	32292	Guide tube	Consult
	45043	Wire, ground, 4 in	Consult
	35993	115 VAC fuse, 250 mA (2)	Consult
1	71346	Backplate (10 hole design)	Consult
2	65888	Gasket, rear panel (16 hole design)	Consult
3	30341	Gasket, front panel	Consult
5	22086	Screw, 6-32 NC x 1/4 Phillips pan head, SS	Consult
6	30625	Washer, plain #8 nylon	Consult
7	14862	Black plate gasket screw, 8-32 NC x 3/8 Phillips pan head	Consult
7	45042	Washer, black plate gasket screw	Consult
8	32365	Screw, 1/4-20 NC x 1/4 drilled fillister, sealing screw	Consult
9	44676	Washer, bonded sealing, #14	Consult
10	15626	Cord grip assembly, PG9	Consult
11	19538	Plug, post screw	Consult
11	71349	Breathing filter	Consult
12	31294	Power supply board, 115VAC	Consult
12	31295	Power supply board, 230VAC	Consult
12	31701	Power supply board, 115VAC w/BBU charging circuit & TTL	Consult

All replacement indicators feature stainless steel construction and are NEMA Type 4X/IP66 rated  
(See CW-80-A)



CW-80-A

Checkweighers

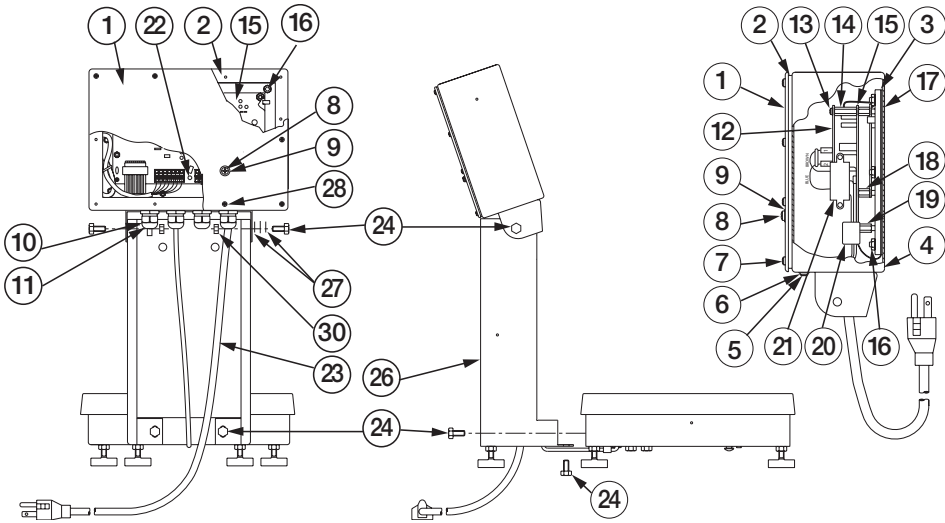
CHECKWEIGHERS  
**SURVIVOR® CW-80**  
 Indicator & Column Assemblies



**Part Number/Price**

Ref#	Part#	Description	Price
	35994	Fuse, 230	Consult
	35993	Fuse, 110	Consult
	32719	Transformer	Consult
13	14831	Screw, MACH 4-40 NC x 5/16 Phillips pan head, locking	Consult
14	31597	Standoff, male-female, 4-40 NC x 3/4 1/4 hex, steel	Consult
	42695	IC, EEPROM, SMT HN58C256FP, D8	Consult
16	14626	Nut, Kep 8-32 hex external tooth lock washer	Consult
18	15388	Standoff, male-female 4-40 NC x 3/8 1/4 hex, steel	Consult
19	31596	Standoff, male-female 4-40 NC x 7/16 1/4 hex, steel	Consult
20	15650	Cable tie mount	Consult
	15631	3 in nylon tie	Consult
21	32184	Line filter assembly (old style)	Consult
21	47764	Line filter assembly (new style)	Consult
22	31595	Support, for circuit board	Consult
23	41965	Power cord assembly, 115VAC	Consult
23	45254	Power cord assembly, 230VAC	Consult
24	14956	Bolt, 1/4-20 hex head	Consult
26	30208	Column, 30 in (only for 18 x 18 base or larger)	Consult
26	30207	Column, 24 in	Consult
26	30206	Column, 18 in	Consult
26	30205	Column, 12 in	Consult
27	15148	Washer, lock	Consult
28	30623	Screw, 8-32 NC x 7/16 slotted fillister, SS	Consult
30	14634	Nut, lock, 1/4-20 NC hex	Consult

(See Diagram CW-80-A)



CW-80-A

Checkweighers

CHECKWEIGHERS

# SURVIVOR® CW-80

10 x 10in Base Assembly

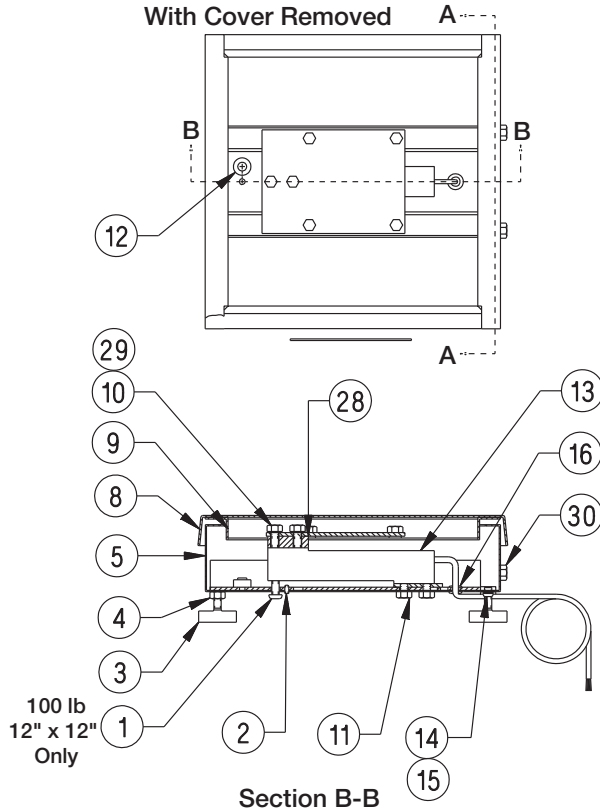


## Part Number/Price

Ref#	Part#	Description	Price
	40543	Operating manual	Consult
2	14920	Screw, overload protection, 8-32 NC x 1/4	Consult
3	35128	Foot, 1/4-20 NC	Consult
4	14645	Jam nut, foot	Consult
5	19086	Bottom subassembly	Consult
7	16863	Label, bench scale	Consult
8	19091	Cover, top, 10 in x 10 in	Consult
9	19088	Top sub-assembly	Consult
10	15148	Washer, lock, #8 SS	Consult
11	14963	Screw, cap, 1/4-20 NC x 3/4	Consult
12	15410	Spirit level bubble, plastic	Consult
13	30783	Load cell, RL1380, 7 kg (6 lb model)	Consult
13	30782	Load cell, RL1380, 10 kg (10 lb model)	Consult
13	30781	Load cell, RL1380, 15 kg (15 lb model)	Consult
13	30780	Load cell, RL1380, 30 kg (30 lb model)	Consult
14	15132	Washer, lock, #8 SS	Consult
15	14857	Screw, pan head	Consult
16	15408	Grommet, rubber, 3/16 ID	Consult
17	16141	Cable tie	Consult
18	14984	Bolt, overload spring (6-15 lb models)	Consult
18	21947	Bolt, overload spring (30 lb model)	Consult

(See Diagram CW-80-B)

Top View Of Scale  
With Cover Removed



CW-80 B

CHECKWEIGHERS  
**SURVIVOR® CW-80**  
 10 X 10in Base Assembly

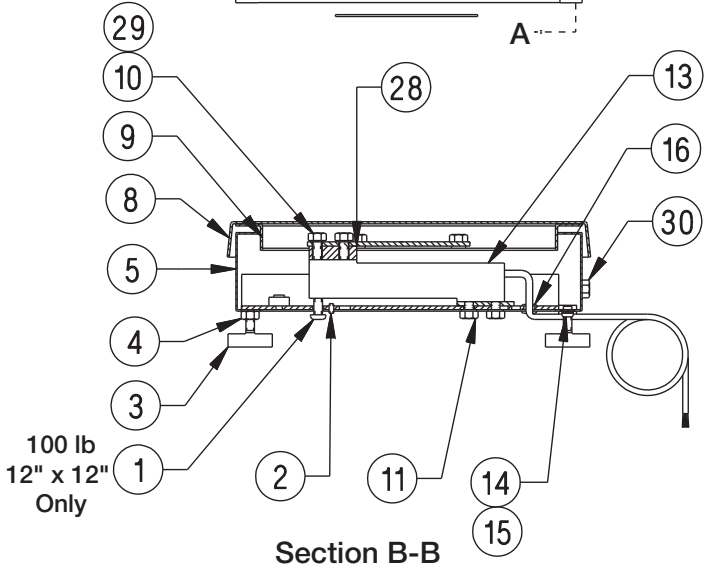
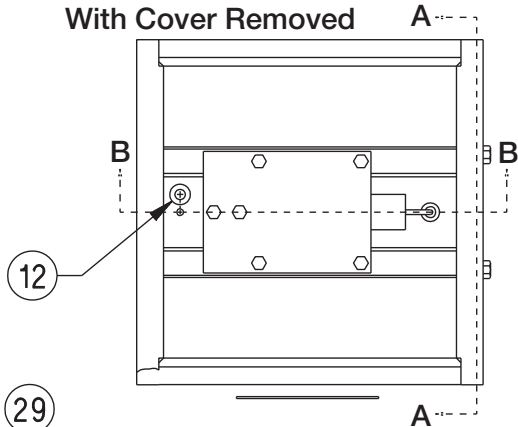
**Part Number/Price**

Ref#	Part#	Description	Price
19	21945	Spring, overload (6 lb model)	Consult
19	15416	Spring, overload (10 lb model)	Consult
19	21946	Spring, overload (15 lb model)	Consult
19	21944	Spring, overload (30 lb model)	Consult
20	15149	Washer, flat, SS	Consult
21	14634	Nut, nylon insert, 1/4-20NC, SS	Consult
22	35082	Shim, load cell	Consult
23	15409	Clamp, nylon cable	Consult
25	15150	Washer, sealing, 5/16	Consult
26	15138	Washer #8 SS	Consult
27	14862	Screw, cable clamp, 8-32 NC x 3/8	Consult
<b>OIML Models</b>			
13	30780	Load cell, RL1380, 30 kg (15 kg model)	Consult
24	19090	Load plate	Consult

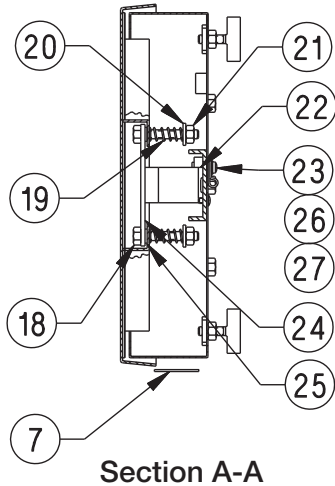
(See Diagram CW-80-B)



**Top View Of Scale  
 With Cover Removed**



CW-80 B



**Checkweighers**

CHECKWEIGHERS

# SURVIVOR® CW-80

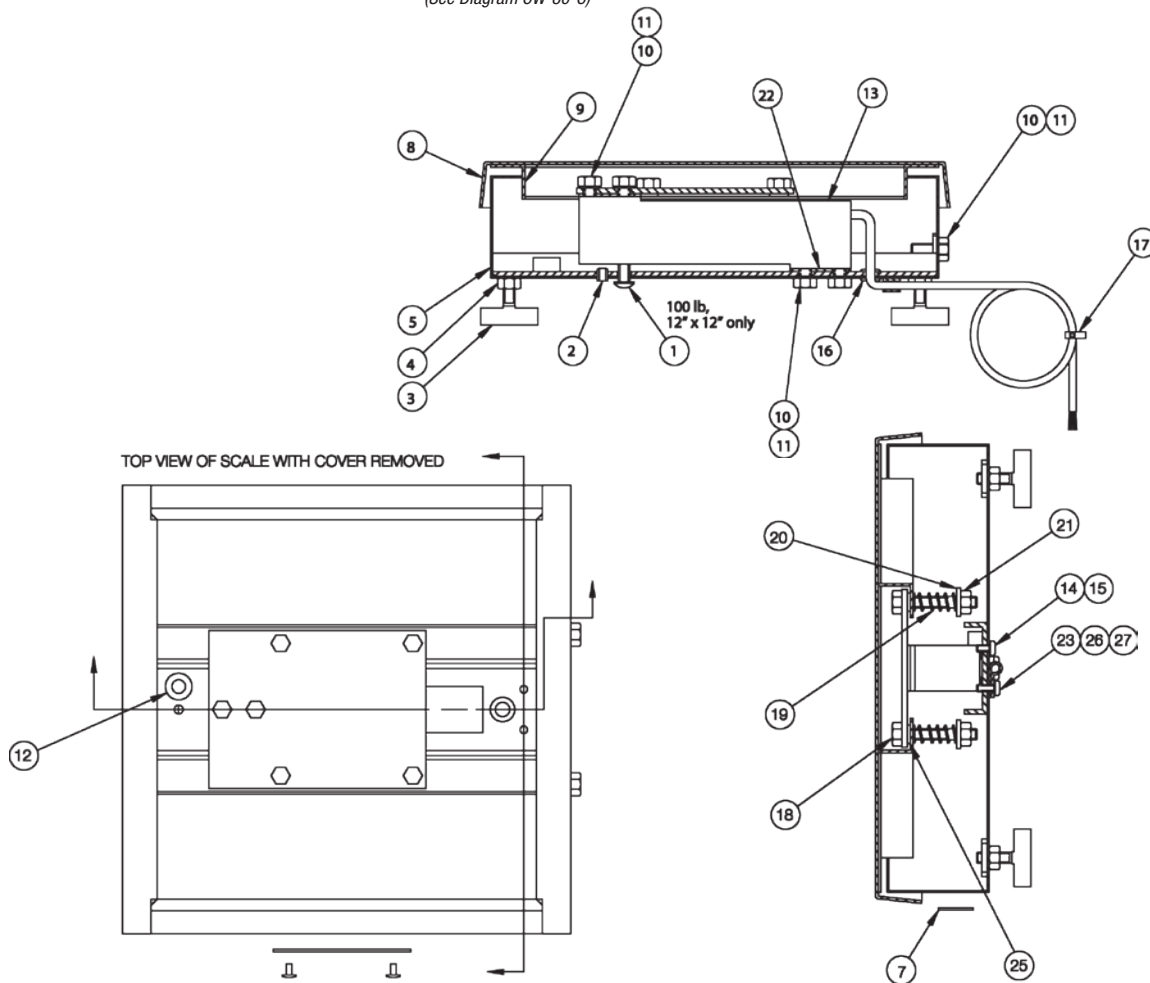
12 x 12in Base Assembly



## Part Number/Price

Ref#	Part#	Description	Price
	40543	Operating manual	Consult
1	14951	Screw, cap, 1/4-28 NF x 3/8 (100 lb only)	Consult
2	14920	Screw, overload protection, 8-32 NC x 1/4	Consult
3	35128	Foot, 1/4-20 NC	Consult
4	14645	Jam nut, foot	Consult
5	35066	Bottom sub-assembly	Consult
7	16863	Label, bench scale (30 and 60 lb models)	Consult
8	35069	Cover, top, 12 in x 12 in	Consult
9	35068	Top sub-assembly	Consult
10	15148	Washer, lock, #8 SS	Consult
11	14963	Screw, cap, 1/4-20 NC x 3/4 (30 and 60 lb)	Consult
11	14956	Screw, cap, 1/4-20 NC x 1/2 (100 lb)	Consult
12	15410	Spirit level bubble, plastic	Consult
13	30780	Load cell, RL1380, 30 kg (30 lb model)	Consult
13	30779	Load cell, RL1380, 60 kg (60 lb model)	Consult
13	91732	Load cell, RLSP4, 100 kg (100 lb model)	Consult
14	15132	Washer, lock, #8 SS	Consult
15	14857	Screw, pan head	Consult
16	15408	Grommet, rubber, 3/16 ID	Consult
17	16141	Cable tie	Consult

(See Diagram CW-80-C)



CW-80-C

Checkweighers

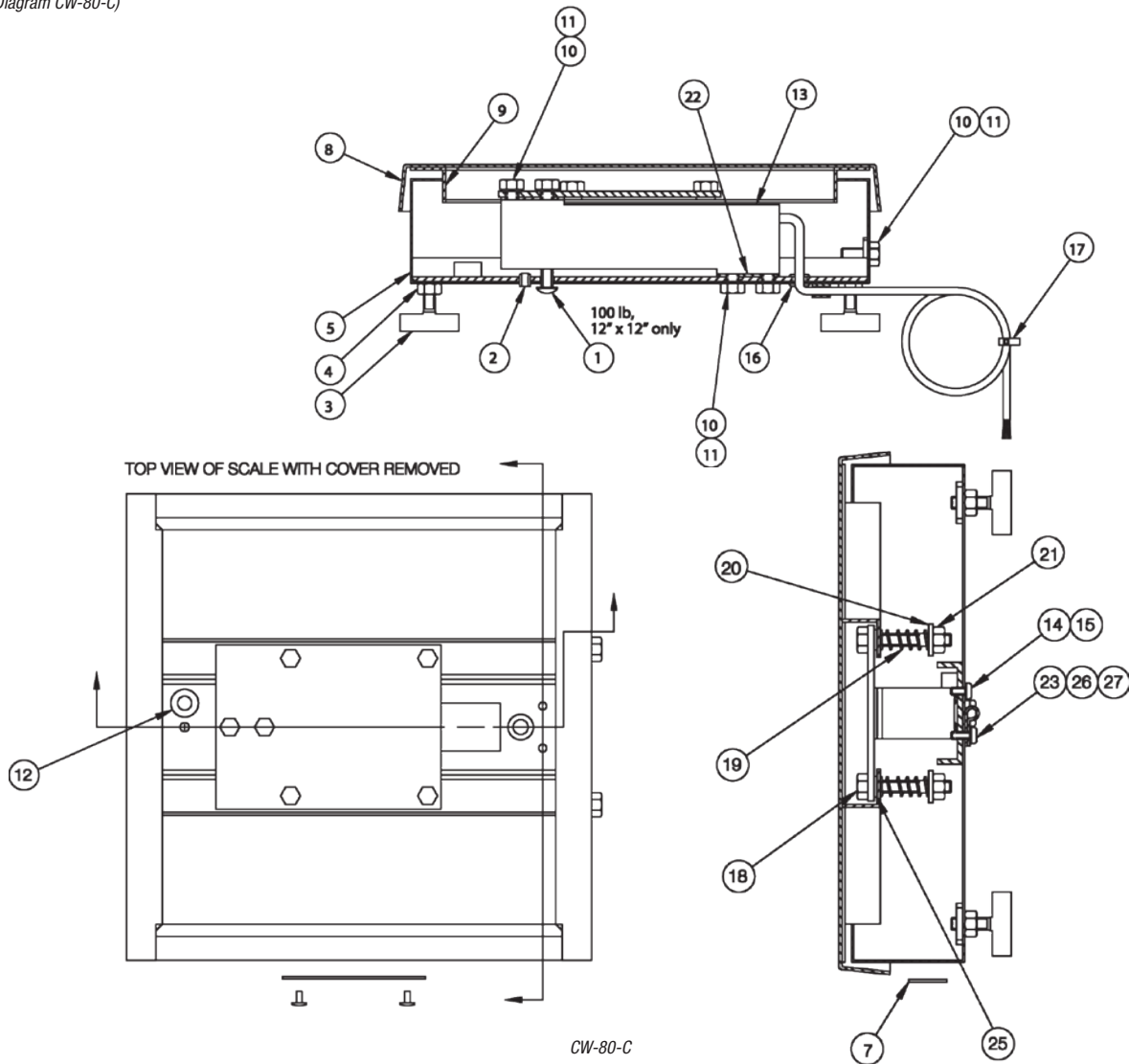
CHECKWEIGHERS  
**SURVIVOR® CW-80**  
 12 x 12in Base Assembly

**Part Number/Price**

Ref#	Part#	Description	Price
18	21947	Bolt, overload spring (30 lb model)	Consult
18	14984	Bolt, overload spring (60 lb model)	Consult
18	35199	Bolt, overload spring (100 lb model)	Consult
19	21944	Spring, overload (30 lb model)	Consult
19	35086	Spring, overload (60 lb model)	Consult
19	35200	Spring, overload (100 lb model)	Consult
20	15149	Washer, flat, SS	Consult
21	14634	Nut, nylon insert, 1/4-20 NC, SS	Consult
22	35082	Shim, load cell (30 and 60 lb models)	Consult
22	19089	Shim, load cell (30 lb, 60 lb and 100 lb models)	Consult
23	15409	Clamp, nylon cable	Consult
24	35067	Load plate (100 lb model)	Consult
25	15150	Washer, sealing, 5/16	Consult
26	15138	Washer #8 SS	Consult
27	14862	Screw, cable clamp, 8-32 NC x 3/8	Consult
<b>OIML Models</b>			
13	30780	Load cell, RL1380, 30 kg (15 kg model)	Consult
13	30779	Load cell, RL1380, 60 kg (30 kg model)	Consult
24	19090	Load plate	Consult



(See Diagram CW-80-C)



Checkweighers

CHECKWEIGHERS

# SURVIVOR® CW-80

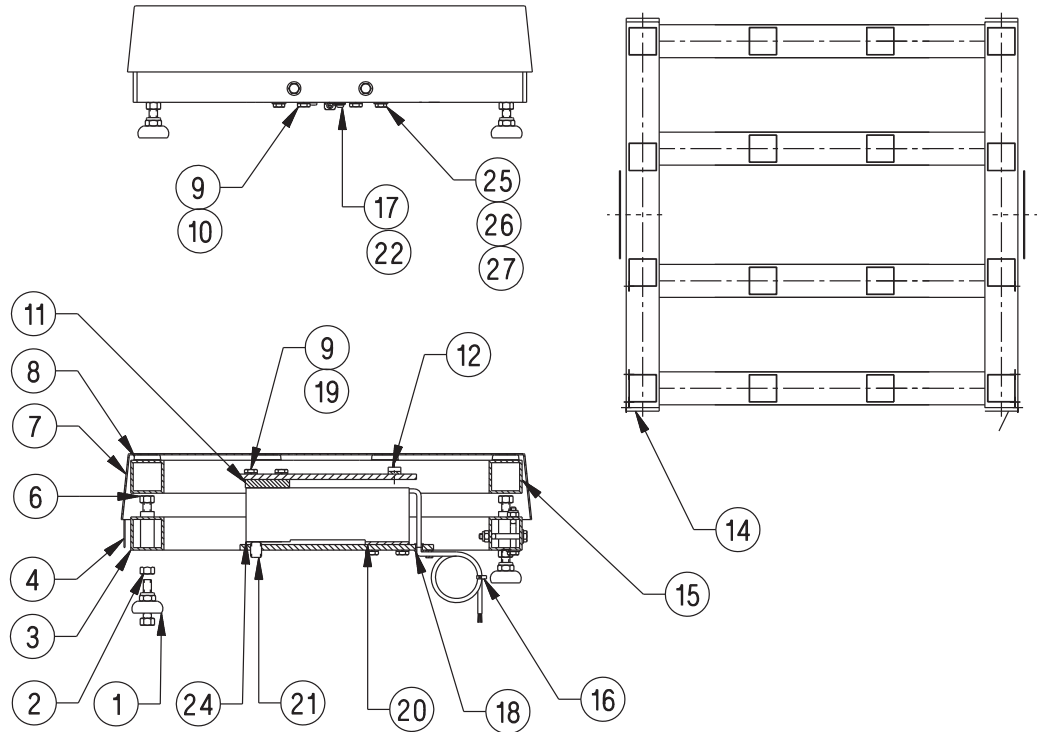
18 x 18in, 18 x 24in, 24 x 24in Base Assembly



## Part Number/Price

Ref#	Part#	Description	Price
	22125	Operating manual	Consult
	10082	Pad, 23.10 x 23.10	Consult
1	19141	Foot, 3/8-16 x .78	Consult
2	14649	Jam nut, foot MS	Consult
2	14653	Jam nut, foot SS	Consult
3	49766	Frame bottom, 18 in x 18 in, MS (RL1260 load cell)	Consult
3	49768	Frame bottom, 18 in x 18 in, SS (RL1260 load cell)	Consult
3	49770	Frame bottom, 18 in x 24 in, MS (RL1260 load cell)	Consult
3	49772	Frame bottom, 18 in x 24 in, SS (RL1260 load cell)	Consult
3	49774	Frame bottom, 24 in x 24 in, MS (RL1260 load cell)	Consult
3	49776	Frame bottom, 24 in x 24 in, SS (RL1260 load cell)	Consult
3	19108	Frame bottom, 18 in x 18 in, MS (RL1250 load cell)	Consult
3	19109	Frame bottom, 18 in x 18 in, SS (RL1250 load cell)	Consult
3	19110	Frame bottom, 18 in x 24 in, MS (RL1250 load cell)	Consult
3	19111	Frame bottom, 18 in x 24 in, SS (RL1250 load cell)	Consult
3	19112	Frame bottom, 24 in x 24 in, MS (RL1250 load cell)	Consult
3	19114	Frame bottom, 24 in x 24 in, SS (RL1250 load cell)	Consult
4	52342	Label roll, 4 in x 1.25 in	Consult
6	14742	Bolt, 3/8-16 NC x 1, hex head	Consult
7	19094	Cover, top, 18 in x 18 in	Consult
7	19095	Cover, top, 18 in x 24 in	Consult
7	19096	Cover, top, 24 in x 24 in	Consult
8	26407	Bumper, self adhesive	Consult
9	15153	Washer, lock, 5/16 regular, MS	Consult
9	15154	Washer, lock, 5/16 regular, SS	Consult
10	26668	Screw, cap, 5/16-18 NC x 3/4, hex, MS	Consult
10	26669	Screw, cap, 5/16-18 NC x 3/4, hex, SS	Consult
10	26667	Screw, cap, 5/16-18 NC x 1, hex, MS	Consult
10	26670	Screw, cap, 5/16-18 NC x 1, hex, SS	Consult

(See Diagram CW-80-D)



CW-80-D



**SURVIVOR® CW-80**

18 x 18 in, 18 x 24 in, 24 x 24 in Base Assembly

**Part Number/Price**

Ref#	Part#	Description	Price
11	49785	Plate, washer, MS (RL1260 load cell)	Consult
11	49786	Plate, washer, SS (RL1260 load cell)	Consult
11	19102	Plate, washer, MS (RL1250 load cell)	Consult
11	19103	Plate, washer, SS (RL1250 load cell)	Consult
12	15410	Level, spirit bubble	Consult
14	19140	Insert, glide, square	Consult
15	49765	Frame, top, 18 in x 18 in, MS (RL1260 load cell)	Consult
15	49767	Frame, top, 18 in x 18 in, SS (RL1260 load cell)	Consult
15	19116	Frame, top, 18 in x 18 in, MS (RL1250 load cell)	Consult
15	19117	Frame, top, 18 in x 18 in, SS (RL1250 load cell)	Consult
15	19118	Frame, top, 18 in x 24 in, MS (RL1250 load cell)	Consult
15	19119	Frame, top, 18 in x 24 in, SS (RL1250 load cell)	Consult
15	49769	Frame, top, 18 in x 24 in, MS (RL1260 load cell)	Consult
15	49771	Frame, top, 18 in x 24 in, SS (RL1260 load cell)	Consult
15	49773	Frame, top, 24 in x 24 in, MS (RL1260 load cell)	Consult
15	49775	Frame, top, 24 in x 24 in, SS (RL1260 load cell)	Consult
15	19120	Frame, top, 24 in x 24 in, MS (RL1250 load cell)	Consult
15	19121	Frame, top, 24 in x 24 in, SS (RL1250 load cell)	Consult
16	16141	Cable, tie, 8 in nylon	Consult
17	15409	Clamp, cable, no. 8 hole	Consult
18	15418	Grommet, rubber	Consult
19	49788	Screw, cap, 5/16-18 NC x 1 1/4, hex, MS (RL1260 load cell)	Consult
19	49789	Screw, cap, 5/16-18 NC x 1 1/4, hex, SS (RL1260 load cell)	Consult
19	26667	Screw, cap, 5/16-18 NC x 1, hex, MS (RL1250 load cell)	Consult
19	26668	Screw, cap, 5/16-18 NC x 3/4, hex, MS (RL1250 load cell)	Consult
19	26669	Screw, cap, 5/16-18 NC x 3/4, hex, SS (RL1250 load cell)	Consult
20	49787	Shim plate (RL1260 load cell)	Consult
20	22264	Shim plate (RL1250 load cell)	Consult
21	15045	Screw, set, 1/2-20 NF x 1/2, hex, MS	Consult
21	15047	Screw, set, 1/2-20 NF x 1/2, hex, SS	Consult
22	14858	Screw, Mach, 8-32 NC x 5/16, MS	Consult
22	14862	Screw, Mach, 8-32 NC x 3/8, SS	Consult
24	32849	Load cell, RL1250-N5 50 kg potted (50 lb models)	Consult
24	32855	Load cell, RL1250-N5 100 kg potted (100 lb models)	Consult
24	32854	Load cell, RL1250-N5 150 kg potted (150 lb models)	Consult
24	32853	Load cell, RL1250-N5 200 kg potted (200 lb models)	Consult
24	32852	Load cell, RL1250-N5 250 kg potted (250 lb models)	Consult
24	32851	Load cell, RL1250-N5 300 kg potted (300 lb models)	Consult
24	32850	Load cell, RL1250-N5 500 kg potted (500 lb models)	Consult
24	91683	Load cell, RLPWM12 1000 kg (1000 lb models)	Consult
24	41020	Load cell, RL1260 50 kg (50 lb models)	Consult
24	41022	Load cell, RL1260 100 kg (100 lb models)	Consult
24	158469	Load cell, RL1260 150 kg (150 lb models)	Consult
24	41023	Load cell, RL1260 200 kg (200 lb models)	Consult
24	41024	Load cell, RL1260 250 kg (250 lb models)	Consult
24	41025	Load cell, RL1260 300 kg (300 lb models)	Consult
24	41026	Load cell, RL1260 500 kg (500 lb models)	Consult
25	35316	Screw, cap, 1/4-20 NC x 2, hex, MS	Consult
25	35199	Screw, cap, 1/4-20 NC x 2, hex, SS	Consult
26	15145	Washer, plain, 1/4 Type A, MS	Consult
26	15149	Washer, plain, 1/4 Type A, SS	Consult
27	14635	Nut, lock, 1/4-20 NC, hex, MS	Consult
27	14634	Nut, lock, 1/4-20 NC, hex, SS	Consult

(See Diagram CW-80-D)



