

MSI-4260M Industrial

Front Casting Assembly



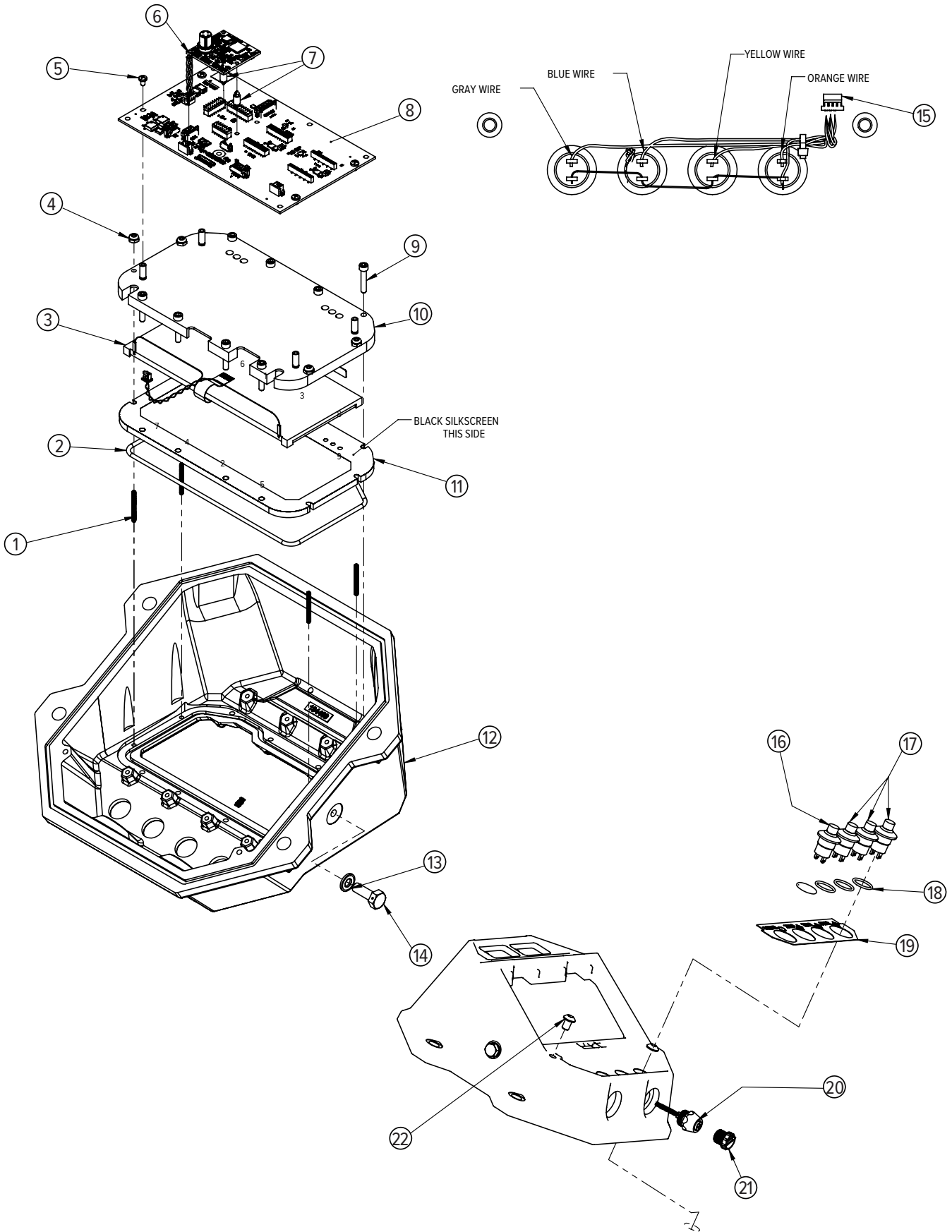
Part Number/Price

| Item # | Part # | Description | Price |
|--------|--------|--|---------|
| 1 | 196566 | Screw set allen dr cp stainless steel 4-40 1.0 LG | Consult |
| 2 | 182066 | O-ring 5.737 × 0.103 nitrile | Consult |
| 3 | 195333 | LCD module | Consult |
| 4 | 146625 | Nut hex 4-40 nyloc stainless steel | Consult |
| 5 | 146593 | Screw pan head 4-40 × 3/16 Phillips stainless steel | Consult |
| 6 | 153429 | PCA ScaleCore 3 1-channel w/ turck insert - controlled | Consult |
| 7 | 144929 | Spacer miniature dual locking 6 mm long | Consult |
| 8 | 191081 | PCA 5-digit LCD | Consult |
| 9 | 200637 | Screw, cap 6-32NC × 3/4 hex socket head 18-8 stainless steel | Consult |
| 10 | 196524 | LCD bracket | Consult |
| 11 | 196523 | LCD window | Consult |
| 12 | 203000 | Front casting LCD display | Consult |
| 13 | 142472 | Washer seal Stat-O-Seal® 1/4 inch | Consult |
| 14 | 153203 | Screw hex 1/4-20 × .375 UNC drilled hd stainless steel | Consult |
| 15 | 139448 | Cable assembly switch harness | Consult |
| 16 | 147562 | Switch P3-31111W watertight red | Consult |
| 17 | 147563 | Switch P3-31112W watertight black | Consult |
| 18 | 146251 | O-ring 70 durometer for use with PG11 feed through | Consult |
| 19 | 194709 | Overlay switches | Consult |
| 20 | 139449 | Cable assembly comm serial data RS-232 | Consult |
| 21 | 143352 | Connector closure cap IP68 male | Consult |
| 22 | 198460 | Screw, cap 1/4-20 × 3/8 hex socket button head stainless steel | Consult |

REPLACEMENT PARTS

MSI-4260M Industrial

Front Casting Assembly



REPLACEMENT PARTS

MSI-4260M Industrial

Mid-Section Assembly (500 to 10,000 lb)



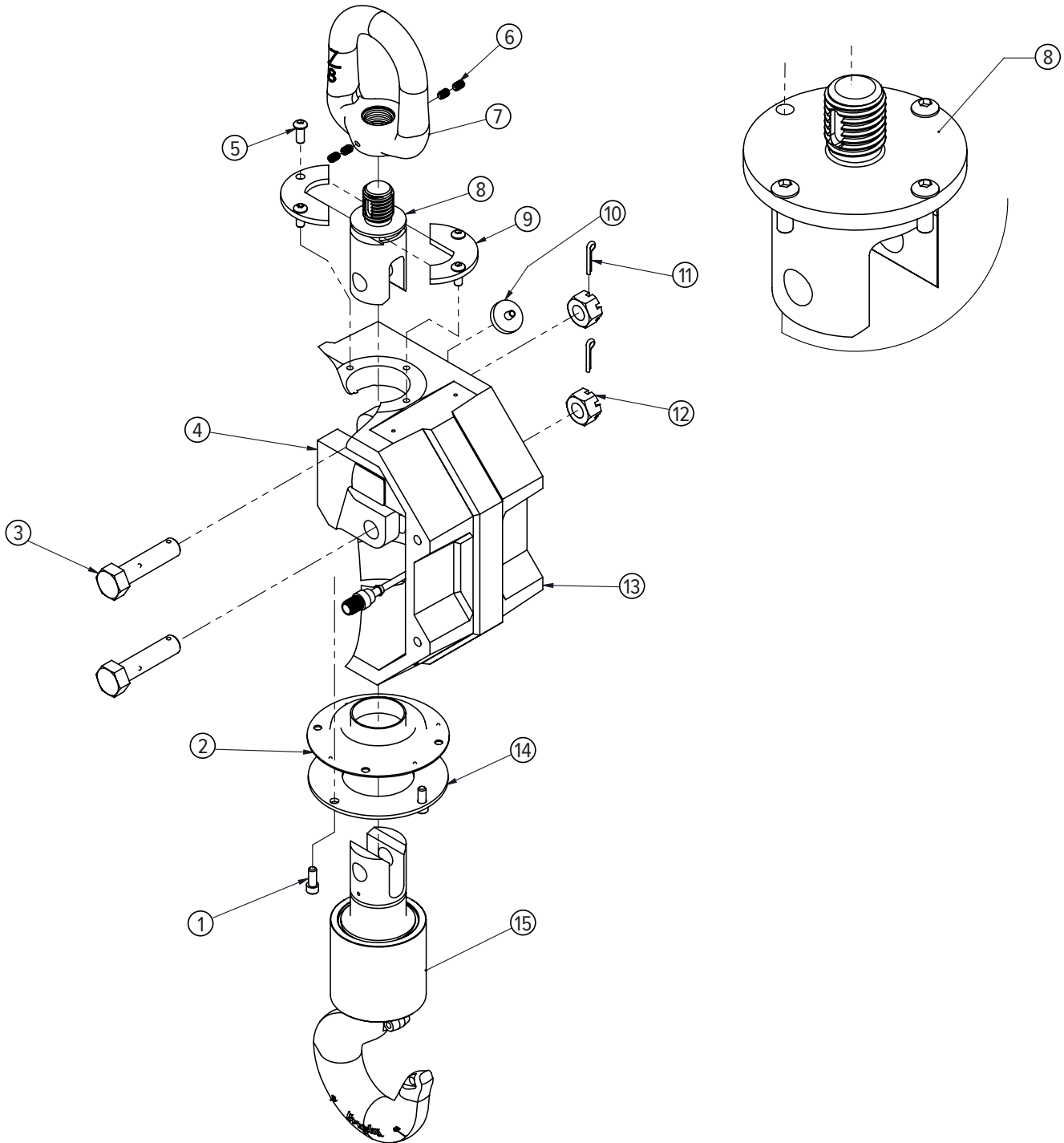
Part Number/Price

| Item # | Part # | Description | Price |
|--------|--------|--|---------|
| 1 | 145990 | Screw socket head 1/4-20 × 5/8 stainless steel | Consult |
| 2 | 149165 | Seal lower link | Consult |
| | 149710 | Seal lower link | Consult |
| 3 | 149217 | Bolt clevis hex head 5/8 × 2.75 grip | Consult |
| | 148457 | Bolt clevis hex head 5/8 × 1.75 grip with thread protectors | Consult |
| 4 | 138664 | Load cell assembly 10K s-beam | Consult |
| | 138663 | Load cell assembly 5K s-beam | Consult |
| | 138662 | Load cell assembly 1K/2K s-beam | Consult |
| | 138661 | Load cell assembly 500 lb s-beam | Consult |
| 5 | 41251 | Screw, cap 1/4-20NC × 3/4 hex socket button head stainless steel | Consult |
| | 72031 | Screw, cap 1/4-20NC × 5/8 hex socket button head stainless steel | Consult |
| 6 | 128799 | Screw, set 1/4-20 × 3/8 socket head cup point 18-8 stainless steel | Consult |
| 7 | 148225 | Eye nut 5/10K | Consult |
| | 139795 | Eye nut #7 500 lb/2K | Consult |
| 8 | 149126 | Upper link s-beam 5/10K | Consult |
| | 148271 | Upper link 500 lb/10K | Consult |
| 9 | 148274 | Collar top half 500 lb/10K | Consult |
| 10 | 146322 | Filter | Consult |
| 11 | 15238 | Pin, cotter 1/8 × 1 extended prong stainless steel | Consult |
| 12 | 142832 | Nut, hex slotted 5/8-11 | Consult |
| 13 | 150519 | Mid section machined 500 lb/10K without o-ring | Consult |
| 14 | 148259 | Collar 500 lb/10K | Consult |
| 15 | 134523 | Swivel hook assembly 5/10K s-beam | Consult |
| | 135043 | Swivel hook assembly 500 lb/2K s-beam | Consult |

REPLACEMENT PARTS

MSI-4260M Industrial

Mid-Section Assembly (500 to 10,000 lb)



REPLACEMENT PARTS

MSI-4260M Industrial

Mid-Section Assembly (20,000 to 30,000 lb)



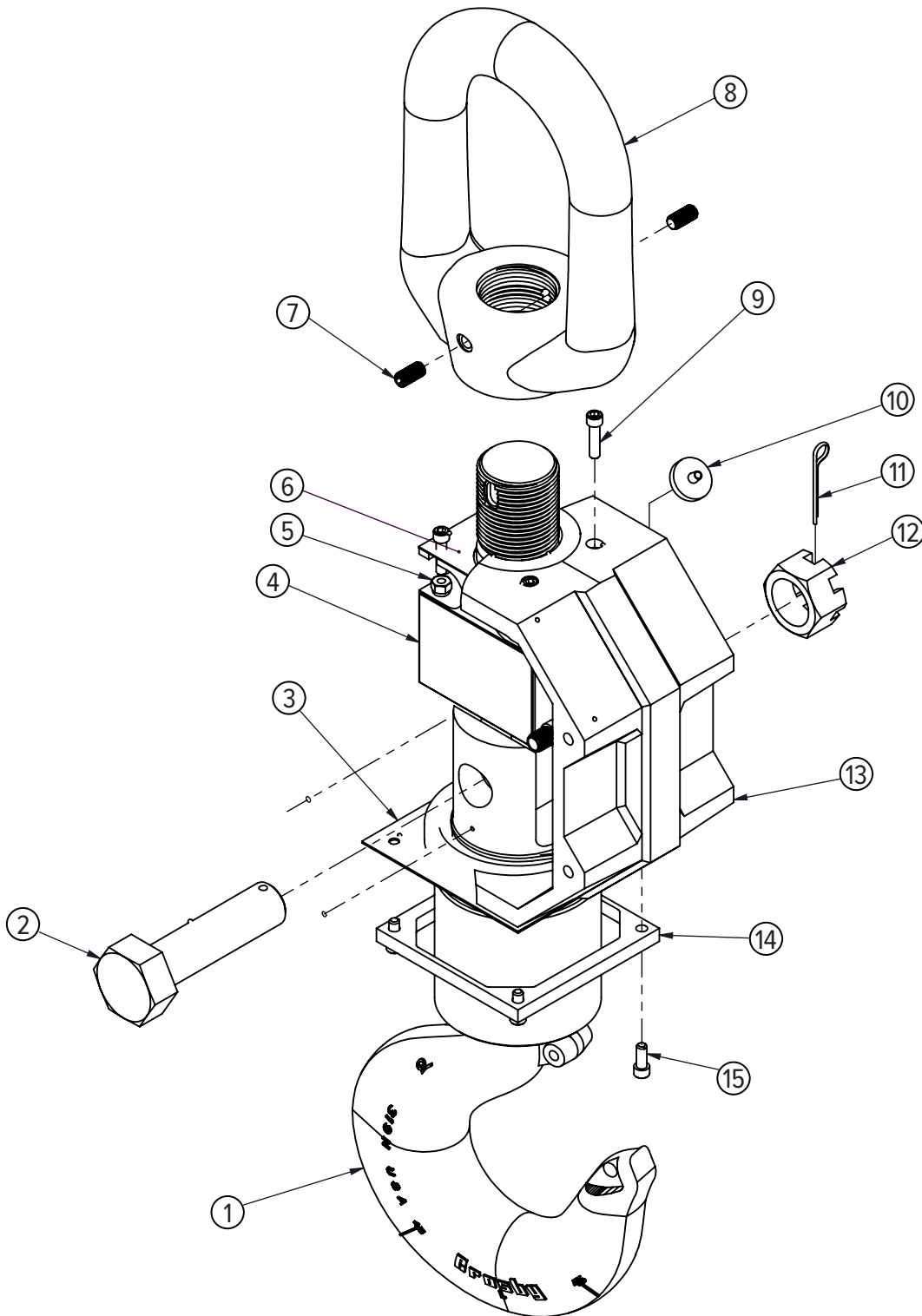
Part Number/Price

| Item # | Part # | Description | Price |
|--------|--------|--|---------|
| 1 | 134938 | Swivel hook assembly 20K | Consult |
| | 134939 | Swivel hook assembly 30K | Consult |
| 2 | 148458 | Bolt clevis hex head 1.125-7 × 4.2 grip with thread protectors | Consult |
| 3 | 149957 | Boot lower 20 to 70K | Consult |
| 4 | 137763 | Load cell assembly 20K/30K | Consult |
| 5 | 146631 | Nut hex 1/4-20 nyloc stainless steel | Consult |
| 6 | 149976 | Gasket upper 20K/30K Port-A-Weigh gasket | Consult |
| 7 | 146081 | Screw set 3/8-24 × 3/4 cup point stainless steel | Consult |
| 8 | 148110 | Eye nut 20K/30K galvanized | Consult |
| 9 | 81405 | Screw, socket head 1/4-20UNC×1 18-8 stainless steel | Consult |
| 10 | 146322 | Filter millipore | Consult |
| 11 | 142186 | Cotter pin 3/16 × 2 | Consult |
| 12 | 142833 | Nut hex slotted 1.125 - 7 zinc pltd | Consult |
| 13 | 150523 | Mid section machined 20K/30K | Consult |
| 14 | 149958 | Collar bottom 20 to 50K | Consult |
| 15 | 145990 | Screw socket head 1/4-20 × 5/8 stainless steel | Consult |

REPLACEMENT PARTS

MSI-4260M Industrial

Mid-Section Assembly (20,000 to 30,000 lb)



REPLACEMENT PARTS

MSI-4260M Industrial

Mid-Section Assembly (50,000 to 70,000 lb)



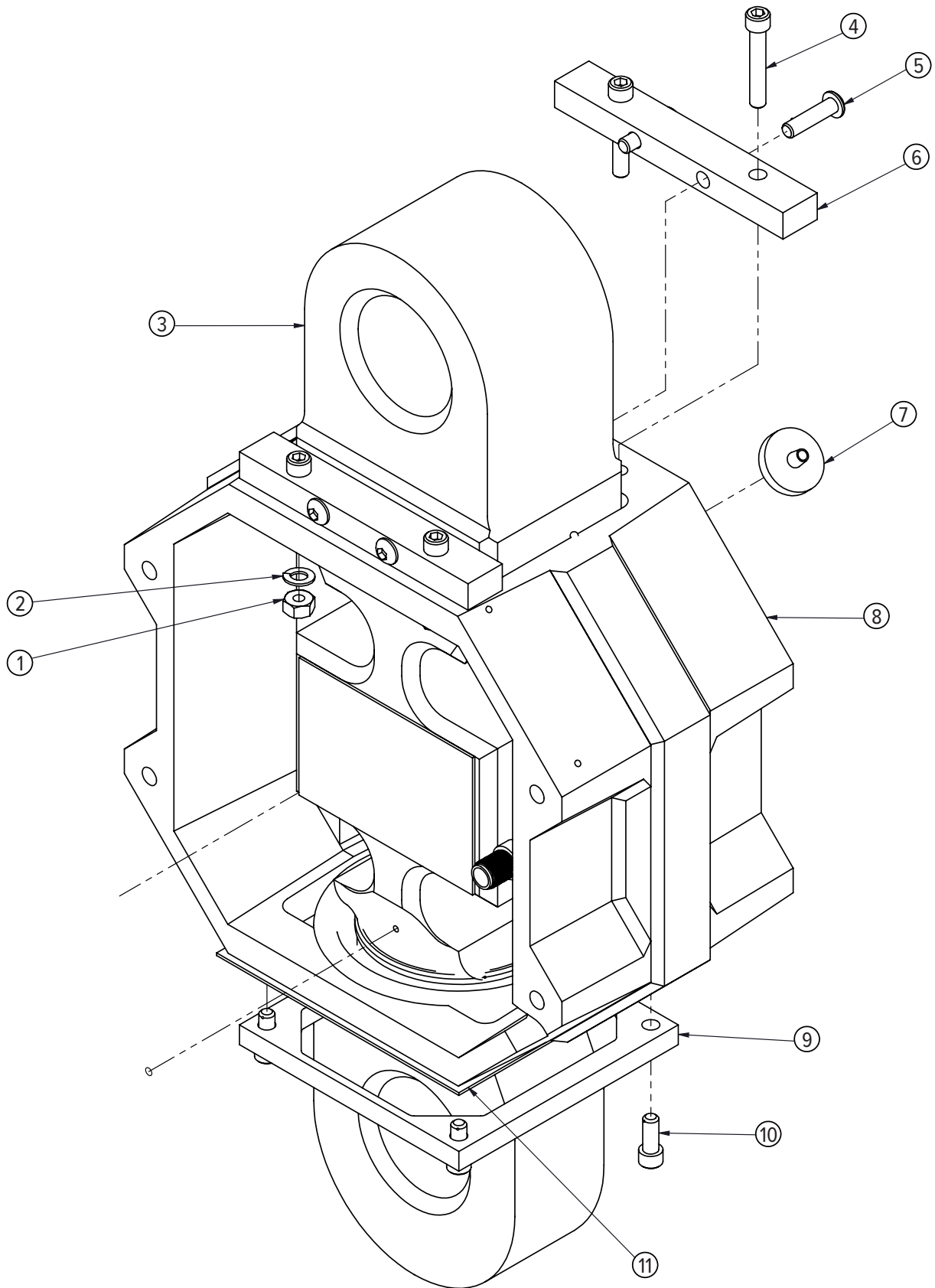
Part Number/Price

| Item # | Part # | Description | Price |
|------------------|--------|--|---------|
| 1 | 14642 | Nut, 1/4-20NC hex stainless steel | Consult |
| 2 | 15148 | Washer, lock 1/4 regular helical spring stainless steel | Consult |
| 3 | 137764 | Load cell assembly 50K/70K standard | Consult |
| 4 | 117599 | Screw, cap 1/4-20NC×1-1/2 hex socket head 18-8 stainless steel | Consult |
| 5 | 145982 | Screw button head 1/4-20 × 1 stainless steel socket head | Consult |
| 6 | 148213 | Collar top 50K/100K | Consult |
| 7 | 146322 | Filter millipore | Consult |
| 8 | 150525 | Mid-section machined 50K/100K | Consult |
| 9 | 149958 | Collar bottom 20 to 50K | Consult |
| 10 | 145990 | Screw socket head 1/4-20 × 5/8 stainless steel | Consult |
| 11 | 149957 | Boot lower 20 to 70K | Consult |
| Not Shown | | | |
| | 151356 | Shackle, 25T, 50,000 lb | Consult |
| | 146335 | Shackle, 40T, 70,000 lb | Consult |
| | 135035 | Hook, swivel 50,000 lb | Consult |
| | 142179 | Latch safety (fits PN 135035 hook) | Consult |
| | 135036 | Hook, swivel 70,000 lb | Consult |
| | 142180 | Latch safety (fits PN 135036 hook) | Consult |

REPLACEMENT PARTS

MSI-4260M Industrial

Mid-Section Assembly (50,000 to 70,000 lb)



REPLACEMENT PARTS

MSI-4260M Industrial

Battery Casting Assembly



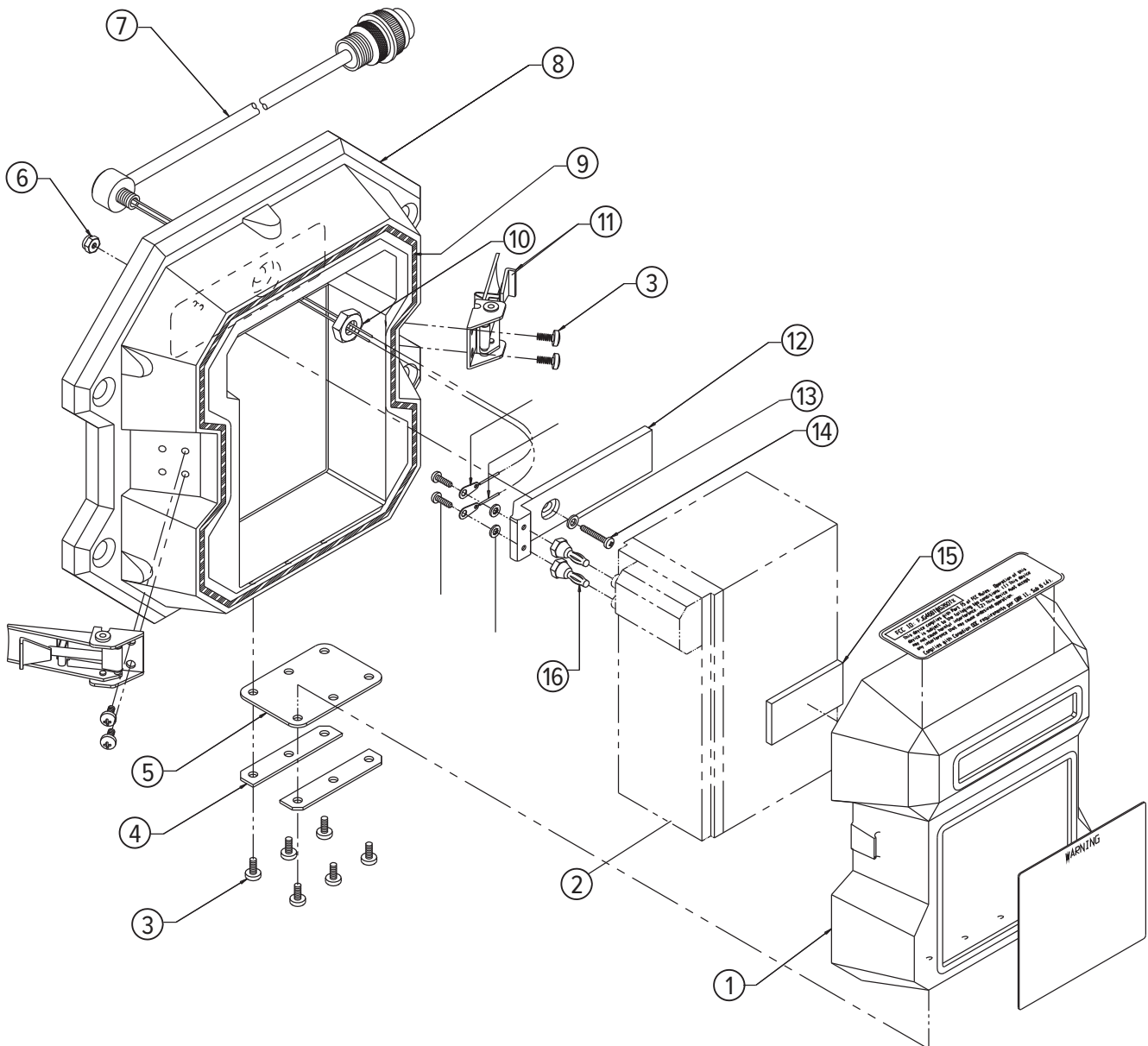
Part Number/Price

| Item # | Part # | Description | Price |
|--------|--------|---|---------|
| 1 | 150516 | Battery door machined | Consult |
| 2 | 150367 | Battery | Consult |
| 3 | 146107 | Screw pan head 8-32 x 5/16 type f stainless steel Phillips head | Consult |
| 4 | 149718 | Plate aluminum battery door | Consult |
| 5 | 149719 | Fastener battery door rubber | Consult |
| 6 | 146627 | Nut hex 6-32 nyloc stainless steel | Consult |
| 7 | 133798 | Cable assembly power molded feed through | Consult |
| 8 | 150517 | Battery well machined with o-ring | Consult |
| 9 | 149723 | O-ring assembly battery well casting | Consult |
| 10 | 146661 | Nut hex 5/16-18 jam stainless steel | Consult |
| 11 | 145934 | Latch camloc | Consult |
| 12 | 150073 | Connector block | Consult |
| 13 | 55124 | Washer, flat #6 cres | Consult |
| 14 | 127036 | Screw, machine 6-32 x 3/4 Phillips pan head 18-8 stainless steel | Consult |
| 15 | 146640 | Pad poron 2.0 x 1.0 | Consult |
| 16 | 147825 | Plug banana jack | Consult |

REPLACEMENT PARTS

MSI-4260M Industrial

Battery Casting Assembly



REPLACEMENT PARTS

MSI-4260M Industrial

Bulkhead Assembly



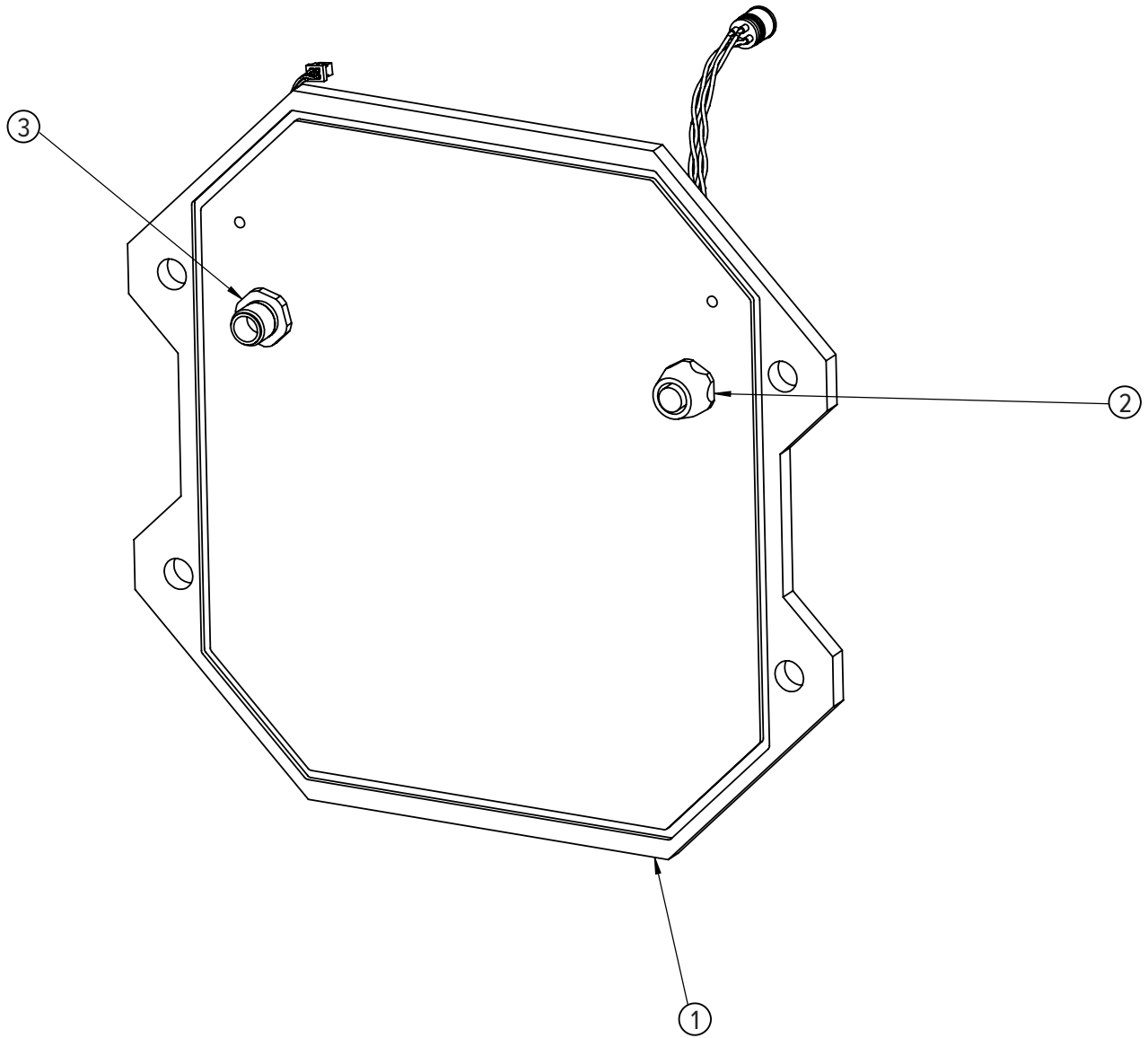
Part Number/Price

| Item # | Part # | Description | Price |
|--------|--------|---|---------|
| 1 | 196355 | Bulkhead front casting | Consult |
| 2 | 139471 | Cable assembly bulkhead load cell 12.0 in | Consult |
| 3 | 139472 | Cable assembly bulkhead power 12.0 in | Consult |

REPLACEMENT PARTS

MSI-4260M Industrial

Bulkhead Assembly



REPLACEMENT PARTS