

Forklift / Pallet Jack Scales

TABLE OF CONTENTS

CLS Series	414
<i>Forklift Scale</i>	
CLS-680	417
<i>Forklift Scale Display</i>	
CLS-920i®	418
<i>Forklift Scale Display</i>	
VIRTUj®3	419
<i>PC-Based Program for CLS Series Forklift Scale</i>	
RL-HPJ	420
<i>Hand Pallet Jack Scale</i>	

Product names, logos, brands and other trademarks featured or referred to within this publication are the property of their respective trademark holders.

CLS Series

Forklift Scale



Approvals



Measurement
Canada
Approved

Part Number/Price

Part #	Capacity	Forklift Compatibility	Est. Weight	Price
Class II, CLS-680, NTEP Certified				
201300	5,000 lb × 5 lb	34 in W, 16 in H forklift carriage (36 in W with flexures) 9 to 36 VDC	530 lb	\$9,140.00
201302	5,000 lb × 5 lb	34 in W, 16 in H forklift carriage (36 in W with flexures) 9 to 36 VDC, cableless	545 lb	\$10,990.00
Class II, CLS-920i, NTEP Certified				
162282	5,000 lb × 5 lb	34 in W, 16 in H forklift carriage (36 in W with flexures) 10 to 60 VDC	540 lb	\$9,980.00
171809	5,000 lb × 5 lb	34 in W, 16 in H forklift carriage (36 in W with flexures) 10 to 60 VDC, cableless	565 lb	\$11,830.00
Class II, VIRTUI³ M Series, NTEP Certified				
194714**	5,000 lb × 5 lb	34 in W, 16 in H forklift carriage (36 in W with flexures)	525 lb	\$8,470.00
Class II, VIRTUI³ IM Series				
191748**	5,000 lb × 5 lb	34 in W, 16 in H forklift carriage (36 in W with flexures)	525 lb	\$9,020.00
Class II, CLS-680 with Mobile Printer, NTEP Certified				
207505	5,000 lb × 5 lb	34 in W, 16 in H forklift carriage (36 in W with flexures) with Zebra ZQ630 Printer, wired, 12 to 24 VDC	545 lb	\$11,270.00
206446	5,000 lb × 5 lb	34 in W, 16 in H forklift carriage (36 in W with flexures) with Zebra ZQ630 printer, 12 to 24 VDC, cableless	570 lb	\$13,100.00
Class II, CLS-680 with Measurement Canada Approval				
214091	4,500 lb × 5 lb	34 in W, 16 in H forklift carriage (36 in W with flexures), 9 to 36 VDC	530 lb	\$9,140.00
Class II, CLS-920i with Measurement Canada Approval				
215114	4,500 lb × 5 lb	34 in W, 16 in H forklift carriage (36 in W with flexures) 10 to 60 VDC	555 lb	\$9,980.00

Part Number/Price

Class III, CLS-680 Not NTEP Certified				
212521	8,000 lb × 5 lb	38 in W, 20 in H forklift carriage, 9 to 36 VDC	985 lb	\$12,640.00
214092	8,000 lb × 5 lb	38 in W, 20 in H forklift carriage, 9 to 36 VDC, cableless	990 lb	\$14,490.00
Class III, CLS-920 Not NTEP Certified				
219975	8,000 lb × 5 lb	38 in W, 20 in H forklift carriage, 10 to 60 VDC	990 lb	\$13,480.00
214093	8,000 lb × 5 lb	38 in W, 20 in H forklift carriage, 10 to 60 VDC, cableless	1,005 lb	\$15,330.00

**Weight indication device (PC/tablet) is not included; consult factory to verify compatibility with your device

Standard Features

Scale Carriage

- 28 in (Class II), 5,000 × 5 lbs, NTEP Certified
- 34 in (Class II), 5,000 × 5 lbs, NTEP Certified
- 38 in (Class III), 8,000 × 5 lbs, non-NTEP
- 1-1/2 in thick front and back painted steel plates coupled by four flexures
- Top cleats are welded, pinned and bolted
- Welded centering pin
- Two 5,000 lb s-beam load cells
- iQUBE²® junction box with inclinometer
- Molded coiled cable, up to 15 ft uncoiled

Presale Requirements

- Provide completed forklift questionnaire for quotation
- Compatible with most Class II and Class III forklift attachments, consult factory

Installation Recommendations

- When installing a forklift scale on an electric forklift, static discharge protection must be present on the forklift and install a chassis mount power conditioner to protect scale electronics.
- When installing a forklift scale, OSHA requires the end user to de-rate the lift capacity of the forklift.

Specifications

Warranty:

Two-year limited

Approvals:

NTEP 06-074

Measurement Canada AM-5893

CLS Indicator

CLS-680 (page 417)

The CLS-680 was designed from the ground-up specifically for forklift applications. With a machined aluminum anodized enclosure, the CLS-680 is ideal for demanding, general-purpose forklift applications. Its compact size is attached with a RAM® mount for flexible positioning and minimal obstruction. Additional features include rounded corners, vibration protection and surge suppression.

- Six-digit, seven-segment LED display
- Battery backed time & date
- On/Off power switch
- 9 to 36 VDC power supply
- Cabled or cableless
- RS-232 serial port
- Wi-Fi
- Bluetooth®

Cableless

The cableless option removes the coiled communications/power cable between the scale and the indicator. A rechargeable battery is secured to the scale and it powers the scale and the paired wireless modules provide communication.

- 802.15 wireless interface
- Lithium-ion battery and charger
- On/Off power switch
- Battery life: 24 hours of constant use
- Battery recharge time: 8 hours to fully recharge
- Reinforced battery box welded to top cover

CLS Indicator

CLS-920i (page 418)

The CLS-920i incorporates the flexibility, intelligence and programmability of the 920i in a smaller enclosure with a DC power supply for use on forklifts. The standard program offers weight indication, configuration, calibration and diagnostics specific to the CLS. Customize it for your application with an optional user program.

- Painted mild steel enclosure
- Backlit graphical LCD display
- Battery backed time and date
- On/Off power switch
- 10 to 60 VDC power supply
- Cabled or cableless
- Two available RS-232 ports for added options
- Optional Wi-Fi
- Optional Bluetooth®

Wi-Fi

Wi-Fi is a standard feature for the CLS-680 and is available as a factory installed option for the CLS-920i.

- Wireless LAN card 802.11 b/g
- Range: Up to 328 ft indoors
- Operating frequency: ISM 2.4 GHz

CLS Virtual Solution

VIRTUi³ (page 419)

Weight data is displayed on a device using VIRTUi³ software, creating a virtual indicator. The CLS connects to your device using RS-232, USB or Bluetooth®. Choose between the CLS-M or CLS-IM configuration for static or in-motion use.

- Weight indication device (PC/tablet) is not included
- Consult factory to verify compatibility with your device
- Bluetooth® connection available
- USB connection available

Bluetooth®

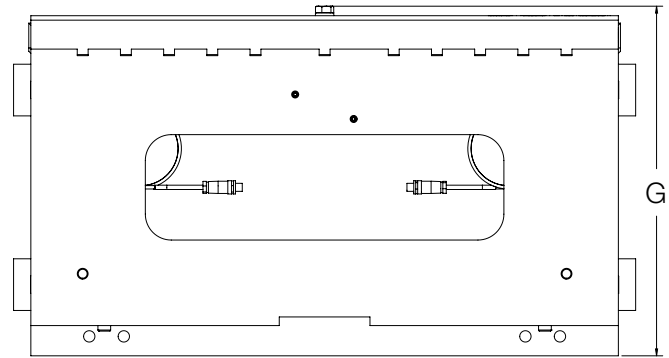
Bluetooth® communication is a standard feature for the CLS-680 and is available as an external option for the CLS-920i. It is also available in a communications/power box for the virtual solution.

CLS Series

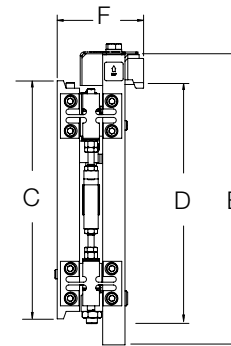
Forklift Scale

Dimensions

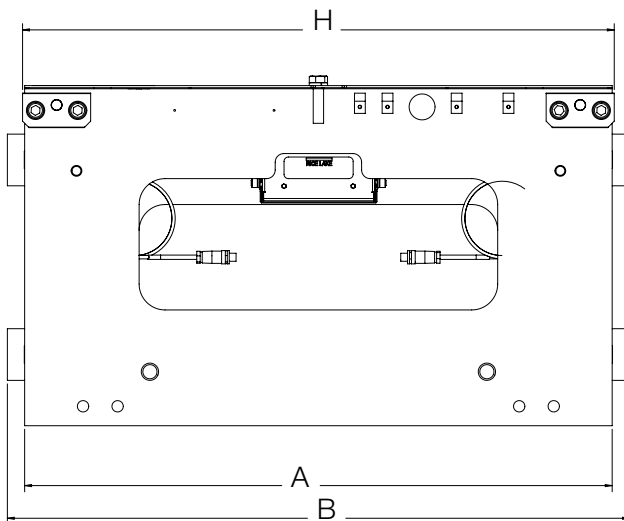
CLS Class II			
28 in, 5,000 lb			
A	28.00 in (711 mm)	E	19.50 in (495 mm)
B	30.00 in (762 mm)	F	4.49 in (114 mm)
C	16.00 in (406 mm)	G	21.80 in (554 mm)
D	16.29 in (414 mm)	H	28.24 in (717 mm)
34 in, 5,000 lb			
A	34.00 in (864 mm)	E	19.50 in (495 mm)
B	36.00 in (914 mm)	F	4.49 in (114 mm)
C	16.00 in (406 mm)	G	21.80 in (556 mm)
D	16.29 in (413 mm)	H	34.24 in (870 mm)
38 in, 8,000 lb			
A	38.00 in (965 mm)	E	24.50 in (622 mm)
B	40.00 in (622 mm)	F	6.04 in (153 mm)
C	20.00 in (508 mm)	G	26.68 in (678 mm)
D	20.15 in (512 mm)	H	38.00 in (965 mm)



Rear view



Side view



Front view

FORKLIFT /
PALLET JACK SCALES

Forklift Capacity Derating

During the initial scale installation, remind the customer that they must have an updated ID plate on the forklift stating the new lifting capacity and center of gravity information. This is required per OSHA rules and regulations.

	28 Inch	34 Inch	38 Inch
Vertical center of gravity (VCG) of scale =	8.06	8.06	10.15
Horizontal center of gravity (HCG) of scale =	2.09	2.09	2.83
Effective thickness (ET) of scale =	4.55	4.55	6.06
Weight of scale =	392	420	987

Replacement for
CLS-420

CLS-680

Forklift Scale Display



Standard Features

- LED display
- Battery backed time and date
- Full numeric keypad
- Numeric keyed entry allowed for tare
- Formattable tickets
- CLS user modes
- Machined aluminum enclosure with rounded corners
- Wi-Fi standard
- Bluetooth® standard
- Embedded antenna
- RAM® style mount ability
- M16 connector, CLS scale connection
- M12 connector, RS-232
- Power cable connector
- PreVent™ breather vent
- Illuminated power switch

Options

- Cableless interface to CLS with Zigbee module
- RAM style mounts
- Molded M12 serial cables

Specifications

Power:

DC voltages: 9 to 36 VDC

Communication Ports:

Two RS-232 full duplex, one reserved for CLS
Bluetooth® SSP
Wi-Fi: Wireless 802.11 b/g/n 2.5 GHz
Zigbee, reserved for CLS cableless option

Annunciators:

10 LED

Display:

Six-digit, 0.5 in tall, seven-segment digits

Keys/Buttons:

Flat membrane panel, tactile feel (18 buttons)

Temperature Range:

Certified: 14 °F to 104 °F (-10 °C to 40 °C)
Industrial: 14 °F to 122 °F (-10 °C to 50 °C)

Dimensions:

(L × W × H)
6.5 × 5.2 × 3.3 in
(165 × 132 × 84 mm)

Estimated Weight:

3.7 lb (1.7 kg)

Material:

Machined aluminum enclosure, anodized finish

EMC Immunity:

EN 50082 Part 2 IEC 61000-4-2,3,4,5,6,8 and 11

Warranty:

Two-year limited

Approvals:

NTEP 21-092, Class III/IIIL, 5,000d

Approvals

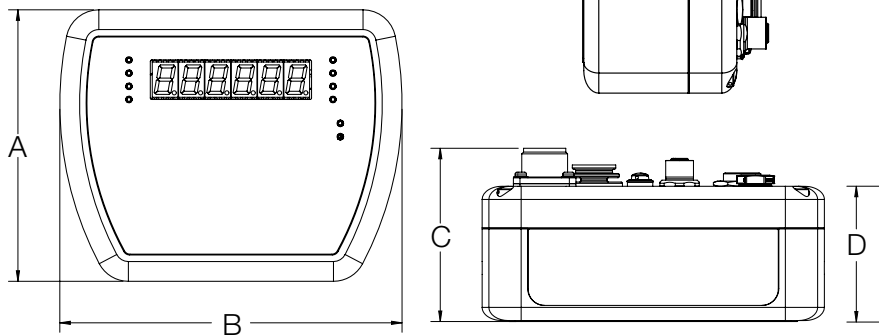


Part Number/Price

Part #	Description	Price
206439	CLS-680 indicator 9 to 36 VDC	\$1,310.00
204239	CLS-680 indicator 18 to 72 VDC	\$1,560.00

Dimensions

CLS-680	
A	5.2 in (132 mm)
B	6.5 in (165 mm)
C	3.3 in (84 mm)
D	2.5 in (64 mm)



FORKLIFT /
PALLET JACK SCALES

CLS-920i®

Forklift Scale Display



Approvals



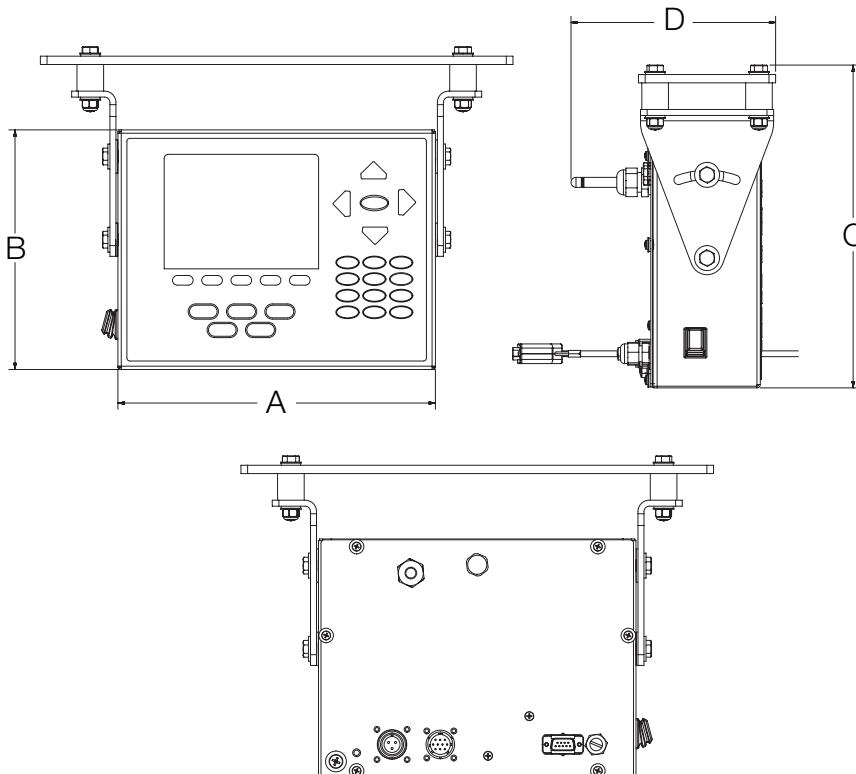
Measurement
Canada
Approved

Part Number/Price

Part #	Description	Price
162117	CLS-920i indicator with mounting brackets 10 to 60 VDC	\$2,550.00

Dimensions

CLS-920i	
A	9.54 in (242 mm)
B	7.20 in (183 mm)
C	9.71 in (247 mm)
D	5.82 in (148 mm)



Standard Features

- LCD display
- Standard program
 - Weight indication
 - Configuration
 - Calibration
 - Diagnostics
- Front panel calibration
- On/Off switch to conserve forklift battery life
- Painted mild steel enclosure
- Two -piece top cage indicator mounting assembly with vibration mounts
- Two available RS-232 ports for added options of scanner, Wi-Fi or printer
- 10 to 60 VDC power supply for use on gas powered or electric forklifts

Note: For custom user program, please contact the factory

Specifications

Power:

Line voltage: 10 to 60 VDC, DC input

Power Consumption:

1.5 A max fused at 5.0

Temperature Range:

Certified: 14 °F to 104 °F (-10 °C to 40 °C)

Operating: 14 °F to 122 °F (-10 °C to 50 °C)

Wireless LAN Option:

Contains FCC ID: R68WIPORATG

Range: Up to 328 ft indoors

Operating frequency: ISM 2.4 GH

Warranty:

Two-year limited

Approvals:

NTEP 06-074, 5,000 lb only, Class III, 1,000d

Measurement Canada AM-5893, Class III



Standard Features

- Virtual front panel consists of display and two or three button keypad
- Printer port configuration, serial or TCP/IP
- Provides CLS configuration screen
- Supports CLS diagnostics
- Weight indication screen
- Weight display
- Zero, print and in-motion clear buttons
- Capacity, resolution, units, motion and center of zero status annunciators
- Unit ID
- Configuration, calibration and diagnostics menus
- VIRTUⁱ Mini minimized weight display screen

Specifications

Minimum System Requirements:

Windows® 8.1 or greater
 Serial port connection to CLS Series forklift scale
 Additional serial ports are required for connections to printers/remote displays 100 MB space needed
 8 GB or greater RAM

Annunciators:

Units, capacity, resolution, motion, center of zero

Approvals:

NTEP 04-058

Approvals



Part Number/Price

Part #	Description	Price
188745	VIRTU ⁱ software	\$495.00

RL-HPJ

Hand Pallet Jack Scale



Standard Features

- Steering wheels and double loading polyurethane rollers
- Four stainless steel IP68 load cells
- Weight indicator in IP65 stainless steel water-resistant enclosure
- Configuration, calibration and diagnostics from keyboard
- Rechargeable battery mounted on the pallet jack
- Zero and tare functions
- Net/Gross and lb/kg conversion
- Accumulation
- Formulation
- +/- Checkweighing
- Percentage weighing
- Counting (Max. resolution of 1,500,000 divisions)
- Peak hold
- Includes a 115 VAC 50/60 Hz battery charger

Specifications

Battery Life:

80 hours of continuous use or one month of non-continuous use

Display:

1 in (25 mm) LCD display high contrast digits

Capacity:

Maximum lifting capacity 5,000 lb

Accuracy:

± 0.1% of the maximum capacity

Keys/Buttons:

17 functional keys

Operating Temperature:

14 °F to 104 °F (-10 °C to 40 °C)

Material:

Heavy-gauge steel with a durable powder coat finish

Fork Dimensions:

48.75 × 26.75 × 3.125 in
(1240 × 680 × 80 mm)

Weight:

Approx. 360 lb (163 kg)

Part Number/Price

Part #	Description	Est. Weight	Price
183592	Pallet jack scale RL-HPJ, 5,000 × 1 lb	360 lb	\$2,495.00
220672	Pallet jack scale, RL-HPJ, 5,000 × 1 lb, with printer	365 lb	\$2,920.00

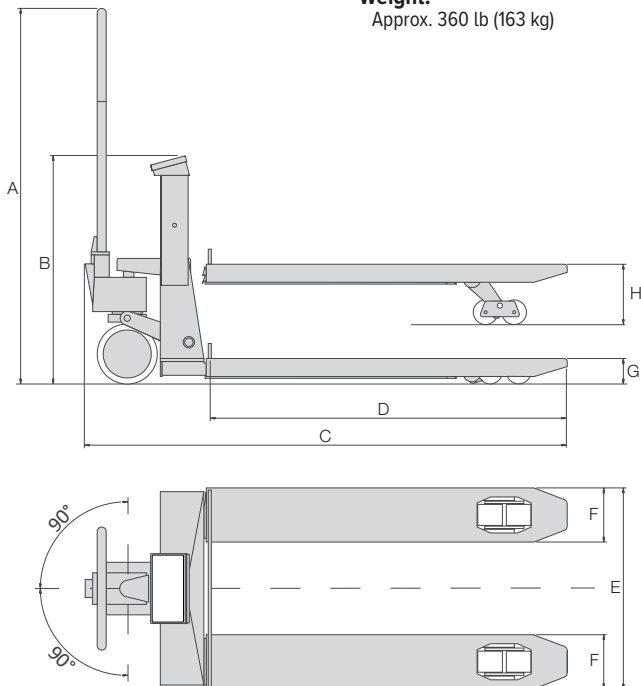
Options/Accessories

Part #	Description	Price
215143	Power supply, 7.2VDC, 3A SLA battery charger	\$132.00
215142	Battery, rechargeable	\$158.00
182053	Printer paper roll, 57 mm × 30 m, 12 mm core 51 mm OD	\$3.00

NOTE: See replacement parts page to detail correct part numbers for previous generations

Dimensions

RL-HPJ			
A	47.25 in (1,200 mm)	E	26.75 in (680 mm)
B	30.00 in (762 mm)	F	7.00 in (178 mm)
C	64.25 in (1,631 mm)	G	3.125 in (79 mm)
D	45.25 in (1,149 mm)	H	7.75 in (197 mm)



FORKLIFT /
PALLET JACK SCALES