

Uni-9H

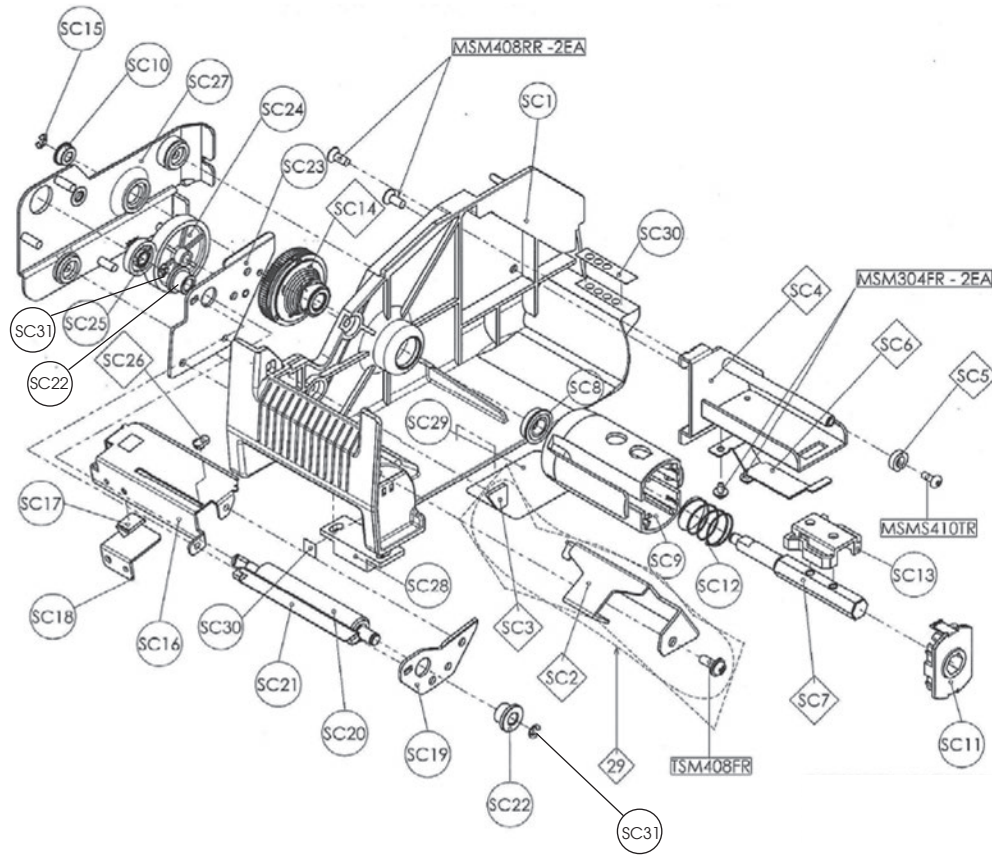
Cassette



Part Number/Price

Ref #	Part #	Description	Synonym	Price
SC1	181196	Frame cassette	000-089-5760-22	Consult
SC2	131411	Bracket label peel	000-089-6788-01	Consult
SC3	131413	Plate A	000-089-6790-00	Consult
SC4	170795	Holder assy, label roll	000-089-6783-03	Consult
SC5	173893	Guide label	000-089-5080-05	Consult
SC6	180555	Lever label guide	000-089-6782-00	Consult
SC7	Consult	Shaft step bobbin	000-089-6791-03	Consult
SC8	Consult	Bearing large circle	000-089-5666-07	Consult
SC9	162104	Bobbin roll	000-089-5550-09	Consult
SC10	160705	Bush	000-089-5129-03	Consult
SC11	167494	Cover roll	000-089-5551-02	Consult
SC12	162103	Spring coil compression	000-089-5560-06	Consult
SC13	162102	Stopper holder label	000-089-5554-03	Consult
SC14	165181	Torque limiter	000-089-6591-05	Consult
SC15	46986	E-ring	400-000-0969-00	Consult
SC16	Consult	Guide table label	000-089-5557-04	Consult
SC17	131415	Block B prism	000-089-5556-01	Consult
SC18	131416	Bracket prism	000-089-5561-00	Consult
SC19	180556	Frame R	000-089-5546-03	Consult
SC20	119171	Roller printer	000-089-5544-15	Consult
SC21	172963	Plate as peel shaft	000-089-5548-01	Consult
SC22	131419	Bush	000-089-5597-12	Consult
SC23	Consult	Frame L	000-089-5545-19	Consult
SC24	119507	Gear flat	000-089-5547-07	Consult
SC25	181099	Gear flat	000-089-5128-00	Consult
SC26	119508	Guide label	000-089-5558-26	Consult
SC27	204560	Cover gear	000-089-5552-06	Consult
SC28	131421	Catch magnet	000-117-9647-06	Consult
SC29	Consult	Sticker label setting	000-089-5564-01	Consult
SC30	126462	Sticker cassette No	000-089-5563-07	Consult
SC31	46984	E-ring, 4mm Shaft SST M4	400-000-1050-00	Consult
—	190565	Label cassette, complete assy	089-6793-01	Consult
—	198047	Label cassette, complete assy for 107 mm tall mod	400-000-4428-00	Consult

Uni-9H Cassette



Hanging Scales