

RICE LAKE WEIGHING

RICE LAKE WEIGHING

Pipe Lever Scales

Rice Lake Weighing

Pipe Lever Scale Type I, 25K/30K



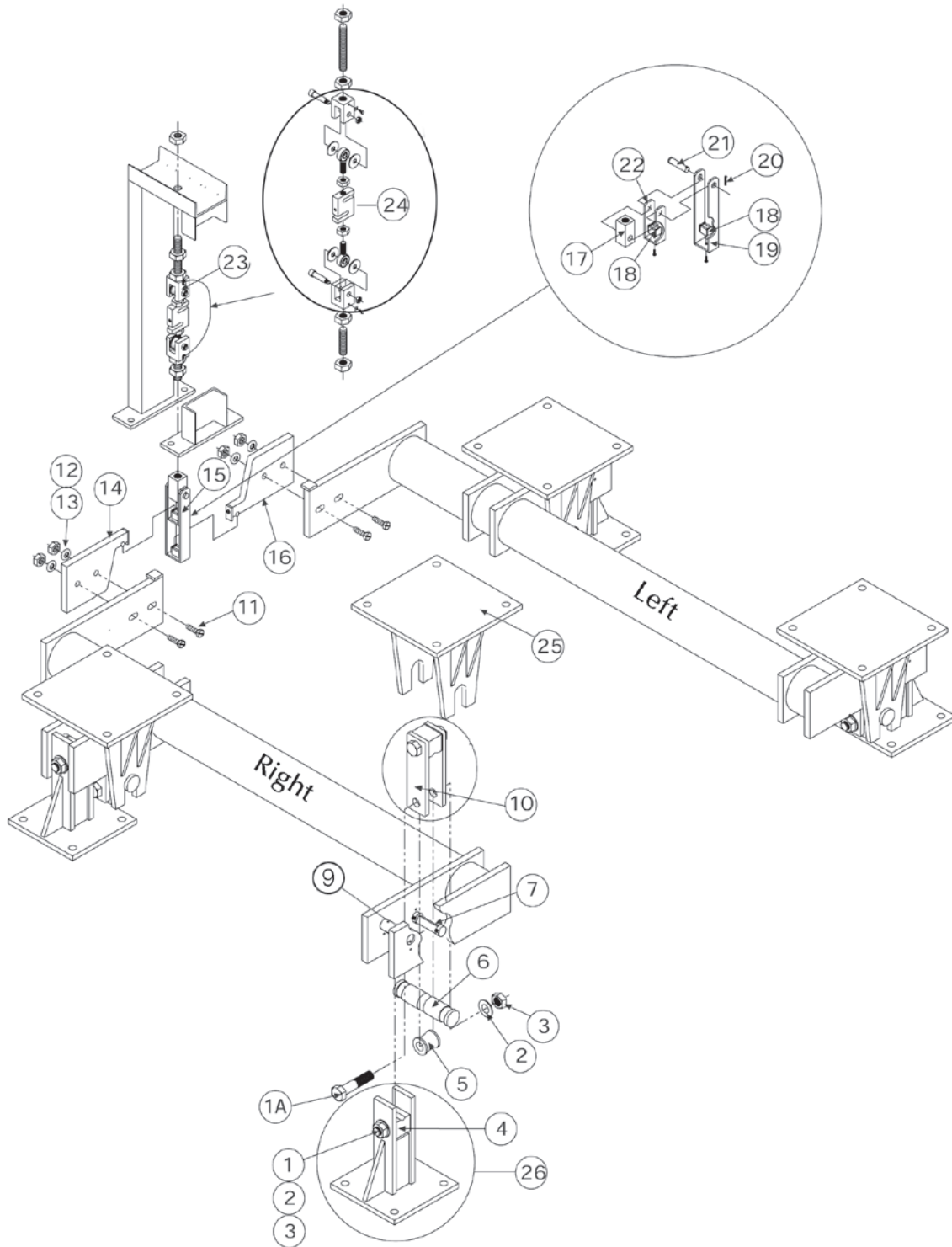
RICE LAKE WEIGHING

REF#	PN	DESCRIPTION	PRICE
1	40174	Bolt	\$2.00
2	15179	Washer.....	\$1.50
3	14697	Lock nut.....	\$1.50
4	39990	Bearing.....	\$70.00
5	39991	Spool	\$65.00
6	39993	Trunnion Pin	\$130.00
7	0525-0056	Pivot.....	\$53.00
8	39988	Loop assembly.....	\$240.00
9	39101	Drive screw	\$1.50
10	39989	Loop side plate	\$35.00
11	26344	Cap screw.....	\$3.00
12	15177	Washer.....	\$1.50
13	40181	Lock nut	\$1.50
14	39975	Nose iron assembly, right	\$170.00
15	39969	Shackle assembly, nose iron connection.....	\$165.00
16	39972	Nose iron assembly, left.....	\$170.00
17	39963	Shackle support block, center connection	\$54.00
18	CM764	Bearing with friction plates	\$41.00
19	39971	Large shackle loop, center connection.....	\$91.00
20	15244	Cotter pin	\$1.50
21	22102	Clevis pin.....	\$3.00
22	39970	Small shackle loop, center connection.....	\$91.00
23	17899	ITCM mount, mild steel without load cell.....	\$305.00
24	21443	Load cell, RL20000 - 5k	\$440.00
25	*39978	Girder chair	\$340.00
26	*39982	Fulcrum stand assembly	\$295.00
* The standard PN is shown; however, this part can be customized. Please specify any customized parts when ordering replacements.			
28	39964	Load cell stand.....	\$240.00
29	39962	Rod upper.....	\$45.00
30	39961	Rod lower.....	\$35.00
31	126994	3/4-10 NC nut.....	\$0.35
32	14686	3/4-10 NC jam nut.....	\$1.00
25,000			
	40378	4 x 4.....	\$2,900.00
	40379	5 x 5.....	\$3,060.00
	40380	6 x 6.....	\$5,500.00
	40381	7 x 7.....	\$3,380.00
	40382	8 x 8.....	\$3,540.00
	40383	9 x 9.....	\$3,700.00
	40384	10 x 10.....	\$3,860.00
30,000			
	39935	5 x 5.....	\$3,300.00
	39936	6 x 6.....	\$3,540.00
	39937	7 x 7.....	\$3,780.00
	39938	8 x 8.....	\$4,895.00
	39939	9 x 9.....	\$4,260.00
	39940	10 x 10.....	\$4,500.00

(See Diagram Pipe Lever Scale Type I)

Rice Lake Weighing

Pipe Lever Scale Type I, 25K/30K



Pipe Lever Scale Type I

RICE LAKE WEIGHING

Rice Lake Weighing

Pipe Lever Scale Type I, 40K/50K



RICE LAKE WEIGHING

REF#	PN	DESCRIPTION	PRICE
1	39164	Bolt	\$15.00
2	15190	Washer.....	\$1.50
3	22457	Lock nut.....	\$10.00
4	39134	Bearing.....	\$83.00
5	39135	Spool	\$70.00
6	39131	Trunnion Pin	\$145.00
7	0525-0070	Pivot.....	\$54.00
8	39133	Loop assembly.....	\$260.00
9	39101	Drive screw	\$1.50
10	39132	Loop side plate	\$45.00
11	15097	Cap screw.....	\$4.00
12	15179	Washer.....	\$1.50
13	14697	Lock nut	\$1.50
14	39119	Nose iron assembly, right	\$170.00
15	39148	Shackle assembly, nose iron connection.....	\$185.00
16	39116	Nose iron assembly, left.....	\$170.00
17	39143	Shackle support block, center connection	\$85.00
18	39146	Bearing with friction plates	\$40.00
19	39144	Large shackle loop, center connection.....	\$80.00
20	39186	Cotter pin.....	\$1.50
21	39185	Clevis pin.....	\$14.00
22	39145	Small shackle loop, center connection	\$52.00
23	17900	ITCM mount, mild steel without load cell.....	\$305.00
24	21444	Load cell, RL20000 - 10,000lb	\$440.00
25	*39136	Girder chair	\$340.00
26	39128	Fulcrum stand assembly	\$295.00

* The standard PN is shown; however, this part can be customized.
Please specify any customized parts when ordering replacements.

Components of PN 42499

27	42500	Hold-down chain option.....	\$240.00
----	-------	-----------------------------	----------

Components of PN 42500

	22138	Washer, plain 1 Type A	\$0.50
	42098	Chain, 3/4 Grade 40	\$75.00
28	39140	Load cell stand, SST	\$240.00
29	39142	Rod upper, SST	\$30.00
30	39141	Rod lower.....	\$25.00
31	90860	1-8 NC nut.....	\$2.00
32	14701	1-8 NC jam nut	\$1.15

40,000

	39152	5 x 5.....	\$8,995.00
	39153	6 x 6.....	\$8,995.00
	39154	7 x 7.....	\$8,995.00
	39155	8 x 8.....	\$8,995.00
	39156	9 x 9.....	\$8,995.00
	39157	10 x 10.....	\$8,995.00

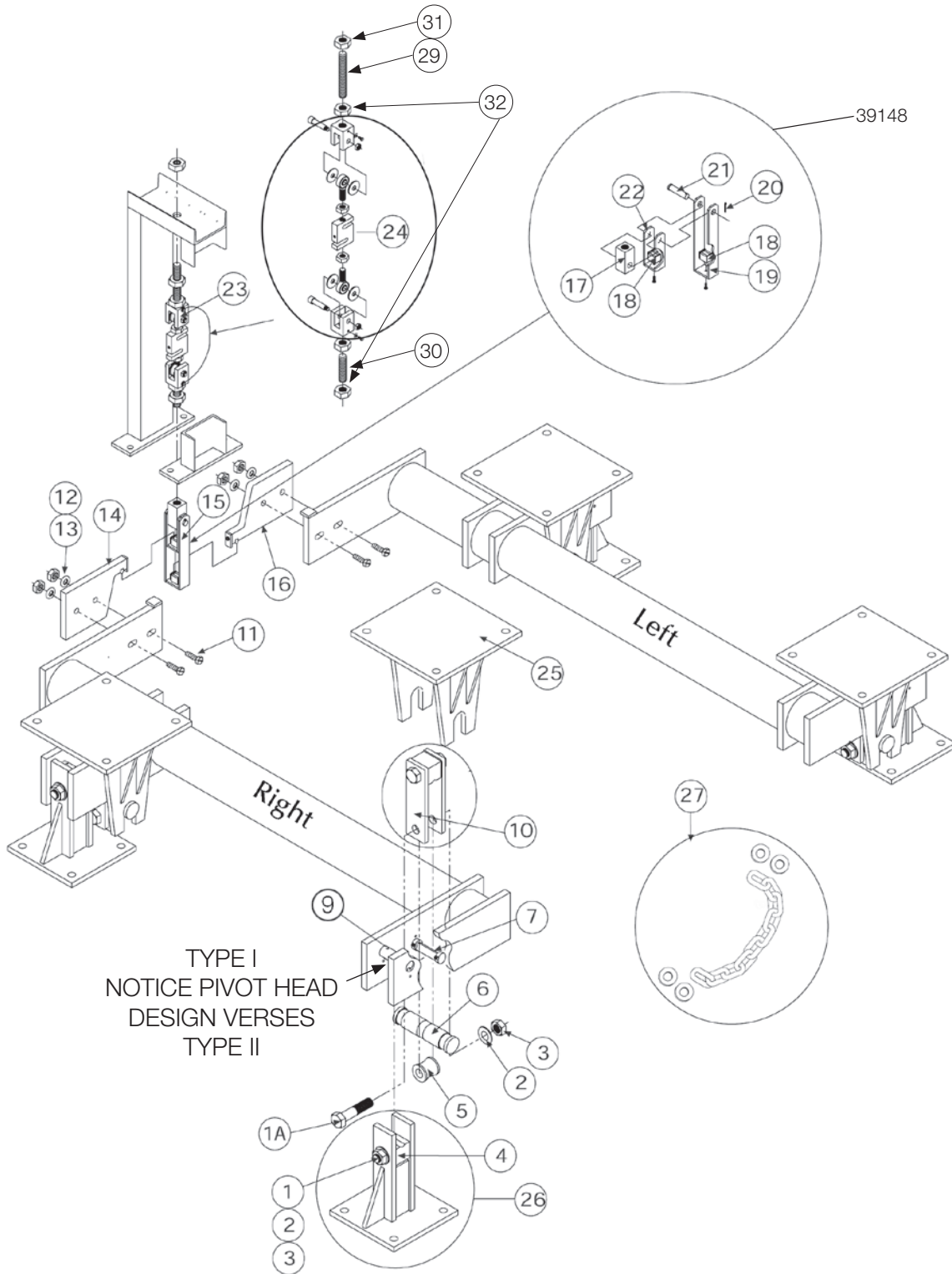
50,000

	39158	5 x 5.....	\$8,995.00
	39159	6 x 6.....	\$8,995.00
	39160	7 x 7.....	\$8,995.00
	39161	8 x 8.....	\$8,995.00
	39162	9 x 9.....	\$8,995.00
	39163	10 x 10.....	\$8,995.00

(See Diagram Pipe Lever Scale Type I)

Rice Lake Weighing

Pipe Lever Scale Type I, 40K/50K



Pipe Lever Scale Type I

RICE LAKE WEIGHING

Rice Lake Weighing

Pipe Lever Scale Type II 25K, Mild Steel

MILD STEEL SCALE PN, SIZE (INCHES) AND COMPONENT PN

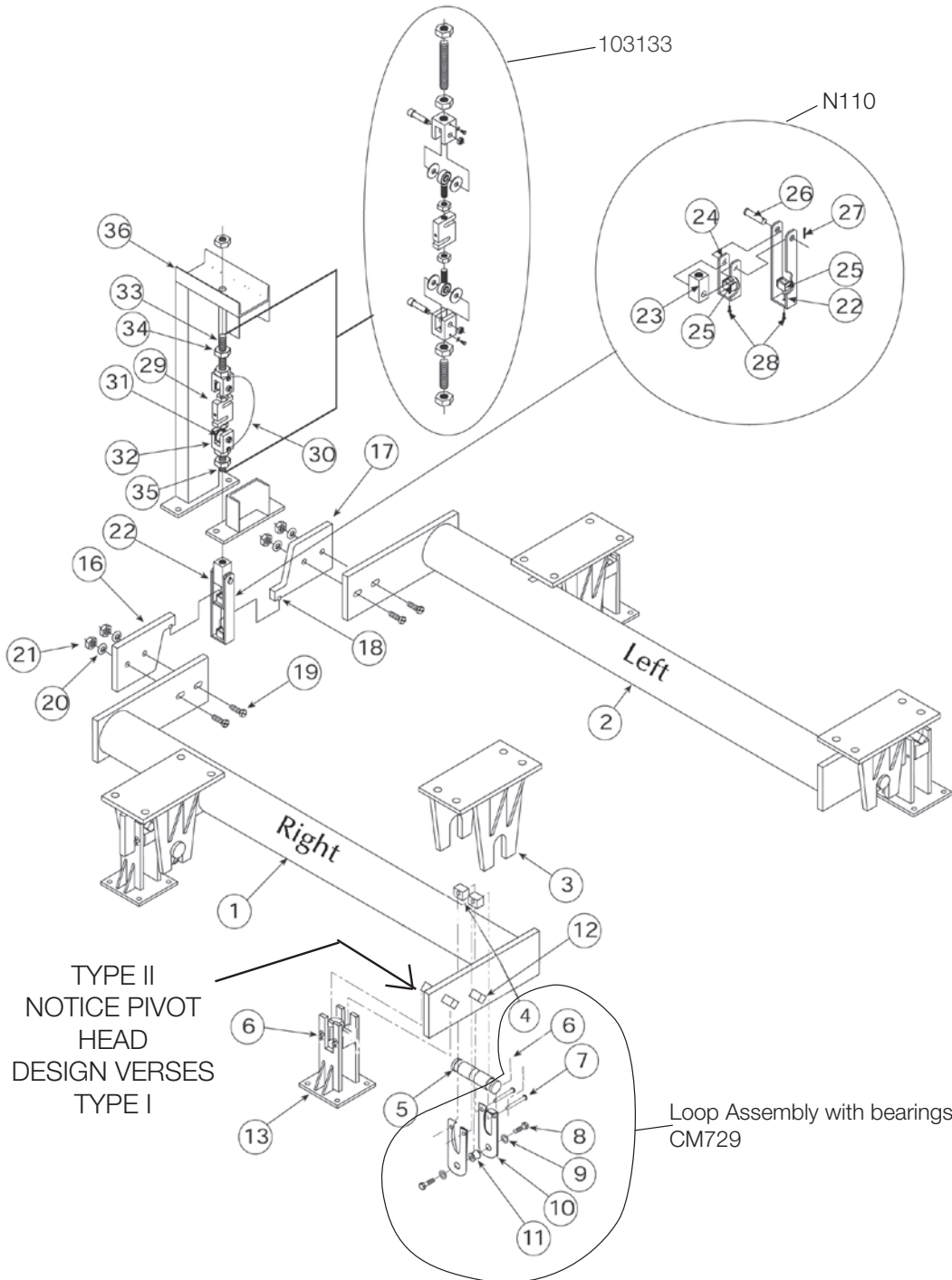
MODEL #	MILD STEEL SCALE PN, SIZE (INCHES) AND COMPONENT PN								
	PLS25-3	PLS25-1	PLS25-2	PLS25-4	PLS25-5	PLS25-6	PLS7272-25		
PN	29587	29586	29588	29589	35008	35009	40409		
DIMENSIONS	625/8 x 625/8	601/2 x 66	661/2 x 91	64 x 64	62 x 92	62 x 105	72 x 72		
REF#	DESCRIPTION	QTY							
1	Main pipe lever, right	1	35005	35001	35003	35007	35011	35013	40473
2	Main pipe lever, left	1	35004	35000	35002	35006	35010	35012	40472
3	Girder chair	4	35045	35058	35045	35051	35051	35051	40478
4*	Bearing	8	CM755	CM755	CM755	CM755	CM755	CM755	CM755
5	Pin, trunnion	4	CM773	CM773	CM773	CM773	CM773	CM773	CM773
6*	Pin, cotter	16	15232	15232	15232	15232	15232	15232	15232
7*	Pin, clevis	8	15295	15295	15295	15295	15295	15295	15295
8*	Bolt, hex	8	14739	14739	14739	14739	14739	14739	14739
9*	Washer, plain STD	8	21938	21938	21938	21938	21938	21938	21938
10*	Side plate, loop	8	CM729-1	CM729-1	CM729-1	CM729-1	CM729-1	CM729-1	CM729-1
11*	Spool	4	CM729-2	CM729-2	CM729-2	CM729-2	CM729-2	CM729-2	CM729-2
12	Pivot	8	65351	65351	65351	65351	65351	65351	65351
13	Fulcrum stand, assembly, clevis pin	4	35055	35055	35055	35054	35054	35054	40483
16	Nose iron, left	1	35049	35049	35049	N107	N107	N107	40469
17	Nose iron, right	1	35048	35048	35048	N106	N106	N106	40468
18	Pivot	2	CM761P	CM761P	CM761P	CM761P	CM761P	CM761P	CM761P
19	Screw cap	4	22096	22096	22096	22096	22096	22096	22096
20	Washer plain	4	15173	15173	15173	15173	15173	15173	15173
21	Nut, flexloc	4	22076	22076	22076	22076	22076	22076	22076
22	Shackle loop, large	1	CM791-1	CM791-1	CM791-1	CM791-1	CM791-1	CM791-1	CM791-1
23	Shackle support block	1	N109	N109	N109	N109	N109	N109	N109
24	Shackle loop, small	1	CM791-2	CM791-2	CM791-2	CM791-2	CM791-2	CM791-2	CM791-2
25	Bearing assembly	2	CM764	CM764	CM764	CM764	CM764	CM764	CM764
26	Pin, clevis	1	22102	22102	22102	22102	22102	22102	22102
27	Pin, cotter	1	15244	15244	15244	15244	15244	15244	15244
28	Screw, machine	2	22005	22005	22005	22005	22005	22005	22005
29	Load cell, SBM RL 20000 - 3k	1	21442	21442	21442	21442	21442	21442	21442
30	Ground strap	1	17779	17779	17779	17779	17779	17779	17779
31	Rod end	2	17740	17740	17740	17740	17740	17740	17740
32	Clevis assembly	2	17788	17788	17788	17788	17788	17788	17788
33	Shackle support rod	1	35084	35084	35084	N111	N111	N111	40471
34	Nut, jam	3	14676	14676	14676	14676	14676	14676	14676
35	Adapter, threaded	1	33571	33571	33571	33571	33571	33571	33571
36	Load cell support stand	1	35036	35036	35036	35059	35059	35059	40475

* CM729 with bearings

(See Diagram Lever Scale Type II-Mild Steel)

Rice Lake Weighing

Pipe Lever Scale Type II 25K, Mild Steel



Lever Scale Type II
Mild Steel

RICE LAKE WEIGHING

TYPE II
NOTICE PIVOT
HEAD
DESIGN VERSES
TYPE I

Loop Assembly with bearings
CM729

Rice Lake Weighing

Pipe Lever Scale Type II 25K, Stainless Steel

STAINLESS STEEL SCALE PN, SIZE (INCHES) AND COMPONENT PN

MODEL #	PLS25-3SST	PLS25-1SST	PLS25-2SST	PLS25-4SST	PLS25-5SST	PLS25-6SST
PN	46264	46265	98196	50172	50173	50174
DIMENSIONS	625/8 x 625/8	60 1/2 x 66	66 1/2 x 91	64 x 64	62 x 92	62 x 105

REF#	DESCRIPTION	QTY						
1	Main pipe lever, right	1	46268	46270	46272	50198	50195	50197
2	Main pipe lever, left	1	46267	46269	46271	50175	50194	50193
3	Girder chair	4	98433	98433	98433	50178	50178	50178
4*	Bearing	8	46323	46323	46323	46323	46323	46323
5	Pin, trunnion	4	46302	46302	46302	46302	46302	46302
6*	Pin, cotter	16	15233	15233	15233	15233	15233	15233
7*	Pin, clevis	8	47992	47992	47992	47992	47992	47992
8*	Screw cap	8	21949	21949	21949	21949	21949	21949
9*	Washer plain STD	8	15161	15161	15161	15161	15161	15161
10*	Side plate, loop	8	46300	46300	46300	46300	46300	46300
11*	Spool	4	46301	46301	46301	46301	46301	46301
12**	Pivot	8	65351	65351	65351	65351	65351	65351
13	Fulcrum stand, assembly	4	98437	98437	98437	50182	50182	50182
16	Nose iron, left	1	46303	46303	46303	46303	46303	46303
17	Nose iron, right	1	46304	46304	46304	46304	46304	46304
18	Pivot	2	46307	46307	46307	46307	46307	46307
19	Screw cap	4	38210	38210	38210	38210	38210	38210
20	Washer plain	4	15175	15175	15175	15175	15175	15175
21	Nut, lock	4	14666	14666	14666	14666	14666	14666
22	Shackle loop, large	1	46289	46289	46289	46289	46289	46289
23	Shackle support block	1	46295	46295	46295	46295	46295	46295
24	Shackle loop, small	1	46292	46292	46292	46292	46292	46292
25	Bearing assembly	2	46296	46296	46296	46296	46296	46296
26	Pin, clevis	1	47994	47994	47994	47994	47994	47994
27	Pin, cotter	1	47993	47993	47993	47993	47993	47993
28	Screw, machine	2	47995	47995	47995	47995	47995	47995
29	Load cell, RL 20000 - 3k	1	21442	21442	21442	21442	21442	21442
30	Ground strap	1	17779	17779	17779	17779	17779	17779
31	Rod end	2	33507	33507	33507	33507	33507	33507
32	Clevis assembly	2	33639	33639	33639	33639	33639	33639
33	Shackle support rod	1	46324	46324	46324	46324	46324	46324
34	Nut, jam	3	14680	14680	14680	14680	14680	14680
35	Adapter, threaded	1	33571	33571	33571	33571	33571	33571
36	Load cell stand		98204	98204	98204	98204	98204	98204

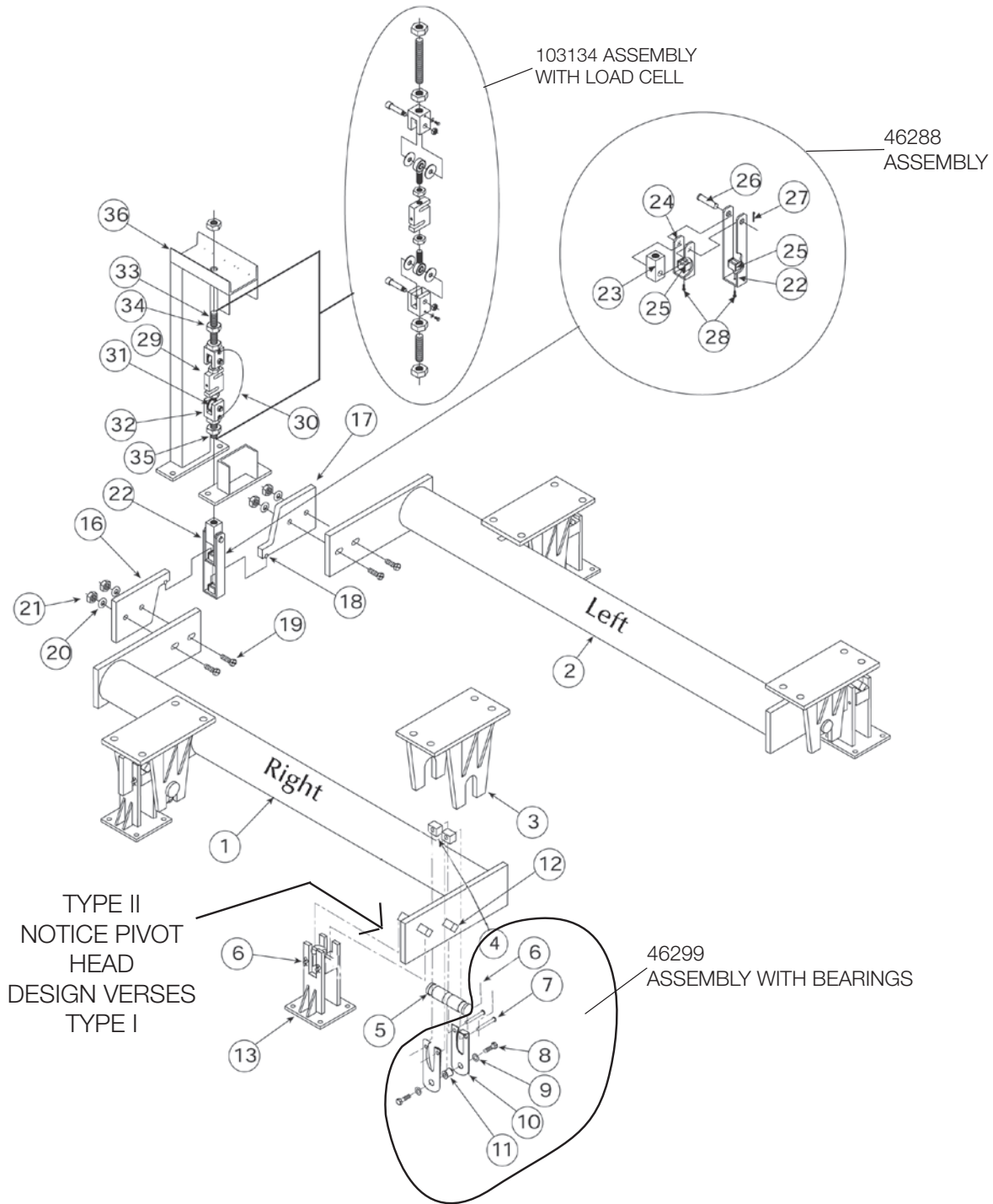
* 46299 with bearings

** Old SST scales used a round pivot, 46285 and wedge 46286

(See Diagram Lever Scale Type II-Stainless Steel)

Rice Lake Weighing

Pipe Lever Scale Type II 25K, Stainless Steel



Lever Scale Type II
Stainless Steel

RICE LAKE WEIGHING

Rice Lake Weighing

Chairs/Stands/Trunnions and Bearings

RICE LAKE WEIGHING

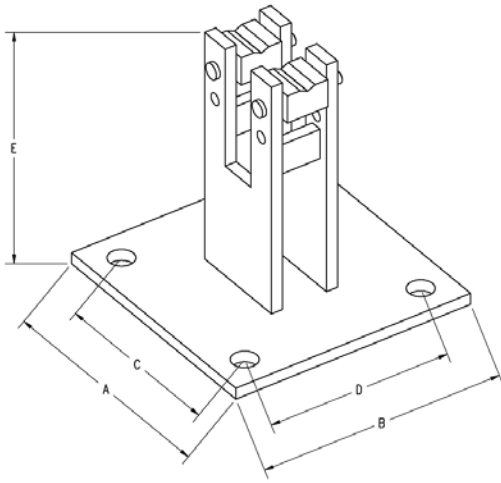
PN	DESCRIPTION	PRICE
CM755	Bearing, 1-3/8 x 15/16.....	\$53.00
CM773	Trunnion	\$93.00
CM783	Fulcrum stand	\$209.00
F731	Bearing.....	\$40.00
35045	Girder chair, 6 1/2 x 10.....	\$185.00
35051	Girder chair, 7 3/4 x 7 3/4	\$185.00
35054	Stand, fulcrum 7 3/4 x 7 3/4	\$185.00
35055	Stand, fulcrum 6 x 6 base.....	\$185.00
35058	Girder chair, 6 x 7 3/4 base.....	\$185.00
39128	Fulcrum stand assembly, 40K.....	\$295.00
39131	Pin, trunnion 2 3/8 diameter.....	\$145.00
39134	Bearing, 2 5/8 x 2 5/8 x 3 1/4	\$83.00
39136	Girder chair, 40k and 50k.....	\$340.00
39523	Pin, trunnion 7/8 diameter.....	\$70.00
39524	Fulcrum stand assembly, 5k.....	\$295.00
39529	Girder chair, 5k pipe.....	\$340.00
39978	Girder chair, 20k and 25k.....	\$340.00
39982	Fulcrum stand assembly, 20k.....	\$295.00
39990	Bearing, 1 3/4 x 2 x 2 1/2	\$70.00
39993	Pin, trunnion 1 5/8 diameter.....	\$130.00
40449	Girder chair, 10k pipe.....	\$340.00
40452	Fulcrum stand assembly, 10k.....	\$295.00
40460	Bearing 1 3/16 x 1 1/4	\$60.00
40461	Pin, trunnion 1 1/8 diameter.....	\$90.00
40478	Girder chair, 8 x 8 base	\$185.00
46302	Pin, trunnion 1 1/4 diameter.....	\$120.00
46308	Girder chair, 25k SST pipe	\$295.00
98437	Fulcrum stand assembly, 25k.....	\$295.00
50178	Girder chair, 7 3/4 x 7 3/4	\$295.00
50182	Stand, fulcrum 7 3/4 x 7 3/4	\$290.00

Rice Lake Weighing

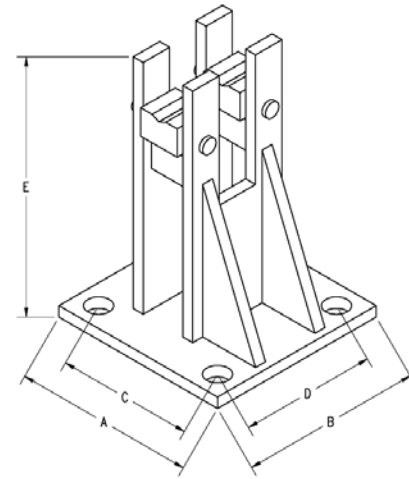
Pipe Lever Stands

PN	Capacity	Style	Material	A	B	C	D	E	Bearing PN
CM783	25K	A	Steel	8	8	8 1/8	6	6	CM755
35055	25K	B	Steel	6	6	4 1/2	4 1/2	8 5/8	CM755
98457	25K	B	SST	6	6	4 1/2	4 1/2	8 5/8	46323
35054	25K	B	Steel	7 3/4	7 3/4	4 1/2/6	6	8 1/8	CM755
50040	25K	B	Steel	6	7 3/4	6	4 1/2	8 1/8	CM755
50182	25K	B	SST	7 3/4	7 3/4	4 1/2	6	8 1/8	46323
39524	5K	C	Steel	5	5	3 1/2	3 1/2	5	F731
40452	10K	C	Steel	6	6	4 1/2	4 1/2	6 3/4	40460
39982	20K/25K/30K	C	Steel	9	9	6 1/2	6 1/2	11 1/8	39990
39128	40K/50K	C	Steel	12	12	9 1/4	9 1/4	14 3/4	39134
101601	60K	C	Steel	12	12	7 1/2	5	14 3/4	39134
115797	25K/30K	D	Steel	6	6	-	-	6 17/32	CM755

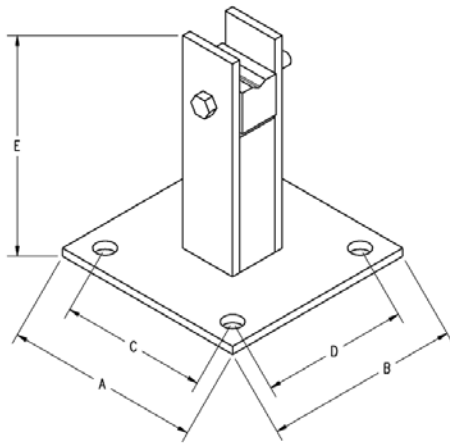
RICE LAKE WEIGHING



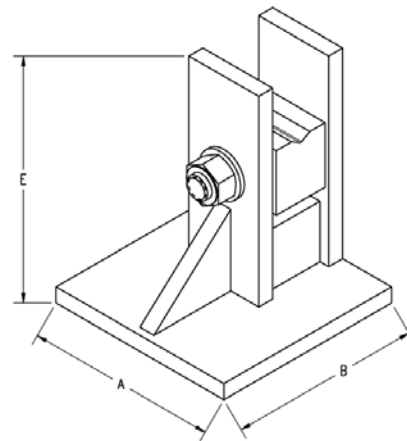
STYLE A



STYLE B



STYLE C

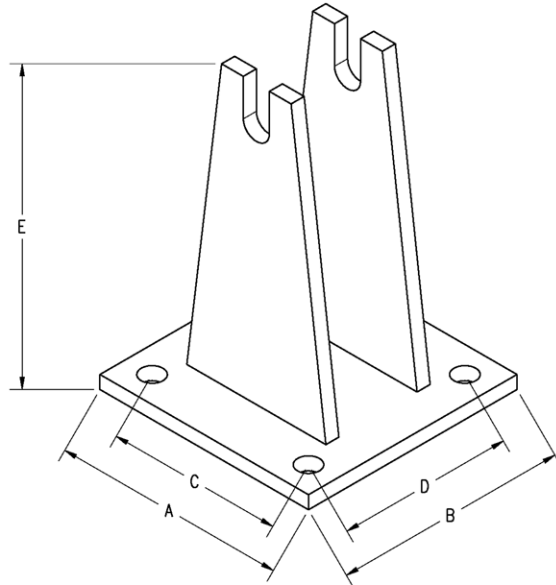


STYLE D

Rice Lake Weighing

Girder Chairs

PN	Capacity	Material	A	B	C	D	E	Trunnion PN
CM776	25K	Steel	7 3/4	7 3/4	4/6	6	10 1/2	CM773
35051	25K	Steel	7 3/4	7 3/4	4/6	6	9 1/2	CM773
40478	25K	Steel	8	8	6	6	9 1/2	CM773
50178	25K	SST	7 3/4	7 3/4	4/6	6	9 1/2	46302
35045	25K	Steel	10	6 1/2	7 1/2	3	9 1/2	CM773
98433	25K	SST	10	6 1/2	7 1/2	3	9 1/2	46302
35058	25K	Steel	6	7 3/4	-	5 3/4	9 1/2	CM773
39529	5K	Steel	7	5 1/2	5 1/2	5 1/2	6 1/4	39523
40449	10K	Steel	7 1/2	7 1/2	6	6	6 7/8	40461
39978	25K/30K	Steel	12	12	9 1/2	9 1/2	11 1/8	39993
Sp	40K	Steel	12	16	6 1/2	11	15 1/8	39131
39136	40K/50K	Steel	16	16	13	13	15 1/8	39131
102453	40K	Steel	same as 39186 but corners cut off					39131
102454	40K	Steel	same as 39186 but corners cut off					39131



RICE LAKE WEIGHING

Hopper Scale Kits for Type I and II

Pivot and Bearing Kit Type 1

Kit No. 154148

5K Basic Kit

QTY	RL PN	DESCRIPTION
-----	-------	-------------

8.....	T195P	Pivot, load and fulcrum
8.....	F731	Bearing, load and fulcrum
2.....	CM761P	Pivot, tip
2.....	CM764.....	Bearing, tip

\$899.00 Suggested list/XX lb shipping weight

Kit No. 154150

5K Kit With Complete Assemblies

QTY	RL PN	DESCRIPTION
-----	-------	-------------

8.....	T195P	Pivot, load and fulcrum
4.....	F731	Bearing, fulcrum
4.....	39549	Loop assembly with bearing
1.....	N110.....	Tip connection
1.....	35048	Nose iron, right
1.....	35049	Nose iron, left
4.....	39523	Trunnion pins

\$2,151.00 Suggested list/XX lb shipping weight

Kit No. 154151

10K Basic Kit

QTY	RL PN	DESCRIPTION
-----	-------	-------------

8.....	T197P	Pivot, load and fulcrum
8.....	40460	Bearing, load and fulcrum
2.....	CM7618.....	Pivot, tip
2.....	CM764.....	Bearing, tip

\$1,293.00 Suggested list/77 lb shipping weight

Pivot and Bearing Kit Type 1

Kit No. 154152

10K Kit With Complete Assemblies

QTY	RL PN	DESCRIPTION
8.....	T195P	Pivot, load and fulcrum
4.....	40460	Bearing, load and fulcrum
4.....	40457	Loop assembly, load
1.....	35048	Nose iron, right
1.....	35049	Nose iron, left
1.....	N110.....	Shackle assembly, nose iron
4.....	40461	Trunnion pins

\$2,910.00 Suggested list/XX lb shipping weight

Kit No. 154153

25K and 30K Basic Kit

QTY	RL PN	DESCRIPTION
8.....	0525-0056.....	Pivot, load and fulcrum
8.....	39990	Bearing, load and fulcrum
2.....	CM761P	Pivot, nose iron
2.....	CM764.....	Bearing, tip connection

\$1,324.00 Suggested list/XX lb shipping weight

Kit No. 154154

25K and 30K Kit With Complete Assemblies

QTY	RL PN	DESCRIPTION
8.....	0525-0056.....	Pivot, load and fulcrum
4.....	39990	Bearing, fulcrum
4.....	39988	Loop assembly, load
1.....	39975	Nose iron, right
1.....	39972	Nose iron, left
1.....	39969	Shackle assembly
4.....	39993	Trunnion

\$3,454.00 Suggested list/XX lb shipping weight

Pivot and Bearing Kit Type 1

Kit No. 154156

40K and 50K Basic Kit

QTY	RL PN	DESCRIPTION
8.....	0525-0070.....	Pivot, load and fulcrum
8.....	39134.....	Bearing, load and fulcrum
2.....	0525-0059.....	Pivot, tip
2.....	39146.....	Bearing, tip

\$1,514.00 Suggested list/XX lb shipping weight

Kit No. 154155

40K and 50K Kit With Complete Assemblies

QTY	RL PN	DESCRIPTION
8.....	0525-0070.....	Pivot, load and fulcrum
4.....	39134.....	Bearing, fulcrum
4.....	39133.....	Loop assembly, with bearings
1.....	39148.....	Tip connections
1.....	39116.....	Nose iron, left
1.....	39119.....	Nose iron, right
4.....	39131.....	Trunnion

\$4,428.00 Suggested list/XX lb shipping weight

RICE LAKE WEIGHING

Rice Lake Weighing

Type II Hopper Scale Repair Kits

Kit No. 108647 Tool Steel Scales

This is a repair kit for models PLS-25-1, PLS-25-2, PLS-25-3, PLS-25-4, PLS-25-5, PLS-25-6 and PLS-7272-25

QTY	RL PN	DESCRIPTION
8.....	65351	Pivot, load and fulcrum
4.....	CM729	Loops, load
8.....	CM755.....	Bearing, fulcrum
1.....	N110.....	Tip connection
2.....	CM761P	Pivots, tip
8.....	15297	Pin, stand bearing
8.....	15232	Pin, cotter
4.....	CM773.....	Trunnion

\$2,012.00 Suggested list 327/33 lb shipping weight

Kit No. 108648 Stainless Steel Scales

This is a repair kit for models PLS-25-1SST, PLS-25-2SST, PLS-25-3SST, PLS-25-4SST, PLS-25-5SST and PLS-25-6SST

QTY	RL PN	DESCRIPTION
*8.....	65351	Pivot, load and fulcrum
4.....	46299	Loop, load
1.....	46288	Center connection
2.....	46307	Pivot, tip
8.....	46323	Bearing, stand
4.....	46302	Trunnion
8.....	47992	Pin, stand bearing
8.....	15233	Cotter key

\$3,068.00 Suggested list/33 lb shipping weight

* 65351 is for newer style scales with 3/4 in square pivots. Old style uses round pivot

PN 46285 x wedge 46286. Page 351

RICE LAKE WEIGHING

