

Intercom Kiosk

Installation Manual



© Rice Lake Weighing Systems. All rights reserved.

Rice Lake Weighing Systems® is a registered trademark of
Rice Lake Weighing Systems.

All other brand or product names within this publication are trademarks or
registered trademarks of their respective companies.

All information contained within this publication is, to the best of our knowledge, complete and
accurate at the time of publication. Rice Lake Weighing Systems reserves the right to make
changes to the technology, features, specifications and design of the equipment without notice.

The most current version of this publication, software, firmware and all other product
updates can be found on our website:

www.ricelake.com

Revision History

This section tracks and describes manual revisions for awareness of major updates.

Revision	Date	Description
A	December 1, 2022	Initial manual release with the launch of the product

Table i. Revision Letter History



Technical training seminars are available through Rice Lake Weighing Systems. Course descriptions and dates can be viewed at www.ricelake.com/training or obtained by calling 715-234-9171 and asking for the training department.

Contents

1.0 Introduction	5
1.1 Safety	5
1.2 Specifications	6
2.0 Installation	7
2.1 Unpacking	7
2.2 Mounting	7
2.3 Interior Access	8
2.4 Torque Ratings	8
2.5 Cable Connections	9
2.6 Wiring Diagram	9
2.7 Power Supply Cable	10
2.8 Ethernet Cable	10
2.9 Intercom Software	11
2.10 Microphone Switch	11
3.0 Replacement Parts	12



Rice Lake continually offers web-based video training on a growing selection of product-related topics at no cost. Visit www.ricelake.com/webinars

1.0 Introduction

This manual is intended for use by service technicians responsible for installing and servicing the product. The intercom kiosk features FRP enclosure with a speaker, microphone and call button.



Manuals and additional resources are available from Rice Lake Weighing Systems at www.ricelake.com/manuals

Warranty information can be found on the website at www.ricelake.com/warranties

1.1 Safety

Safety Signal Definitions:



DANGER: Indicates an imminently hazardous situation that, if not avoided, will result in death or serious injury. Includes hazards that are exposed when guards are removed.



WARNING: Indicates a potentially hazardous situation that, if not avoided, could result in serious injury or death. Includes hazards that are exposed when guards are removed.



CAUTION: Indicates a potentially hazardous situation that, if not avoided, could result in minor or moderate injury.



IMPORTANT: Indicates information about procedures that, if not observed, could result in damage to equipment or corruption to and loss of data.

General Safety



Do not operate or work on this equipment unless this manual has been read and all instructions are understood. Failure to follow the instructions or heed the warnings could result in injury or death. Contact any Rice Lake Weighing Systems dealer for replacement manuals.



WARNING: Failure to heed could result in serious injury or death.

Do not allow minors (children) or inexperienced persons to operate this product.

Do not operate without the enclosure completely assembled.

Do not place fingers into slots or possible pinch points.

Do not use this product if any of the components are cracked.

Do not make alterations or modifications to the product.

Do not remove or obscure warning labels.

Do not submerge product or parts.

Do not use solvents or aggressive substances to clean the product.

Product maintenance and repair must be performed by qualified service personnel only.

Before opening the product, ensure the power cord is disconnected from the power source.

For permanently connected equipment, a readily accessible disconnect device must be incorporated in the installation wiring.

Pluggable units must be installed near the power outlet and be easily accessible.

1.2 Specifications

Product Dimensions:

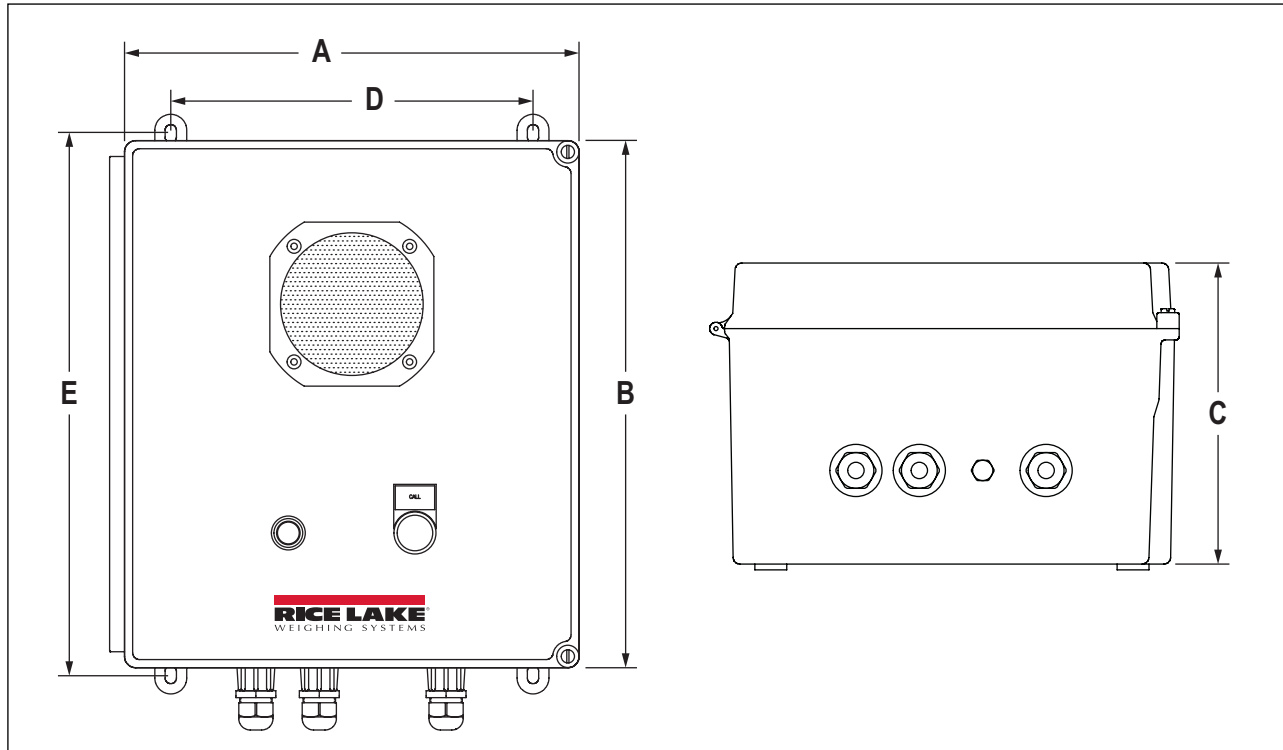


Figure 1-1. Product Dimensions Diagram

A	B	C	D	E
12.55 in (31.88 cm)	14.55 in (36.96 cm)	8.31 in (21.11 cm)	10.0 in (254.0 cm)	15.0 in (381.0 cm)

Table 1-1. Product Dimensions

Wiring:

CAT5 to Ethernet adapter

Communication:

PC software functions as base station for networked intercom system

Software Program:

TalkMaster FOCUS, download directly from:

www.digitalacoustics.com/talkmaster-focus-software-download

For more details on the intercom software, see [Section 2.9](#) on page 11.

2.0 Installation

This section describes installation details for mounting and cable connections. Assembly drawings and parts lists are also included for the service technician.



WARNING



*Risk of electrical shock.
Risque de choc.*



*Disconnect power before servicing.
Débranchez l'alimentation avant l'entretien.*



AVERTISSEMENT



WARNING: Failure to heed the following statements could result in serious injury or death.

- Procedures requiring work inside the product enclosure must be performed by qualified service personnel only.
- Use a grounding wrist strap to protect components from electrostatic discharge (ESD) damage when working inside the product enclosure.
- Power disconnect must be near the equipment and must be easily accessible.

2.1 Unpacking

Immediately after unpacking, visually inspect product to ensure all components are included and undamaged. If parts were damaged in shipment, notify Rice Lake Weighing Systems and the shipper immediately.



IMPORTANT: Retain the packaging for use in the event that the product must be returned or moved. Damage caused by improper packaging in future transportation is not covered by the warranty.

2.2 Mounting

The intercom kiosk includes two mounting holes at the top and the bottom of the enclosure. The kiosk is intended to be mounted to a flat vertical surface, such as a wall or a swing arm with an appropriate mounting plate.

Using the mounting holes as a template, mark the screw locations and pre-drill holes if needed. Secure the intercom kiosk to the vertical surface with appropriate hardware for the application (not included).

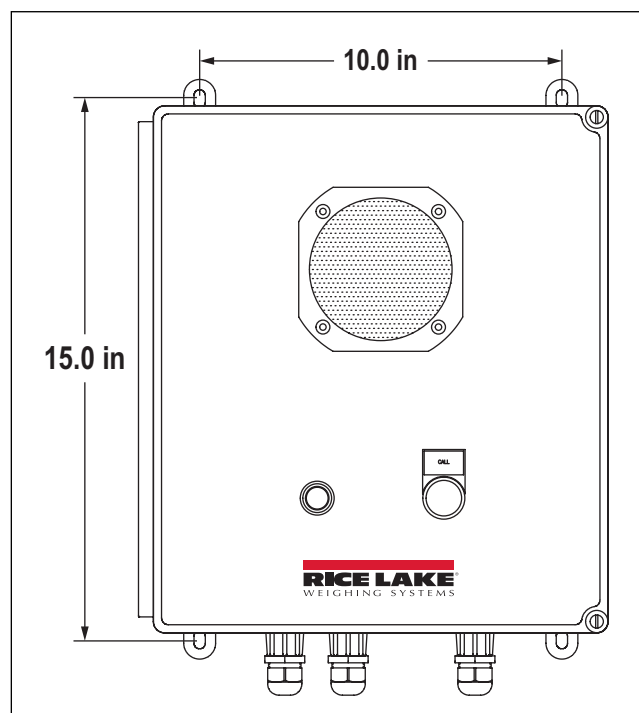


Figure 2-1. Intercom Kiosk Mounting Dimensions

2.3 Interior Access

Open the front door of the of the intercom kiosk to gain access to the interior to connect necessary cables. The kiosk is secured close with two door screws in the corners of the kiosk opposite the hinge.



WARNING: Before opening the unit, ensure power is disconnected.

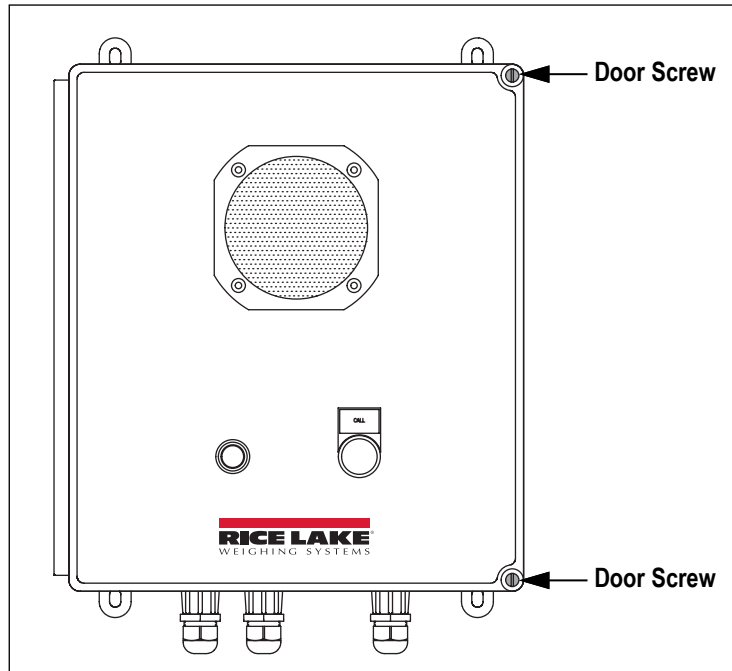


Figure 2-2. Opening the Kiosk Door



NOTE: Torque door screws to 15-20 in-lb (1.7-2.2 N-m) when work inside the enclosure is complete.

2.4 Torque Ratings

Refer to [Table 2-1](#) throughout installation and use of product to maintain proper torque ratings for intercom kiosk components.

Indicator Component	Torque Rating
Door Screw	15-20 in-lb (1.7-2.2 N-m)
Cord Grip Nut (to enclosure)	33 in-lb (3.7 N-m)
Cord Grip Dome Nut (around cable)	22 in-lb (2.5 N-m)

Table 2-1. Component Torque Ratings

2.5 Cable Connections

The intercom kiosk provides three cord grips at the bottom of the enclosure for cabling into the kiosk. One of the cord grips is used for the power supply cable and one is used for the Ethernet communications cable that connects the intercom to the local network. The third cord grip can be used to accommodate an auxiliary device cable.



IMPORTANT: Properly seal cord grips to prevent moisture damage inside of the enclosure. A cable plug must be installed in an unused cord grip. Cord grip dome nuts around a cable or a plug must be torqued to 22 in-lb (2.5 N-m). The cord grip nut against the enclosure must be torqued to 33 in-lb (3.7 N-m).

IMPORTANT: Prohibit open/bare wires outside of enclosure. Ensure stripped portion of cables are entirely inside cord grips.

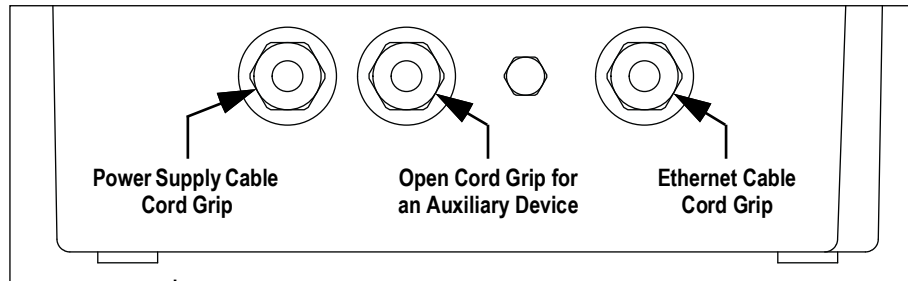


Figure 2-3. Cord Grip Assignments

Cord Grip	Diameter Range
1/2 NPT (PN 15628)	0.197 - 0.472 in (5 - 12 mm)

Table 2-2. Cord Grip Cable Diameter Range

2.6 Wiring Diagram

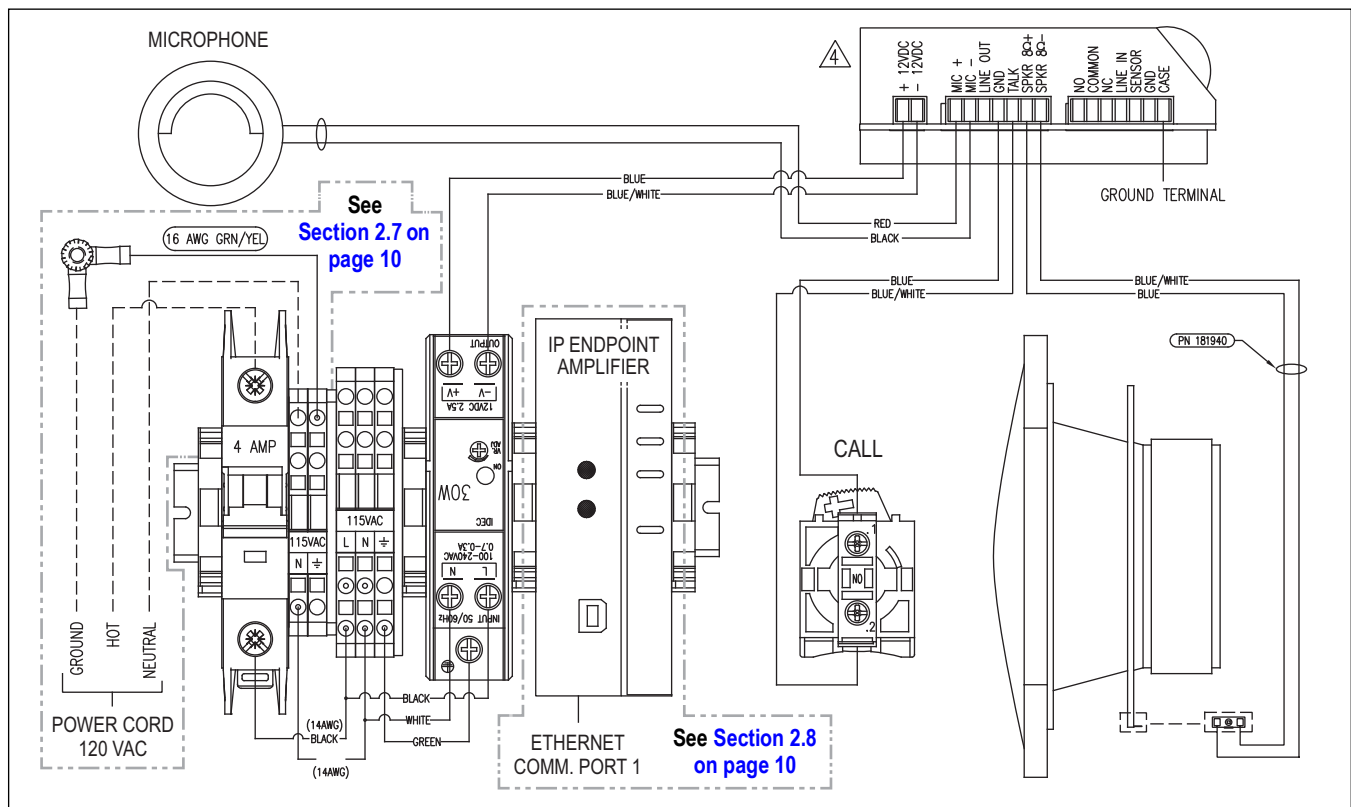


Figure 2-4. Intercom Kiosk Wiring Diagram

2.7 Power Supply Cable

The intercom kiosk does not include a power cable. Use the following steps to ground and connect a 120 VAC power cable.

1. Run the power cable (not included), up through the appropriate cord grip.



NOTE: The recommended cable strip length for the power supply cable is 0.25 in (7 mm). See [Section 2.5 on page 9](#) for the appropriate cord grip location and for proper cord grip torque ratings.

2. One wire must be terminated, to the enclosure grounding stud.
3. Connect the other two wires as illustrated in [Figure 2-5](#).

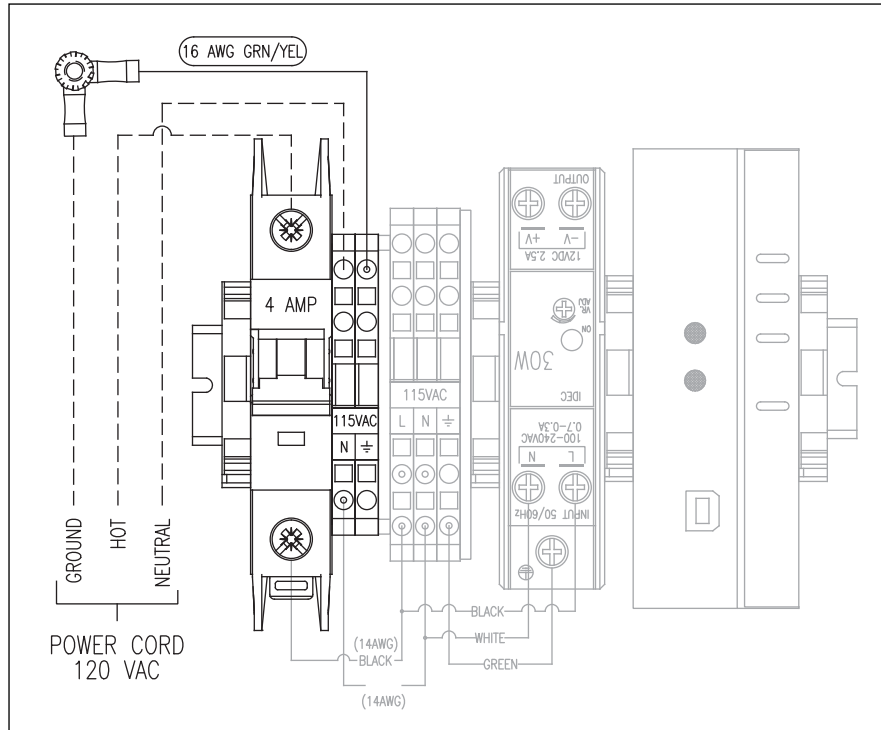


Figure 2-5. AC Power Wiring

2.8 Ethernet Cable

An Ethernet communications cable is needed to connect the intercom to the local network. Use the following steps to route and connect the intercom Ethernet cable.

1. Run the Ethernet cable (not included), up through the appropriate cord grip.



NOTE: See [Section 2.5 on page 9](#) for the appropriate cord grip location and for proper cord grip torque rating.

2. Connect the Ethernet cable to the middle (PoE ENABLED) port on the intercom IP Endpoint amplifier.

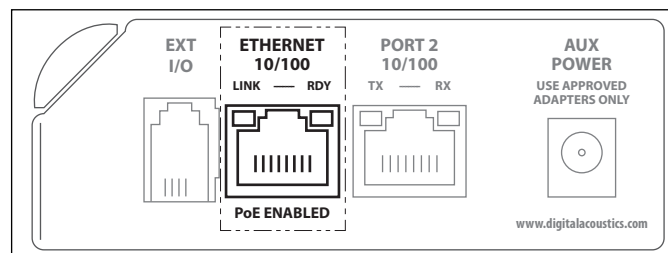


Figure 2-6. IP Endpoint Amplifier Ports

3. Run the other end of the Ethernet cable to a local network connection.

2.9 Intercom Software

The intercom kiosk requires the TalkMaster FOCUS software by Digital Acoustics to operate. TalkMaster FOCUS can be downloaded for free to support a single console (PC) with up to 250 IP Endpoints. Once downloaded, both the Server/Admin Console and the Operator Console must be installed to set up an IP Endpoint and an Operator Console for communication.

Download TalkMaster FOCUS at www.digitalacoustics.com/talkmaster-focus-software-download

Additional details for TalkMaster FOCUS at <https://www.digitalacoustics.com/product/talkmaster-focus/>

TalkMaster FOCUS Enterprise Operator is available from Digital Acoustics if support for multiple consoles (PCs) or multiple operators is needed.

Enterprise Operator details at <https://www.digitalacoustics.com/product/talkmaster-focus-enterprise-operator-software/>

Digital Acoustics also offers TalkMaster Software Maintenance as a yearly subscription to receive access to new features, bug fixes and Windows® updates.

TalkMaster Software Maintenance details at <https://www.digitalacoustics.com/product/talkmaster-software-maintenance/>



NOTE: *TalkMaster FOCUS Enterprise Operator and TalkMaster Software Maintenance purchases are made between the operator and Digital Acoustics, and does not involve Rice Lake Weighing Systems.*

2.10 Microphone Switch

The intercom kiosk has a speaker and a separate microphone that are used for communication. The intercom speaker can also be used as a speaker and a microphone by flipping the microphone switch on the underside of the IP Endpoint amplifier.



NOTE: *If the IP Endpoint amplifier needs to be replaced, the microphone switch will need to be flipped to utilize the intercom kiosk's separate microphone. The microphone switch is correctly positioned in production units.*

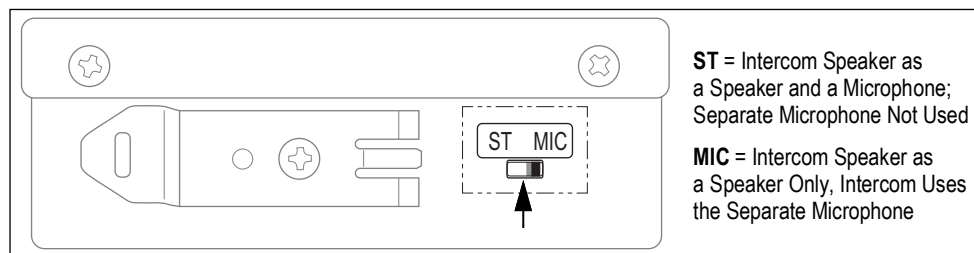


Figure 2-7. IP Endpoint Amplifier Microphone Switch

3.0 Replacement Parts

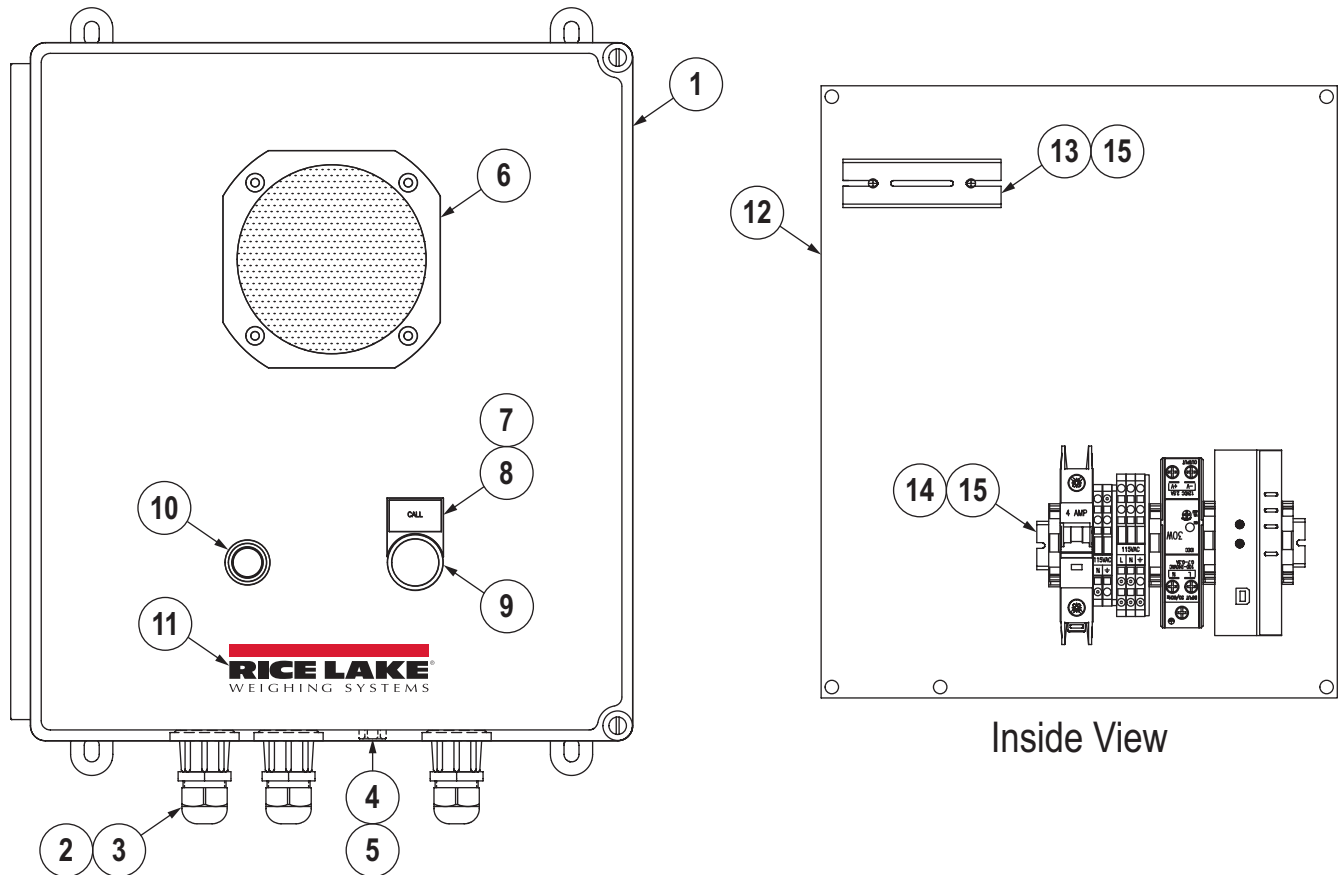


Figure 3-1. Replacement Parts Diagram

Item No.	Part No.	Description	Qty
1	215708	Enclosure, Intercom Kiosk	1
2	15645	Hub, Conduit Zinc 1/2 Inch	3
3	15628	Cord Grip, 1/2 NPT Black	3
4	88733	Vent, Breather Sealed Goretex Membrane, IP69K Rated	1
5	88734	Nut, Breather Vent	1
6	185130	Speaker, Kiosk Outdoor Rated, IP65, 8 OHM at 25W	1
7	94316	Frame, Legend Plate For Use With Round Switches	1
8	185526	Legend Plate, CALL	1
9	94276	Switch, Push Button Momentary Round	1
10	202270	Microphone, Kiosk Panel Mount, Moisture Resistance, Uni-directional 2-10 VDC	1
11	151585	Decal, Rice Lake Weighing Systems 1.0 x 4.5 Inches	1
12	215707	Backplate, Intercom Kiosk, For Mounting Electrical Components	1
13	43372	Rail, DIN 2.5 Inch Length, 35mm Width x 7.5mm High	1
14	86096	Rail, DIN 9 Inch Length, 35mm Width x 7.5mm High	1
15	22087	Screw, Machine 6-32 x 3/8 Phillips	5

Table 3-1. 682 AC Replacement Parts List



© Rice Lake Weighing Systems Specifications subject to change without notice.

230 W. Coleman St. • Rice Lake, WI 54868 • USA

U.S. 800-472-6703 • Canada/Mexico 800-321-6703 • International 715-234-9171 • Europe +31 (0)26 472 1319