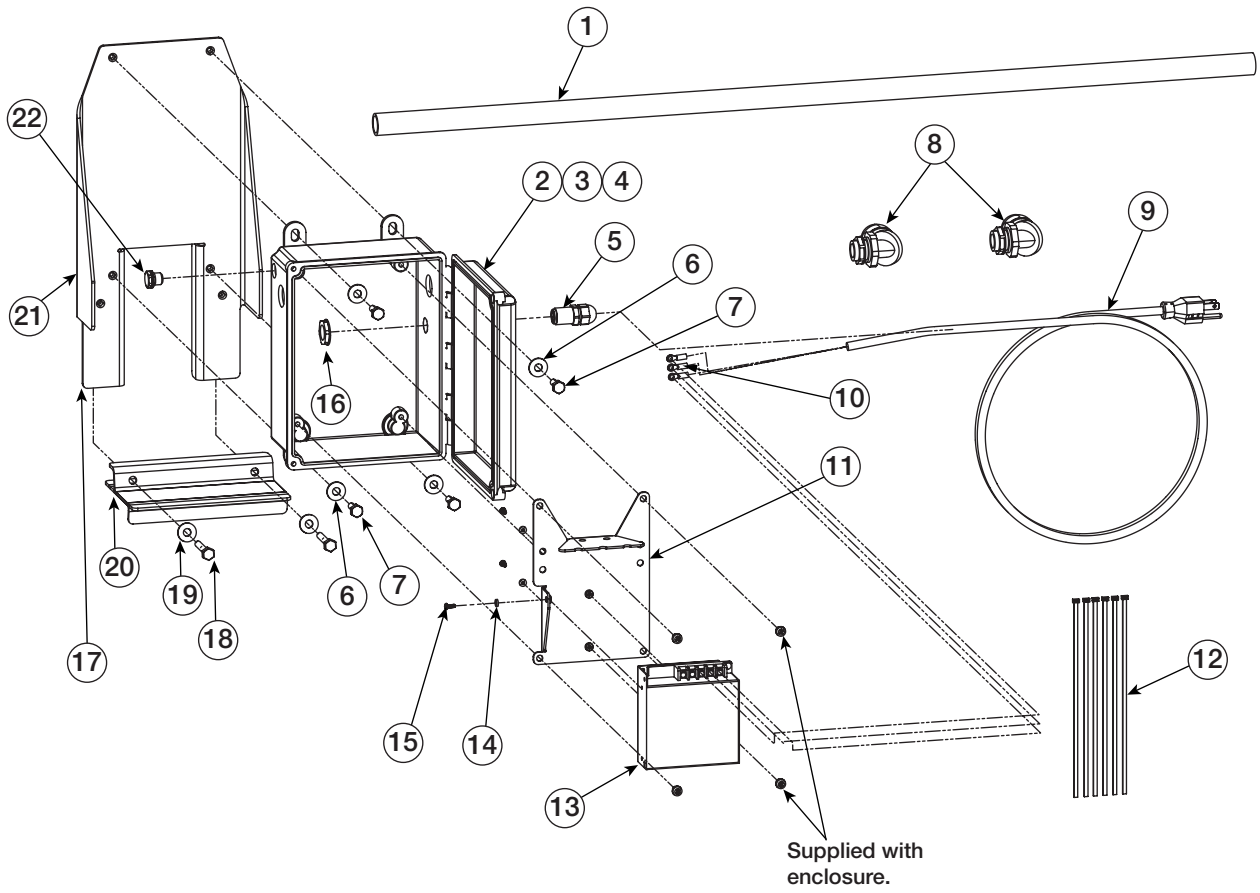


# MAS-P

AC/DC Power Box



LIVESTOCK  
REPLACEMENT PARTS



**Part Number/Price**

Item #	Part #	Description
1	<b>128123</b>	Conduit, non metallic
2	<b>156759</b>	AC/DC adapter box
3	<b>151901</b>	Decal, Caution Not a Step
4	<b>151906</b>	Decal, Warning Do Not Open
5	<b>15656</b>	Locknut, 3/8 NPT
6	<b>81427</b>	Washer, flat 1/4 steel screw, cap 1/4-20 x 3/4 in
7	<b>127008</b>	Screw, cap 1/4-20 x 3/4 in
8	<b>127135</b>	Connector, non-metallic liquid
9	<b>105380</b>	Power cord, pigtail
10	<b>15694</b>	Connector, eye crimp number 8
11	<b>156795</b>	AC/DC power supply, mount
12	<b>16141</b>	Cable tie, 8 in nylon
13	<b>156761</b>	Power supply, switching
14	<b>127028</b>	Washer, flat number 4 18-8 SST
15	<b>41757</b>	Screw, cap M3-0.5 x 8
16	<b>15655</b>	Cable, grip 3/8 NPT
17	<b>156760</b>	AC/DC mounting assembly (includes items 18-21)
18	<b>106462</b>	Screw, cap, 1/4-20 NC x 1 1/2 in
19	<b>81427</b>	Washer, flat, 1/4 in steel
20	<b>156764</b>	Mounting bracket, angle
21	<b>156829</b>	Mounting bracket
22	<b>128022</b>	Vent, integrated screw

**LIVESTOCK  
REPLACEMENT PARTS**