

Rice Lake OS-10/OS-25/OS-45

Suspended Scale

COMPANION
ANIMAL SCALES



Standard Features

- Hold function
- Units of measure: lb/lb-oz/kg
- Adjustable automatic shut-off
- Ergonomic handheld design
- Battery operated, two AA batteries (included)
- Carrying case and top s-hook (included)
- Captured lower hook, removable upper hook (both hooks included)

Specifications

Capacity:

- OS-10:**
 22 lb × 0.02 lb
 22 lb × 0.25 oz
 10 kg × 0.01 kg
- OS-25:**
 55 lb × 0.05 lb
 55 lb × 0.5 oz
 25 kg × 0.02 kg
- OS-45:**
 99 lb × 0.1 lb
 99 lb × 1 oz
 45 kg × 0.05 kg

Power:

Two AA batteries (included)

Operating Temperature:

32 °F to 104 °F (0 °C to 40 °C)

Warranty:

One-year limited

Approvals:

CE Approved

Approvals

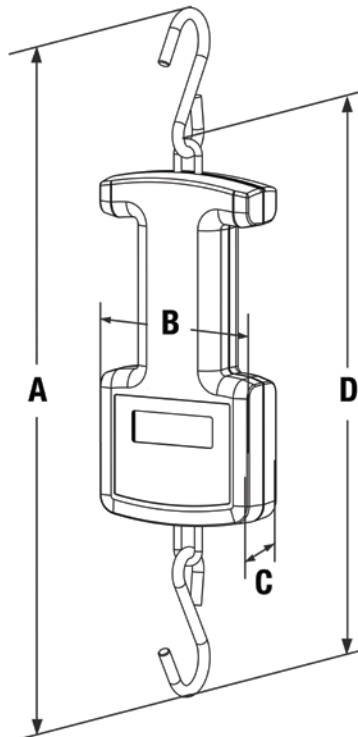


Part Number/Price

Part #	Model	Capacity	Est. Weight	Price
130292	OS-10	10 × 0.01 kg (22 × 0.02 lb) (22 lb × 1/4 oz)	1.25 lb	Consult
130293	OS-25	25 × 0.02 kg (55 × 0.05 lb) (55 lb × 1/2 oz)	1.25 lb	Consult
130294	OS-45	45 × 0.05 kg (99 × 0.1 lb) (99 lb × 1 oz)	1.25 lb	Consult

Dimensions

	Inches	Centimeters
A	14.3	36.3
B	3.6	9.2
C	1.3	3.2
D	11.6	29.4



Rice Lake VS-10



Model Rice Lake VS-10

Standard Features

- Large 1-inch LCD display
- Unit of measure locking
- Recall function to view last weight
- Automatic shut-off for long battery life
- Built-in measuring tape 0 to 22.5 in (0 to 57 cm)
- Optional carrying case

Specifications

Capacity:
44 lb × 0.5 oz (20 kg × 10 g)

Power:
Four AA alkaline batteries (included)
or AC adapter (included)

Battery Type:
Four AA alkaline (included)

Approvals:
AC adapter: cULus

Warranty:
Two-year limited

COMPANION
ANIMAL SCALES

Part Number/Price

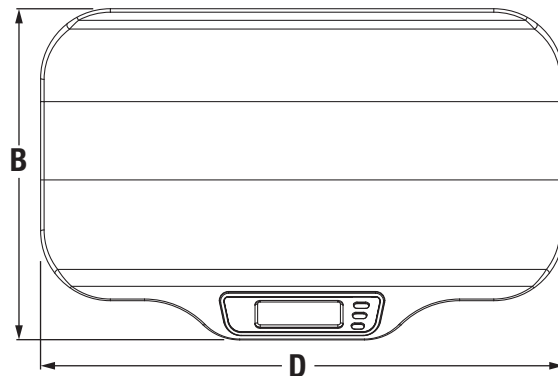
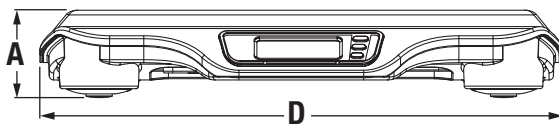
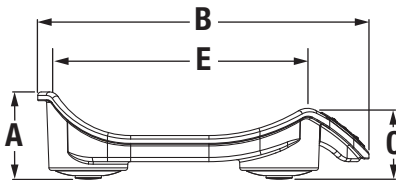
Part #	Model #	Capacity	Price
204394	Rice Lake VS-10	44 lb × 0.5 oz (20 kg × 10 g), includes 120 VAC adapter	Consult

Shipping Weight

Part #	Model #	L (in)	W (in)	H (in)	Package Wgt. (lb)	Dim Wgt. (lb)	Shipping Wgt. (lb)
204394	Rice Lake VS-10	27	18	7	10	21	21

Dimensions

	Inches	Centimeters
A	3.9	10.0
B	15.0	38.0
C	3.1	7.9
D	23.6	60.0
E	11.0	27.9



Rice Lake VS-11



Model Rice Lake VS-11

Standard Features

- Large 1-inch LCD display
- Dual-range capacity for increased precision from 0 to 22 lb
- Automatic precision change based on patient weight
- Accuracy within 5 g
- Unit of measure locking
- Recall function to view last weight
- Automatic shut-off for long battery life
- Built-in measuring tape 0 to 22.5 in (0 to 57 cm)
- Optional carrying case

Specifications

Capacity:

0 to 22 lb × 0.2 oz (0 to 10 kg × 5 g)
22 to 44 lb × 0.5 oz (10 to 20 kg × 10 g)

Power:

Four AA alkaline batteries (included) or AC adapter (included)

Battery Type:

Four AA alkaline (included)

Approvals:

AC adapter: cULus

Warranty:

Two-year limited

COMPANION
ANIMAL SCALES

Part Number/Price

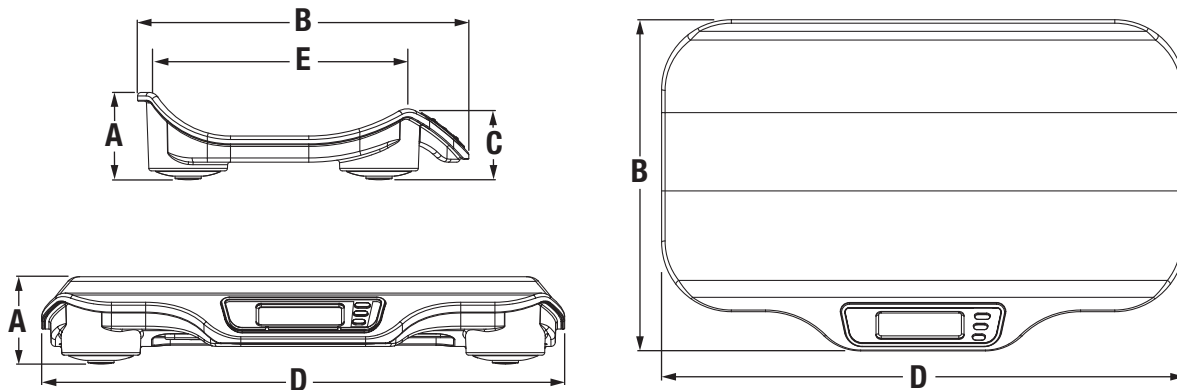
Part #	Model #	Capacity	Price
204395	Rice Lake VS-11	0 to 22 lb × 0.2 oz, 22 to 44 lb × 0.5 oz (0 to 10 kg × 5 g, 10 to 20 kg × 10 g) includes 120 VAC adapter	Consult

Shipping Weight

Part #	Model #	L (in)	W (in)	H (in)	Package Wgt. (lb)	Dim Wgt. (lb)	Shipping Wgt. (lb)
204395	Rice Lake VS-11	27	18	7	10	21	21

Dimensions

	Inches	Centimeters
A	3.9	10.0
B	15.0	38.0
C	3.1	7.9
D	23.6	60.0
E	11.0	27.9



Rice Lake VS-12

DUAL RANGE



Model Rice Lake VS-12

Approvals



Standard Features

- Large, easy-to-read, 0.75 in LCD display
- Dual-range capacity for increased precision from 0 to 10 lb
- Automatic precision change based on patient weight
- Lb or kg locking capability
- Automatic shut-off for long battery life
- Motiontrap™ movement compensation technology
- Built-in measuring tape 0 to 23.5 in × 0.125 in (0 to 60 cm × 0.25 cm)

Specifications

Capacity:

0 to 10 lb × 0.05 oz (0 to 5 kg × 1 g)
10 to 33 lb × 0.1 oz (5 to 15 kg × 2 g)

Power:

12 VDC, provided by six AA lithium batteries (included) or AC adapter (optional)

Battery Type:

Six Li-FeS₂ batteries

Operating Temperature:

50 °F to 95 °F (14 °C to 35 °C)

Display:

5-digit LCD display, 0.75 in (1.9 mm) digit height

Approvals:

c-Met E113986

Warranty:

Two-year limited

COMPANION
ANIMAL SCALES

Part Number/Price

Part #	Model #	Capacity	Price
204398	Rice Lake VS-12	0 to 10 lb × 0.05 oz, 10 to 33 lb × 0.1 oz (0 to 5 kg × 1 g, 5 to 15 kg × 2 g) 120V/230V	Consult

Shipping Weight

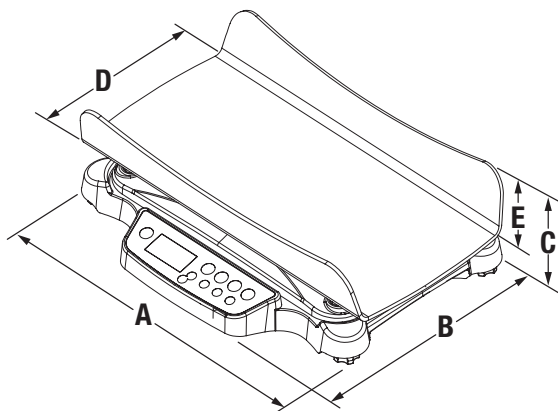
Part #	Model #	L (in)	W (in)	H (in)	Package Wgt. (lb)	Dim Wgt. (lb)	Shipping Wgt. (lb)
204398	Rice Lake VS-12	18	28	11	25	40	40

Options/Accessories

Part #	Description	Price
165138	AC adapter, input voltage 100 to 240 V, c-Met, medical grade	Consult

Dimensions

	Inches	Centimeters
A	24.0	60.8
B	19.0	48.2
C	6.8	17.1
D	17.0	43.2
E	3.5	8.9



Rice Lake VS-36

COMPANION ANIMAL SCALES

RUBBERIZED PLATFORM

METAL PLATFORM



Approvals



Part Number/Price

Part #	Model #	Capacity	Price
204403	Rice Lake VS-36	1,000 × 0.2 lb (450 × 0.1 kg)	Consult

Shipping Weight

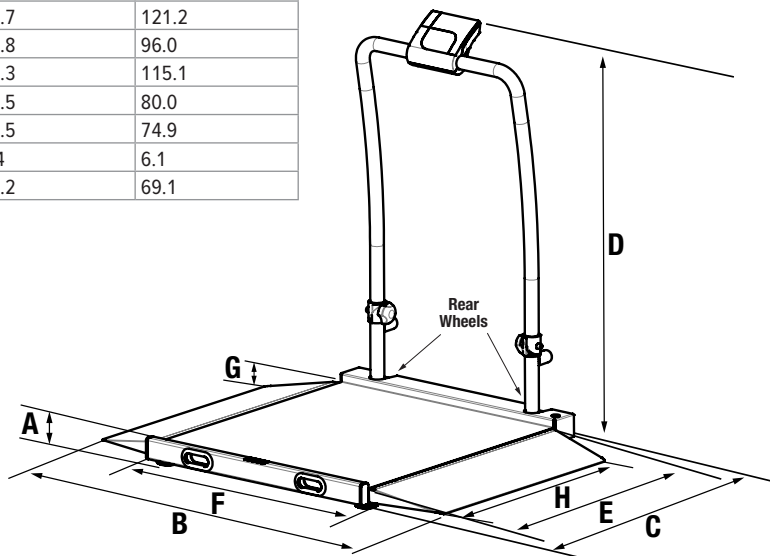
Part #	Model #	L (in)	W (in)	H (in)	Package Wgt. (lb)	Dim Wgt. (lb)	Shipping Wgt. (lb)
204403	Rice Lake VS-36	51	42	14	102	216	216

Options/Accessories

Part #	Description	Price
79074	Cable, USB 6 ft USB-A (male) to USB-B (male)	Consult
217091	Cable, Communication DB9 (female) to RJ45 (male), 4 conductor	Consult
186830	Cable, RS232 scale to printer, 6 ft, 25-pin D-Sub (male) to RJ45	Consult

Dimensions

	Inches	Centimeters
A	3.15	8.0
B	47.7	121.2
C	37.8	96.0
D	45.3	115.1
E	31.5	80.0
F	29.5	74.9
G	2.4	6.1
H	27.2	69.1



Standard Features

- Metal Platform
- Two wheels for portability
- Dual ramp
- Vacuum-formed, ribbed platform
- Push-button LCD display
- Motiontrap™ movement compensation technology
- Unit of measure toggle or locking
- Communication via USB
- Tare function
- Hold function
- Factory calibrated
- Easy to store, folded depth is 11.75 in

Specifications

Capacity:

1,000 × 0.2 lb (450 × 0.1 kg)

Platform Dimensions:

(W × L × H)

31.5 × 29.5 × 3.15 in

Power:

9 VDC, provided by six AA alkaline batteries (included) or AC adapter (optional)

Battery Type:

Six AA alkaline (included)

Battery Use:

25 hours continuous use with batteries
Automatic power-off can be configured

Operating Temperature:

50 °F to 104 °F (14 °C to 40 °C)

Display:

5-digit LCD display, 0.75 in (1.9 mm) digit height

Approvals:

c-Met, E113986

Warranty:

Two-year limited



Rice Lake VS-36 in folded position

Rice Lake VS-34



Model Rice Lake VS-34

Standard Features

- Two wheels for portability
- Single ramp
- Vacuum-formed, ribbed platform
- Push-button LCD display
- Motiontrap™ movement compensation technology
- Unit of measure toggle or locking
- Communication via USB
- Tare function
- Hold function
- Factory calibrated
- Easy to store, folded depth is 11.75 in

Specifications

Capacity:

1,000 × 0.2 lb (450 × 0.1 kg)

Platform Dimensions Without Ramps:

(W × L × H)

32 × 29.5 × 2.375 in

Power:

9 VDC, provided by six AA alkaline batteries (included) or AC adapter (optional)

Battery Type:

Six AA alkaline (included)

Battery Use:

25 hours continuous use with batteries
Automatic power-off can be configured

Operating Temperature:

50 °F to 104 °F (14 °C to 40 °C)

Display:

5-digit LCD display, 0.75 in (1.9 mm) digit height

Approvals:

c-Met, E113986

Warranty:

Two-year limited

Approvals



Part Number/Price

Part #	Model #	Capacity	Price
204405	Rice Lake VS-34	1,000 × 0.2 lb (450 kg × 0.1 kg) with USB	Consult

Shipping Weight

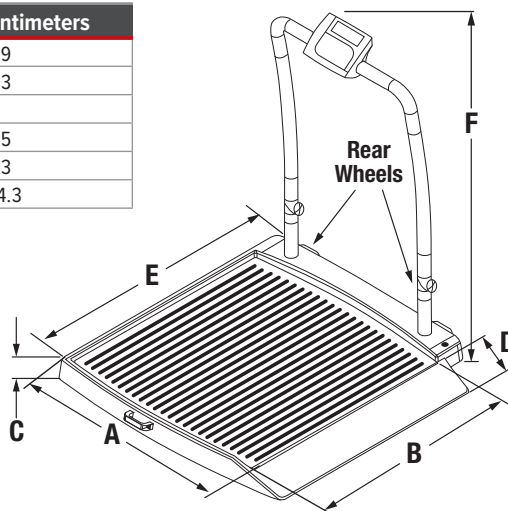
Part #	Model #	L (in)	W (in)	H (in)	Package Wgt. (lb)	Dim Wgt. (lb)	Shipping Wgt. (lb)
204405	Rice Lake VS-34	42	41	14	90	174	174

Options/Accessories

Part #	Description	Price
220767	Heavy-duty mat	Consult
79074	Cable, USB 6 ft USB-A (male) to USB-B (male)	Consult
217091	Cable, Communication DB9 (female) to RJ45 (male), 4 conductor	Consult
186830	Cable, RS232 scale to printer, 6 ft, 25-pin D-Sub (male) to RJ45	Consult

Dimensions

	Inches	Centimeters
A	29.5	74.9
B	32.0	81.3
C	2.4	6.1
D	9.25	23.5
E	37.5	95.3
F	45.0	114.3



Rice Lake VS-34 in folded position



Optional heavy-duty mat

COMPANION
ANIMAL SCALES

Rice Lake VS-30

COMPANION
ANIMAL SCALES



Approvals



Model Rice Lake VS-30

Standard Features

- Two wheels for portability
- Single ramp
- Vacuum-formed, ribbed platform
- Push-button LCD display
- Motiontrap™ movement compensation technology
- Unit of measure toggle or locking
- Communication via USB
- Tare function
- Hold function
- Factory calibrated

Specifications

Capacity:

1,000 × 0.2 lb (450 × 0.1 kg)

Platform Dimensions Without Ramps:

(W × L × H)
32.0 × 29.5 × 2.4 in

Power:

9 VDC, provided by six AA alkaline batteries (included) or AC adapter (optional)

Battery Type:

Six AA alkaline (included)

Battery Use:

25 hours continuous use with batteries
Automatic power-off can be configured

Operating Temperature:

50 °F to 104 °F (14 °C to 40 °C)

Cable Length:

7 ft (2.1 m) cable between scale base and indicator

Display:

5-digit LCD display, 0.75 in (1.9 mm) digit height

Approvals:

c-Met, E113986

Warranty:

Two-year limited

Part Number/Price

Part #	Model #	Capacity	Price
204396	Rice Lake VS-30	1,000 × 0.2 lb (450 × 0.1 kg) with USB	Consult

Shipping Weight

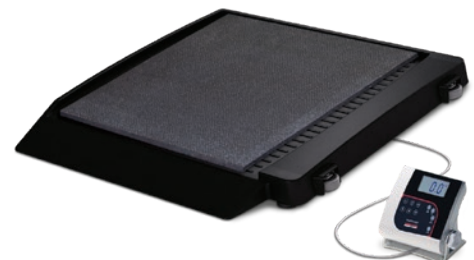
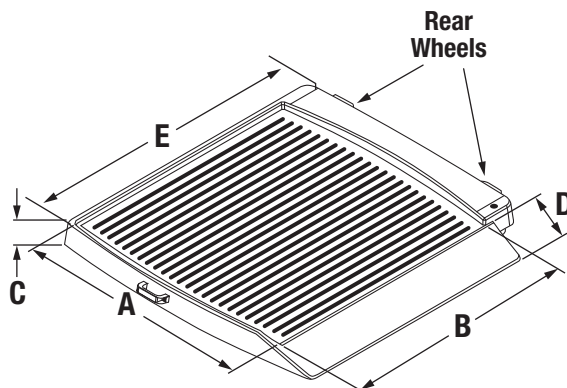
Part #	Model #	L (in)	W (in)	H (in)	Package Wgt. (lb)	Dim Wgt. (lb)	Shipping Wgt. (lb)
204396	Rice Lake VS-30	45	44	7	78	100	100

Options/Accessories

Part #	Description	Price
220767	Heavy-duty mat	Consult
79074	Cable, USB 6 ft USB-A (male) to USB-B (male)	Consult
217091	Cable, Communication DB9 (female) to RJ45 (male), 4 conductor	Consult
186830	Cable, RS232 scale to printer, 6 ft, 25-pin D-Sub (male) to RJ45	Consult

Dimensions

	Inches	Centimeters
A	29.5	74.9
B	32.0	81.3
C	2.4	6.1
D	9.3	23.5
E	37.5	95.3



Optional heavy-duty mat

Rice Lake VS-35



PLASTIC/POLYMER TOP

Model Rice Lake VS-35

Standard Features

- Two wheels for portability
- Dual ramp
- Vacuum-formed, ribbed platform
- Push-button LCD display
- Motiontrap™ movement compensation technology
- Unit of measure toggle or locking
- Communication via USB
- Tare function
- Hold function
- Factory calibrated
- Easy to store, folded depth is 11.75 in

Specifications

Capacity:
1,000 × 0.2 lb (450 × 0.1 kg)

Platform Dimensions Without Ramps:
(W × L × H)
32.0 × 29.5 × 2.4 in

Power:
9 VDC, provided by six AA alkaline batteries (included) or AC adapter (optional)

Battery Type:
Six AA alkaline (included)

Battery Use:
25 hours continuous use with batteries
Automatic power-off can be configured

Operating Temperature:
50 °F to 104 °F (14 °C to 40 °C)

Display:
5-digit LCD display, 0.75 in (1.9 mm) digit height

Approvals:
c-Met, E113986

Warranty:
Two-year limited

COMPANION ANIMAL SCALES

Approvals



Part Number/Price

Part #	Model #	Capacity	Price
204404	Rice Lake VS-35	1,000 lb × 0.2 lb (450 kg × 0.1 kg) with USB	Consult

Shipping Weight

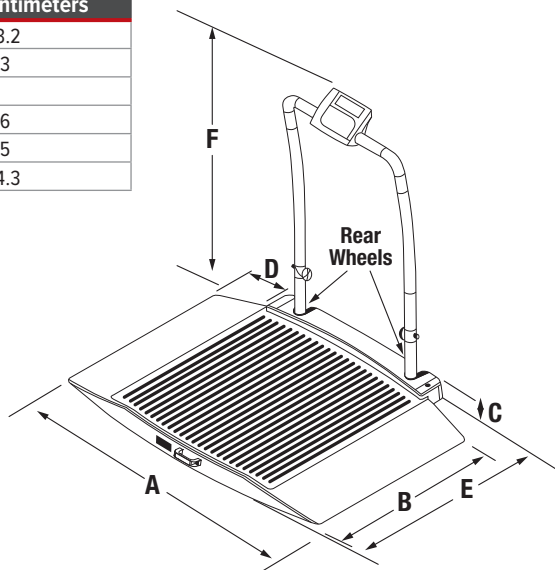
Part #	Model #	L (in)	W (in)	H (in)	Package Wgt. (lb)	Dim Wgt. (lb)	Shipping Wgt. (lb)
204404	Rice Lake VS-35	51	42	14	102	216	216

Options/Accessories

Part #	Description	Price
220767	Heavy-duty mat	Consult
79074	Cable, USB 6 ft USB-A (male) to USB-B (male)	Consult
217091	Cable, Communication DB9 (female) to RJ45 (male), 4 conductor	Consult
186830	Cable, RS232 scale to printer, 6 ft, 25-pin D-Sub (male) to RJ45	Consult

Dimensions

	Inches	Centimeters
A	48.5	123.2
B	32.0	81.3
C	2.4	6.1
D	9.3	23.6
E	38.0	96.5
F	45.0	114.3



Optional heavy-duty mat

Rice Lake VS-31

COMPANION
ANIMAL SCALES

PLASTIC/POLYMER
TOP



Model Rice Lake VS-31

Standard Features

- Two wheels for portability
- Dual ramp
- Vacuum-formed, ribbed platform
- Push-button LCD display
- Motiontrap™ movement compensation technology
- Unit of measure toggle or locking
- Communication via USB
- Tare function
- Hold function
- Factory calibrated

Specifications

Capacity:

1,000 × 0.2 lb (450 × 0.1 kg)

Platform Dimensions Without Ramps:

(W × L × H)
32.0 × 29.5 × 2.4 in

Power:

9 VDC, provided by six AA alkaline batteries (included) or AC adapter (optional)

Battery Type:

Six AA alkaline (included)

Battery Use:

25 hours continuous use with batteries
Automatic power-off can be configured

Operating Temperature:

50 °F to 104 °F (14 °C to 40 °C)

Cable Length:

7 ft (2.1 m) cable between scale base and indicator

Display:

5-digit LCD display, 0.75 in (1.9 mm) digit height

Approvals:

c-Met, E113986

Warranty:

Two-year limited

Approvals



Part Number/Price

Part #	Model #	Capacity	Price
204397	Rice Lake VS-31	1,000 × 0.2 lb (450 × 0.1 kg) with USB	Consult

Shipping Weight

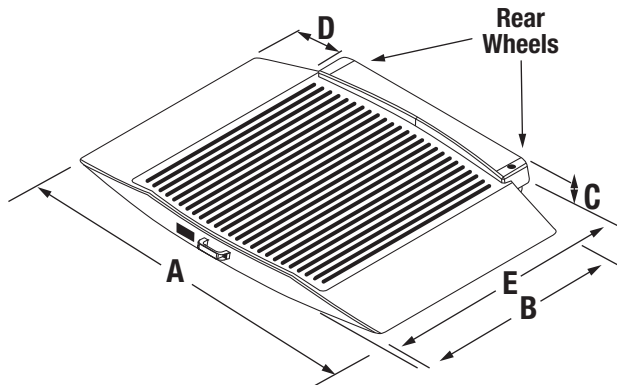
Part #	Model #	L (in)	W (in)	H (in)	Package Wgt. (lb)	Dim Wgt. (lb)	Shipping Wgt. (lb)
204397	Rice Lake VS-31	53	45	7	86	121	121

Options/Accessories

Part #	Description	Price
220767	Heavy-duty mat	Consult
79074	Cable, USB 6 ft USB-A (male) to USB-B (male)	Consult
217091	Cable, Communication DB9 (female) to RJ45 (male), 4 conductor	Consult
186830	Cable, RS232 scale to printer, 6 ft, 25-pin D-Sub (male) to RJ45	Consult

Dimensions

	Inches	Centimeters
A	48.5	123.2
B	32.0	81.3
C	2.4	6.1
D	9.3	23.6
E	38.0	96.5



Optional heavy-duty mat