

INDICATORS

880 Panel Mount

5.0in and 5.5in



Part Number/Price

Ref#	Part#	Description	Price
	151674	Display Assembly, 880 Panel Mount (Includes items 1-7)	Consult
1	131740	Overlay, Membrane Switch	Consult
2	151663	Faceplate, Display 880	Consult
3	151667	Gasket, Faceplate 880	Consult
4	131598	Board Assy, 880 LED Display	Consult
5	14822	Screw, Mach 4-40NC x 1/4	Consult
6	156439	Backer, Plate With DIN	Consult
7	14621	Nut, KEP 6-32NC HEX	Consult
8	151668	Cable Assy, Controller to Display	Consult

(See Diagram 880 Display Assembly)

880 (5.0in wide)			
	152235	Parts Kit, AC Power 880 (Includes items below)	Consult
	153647	Parts Kit, DC Power 880 (Includes items below)	Consult
	152334	Conn, 3 Pos Screw Terminal (AC Option)	Consult
	15888	Conn, 3 Pos Screw Terminal (DC Option)	Consult
	153873	Conn, 3 Pos Screw Terminal	Consult
	153883	Conn, 6 Pos Screw Terminal	Consult
	14621	Nut, KEP 6-32NC HEX	Consult
	15130	Washer, Lock No 6	Consult
	157074	Ferrite, EMI/RFI Clamp-on	Consult
	53075	Clamp, Ground Cable Shield Large	Consult
	67550	Clamp, Ground Cable Shield Small	Consult
	94422	Label, Capacity 0.40 x 4.63	Consult
	151672*	Controller, 880 Green-Board Design (Includes items 9-20)	Consult
9	14838	Screw, Mach 6-32NC x 1/4	Consult
10	65685	Washer, Flat .3750D .156ID	Consult
11	151664	Hook, Left DIN Rail Clip	Consult
	151665	Hook, Right DIN Rail Clip	Consult
12	131745	Bracket, DIN Rail Clip 880	Consult
13	153856	Screw, Mach 6-32NCx1/4	Consult
14	151661	Enclosure, extrusion 3.50 x 5.00 in.	Consult
16	151666	BackPlate, CPU no option	Consult
	152373	BackPlate, Relay Option	Consult
	156668	BackPlate, Analog Option	Consult
	156669	BackPlate, CompactCom Option	Consult
17	14822	Screw, Mach 4-40 NC x 1/4	Consult
18	69291	Battery, 3v Coin Lithium	Consult
20	154762	Cable Assy, CPU Board To Power Supply	Consult

(See Diagram 880 Controller Enclosure for 5.0in wide)

880 (5.5in wide)			
	177977*	Controller, 880 Revised Blue-Board Design (Includes items 9-20)	Consult
9	14838	Screw, Mach 6-32NC x 1/4	Consult
12	177730	Bracket, DIN Rail Clip	Consult
	177257	Enclosure Adapter Plate	Consult
13	153856	Screw, Mach 6-32NCx1/4	Consult
14	177253	Enclosure, Extrusion 3.50 x 5.50 in.	Consult
15	175603	Board Assy, 880 Power, AC revised blue-board design	Consult
	175604	Board Assy, 880 Power, DC revised blue-board design	Consult
16	177290	Backplate, CPU with option slot	Consult
17	14822	Screw, Mach 4-40NC x 1/4	Consult
18	69291	Battery, 3v Coin Lithium	Consult
19	175109	Board Assy, CPU 880 revised blue-board design	Consult
20	154762	Cable Assy, CPU Board To Power Supply	Consult

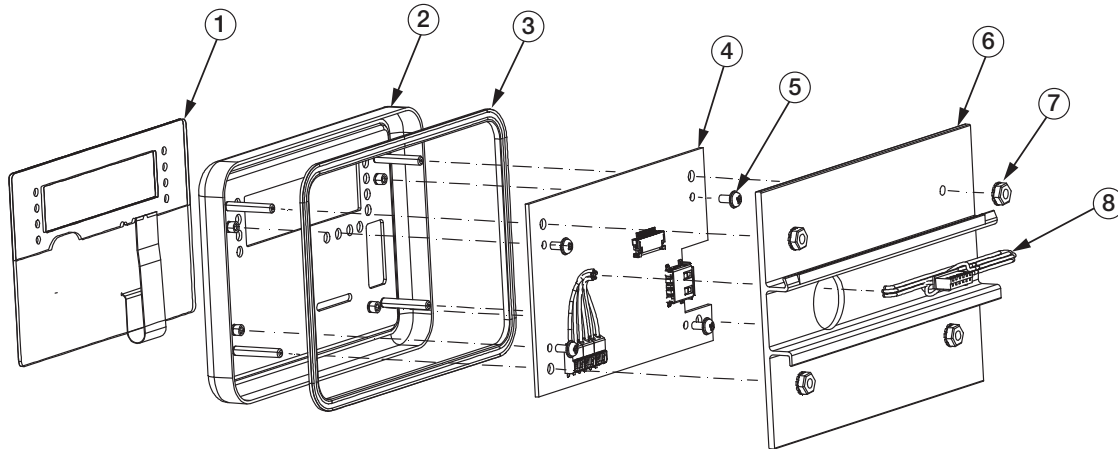
(See Diagram 880 Controller Enclosure for 5.5in wide)

*Because the 880 board design has changed, there are new part numbers.

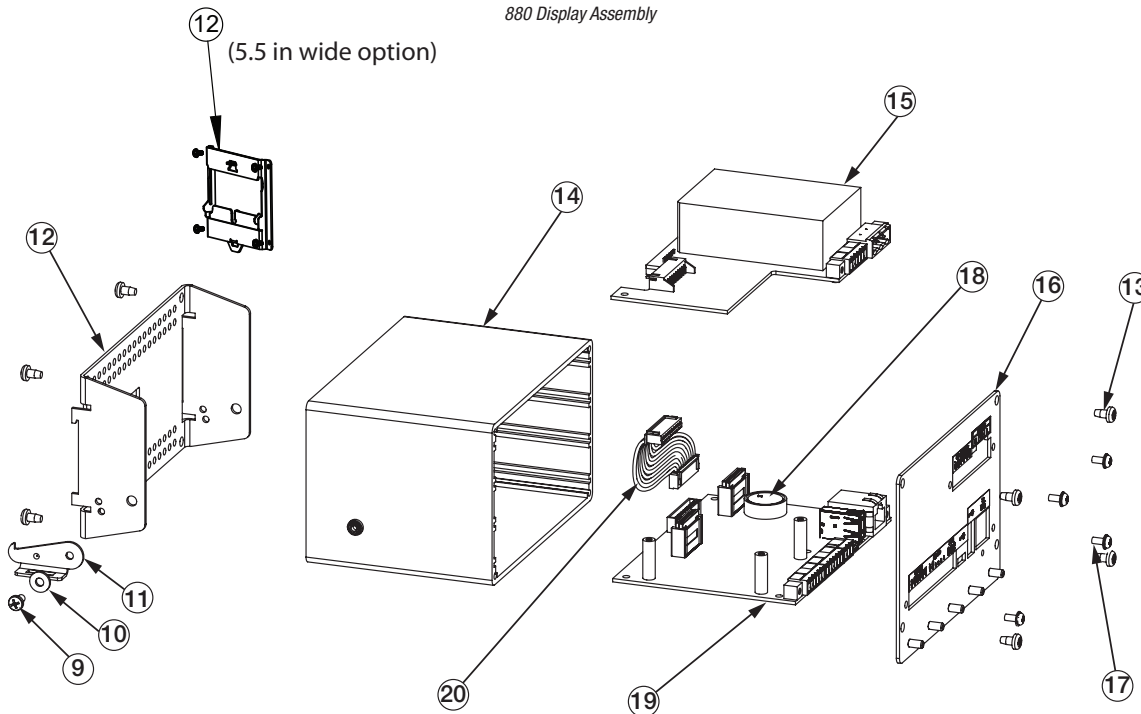
Please be advised, past generation boards (green) are not interchangeable with the new boards (blue).

Indicators/Controllers

INDICATORS
880 Panel Mount
 5.0in and 5.5in



880 Display Assembly



880 Controller Enclosure

Indicators/Controllers

GREEN-BOARD DESIGN		
Part#	Description	Price
156554	EtherNet/IP interface option	Consult
156555	Profinet interface option	Consult
156556	Profibus DP interface option	Consult
156557	Modbus/TCP interface option	Consult
156558	DeviceNet interface option	Consult
156964	Analog output 0-10 UPC, 0-20mA option	Consult
156965	Relay board, 4 outputs option	Consult
163305	EtherCAT interface option	Consult

BLUE-BOARD DESIGN		
Part#	Description	Price
179159	EtherNet/IP interface option	Consult
179160	Profinet interface option	Consult
179163	Profibus DP interface option	Consult
179161	Modbus/TCP interface option	Consult
179162	DeviceNet interface option	Consult
179156	Analog output 0-10 UPC, 0-20mA option	Consult
179158	EtherCAT interface option	Consult

*Because the 880 board design has changed, there are new part numbers.
 Please be advised, past generation boards (green) are not interchangeable with the new boards (blue).