

Weigh Modules

TABLE OF CONTENTS

ITCM ISOLATED TENSION CELL MOUNT ASSEMBLY	308	TRANSLINK® PARALLEL LINK TRUCK SCALE ASSEMBLY	345
ITCM SS ISOLATED TENSION CELL MOUNT ASSEMBLY	309	METTLER TOLEDO® BRIDGEMASTER® TRUCK SCALE	346
<i>Standard Model</i>		METTLER TOLEDO BRIDGEMASTER MODEL 7500	347
ITCM ISOLATED TENSION CELL MOUNT ASSEMBLY	310	RL9000TWM SERIES	348
<i>IP-67</i>			
RL50210 TA/65059 MINI TANK WEIGHING ASSEMBLY	311		
<i>Mild Steel Construction</i>			
RL50210 TA MINI TANK WEIGHING ASSEMBLY	312		
<i>Stainless Steel Construction</i>			
RL50210 TA/65059 MINI TANK WEIGHING ASSEMBLY	313		
<i>500 lb Capacity</i>			
RL50210 TA/65059 MINI TANK WEIGHING ASSEMBLY	314		
<i>1000-2500 lb Capacities</i>			
RL2200 LOAD CELL MOUNTING KIT	315		
<i>Mild Steel</i>			
RL2200 LOAD CELL MOUNTING KIT	316		
<i>Stainless Steel</i>			
RL1800 SERIES MOUNTING ASSEMBLY	317		
<i>Mild Steel</i>			
RL1800 SERIES MOUNTING ASSEMBLY	318		
<i>Stainless Steel</i>			
RL1900 SERIES MOUNTING ASSEMBLY	319		
<i>Stainless Steel</i>			
RL1600/65016 TWA SERIES TANK WEIGHING ASSEMBLY	320		
<i>Cast Iron</i>			
RL1600/65016 TWA SERIES TANK WEIGHING ASSEMBLY	321		
<i>Mild Steel</i>			
RL1600/65016 TWA SERIES TANK WEIGHING ASSEMBLY	322		
<i>Stainless Steel</i>			
EZ MOUNT 1 TANK-MOUNTING ASSEMBLY	324		
<i>Mild Steel</i>			
EZ MOUNT 1 TANK-MOUNTING ASSEMBLY	325		
<i>Stainless Steel</i>			
SURVIVOR® 2100HE WEIGH MODULES	327		
SURVIVOR® 1700HE WEIGH MODULES	328		
<i>Stainless Steel</i>			
PARAMOUNTS® MOUNTING ASSEMBLY-FIXED PIN MOUNT	329		
<i>Mild Steel</i>			
PARAMOUNTS® MOUNTING ASSEMBLY-FIXED PIN MOUNT	331		
<i>Stainless Steel</i>			
PARAMOUNTS® MOUNTING ASSEMBLY-SIDE STOP MOUNT	333		
<i>Mild Steel</i>			
PARAMOUNTS® MOUNTING ASSEMBLY-SIDE STOP MOUNT	335		
<i>Stainless Steel</i>			
PARAMOUNTS® MOUNTING ASSEMBLY-FREE SLIDING MOUNT	337		
<i>Mild Steel</i>			
PARAMOUNTS® MOUNTING ASSEMBLY-FREE SLIDING MOUNT	339		
<i>Stainless Steel</i>			
MVS TRUCK SCALE WEIGH MODULE	341		
TSA TRUCK SCALE ASSEMBLY	342		
TRUCK AND RAILROAD TRUCK MOUNT ASSEMBLY	343		
<i>Magnamount® Tank</i>			
MAGNAMOUNT® TANK	344		
<i>Truck and Railroad Truck Mount Assembly</i>			

ITCM Isolated Tension Cell Mount Assembly

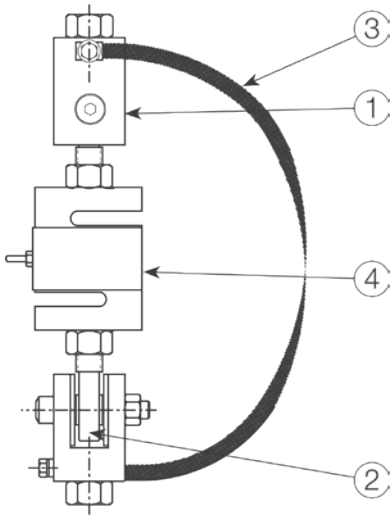


Diagram ITCM-A

Part Number/Price

Ref#	Part#	Description	Price
	16962	Installation manual	Consult
Rated Capacity: 100 lb and 250 lb			
1	17783	Clevis assembly, 1/2 in-13 UNC	Consult
	17786	Clevis assembly, 3/8 in-16 UNC	Consult
2	17739	Rod end ball joint, 1/4 in-28 UNF	Consult
3	17778	Bonding strap	Consult
4	21431	Load cell, RL20000-100 lb	Consult
	21434	Load cell, RL20000-250 lb	Consult
Rated Capacity: 500 lb - 2,000 lb			
1	17787	Clevis assembly, 1/2 in-13 UNC	Consult
	17788	Clevis assembly, 5/8 in-11 UNC	Consult
	17784	Clevis assembly, 3/4 in-10 UNC	Consult
2	17740	Rod end ball joint, 1/2 in-20 UNF	Consult
3	17779	Bonding strap	Consult
4	21436	Load cell, RL20000-500 lb	Consult
	21437	Load cell, RL20000-750 lb	Consult
	21438	Load cell, RL20000-1,000 lb	Consult
	21439	Load cell, RL20000-1,500 lb	Consult
	21440	Load cell, RL20000-2,000 lb	Consult
Rated Capacity: 2,500 lb - 3,000 lb			
1	17788	Clevis assembly, 5/8 in-11 UNC	Consult
	17784	Clevis assembly, 3/4 in-10 UNC	Consult
2	17740	Rod end ball joint, 1/2 in-20 UNF	Consult
3	17779	Bonding strap	Consult
4	21441	Load cell, RL20000-2,500 lb	Consult
	21442	Load cell, RL20000-3,000 lb	Consult
Rated Capacity: 5,000 lb			
1	17789	Clevis assembly, 3/4 in-10 UNC	Consult
	17785	Clevis assembly, 1 in-8 NC	Consult
2	17741	Rod end ball joint, 3/4 in-16 UNF	Consult
3	17780	Bonding strap	Consult
4	21443	Load cell, RL20000-5,000 lb	Consult
Rated Capacity: 10,000 lb			
1	17785	Clevis assembly, 1 in-8 UNC	Consult
2	17741	Rod end ball joint, 3/4 in-16 UNF	Consult
3	17780	Bonding strap	Consult
4	21444	Load cell, RL20000-10,000 lb	Consult
Rated Capacity: 15,000 lb			
1	17790	Clevis assembly, 1 1/4 in-7 UNC	Consult
2	17747	Rod end ball joint, 1 in-12 UNF	Consult
3	17781	Bonding strap	Consult
4	21445	Load cell, RL20000-15,000 lb	Consult
Rated Capacity: 20,000 lb			
1	17791	Clevis assembly, 1 1/2 in-6 UNC	Consult
2	17743	Rod end ball joint, 1 1/4 in-12 UNF	Consult
3	17781	Bonding strap	Consult
4	21446	Load cell, RL20000-20,000 lb	Consult

(See Diagram ITCM-A)

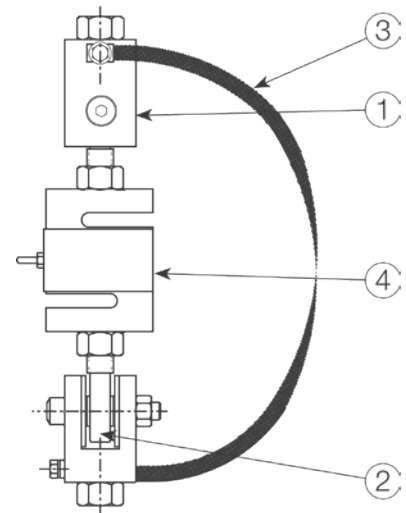
ITCM SS Isolated Tension Cell Mount Assembly

Standard Model

Part Number/Price

Ref#	Part#	Description	Price
	16962	Installation manual	Consult
Rated Capacity: 100 lb and 250 lb			
1	33643	Clevis assembly, 1/2 in-13 UNC	Consult
	33641	Clevis assembly, 3/8 in-16 UNC	Consult
2	33505	Rod end ball joint, 1/4 in-28 UNF	Consult
3	17778	Bonding strap	Consult
4	72742	Load cell, RL20000ST-100 lb	Consult
	72744	Load cell, RL20000ST-250 lb	Consult
Rated Capacity: 500 lb - 1,000 lb			
1	33640	Clevis assembly, 1/2 in-13 UNC	Consult
	33639	Clevis assembly, 5/8 in-11 UNC	Consult
2	33507	Rod end ball joint, 1/2 in-20 UNF	Consult
3	17779	Bonding strap	Consult
4	72746	Load cell, RL20000ST-500 lb	Consult
	72747	Load cell, RL20000ST-750 lb	Consult
	72748	Load cell, RL20000ST-1,000 lb	Consult
Rated Capacity: 2,500 lb - 3,000 lb			
1	33639	Clevis assembly, 5/8 in-11 UNC	Consult
	33642	Clevis assembly, 3/4 in-10 UNC	Consult
2	33507	Rod end ball joint, 1/2 in-20 UNF	Consult
3	17779	Bonding strap	Consult
4	72751	Load cell, RL20000ST-2,500 lb	Consult
	72752	Load cell, RL20000ST-3,000 lb	Consult
Rated Capacity: 5,000 lb			
1	33638	Clevis assembly, 3/4 in-10 UNC	Consult
2	33508	Rod end ball joint, 3/4 in-16 UNF	Consult
3	17780	Bonding strap	Consult
4	72753	Load cell, RL20000ST - 5,000 lb	Consult
	16962	Installation manual	Consult

(See Diagram ITCM-B)

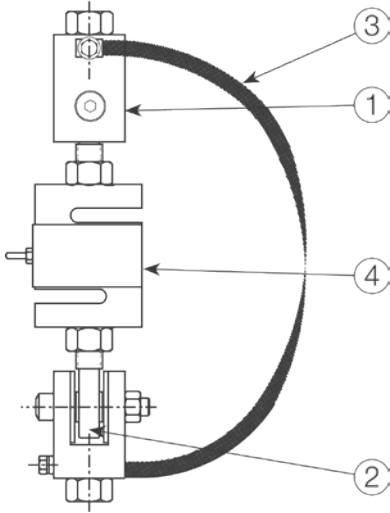


ITCM-B

Weigh Modules

ITCM Isolated Tension Cell Mount Assembly

IP-67



ITCM-D

Part Number/Price

Ref#	Part#	Description	Price
	16962	Installation manual	Consult
Rated Capacity: 500 lb - 1,000 lb			
1	33640	Clevis assembly, 1/2 in-13 UNC	Consult
	33639	Clevis assembly, 5/8 in-11 UNC	Consult
	33642	Clevis assembly, 3/4 in-10 UNC	Consult
2	33507	Rod end ball joint, 1/2 in-20 UNF	Consult
3	17779	Bonding strap	Consult
	46469	Load cell, RL2000HE-500 lb	Consult
4	46470	Load cell, RL20001HE-750 lb	Consult
	46471	Load cell, RL20001HE-1000 lb	Consult
	46472	Load cell, RL20001HE-1,500 lb	Consult
	46473	Load cell, RL20001HE-2,000 lb	Consult
	Rated Capacity: 2,500 lb - 3,000 lb		
1	33639	Clevis assembly, 5/8 in-11 UNC	Consult
	33642	Clevis assembly, 3/4 in-10 UNC	Consult
2	33507	Rod end ball joint, 1/2 in-20 UNF	Consult
3	17779	Bonding strap	Consult
4	46474	Load cell, RL20001HE 2,500 lb	Consult
	46475	Load cell, RL20001HE 3,000 lb	Consult
Rated Capacity: 5,000 lb			
1	33638	Clevis assembly, 3/4 in-10 UNC	Consult
2	33508	Rod end ball joint, 3/4 in-16 UNF	Consult
3	17780	Bonding strap	Consult
4	46476	Load cell, RL20001HE 5,000 lb	Consult
	16962	Installation manual	Consult

(See Diagram ITCM-D)

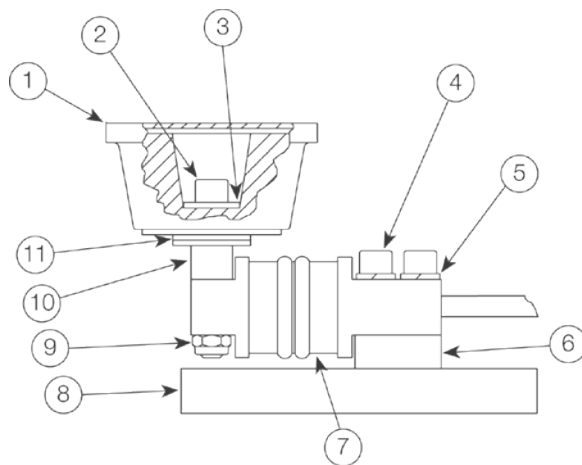
RL50210 TA/65059 Mini Tank Weighing Assembly

Mild Steel Construction

Part Number/Price

Ref#	Part#	Description	Price
	25713	Installation manual	Consult
Rated Capacity: 50 lb – 250 lb			
1	18255	Vibration mount-50 lb	Consult
	18256	Vibration mount-100 lb	Consult
	18245	Vibration mount-150 lb	Consult
	18257	Vibration mount-250 lb	Consult
2	14983	Socket-head cap screw	Consult
3	21940	Plain washer	Consult
4	14982	Socket-head load cell bolts	Consult
5	15147	1/4 in lock washer	Consult
6	18241	Deflection Spacer	Consult
7	17380	Load cell, RL50210-50 lb	Consult
	17381	Load cell, RL50210-100 lb	Consult
	17382	Load cell, RL50210-150 lb	Consult
	17383	Load cell, RL50210-250 lb	Consult
	17370	Sensortronics load cell, 60040-50 lb	Consult
	17372	Sensortronics load cell, 60040-100 lb	Consult
	17373	Sensortronics load cell, 60040-150 lb	Consult
	17374	Sensortronics load cell, 60040-250 lb	Consult
8	18247	Base plate	Consult
9	14643	Flex lock nut	Consult
10	18240	Loading spacer	Consult
11	22011	1/4 in type B plain washer	Consult

(See Diagram RL50210-A)

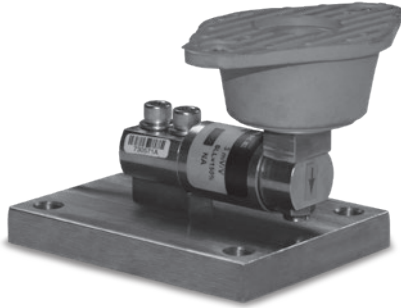


RL50210-A

WEIGH MODULES

RL50210 TA Mini Tank Weighing Assembly

Stainless Steel Construction

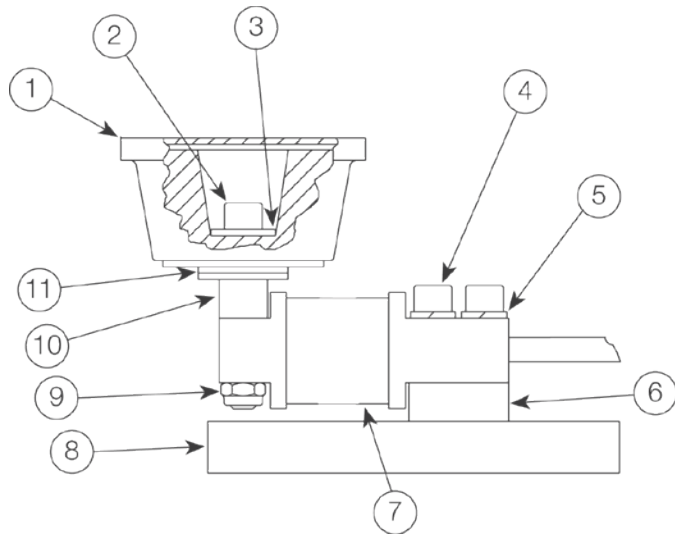


Limited Quantities Available

Part Number/Price

Ref#	Part#	Description	Price
	25713	Installation manual	Consult
Rated Capacity: 50 lb – 250 lb			
1	18255	Vibration mount-50 lb	Consult
	18256	Vibration mount-100 lb	Consult
	18245	Vibration mount-150 lb	Consult
	18257	Vibration mount-250 lb	Consult
2	63790	Socket-head cap screw	Consult
3	63791	Plain washer	Consult
4	63789	Socket-head load cell bolts	Consult
5	15148	1/4 in lock washer	Consult
6	63794	Spacer deflection	Consult
7	53213	Load cell, RL50210SS-150 lb	Consult
8	63795	Base plate	Consult
9	63788	Flex lock nut	Consult
10	63793	Loading spacer	Consult
11	63792	1/4 in plain washer	Consult

(See Diagram RL50210-A)



RL50210-A

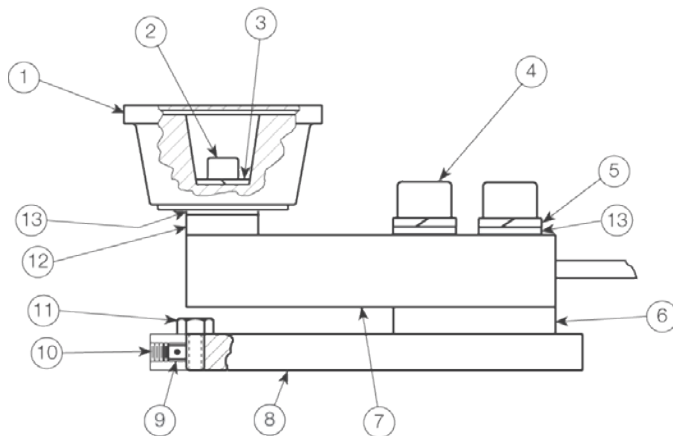
Weigh Modules

RL50210 TA/65059 Mini Tank Weighing Assembly

500 lb Capacity

Ref#	Part#	Description	Price
	25713	Installation manual	Consult
Mild Steel Construction			
1	18244	Vibration mount	Consult
2	32185	Socket-head cap screw	Consult
3 & 5	15167	Lock washer	Consult
4	15069	Socket-head load cell bolts	Consult
6	17754	Deflection Spacer	Consult
7	17342	Load cell, RL30000 - 500 lb	Consult
	17125	Sensortronics load cell, 65023 - 500 lb	Consult
8	18248	Base plate	Consult
9	18246	Nylon plug	Consult
10	14949	Socket-head set screw	Consult
11	14886	Screw, overload stop	Consult
12	18259	Loading spacer	Consult
13	15173	Flat washer	Consult
Stainless Steel Construction			
1	18244	Vibration mount	Consult
2	32280	Socket-head cap screw	Consult
3	15168	Lock washer	Consult
4	15065	Socket-head load cell bolts	Consult
5	15168	1/2 in lock washer	Consult
6	18411	Deflection Spacer	Consult
7	17387	Load cell, RL39123 - 500 lb	Consult
	17188	Sensortronics load cell, 65023SS - 500 lb	Consult
8	18382	Base plate	Consult
9	18246	Nylon plug	Consult
10	14950	Socket-head set screw	Consult
11	14887	Screw, overload stop	Consult
12	18410	Loading spacer	Consult
13	15175	Flat washer	Consult

(See Diagram RL50210-B)



RL50210-B

RL50210 TA/65059 Mini Tank Weighing Assembly

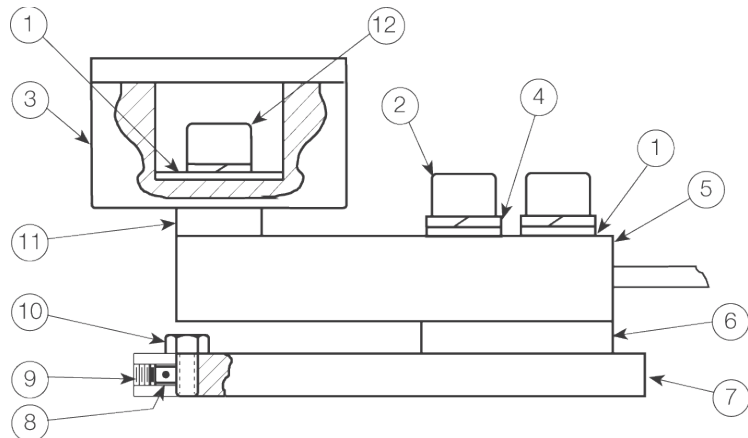
1000-2500lb Capacities



Part Number/Price

Ref#	Part#	Description	Price
	25713	Installation manual	Consult
Mild Steel Construction			
1	15173	1/2 in flat washer	Consult
2	15076	Socket-head cap screw	Consult
3	18258	Neoprene compression mount-1,000 lb	Consult
	26819	Neoprene compression mount-2,000 and 2,500 lb	Consult
4	15167	Lock washer	Consult
5	21528	Load Cell, RL35023 - 1000 lb	Consult
	21529	Load Cell, RL35023 - 2,000 lb	Consult
	21530	Load Cell, RL35023 - 2,500 lb	Consult
	21507	Sensortronics load cell, 65023 - 1,000 lb	Consult
	21508	Sensortronics load cell, 65023 - 2,000 lb	Consult
	21509	Sensortronics load cell, 65023 - 2,500 lb	Consult
6	18260	Spacer deflection	Consult
7	18248	Base plate	Consult
8	18246	Nylon plug	Consult
9	14949	Socket-head set screw	Consult
10	14886	Machine screw overload stop	Consult
11	18239	Loading spacer	Consult
12	15076	Screw, cap - 1,000 lb	Consult
1	15069	Screw, cap - 2,000 and 2,500 lb	Consult
Stainless Steel Construction			
1	15175	1/2 in flat washer	Consult
2	15077	Socket-head cap screw	Consult
3	18258	Neoprene compression mount - 1,000 lb	Consult
	26819	Neoprene compression mount - 2,000 & 2,500 lb	Consult
4	15168	1/2 in lock washer	Consult
5	30649	Load cell, RL35023S - 1,000 lb	Consult
	30650	Load cell, RL35023S - 2,000 lb	Consult
	30651	Load cell, RL35023S - 2,500 lb	Consult
	28925	Sensortronics load cell, 65023S - 1,000 lb	Consult
	28926	Sensortronics load cell, 65023S - 2,000 lb	Consult
	28927	Sensortronics load cell, 65023S - 2,500 lb	Consult
6	18383	Spacer plate	Consult
7	18382	Base plate	Consult
8	18246	Nylon plug	Consult
9	14950	Socket-head set screw	Consult
10	14887	Machine screw overload stop	Consult
11	18381	Loading spacer	Consult
12	15077	Screw, cap - 1,000 lb	Consult
	15065	Screw, cap - 2,000 and 2,500 lb	Consult

(See Diagram RL50210-C)



RL50210-C

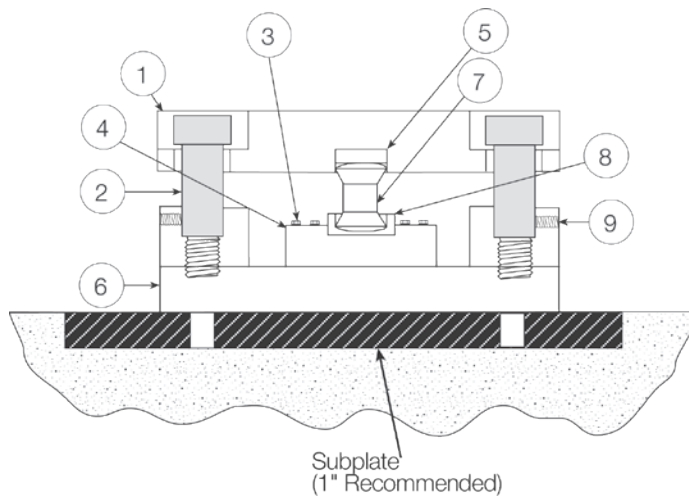
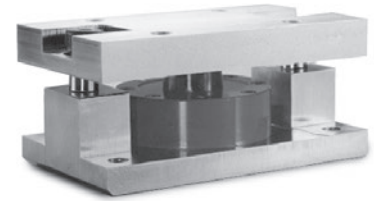
RL2200 Load Cell Mounting Kit

Mild Steel

Part Number/Price

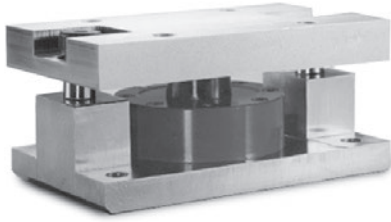
Ref#	Part#	Description	Price
	49596	Installation manual	Consult
Rated Capacity: 2,500 lb and 10,000 lb			
1	45562	Top-plate	Consult
2	45567	Shoulder screw	Consult
3	45569	Load cell bolts	Consult
4	76654	Load cell, RL2200 - 2,500 lb	Consult
4	45708	Load cell, RL2200 - 5,000 lb	Consult
4	45709	Load cell, RL2200 - 10,000 lb	Consult
5	45564	Bearing, upper insert	Consult
6	45556	Base plate	Consult
7	45565	Rocker pin	Consult
8	50861	Dust boot	Consult
9	14949	Set screws	Consult
Rated Capacity: 25,000 lb and 50,000 lb			
1	45547	Top-plate	Consult
2	45553	Shoulder screw	Consult
3	45554	Load cell bolts	Consult
4	45710	Load cell, RL2200 - 25,000 lb	Consult
4	45711	Load cell, RL2200 - 50,000 lb	Consult
5	45549	Bearing, upper insert	Consult
6	45541	Base plate	Consult
7	45550	Rocker pin	Consult
8	45566	Dust boot	Consult
9	45696	Set screws	Consult

(See Diagram RL2200-A)



RL2200 Load Cell Mounting Kit

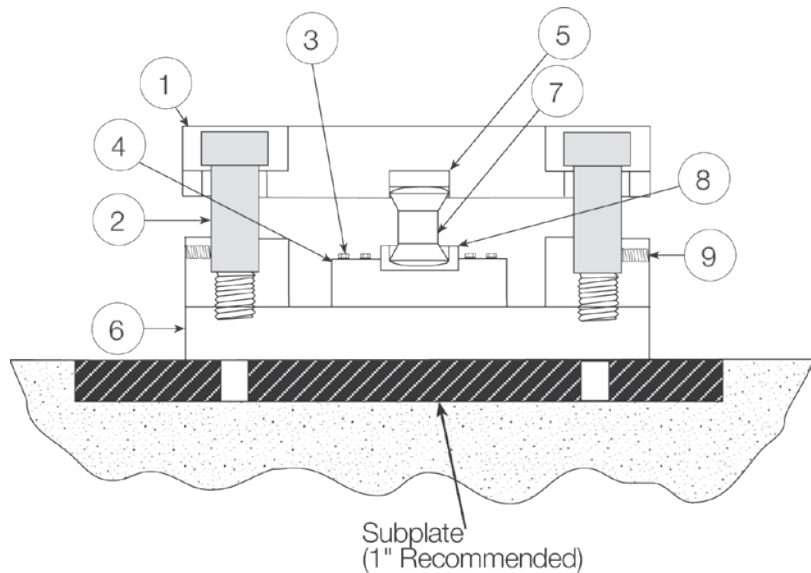
Stainless Steel



Part Number/Price

Ref#	Part#	Description	Price
	49596	Installation manual	Consult
Rated Capacity: 2,500 lb and 10,000 lb			
1	45563	Top-plate	Consult
2	45568	Shoulder screw	Consult
3	45569	Load cell bolts	Consult
4	76655	Load cell, RL2200 - 2,500 lb	Consult
	45712	Load cell, RL2200 - 5,000 lb	Consult
	45713	Load cell, RL2200 - 10,000 lb	Consult
5	45564	Bearing, upper insert	Consult
6	45557	Base plate	Consult
7	45565	Rocker pin	Consult
8	50861	Dust boot	Consult
9	14950	Set screws	Consult
Rated Capacity: 25,000 lb and 50,000 lb			
1	45548	Top-plate	Consult
2	45552	Shoulder screw	Consult
3	45554	Load cell bolts	Consult
4	45714	Load cell, RL2200 - 25,000 lb	Consult
	45715	Load cell, RL2200 - 50,000 lb	Consult
5	45549	Bearing, upper insert	Consult
6	45542	Base plate	Consult
7	45550	Rocker pin	Consult
8	45566	Dust boot	Consult
9	45697	Set screws	Consult

(See Diagram RL2200-B)



RL2200-B

RL1800 Series Mounting Assembly

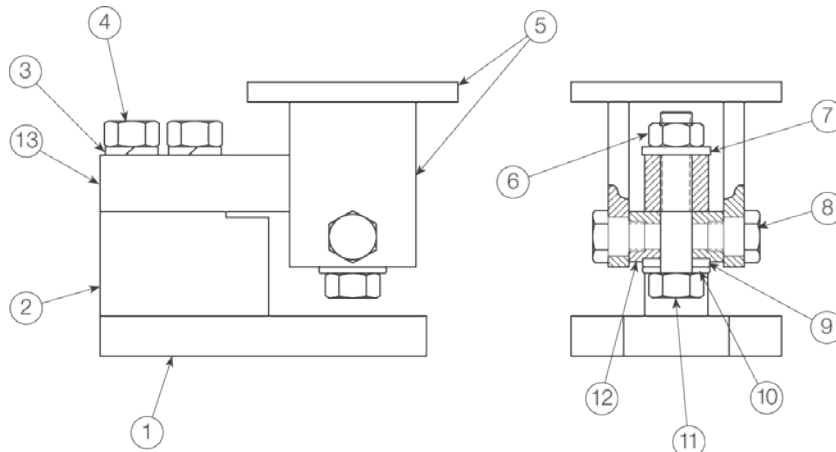
Mild Steel

Part Number/Price

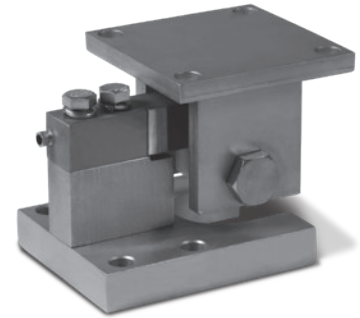
Ref#	Part#	Description	Price
	25712	Installation manual	Consult
Rated Capacity: 250 lb – 5,000 lb SE			
1	22723	Base plate	Consult
2	22724	Load cell mounting block	Consult
3	15167	Lock washer	Consult
4	14765	Load cell bolt	Consult
5	22725	Upper support	Consult
6	14664	Jam nut	Consult
7	15173	Flat washer	Consult
8	22726	Shoulder bolt	Consult
9 & 10	15198	Spherical washer set	Consult
11	14759	Hex-head loading bolt	Consult
12	22727	Upper support loading block	Consult
13	17341	Load cell, RL30000 - 250 lb	Consult
	17342	Load cell, RL30000 - 500 lb	Consult
	21491	Load cell, RL30000 - 1,000 lb	Consult
	21493	Load cell, RL30000 - 2,000 lb	Consult
	21495	Load cell, RL30000 - 2,500 lb	Consult
	21497	Load cell, RL30000 - 3,000 lb	Consult
	21498	Load cell, RL30000 - 4,000 lb	Consult
	21500	Load cell, RL30000 - 5,000 lb SE	Consult
	21528	Load cell, RL35023 - 1,000 lb	Consult
	21529	Load cell, RL35023 - 2,000 lb	Consult
	21530	Load cell, RL35023 - 2,500 lb	Consult
21531	Load cell, RL35023 - 3,000 lb	Consult	
21532	Load cell, RL35023 - 4,000 lb	Consult	
21535	Load cell, RL35023 - 5,000 lb (small envelope)	Consult	
Rated Capacity: 5,000 lb LE and 10,000 lb			
1	22728	Base plate	Consult
2	22729	Load cell mounting block	Consult
3	15181	Lock washer	Consult
4	14788	Load cell bolt	Consult
5	22730	Upper support	Consult
6	14687	Jam nut	Consult
7	15179	Flat washer	Consult
8	22726	Shoulder bolt	Consult
9 & 10	15200	Spherical washer set	Consult
11	14786	Hex-head loading bolt	Consult
12	22731	Upper support loading block	Consult
13	21533	Load cell, RL35023 - 5,000 lb (large envelope)	Consult
	21534	Load cell, RL35023 - 10,000 lb	Consult

SE refers to small envelope. LE refers to large envelope.

(See Diagram RL1800-A)

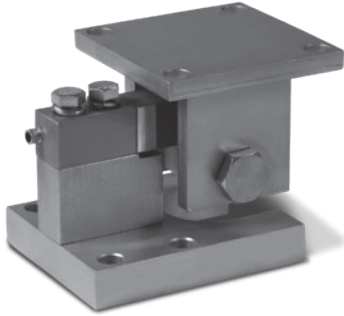


RL1800-A



RL1800 Series Mounting Assembly

Stainless Steel

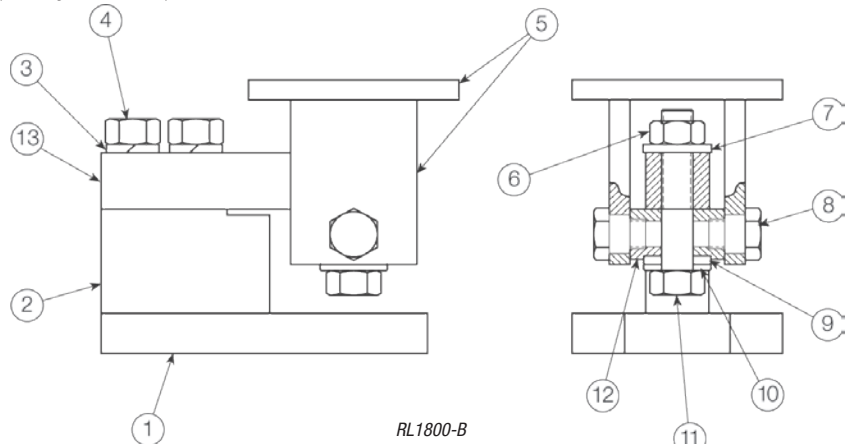


Part Number/Price

Ref#	Part#	Description	Price
	25712	Installation manual	Consult
Rated Capacity: 1,000 lb - 4,000 lb			
1	22732	Base plate	Consult
2	22733	Load cell mounting block	Consult
3	15168	Lock washer	Consult
4	14766	Load cell bolt	Consult
5	22734	Upper support	Consult
6	14665	Jam nut	Consult
7	15175	Flat washer	Consult
8	22735	Shoulder bolt	Consult
9	22736	Concave washer	Consult
10	22737	Convex washer	Consult
11	14760	Hex-head loading bolt	Consult
12	22738	Upper support loading block	Consult
13	30649	Load cell, RL35023S - 1,000 lb	Consult
	31283	Load cell, RL35082 - 1,000 lb (1855 HE)	Consult
	34702	Load cell, RL35082 - 1,000 lb (1855 HE-HS)	Consult
	30650	Load cell, RL35023S - 2,000 lb	Consult
	30651	Load cell, RL35023S - 2,500 lb	Consult
	31282	Load cell, RL35082 - 2,500 lb (1855 HE)	Consult
	34703	Load cell, RL35082 - 2,500 lb (1855 HE-HS)	Consult
	30652	Load cell, RL35023S - 4,000 lb	Consult
	31281	Load cell, RL35082 - 4,000 lb (1855 HE)	Consult
	34704	Load cell, RL35082 - 4,000 lb (1855 HE-HS)	Consult
Rated Capacity: 5,000 lb LE and 10,000 lb			
1	22739	Base plate	Consult
2	22740	Load cell mounting block	Consult
3	15182	Lock washer	Consult
4	14789	Load cell bolt	Consult
5	22741	Upper support	Consult
6	14688	Jam nut	Consult
7	15180	Flat washer	Consult
8	22735	Shoulder bolt	Consult
9	22742	Concave washer	Consult
10	22743	Convex washer set	Consult
11	14787	Hex-head loading bolt	Consult
12	22744	Upper support loading block	Consult
13	30653	Load cell, RL35023S - 5,000 lb LE	Consult
	31280	Load cell, RL35082 - 5,000 lb (1855 HE)	Consult
	34705	Load cell, RL35082 - 5,000 lb (1855 HE-HS)	Consult
	30654	Load cell, RL35023S - 10,000 lb	Consult
	31279	Load cell, RL35082 - 10,000 lb (1855 HE)	Consult
	34706	Load cell, RL35082 - 10,000 lb (1855 HE-HS)	Consult

Note: 1855HE series weigh modules manufactured before 7/95 may use RL35083 load cells. Verify correct model number on load cell. LE refers to large envelope.

(See Diagram RL1800-B)



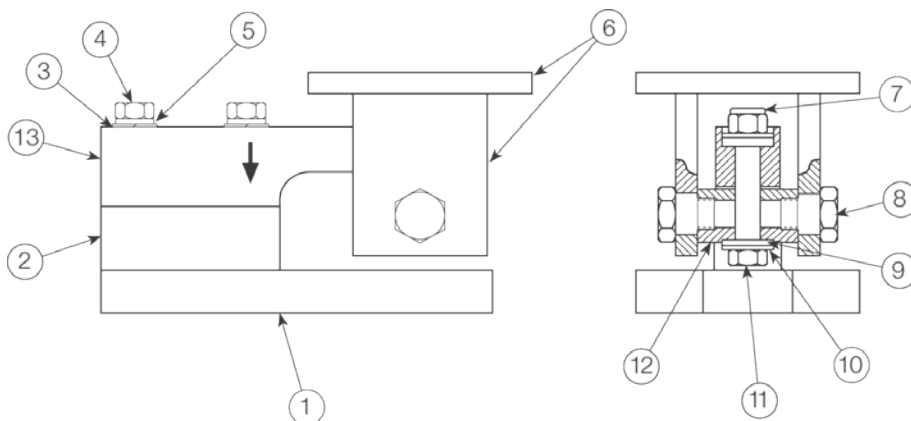
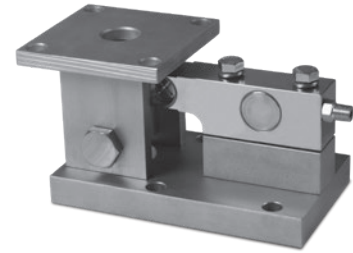
RL1900 Series Mounting Assembly

Stainless Steel

Part Number/Price

Ref#	Part#	Description	Price
	25711	Installation manual	Consult
Rated Capacity: 1,000 lb - 5,000 lb			
1	18254	Base plate	Consult
2	18253	Load cell mounting block	Consult
3	15175	Flat washer	Consult
4	14767	Load cell bolt	Consult
5	15168	Lock washer	Consult
6	22293	Upper support	Consult
7	14666	Nylon lock nut	Consult
8	22735	Shoulder bolt	Consult
9	22736	Concave washer	Consult
10	22737	Convex washer	Consult
11	14763	Hex-head loading bolt	Consult
12	22738	Upper support loading block	Consult
13	34310	Load cell, RL SSB - 1,000 lb	Consult
	34311	Load cell, RL SSB - 2,000 lb	Consult
	34312	Load cell, RL SSB - 5,000 lb	Consult
Rated Capacity: 10,000 lb			
1	18280	Base plate	Consult
2	18281	Load cell mounting block	Consult
3	15180	Flat washer	Consult
4	14790	Load cell bolt	Consult
5	15182	Lock washer	Consult
6	18282	Upper support	Consult
7	14689	Nylon lock nut	Consult
8	22735	Shoulder bolt	Consult
9	22742	Concave washer	Consult
10	22743	Convex washer	Consult
11	14789	Hex-head loading bolt	Consult
12	22744	Upper support loading block	Consult
13	34313	Load cell, RL SSB - 10,000 lb	Consult

(See Diagram RL1900-A)



RL1900-A

RL1600/65016 TWA Series Tank Weighing Assembly

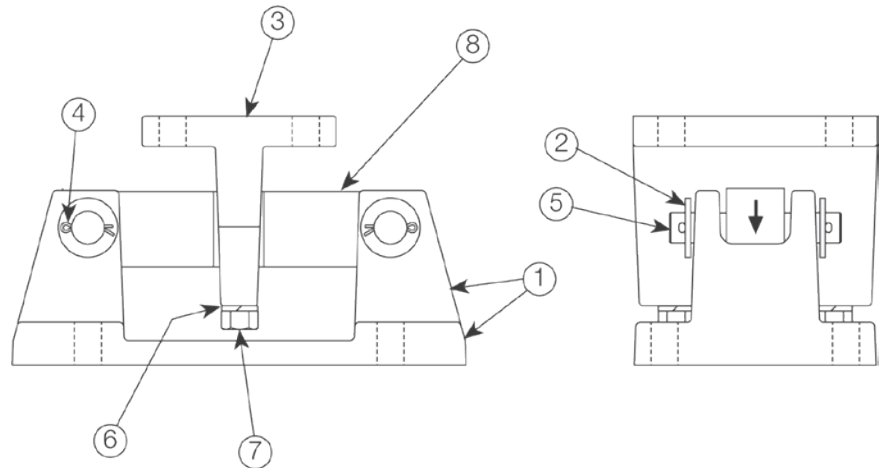
Cast Iron



Part Number/Price

Ref#	Part#	Description	Price
	16952	Installation manual	Consult
Rated Capacity: 1,000 lb - 5,000 lb			
1	18439	Tank-mount base	Consult
2	15165	Washer	Consult
3	18443	Load plate and clamp	Consult
4	15232	Cotter pin 1/8 in x 3/4 in	Consult
5	18449	Pin	Consult
6	15167	Lock washer	Consult
7	15080	Clamp screw	Consult
8	17300	Load cell, RL75016 - 1,000 lb	Consult
8	17302	Load cell, RL75016 - 1,500 lb	Consult
8	17304	Load cell, RL75016 - 2,000 lb	Consult
8	17306	Load cell, RL75016 - 2,500 lb	Consult
8	17308	Load cell, RL75016 - 3,000 lb	Consult
8	17309	Load cell, RL75016 - 5,000 lb	Consult
8	17268	Sensortronics load cell, 65016 - 1,000 lb	Consult
8	17270	Sensortronics load cell, 65016 - 1,500 lb	Consult
8	17273	Sensortronics load cell, 65016 - 2,500 lb	Consult
8	17275	Sensortronics load cell, 65016 - 5,000 lb	Consult
Rated Capacity: 10,000 lb - 25,000 lb			
1	18441	Tank-mount base	Consult
2	15179	Washer	Consult
3	18445	Load plate and clamp	Consult
4	15237	Cotter pin 1/8 in x 1 in	Consult
5	18448	Pin	Consult
6	15181	Lock washer	Consult
7	15099	Clamp screw	Consult
8	17311	Load cell, RL75016 - 10,000 lb	Consult
8	17313	Load cell, RL75016 - 15,000 lb	Consult
8	17315	Load cell, RL75016 - 20,000 lb	Consult
8	17317	Load cell, RL75016 - 25,000 lb	Consult
8	17277	Sensortronics load cell, 65016 - 10,000 lb	Consult
8	17279	Sensortronics load cell, 65016 - 15,000 lb	Consult
8	17281	Sensortronics load cell, 65016 - 20,000 lb	Consult
8	17282	Sensortronics load cell, 65016 - 25,000 lb	Consult

(See Diagram RL1600-B)



RL1600-B

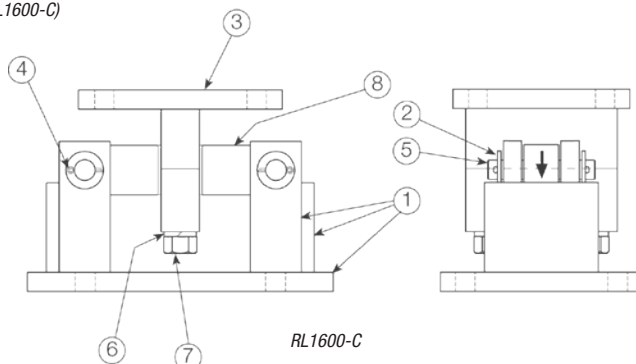
RL1600/65016 TWA Series Tank Weighing Assembly

Mild Steel

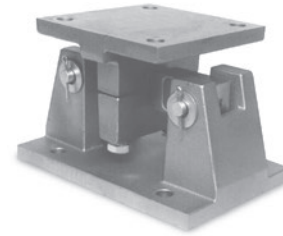
Part Number/Price

Ref#	Part#	Description	Price
	16952	Installation manual	Consult
Rated Capacity: 1,000 lb - 5,000 lb			
1	22745	Tank-mount base	Consult
2	15165	Washer	Consult
3	22746	Load plate and clamp	Consult
4	15232	Cotter pin	Consult
5	22747	Pin	Consult
6	15167	Lock washer	Consult
7	14757	Clamp bolt	Consult
8	17300	Load cell, RL75016 - 1,000 lb	Consult
	17302	Load cell, RL75016 - 1,500 lb	Consult
	17304	Load cell, RL75016 - 2,000 lb	Consult
	17306	Load cell, RL75016 - 2,500 lb	Consult
	17308	Load cell, RL75016 - 3,000 lb	Consult
	17309	Load cell, RL75016 - 5,000 lb	Consult
	17268	Sensortronics load cell, 65016 - 1,000 lb	Consult
	17270	Sensortronics load cell, 65016 - 1,500 lb	Consult
	17273	Sensortronics load cell, 65016 - 2,500 lb	Consult
	17275	Sensortronics load cell, 65016 - 5,000 lb	Consult
Rated Capacity: 10,000 lb - 25,000 lb			
1	22748	Tank-mount base	Consult
2	15179	Washer	Consult
3	22749	Load plate and clamp	Consult
4	15237	Cotter pin	Consult
5	22750	Pin	Consult
6	15181	Lock washer	Consult
7	15097	Clamp screw cap	Consult
8	17311	Load cell, RL75016 - 10,000 lb	Consult
	17313	Load cell, RL75016 - 15,000 lb	Consult
	17315	Load cell, RL75016 - 20,000 lb	Consult
	17317	Load cell, RL75016 - 25,000 lb	Consult
	17277	Sensortronics load cell, 65016 - 10,000 lb	Consult
	17279	Sensortronics load cell, 65016 - 15,000 lb	Consult
	17281	Sensortronics load cell, 65016 - 20,000 lb	Consult
	17282	Sensortronics load cell, 65016 - 25,000 lb	Consult
Rated Capacity: 50,000 lb and 75,000 lb			
1	22751	Tank-mount base	Consult
2	15184	Washer	Consult
3	22752	Load plate and clamp, 50,000 lb only	Consult
3	25364	Load plate and clamp, 75,000 lb only	Consult
4	15257	Cotter pin	Consult
5	22753	Pin	Consult
6	15189	Lock washer	Consult
7	14799	Clamp screw bolt	Consult
8	17319	Load cell, RL75016 - 50,000 lb	Consult
	25357	Load cell, RL75016 - 75,000 lb	Consult
	17284	Sensortronics load cell, 65016 - 50,000 lb	Consult
	25358	Sensortronics load cell, 65016 - 75,000 lb	Consult

(See Diagram RL1600-C)



RL1600-C



RL1600/65016 TWA Series Tank Weighing Assembly

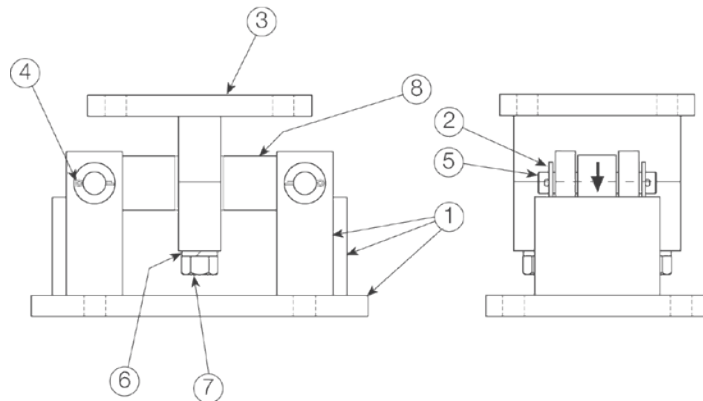
Stainless Steel



Part Number/Price

Ref#	Part#	Description	Price
	16952	Installation manual	Consult
Rated Capacity: 1,000 lb - 5,000 lb			
1	22754	Tank-mount base	Consult
2	15166	Washer	Consult
3	22755	Load plate and clamp	Consult
4	15233	Cotter pin	Consult
5	22747	Pin	Consult
6	15168	Lock washer	Consult
7	14758	Clamp screw bolt	Consult
8	17301	Load cell, RL75016SS - 1,000 lb	Consult
	17303	Load cell, RL75016SS - 1,500 lb	Consult
	17305	Load cell, RL75016SS - 2,000 lb	Consult
	17307	Load cell, RL75016SS - 2,500 lb	Consult
	17310	Load cell, RL75016SS - 5,000 lb	Consult
	67043	Load cell, RL75016WHE - 1,000 lb	Consult
	67044	Load cell, RL75016WHE - 1,500 lb	Consult
	67045	Load cell, RL75016WHE - 2,000 lb	Consult
	67046	Load cell, RL75016WHE - 2,500 lb	Consult
	67047	Load cell, RL75016WHE - 5,000 lb	Consult
	36295	Sensortronics load cell, 65016W - 1,000 lb	Consult
	36296	Sensortronics load cell, 65016W - 1,500 lb	Consult
36298	Sensortronics load cell, 65016W - 2,500 lb	Consult	
36299	Sensortronics load cell, 65016W - 5,000 lb	Consult	
Rated Capacity: 10,000 lb - 25,000 lb			
1	22756	Tank-mount base	Consult
2	15180	Washer	Consult
3	22757	Load plate and clamp	Consult
4	15238	Cotter pin	Consult
5	22750	Pin	Consult
6	15182	Lock washer	Consult
7	15098	Clamp screw cap	Consult
8	17312	Load cell, RL75016SS - 10,000 lb	Consult
	17314	Load cell, RL75016SS - 15,000 lb	Consult
	17316	Load cell, RL75016SS - 20,000 lb	Consult
	17318	Load cell, RL75016SS - 25,000 lb	Consult
	67048	Load cell, RL75016WHE - 10,000 lb	Consult
	67049	Load cell, RL75016WHE - 15,000 lb	Consult
	67050	Load cell, RL75016WHE - 20,000 lb	Consult
	67051	Load cell, RL75016WHE - 25,000 lb	Consult
	36300	Sensortronics load cell, 65016W - 10,000 lb	Consult
	36301	Sensortronics load cell, 65016W - 15,000 lb	Consult
	36302	Sensortronics load cell, 65016W - 20,000 lb	Consult
	36303	Sensortronics load cell, 65016W - 25,000 lb	Consult

(See Diagram RL1600-D)



RL1600-D

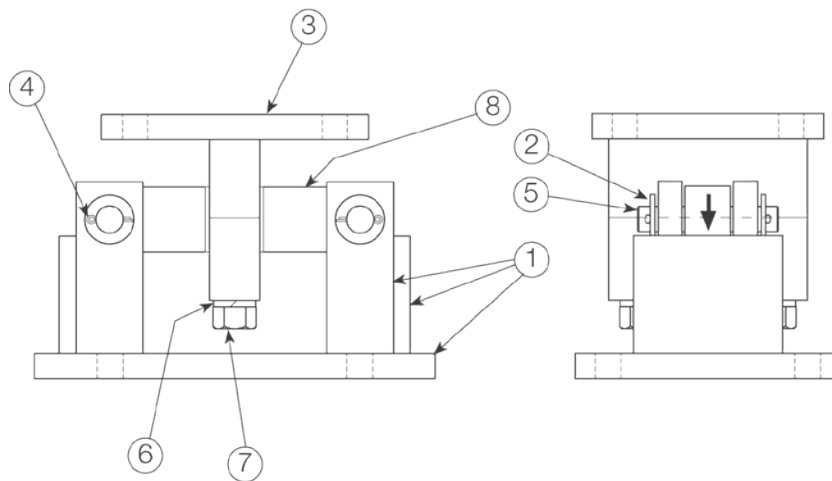
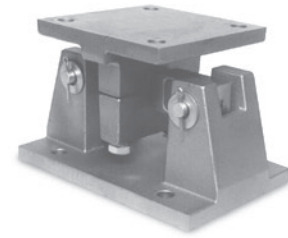
RL1600/65016 TWA Series Tank Weighing Assembly

Stainless Steel

Part Number/Price

Ref#	Part#	Description	Price
	16952	Installation manual	Consult
Rated Capacity: 50,000 lb and 75,000 lb			
1	10124	Tank-mount base	Consult
2	86516	Washer	Consult
3	10128	Load plate and clamp, 50,000 lb only	Consult
	25365	Load plate and clamp, 75,000 lb only*	Consult
4	15258	Cotter pin	Consult
5	22753	Pin	Consult
6	15189	Lock washer	Consult
7	14800	Clamp screw bolt	Consult
8	17320	Load cell, RL75016SS - 50,000 lb	Consult
	25356	Load cell, RL75016SS - 75,000 lb	Consult
	36304	Sensortronics load cell, 65016W - 50,000 lb	Consult
	36305	Sensortronics load cell, 65016W - 75,000 lb	Consult

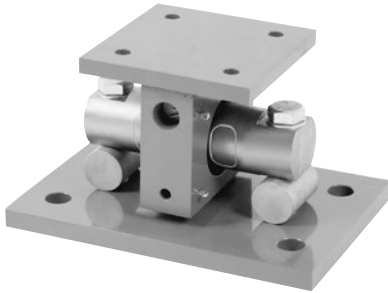
* Note: Square load cell clamp
(See Diagram RL1600-E)



RL1600-E

EZ Mount 1 Tank-mounting Assembly

Mild Steel



Part Number/Price

Ref#	Part#	Description	Price
	25710	Installation manual	Consult
Rated Capacity: 5,000 lb - 20,000 lb			
1	18273	Top-plate loading bracket	Consult
2	14773	Load cell bolt	Consult
3	15177	Washer	Consult
4	36263	Load cell, RL70000 - 5,000 lb	Consult
	36264	Load cell, RL70000 - 10,000 lb	Consult
	36265	Load cell, RL70000 - 20,000 lb	Consult
	34494	Load cell, RTI 5103 - 5,000 lb	Consult
	34495	Load cell, RTI 5103 - 10,000 lb	Consult
	34496	Load cell, RTI 5103 - 20,000 lb	Consult
5	18267	Load bearing pin	Consult
6	18264	Base plate	Consult
7	18270	Load pin	Consult
8	18261	Locating pin RTI	Consult
9	15229	Cotter pin	Consult
Rated Capacity: 30,000 lb - 60,000 lb			
1	18274	Top-plate loading bracket	Consult
2	14795	Load cell bolt	Consult
3	15184	Washer	Consult
4	36266	Load cell, RL70000 - 30,000 lb	Consult
	36267	Load cell, RL70000 - 40,000 lb	Consult
	36268	Load cell, RL70000 - 50,000 lb	Consult
	36269	Load cell, RL70000 - 60,000 lb	Consult
	34497	Load cell, RTI 5103 - 30,000 lb	Consult
	34498	Load cell, RTI 5103 - 40,000 lb	Consult
	34499	Load cell, RTI 5103 - 50,000 lb	Consult
	34500	Load cell, RTI 5103 - 60,000 lb	Consult
5	18268	Load bearing pin	Consult
6	18265	Base plate	Consult
7	18271	Load pin	Consult
8	18262	Locating pin	Consult
9	15251	Cotter pin	Consult
Rated Capacity: 100,000 lb and 150,000 lb			
1	18275	Top-plate loading bracket, 100,000 lb	Consult
1	29014	Top-plate loading bracket, 150,000 lb	Consult
2	14797	Load cell bolt	Consult
3	15184	Washer	Consult
4	36270	Load cell, RL70000 - 100,000 lb	Consult
	36976	Load cell, RL70000 - 150,000 lb	Consult
	34501	Load cell, RTI 5103 - 100,000 lb	Consult
	17292	Load cell, RTI 5103 - 150,000 lb	Consult
5	18269	Load bearing pin	Consult
6	18266	Base plate	Consult
7	18272	Load pin	Consult
8	18263	Locating pin	Consult
9	15257	Cotter pin	Consult
Rated Capacity: 200,000 lb and 250,000 lb			
1	26061	Top-plate loading bracket	Consult
2	26071	Load cell bolt	Consult
3	26070	Washer	Consult
4	17293	Load cell, RTI 5103 - 200,000 lb	Consult
	17294	Load cell, RTI 5103 - 250,000 lb	Consult
5	26073	Load bearing pin	Consult
6	26074	Base plate	Consult
7	26067	Load pin	Consult
8	26076	Locating pin	Consult
9	26069	Cotter pin	Consult

(See Diagram EZ Mount 1-A)

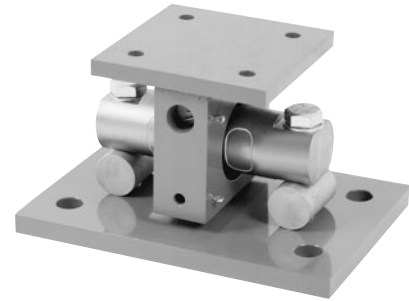
EZ Mount 1 Tank-mounting Assembly

Stainless Steel

Part Number/Price

Ref#	Part#	Description	Price
	25710	Installation manual	Consult
Rated Capacity: 5,000 lb - 20,000 lb			
1	18376	Top-plate loading bracket	Consult
2	14774	Load cell bolt	Consult
3	15178	Washer	Consult
4	30431	Load cell, RL70000SS - 5,000 lb	Consult
	30432	Load cell, RL70000SS - 10,000 lb	Consult
	30433	Load cell, RL70000SS - 20,000 lb	Consult
	118462	Load cell, RL72010MH - 5,000 lb	Consult
	118463	Load cell, RL72010MH - 10,000 lb	Consult
	118464	Load cell, RL72010MH - 20,000 lb	Consult
	17328	Load cell, RTI 9103 - 5,000 lb	Consult
	17329	Load cell, RTI 9103 - 10,000 lb	Consult
	17330	Load cell, RTI 9103 - 20,000 lb	Consult
5	18267	Load bearing pin	Consult
6	18370	Base plate	Consult
7	18270	Load pin	Consult
8	18373	Locating pin	Consult
9	15230	Cotter pin	Consult
Rated Capacity: 30,000 lb - 60,000 lb			
1	18377	Top-plate loading bracket	Consult
2	14796	Load cell bolt	Consult
3	15187	Washer	Consult
4	30434	Load cell, RL70000SS - 30,000 lb	Consult
	30435	Load cell, RL70000SS - 40,000 lb	Consult
	30436	Load cell, RL70000SS - 50,000 lb	Consult
	30437	Load cell, RL70000SS - 60,000 lb	Consult
	118465	Load cell, RL72010MH - 30,000 lb	Consult
	118466	Load cell, RL72010MH - 40,000 lb	Consult
	118467	Load cell, RL72010MH - 50,000 lb	Consult
	118468	Load cell, RL72010MH - 60,000 lb	Consult
	17333	Load cell, RTI 9103 - 50,000 lb	Consult
	17334	Load cell, RTI 9103 - 60,000 lb	Consult
5	18268	Load bearing pin	Consult
6	18371	Base plate	Consult
7	18271	Load pin	Consult
8	18374	Locating pin	Consult
9	15252	Cotter pin	Consult
Rated Capacity: 100,000 lb and 150,000 lb			
1	18378	Top-plate loading bracket, 100,000 lb	Consult
	29013	Top-plate loading bracket, 150,000 lb	Consult
2	14798	Load cell bolt	Consult
3	15187	Washer	Consult
4	30444	Load cell, RL70000SS - 100,000 lb	Consult
	30445	Load cell, RL70000SS - 150,000 lb	Consult
	17335	Load cell, RTI 9103 - 100,000 lb	Consult
	17336	Load cell, RTI 9103 - 150,000 lb	Consult
5	18269	Load bearing pin	Consult
6	18372	Base plate	Consult
7	18272	Load pin	Consult
8	18375	Locating pin	Consult
9	15258	Cotter pin	Consult

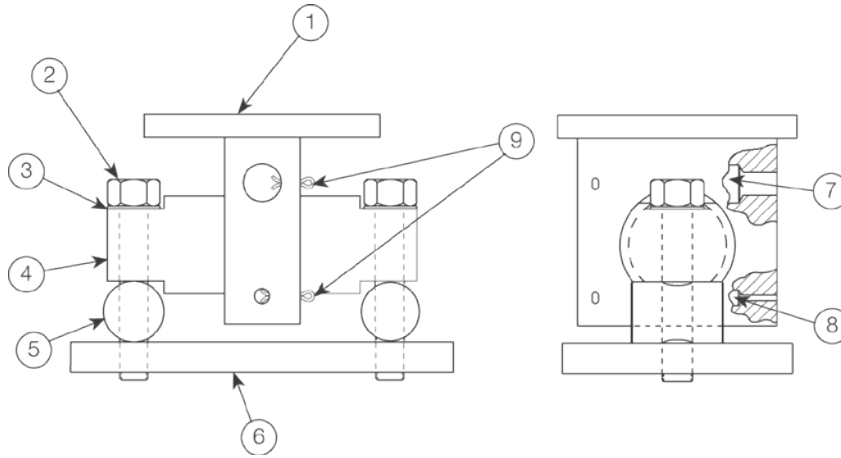
(See Diagram EZ Mount 1-A)



WEIGH MODULES

EZ Mount 1 Tank-mounting Assembly

Mild/Stainless Steel



EZ Mount 1-A

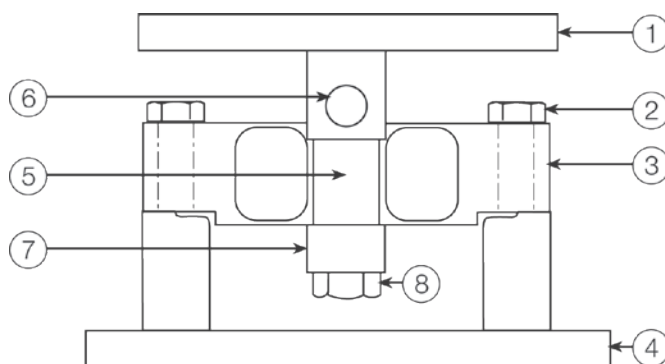
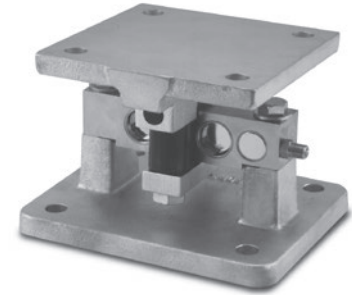
Weigh Modules

SURVIVOR® 2100HE Weigh Modules

Part Number/Price

Ref#	Part#	Description	Price
20,000 lb - 25,000 lb capacity			
1	33013	Top-plate, stainless steel	Consult
2	33474	Load cell bolt, stainless steel	Consult
3	53481	Load cell, RL75060S - 20,000 lb	Consult
	50559	Load cell, RL75060S - 25,000 lb	Consult
4	33012	Base plate, stainless steel	Consult
5	33015	Bushing set, rubber tube	Consult
6	33014	Load pin, stainless steel	Consult
7	33105	Retaining plate, stainless steel	Consult
8	33473	Retaining bolt, stainless steel	Consult
35,000 lb - 75,000 lb capacity			
1	33008	Top-plate, stainless steel	Consult
2	33431	Load cell bolt, stainless steel	Consult
3	50560	Load cell, RL75060S - 35,000 lb	Consult
	50561	Load cell, RL75060S - 50,000 lb	Consult
	50562	Load cell, RL75060S - 60,000 lb	Consult
	50563	Load cell, RL75060S - 75,000 lb	Consult
4	33007	Base plate, stainless steel	Consult
5	33020	Bushing set, rubber tube	Consult
6	33009	Load pin, stainless steel	Consult
7	33106	Retaining plate, stainless steel	Consult
8	33469	Retaining bolt, stainless steel	Consult
100,000 lb capacity			
1	33008	Top-plate, stainless steel	Consult
2	33431	Load cell bolt, stainless steel	Consult
3	50564	Load cell, RL75060S - 100,000 lb	Consult
4	33007	Base plate, stainless steel	Consult
5	33010	Bushing set, rubber tube	Consult
6	33009	Load pin, stainless steel	Consult
7	33107	Retaining plate, stainless steel	Consult
8	33430	Retaining bolt, stainless steel	Consult

(See Diagram SURVIVOR 2100HE-A)

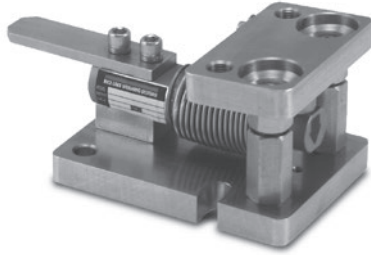


SURVIVOR 2100HE-A

WEIGH MODULES

SURVIVOR® 1700HE Weigh Modules

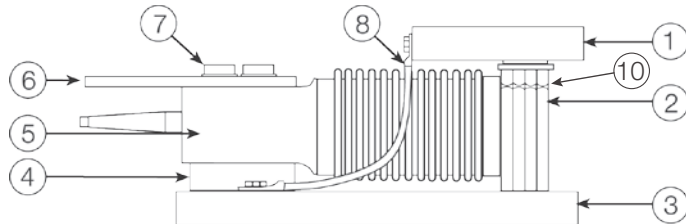
Stainless Steel



Part Number/Price

Ref#	Part#	Description	Price
Rated Capacity: 5 kg - 250 kg			
1	33036	Top-plate, stainless steel	Consult
2	125661	Coupling nut	Consult
3	33035	Base plate, stainless steel	Consult
4	33037	Load cell spacer, stainless steel	Consult
5	32678	Load cell, RLHBB - 5 kg, OIML C3	Consult
	31259	Load cell, RLHBB - 20 kg, OIML C3	Consult
	31260	Load cell, RLHBB - 50 kg, OIML C3	Consult
	31261	Load cell, RLHBB - 100 kg, OIML C3	Consult
	31262	Load cell, RLHBB - 200 kg, OIML C3	Consult
	31263	Load cell, RLHBB - 250 kg, OIML C3	Consult
6	33038	Cable guard plate, stainless steel	Consult
7	33040	Load cell bolt, stainless steel	Consult
8	33039	Ground strap	Consult
	49504	Load button	Consult
9	15058	Cap screw	Consult
10	14662	Jam nut	Consult
Rated Capacity: 500 kg - 2,000 kg			
1	159182	Top-plate, stainless steel	Consult
2	125661	Coupling nut	Consult
3	159181	Base plate, stainless steel	Consult
4	159186	Load cell spacer, stainless steel	Consult
5	31253	Load cell, RLHTO - 500 kg, OIML C3	Consult
	31250	Load cell, RLHTO - 1000 kg, OIML C3	Consult
	31251	Load cell, RLHTO - 2000 kg, OIML C3	Consult
6	159187	Cable guard plate, stainless steel	Consult
7	159191	Load cell bolt, stainless steel	Consult
8	159183	Ground strap	Consult
9	104283	Cap screw	Consult
10	159188	Load button	Consult
11	14662	Jam nut	Consult
Rated Capacity: 5000 kg			
1	33043	Top-plate, stainless steel	Consult
2	33048	Checking/jacking assembly, stainless steel	Consult
3	33042	Base plate, stainless steel	Consult
4	33044	Load cell spacer, stainless steel	Consult
5	31252	Load cell, RLHTO - 5000 kg, OIML C3	Consult
6	33045	Cable guard plate, stainless steel	Consult
7	33047	Load cell bolt set, stainless steel	Consult
8	33046	Ground strap	Consult

(See Diagram SURVIVOR 1700HE-A)



SURVIVOR 1700HE-A

Weigh Modules

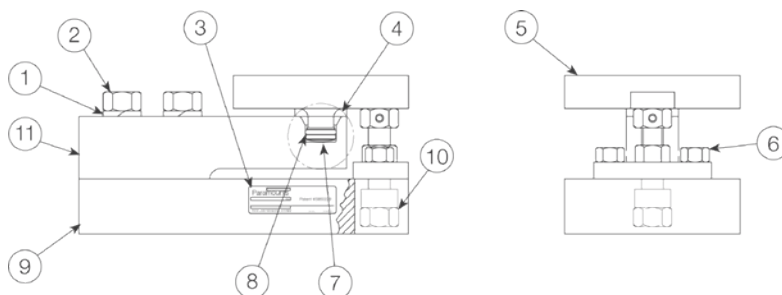
Paramounts® Mounting Assembly-Fixed Pin Mount

Mild Steel

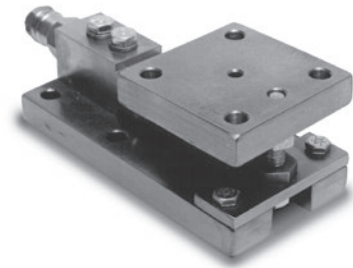
Part Number/Price

Ref#	Part#	Description	Price
	16953	Installation manual	Consult
Rated Capacity: 2.3 KN (520 lb)			
1	15167	Lock washer	Consult
2	15080	Load cell screw	Consult
3	16877	Label, Paramount	Consult
4	18332	Gasket	Consult
5	18312	Top-plate	Consult
6	15019	Washer-plate screws	Consult
7	18340	Fixed load pin	Consult
8	15325	O-ring	Consult
9	37896	Base plate	Consult
10	37891	Bolt, washer-plate and sleeve assembly	Consult
11	38215	Load cell, Flintec SB 10-2.3 KN (520 lb)	Consult
Rated Capacity: 5 KN (1,125 lb) - 23 KN (5,200 lb)			
1	15167	Lock washer	Consult
2	15080	Load cell screw	Consult
3	16877	Label, Paramount	Consult
4	18332	Gasket	Consult
5	18312	Top-plate	Consult
6	15019	Washer-plate screws	Consult
7	18340	Fixed load pin	Consult
8	15325	O-ring	Consult
9	18284	Base plate	Consult
10	18417	Bolt, washer-plate and sleeve assembly	Consult
See current load cell guide for complete line of SB4 and SB5 load cells			
	100169	Load cell, Flintec SB4 - 5 KN (1,125 lb Paramounts)	Consult
	100170	Load cell, Flintec SB4 - 10 KN (2,250 lb Paramounts)	Consult
	100171	Load cell, Flintec SB4 - 23 KN (5,200 lb Paramounts)	Consult
	100174	Load cell, Flintec SB5 - 5 KN (1,125 lb Paramounts EP)	Consult
	100175	Load cell, Flintec SB5 - 10 KN (2,250 lb Paramounts EP)	Consult
	100176	Load cell, Flintec SB5 - 20 KN (4,500 lb Paramount EP)	Consult
Rated Capacity: 50 KN (11,250 lb)			
1	15181	Lock washer	Consult
2	15097	Load cell screw	Consult
3	16877	Label, Paramount	Consult
4	18333	Gasket	Consult
5	18313	Top-plate	Consult
6	15059	Washer-plate screws	Consult
7	18341	Fixed load pin	Consult
8	15326	O-ring	Consult
9	18285	Base plate	Consult
10	18418	Bolt, washer-plate and sleeve assembly	Consult
See current load cell guide for complete line of SB4 and SB5 load cells			
	100173	Load cell, Flintec SB4 - 50 KN (11,250 lb Paramounts)	Consult
	100177	Load cell, Flintec SB5 - 50KN (11,250 lb Paramounts EP)	Consult

(See Diagram Fixed Pin Paramounts-A)

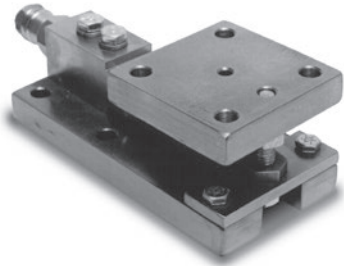


Fixed Pin
Paramounts-A



Paramounts® Mounting Assembly-Fixed Pin Mount

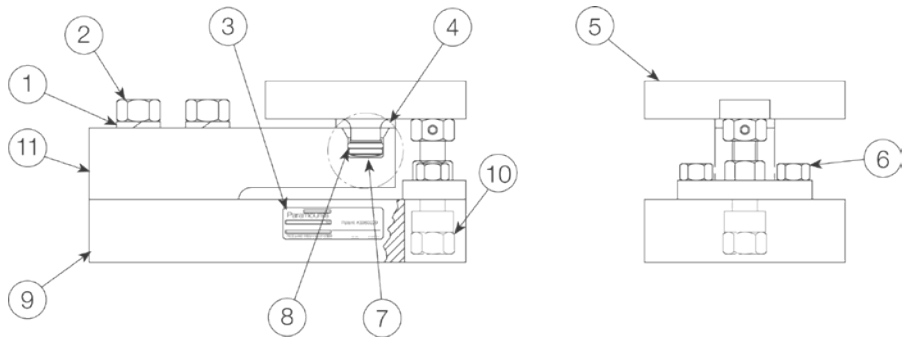
Mild Steel



Part Number/Price

Ref#	Part#	Description	Price
	16953	Installation manual	Consult
Rated Capacity: 100 KN (22,500 lb)			
1	15185	Lock washer	Consult
2	15102	Load cell screw	Consult
3	16877	Label, Paramount	Consult
4	18334	Gasket	Consult
5	18314	Top-plate	Consult
6	15091	Washer-plate screws	Consult
7	18342	Fixed load pin	Consult
8	15327	O-ring	Consult
9	18286	Base plate	Consult
10	18419	Bolt, washer-plate and sleeve assembly	Consult
See current load cell guide for complete line of SB4 and SB5 load cells			
	100168	Load cell, Flintec SB4 - 100 KN (22,500 lb Paramounts)	Consult
	100178	Load cell, Flintec SB5 - 100 KN (22,500 lb Paramounts EP)	Consult

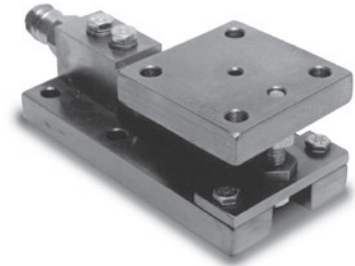
(See Diagram Fixed Pin Paramounts-A)



Fixed Pin
Paramounts-A

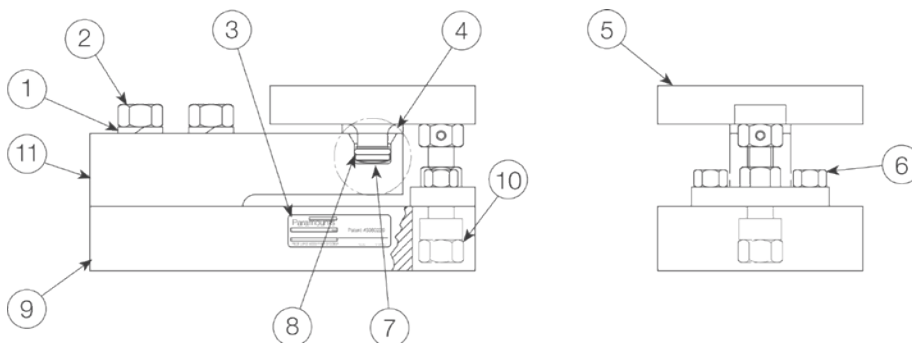
Paramounts® Mounting Assembly-Fixed Pin Mount

Stainless Steel



Ref#	Part#	Description	Price
	16953	Installation manual	Consult
Rated Capacity: 2.3 KN (520 lb)			
1	15168	Lock washer	Consult
2	15081	Load cell screw	Consult
3	16877	Label, Paramounts	Consult
4	18332	Gasket	Consult
5	18316	Top-plate	Consult
6	15020	Washer-plate screws	Consult
7	18340	Fixed load pin	Consult
8	15325	O-ring	Consult
9	37895	Base plate	Consult
10	37892	Bolt, washer-plate and sleeve assembly	Consult
11	38215	Load cell, Flintec SB10 - 2.3 KN (520 lb)	Consult
Rated Capacity: 5 KN (1,125 lb) - 23 KN (5,200 lb)			
1	15168	Lock washer	Consult
2	15081	Load cell screw	Consult
3	16877	Label, Paramounts	Consult
4	18332	Gasket	Consult
5	18316	Top-plate	Consult
6	15020	Washer-plate screws	Consult
7	18340	Fixed load pin	Consult
8	15325	O-ring	Consult
9	18288	Base plate	Consult
10	18427	Bolt, washer-plate and sleeve assembly	Consult
See current load cell guide for complete line of SB4 and SB5 load cells			
	100169	Load cell, Flintec SB4 - 5 KN (1,125 lb)	Consult
	100170	Load cell, Flintec SB4 - 10 KN (2,250 lb)	Consult
	100171	Load cell, Flintec SB4 - 23 KN (5,200 lb)	Consult
Rated Capacity: 50 KN (11,250 lb)			
1	15182	Lock washer	Consult
2	15098	Load cell screw	Consult
3	16877	Label, Paramounts	Consult
4	18333	Gasket	Consult
5	18317	Top-plate	Consult
6	15060	Washer-plate screws	Consult
7	18341	Fixed load pin	Consult
8	15326	O-ring	Consult
9	18289	Base plate	Consult
10	18428	Bolt, washer-plate and sleeve assembly	Consult
See current load cell guide for complete line of SB4 and SB5 load cells			
	100173	Load cell, Flintec SB4 - 50 KN (11,250 lb)	Consult

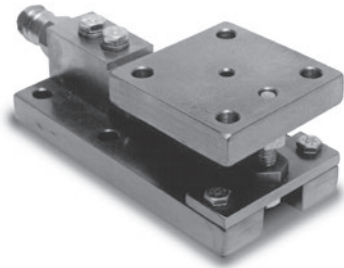
(See Diagram Fixed Pin Paramounts-A)



Fixed Pin
Paramounts-A

Paramounts® Mounting Assembly-Fixed Pin Mount

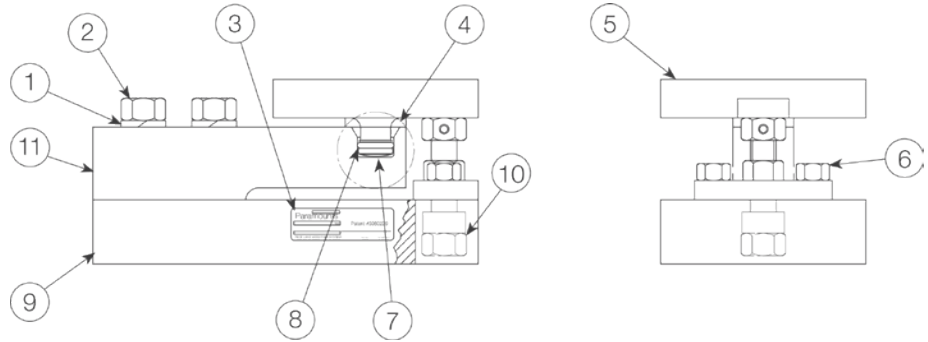
Stainless Steel



Part Number/Price

Ref#	Part#	Description	Price
	16953	Installation manual	Consult
Rated Capacity: 100 KN (22,500 lb)			
1	15186	Lock washer	Consult
2	15103	Load cell screw	Consult
3	16877	Label, Paramounts	Consult
4	18334	Gasket	Consult
5	18318	Top-plate	Consult
6	15092	Washer-plate screws	Consult
7	18342	Fixed load pin	Consult
8	15327	O-ring	Consult
9	18290	Base plate	Consult
10	18429	Bolt, washer-plate and sleeve assembly	Consult
See current load cell guide for complete line of SB4 and SB5 load cells			
	100168	Load cell, Flintec SB4 - 100 KN (22,500 lb)	Consult

(See Diagram Fixed Pin Paramounts-A)



Fixed Pin
Paramounts-A

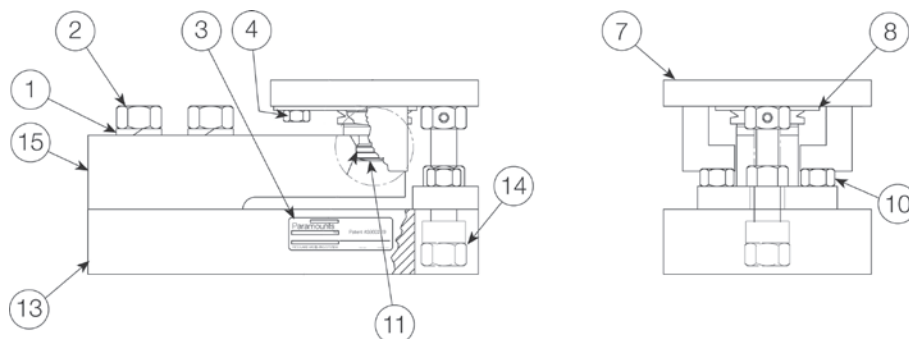
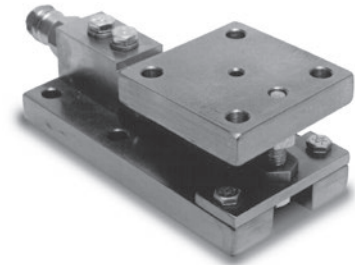
Paramounts® Mounting Assembly-Side Stop Mount

Mild Steel

Part Number/Price

Ref#	Part#	Description	Price
	16953	Installation manual	Consult
Rated Capacity: 2.3 KN (520 lb)			
1	15167	Lock washer	Consult
2	15080	Load cell screws	Consult
3	16877	Label, Paramount	Consult
4	14955	Slide plate screws	Consult
7	18296	Top-plate	Consult
8	18292	Slide plate, SS	Consult
10	15019	Washer-plate screws	Consult
11	51789	Sliding load pin, sub assembly	Consult
13	37896	Base plate	Consult
14	37889	Bolt, washer-plate and sleeve assembly	Consult
15	38215	Load cell, Flintec SB10 - 2.3 KN (520 lb)	Consult
Rated Capacity: 5 KN (1,125 lb) - 23 KN (5,200 lb)			
1	15167	Lock washer	Consult
2	15080	Load cell screws	Consult
3	16877	Label, Paramount	Consult
4	14955	Slide plate screws	Consult
7	18296	Top-plate	Consult
8	18292	Slide plate, SS	Consult
10	15019	Washer-plate screws	Consult
11	51789	Sliding load pin, sub assembly	Consult
13	18284	Base plate	Consult
14	18431	Bolt, washer-plate and sleeve assembly	Consult
See current load cell guide for complete line of SB4 and SB5 load cells			
	100169	Load cell, Flintec SB4 - 5KN (1,125lb Paramounts)	Consult
	100170	Load cell, Flintec SB4 - 10 KN (2,250 lb Paramounts)	Consult
	100171	Load cell, Flintec SB4 - 23 KN (5,200 lb Paramounts)	Consult
	100174	Load cell, Flintec SB5 - 5 KN (1,125 lb Paramounts EP)	Consult
	100175	Load cell, Flintec SB5 - 10 KN (2,250 lb Paramounts EP)	Consult
	100176	Load cell, Flintec SB5 - 20 KN (4,500 lb Paramounts EP)	Consult

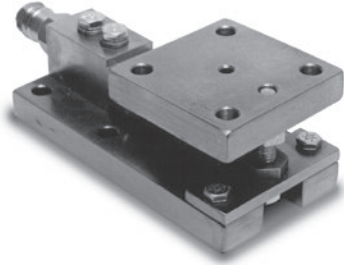
(See Diagram Side Stop Paramounts-A)



Side Stop
Paramounts-A

Paramounts® Mounting Assembly-Side Stop Mount

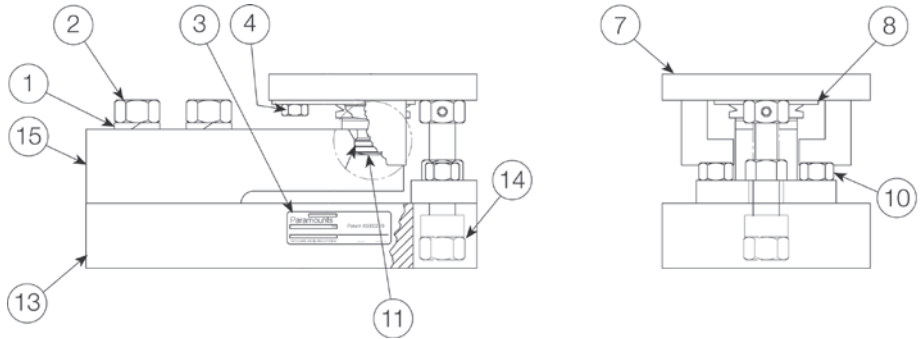
Mild Steel



Part Number/Price

Ref#	Part#	Description	Price
	16953	Installation manual	Consult
Rated Capacity: 50 KN (11,250 lb)			
1	15181	Lock washer	Consult
2	15097	Load cell screws	Consult
3	16877	Label, Paramount	Consult
4	14955	Slide plate screws	Consult
7	18297	Top-plate	Consult
8	18293	Slide plate, SS	Consult
10	15059	Washer-plate screws	Consult
11	51790	Sliding load pin, sub assembly	Consult
13	18285	Base plate	Consult
14	18432	Bolt, washer-plate and sleeve assembly	Consult
See current load cell guide for complete line of SB4 and SB5 load cells			
15	100173	Load cell, Flintec SB4 - 50 KN (11,250 lb Paramounts)	Consult
15	100177	Load cell, Flintec SB5 - 50 KN (11,250 lb Paramounts EP)	Consult
Rated Capacity: 100 KN (22,500 lb)			
1	15185	Lock washer	Consult
2	15102	Load cell screws	Consult
3	16877	Label, Paramount	Consult
4	14955	Slide plate screws	Consult
7	18298	Top-plate	Consult
8	18294	Slide plate, SS	Consult
10	15091	Washer-plate screws	Consult
11	51791	Sliding load pin, sub assembly	Consult
13	18286	Base plate	Consult
14	18433	Bolt, washer-plate and sleeve assembly	Consult
See current load cell guide for complete line of SB4 and SB5 load cells			

(See Diagram Side Stop Paramounts-B)



Side Stop
Paramounts-B

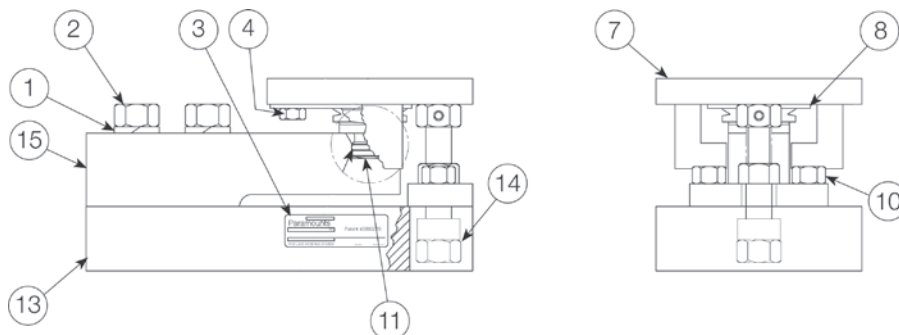
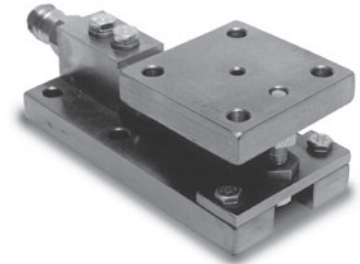
Paramounts® Mounting Assembly-Side Stop Mount

Stainless Steel

Part Number/Price

Ref#	Part#	Description	Price
	100168	Load cell, Flintec SB4 - 100 KN (22,500 lb Paramounts)	Consult
	100178	Load cell, Flintec SB5 - 100 KN (22,500 lb Paramounts EP)	Consult
	16953	Installation manual	Consult
Rated Capacity: 2.3 KN (520 lb)			
1	15168	Lock washer	Consult
2	15081	Load cell screws	Consult
3	16877	Label, Paramount	Consult
4	14956	Slide plate screws	Consult
7	18300	Top-plate	Consult
8	18292	Slide plate, SS	Consult
9	15321	V-ring	Consult
10	15020	Washer-plate screws	Consult
11	51789	Sliding load pin, sub assembly	Consult
13	37895	Base plate	Consult
14	37890	Bolt, washer-plate and sleeve assembly	Consult
	38215	Load cell, Flintec SB10 - 2.3 KN (520 lb)	Consult
Rated Capacity: 5 KN (1,125 lb) - 23 KN (5,200 lb)			
1	15168	Lock washer	Consult
2	15081	Load cell screws	Consult
3	16877	Label, Paramount	Consult
4	14956	Slide plate screws	Consult
5	18332	Gasket	Consult
6	18328	Sliding plate, PTFE coated	Consult
7	18300	Top-plate	Consult
8	18292	Slide plate, SS	Consult
9	15321	V-ring	Consult
10	15020	Washer-plate screws	Consult
11	51789	Sliding load pin, sub assembly	Consult
12	15325	O-ring	Consult
13	18288	Base plate	Consult
14	18435	Bolt, washer-plate and sleeve assembly	Consult
See current load cell guide for complete line of SB4 and SB5 load cells			
	100169	Load cell, Flintec SB4 - 5 KN (1,125 lb)	Consult
	100170	Load cell, Flintec SB4 - 10 KN (2,250 lb)	Consult
	100171	Load cell, Flintec SB4 - 23 KN (5,200 lb)	Consult

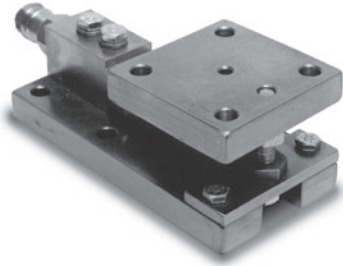
(See Diagram Side Stop Paramounts-C)



Side Stop
Paramounts-C

Paramounts® Mounting Assembly-Side Stop Mount

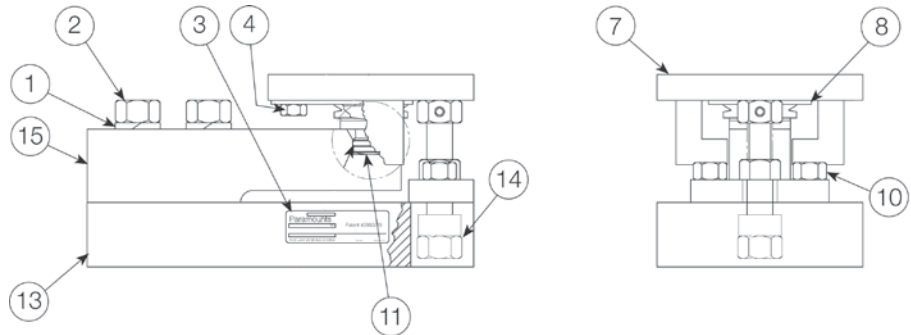
Stainless Steel



Part Number/Price

Ref#	Part#	Description	Price
	16953	Installation manual	Consult
Rated Capacity: 50 KN (11,250 lb)			
1	15182	Lock washer	Consult
2	15098	Load cell screws	Consult
3	16877	Label, Paramount	Consult
4	14956	Slide plate screws	Consult
7	17008	Top-plate	Consult
8	18293	Slide plate, SS	Consult
10	15060	Washer-plate screws	Consult
11	51790	Sliding load pin, sub assembly	Consult
13	18289	Base plate	Consult
14	18436	Bolt, washer-plate and sleeve assembly	Consult
See current load cell guide for complete line of SB4 load cells			
	100173	Load cell, Flintec SB4 - 50 KN (11,250 lb)	Consult
Rated Capacity: 100 KN (22,500 lb)			
1	15186	Lock washer	Consult
2	15103	Load cell screws	Consult
3	16877	Label, Paramount	Consult
4	14956	Slide plate screws	Consult
7	18302	Top-plate	Consult
8	18294	Slide plate, SS	Consult
10	15092	Washer-plate screws	Consult
11	51791	Sliding load pin, sub assembly	Consult
13	18290	Base plate	Consult
14	18437	Bolt, washer-plate and sleeve assembly	Consult
See current load cell guide for complete line of SB4 load cells			
	100168	Load cell, Flintec SB4 - 100 KN (22,500 lb)	Consult

(See Diagram Side Stop Paramounts-D)



Side Stop
Paramounts-D

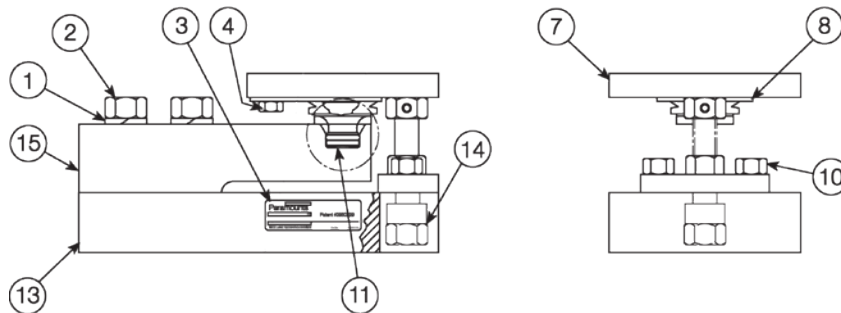
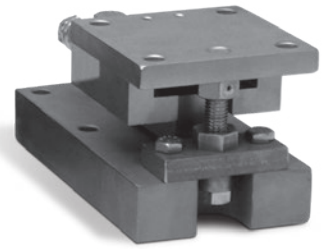
Paramounts® Mounting Assembly-Free Sliding Mount

Mild Steel

Part Number/Price

Ref#	Part#	Description	Price
	16953	Installation manual	Consult
Rated Capacity: 2.3 KN (520 lb)			
1	15167	Lock washer	Consult
2	15080	Load cell screws	Consult
3	16877	Label, Paramount	Consult
4	14955	Slide plate screws	Consult
7	18304	Top-plate	Consult
8	18292	Slide plate, stainless steel	Consult
10	15019	Washer-plate screws	Consult
11	51789	Sliding load pin, sub assembly	Consult
13	37896	Base plate	Consult
14	37889	Bolt, washer-plate and sleeve assembly	Consult
15	38215	Load cell, Flintec SB10 - 2.3 KN (520 lb)	Consult
Rated Capacity: 5 KN (1,125 lb) - 23 KN (5,200 lb)			
1	15167	Lock washer	Consult
2	15080	Load cell screws	Consult
3	16877	Label, Paramount	Consult
4	14955	Slide plate screws	Consult
7	18304	Top-plate	Consult
8	18292	Slide plate, stainless steel	Consult
10	15019	Washer-plate screws	Consult
11	51789	Sliding load pin, sub assembly	Consult
13	18284	Base plate	Consult
14	18431	Bolt, washer-plate and sleeve assembly	Consult
See current load cell guide for complete line of SB4 and SB5 load cells			
	100169	Load cell, Flintec SB4 - 5 KN (1,125 lb Paramounts)	Consult
	100170	Load cell, Flintec SB4 - 10 KN (2,250 lb Paramounts)	Consult
	100171	Load cell, Flintec SB4 - 23 KN (5,200 lb Paramounts)	Consult
	100174	Load cell, Flintec SB5 - 5 KN (1,125 lb Paramounts EP)	Consult
	100175	Load cell, Flintec SB5 - 10 KN (2,250 lb Paramounts EP)	Consult
	100176	Load cell, Flintec SB5 - 20 KN (4,500 lb Paramounts EP)	Consult

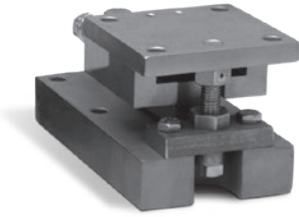
(See Diagram Free Sliding Paramounts-A)



Free Sliding Paramounts-A

Paramounts® Mounting Assembly-Free Sliding Mount

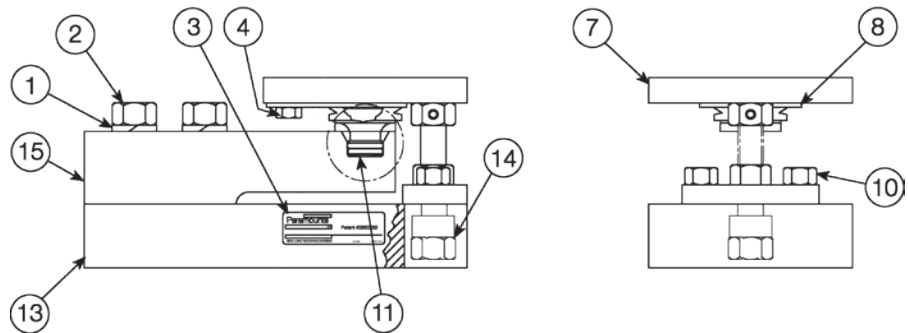
Mild Steel



Part Number/Price

Ref#	Part#	Description	Price
	16953	Installation manual	Consult
Rated Capacity: 50 KN (11,250 lb)			
1	15181	Lock washer	Consult
2	15097	Load cell screws	Consult
3	16877	Label, Paramount	Consult
4	14955	Slide plate screws	Consult
7	18305	Top-plate	Consult
8	18293	Slide plate, stainless steel	Consult
10	15059	Washer-plate screws	Consult
11	51790	Sliding load pin, sub assembly	Consult
13	18285	Base plate	Consult
14	18432	Bolt, washer-plate and sleeve assembly	Consult
See current load cell guide for complete line of SB4 and SB5 load cells			
	100173	Load cell, Flintec SB4 - 50 KN (11,250 lb Paramounts)	Consult
	100177	Load cell, Flintec SB5 - 50 KN (11,250 lb Paramounts EP)	Consult
Rated Capacity: 100 KN (22,500 lb)			
1	15185	Lock washer	Consult
2	15102	Load cell screws	Consult
3	16877	Label, Paramount	Consult
4	14955	Slide plate screws	Consult
7	18306	Top-plate	Consult
8	18294	Slide plate, stainless steel	Consult
10	15091	Washer-plate screws	Consult
11	51791	Sliding load pin, sub assembly	Consult
13	18286	Base plate	Consult
14	18433	Bolt, washer-plate and sleeve assembly	Consult
See current load cell guide for complete line of SB4 and SB5 load cells			
15	100168	Load cell, Flintec SB4 - 100 KN (22,500 lb Paramounts)	Consult
	100178	Load cell, Flintec SB5 - 100 KN (22,500 lb Paramounts EP)	Consult

(See Diagram Free Sliding Paramounts-B)



Free Sliding
Paramounts-B

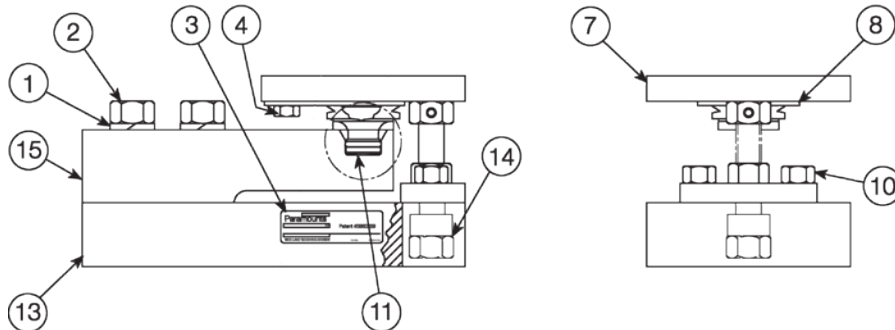
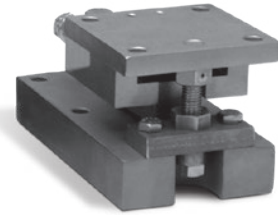
Paramounts® Mounting Assembly-Free Sliding Mount

Stainless Steel

Part Number/Price

Ref#	Part#	Description	Price
	16953	Installation manual	Consult
Rated Capacity: 2.3 KN (520 lb)			
1	15168	Lock washer	Consult
2	15081	Load cell screws	Consult
3	16877	Label, Paramount	Consult
4	14956	Slide plate screws	Consult
7	18308	Top-plate	Consult
8	18292	Slide plate, stainless steel	Consult
10	15020	Washer-plate screws	Consult
11	51789	Sliding load pin, sub assembly	Consult
13	37895	Base plate	Consult
14	37890	Bolt, washer-plate and sleeve assembly	Consult
15	38215	Load cell, Flintec SB10 - 2.3 KN (520 lb Paramounts EP)	Consult
Rated Capacity: 5 KN (1,125 lb) - 23 KN (5,200 lb)			
1	15168	Lock washer	Consult
2	15081	Load cell screws	Consult
3	16877	Label, Paramount	Consult
4	14956	Slide plate screws	Consult
7	18308	Top-plate	Consult
8	18292	Slide plate, stainless steel	Consult
10	15020	Washer-plate screws	Consult
11	51789	Sliding load pin, sub assembly	Consult
13	18288	Base plate	Consult
14	18435	Bolt, washer-plate and sleeve assembly	Consult
See current load cell guide for complete line of SB4 load cells			
15	100169	Load cell, Flintec SB4 - 5 KN (1,125 lb)	Consult
	100170	Load cell, Flintec SB4 - 10 KN (2,250 lb)	Consult
	100171	Load cell, Flintec SB4 - 23 KN (5,200 lb)	Consult

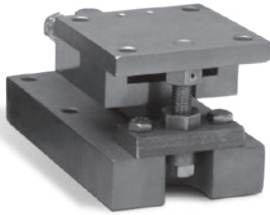
(See Diagram Free Sliding Paramounts-C)



Free Sliding
Paramounts-C

Paramounts® Mounting Assembly-Free Sliding Mount

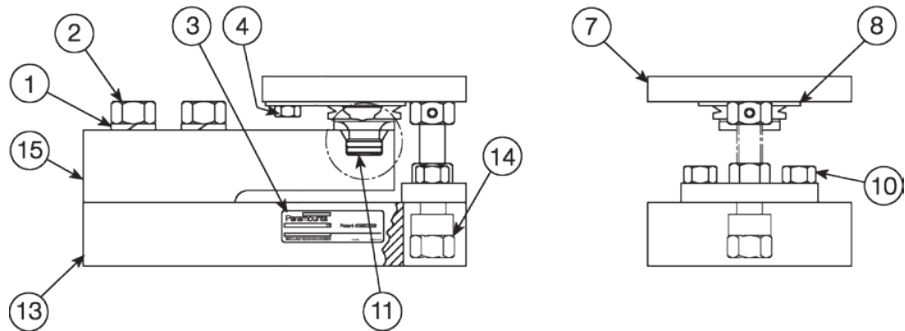
Stainless Steel



Part Number/Price

Ref#	Part#	Description	Price
	16953	Installation manual	Consult
Rated Capacity: 50 KN (11,250 lb)			
1	15182	Lock washer	Consult
2	15098	Load cell screws	Consult
3	16877	Label, Paramount	Consult
4	14956	Slide plate screws	Consult
7	18309	Top-plate	Consult
8	18293	Slide plate, stainless steel	Consult
10	15060	Washer-plate screws	Consult
11	51790	Sliding load pin, sub assembly	Consult
13	18289	Base plate	Consult
14	18436	Bolt, washer-plate and sleeve assembly	Consult
See current load cell guide for complete line of SB4 load cells			
15	100173	Load cell, Flintec SB4 - 50 KN (11,250 lb)	Consult
Rated Capacity: 100 KN (22,500 lb)			
1	15186	Lock washer	Consult
2	15103	Load cell screws	Consult
3	16877	Label, Paramount	Consult
4	14956	Slide plate screws	Consult
7	18310	Top-plate	Consult
8	18294	Slide plate, stainless steel	Consult
10	15092	Washer-plate screws	Consult
11	51791	Sliding load pin, sub assembly	Consult
13	18290	Base plate	Consult
14	18437	Bolt, washer-plate and sleeve assembly	Consult
See current load cell guide for complete line of SB4 load cells			
15	100168	Load cell, Flintec SB4 - 100 KN (22,500 lb)	Consult

(See Diagram Free Sliding Paramounts-D)

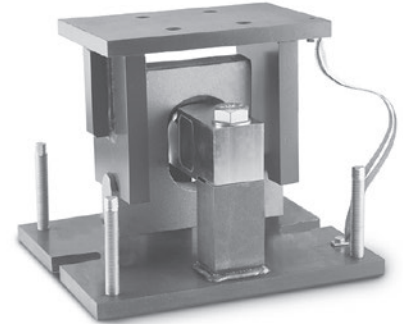


Free Sliding
Paramounts-D

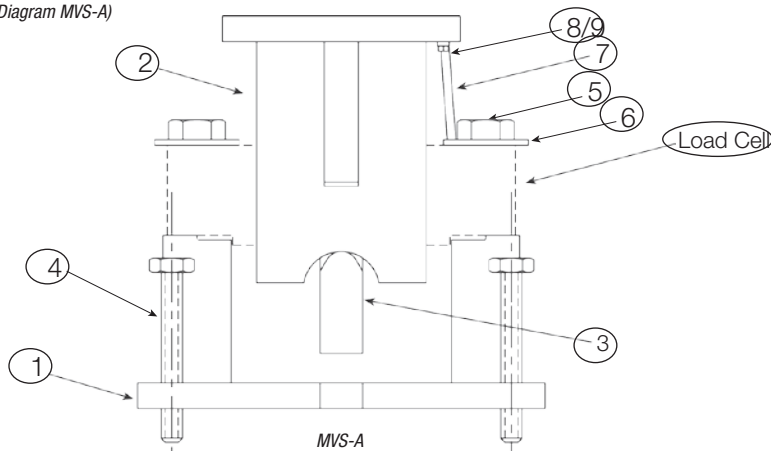
MVS Truck Scale Weigh Module

Part Number/Price

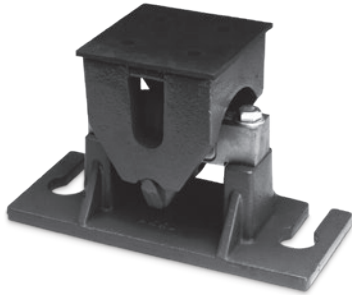
Ref #	Part#	Description	Price																																																																																												
Rated Capacity: 10,000 lb – 25,000 lb																																																																																															
1	71203	Base	Consult																																																																																												
2	71205	Upper chair	Consult																																																																																												
3	71373	Load link	Consult																																																																																												
4	44382	Leveling bolt	Consult																																																																																												
5	14772	Load cell bolt	Consult																																																																																												
6	15177	Plain washer	Consult																																																																																												
7	17778	Ground strap	Consult																																																																																												
8	14886	Machine screw (1/4 in x 28 in x 1/2 in)	Consult																																																																																												
9	15147	Lock washer	Consult																																																																																												
See current load cell guide for complete line of load cells																																																																																															
	41890	Load cell, RL75058 - 10,000 lb (Non-NTEP)	Consult																																																																																												
	34314	Load cell, RL75058 - 20,000 lb	Consult																																																																																												
	34315	Load cell, RL75058 - 25,000 lb	Consult																																																																																												
	49940	Installation manual	Consult																																																																																												
Rated Capacity: 50,000 lb – 75,000 lb																																																																																															
1	61148	Base	Consult																																																																																												
2	46440	Upper chair for SR Series Truck Scale (new style)	Consult																																																																																												
2	45683	Upper chair for EZ Series Truck Scale (old style)	Consult																																																																																												
3	50101	Load link	Consult																																																																																												
4	44382	Leveling bolt	Consult																																																																																												
5	37888	Load cell bolt	Consult </tr <tr> <td>6</td> <td>15184</td> <td>Plain washer</td> <td>Consult</td> </tr> <tr> <td>7</td> <td>17779</td> <td>Ground strap</td> <td>Consult</td> </tr> <tr> <td>8</td> <td>14886</td> <td>Machine screw (1/4 in x 28 in x 1/2 in)</td> <td>Consult</td> </tr> <tr> <td>9</td> <td>15147</td> <td>Lock washer</td> <td>Consult</td> </tr> <tr> <td colspan="4">See current load cell guide for complete line of load cells</td> </tr> <tr> <td></td> <td>34317</td> <td>Load cell, RL75058 - 50,000 lb</td> <td>Consult</td> </tr> <tr> <td></td> <td>34318</td> <td>Load cell, RL75058 - 60,000 lb</td> <td>Consult</td> </tr> <tr> <td></td> <td>34319</td> <td>Load cell, RL75058 - 75,000 lb</td> <td>Consult</td> </tr> <tr> <td></td> <td>39516</td> <td>Load cell, RL75058 - 75,000 lb with 60' of cable</td> <td>Consult</td> </tr> <tr> <td></td> <td>49940</td> <td>Installation manual</td> <td>Consult</td> </tr> <tr> <td colspan="4">Rated Capacity: 100,000 lb and 125,000 lb</td> </tr> <tr> <td>1</td> <td>68544</td> <td>Base</td> <td>Consult</td> </tr> <tr> <td>2</td> <td>68990</td> <td>Upper chair</td> <td>Consult</td> </tr> <tr> <td>3</td> <td>68549</td> <td>Load link</td> <td>Consult</td> </tr> <tr> <td>4</td> <td>44382</td> <td>Leveling bolt</td> <td>Consult</td> </tr> <tr> <td>5</td> <td>68656</td> <td>Load cell bolt</td> <td>Consult</td> </tr> <tr> <td>6</td> <td>68655</td> <td>Plain washer</td> <td>Consult</td> </tr> <tr> <td>7</td> <td>17780</td> <td>Ground strap</td> <td>Consult</td> </tr> <tr> <td>8</td> <td>14886</td> <td>Machine screw (1/4 in x 28 in x 1/2 in)</td> <td>Consult</td> </tr> <tr> <td>9</td> <td>15147</td> <td>Lock washer</td> <td>Consult</td> </tr> <tr> <td></td> <td>34320</td> <td>Load cell, RL75058 - 100,000 lb</td> <td>Consult</td> </tr> <tr> <td></td> <td>34321</td> <td>Load cell, RL75058 - 125,000 lb</td> <td>Consult</td> </tr> <tr> <td></td> <td>49940</td> <td>Installation manual</td> <td>Consult</td> </tr>	6	15184	Plain washer	Consult	7	17779	Ground strap	Consult	8	14886	Machine screw (1/4 in x 28 in x 1/2 in)	Consult	9	15147	Lock washer	Consult	See current load cell guide for complete line of load cells					34317	Load cell, RL75058 - 50,000 lb	Consult		34318	Load cell, RL75058 - 60,000 lb	Consult		34319	Load cell, RL75058 - 75,000 lb	Consult		39516	Load cell, RL75058 - 75,000 lb with 60' of cable	Consult		49940	Installation manual	Consult	Rated Capacity: 100,000 lb and 125,000 lb				1	68544	Base	Consult	2	68990	Upper chair	Consult	3	68549	Load link	Consult	4	44382	Leveling bolt	Consult	5	68656	Load cell bolt	Consult	6	68655	Plain washer	Consult	7	17780	Ground strap	Consult	8	14886	Machine screw (1/4 in x 28 in x 1/2 in)	Consult	9	15147	Lock washer	Consult		34320	Load cell, RL75058 - 100,000 lb	Consult		34321	Load cell, RL75058 - 125,000 lb	Consult		49940	Installation manual	Consult
6	15184	Plain washer	Consult																																																																																												
7	17779	Ground strap	Consult																																																																																												
8	14886	Machine screw (1/4 in x 28 in x 1/2 in)	Consult																																																																																												
9	15147	Lock washer	Consult																																																																																												
See current load cell guide for complete line of load cells																																																																																															
	34317	Load cell, RL75058 - 50,000 lb	Consult																																																																																												
	34318	Load cell, RL75058 - 60,000 lb	Consult																																																																																												
	34319	Load cell, RL75058 - 75,000 lb	Consult																																																																																												
	39516	Load cell, RL75058 - 75,000 lb with 60' of cable	Consult																																																																																												
	49940	Installation manual	Consult																																																																																												
Rated Capacity: 100,000 lb and 125,000 lb																																																																																															
1	68544	Base	Consult																																																																																												
2	68990	Upper chair	Consult																																																																																												
3	68549	Load link	Consult																																																																																												
4	44382	Leveling bolt	Consult																																																																																												
5	68656	Load cell bolt	Consult																																																																																												
6	68655	Plain washer	Consult																																																																																												
7	17780	Ground strap	Consult																																																																																												
8	14886	Machine screw (1/4 in x 28 in x 1/2 in)	Consult																																																																																												
9	15147	Lock washer	Consult																																																																																												
	34320	Load cell, RL75058 - 100,000 lb	Consult																																																																																												
	34321	Load cell, RL75058 - 125,000 lb	Consult																																																																																												
	49940	Installation manual	Consult																																																																																												



(See Diagram MVS-A)



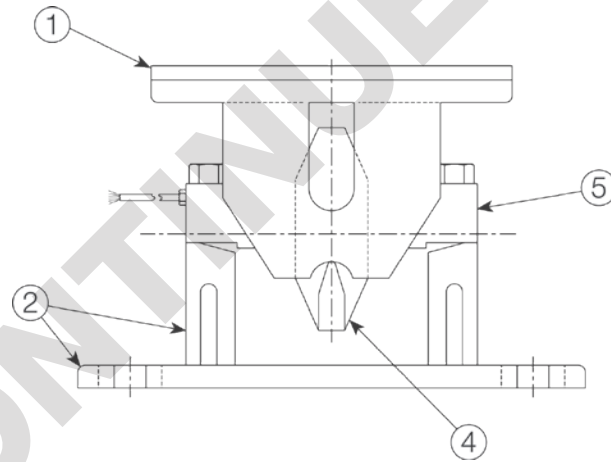
TSA Truck Scale Assembly



Part Number/Price

Ref#	Part#	Description	Price
Rated Capacity: 10,000 lb - 25,000 lb			
1	21705	Rubber pad	Consult
2	18471	Base stand	Consult
4	18473	Load link	Consult
5	17287	Load cell, Sensortronics 65058 - 10,000 lb	Consult
	41890	Load cell, RL75058 - 10,000 lb	Consult
	34314	Load cell, RL75058 - 20,000 lb	Consult
	34315	Load cell, RL75058 - 25,000 lb	Consult
Rated Capacity: 50,000 lb - 75,000 lb			
1	21706	Rubber pad	Consult
2	18472	Base stand	Consult
4	34317	Load cell, RL75058 - 50,000 lb	Consult
	34318	Load cell, RL75058 - 60,000 lb	Consult
	34319	Load cell, RL75e058 - 75,000 lb	Consult

(See Diagram TSA-A)



TSA-A

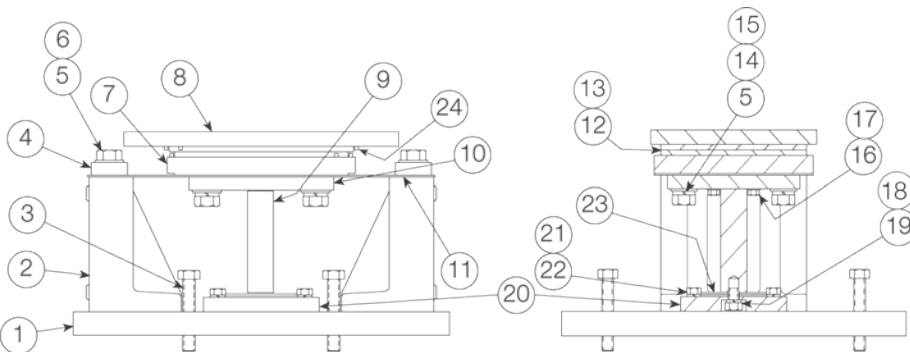
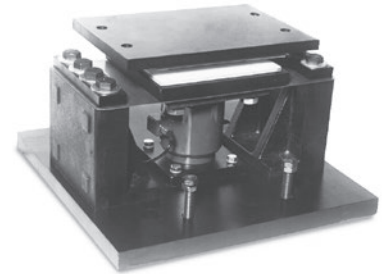
Truck and Railroad Truck Mount Assembly

Magnamount® Tank

Part Number/Price

Ref#	Part#	Description	Price
	25707	Installation manual	Consult
Rated Capacity: 50,000 lb			
1	22163	Base plate	Consult
2	22165	Stand	Consult
3	22281	Hex-head leveling screw	Consult
4	22155	Anchor block	Consult
5	15177	Washer, plain	Consult
6	22255	Bolt, hex-head, grade 5	Consult
7	22152	Bottom plate	Consult
8	22158	Retaining plate	Consult
9	22153	Dummy load cell	Consult
	17590	Load cell, RTI CP - 50,000 lb	Consult
	21650	Load cell, RTI CSP - 50,000 lb	Consult
	32701	Load cell, RLCSP1 - 50,000 lb	Consult
10	22161	Top mounting plate	Consult
11	22156	Flexure plate	Consult
12	22159	Fabreeka pad (top)	Consult
13	22160	Fabreeka pad (bottom)	Consult
14	15179	Lock washer	Consult
15	22256	Screw, hex-head, grade 5	Consult
18 & 21	15167	Lock washer	Consult
19	22257	Screw, hex-head, grade 5	Consult
20	22154	Load cell mounting plate	Consult
22	15059	Screw, hex-head, grade 8	Consult
23	22157	Shim	Consult
24	15263	Tension pin	Consult
Rated Capacity: 100,000 lb			
1	22339	Base plate	Consult
2	22341	Stand	Consult
3	22281	Hex-head leveling screw	Consult
4	22342	Anchor block	Consult
5 & 14	15179	Lock washer	Consult
6	22343	Bolt, hex-head, grade 5	Consult
7	22344	Bottom plate	Consult
8	22345	Retaining plate	Consult

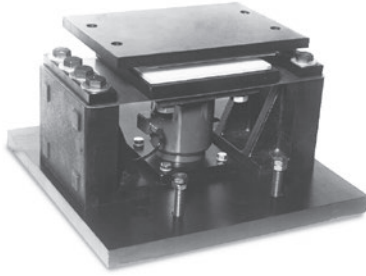
(See Diagram MagnaMount-A)



MagnaMount-A

Magnamount® Tank

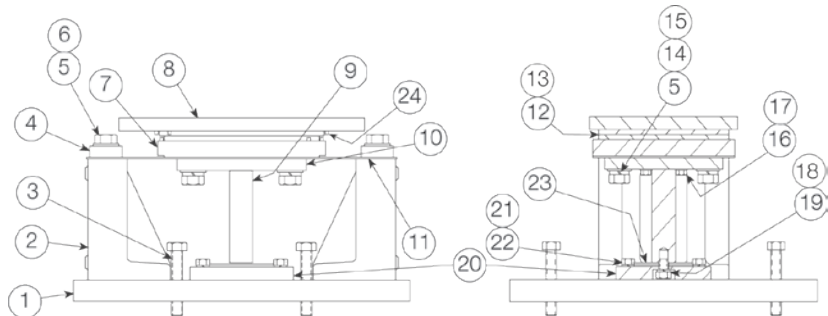
Truck and Railroad Truck Mount Assembly



Part Number/Price

Ref#	Part#	Description	Price
Rated Capacity: 100,000 lb			
9	22346	Dummy load cell	Consult
	17591	Load cell, RTI CP - 100,000 lb	Consult
	21651	Load cell, RTI CSP - 100,000 lb	Consult
	32700	Load cell, RL CSP1 - 100,000 lb	Consult
10	22347	Top mounting plate	Consult
11	22349	Flexure plate	Consult
12	22348	Fabreeka pad (top)	Consult
13	22350	Fabreeka pad (bottom)	Consult
15	22351	Screw, hex-head, grade 5	Consult
18	15181	Lock washer 3/4 in	Consult
19	15096	Screw, hex-head, grade 5	Consult
20	22352	Load cell mounting plate	Consult
21	22353	Lock washer	Consult
22	15091	Screw, hex-head, grade 8	Consult
23	18498	Shim	Consult
24	15263	Tension pin	Consult
Rated Capacity: 200,000 lb			
1	18483	Base plate	Consult
2	18488	Stand	Consult
3	102145	Leveling bolt	Consult
4	18489	Anchor block	Consult
5	15183	Washer, plain	Consult
6	14794	Bolt, hex-head, grade 5	Consult
7	18493	Bottom plate	Consult
8	18496	Retaining plate	Consult
9	18485	Dummy load cell	Consult
	17592	Load cell, RTI CP - 200,000 lb	Consult
	21652	Load cell, RTI CSP - 200,000 lb	Consult
	32699	Load cell, RLCSP1 - 200,000 lb	Consult
10	18486	Top mounting plate	Consult
11	18491	Flexure plate	Consult
12	18495	Fabreeka pad (top)	Consult
13	18494	Fabreeka pad (bottom)	Consult
14	15185	Lock washer	Consult
15	14793	Screw, hex-head, grade 5	Consult
16	15173	Washer, flat	Consult
17	22096	Screw, hex-head, grade 5	Consult
18	15181	Lock washer 3/4 in	Consult
19	15096	Screw, hex-head, grade 5	Consult
20	18484	Load cell mounting plate	Consult
21	22353	Lock washer	Consult
22	14771	Screw, hex-head, grade 2	Consult
23	18498	Shim	Consult
24	15263	Tension pin	Consult

(See Diagram MagnaMount-B)



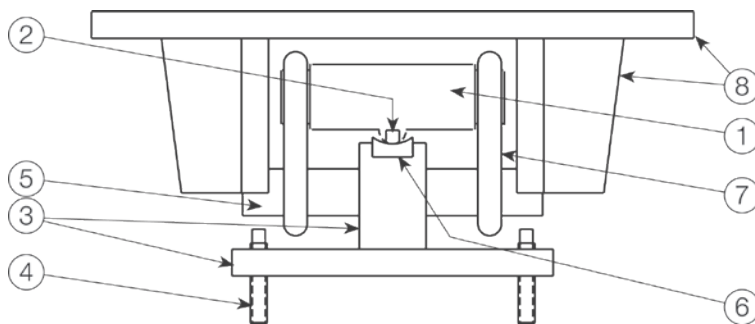
MagnaMount-B

Translink™ Parallel Link Truck Scale Assembly

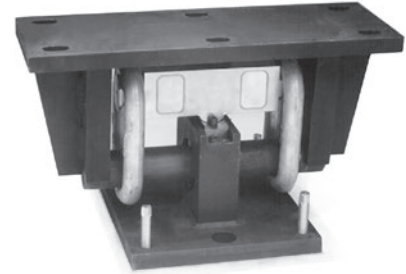
Part Number/Price

Ref#	Part#	Description	Price
	25708	Installation manual	Consult
Rated Capacity: 25,000 lb - 40,000 lb			
1	21614	Load cell, RL75040 - 25,000 lb	Consult
	21615	Load cell, RL75040 - 40,000 lb	Consult
2	15300	Tension pin	Consult
3	18455	Base plate	Consult
4	22281	Leveling bolt	Consult
5	18468	Pin, 1.75 in Diameter x 11 7/32 in steel	Consult
6	18453	Bearing pad, .75 in x 1.5 in x 4 in steel	Consult
7	17810	Link, weldless alloy steel	Consult
8	18467	Top-plate	Consult
Rated Capacity: 50,000 lb - 75,000 lb			
1	21616	Load cell, RL75040 - 50,000 lb	Consult
	21617	Load cell, RL75040 - 60,000 lb	Consult
	21618	Load cell, RL75040 - 75,000 lb	Consult
	21621	Load cell, RL75040 - 50,000 lb, 50' cable	Consult
	21622	Load cell, RL75040 - 60,000 lb, 50' cable	Consult
2	15300	Tension pin	Consult
3	18458	Base plate	Consult
4	22281	Leveling bolt	Consult
5	18469	Pin	Consult
6	18453	Bearing pad	Consult
7	65430	Link, weldless end	Consult
8	18466	Top-plate	Consult
Rated Capacity: 50,000 lb - 100,000 lb			
1	21616	Load cell, RL75040 - 50,000 lb	Consult
	21621	Load cell, RL75040 - 50,000 lb, 50' cable	Consult
	21611	Load cell, RL75223 - 50,000 lb	Consult
	21612	Load cell, RL75223 - 65,000 lb	Consult
	21613	Load cell, RL75223 - 100,000 lb	Consult
2	15302	Tension pin	Consult
3	18458	Base plate	Consult
4	22281	Leveling bolt	Consult
5	18470	Pin	Consult
6	18452	Bearing pad for RL75223 load cell	Consult
6	18453	Bearing pad for RL75040 load cell	Consult
7	65430	Link, weldless	Consult
8	18465	Top-plate	Consult

(See Diagram Translink-A)



Translink-A



Mettler Toledo™ Bridgmaster™ Truck Scale**Part Number/Price**

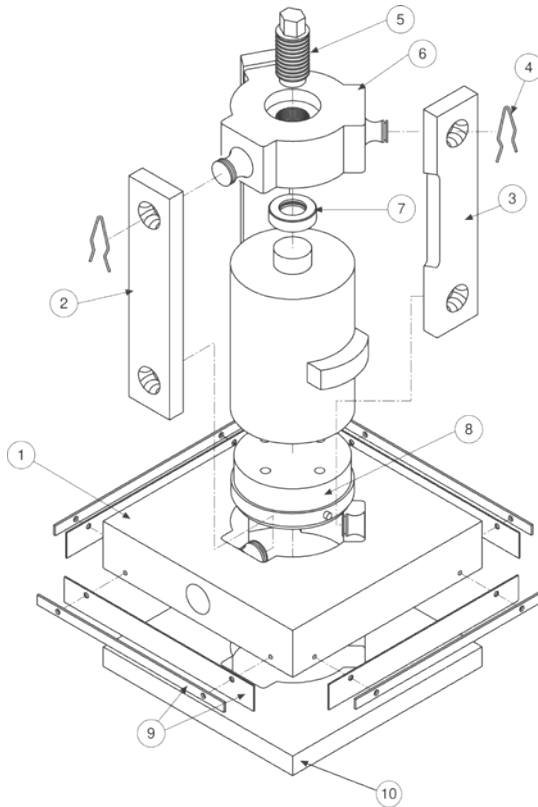
Ref#	Part#	Description	Synonym	Price
1	22277	Lower plate assembly link pins center	10015600A	Consult
1	33915	Lower plate assembly with pins off center		Consult
2	22272	Link, unnotched	10011500B	Consult
3	22273	Link, notched	10011500A	Consult
4	22251	Retaining clips	10011700A	Consult
5	22274	Center screw	10011300A	Consult
6	22276	Upper plate assembly	10010600A	Consult
7	22269	Adaptor ring with O-ring	10011400A	Consult
8	22268	Base plate and pin assembly	10011800A	Consult
9	22252	Skirt kit	10010400A	Consult
10	30302	Base plate		Consult

(See Diagram Toledo Bridgmaster-A)

Mettler Toledo Bridgemaster Model 7500

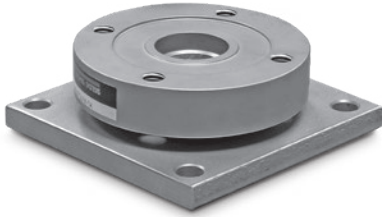
Part Number/Price

Part#	Description	Synonym	Price
F590	Upper bearing, 2 in-12 UNF-2B x 1 1/2 in	90191	Consult
F590-1	Upper bearing, 2 in-12 UNF-2A x 2 in	90191	Consult
F591	Load pin, 2 in hex x 5 9/16 in	90190	Consult



Toledo Bridgemaster-A

RL9000TWM Series



Part Number/Price

Ref#	Part#	Description	Price
Load Cell			
1	99997	1,000 lb	Consult
1	99998	2,500 lb	Consult
1	99999	5,000 lb	Consult
1	100000	10,000 lb	Consult
1	100001	15,000 lb	Consult
1	100002	20,000 lb	Consult
1	100003	25,000 lb	Consult
1	100004	35,000 lb	Consult
1	100005	50,000 lb	Consult
1	100006	60,000 lb	Consult
1	100007	75,000 lb	Consult
1	100008	100,000 lb	Consult
1	100009	150,000 lb	Consult
1	100010	200,000 lb	Consult
1	100074	250,000 lb	Consult
1	100075	300,000 lb	Consult
1	100076	400,000 lb	Consult
1	100078	450,000 lb	Consult
Center Bolt and O-Ring			
2	121257	1,000 lb to 15,000 lb	Consult
2	121258	20,000 lb to 50,000 lb	Consult
2	121259	60,000 lb to 100,000 lb	Consult
2	121260	150,000 lb to 200,000 lb	Consult
2	121261	250,000 lb to 450,000 lb	Consult
Washer			
3	121262	1,000 lb to 15,000 lb	Consult
3	121263	20,000 lb to 50,000 lb	Consult
3	121264	60,000 lb to 100,000 lb	Consult
3	121265	150,000 lb to 200,000 lb	Consult
3	121266	250,000 lb to 450,000 lb	Consult
Center Bolt Removal Tool			
	151637	20,000 lb to 50,000 lb	Consult
	151638	60,000 lb to 100,000 lb	Consult
	151639	150,000 lb to 200,000 lb	Consult
	161935	250,000 lb to 450,000 lb	Consult

15,000 lb bolt can be removed with 5/16 inch allen wrench
 Contact factory for base plate pricing

