

Replacement Parts

TABLE OF CONTENTS

MSI-3460 74	MSI-9300 122	MSI-6360 170
<i>Assembly (250 to 10,000lb)</i>	<i>Front Casting Assembly</i>	<i>Rear Battery Casting Assembly</i>
MSI-3460 76	MSI-9300 124	MSI-7300 Dyna-Link 172
<i>Assembly (15,000lb)</i>	<i>Series Bulkhead Assembly</i>	<i>Standard Assembly</i>
MSI-3460 78	MSI-9300 126	Dyna-Clamp 174
<i>Battery Charger Assembly</i>	<i>Mid-section Assembly 500 - 10,000lb (S-beam Load Cell)</i>	<i>Display Assembly</i>
MSI-4260B 80	MSI-9300 128	Dyna-Clamp 176
<i>Front Casting Assembly</i>	<i>Mid-section Assembly 20,000lb and 30,000lb</i>	<i>Rod Assembly</i>
MSI-4260B 82	MSI-9300 130	Dyna-Clamp 178
<i>Mid-Section Assembly (S-Beam Load Cell) (500 to 10,000lb)</i>	<i>Mid-section Assembly 50,000lb and 70,000lb</i>	<i>Front and Back Assembly</i>
MSI-4260B 84	MSI-9300 132	MSI-8000 180
<i>Mid-Section Assembly (20,000 to 30,000lb)</i>	<i>Battery Casting Assembly</i>	<i>Remote Display</i>
MSI-4260B 86	MSI-9300 134	MSI-8000HD 182
<i>Mid-Section Assembly (50,000 to 70,000lb)</i>	<i>Universal Battery Charger</i>	<i>Final Assembly Remote Display</i>
MSI-4260B 88	MSI-9600HT 136	MSI-8004HD 184
<i>Battery Casting Assembly</i>	<i>Front Casting Assembly</i>	<i>Indicator AC</i>
MSI-4260B 90	MSI-9600HT 138	MSI-8004HD 186
<i>Bulkhead Assembly</i>	<i>Bulkhead Assembly</i>	<i>Optional Kit Tilt Stand</i>
MSI-4260C 92	MSI-9600HT 140	MSI-7000HD 188
<i>Front Casting Assembly</i>	<i>Mid-section Assembly 10,000lb</i>	<i>4CH 85-265VAC</i>
MSI-4260C 94	MSI-9600HT 142	MSI-7001HD 190
<i>Mid-Section Assembly (S-Beam Load Cell) (500 to 10,000lb)</i>	<i>Mid-section Assembly 30,000lb</i>	<i>2CH 85-265VAC</i>
MSI-4260C 96	MSI-9600HT 144	MSI-9750A 192
<i>Mid-Section Assembly (20,000 to 30,000lb)</i>	<i>Mid-section Assembly 70,000lb</i>	<i>Front Assembly</i>
MSI-4260C 98	MSI-9600HT 146	MSI-9750A 194
<i>Mid-Section Assembly (50,000 to 70,000lb)</i>	<i>Back Assembly</i>	<i>Back Assembly</i>
MSI-4260C 100	MSI-6260CS 148	MSI-9850 196
<i>Battery Casting Assembly</i>	<i>Front Casting Assembly</i>	<i>Meter Assembly</i>
MSI-4260C 102	MSI-6260CS 150	MSI-9850 198
<i>Bulkhead Assembly</i>	<i>Midsection Assembly (500 - 10,000lb) (S-Beam Load Cells)</i>	<i>Power Assembly</i>
MSI-4260M Industrial 104	MSI-6260CS 152	MSI-9020 CellScale 200
<i>Front Casting Assembly</i>	<i>Midsection Assembly (20 & 30,000lb)</i>	MSI-9000 CellScale 202
MSI-4260M Industrial 106	MSI-6260CS 154	MSI-9002 CellScale 204
<i>Mid-Section Assembly (500 to 10,000lb)</i>	<i>Midsection Assembly (50 & 70,000lb)</i>	<i>Breakout / Summing Box</i>
MSI-4260M Industrial 108	MSI-6260CS 156	
<i>Mid-Section Assembly (20,000 to 30,000lb)</i>	<i>Battery Casting Assembly</i>	
MSI-4260M Industrial 110	MSI-6260CS 158	
<i>Mid-Section Assembly (50,000 to 70,000lb)</i>	<i>Universal Battery Charger Assembly</i>	
MSI-4260M Industrial 112	MSI-6360 160	
<i>Battery Casting Assembly</i>	<i>Front Casting Assembly</i>	
MSI-4260M Industrial 114	MSI-6360 162	
<i>Bulkhead Assembly</i>	<i>Bulkhead Assembly</i>	
MSI-4260M Marine 116	MSI-6360 164	
<i>Front Assembly</i>	<i>Midsection Assembly (500 - 10,000lb)</i>	
MSI-4260M Marine 118	MSI-6360 166	
<i>Battery Casting Assembly</i>	<i>Midsection Assembly (20 & 30,000lb)</i>	
MSI-4260M Marine 120	MSI-6360 168	
<i>Midsection Assembly</i>	<i>Midsection Assembly (50 & 70,000lb)</i>	

The following product names, logos, brands and other trademarks featured or referred to within this publication are the property of their respective trademark holders.

MSI-3460

Assembly (250 to 10,000 lb)



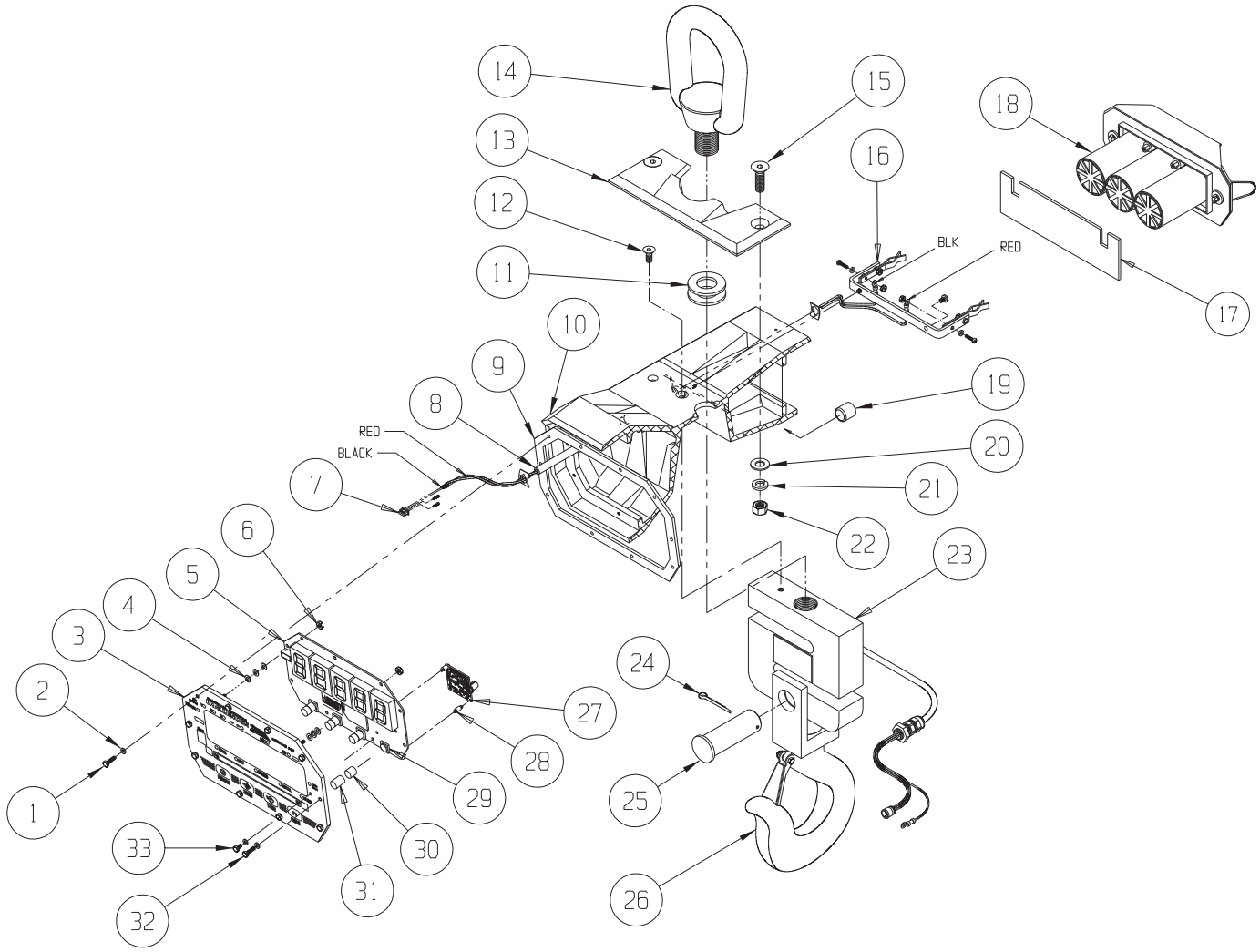
Part Number/Price

Item #	Part #	Description	Price
1	142276	Screw, hex head, 6-32 × 5/8, stainless steel	\$4.20
2	144645	Washer, rubber #6	\$3.15
3	149298	Front panel assembly	\$170.00
4	141899	Washer, flat, #6	\$2.10
5	149279	PCB display	\$285.00
6	128445	Nut, hex, 6-32, stainless steel	\$1.00
7	144178	Connector, power to PCB	\$2.10
8	148347	Tube, power cable	\$24.00
9	150056	Gasket, front panel	\$6.25
10	150398	Casting	\$465.00
11	148177	Washer, foam	\$3.15
12	146120	Screw, flat head, 1/4-20 × 5/8, stainless steel	\$2.10
13	148052	Plate, keeper, 250 to 2,000 lb	\$37.50
13	148050	Plate, keeper, 5,000 to 10,000 lb	\$37.50
14	142030	Eye, lifting, 250 to 2,000 lb	\$68.00
14	135441	Eye, lifting, 5,000 to 10,000 lb	\$150.00
15	146121	Screw, flat head, 3/8-16 × 1-1/4, allen, stainless steel	\$2.25
16	139821	Bracket assembly, battery clip	\$80.00
17	149750	Pad, battery	\$4.40
18	140049	Battery assembly	\$155.00
19	145927	Cap, receptacle	\$2.10
20	146533	Washer, flat, 3/8, stainless steel	\$1.00
21	15160	Washer, split lock, 3/8, stainless steel	\$1.10
22	126992	Nut, hex, 3/8-16, stainless steel	\$2.10
23	139081	Load cell assembly, 250/500 lb	\$1,090.00
23	139081	Load cell assembly, 1,000/2,000 lb	\$1,090.00
23	139082	Load cell assembly, 5,000/10,000 lb	\$965.00
24	145944	Pin, cotter, (fits 11205 clevis pin)	\$2.00
24	15258	Pin, cotter, (fits 11206 clevis pin)	\$3.30
25	142594	Pin, clevis (fits C00524-0009 hook)	\$4.40
25	142595	Pin, clevis (fits C00524-0010 hook)	\$19.00
26	140079	Hook/clevis assembly, 250 to 2,000 lb	\$345.00
	143232	Latch, safety (fits C00524-0009)	\$19.00
26	140080	Hook/clevis assembly, 5,000 to 10,000 lb	\$795.00
	143233	Latch, safety (fits C00524-0010)	\$42.00
27	153429	PCA, with turch insert	\$280.00
28	144929	Spacer, dual locking	\$6.00
29	143816	Switch	Consult
30	144643	Cap, switch .364, orange	\$2.10
31	144644	Cap, switch .236	\$2.10
32	142573	Screw, hex head, 6-32 × 5/8, stainless steel , drilled	\$4.20
33	142574	Screw, hex head, 6-32 × 1/4, stainless steel	\$4.20

REPLACEMENT PARTS

MSI-3460

Assembly (250 to 10,000 lb)



REPLACEMENT PARTS

MSI-3460

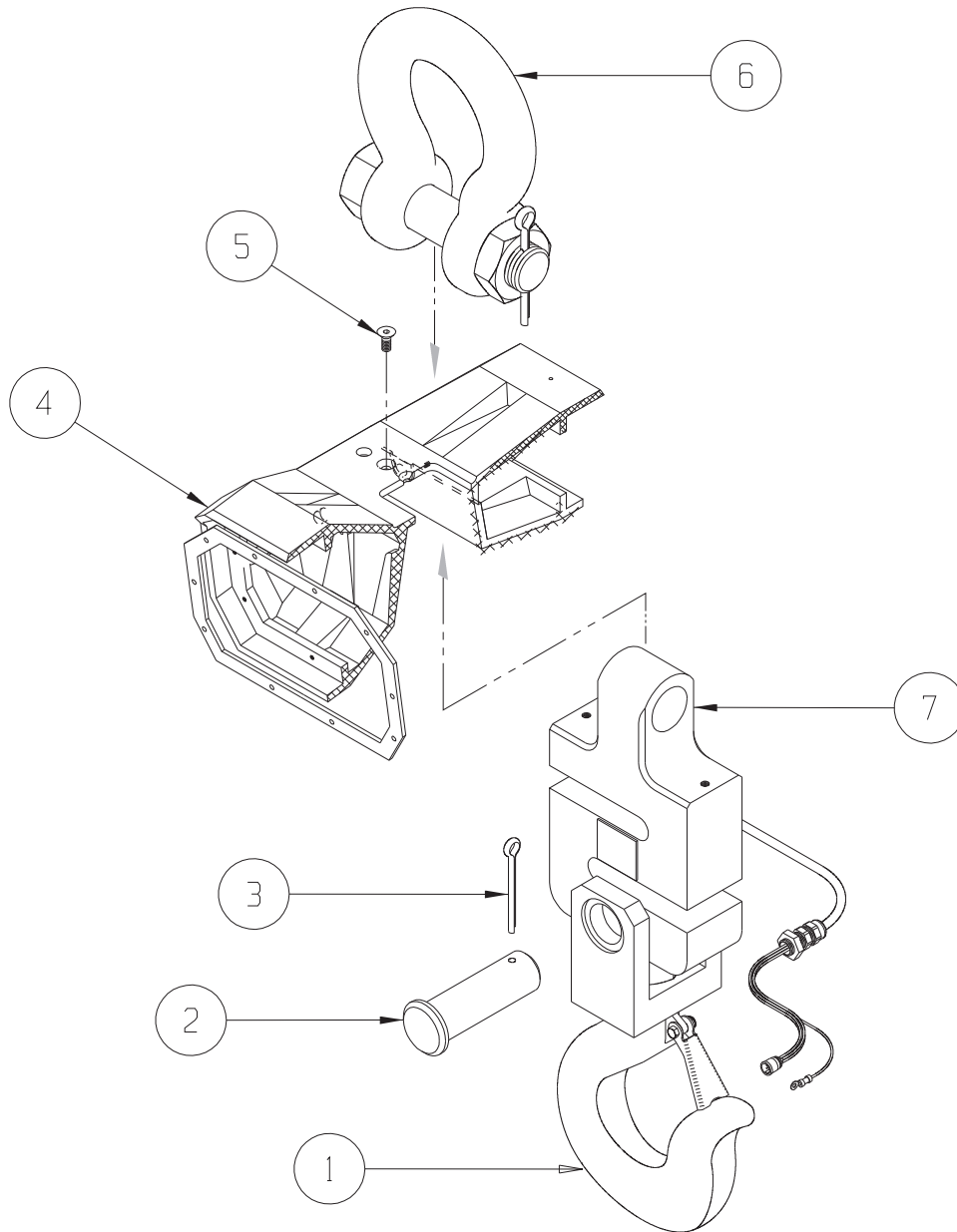
Assembly (15,000 lb)



Part Number/Price

Item #	Part #	Description	Price
1	135966	Swivel hook clevis assembly	\$1,580.00
2	142836	Pin clevis, 1.25 diameter x 4, steel plated	\$68.00
3	142186	Pin, cotter, 3/16 x 2	\$2.10
4	136084	Casting	\$550.00
5	146120	Screw, 1/4-20 x 5/8, allen, stainless steel	\$2.10
6	146331	Shackle 12 ton	\$310.00
7	139083	Load cell assembly, 15,000 lb/ 7,000 kg	\$1,820.00

REPLACEMENT PARTS



REPLACEMENT PARTS

MSI-3460

Battery Charger Assembly



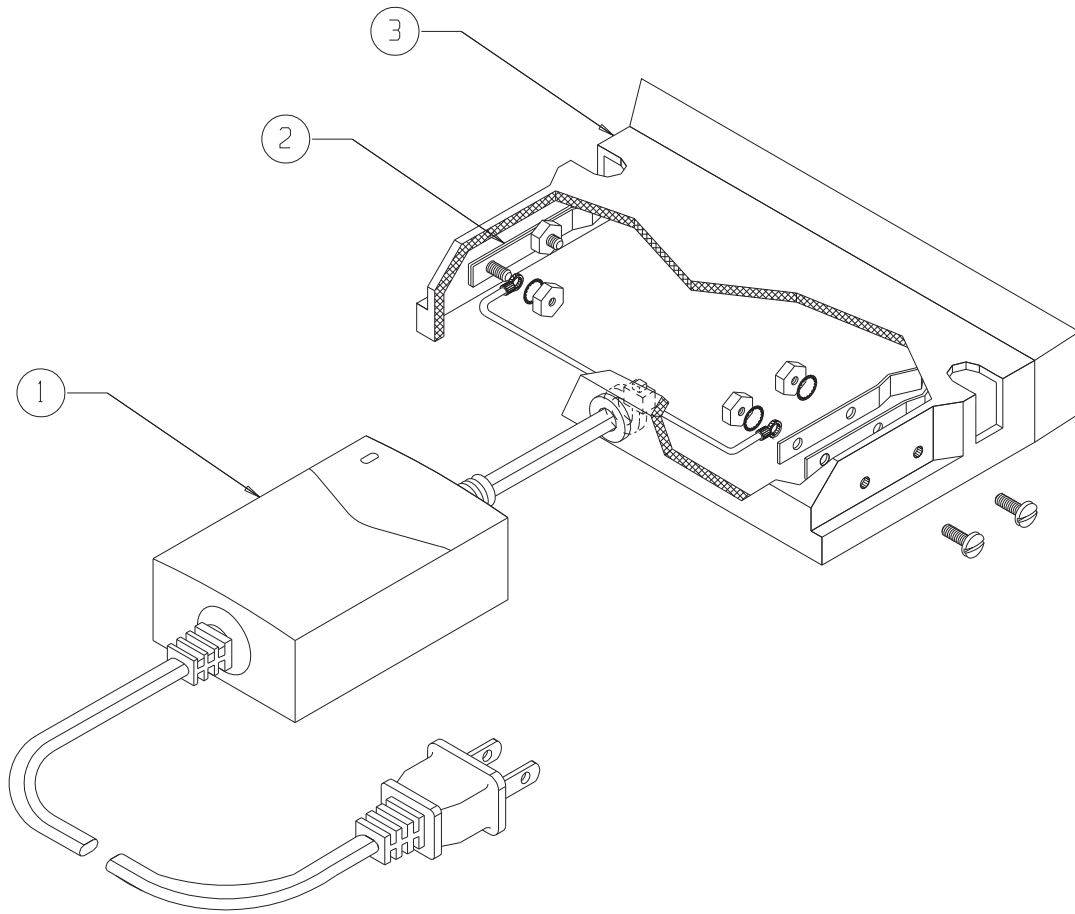
Part Number/Price

Item #	Part #	Description	Price
1	162172	Charger, 6V universal input	\$70.00
2	150038	Clip, battery terminal	\$7.35
3	150055	Enclosure	\$38.00
	139152	Battery charger assembly, US plug	\$200.00
	139153	Battery charger assembly, European plug	\$200.00
	139154	Battery charger assembly, no plug	\$190.00

REPLACEMENT PARTS

MSI-3460

Battery Charger Assembly



REPLACEMENT PARTS

MSI-4260B

Front Casting Assembly



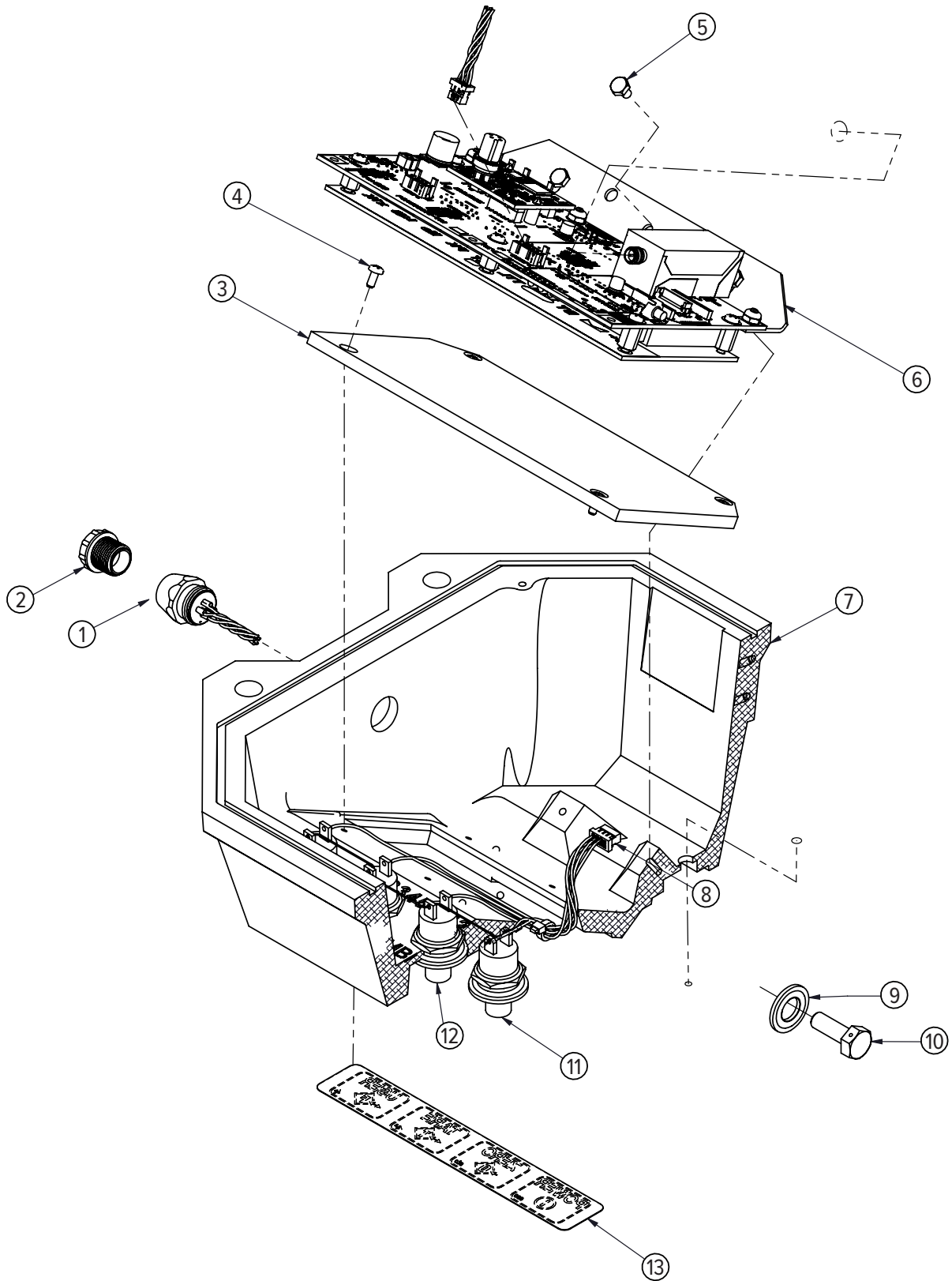
Part Number/Price

Item #	Part #	Description	Price
1	139449	Cable assembly comm serial data RS-232	\$56.00
2	143352	Conn closure cap IP68 male	\$3.25
3	149488	Window LED	\$59.00
4	128088	Screw 4-40 x 1/4 pan head Phillips drive 18-8 stainless steel	\$1.00
5	142197	Screw, pan head 6-32 x 5/16 long Phillips drive stainless steel with locking patch material applied	\$2.25
6	139427	Assembly electronics 5-digit	\$1,250.00
7	149481	Front casting and machining	\$405.00
8	139448	Cable assembly switch harness	\$22.00
9	142472	Washer seal Stat-O-Seal® 1/4 in	\$4.50
10	153203	Screw hex 1/4-20 x 0.375 UNC drilled head stainless steel	\$11.00
11	147562	Switch P3-31111W watertight red	\$48.00
12	147563	Switch P3-31112W watertight black	\$46.00
13	149506	Label switch	\$14.00
14	153429	PCA ScaleCore3 1-channel w/turck insert	\$280.00

REPLACEMENT PARTS

MSI-4260B

Front Casting Assembly



REPLACEMENT PARTS

MSI-4260B

Mid-Section Assembly (S-Beam Load Cell) (500 to 10,000 lb)



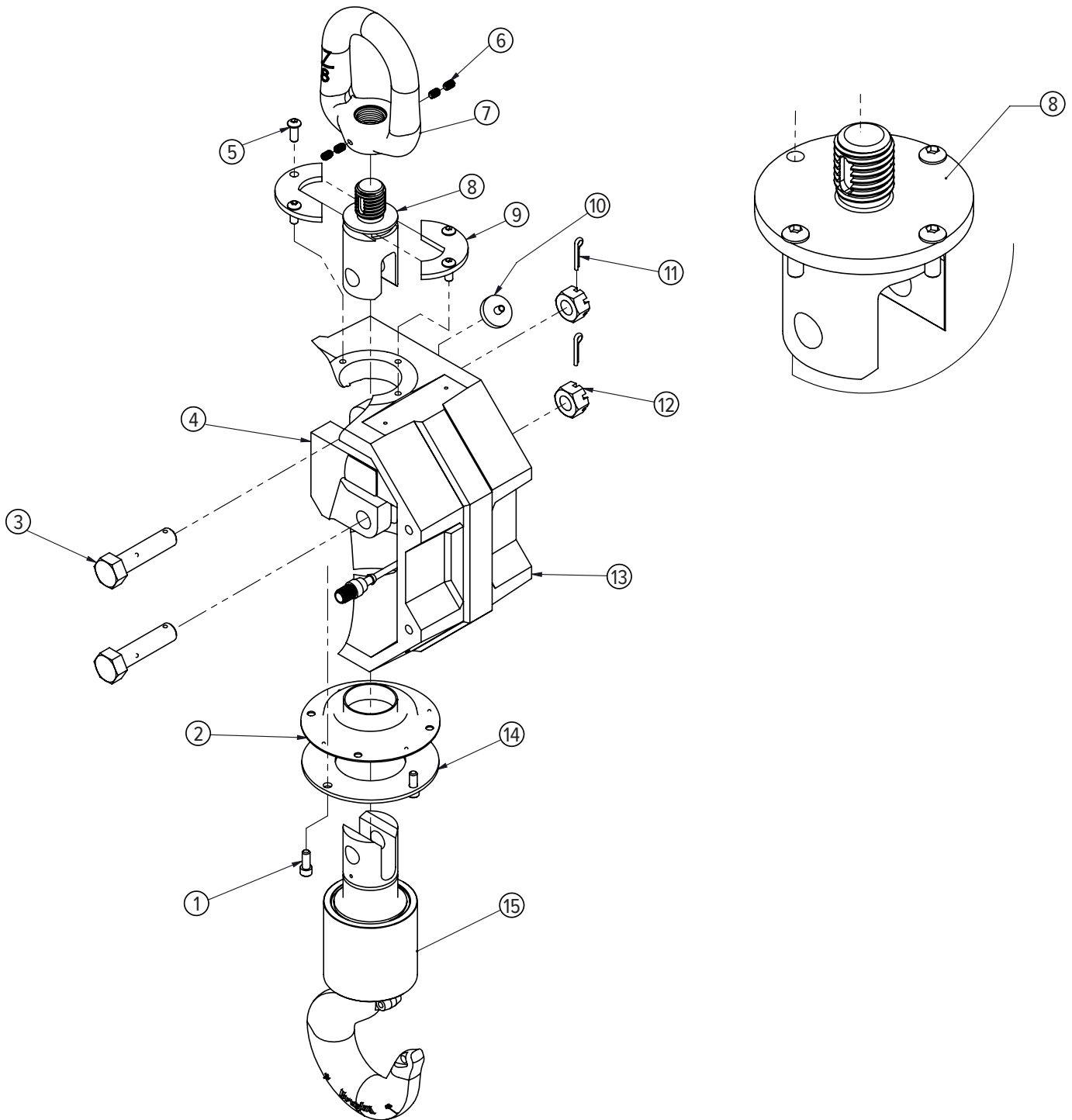
Part Number/Price

Item #	Part #	Description	Price
1	145990	Screw socket head 1/4-20 x 5/8 stainless steel	\$2.10
2	149710	Seal link lower	\$49.00
	149165	Seal lower link	\$59.00
3	148457	Bolt clevis hex head 5/8 x 1.75 grip with thread protectors	\$26.00
	149217	Bolt clevis hex head 5/8 x 2.75 grip with thread protectors	\$34.00
4	138661	Load cell assembly 500 lb s-beam	\$1,270.00
	138662	Load cell assembly 1K/2K s-beam	\$1,270.00
	138663	Load cell assembly 5K s-beam	\$1,650.00
	138664	Load cell assembly 10K s-beam	\$1,780.00
5	72031	Screw, cap 1/4-20NC x 5/8 hex socket button head stainless steel	\$1.25
6	128799	Screw, set 1/4-20 x 3/8 socket head cup point 18-8 stainless steel	\$1.00
7	139795	Eye nut #7 500# - 2K	\$210.00
	148225	Eye nut 5/10K	\$280.00
8	148271	Upper link 500#/10K	\$255.00
	149126	Upper link s-beam 5/10K	\$435.00
9	148274	Collar top half 500#/10K	\$40.00
10	146347	Adhesive loctite 242-21 blue	Consult
11	15238	Pin, cotter 1/8 x 1 extended prong stainless steel	\$1.25
12	142832	Nut hex slotted 5/8 - 11	\$2.10
13	150519	Mid-section machined 500-10K w/o o-ring	\$585.00
14	148259	Collar 500#/10K	\$49.00
15	135043	Swivel hook assembly 500#/2K	\$1,700.00
	143236	Safety latches for 500#/2K	\$26.00
	134523	Swivel hook assembly 5/10K s-beam	\$1,380.00
	143233	Safety latches for 5/10K	\$42.00

REPLACEMENT PARTS

MSI-4260B

Mid-Section Assembly (S-Beam Load Cell) (500 to 10,000 lb)



REPLACEMENT PARTS

MSI-4260B

Mid-Section Assembly (20,000 to 30,000 lb)



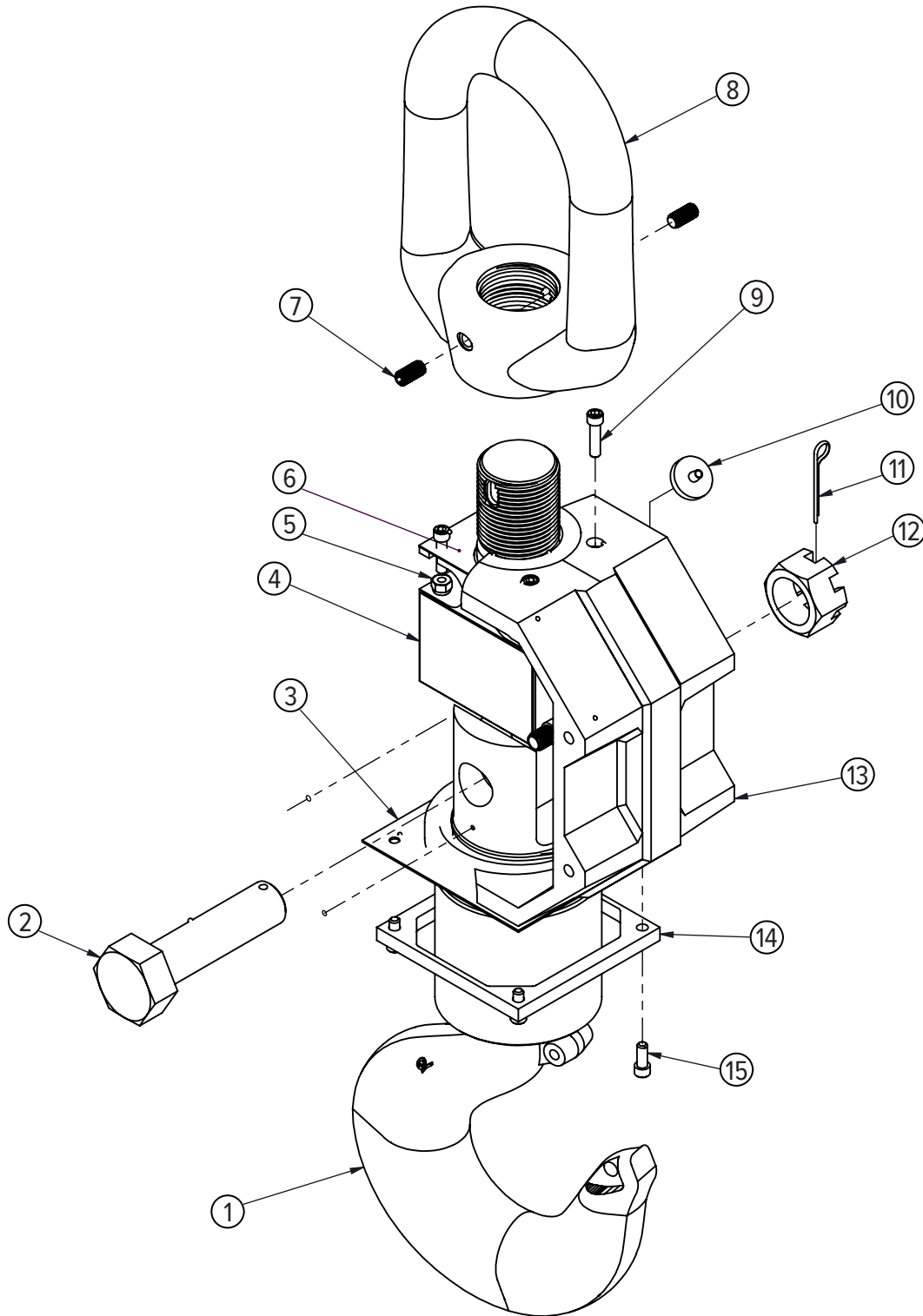
Part Number/Price

Item #	Part #	Description	Price
1	134938	Swivel hook assembly 20K	\$2,790.00
	110661	Safety latch 20K	\$44.00
	134939	Swivel hook assembly 30K	\$3,620.00
	143235	Safety latch 30K	\$115.00
2	148458	Bolt clevis hex head 1.125-4 x 4.2 grip with thread protectors	\$86.00
3	149957	Boot lower 20 to 70K	\$86.00
4	137763	Load cell assembly 20/30K standard	\$2,240.00
5	146631	Nut hex 1/4-20 nyloc stainless steel	\$2.10
6	149976	Gasket upper 20/30K Port-A-Weigh gasket	\$5.25
7	146081	Screw set 3/8-24 x 3/4 cup point stainless steel	\$2.10
8	148110	Eye nut 20/30K galvanized	\$635.00
9	81405	Screw, socket head 1/4-20 UNCx1 18-8 stainless steel	\$1.25
10	146322	Filter millipore	\$9.50
11	142186	Cotter pin 3/16 x 2 stainless steel	\$2.10
12	142833	Nut hex slotted 1.125 - 7 zinc plated	\$11.50
13	150523	Mid-section machined 20/30K	\$485.00
14	149958	Collar bottom 20 to 50K	\$140.00
15	145990	Screw socket head 1/4-20 x 5/8 stainless steel	\$2.10

REPLACEMENT PARTS

MSI-4260B

Mid-Section Assembly (20,000 to 30,000 lb)



REPLACEMENT PARTS

MSI-4260B

Mid-Section Assembly (50,000 to 70,000 lb)



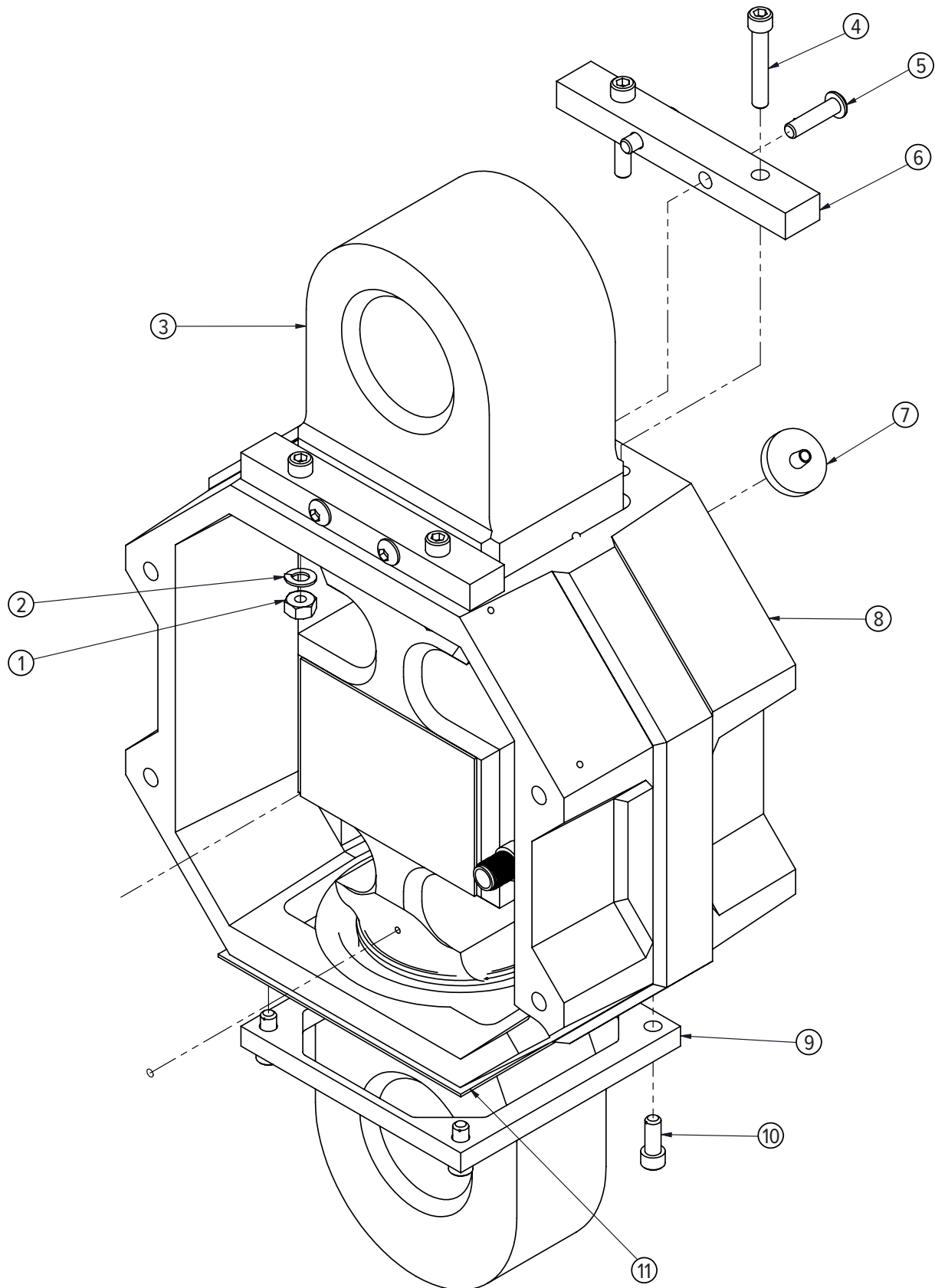
Part Number/Price

Item #	Part #	Description	Price
1	14642	Nut, 1/4-20NC hex stainless steel	\$1.75
2	15148	Washer, lock 1/4 regular	\$1.25
3	137764	Load cell assembly 50/70K standard	\$5,330.00
4	117599	Screw, cap 1/4-20NC x 1-1/2 hex socket head 18-8 stainless steel	\$1.75
5	145982	Screw button head 1/4-20 x 1 stainless steel socket head	\$2.10
6	148213	Collar top 50/100K	\$97.00
7	146322	Filter millipore	\$9.50
8	150525	Mid-section machined 50/100K	\$515.00
9	149958	Collar bottom 20 to 50K	\$140.00
10	145990	Screw socket head 1/4-20 x 5/8 stainless steel	\$2.10
11	149957	Boot lower 20 to 70K	\$86.00
Not Shown			
	151356	Shackle, 25T, 50,000 lb	Consult
	146335	Shackle, 40T, 70,000 lb	Consult
	135035	Hook, swivel, 50,000 lb	\$8,390.00
	142179	Latch, safety (fits 135035 hook)	\$160.00
	135036	Hook, swivel, 70,000 lb	\$11,750.00
	142180	Latch, safety (fits 135036 hook)	\$210.00

REPLACEMENT PARTS

MSI-4260B

Mid-Section Assembly (50,000 to 70,000 lb)



REPLACEMENT PARTS

MSI-4260B

Battery Casting Assembly



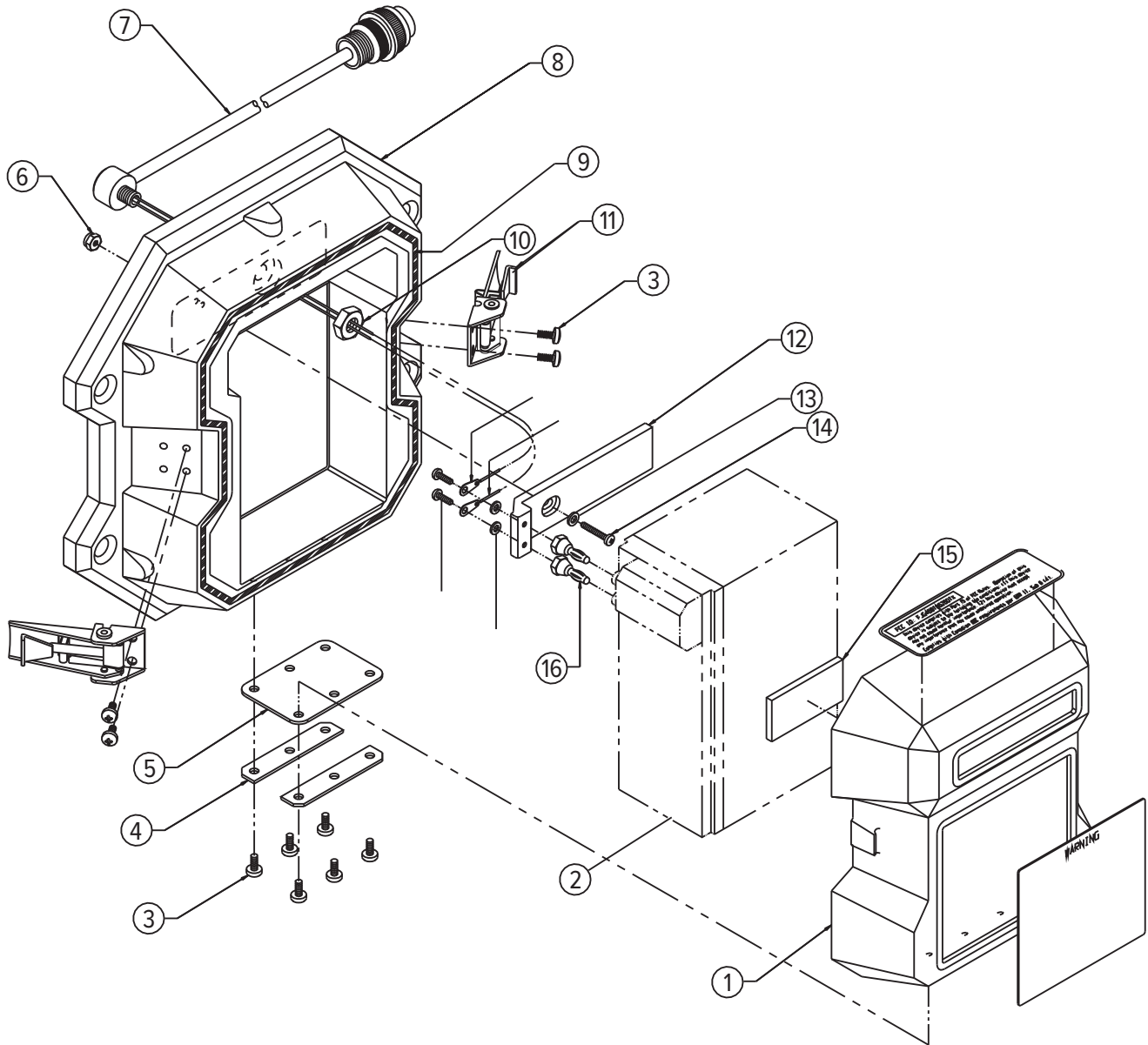
Part Number/Price

Item #	Part #	Description	Price
1	150516	Battery door machined	\$97.00
2	150367	Battery	\$145.00
3	146107	Screw pan head 8-32 x 5/16 type f stainless steel Phillips	\$2.10
4	149718	Plate aluminum battery door	\$14.00
5	149719	Fastener battery door rubber	\$11.00
6	146627	Nut hex 6-32 nyloc stainless steel	\$1.00
7	133798	Cable assembly power molded feed through	\$150.00
8	150517	Battery well machined with o-ring	\$330.00
9	149723	O-ring assembly battery well casting	\$14.00
10	146661	Nut hex 5/16-18 jam stainless steel	\$2.25
11	145934	Latch camloc	\$40.00
12	150073	Conn block	\$26.00
13	55124	Washer, flat #6 cres	\$1.00
14	127036	Screw, machine 6-32 x 3/4 Phillips pan head 18-8 stainless steel	\$3.00
15	146640	Pad poron 2.0 x 1.0	\$3.25
16	147825	Plug banana jack	\$12.00

REPLACEMENT PARTS

MSI-4260B

Battery Casting Assembly



REPLACEMENT PARTS

MSI-4260B

Bulkhead Assembly



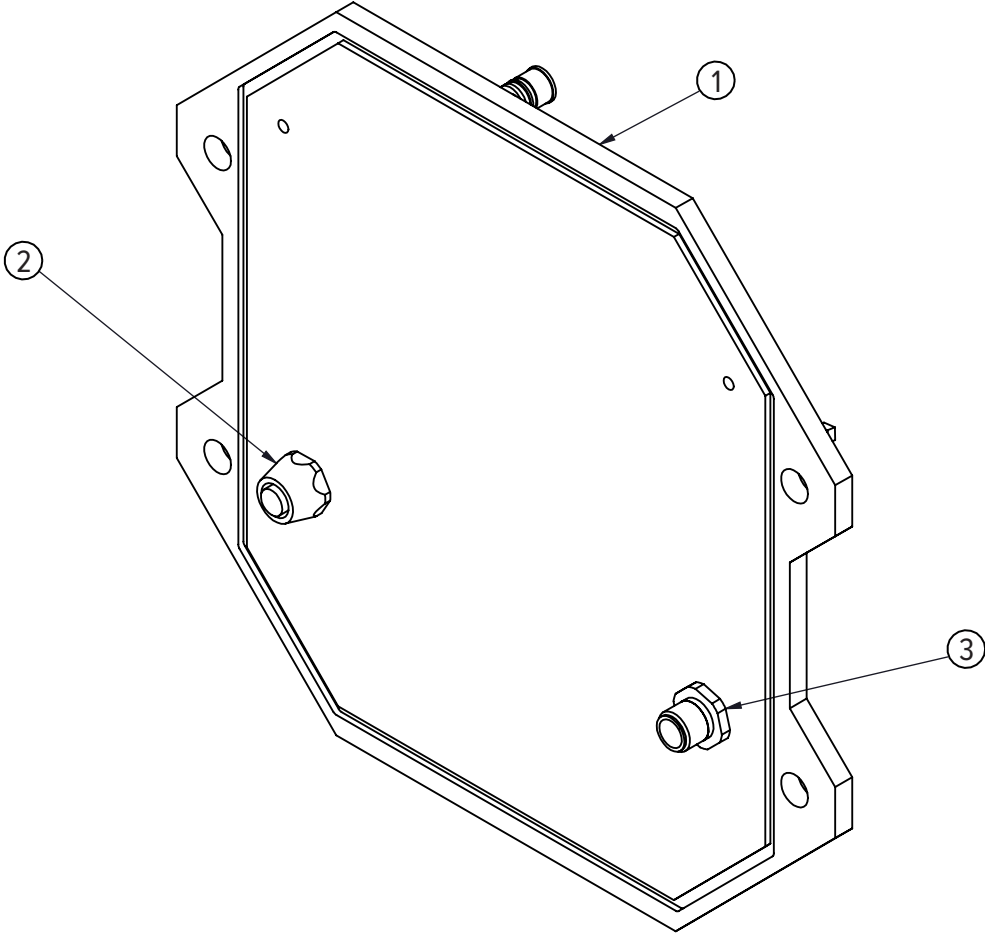
Part Number/Price

Item #	Part #	Description	Price
1	149469	Bulkhead	\$155.00
2	139471	Cable assembly bulkhead load cell 12.0 in	\$66.00
3	139472	Cable assembly bulkhead power 12.0 in	\$49.00

REPLACEMENT PARTS

MSI-4260B

Bulkhead Assembly



REPLACEMENT PARTS

MSI-4260C

Front Casting Assembly



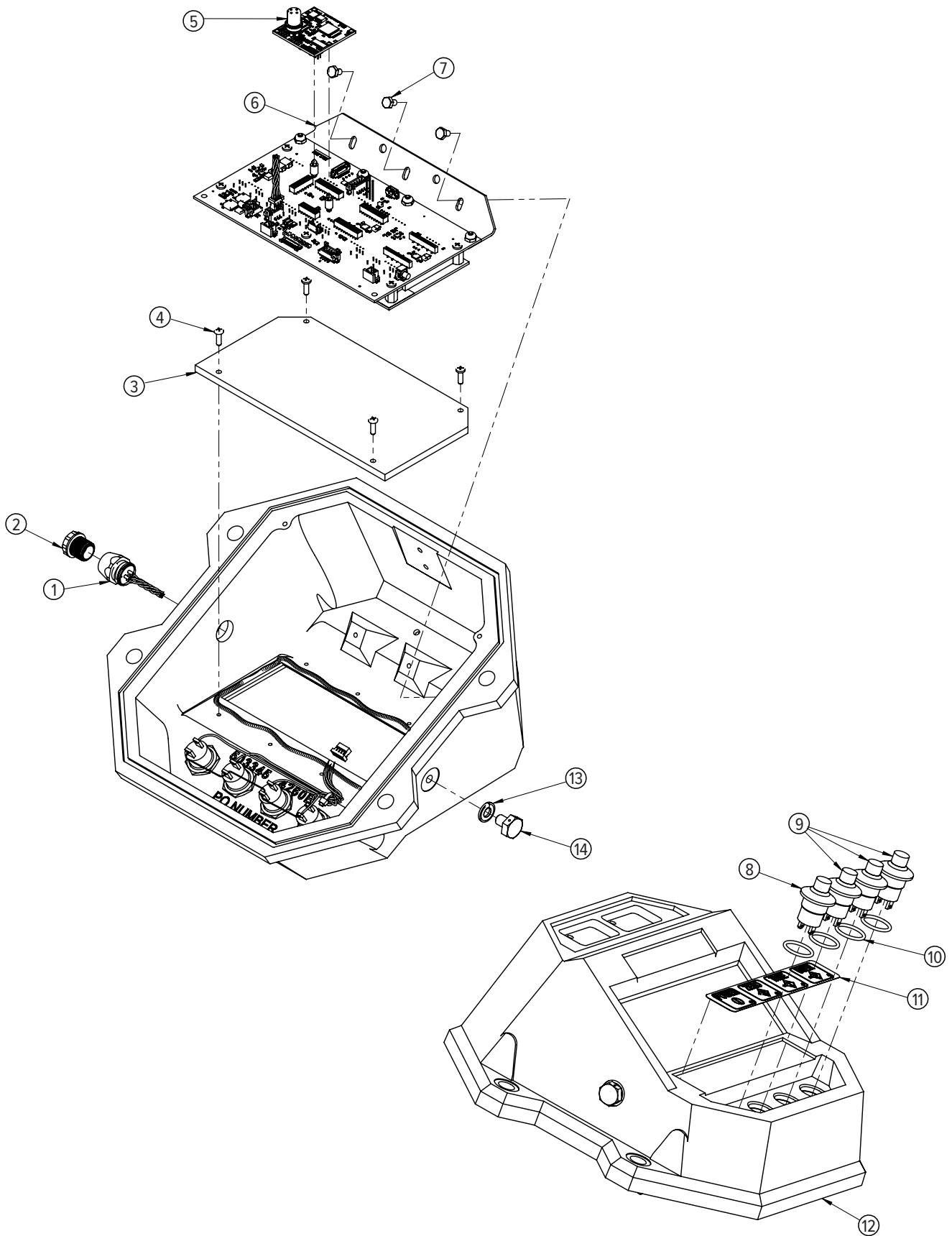
Part Number/Price

Item #	Part #	Description	Price
1	139449	Cable assembly comm serial data RS-232	\$56.00
2	143352	Conn closure cap IP68 male	\$3.25
3	200270	Window LED	\$61.00
4	128140	Screw, machine 4-40 x 3/8 Phillips pan head 18-8 stainless steel	\$1.00
5	153429	PCA ScaleCore3 1-channel	\$280.00
6	199849	Display assembly	\$475.00
7	146022	Bolt HH 6-32 x 1/4 cap stainless steel	\$3.50
8	147562	Switch P3-31111W watertight red	\$48.00
9	147563	Switch P3-31112W watertight black	\$46.00
10	146251	O-ring 70 durometer	\$2.10
11	149506	Label switch	\$14.00
12	149481	Front casting and machining	\$405.00
13	142472	Washer seal Stat-O-Seal® 1/4 in	\$4.50
14	142209	Screw seal hex stainless steel 1/4-20	\$14.00

REPLACEMENT PARTS

MSI-4260C

Front Casting Assembly



REPLACEMENT PARTS

MSI-4260C

Mid-Section Assembly (S-Beam Load Cell) (500 to 10,000 lb)



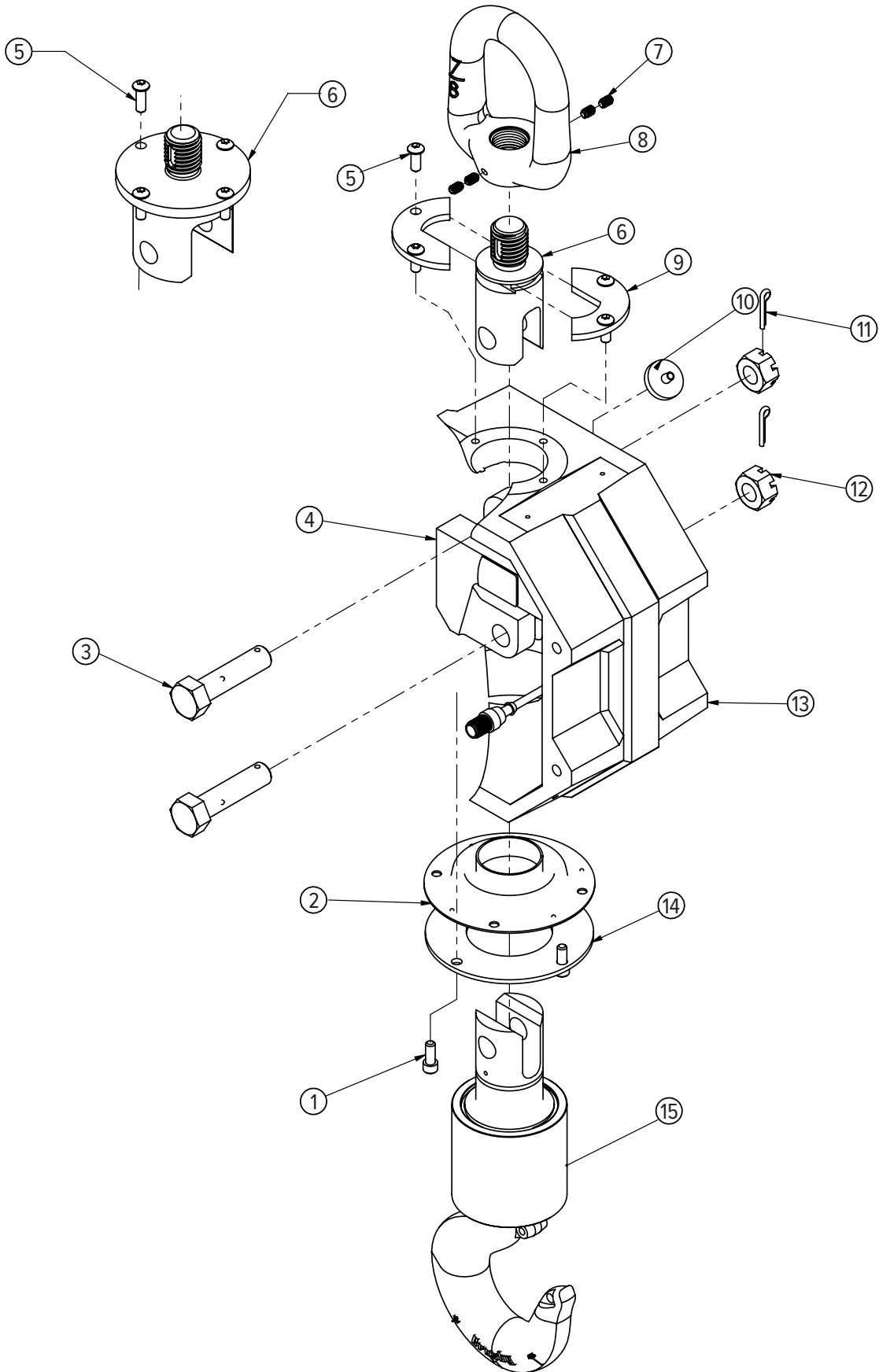
Part Number/Price

Item #	Part #	Description	Price
1	145990	Screw socket head 1/4-20 x 5/8 stainless steel	\$2.10
2	149710	Seal link lower	\$49.00
3	148457	Bolt clevis hex head 5/8 x 1.75 grip with thread protectors	\$26.00
	149217	Bolt clevis hex head 5/8 x 2.75 grip with thread protectors	\$34.00
4	138661	Load cell assembly 500 lb s-beam	\$1,270.00
	138662	Load cell assembly 1K/2K s-beam	\$1,270.00
	138663	Load cell assembly 5K s-beam	\$1,650.00
	138664	Load cell assembly 10K s-beam	\$1,780.00
5	72031	Screw, cap 1/4-20NC x 5/8 hex socket button head stainless steel	\$1.25
6	148271	Upper link 500#/10K	\$255.00
7	128799	Screw, set 1/4-20 x 3/8 socket head cup point 18-8 stainless steel	\$1.00
8	139795	Eye nut #7 500# - 2K	\$210.00
	148225	Eye nut 5/10K	\$280.00
9	148274	Collar top half 500#/10K	\$40.00
10	146322	Filter millipore	\$9.50
11	15238	Pin, cotter 1/8 x 1 extended prong stainless steel	\$1.25
12	142832	Nut hex slotted 5/8 - 11	\$2.10
13	149175	Casting mid section 5K	\$355.00
14	148259	Collar 500#/10K	\$49.00
	149168	Collar 10K s-beam 9300	\$65.00
15	135043	Swivel hook assembly 500#/2K	\$1,700.00
	143236	Latch safety assembly 500#/2K	\$26.00
	134523	Swivel hook assembly 5/10K s-beam	\$1,380.00
	143233	Latch safety assembly 5/10K	\$42.00

REPLACEMENT PARTS

MSI-4260C

Mid-Section Assembly (S-Beam Load Cell) (500 to 10,000 lb)



REPLACEMENT PARTS

MSI-4260C

Mid-Section Assembly (20,000 to 30,000 lb)



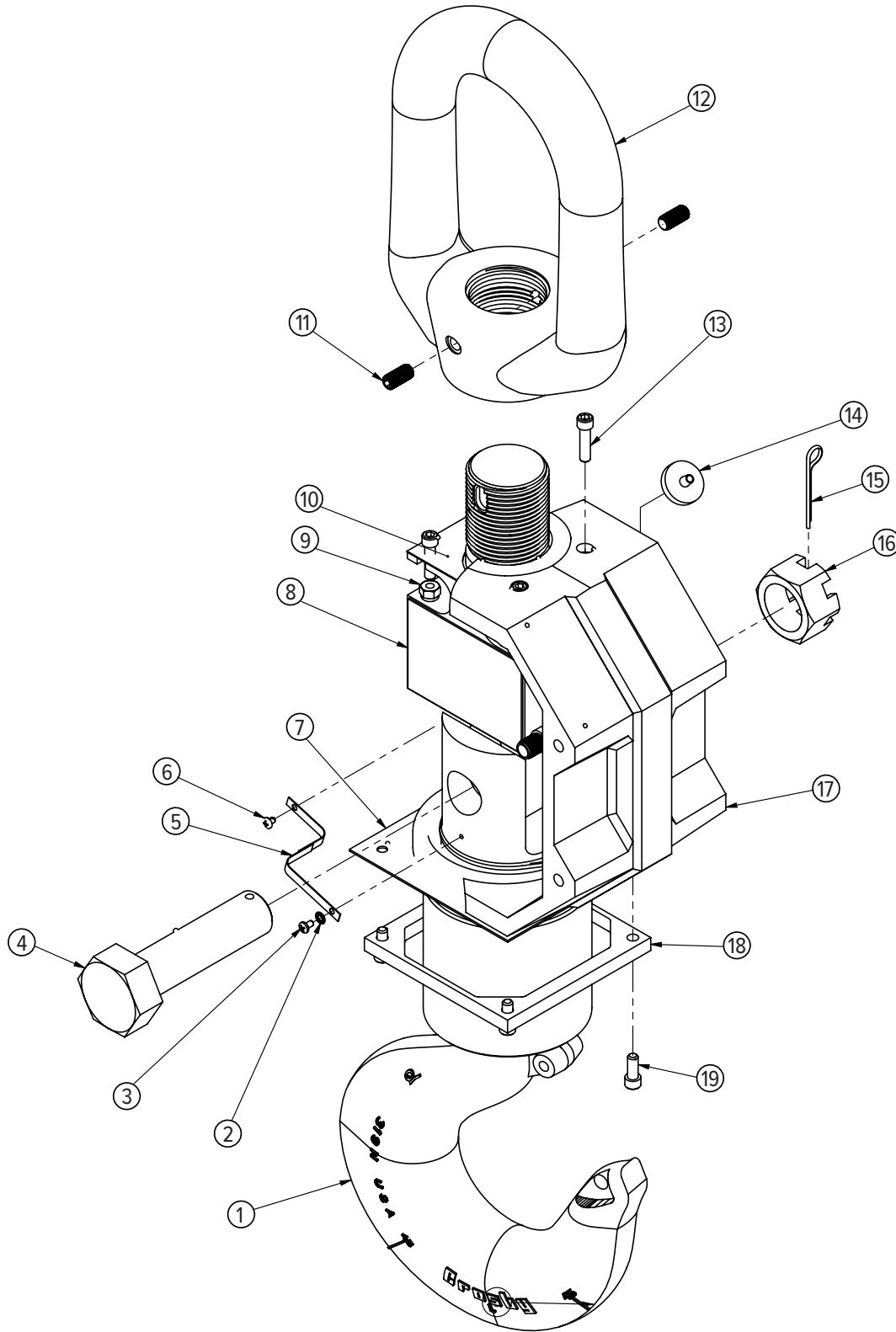
Part Number/Price

Item #	Part #	Description	Price
1	134938	Swivel hook assembly 20K	\$2,790.00
	134939	Swivel hook assembly 30K	\$3,620.00
	110661	Latch assembly 20K	\$44.00
	143235	Latch assembly 30K	\$115.00
2	81280	Washer, lock no 6 type A	\$11.00
3	146601	Screw ph 6-32 x 1/4 phil	\$1.00
4	148458	Bolt clevis hex head 1.125-4 x 4.2 grip with thread protectors	\$86.00
5	139843	Ground strap cable	\$14.00
6	146101	Screw ph 6-32 x 3/16 type	\$1.00
7	149957	Boot lower 20 to 70K	\$86.00
8	137763	Load cell assembly 20/30K standard	\$2,240.00
9	146631	Nut hex 1/4-20 nyloc stainless steel	\$2.10
10	149976	Gasket upper 20/30K Port-A-Weigh gasket	\$5.25
11	146081	Screw set 3/8-24 x 3/4 cup point stainless steel	\$2.10
12	148110	Eye nut 20/30K galvanized	\$635.00
13	81405	Screw, socket head 1/4-20 UNCx1 18-8 stainless steel	\$1.25
14	146322	Filter millipore	\$9.50
15	142186	Cotter pin 3/16 x 2 stainless steel	\$2.10
16	142833	Nut hex slotted 1.125 - 7 zinc plated	\$11.50
17	150523	Mid-section machined 20/30K	\$485.00
18	149958	Collar bottom 20 to 50K	\$140.00
19	145990	Screw socket head 1/4-20 x 5/8 stainless steel	\$2.10

REPLACEMENT PARTS

MSI-4260C

Mid-Section Assembly (20,000 to 30,000 lb)



REPLACEMENT PARTS

MSI-4260C

Mid-Section Assembly (50,000 to 70,000 lb)



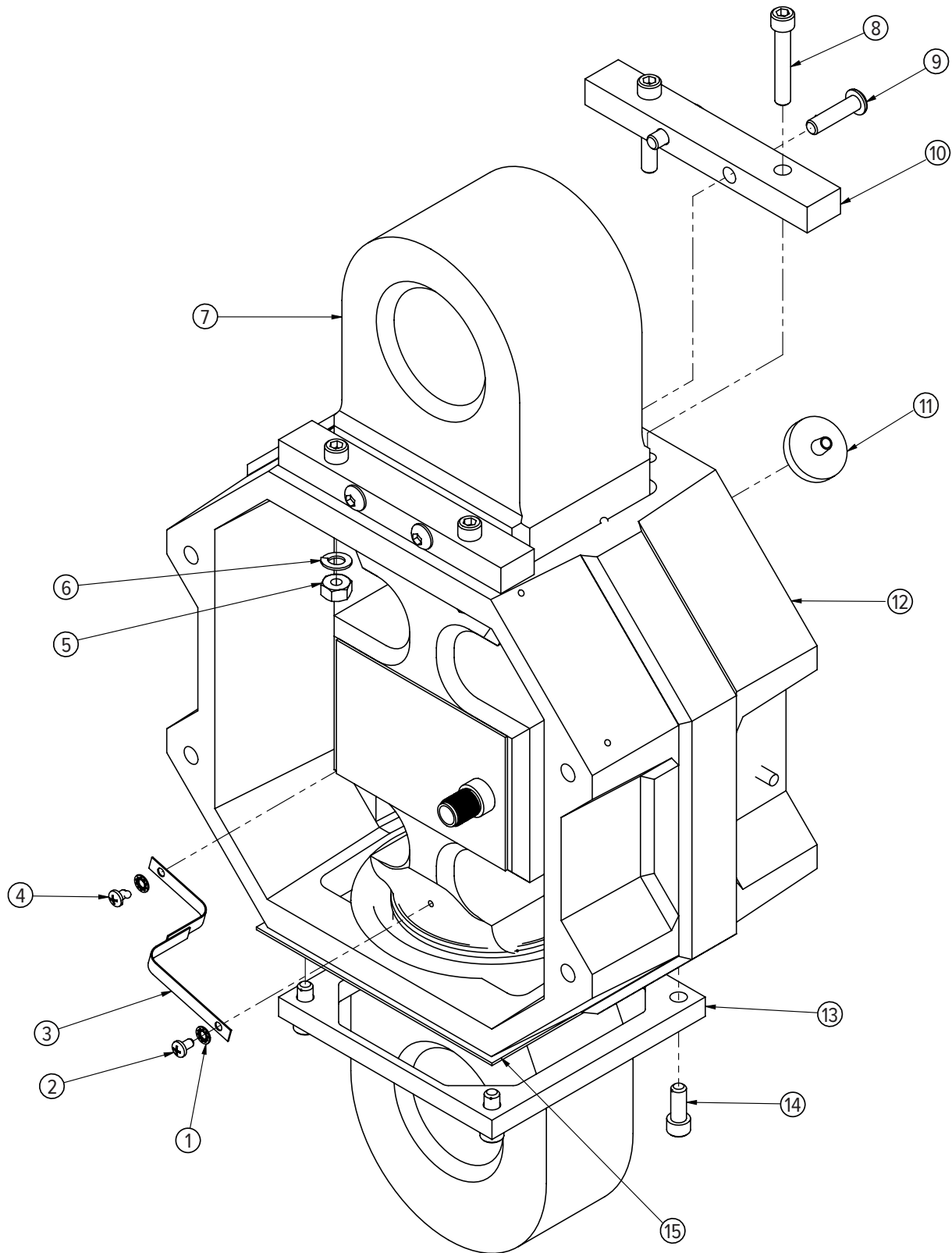
Part Number/Price

Item #	Part #	Description	Price
1	81280	Washer, lock no 6 type A	\$11.00
2	146601	Screw ph 6-32 x 1/4 phil	\$1.00
3	139843	Ground strap cable	\$14.00
4	146101	Screw ph 6-32 x 3/16 type	\$1.00
5	14642	Nut, 1/4-20NC hex stainless steel	\$1.75
6	15148	Washer, lock 1/4 regular	\$1.25
7	137764	Load cell assembly 50/70K standard	\$5,330.00
8	117599	Screw, cap 1/4-20NC x 1-1/2 hex socket head 18-8 stainless steel	\$1.75
9	145982	Screw button head 1/4-20 x 1 stainless steel socket head	\$2.10
10	148213	Collar top 50/100K	\$97.00
11	146322	Filter millipore	\$9.50
12	150525	Mid-section machined 50/100K	\$515.00
13	149958	Collar bottom 20 to 50K	\$140.00
14	145990	Screw socket head 1/4-20 x 5/8 stainless steel	\$2.10
15	149957	Boot lower 20 to 70K	\$86.00
Not Shown			
	135035	Hook, swivel, 50,000 lb	\$8,390.00
	142179	Latch, safety (fits 135035 hook)	\$160.00
	135036	Hook, swivel, 70,000 lb	\$11,750.00
	142180	Latch, safety (fits 135036 hook)	\$210.00
	151356	Shackle, 25T, 50,000 lb	Consult
	146335	Shackle, 40T, 70,000 lb	Consult

REPLACEMENT PARTS

MSI-4260C

Mid-Section Assembly (50,000 to 70,000 lb)



REPLACEMENT PARTS

MSI-4260C

Battery Casting Assembly



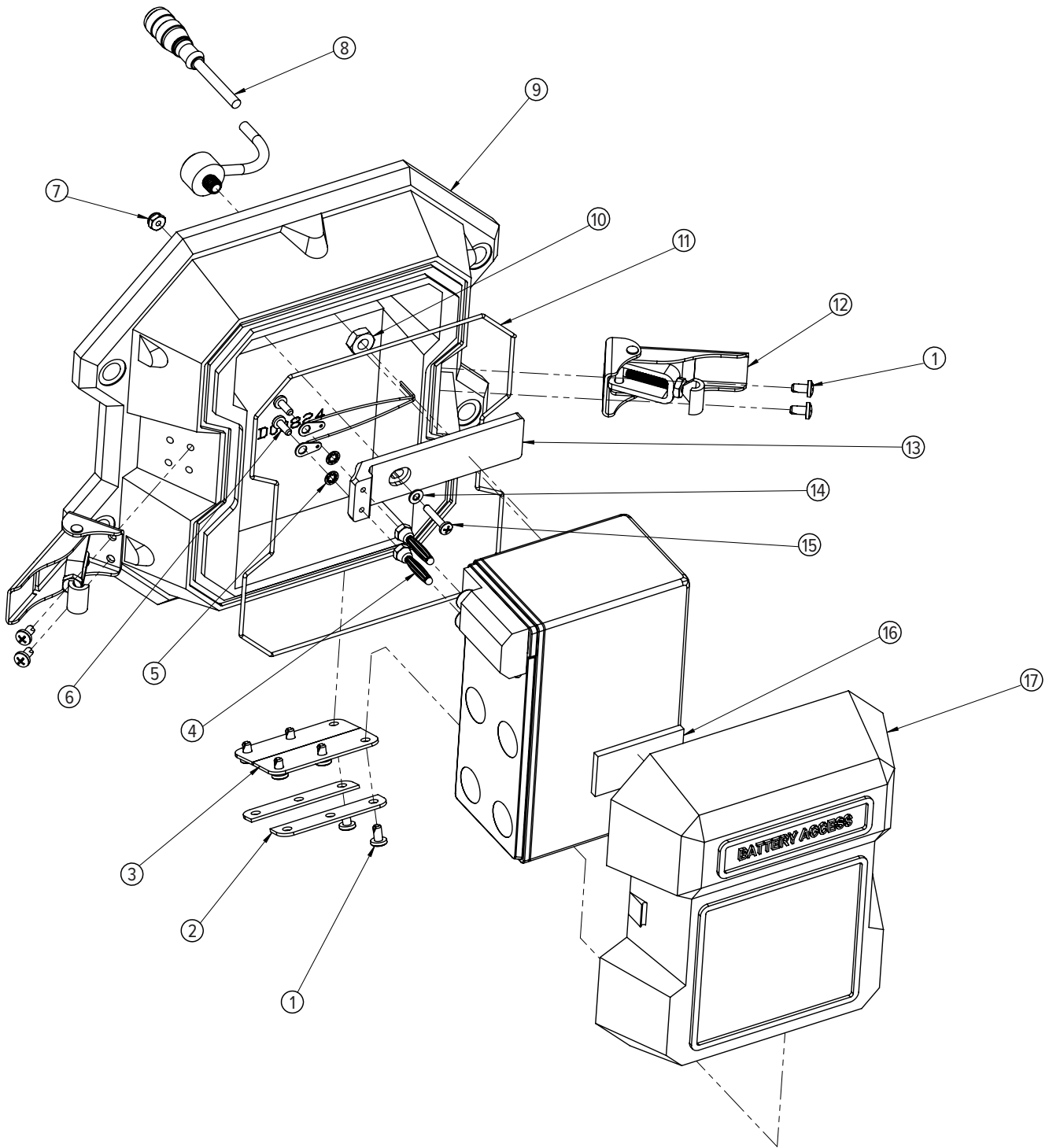
Part Number/Price

Item #	Part #	Description	Price
1	146108	Screw ph 8-32 x 3/8 type	\$2.00
2	149718	Plate aluminum battery door	\$14.00
3	149719	Fastener battery door rubber	\$11.00
4	147825	Plug banana jack	\$12.00
5	81280	Washer, lock no 6 type A	\$11.00
6	146603	Screw ph 6-32 x 3/8 phil	\$1.00
7	146627	Nut hex 6-32 nyloc stainless steel	\$1.00
8	133798	Cable assembly power molded feed through	\$150.00
9	150517	Battery well machined with o-ring	\$330.00
10	146661	Nut hex 5/16-18 jam stainless steel	\$2.25
11	149723	O-ring assembly battery well casting	\$14.00
12	145934	Latch camloc	\$40.00
13	150073	Conn block	\$26.00
14	55124	Washer, flat #6 cres	\$1.00
15	127036	Screw, machine 6-32 x 3/4 Phillips pan head 18-8 stainless steel	\$3.00
16	146640	Pad poron 2.0 x 1.0	\$3.25
17	150516	Battery door machined	\$97.00

REPLACEMENT PARTS

MSI-4260C

Battery Casting Assembly



REPLACEMENT PARTS

MSI-4260C

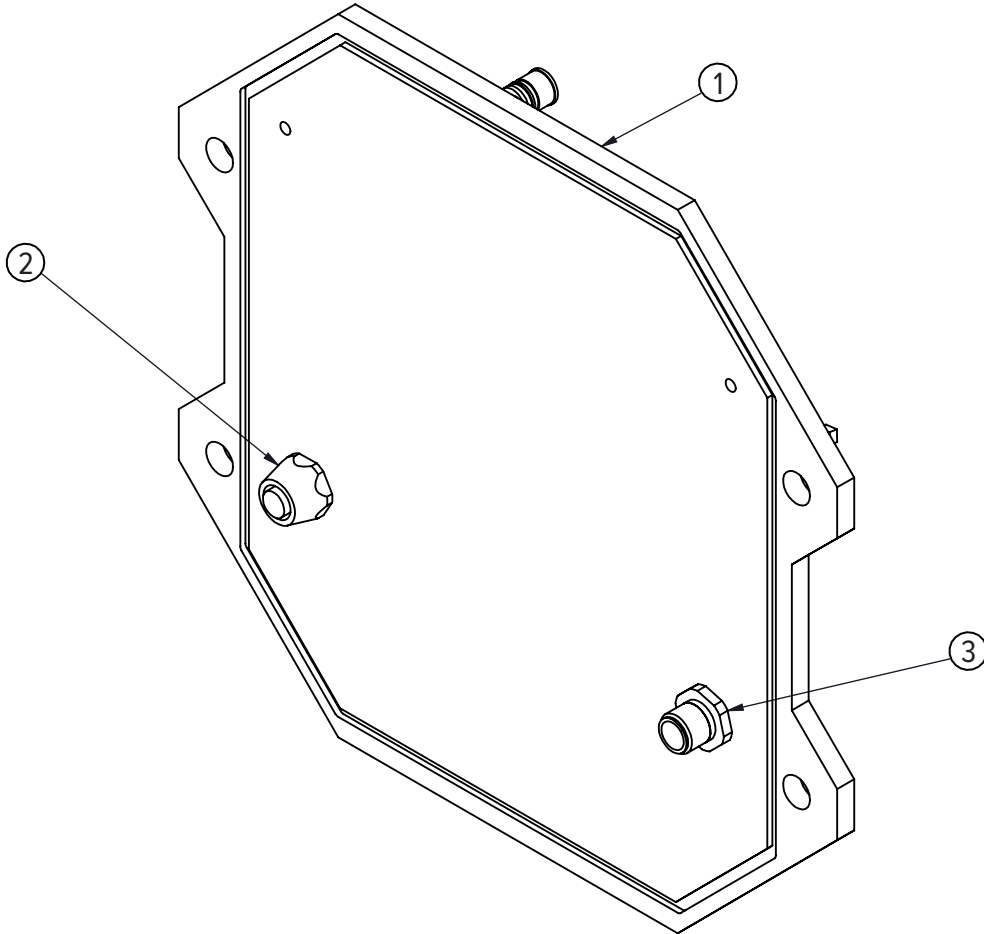
Bulkhead Assembly



Part Number/Price

Item #	Part #	Description	Price
1	149469	Bulkhead	\$155.00
2	139471	Cable assembly bulkhead load cell 12.0 in	\$66.00
3	139472	Cable assembly bulkhead power 12.0 in	\$49.00

REPLACEMENT PARTS



REPLACEMENT PARTS

MSI-4260M Industrial

Front Casting Assembly



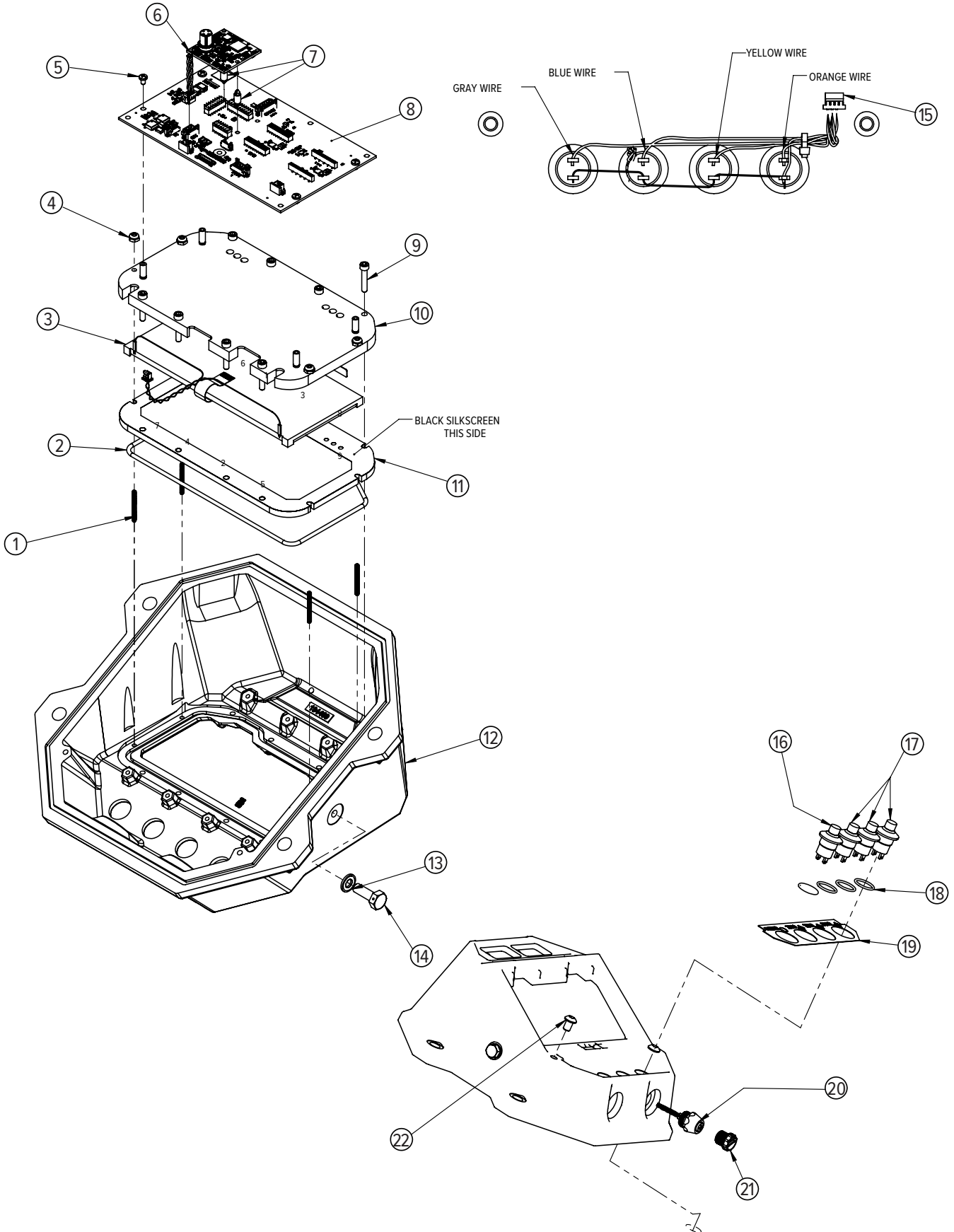
Part Number/Price

Item #	Part #	Description	Price
1	196566	Screw set allen dr cp stainless steel 4-40 1.0 LG	\$2.10
2	182066	O-ring 5.737 × 0.103 nitrile	\$2.10
3	195333	LCD module	\$120.00
4	146625	Nut hex 4-40 nyloc stainless steel	\$2.10
5	146593	Screw pan head 4-40 × 3/16 Phillips stainless steel	\$1.00
6	153429	PCA ScaleCore 3 1-channel w/ turck insert - controlled	\$280.00
7	144929	Spacer miniature dual locking 6 mm long	\$6.25
8	191081	PCA 5-digit LCD	\$410.00
9	200637	Screw, cap 6-32NC × 3/4 hex socket head 18-8 stainless steel	\$2.00
10	196524	LCD bracket	\$105.00
11	196523	LCD window	\$105.00
12	203000	Front casting LCD display	\$450.00
13	142472	Washer seal Stat-O-Seal® 1/4 inch	\$4.50
14	153203	Screw hex 1/4-20 × .375 UNC drilled hd stainless steel	\$11.00
15	139448	Cable assembly switch harness	\$22.00
16	147562	Switch P3-31111W watertight red	\$48.00
17	147563	Switch P3-31112W watertight black	\$46.00
18	146251	O-ring 70 durometer for use with PG11 feed through	\$2.10
19	194709	Overlay switches	\$32.00
20	139449	Cable assembly comm serial data RS-232	\$56.00
21	143352	Connector closure cap IP68 male	\$3.25
22	198460	Screw, cap 1/4-20 × 3/8 hex socket button head stainless steel	\$2.25

REPLACEMENT PARTS

MSI-4260M Industrial

Front Casting Assembly



REPLACEMENT PARTS

MSI-4260M Industrial

Mid-Section Assembly (500 to 10,000 lb)



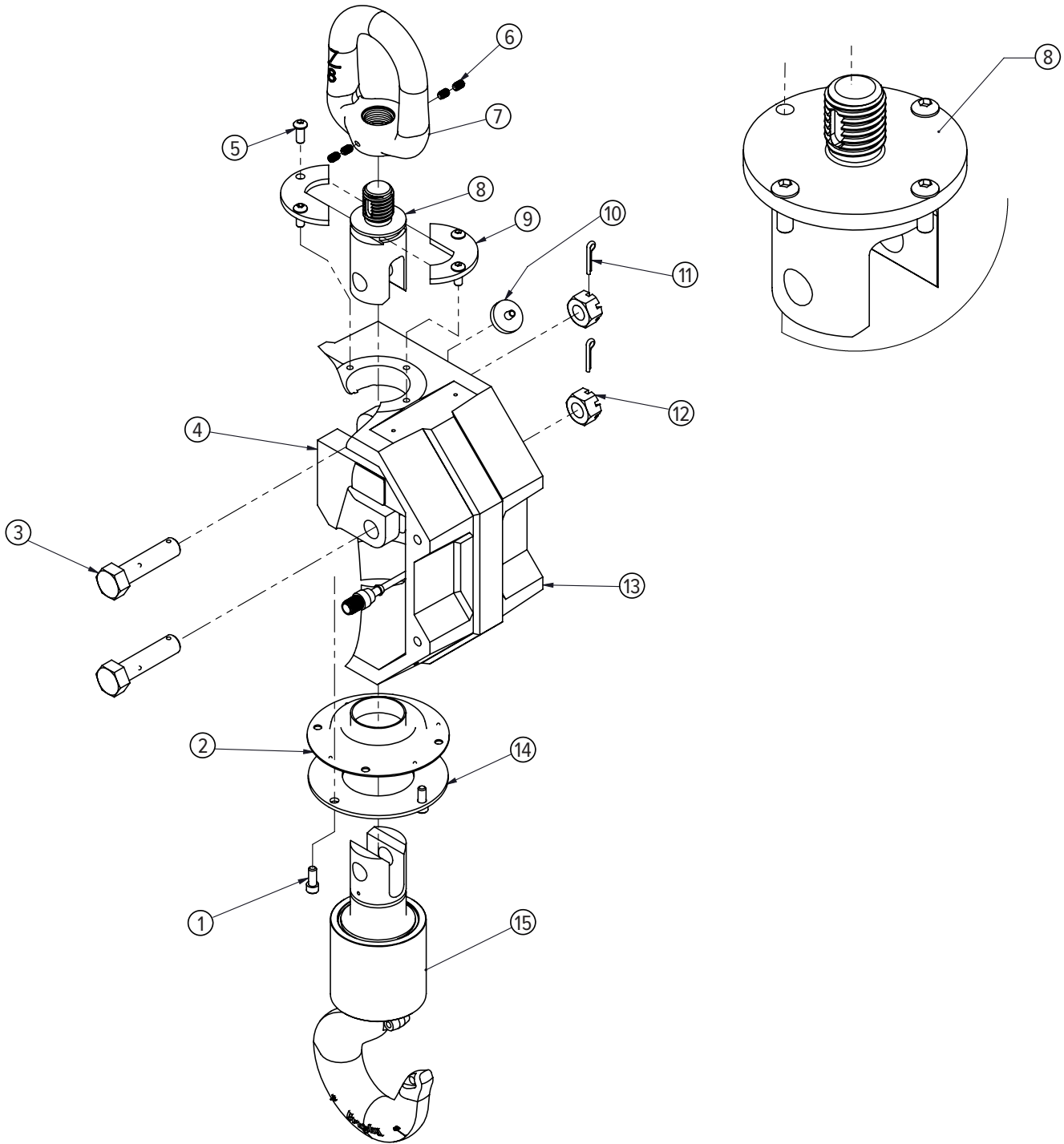
Part Number/Price

Item #	Part #	Description	Price
1	145990	Screw socket head 1/4-20 × 5/8 stainless steel	\$2.10
2	149165	Seal lower link	\$59.00
	149710	Seal lower link	\$49.00
3	149217	Bolt clevis hex head 5/8 × 2.75 grip	\$34.00
	148457	Bolt clevis hex head 5/8 × 1.75 grip with thread protectors	\$26.00
4	138664	Load cell assembly 10K s-beam	\$1,780.00
	138663	Load cell assembly 5K s-beam	\$1,650.00
	138662	Load cell assembly 1K/2K s-beam	\$1,270.00
	138661	Load cell assembly 500 lb s-beam	\$1,270.00
5	41251	Screw, cap 1/4-20NC × 3/4 hex socket button head stainless steel	\$2.10
	72031	Screw, cap 1/4-20NC × 5/8 hex socket button head stainless steel	\$1.25
6	128799	Screw, set 1/4-20 × 3/8 socket head cup point 18-8 stainless steel	\$1.00
7	148225	Eye nut 5/10K	\$280.00
	139795	Eye nut #7 500 lb/2K	\$210.00
8	149126	Upper link s-beam 5/10K	\$435.00
	148271	Upper link 500 lb/10K	\$255.00
9	148274	Collar top half 500 lb/10K	\$40.00
10	146322	Filter	\$9.50
11	15238	Pin, cotter 1/8 × 1 extended prong stainless steel	\$1.25
12	142832	Nut, hex slotted 5/8-11	\$2.10
13	150519	Mid section machined 500 lb/10K without o-ring	\$585.00
14	148259	Collar 500 lb/10K	\$49.00
15	134523	Swivel hook assembly 5/10K s-beam	\$1,380.00
	135043	Swivel hook assembly 500 lb/2K s-beam	\$1,700.00

REPLACEMENT PARTS

MSI-4260M Industrial

Mid-Section Assembly (500 to 10,000 lb)



REPLACEMENT PARTS

MSI-4260M Industrial

Mid-Section Assembly (20,000 to 30,000 lb)



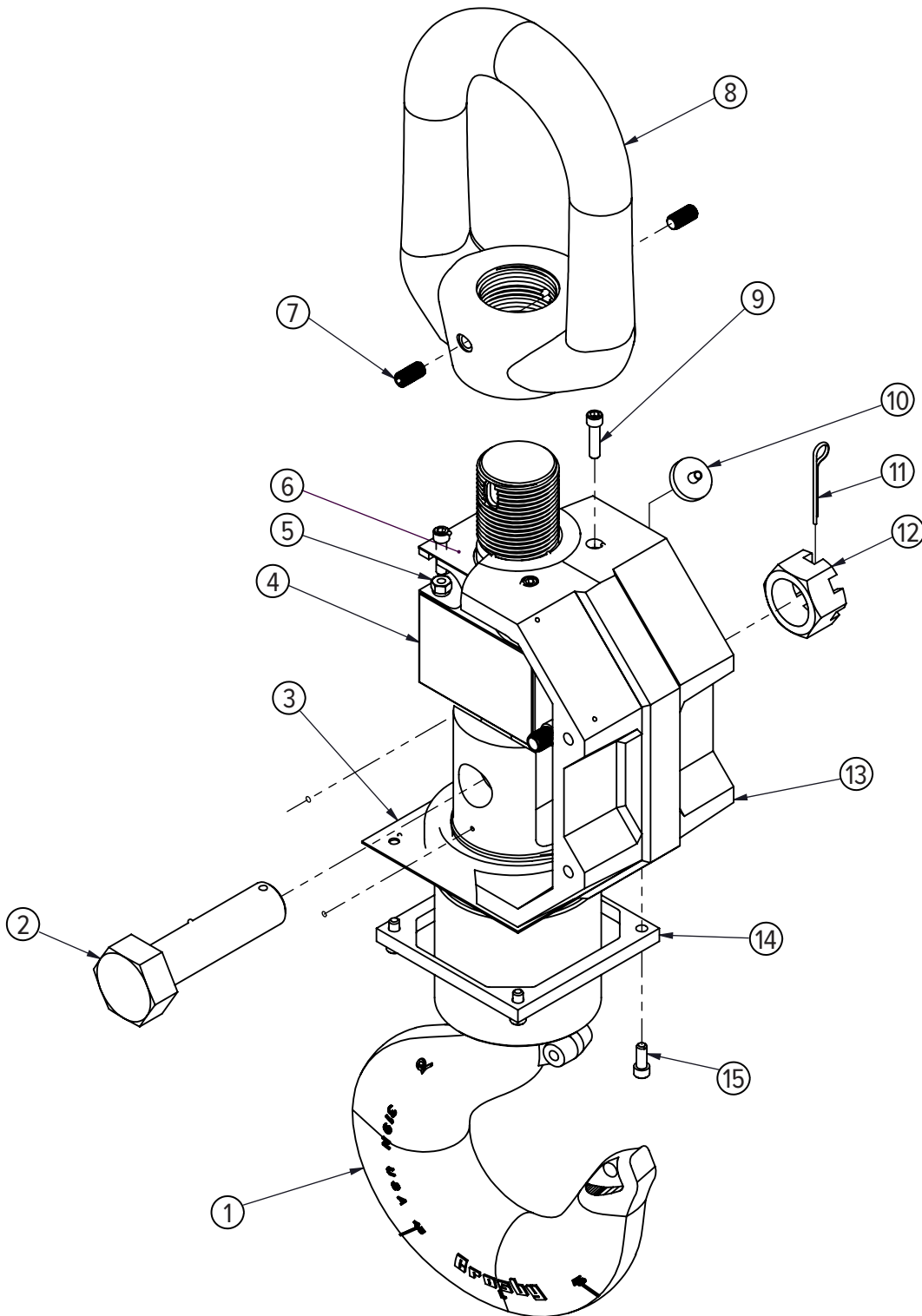
Part Number/Price

Item #	Part #	Description	Price
1	134938	Swivel hook assembly 20K	\$2,790.00
	134939	Swivel hook assembly 30K	\$3,620.00
2	148458	Bolt clevis hex head 1.125-7 × 4.2 grip with thread protectors	\$86.00
3	149957	Boot lower 20 to 70K	\$86.00
4	137763	Load cell assembly 20K/30K	\$2,240.00
5	146631	Nut hex 1/4-20 nyloc stainless steel	\$2.10
6	149976	Gasket upper 20K/30K Port-A-Weigh gasket	\$5.25
7	146081	Screw set 3/8-24 × 3/4 cup point stainless steel	\$2.10
8	148110	Eye nut 20K/30K galvanized	\$635.00
9	81405	Screw, socket head 1/4-20UNC×1 18-8 stainless steel	\$1.25
10	146322	Filter millipore	\$9.50
11	142186	Cotter pin 3/16 × 2	\$2.10
12	142833	Nut hex slotted 1.125 - 7 zinc pltd	\$11.50
13	150523	Mid section machined 20K/30K	\$485.00
14	149958	Collar bottom 20 to 50K	\$140.00
15	145990	Screw socket head 1/4-20 × 5/8 stainless steel	\$2.10

REPLACEMENT PARTS

MSI-4260M Industrial

Mid-Section Assembly (20,000 to 30,000 lb)



REPLACEMENT PARTS

MSI-4260M Industrial

Mid-Section Assembly (50,000 to 70,000 lb)



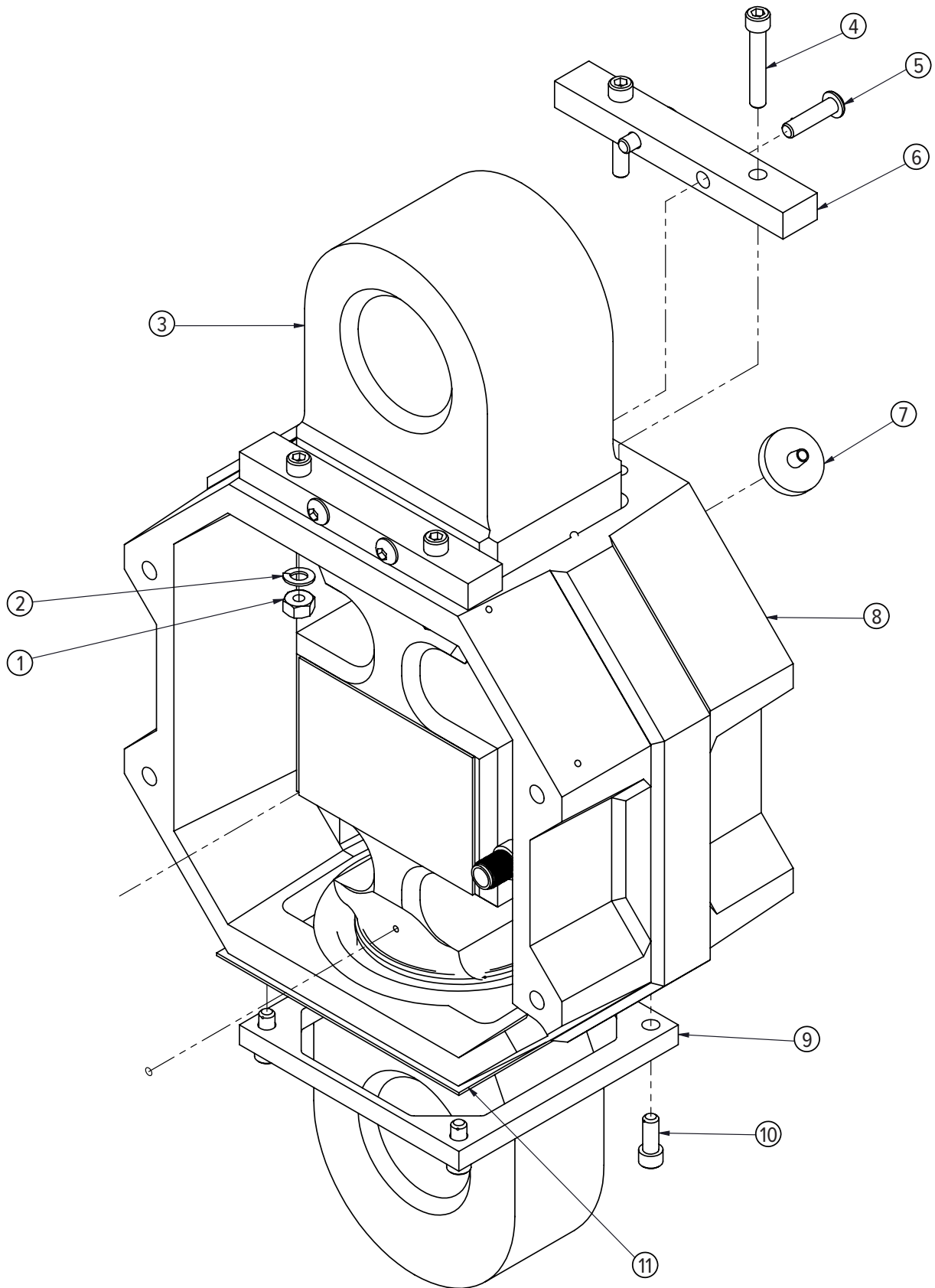
Part Number/Price

Item #	Part #	Description	Price
1	14642	Nut, 1/4-20NC hex stainless steel	\$1.75
2	15148	Washer, lock 1/4 regular helical spring stainless steel	\$1.25
3	137764	Load cell assembly 50K/70K standard	\$5,330.00
4	117599	Screw, cap 1/4-20NC×1-1/2 hex socket head 18-8 stainless steel	\$1.75
5	145982	Screw button head 1/4-20 × 1 stainless steel socket head	\$2.10
6	148213	Collar top 50K/100K	\$97.00
7	146322	Filter millipore	\$9.50
8	150525	Mid-section machined 50K/100K	\$515.00
9	149958	Collar bottom 20 to 50K	\$140.00
10	145990	Screw socket head 1/4-20 × 5/8 stainless steel	\$2.10
11	149957	Boot lower 20 to 70K	\$86.00
Not Shown			
	151356	Shackle, 25T, 50,000 lb	Consult
	146335	Shackle, 40T, 70,000 lb	Consult
	135035	Hook, swivel 50,000 lb	\$8,390.00
	142179	Latch safety (fits PN 135035 hook)	\$160.00
	135036	Hook, swivel 70,000 lb	\$11,750.00
	142180	Latch safety (fits PN 135036 hook)	\$210.00

REPLACEMENT PARTS

MSI-4260M Industrial

Mid-Section Assembly (50,000 to 70,000 lb)



REPLACEMENT PARTS

MSI-4260M Industrial

Battery Casting Assembly



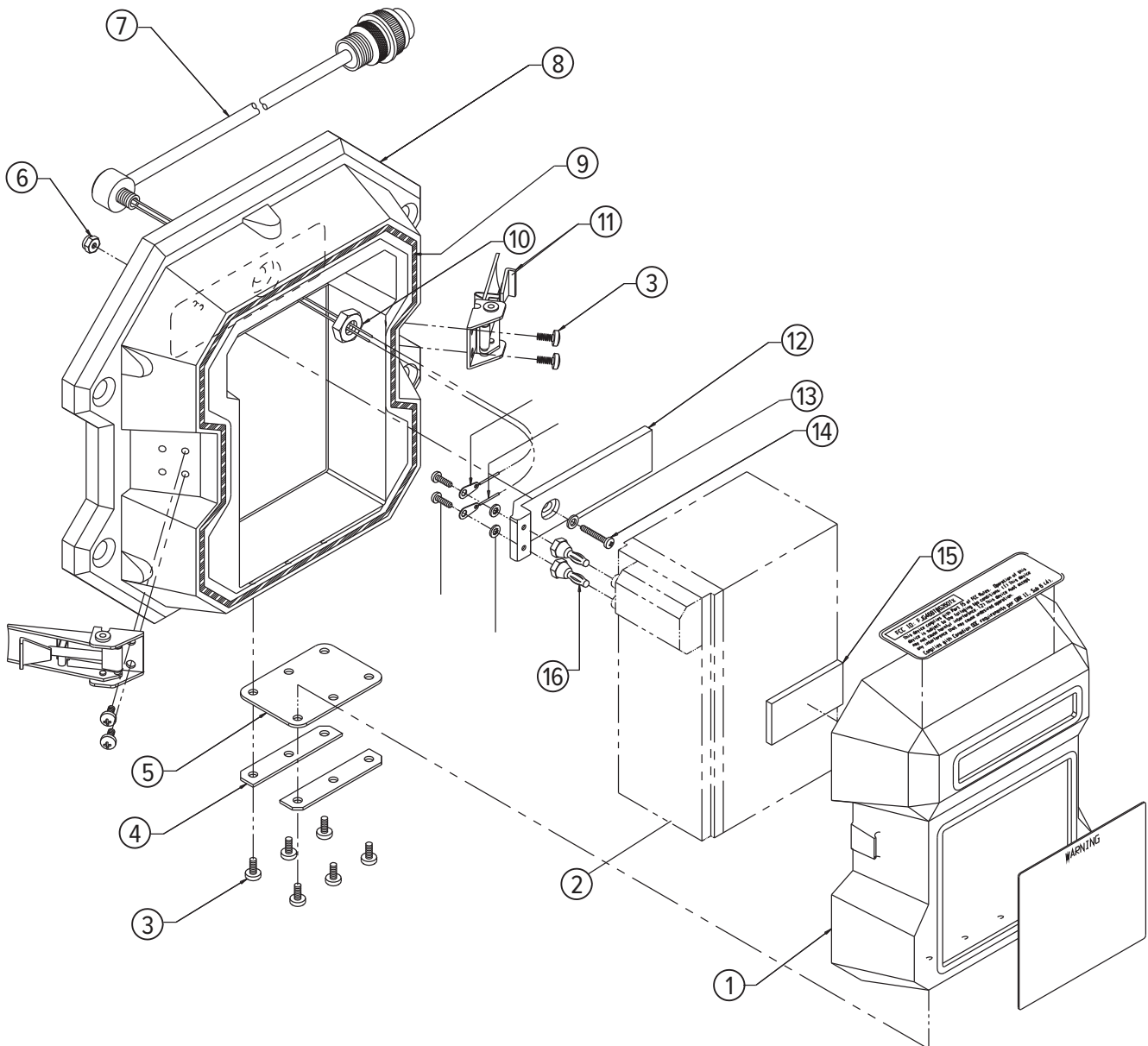
Part Number/Price

Item #	Part #	Description	Price
1	150516	Battery door machined	\$97.00
2	150367	Battery	\$145.00
3	146107	Screw pan head 8-32 x 5/16 type f stainless steel Phillips head	\$2.10
4	149718	Plate aluminum battery door	\$14.00
5	149719	Fastener battery door rubber	\$11.00
6	146627	Nut hex 6-32 nyloc stainless steel	\$1.00
7	133798	Cable assembly power molded feed through	\$150.00
8	150517	Battery well machined with o-ring	\$330.00
9	149723	O-ring assembly battery well casting	\$14.00
10	146661	Nut hex 5/16-18 jam stainless steel	\$2.25
11	145934	Latch camloc	\$40.00
12	150073	Connector block	\$26.00
13	55124	Washer, flat #6 cres	\$1.00
14	127036	Screw, machine 6-32 x 3/4 Phillips pan head 18-8 stainless steel	\$3.00
15	146640	Pad poron 2.0 x 1.0	\$3.25
16	147825	Plug banana jack	\$12.00

REPLACEMENT PARTS

MSI-4260M Industrial

Battery Casting Assembly



REPLACEMENT PARTS

MSI-4260M Industrial

Bulkhead Assembly



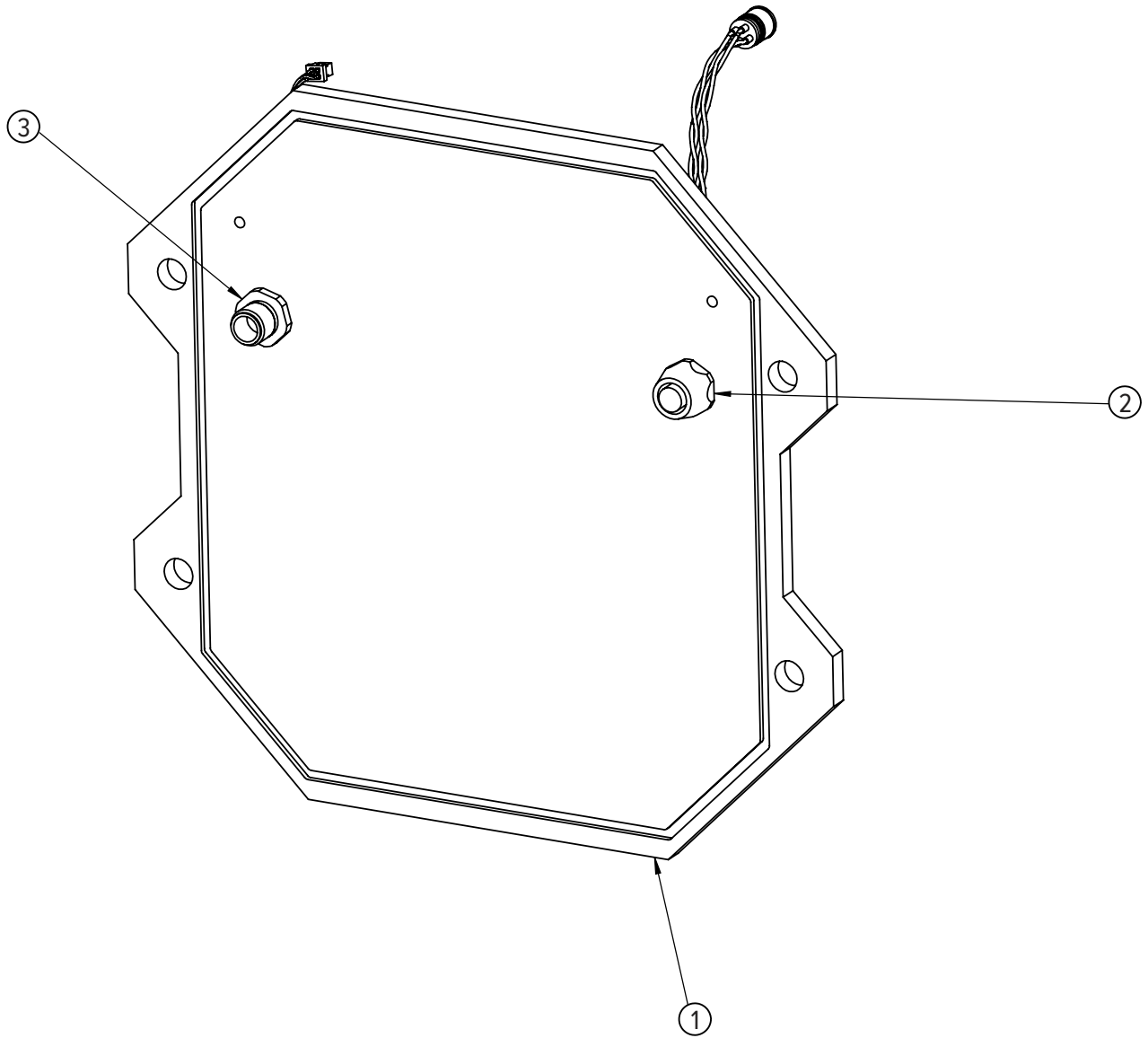
Part Number/Price

Item #	Part #	Description	Price
1	196355	Bulkhead front casting	Consult
2	139471	Cable assembly bulkhead load cell 12.0 in	\$66.00
3	139472	Cable assembly bulkhead power 12.0 in	\$49.00

REPLACEMENT PARTS

MSI-4260M Industrial

Bulkhead Assembly



REPLACEMENT PARTS

MSI-4260M Marine

Front Assembly



Part Number/Price

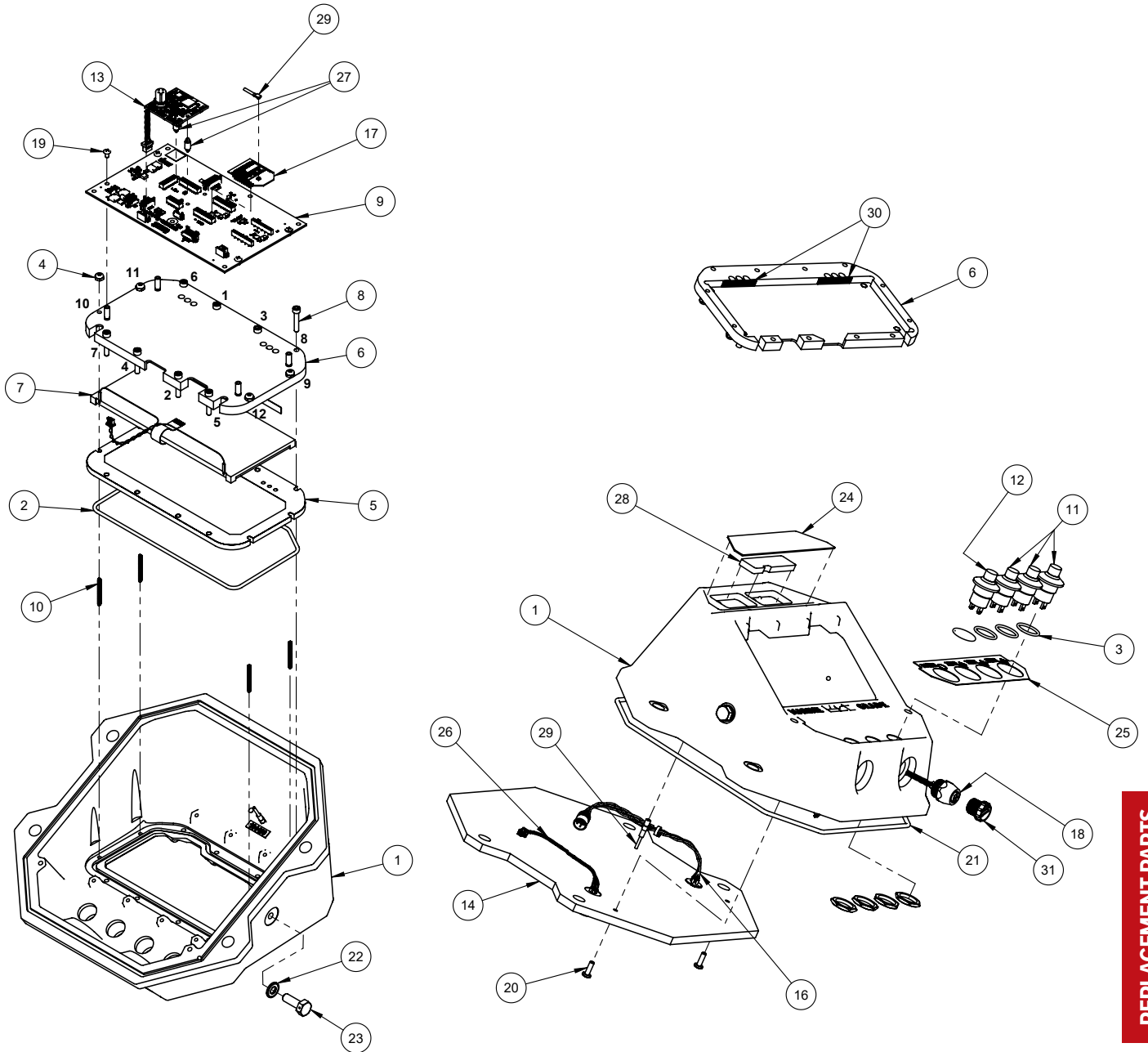
Item #	Part #	Description	Price
1	194469	Front casting 4260M	\$450.00
2	182066	O-ring 5.707 × .103	\$2.10
3	146251	O-ring ID .614 × .070 70 durometer	\$2.10
4	146625	Nut hex 4-40 nyloc stainless steel	\$2.10
5	196523	Window LCD 4260M	\$105.00
6	196524	Bracket LCD and electronics 4260M	\$105.00
7	195333	LCD display module 4260M	\$120.00
8	79567	Screw socket head 6-32 × 3/4 stainless steel	\$1.00
9	191081	PCA LCD 4260M	\$410.00
10	196566	Screw set 4-40 × 1.0 lg cp stainless steel	\$2.10
11	147563	Switch, black, watertight	\$46.00
12	147562	Switch, red, watertight	\$48.00
13	137805	PCA Scalecore 1 channel with turck insert	\$280.00
14,16,26	196276	Bulkhead assembly front 4260M	\$305.00
15	139448	Cable assembly switch harness 4260B (not shown)	\$22.00
16	139471	Cable assembly bulkhead lc 4260B/4260M	\$66.00
17	144773	Radio module XBEE-PRO 802.15.4 U.FL connect	\$136.50
18	139449	Cable assembly comm serial data RS-232 4260B/4260M	\$56.00
19	146593	Screw pan head 4-40 × 3/16 Phillips stainless steel	\$1.00
20	146604	Screw pan head 6-32 × 7/16 Phillips stainless steel	\$1.00
21	149724	O-ring assembly front casting paw/Trans-Weigh 4260M	\$14.00
22	142472	Washer seal Stat-O-Seal® 1/4 inch	\$4.50
23	144333	Screw hex head 1/4-20 × .75 drilled hd zinc pltd	\$5.25
24	195104	Overlay, descriptive 4260M	\$31.00
25	194709	Overlay switch 4260M	\$32.00
26	139472	Cable assembly bulkhead power 4260B/4260M	\$49.00
27	144929	Spacer mini dual locking .1 hole × 6 mm long	\$6.25
28	143454	Antenna 2.4GHz patch with straight mmcx	\$110.00
29	139450	RF cable assembly mmcx str jack - U.FL 175 mm	\$25.00
30	197592	Light shield blackout .235 × 1.25 peel & stick	\$4.25
31	143352	Conn closure cap IP68 male	\$3.25

Note: Items 14, 16 and 26 add new item for the assembly

REPLACEMENT PARTS

MSI-4260M Marine

Front Assembly



REPLACEMENT PARTS

MSI-4260M Marine

Battery Casting Assembly



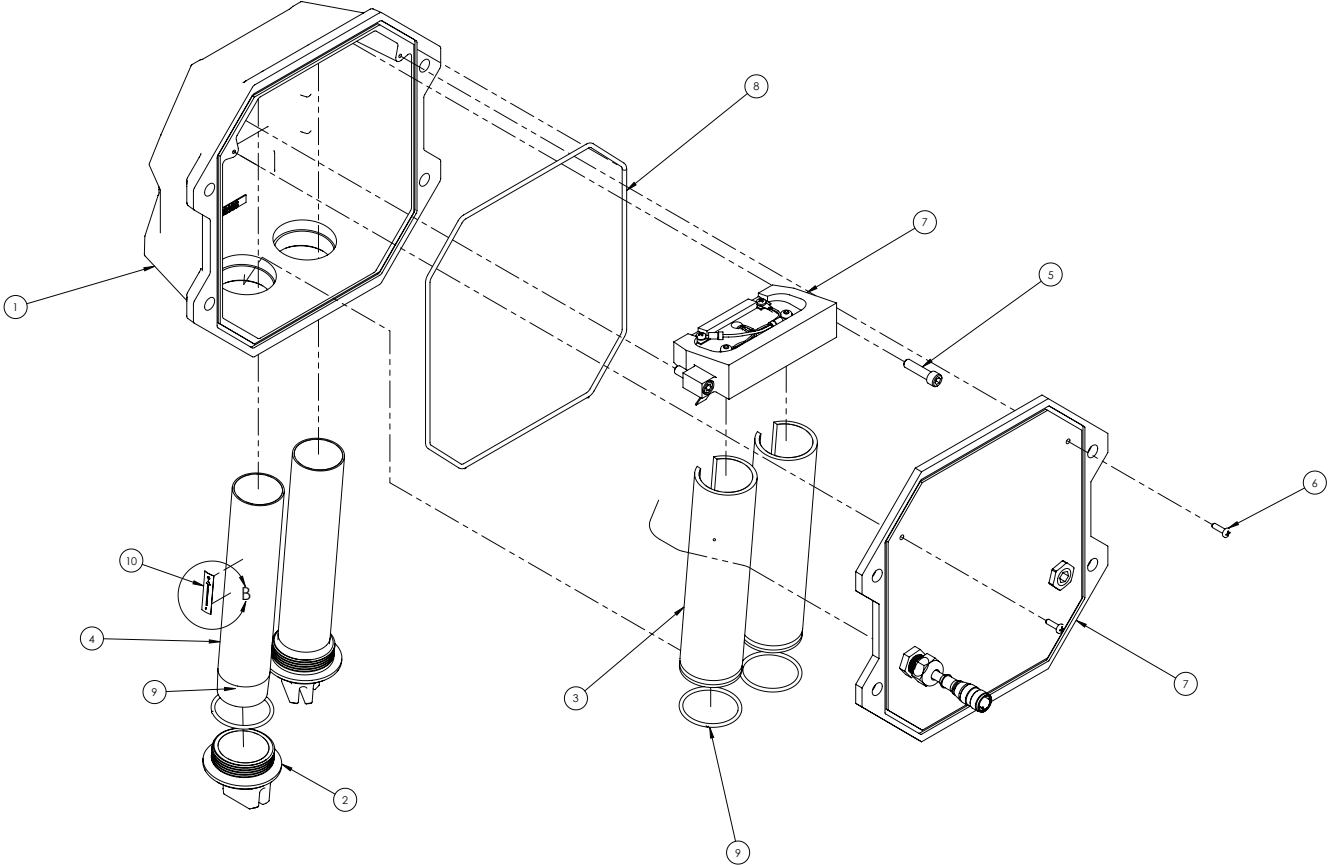
Part Number/Price

Item #	Part #	Description	Price
1	196155	Rear casting d-cell battery 4260M	\$325.00
2	147901	Battery cap paw+ d-cell tube 4260M	\$16.00
3	196308	Guide tube d-cell battery 4260M	\$120.00
4	196313	Weldment d-cell battery tube	\$155.00
5	81405	Screw socket head 1/4-20 x 1 stainless steel	\$1.25
6	146605	Screw pan head 6-32 x 1/2 stainless steel	\$1.00
7	196500	Battery terminal carrier assembly	\$470.00
8	149724	O-ring assembly front casting paw/trans-weigh 4260M	\$14.00
9	196502	O-ring 1-9/16 id x .103	\$1.00
10	141676	Polarity label	\$1.00

REPLACEMENT PARTS

MSI-4260M Marine

Battery Casting Assembly



REPLACEMENT PARTS

MSI-4260M Marine

Midsection Assembly



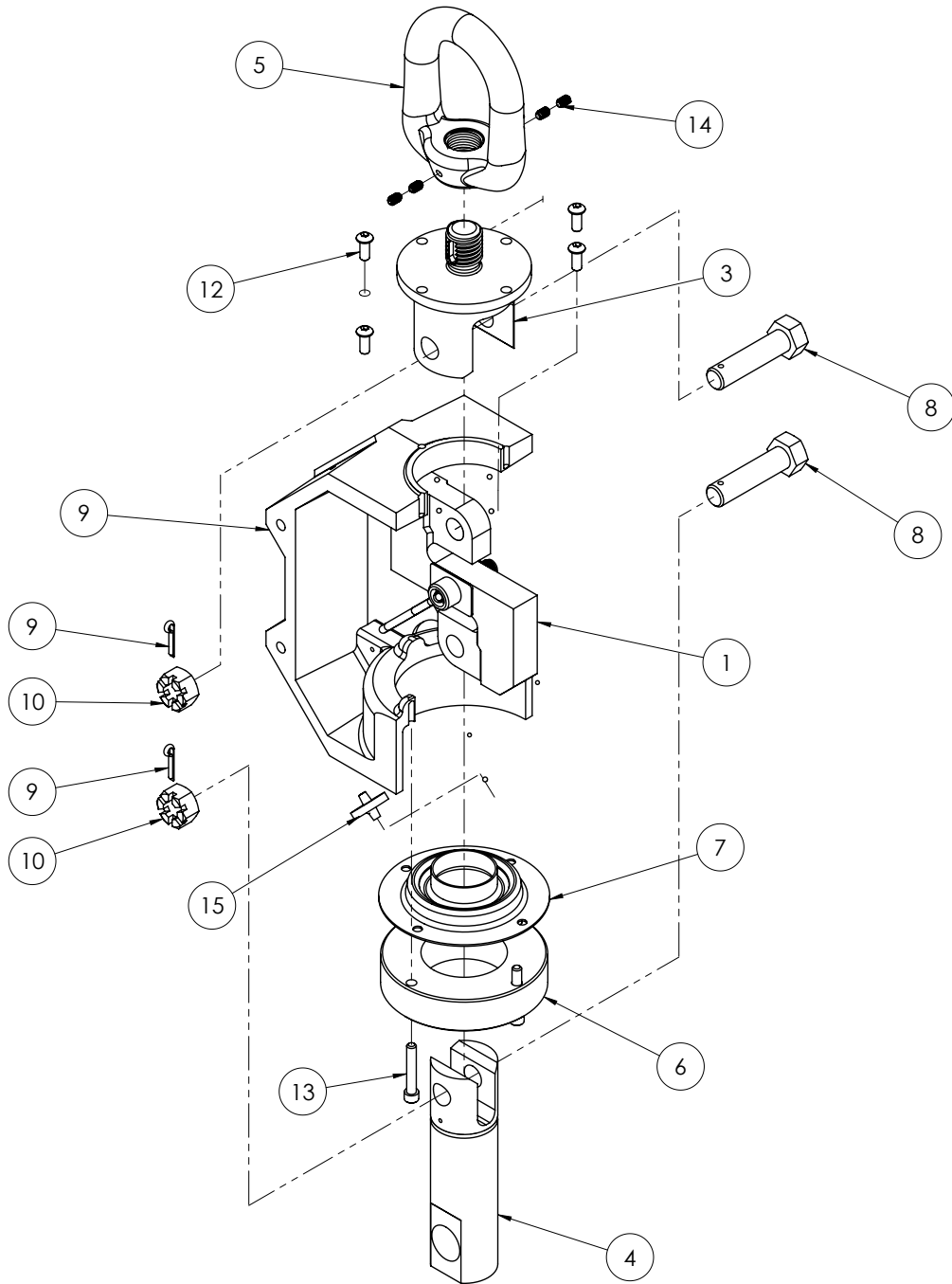
Part Number/Price

Item #	Part #	Description	Price
1	138663	Load cell assembly 5K s-beam 4260B/4260M	\$1,650.00
2	149175	Casting mid section 5/10K s-beam 6260CS, 4260M	\$355.00
3	203378	Upper link s-beam 5/10K	\$545.00
4	205230	Lower link 5/10K s-beam 4260M	\$210.00
5	148225	Eye nut 5/10K	\$280.00
6	204508	Collar 5/10K shackle	\$250.00
7	149165	Seal lower link EDPM	\$59.00
8	149217	Bolt clevis pin hex head 5/8 × 2.75 GRIP. 5K/10K capacity	\$34.00
9	15238	Pin cotter 1/8 × 1 stainless steel	\$1.25
10	142832	Nut hex slotted 5/8-11	\$2.10
11	144878	Washer flat 5/8 × 1.312	\$2.00
12	72031	Screw button head 1/4-20 × 5/8 stainless steel socket hd	\$1.25
13	117599	Screw socket head 1/4-20 × 1-1/2 stainless steel	\$1.75
14	128799	Screw set 1/4-20 × 3/8 stainless steel	\$1.00
15	146322	Filter millipore	\$9.50

REPLACEMENT PARTS

MSI-4260M Marine

Midsection Assembly



REPLACEMENT PARTS

MSI-9300

Front Casting Assembly



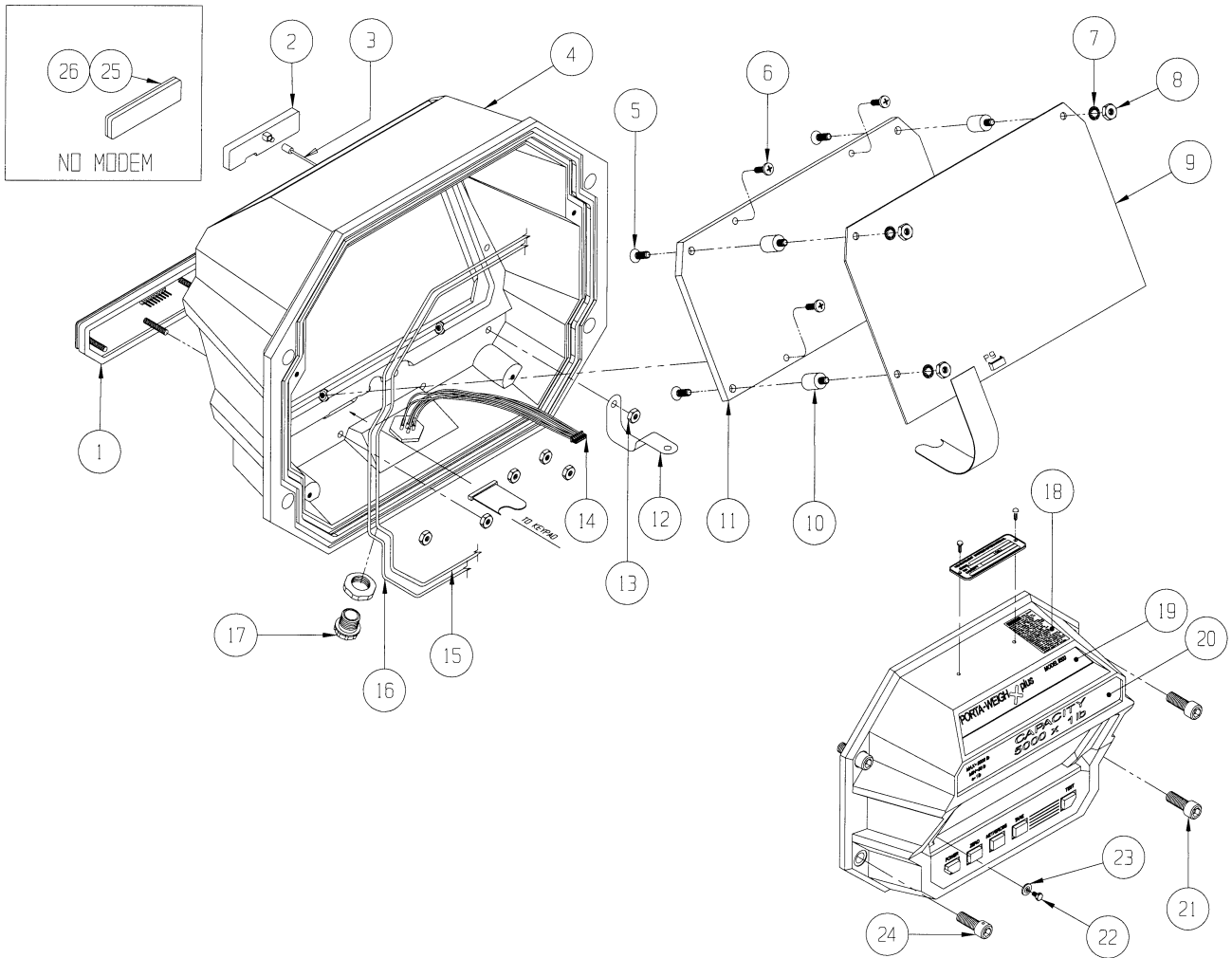
Part Number/Price

Item #	Part #	Description	Price
1	136324	Switch assembly	\$320.00
2	143454	Antenna housing with straight MMCX connector	\$110.00
3	148874	Cable assembly antenna	\$140.00
4	148824	Casting	\$475.00
5	54356	Screw, flat head, 8-32 x 3/8, Phillips, stainless steel	\$2.00
6	146604	Screw, pan head, 6-32 x 7/16, Phillips, stainless steel	\$0.75
7	15132	Washer internal tooth #8, stainless steel	\$1.50
8	65784	Nut, hex, 8-32, stainless steel	\$0.25
9	148700	PCA, LED display	\$550.00
10	142526	Shock mount flex, 8-32	\$17.00
11	148826	Window	\$180.00
12	139844	Ground strap	\$13.00
13	128445	Nut, hex, 6-32, stainless steel	\$1.00
14	148854	Cable assembly external comm	\$125.00
15	147997	O-ring, bulkhead	\$18.00
16	147996	O-ring, front/back	\$19.00
17	143352	Connector cap	\$3.25
18	148218	Label, warning	\$6.25
19	148867	Label, descriptive	\$51.00
20	Consult	Label, capacity	\$17.00
21	91869	Screw, socket head, 3/8-16 x 1, stainless steel	\$2.00
22	142574	Screw, pan head, 6-32 x 1/4, stainless steel	\$4.20
23	142299	Washer, seal	\$2.00
24	133598	Screw, 3/8-16 x 1, stainless steel, drilled	\$25.00
25	148902	Pad	\$7.50
26	148901	Filler plate	\$42.00

REPLACEMENT PARTS

MSI-9300

Front Casting Assembly



REPLACEMENT PARTS

MSI-9300

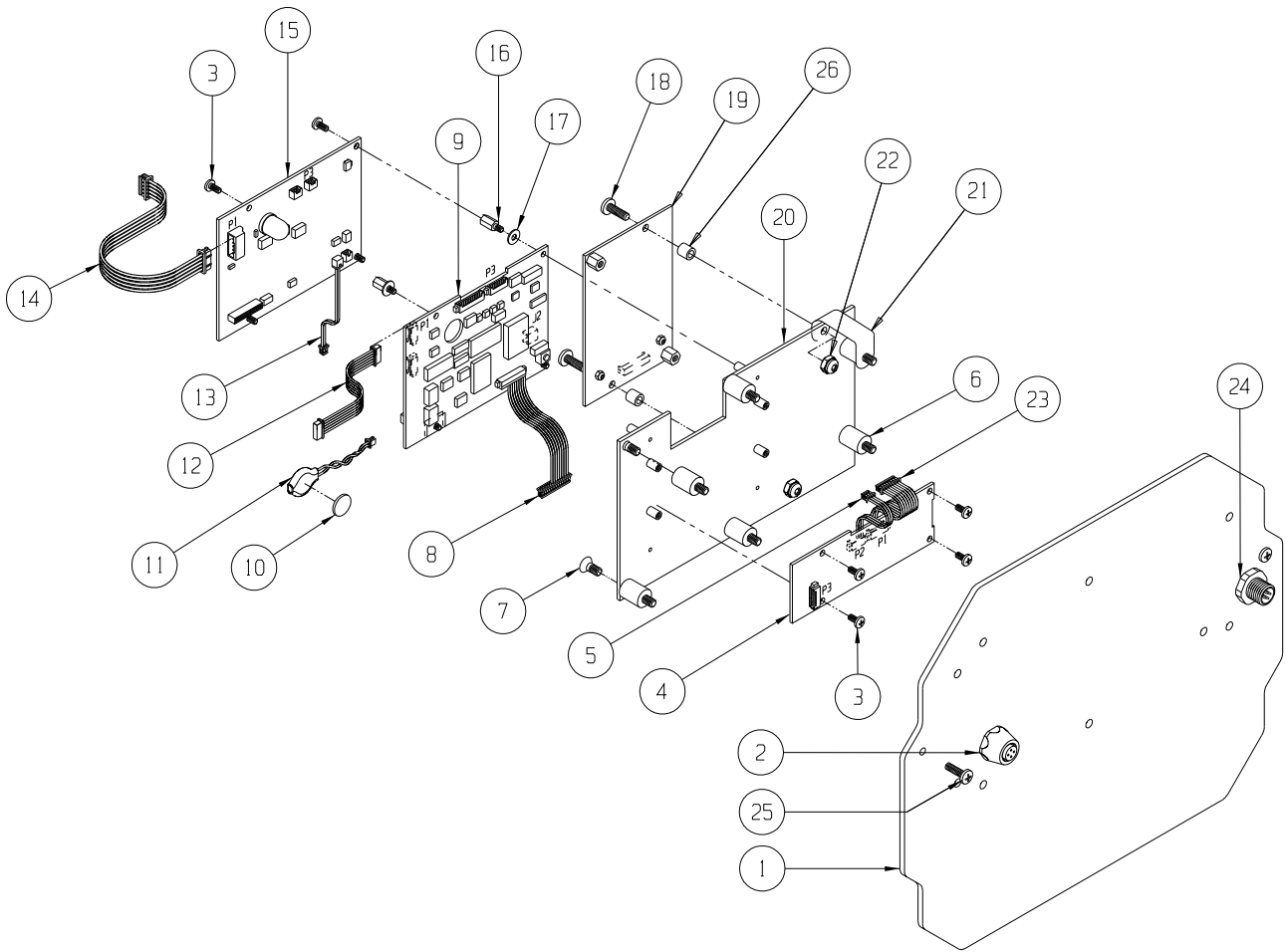
Series Bulkhead Assembly



Part Number/Price

Item #	Part #	Description	Price
1	149216	Bulkhead plate	\$105.00
2	148843	Cable assembly, load cell	\$125.00
3	128088	Screw, pan head, 4-40 × 1/4, Phillips, stainless steel	\$1.00
4	148548	PCA, high resolution A/D	\$400.00
5	148869	Cable assembly, A/D to power supply	\$33.00
6	142526	Shock mount	\$17.00
7	146567	Screw, flat head, 8-32 × 1/4, Phillips, stainless steel	\$1.00
8	149085	Cable assembly, controller to 2450 modem	\$73.00
9	148547	PCA, controller	\$605.00
10	148592	Pad adhesive, battery	\$11.00
11	137718	Battery assembly, 3V lithium	\$105.00
12	148852	Cable assembly, comm. internal	\$32.00
13	149320	Cable assembly, (Ethernet power)	\$25.00
14	148991	Cable assembly, electronics power	\$26.00
15	148982	PCA, power supply	\$455.00
16	143306	Standoff hex, .312 lg., 4-40 .188 M thd.	\$3.25
17	143384	Washer flat #4, stainless steel	\$2.25
18	146601	Screw, pan head, 6-32 × 1/4, Phillips, stainless steel	\$0.75
19	138304	PCA, with 2450 modem	\$675.00
20	148842	Bracket electronics front	\$73.00
21	139844	Ground strap	\$13.00
22	146627	Nut, hex, 6-32 nyloc, stainless steel	\$0.75
23	148612	Cable assembly, A/D, controller 8P	\$26.00
24	148856	Cable assembly, power battery	\$160.00
25	146604	Screw, 6-32 × 7/16, Phillips, stainless steel	\$0.75
26	144227	Spacer, 1/4 × 1/4, #6	\$3.50

REPLACEMENT PARTS



REPLACEMENT PARTS

MSI-9300

Mid-section Assembly 500 - 10,000 lb (S-beam Load Cell)



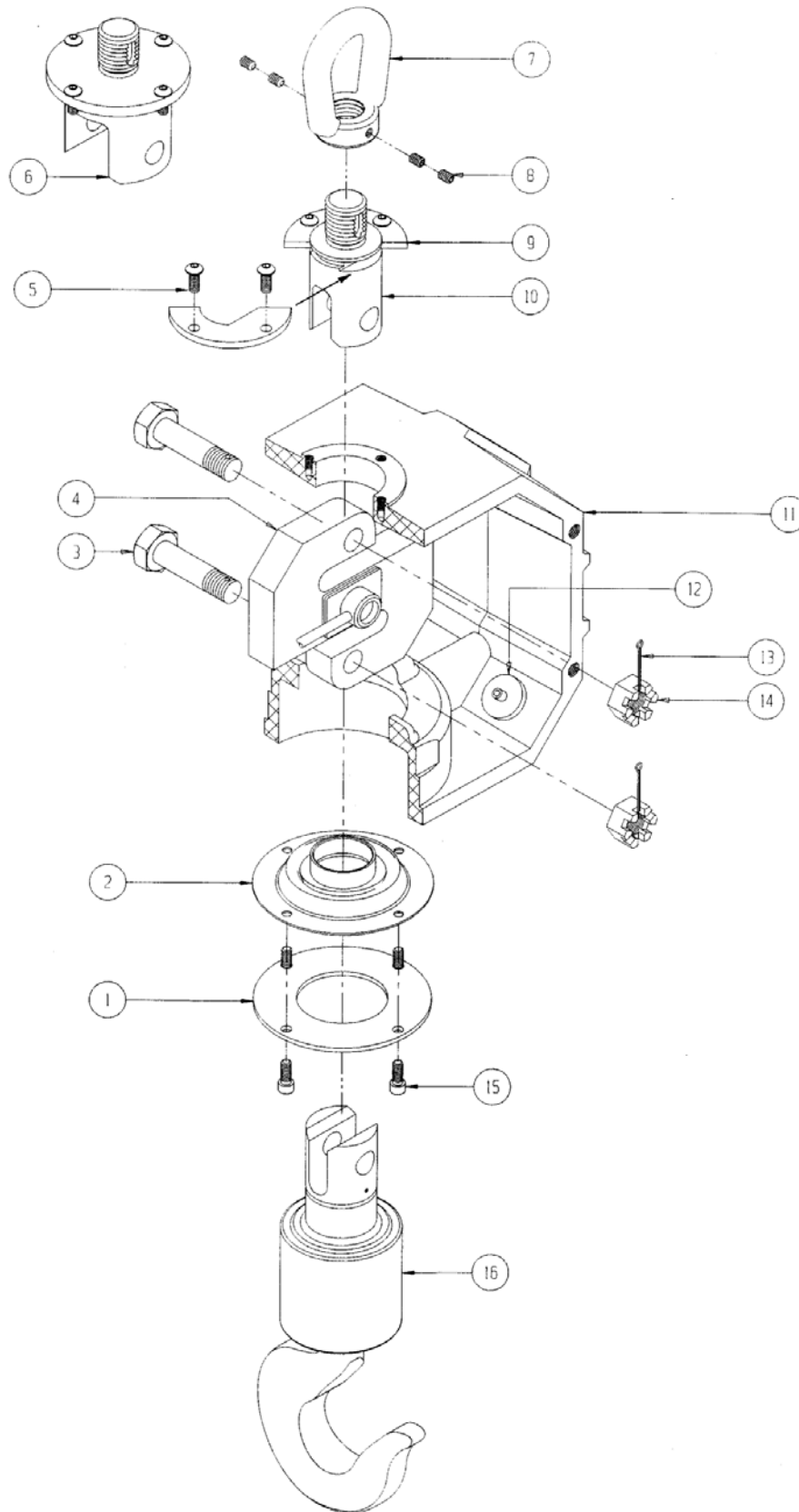
Part Number/Price

Item #	Part #	Description	Price
1	148259	Collar, 500/2K	\$49.00
1	149168	Collar, 5/10K	\$65.00
2	149710	Seal, 500/2K	\$49.00
2	149165	Seal, 5/10K	\$59.00
3	148457	Bolt, clevis, 500/2K	\$26.00
3	149217	Bolt, clevis, 5/10K	\$34.00
Not Shown	144878	Washer, flat, 5/8, must go with 5/10K bolt (4 places)	\$2.00
4	138661	Load cell assembly, 500	\$1,270.00
4	138662	Load cell assembly, 2K	\$1,270.00
4	138663	Load cell assembly, 5K	\$1,650.00
4	138664	Load cell assembly, 10K	\$1,780.00
5	72031	Screw, button head, 1/4-20 x 5/8, stainless steel	\$1.25
6	149126	Link, upper, 5/10K	\$435.00
7	139795	Eye nut, lifting, 500/2K	\$210.00
7	148225	Eye nut, lifting, 5/10K	\$265.00
8	128799	Screw set, 1/4-20 x 3/8, stainless steel	\$1.00
9	148274	Collar, top (2 pcs)	\$40.00/ea
10	148271	Link, upper, 500/2K	\$255.00
11	147884	Casting, mid section, 500/2K	\$505.00
11	149166	Casting, mid section, 5/10K	\$515.00
12	146322	Filter	\$9.50
13	15238	Cotter pin	\$1.25
14	142832	Nut	\$2.10
15	145990	Screw, SH, 1/4-20 x 5/8, stainless steel	\$2.10
16	135043	Hook assembly, swivel, 500/2,000 lb	\$1,700.00
	143236	Latch, safety (fits 500787-0001 hook with hole)	\$26.00
16	134523	Hook assembly, swivel, 5,000/10,000 lb	\$1,380.00
	143233	Latch, safety (fits 500297-0001 hook with hole)	\$42.00

REPLACEMENT PARTS

MSI-9300

Mid-section Assembly 500 - 10,000 lb (S-beam Load Cell)



REPLACEMENT PARTS

MSI-9300

Mid-section Assembly 20,000 lb and 30,000 lb



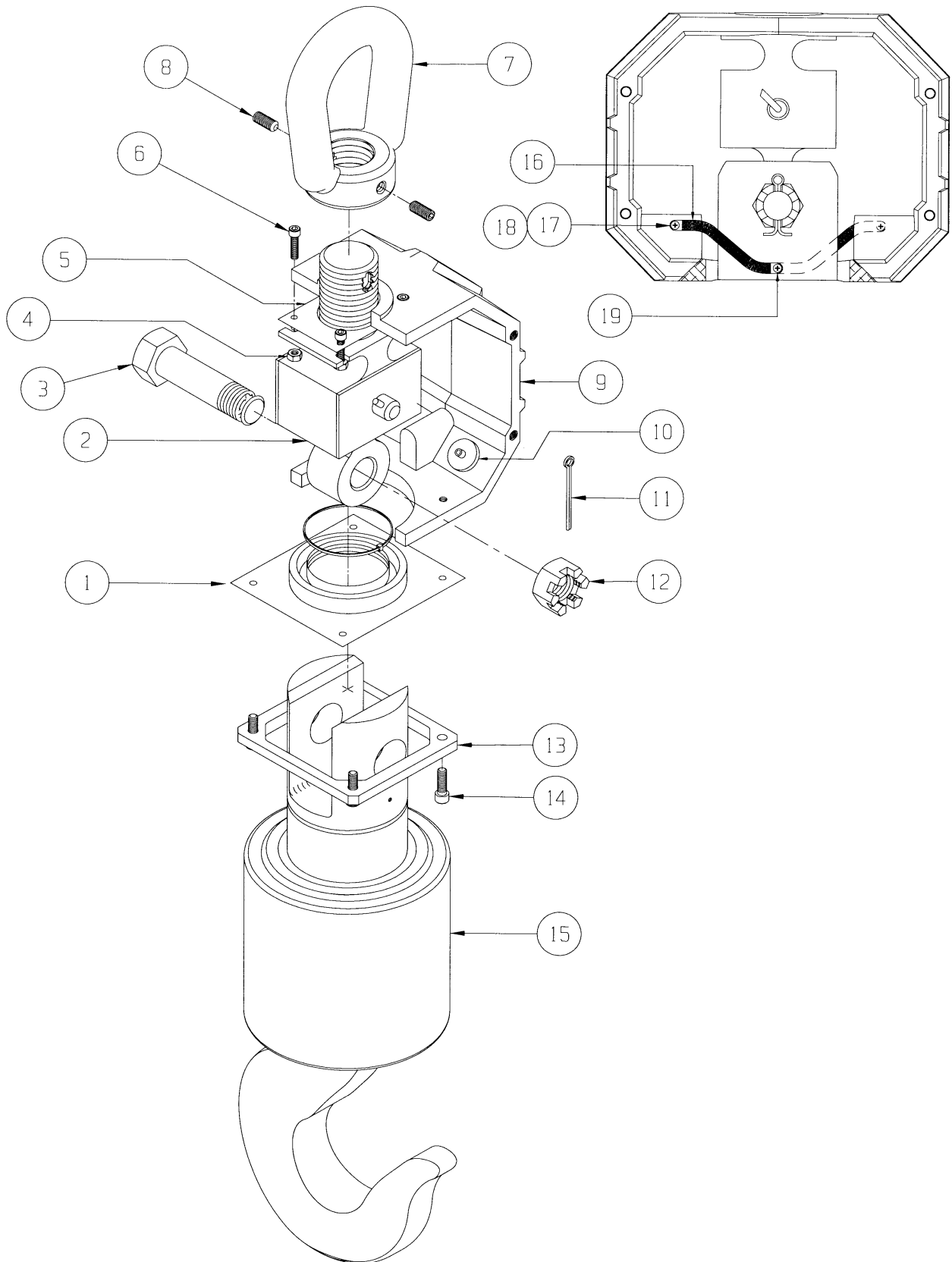
Part Number/Price

Item #	Part #	Description	Price
1	148048	Seal	\$210.00
2	137763	Load cell assembly	\$2,240.00
3	148458	Bolt	\$86.00
4	146631	Nut, hex, 1/4-20, nyloc, stainless steel	\$2.10
5	149976	Gasket	\$5.25
6	81405	Screw, socket head, 1/4-20 x 1, stainless steel	\$1.25
7	148110	Eye, lifting	\$635.00
8	146081	Screw set, 3/8-24 x 3/4, cut point, stainless steel	\$2.10
9	147882	Casting	\$485.00
10	146322	Filter	\$9.50
11	142186	Cotter pin, 3/16 x 2, stainless steel	\$2.10
12	142833	Nut, hex, 1.125 - 7	\$11.50
13	147976	Collar	\$71.00
14	145995	Screw, socket head, 5/16-18 x 1, stainless steel	\$2.00
15	134938	Hook assembly, swivel, 20,000 lb	\$2,790.00
	110661	Latch, safety (fits 500729-0001)	\$44.00
15	134939	Hook assembly, swivel, 30,000 lb	\$3,620.00
	143235	Latch, safety (fits 500729-0002)	\$115.00

REPLACEMENT PARTS

MSI-9300

Mid-section Assembly 20,000 lb and 30,000 lb



REPLACEMENT PARTS

MSI-9300

Mid-section Assembly 50,000 lb and 70,000 lb



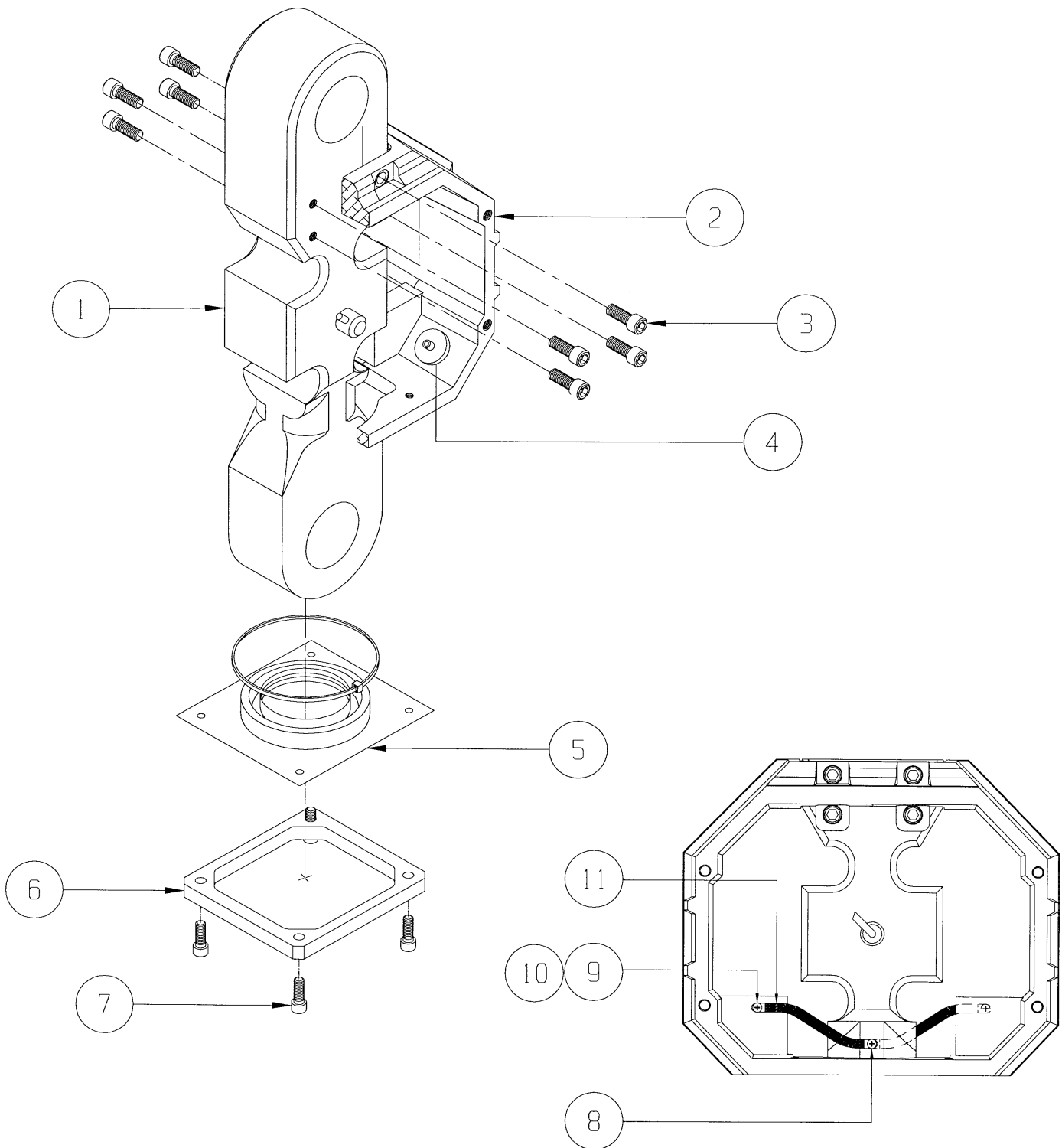
Part Number/Price

Item #	Part #	Description	Price
1	137764	Load cell assembly	\$5,330.00
2	147974	Casting	\$530.00
3	91869	Screw, socket head, 3/8-16 x 1, stainless steel	\$2.00
4	146322	Filter	\$9.50
5	148048	Seal	\$210.00
6	147976	Collar	\$71.00
7	145995	Screw, socket head, 5/16-18 x 1, stainless steel	\$2.00
8	146601	Screw, pan head, 6-32 x 1/4, Phillips, stainless steel	\$0.75
9	81280	Washer Internal tooth #6, stainless steel	\$1.00
10	146101	Screw, pan head, 6-32 x 3/16, Phillips, stainless steel	\$1.00
11	139843	Ground strap	\$14.00
Not Shown	151356	Shackle, 25T, 50,000 lb	Consult
Not Shown	146335	Shackle, 40T, 70,000 lb	Consult
Not Shown	135035	Hook, swivel, 50,000 lb	\$8,390.00
	142179	Latch, safety (fits 500782-0001 hook)	\$160.00
Not Shown	135036	Hook, swivel, 70,000 lb	\$11,750.00
	142180	Latch, safety (fits 500782-0002 hook)	\$210.00

REPLACEMENT PARTS

MSI-9300

Mid-section Assembly 50,000 lb and 70,000 lb



REPLACEMENT PARTS

MSI-9300

Battery Casting Assembly



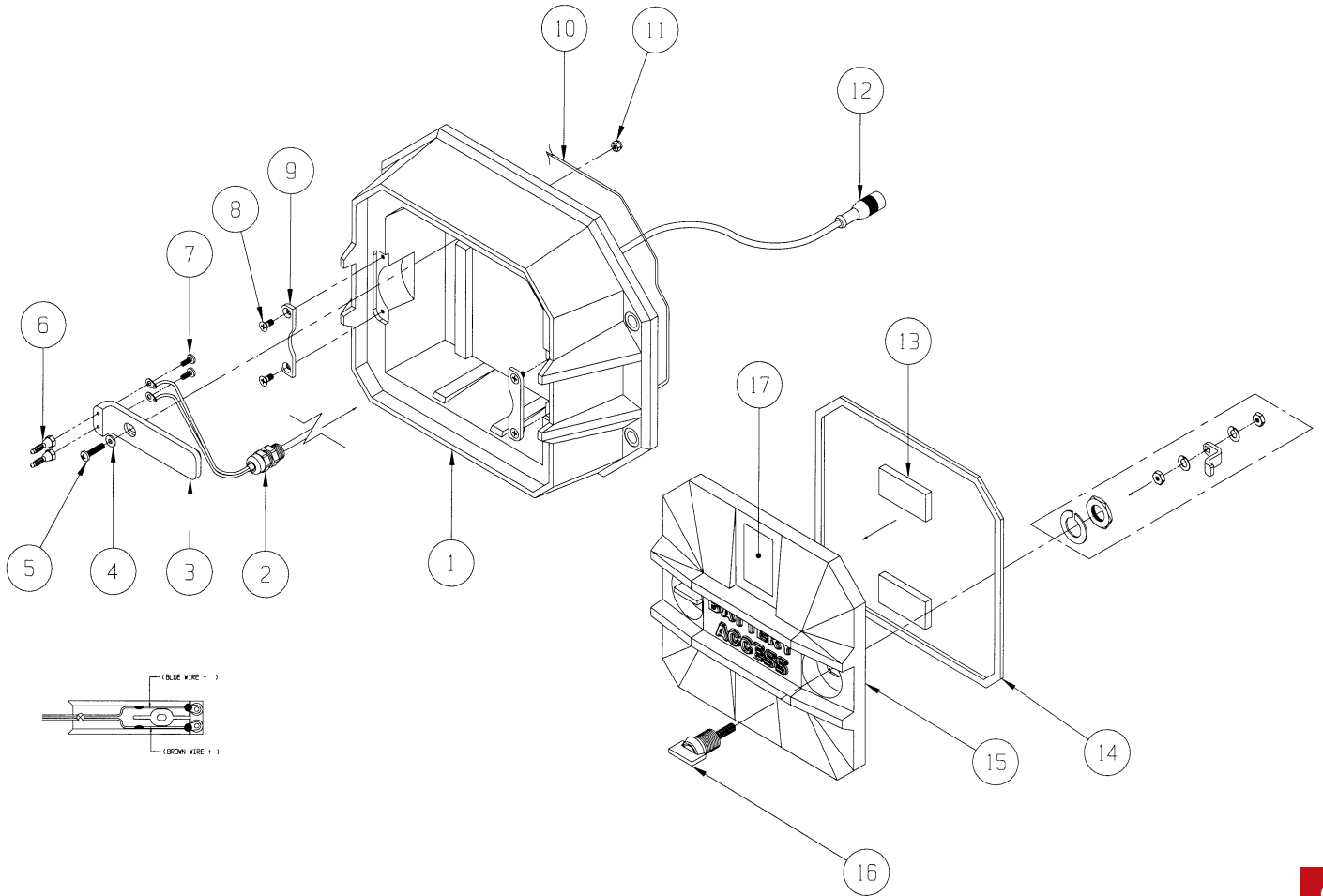
Part Number/Price

Item #	Part #	Description	Price
1	148878	Casting	\$455.00
2	141593	Connector, feed through, with nut	\$7.00
3	150073	Connector, battery	\$26.00
4	55124	Washer flat #6, stainless steel	\$1.00
5	127036	Screw, pan head, 6-32 x 3/4, Phillips, stainless steel	\$3.00
6	147825	Plug, banana	\$12.00
7	146603	Screw, pan head, 6-32 x 3/8, Phillips, stainless steel	\$1.00
8	54356	Screw, flat head, 8-32 x 3/8, Phillips, stainless steel	\$2.00
9	148857	Plate, catch battery door	\$51.00
10	147996	O-Ring	\$19.00
11	146627	Nut, hex, 6-32, Nyloc, stainless steel	\$0.75
12	137755	Cable assembly battery	\$160.00
13	148882	Pad, 1 x 2.25 with adhesive	\$2.00
14	148858	Gasket, casting door	\$14.00
15	148855	Casting	\$280.00
16	143883	Latch, compression 1/4 to 3/8	\$46.00
17	137803	Label, warning	\$38.00
*	137757	Door assembly	\$410.00
*	137754	Rear well assembly	\$935.00

REPLACEMENT PARTS

MSI-9300

Battery Casting Assembly



REPLACEMENT PARTS

MSI-9300

Universal Battery Charger



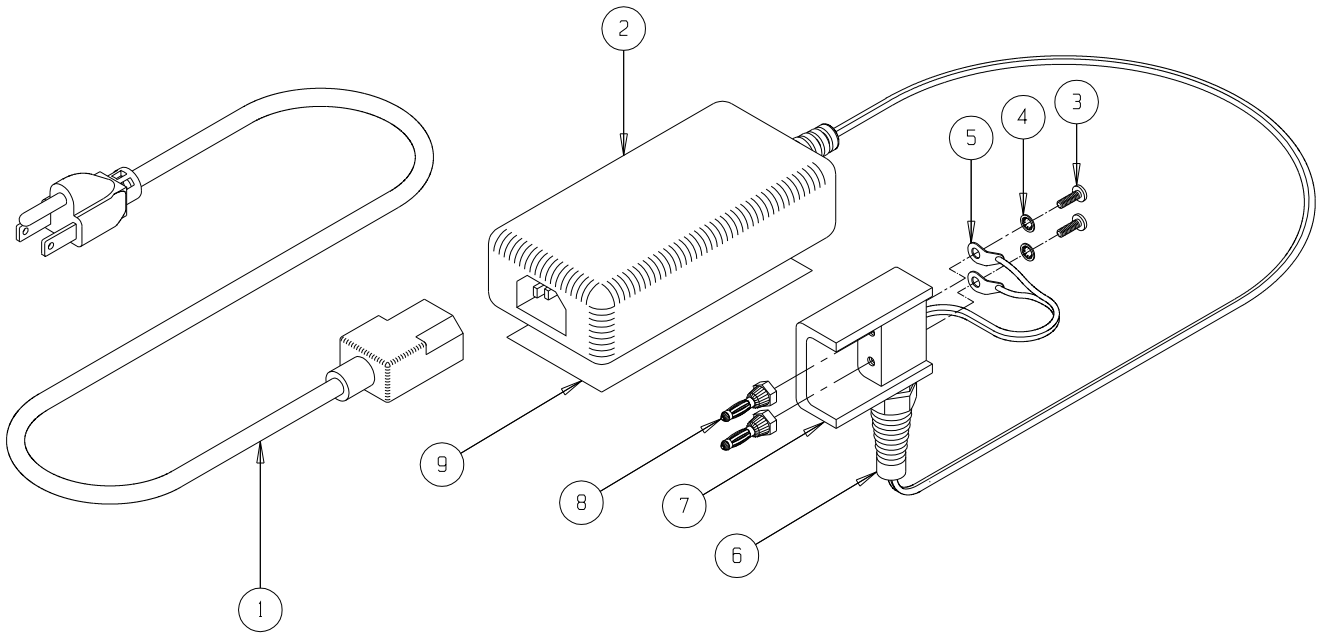
Part Number/Price

Item #	Part #	Description	Price
1	143974	Power cord, North America	\$34.00
1	143981	Power cord, United Kingdom (not shown)	\$76.00
1	143979	Power cord, European (not shown)	\$65.00
1	143980	Power cord, Australian (not shown)	\$76.00
2	144890	Universal power adapter	\$150.00
3	146603	Screw, RH 6-32 x 3/8, Std., stainless steel	\$1.00
4	81280	Washer internal tooth #6, stainless steel	\$1.00
5	141635	Lug, solder #6, copper	\$2.00
6	144936	Feed through	\$6.75
7	149434	Housing battery plug	\$46.00
8	147825	Plug, banana	\$12.00
9	139369	Label, descriptive 12V	\$14.00
	138006	Universal battery charger 115/230 VAC, 50/60 Hz (North American plug configuration is standard; contact factory if alternate is required)	\$345.00

REPLACEMENT PARTS

MSI-9300

Universal Battery Charger



REPLACEMENT PARTS

MSI-9600HT

Front Casting Assembly



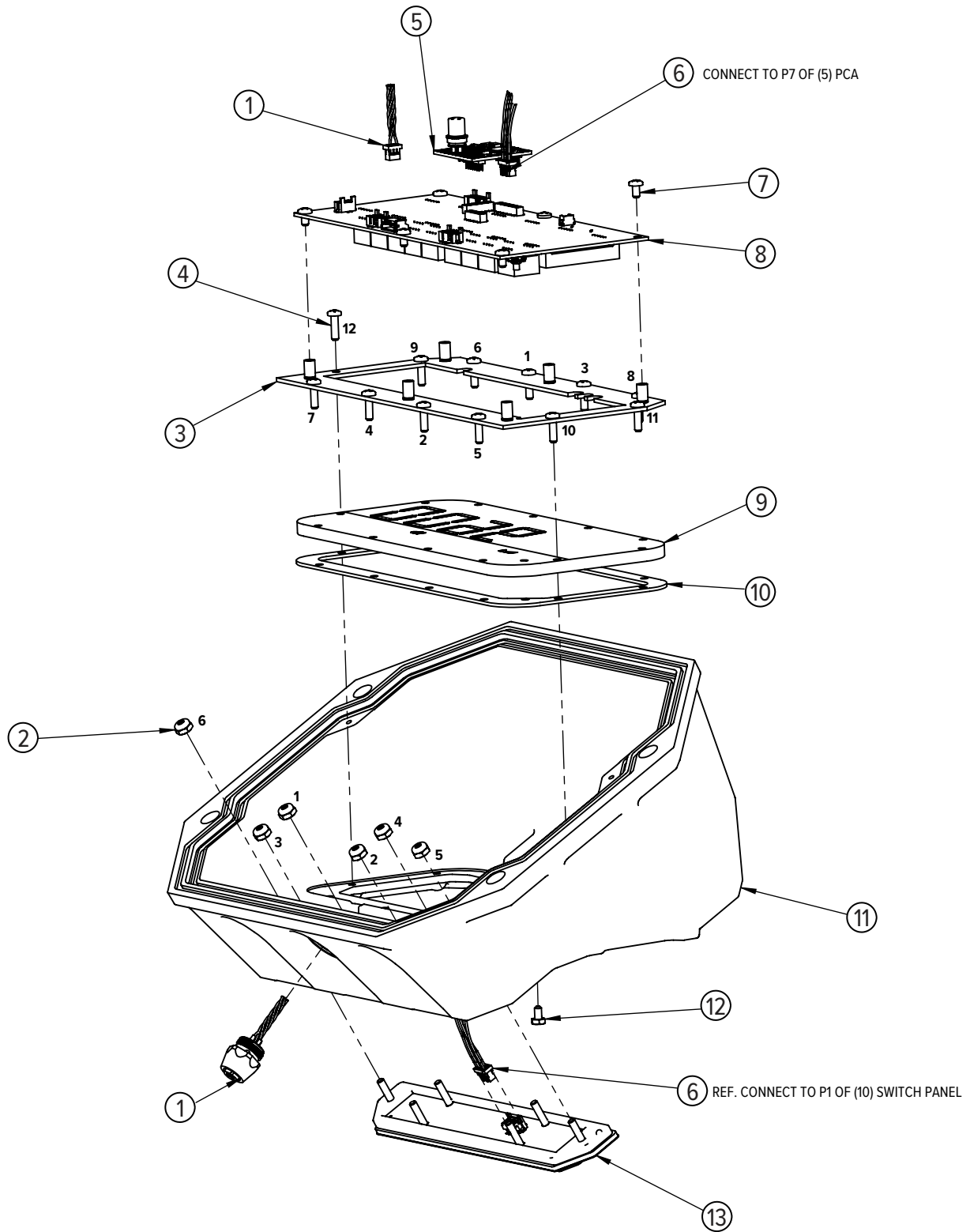
Part Number/Price

Item #	Part #	Description	Price
1	139449	Cable assembly, communication serial data RS-232	\$56.00
2	128445	Nut, hex 6-32 nyloc stainless steel	\$1.00
3	213965	Bracket, display PCA	Consult
4	216445	Screw, pan head 6-32 x 1/2 Phillips head zinc plated torx drive	\$0.50
5	153429	PCA ScaleCore3 1 channel with turck insert - controlled	\$280.00
6	214142	Cable assembly switch	\$29.00
7	144537	Screw, lkg pch pan head 6-32 x 1/4 Phillips stainless steel	\$1.00
8	212425	PCA LED display	\$690.00
9	213973	Window, ND gray	Consult
10	214763	Gasket, display window	Consult
11	213628	Casting front machined	\$420.00
12	142574	Screw hex head stainless steel blk 6-32 1/4	\$4.20
13	213678	Switch panel assembly	\$215.00

REPLACEMENT PARTS

MSI-9600HT

Front Casting Assembly



REPLACEMENT PARTS

MSI-9600HT

Bulkhead Assembly



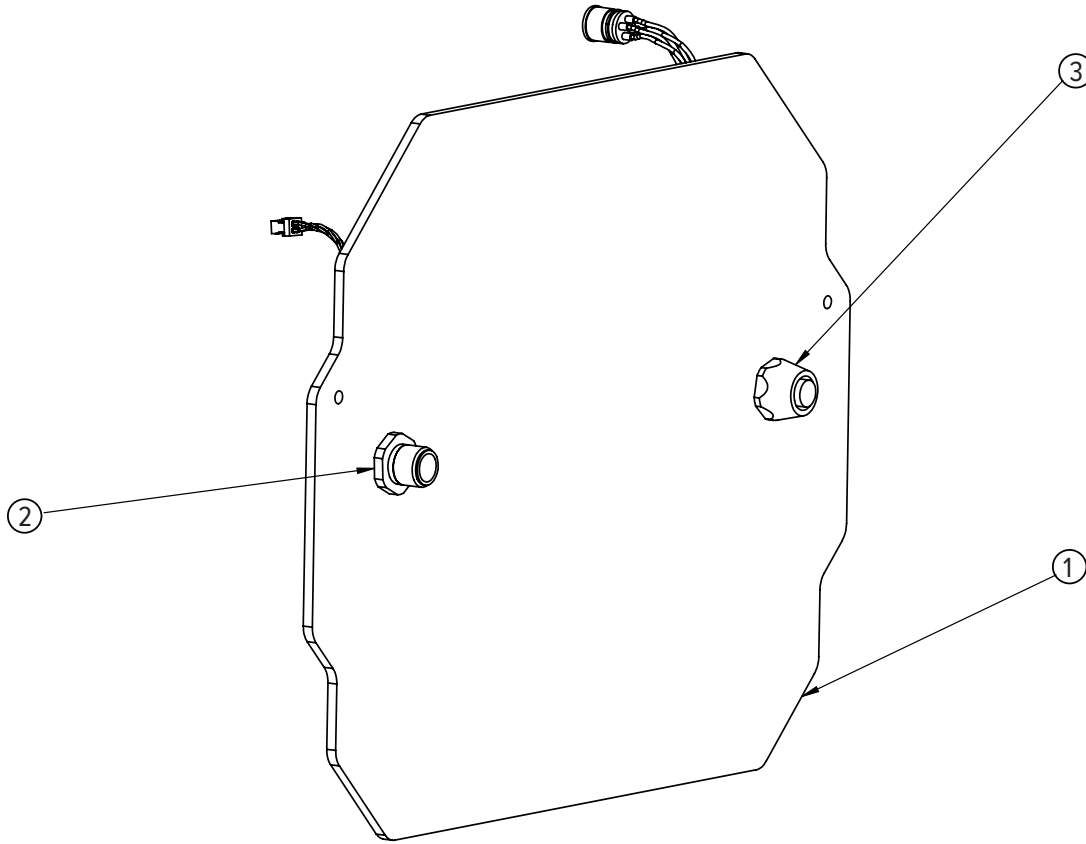
Part Number/Price

Item #	Part #	Description	Price
1	214089	Bulkhead front casting	Consult
2	139472	Cable assembly, bulkhead power 12.0 in	\$49.00
3	139471	Cable assembly, bulkhead load cell 12.0 in	\$66.00

REPLACEMENT PARTS

MSI-9600HT

Bulkhead Assembly



REPLACEMENT PARTS

MSI-9600HT

Mid-section Assembly 10,000 lb



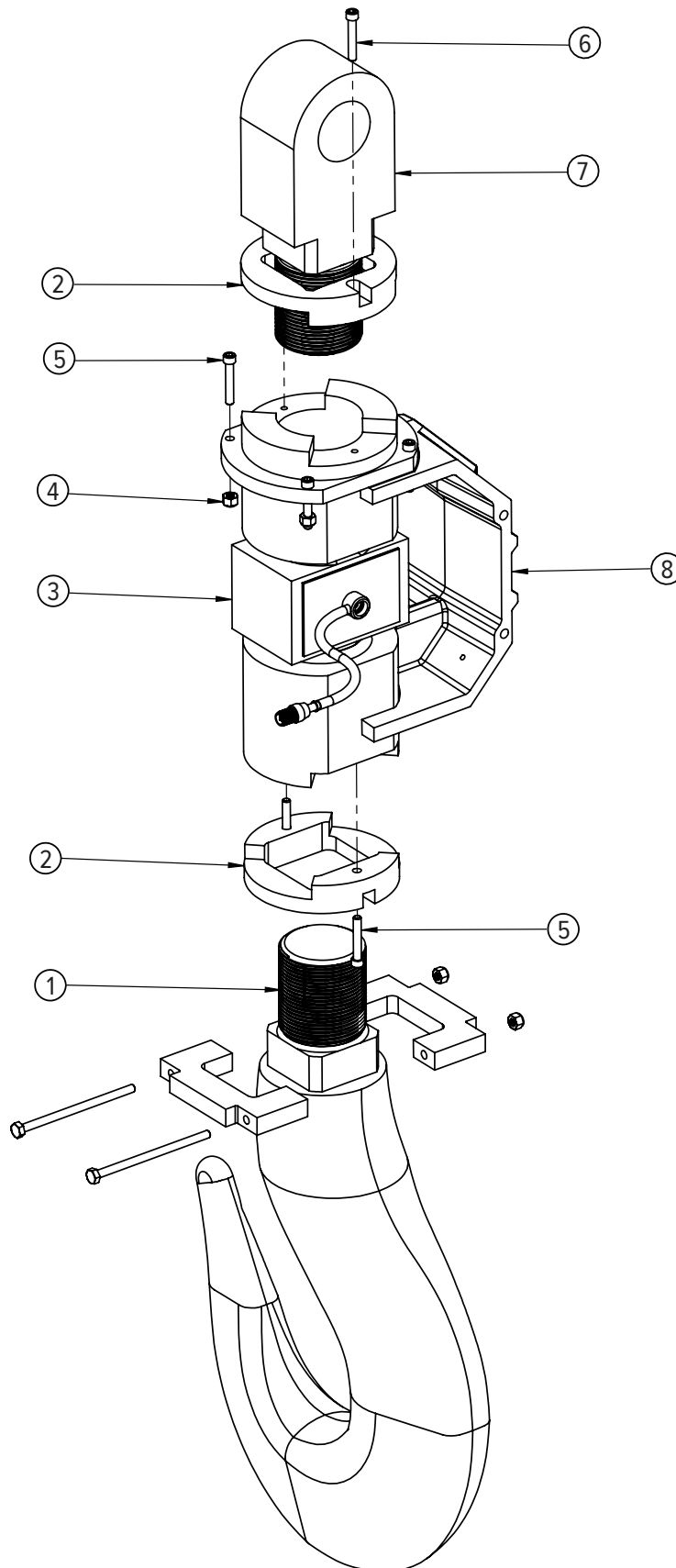
Part Number/Price

Item #	Part #	Description	Price
1	138220	Hook, machined, torque	\$1,600.00
2	148994	Collar, torque resistant	\$485.00
3	138147	Load cell assembly, torque	\$3,180.00
4	109955	Screw, socket head, 1/4-20 x 3/4, stainless steel	\$1.00
5	148995	Lug, upper, torque	\$1,460.00
6	148964	Casting, mid-section, machined	\$635.00
Not Shown	143233	Latch, safety kit	\$42.00

REPLACEMENT PARTS

MSI-9600HT

Mid-section Assembly 10,000 lb



REPLACEMENT PARTS

MSI-9600HT

Mid-section Assembly 30,000 lb



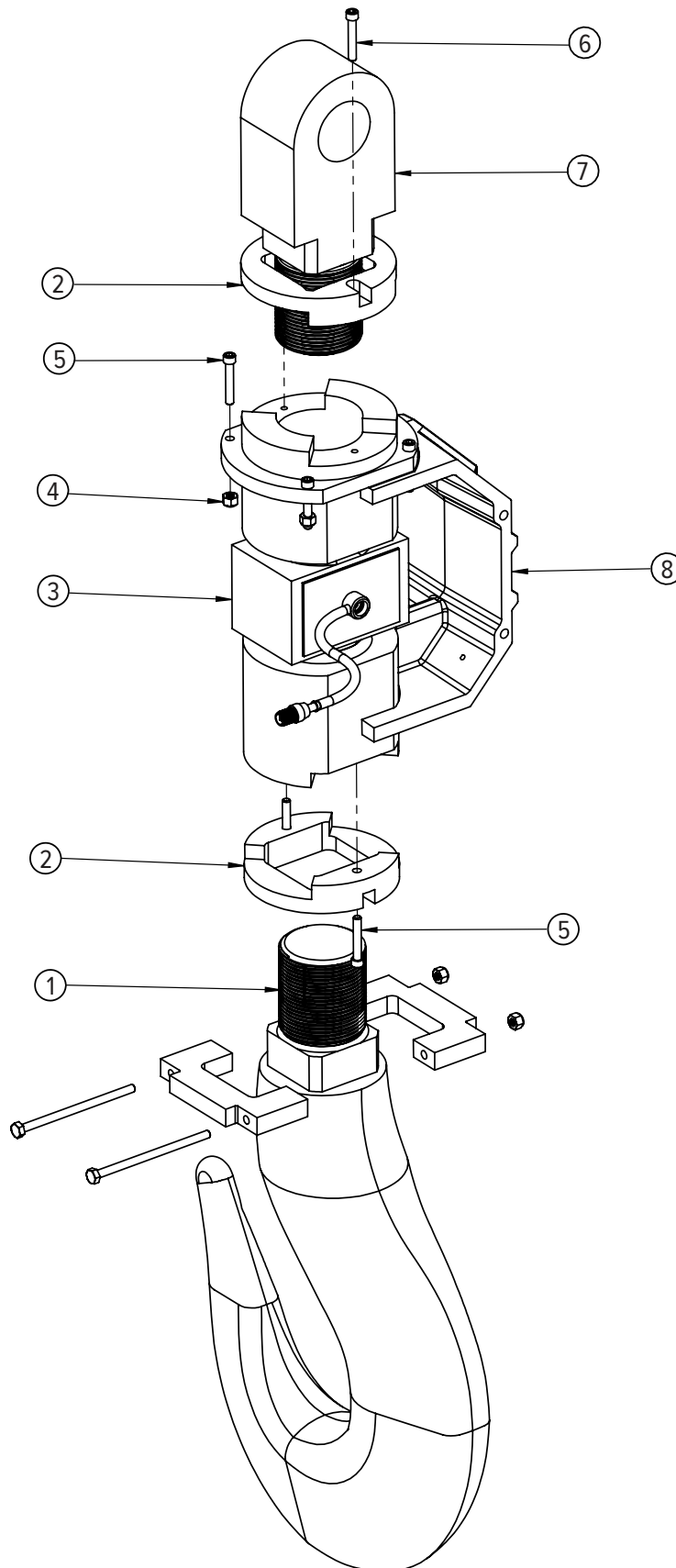
Part Number/Price

Item #	Part #	Description	Price
1	137813	Hook, machined, torque	\$2,410.00
2	148865	Collar, torque resistant	\$595.00
3	138145	Load cell assembly, torque	\$4,360.00
4	109955	Screw, socket head, 1/4-20 x 3/4, stainless steel	\$1.00
5	149037	Lug, 30K torque resistant	\$1,900.00
6	148963	Casting, mid-section, machined	\$635.00
Not Shown	143235	Latch, safety kit	\$115.00

REPLACEMENT PARTS

MSI-9600HT

Mid-section Assembly 30,000lb



REPLACEMENT PARTS

MSI-9600HT

Mid-section Assembly 70,000 lb



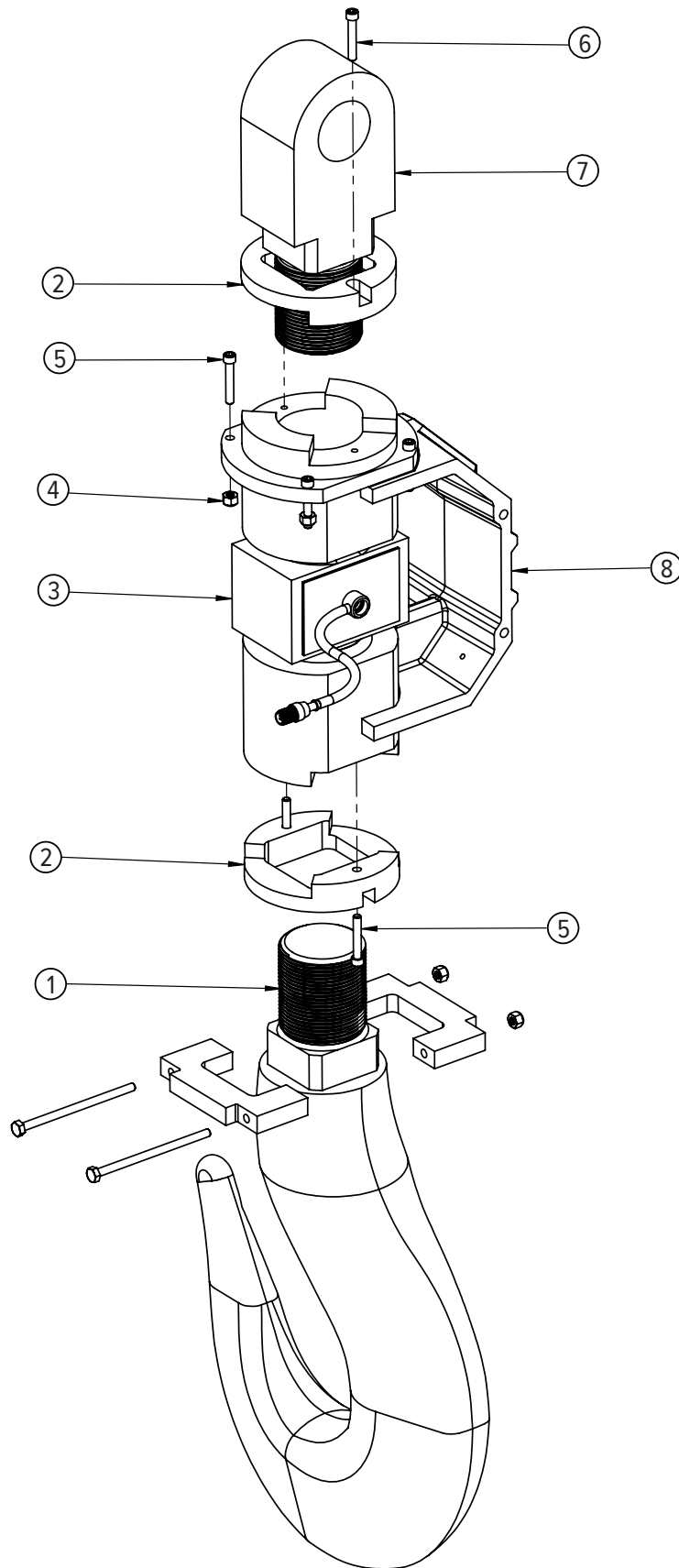
Part Number/Price

Item #	Part #	Description	Price
1	138142	Hook, machined, torque	Contact Factory
2	148960	Collar, torque resistant	\$645.00
3	138146	Load cell assembly, torque	\$4,700.00
4	146631	Nut, hex, 1/4-20 nyloc, stainless steel	\$2.10
5	117599	Screw, socket head, 1/4-20 × 1-1/2	\$1.75
6	109955	Screw, socket head, 1/4-20 × 3/4, stainless steel	\$1.00
7	149018	Lug, 70K torque resistant	\$1,860.00
8	138149	Casting, mid-section, machined	\$705.00
Not Shown	142180	Latch, safety kit	\$210.00

REPLACEMENT PARTS

MSI-9600HT

Mid-section Assembly 70,000lb



REPLACEMENT PARTS

MSI-9600HT

Back Assembly



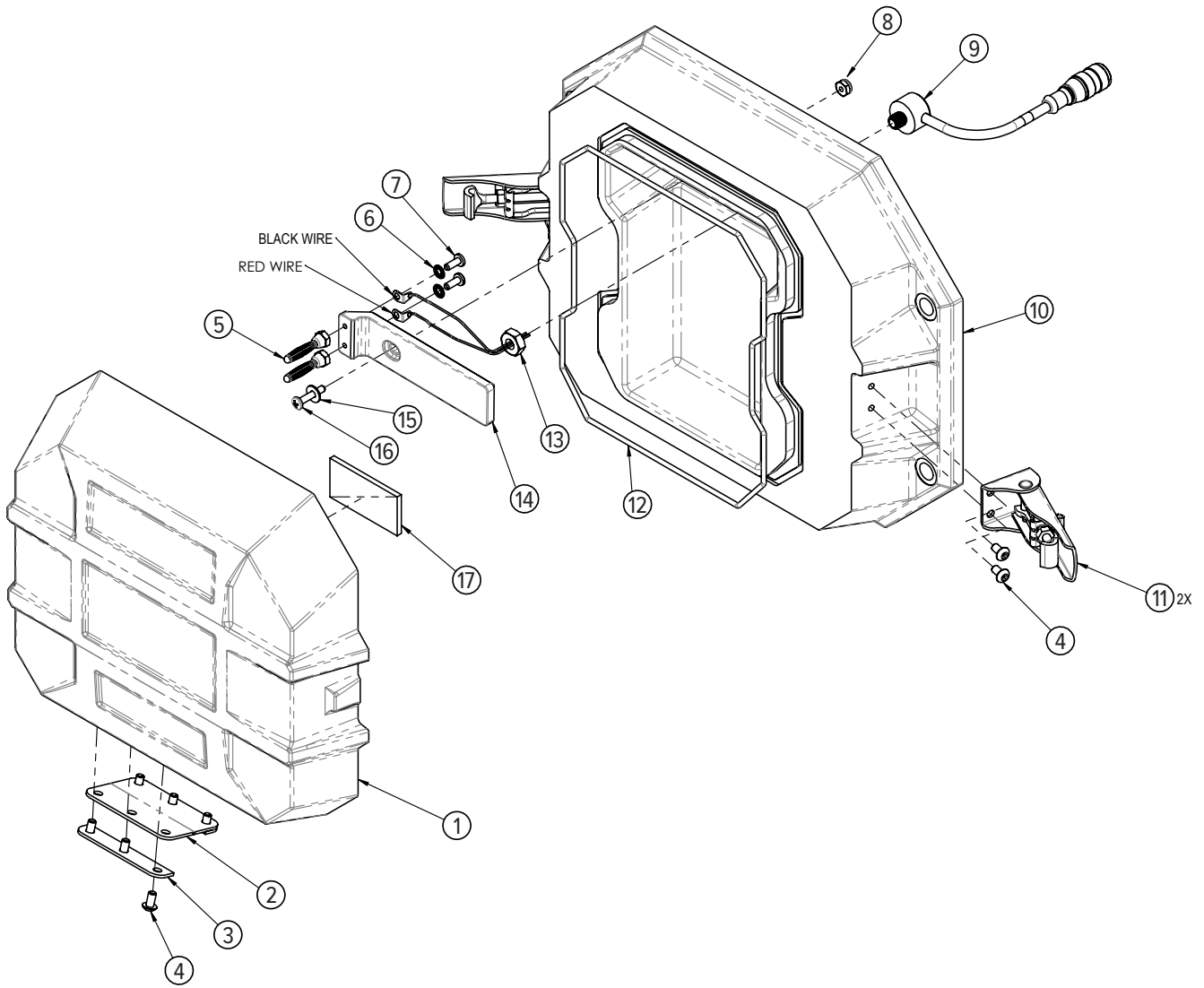
Part Number/Price

Item #	Part #	Description	Price
1	193557	Casting, rear cover, 12V, machined	\$290.00
2	149719	Fastener battery door	\$11.00
3	149718	Plate aluminum battery	\$14.00
4	213050	Screw, button head 8-32 x 5/16 stainless steel (T15) torx drive	\$2.00
5	147825	Plug banana jack	\$12.00
6	81280	Washer, lock no 6 type A	\$1.00
7	146603	Screw, pan head 6-32 x 3/8 Phillips stainless steel	\$1.00
8	146627	Nut, hex 6-32 nyloc stainless steel	\$1.00
9	214737	Cable assembly power 12 in	Consult
10	204844	Casting rear 12V SLA machined	\$420.00
11	145934	Latch camloc	\$40.00
12	149723	O-ring assembly batter well casting	\$14.00
13	146661	Nut, hex 5/16-18 jam stainless stell	\$2.25
14	169440	Connector block 12V battery casting intrinsically safe	Consult
15	55124	Washer, flat #6 cres	\$1.00
16	127036	Screw, 6-32 x 3/4 Phillips pan head 18-8 stainless steel	\$3.00
17	146640	Pad poron 2.0 x 1.0	\$3.25

REPLACEMENT PARTS

MSI-9600HT

Back Assembly



REPLACEMENT PARTS

MSI-6260CS

Front Casting Assembly



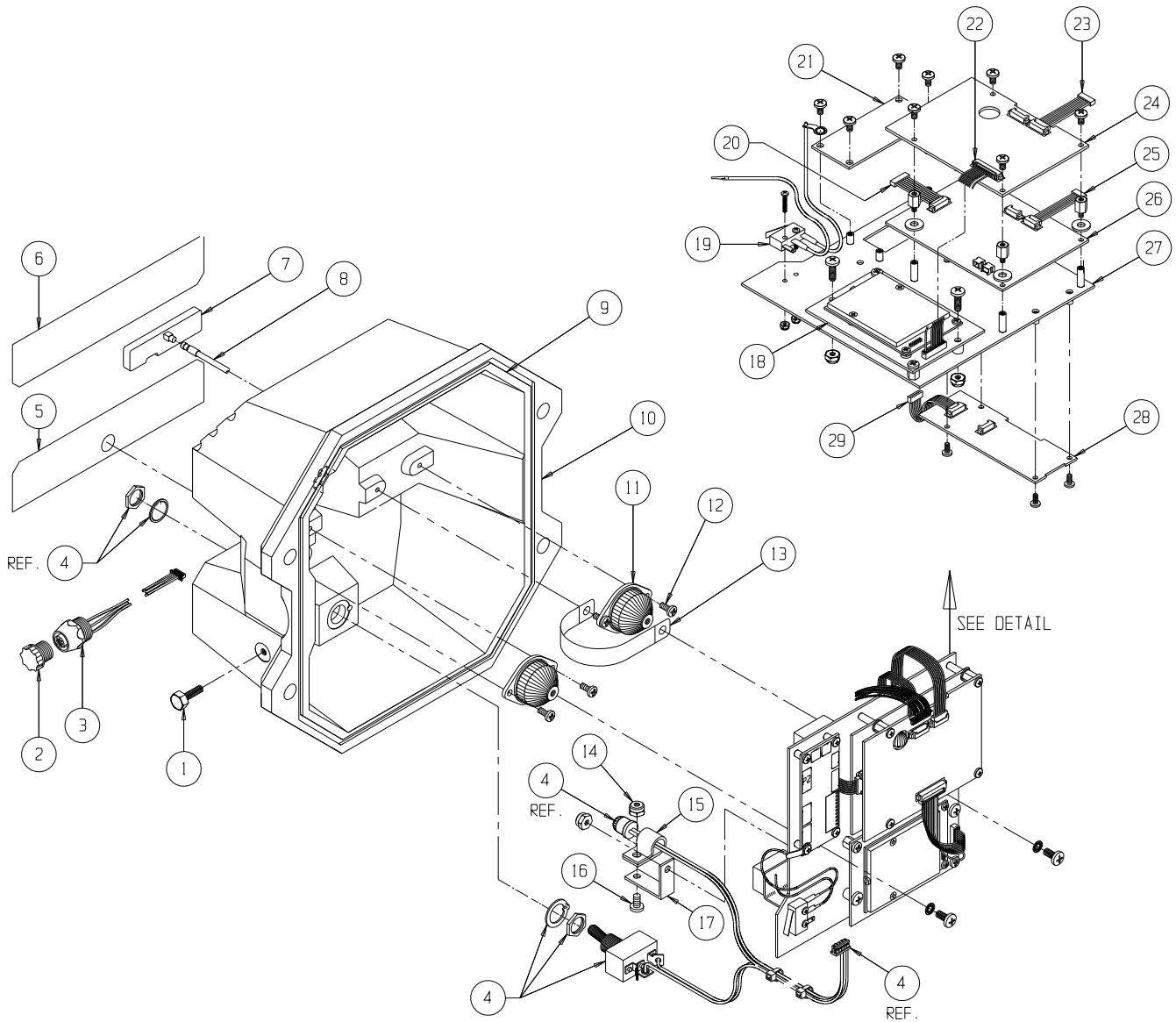
Part Number/Price

Item #	Part #	Description	Price
1	142591	Screw, seal, 8-32 x .4375 stainless steel	\$24.00
2	143352	Closure cap, connector, male	\$3.00
3	148733	Connector assembly, serial I/O interface	\$300.00
4	137819	Switch, LED assembly	\$235.00
5	148689	Label, descriptive	\$59.00
6	150094	Label, descriptive	\$26.00
7	143454	Antenna, 2.4 Ghz	\$110.00
8	148691	Cable assembly, RF antenna	\$170.00
9	149724	O-Ring	\$13.00
10	150421	Casting	\$455.00
11	143688	Shock mount	\$40.00
12	146602	Screw, 6-32 x 5/16 pan head, stainless steel	\$1.00
13	139844	Ground strap	\$13.00
14	146627	Nut, Hex, 8-32 nyloc, stainless steel	\$0.75
15	143075	Clamp, cable	\$2.00
16	146608	Screw, 8-32 x 7/16, pan head, stainless steel	\$0.50
17	143076	Bracket angel	\$26.00
18	138304	PCA with 2450 modem	\$675.00
19	138609	Cable assembly cal switch	\$51.00
20	148990	Cable assembly power supply to adapter	\$46.00
21	137519	PCA, connector adapter	\$235.00
22	149085	Cable assembly, micro-controller	\$73.00
23	148614	Cable assembly, A/D micro-controller	\$46.00
24	148547	PCA, micro-controller	\$605.00
25	148869	Cable assembly, A/D to power supply	\$33.00
26	148982	PCA, wide input power supply	\$455.00
27	148676	Mounting plate, electronic assembly	\$64.00
28	148548	PCA, high resolution A/D	\$400.00
29	148872	Cable assembly, A/D to adapter	\$86.00

REPLACEMENT PARTS

MSI-6260CS

Front Casting Assembly



REPLACEMENT PARTS

MSI-6260CS

Midsection Assembly (500 - 10,000 lb) (S-Beam Load Cells)



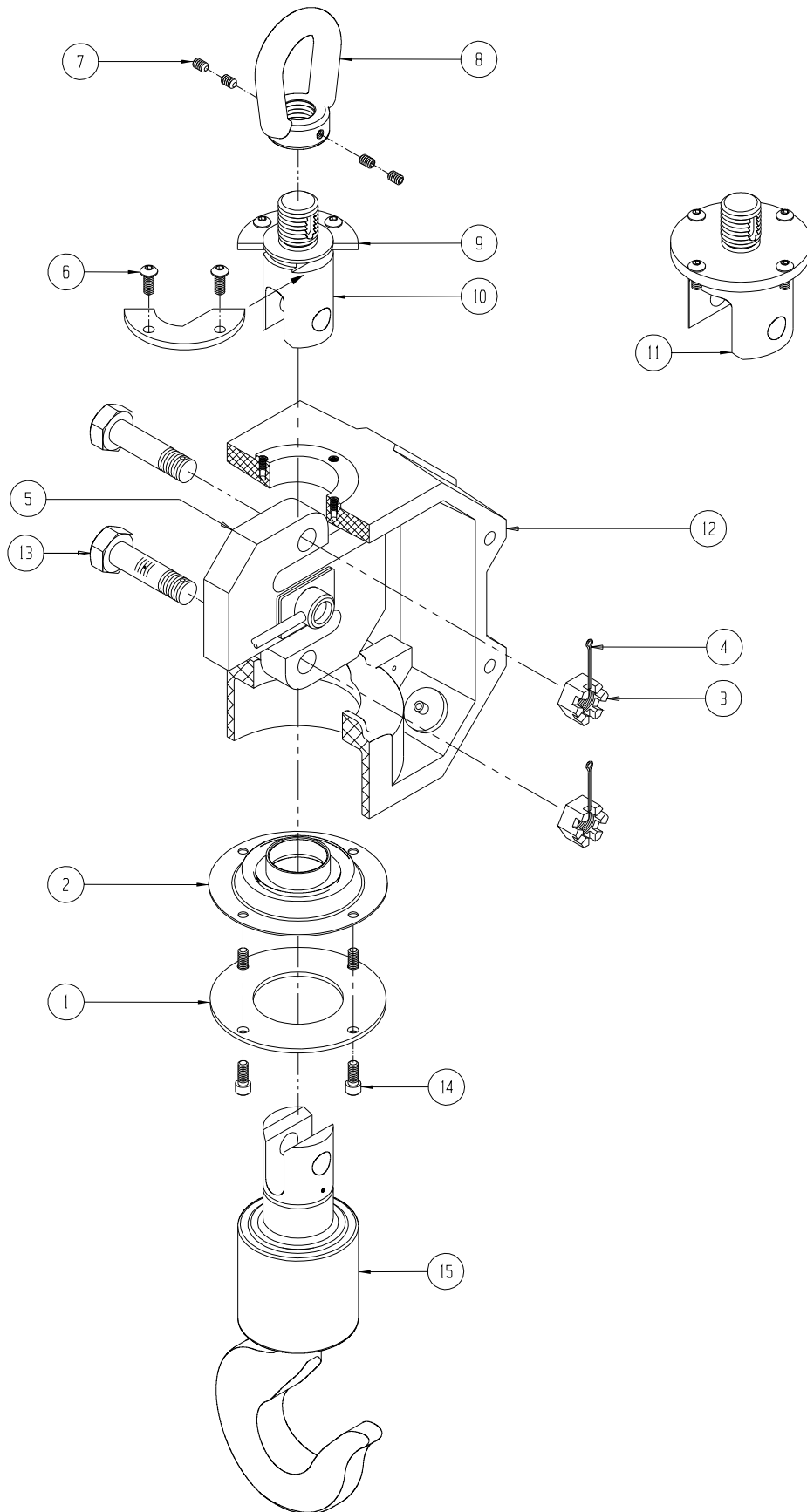
Part Number/Price

Item #	Part #	Description	Price
1	148259	Collar, 500/2K	\$49.00
1	149168	Collar, 5/10K	\$65.00
2	149710	Seal, 500/2K	\$49.00
2	149165	Seal, 5/10K	\$59.00
3	142832	Nut, hex	\$2.10
4	15238	Cotter pin	\$1.25
5	138665	Load cell assembly, 500	\$1,270.00
5	138666	Load cell assembly, 2K	\$1,270.00
5	138667	Load cell assembly, 5K	\$1,650.00
5	138668	Load cell assembly, 10K	\$1,780.00
6	72031	Screw, button head, 1/4-20 x 5/8, stainless steel	\$1.25
7	128799	Screw set, 1/4-20 x 3/8, stainless steel	\$1.00
8	139795	Eye nut, lifting, 500/2K	\$210.00
8	148225	Eye nut, lifting 5/10K	\$265.00
9	148274	Collar, top (2 pcs.)	\$40.00
10	148271	Link, upper, 500/2K	\$255.00
11	149126	Link, upper, 5/10K	\$435.00
12	150519	Casting, mid section, 500/2K	\$585.00
12	149175	Casting, mid section, 5/10K	\$355.00
13	148457	Bolt, clevis, 500/2K	\$26.00
13	149217	Bolt, clevis, 5/10K	\$34.00
Not Shown	144878	Washer, flat 5/8, must go with 5/10K bolt (4 places)	\$2.00
14	145990	Screw, socket head, 1/4-20 x 5/8, stainless steel	\$2.10
15	135043	Hook assembly, swivel, 500/2K	\$1,700.00
	143236	Latch, safety (fits 500787-0001 hook with hole)	\$26.00
15	134523	Hook assembly, swivel, 5/10K	\$1,380.00
	143233	Latch, safety (fits 500297-0001 hook with hole)	\$42.00

REPLACEMENT PARTS

MSI-6260CS

Midsection Assembly (500 - 10,000 lb) (S-Beam Load Cells)



REPLACEMENT PARTS

MSI-6260CS

Midsection Assembly (20 & 30,000 lb)



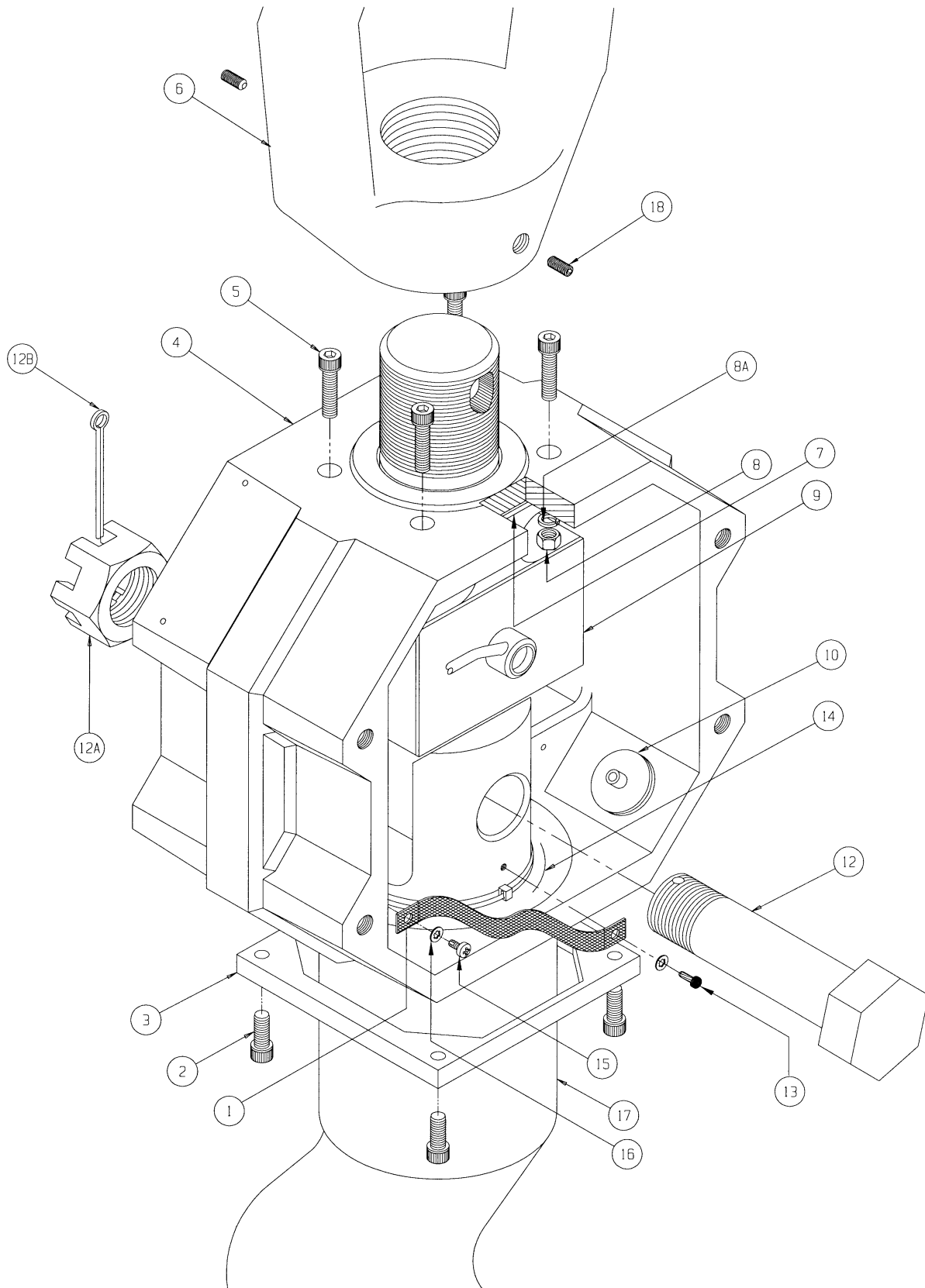
Part Number/Price

Item #	Part #	Description	Price
1	139843	Ground strap	\$14.00
2	145990	Screw, socket head, 1/4-20 x 5/8, stainless steel	\$2.10
3	149958	Collar, lower	\$140.00
4	150523	Casting	\$485.00
5	81405	Screw, socket head, 1/4-20 x 1, stainless steel	\$1.25
6	148110	Eye, lifting	\$635.00
7	149976	Seal, upper	\$5.25
8	14642	Nut, hex, 1/4-20, stainless steel	\$1.75
8A	15148	Washer split	\$1.25
9	134566	Load cell assembly	\$2,230.00
10	146322	Filter	\$9.50
12	148458	Bolt	\$86.00
12A	142833	Nut	\$11.50
12B	142186	Cotter pin	\$2.10
13	142110	Screw, drive, #6 x .25, stainless steel	\$1.00
14	149957	Seal, lower	\$86.00
15	146102	Screw, pan head, 6-32 x 1/4, Phillips, stainless steel	\$1.00
16	81280	Washer, internal tooth, #6, stainless steel	\$1.00
17	134938	Hook assembly, swivel 20,000 lb	\$2,790.00
	110661	Latch, safety (fits 500729-0001 hook with hole)	\$44.00
	142138	Latch, safety (fits 500729-0001 hook)	\$40.00
17	134939	Hook assembly, swivel 30,000 lb	\$3,620.00
	143235	Latch, safety (fits 500729-0002 hook with hole)	\$115.00
	142139	Latch, safety (fits 500729-0002 hook)	\$105.00
18	146081	Screw set, 3/8-24 x 3/4, stainless steel	\$2.10

REPLACEMENT PARTS

MSI-6260CS

Midsection Assembly (20 & 30,000 lb)



REPLACEMENT PARTS

MSI-6260CS

Midsection Assembly (50 & 70,000 lb)



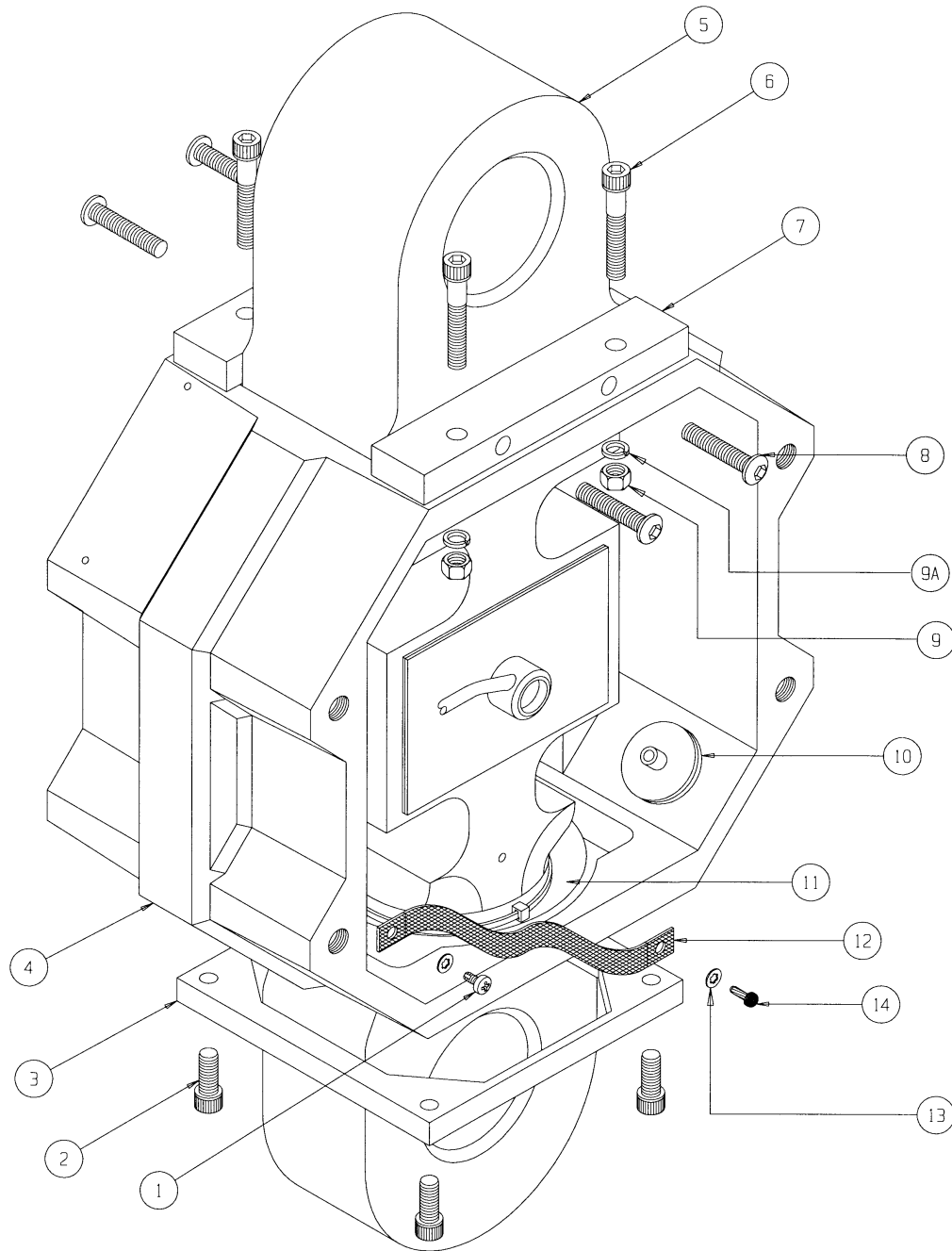
Part Number/Price

Item #	Part #	Description	Price
1	146102	Screw, pan head, 6-32 x 1/4, Phillips, stainless steel	\$1.00
2	145990	Screw, socket head, 1/4-20 x 5/8, stainless steel	\$2.10
3	149958	Collar	\$140.00
4	150525	Casting	\$515.00
5	134716	Load cell assembly	\$4,230.00
6	117599	Bolt, socket head, 1/4-20 x 1-1/2, stainless steel	\$1.75
7	148213	Collar	\$97.00
7	149964	Collar (pre 1992 only)	\$455.00
8	145982	Screw, button head, 1/4-20 x 1, stainless steel	\$2.10
9	14642	Nut, hex, 1/4-20, stainless steel	\$1.75
9A	15148	Washer split	\$1.25
10	146322	Filter	\$9.50
11	149957	Seal	\$86.00
12	139843	Ground strap	\$14.00
13	81280	Washer, internal tooth, #6, stainless steel	\$1.00
14	142110	Screw, drive, #6 x .25, stainless steel	\$1.00
Not Shown	151356	Shackle, 25T 50,000 lb	Consult
Not Shown	146335	Shackle, 40T 70,000 lb	Consult
Not Shown	135035	Hook, swivel, 50,000 lb	\$8,390.00
	142179	Latch, safety (fits 500782-0001 hook)	\$160.00
Not Shown	135036	Hook, swivel, 70,000 lb	\$11,750.00
	142180	Latch, safety (fits 500782-0002 hook)	\$210.00

REPLACEMENT PARTS

MSI-6260CS

Midsection Assembly (50 & 70,000 lb)



REPLACEMENT PARTS

MSI-6260CS

Battery Casting Assembly



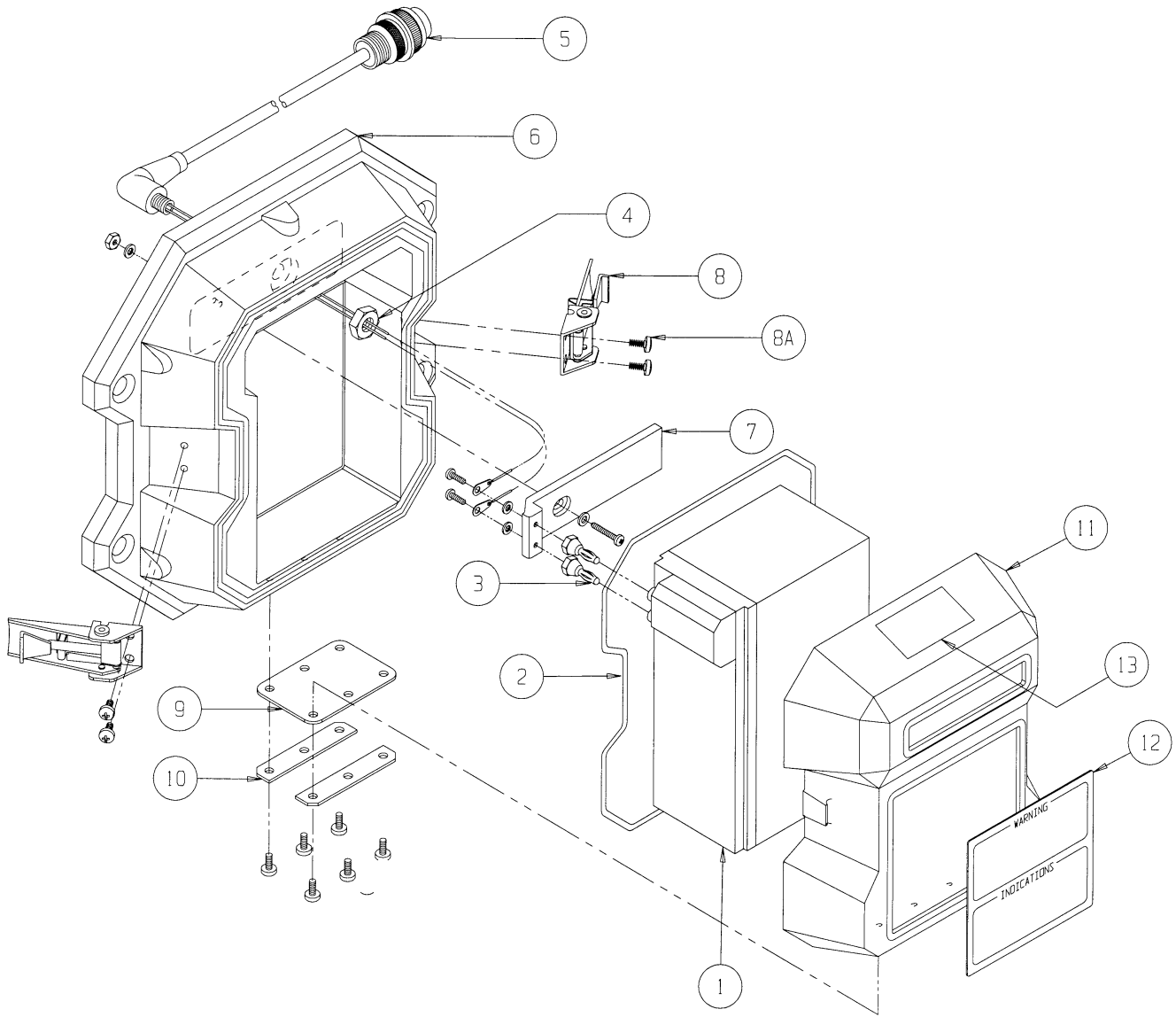
Part Number/Price

Item #	Part #	Description	Price
1	150367	Battery assembly	\$145.00
2	149723	O-Ring	\$14.00
3	147825	Plug, banana	\$12.00
4	114485	Nut, jam, 5/16-24, hex, stainless steel	\$1.00
5	133795	Cable assembly, power	\$200.00
6	150517	Casting	\$330.00
7	150073	Connector, battery	\$26.00
8A	146107	Screw	\$2.10
8	145934	Latch	\$40.00
9	149719	Hinge, rubber	\$11.00
10	149718	Plate, hinge	\$14.00
11	150516	Casting	\$97.00
12	137353	Label, RF battery warning, 2450 modem	\$20.00
12	137352	Label, RF battery warning, 2400 modem	\$19.00
13	137351	Label, FCC	\$20.00
14	145990	Screw socket head 1/4-20 x 5/8 stainless steel	\$2.10
Complete Battery Casting Assembly			
-	141254	Battery casting assembly	\$865.00
-	141100	Battery casting assembly, 115 or 230 VAC, 50/60 Hz	\$1,590.00

REPLACEMENT PARTS

MSI-6260CS

Battery Casting Assembly



REPLACEMENT PARTS

MSI-6260CS

Universal Battery Charger Assembly



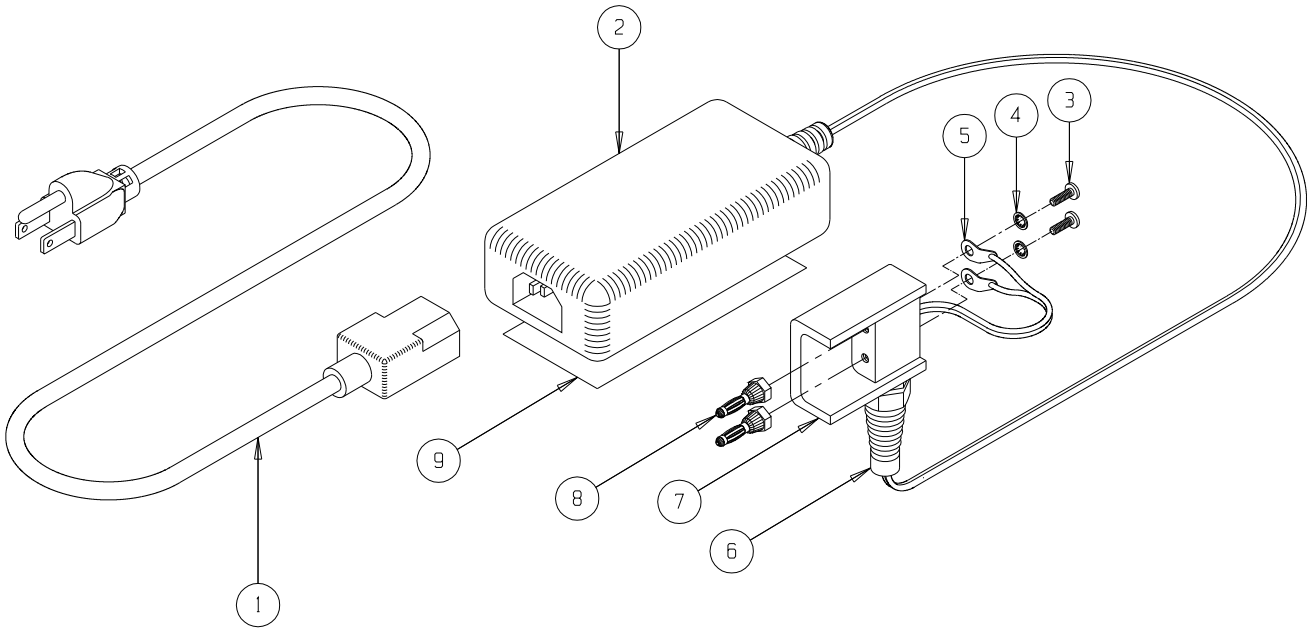
Part Number/Price

Item #	Part #	Description	Price
1	143974	Power cord, North America	\$34.00
1	143981	Power cord, United Kingdom (not shown)	\$76.00
1	143979	Power cord, European (not shown)	\$65.00
1	143980	Power cord, Australian (not shown)	\$76.00
2	144890	Universal power adapter	\$150.00
3	146603	Screw, pan head 6-32 x 3/8, Std., stainless steel	\$1.00
4	81280	Washer internal tooth #6, stainless steel	\$1.00
5	141635	Lug, solder #6, copper	\$2.00
6	144936	Feed through	\$6.75
7	149434	Housing battery plug	\$46.00
8	147825	Plug, banana	\$12.00
9	139369	Label, descriptive 12V	\$14.00
-	138006	Universal battery charger 115/230 VAC, 50/60 Hz (North American plug configuration is standard; contact factory if alternate is required)	\$345.00

REPLACEMENT PARTS

MSI-6260CS

Universal Battery Charger Assembly



REPLACEMENT PARTS

MSI-6360

Front Casting Assembly



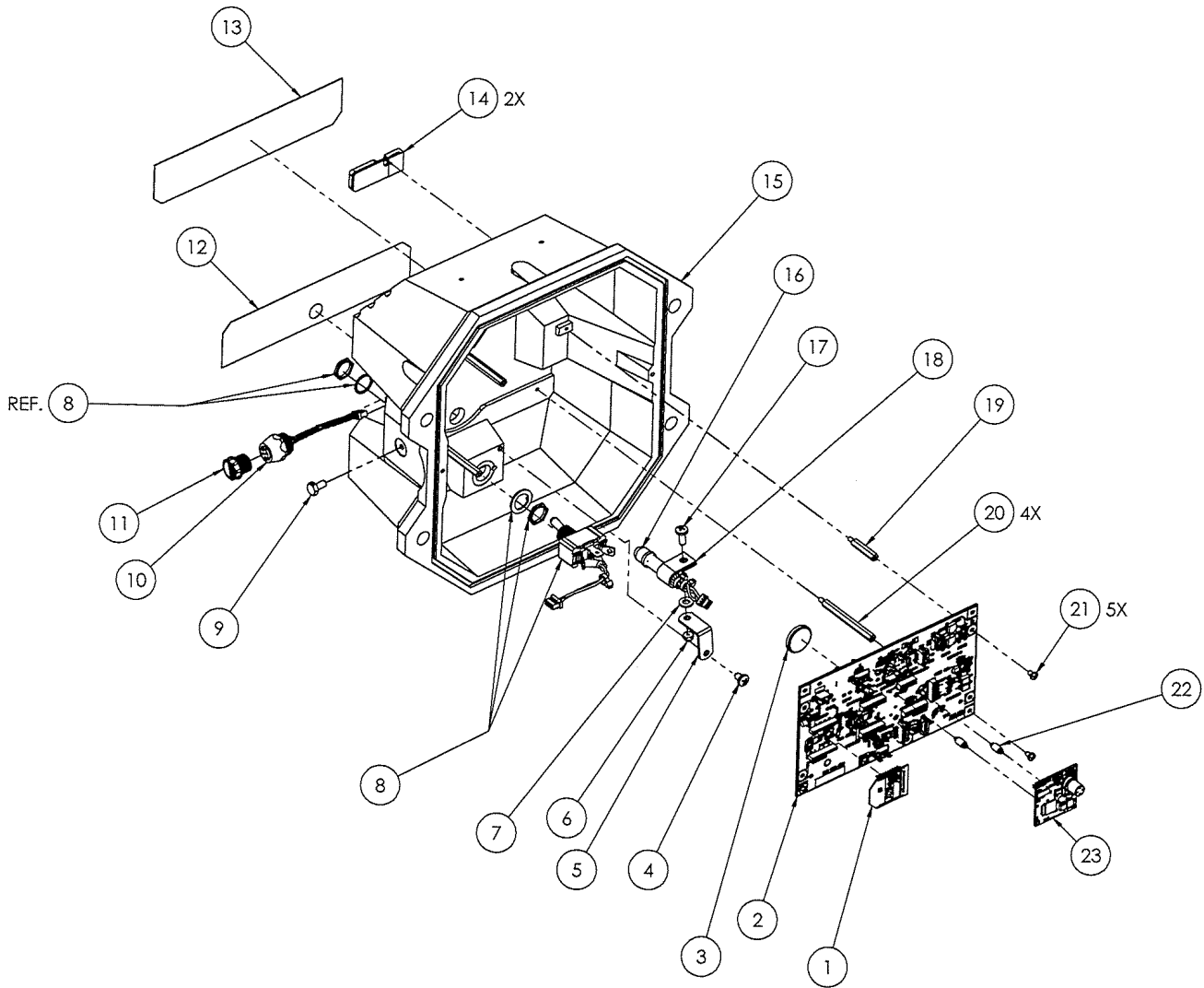
Part Number/Price

Item #	Part #	Description	Price
1	144773	Radio module Xbee-pro	\$136.50
2	212607	PCA 6360 no display	Consult
3	71408	Battery, lithium CR2032	\$6.00
4	146606	Screw pan head 8-32 x 1/4 stainless steel	\$0.75
5	215863	Bracket angle steel #8	\$25.00
6	146629	Nut, hex 8-32 nyloc stainless steel	\$0.50
7	146531	Washer flat #8 stainless steel	\$1.00
8	215842	Cable assembly, toggle switch	\$135.00
9	142591	Screw seal dr hh 8-32	\$24.00
10	139449	Cable assembly, comm serial	\$56.00
11	143352	Conn closure cap IP68	\$3.25
12	215973	LED/capacity label 6360	\$65.00
13	215948	Label descriptive 6360	\$40.00
14	201823	Antenna assembly 2.4GHz patch	\$37.00
15	215840	Front casting machined	\$345.00
16	215912	Cable assembly, red/green LED	\$202.00
17	146608	Screw pan head 8-32 x 7/16 Phillips	\$1.00
18	143075	Cable clamp .375 diameter	\$2.00
19	215938	Standoff 3/16 hex x 0.875	Consult
20	215935	Standoff 3/16 hex x 2.00	Consult
21	146593	Screw pan head 4-40 x 3/16 Phillips	\$1.00
22	144929	Spacer miniature dual	\$6.25
23	153429	PCS ScaleCore3 1-channel	\$280.00

REPLACEMENT PARTS

MSI-6360

Front Casting Assembly



REPLACEMENT PARTS

MSI-6360

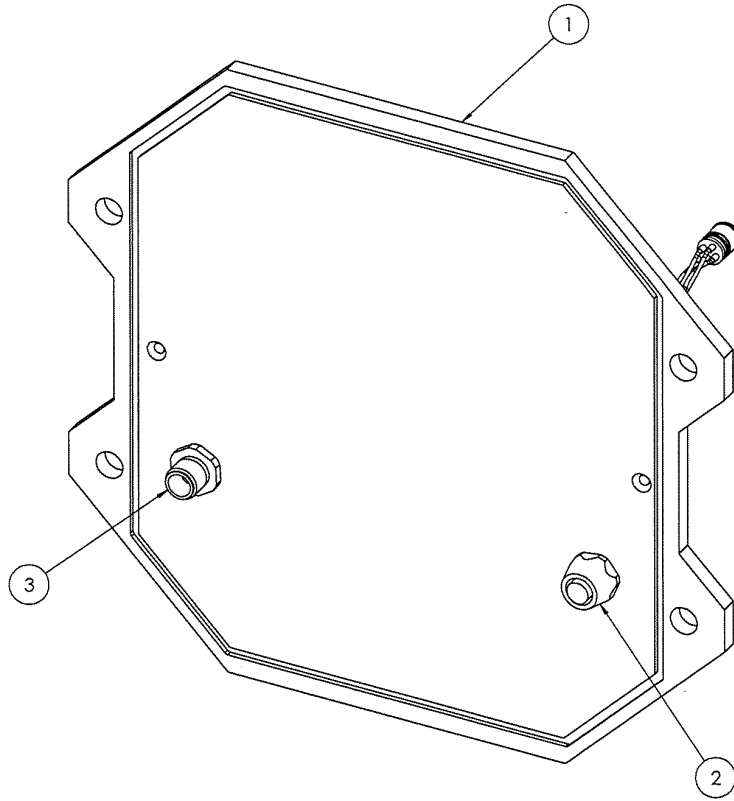
Bulkhead Assembly



Part Number/Price

Item #	Part #	Description	Price
1	215839	Front bulkhead	Consult
2	139471	Cable assembly, bulkhead load	\$66.00
3	139472	Cable assembly, bulkhead	\$49.00

REPLACEMENT PARTS



REPLACEMENT PARTS

MSI-6360

Midsection Assembly (500 - 10,000 lb)



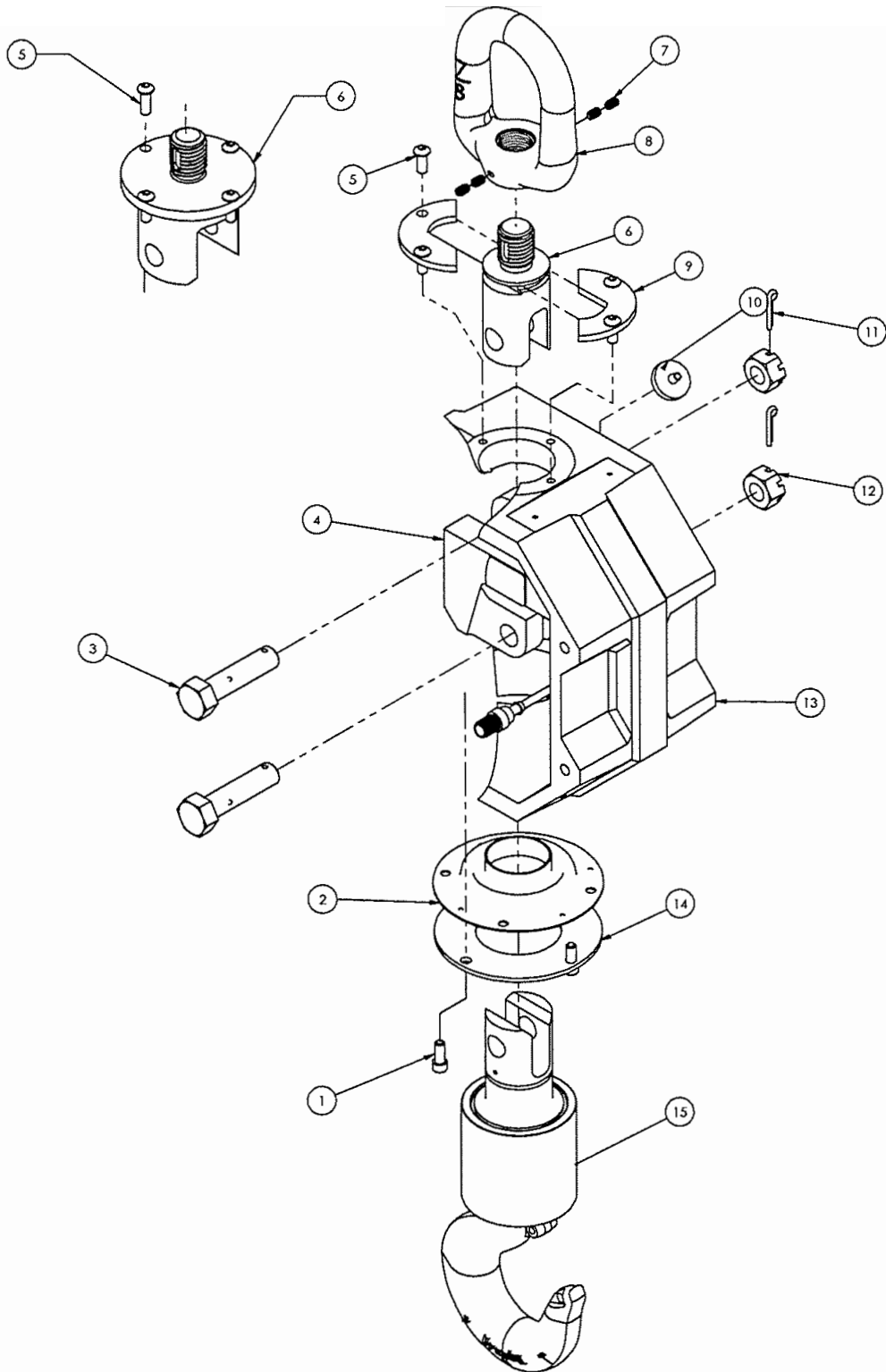
Part Number/Price

Item #	Part #	Description	Price
1	145990	Screw socket head 1/4-20 x 5/8 stainless steel	\$2.10
2	149710	Seal link lower (500 lb - 2K)	\$49.00
2	149165	Seal link lower (5 - 10K)	\$59.00
3	148457	Bolt clevis hex head 5/8 x 1.75 (500 lb - 2K)	\$26.00
3	149217	Bolt clevis hex head 5/8 x 1.75 (5 - 10K)	\$34.00
4	138661	Load cell assembly (500 lb)	\$1,270.00
4	138662	Load cell assembly (1 - 2K)	\$1,270.00
4	138663	Load cell assembly (5K)	\$1,650.00
4	138664	Load cell assembly (10K)	\$1,780.00
5	72031	Screw	\$1.25
6	148271	Upper link (500 lb - 2K)	\$255.00
6	149126	Upper link (5 - 10K)	\$435.00
7	128799	Screw, set 1/4-20 x 3/8	\$1.00
8	139795	Eye nut #7 (500 lb - 2K)	\$210.00
8	148225	Eye nut #7 (5 - 10K)	\$280.00
9	148274	Collar top half (500 lb - 2K)	\$40.00
10	146322	Filter millipore	\$9.50
11	15238	Cotter pin	\$1.25
12	142832	Nut hex slotted 5/8 - 11	\$2.10
13	150519	Casting (500 lb - 2K)	\$585.00
13	149175	Casting (5 - 10K)	\$355.00
14	148259	Collar (500 lb - 2K)	\$49.00
14	149168	Collar (5 - 10K)	\$65.00
15	135043	Swivel hook assembly (500 lb - 2K)	\$1,700.00
15	143236	Latch, safety (500 lb - 2K)	\$26.00
15	134523	Swivel hook assembly (5 - 10K)	\$1,380.00
15	143233	Latch, safety (5 - 10K)	\$42.00

REPLACEMENT PARTS

MSI-6360

Midsection Assembly (500 - 10,000 lb)



REPLACEMENT PARTS

MSI-6360

Midsection Assembly (20 & 30,000 lb)



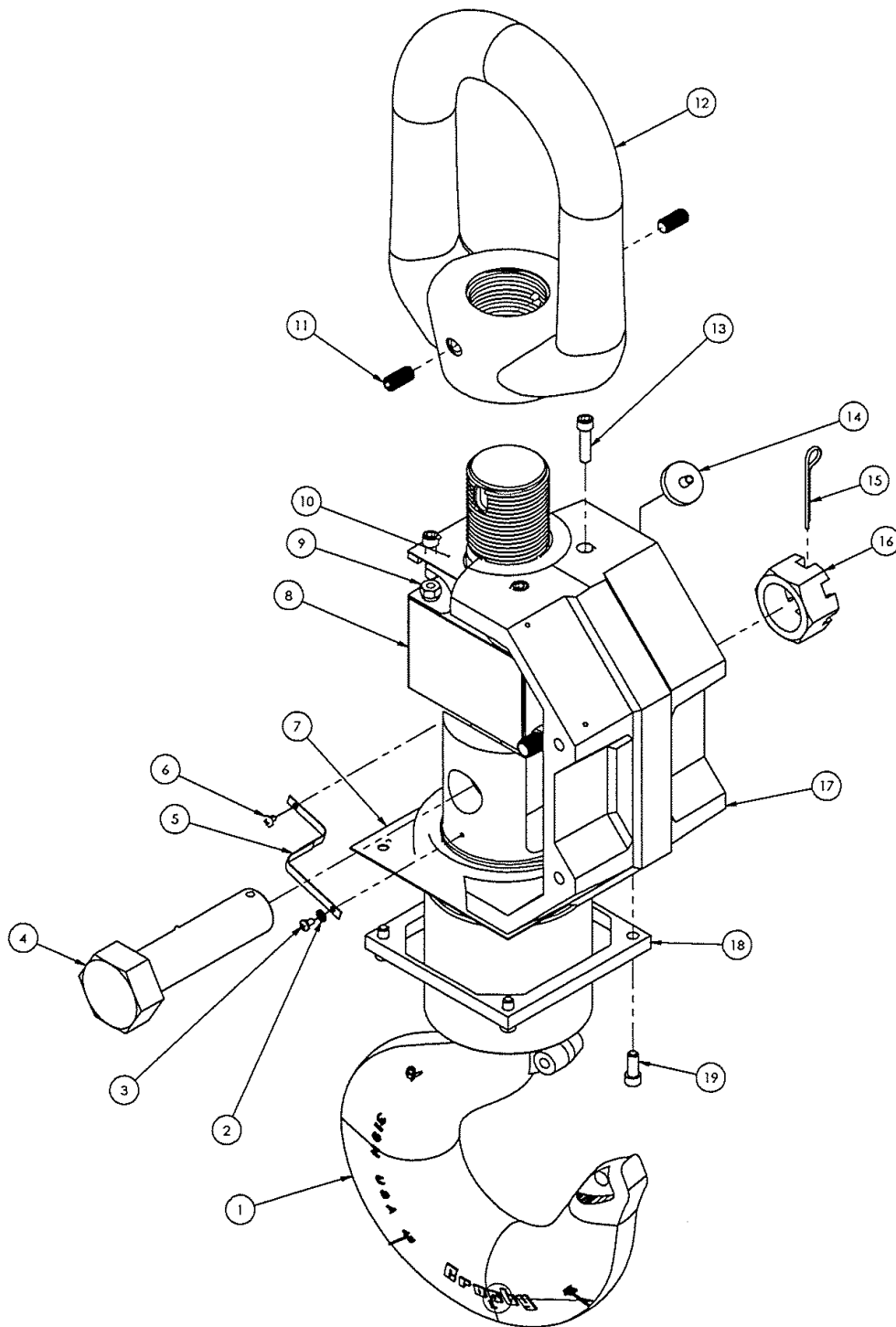
Part Number/Price

Item #	Part #	Description	Price
1	134938	Swivel hook assembly (20K)	\$2,790.00
1	134939	Swivel hook assembly (30K)	\$3,620.00
1	110661	Latch assembly (20K)	\$44.00
1	143235	Latch assembly (30K)	\$115.00
2	81280	Washer, lock no 6 type A	\$1.00
3	146601	Screw pan head 6-32 x 1/4 Phillips	\$1.00
4	148458	Bolt clevis hex head 1.125 - 7	\$86.00
5	139843	Ground strap cable	\$14.00
6	146101	Screw pan head 6-32 x 3/16 type	\$1.00
7	149957	Boot lower (20-70K)	\$86.00
8	137763	Load cell assembly (20/30K)	\$2,240.00
9	146631	Nut hex 1/4-20 nyloc stainless steel	\$2.10
10	149976	Gasket upper (20/30K)	\$5.25
11	146081	Screw set 3/8-24 x 3/4	\$2.10
12	148110	Eye nut (20/30K) galvanized	\$635.00
13	81405	Screw, socket head 1/4-20	\$1.25
14	146322	Filter millipore	\$9.50
15	142186	Cotter pin 3/16 x 2 stainless steel	\$2.10
16	142833	Nut hex slotted 1.125 - 7	\$11.50
17	150523	Mid-section machined	\$485.00
18	149958	Collar bottom (20 - 50K)	\$140.00
19	145990	Screw socket head 1/4-20 x 5/8 stainless steel	\$2.10

REPLACEMENT PARTS

MSI-6360

Midsection Assembly (20 & 30,000 lb)



REPLACEMENT PARTS

MSI-6360

Midsection Assembly (50 & 70,000 lb)



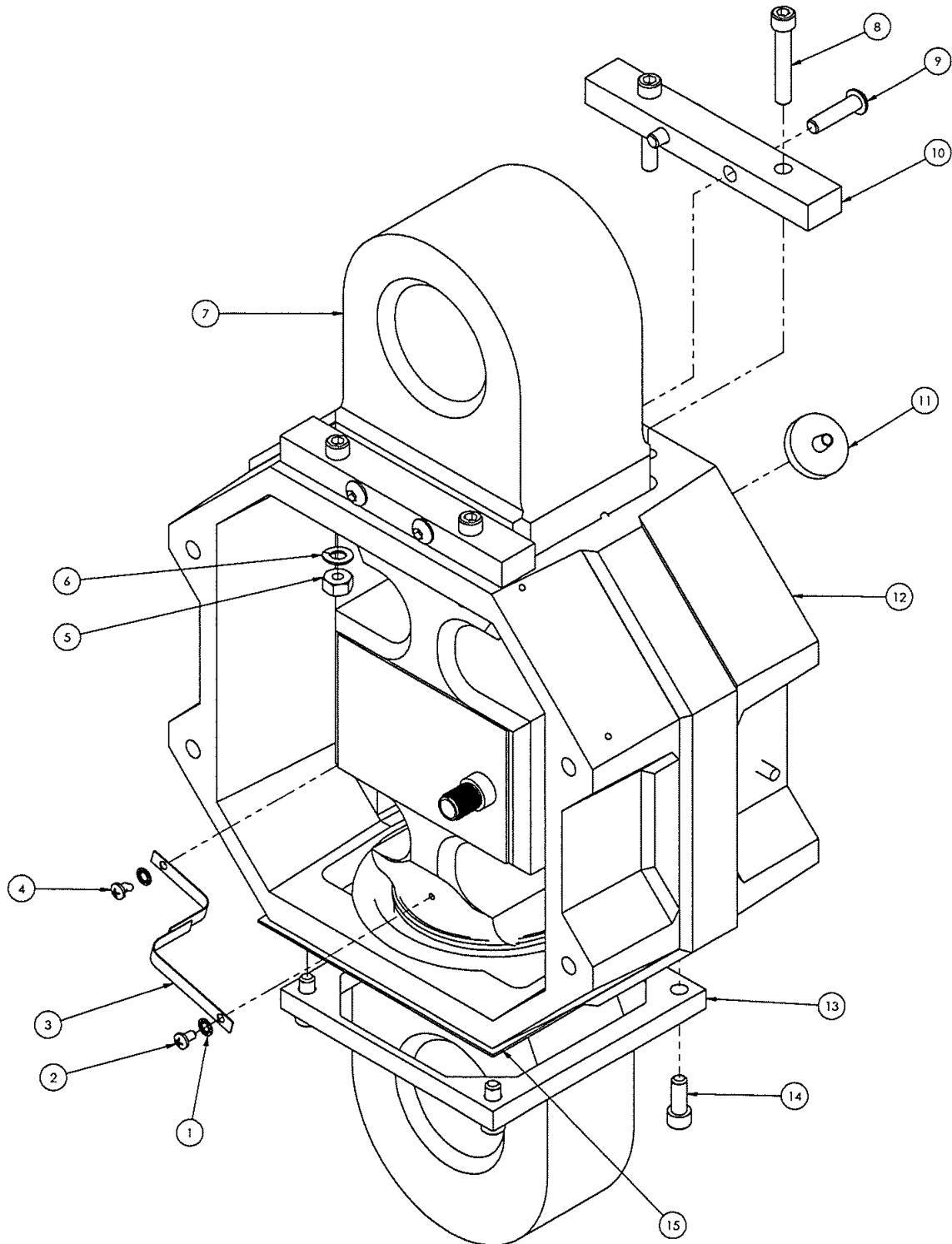
Part Number/Price

Item #	Part #	Description	Price
1	81280	Washer, lock no 6 type A	\$1.00
2	146601	Screw pan head 6-32 x 1/4 Phillips	\$1.00
3	139843	Ground strap cable	\$14.00
4	146101	Screw pan head 6-32 x 3/16 type	\$1.00
5	14642	Nut, 1/4-20NC hex stainless steel	\$1.75
6	15148	Washer, lock 1/4 regular	\$1.25
7	137764	Load cell assembly 50/70K	\$5,330.00
8	117599	Screw, cap 1/4-20NC x 1-1/2	\$1.75
9	145982	Screw button head 1/4-20 x 1 stainless steel	\$2.10
10	148213	Collar top 50/100K	\$97.00
11	146322	Filter millipore	\$9.50
12	150525	Mid-section machined	\$515.00
13	149958	Collar bottom 20-50K	\$140.00
14	145990	Screw slotted head 1/4-20 x 5/8 stainless steel	\$2.10
15	149957	Boot lower 20-70K	\$86.00
	135035	50K hook, swivel	\$8,390.00
	142179	50K latch	\$160.00
	135036	70K hook	\$11,750.00
	142180	70K latch	\$210.00
	151356	50K shackle 25 ton	Consult
	146335	70K shackle 40 ton	Consult

REPLACEMENT PARTS

MSI-6360

Midsection Assembly (50 & 70,000 lb)



REPLACEMENT PARTS

MSI-6360

Rear Battery Casting Assembly



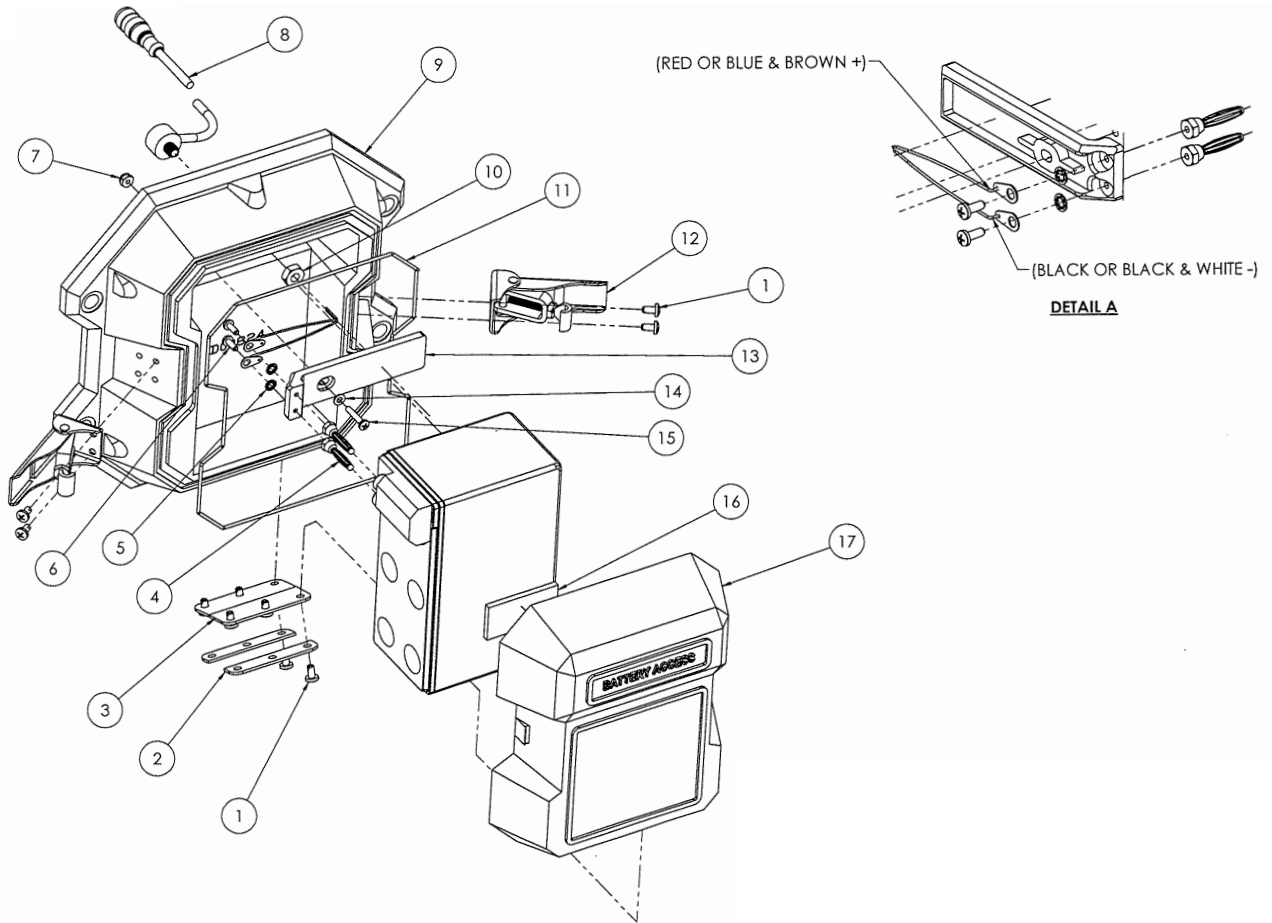
Part Number/Price

Item #	Part #	Description	Price
1	146108	Screw pan head 8-32 x 3/8 type	\$2.00
2	149718	Plate aluminum battery	\$14.00
3	149719	Fastener battery door	\$11.00
4	147825	Plug banana jack	\$12.00
5	81280	Washer, lock no 6 type A	\$1.00
6	146603	Screw pan head 6-32 x 3/8 Phillips	\$1.00
7	146627	Nut hex 6-32 nyloc stainless steel	\$1.00
8	133798	Cable assembly, power	\$150.00
9	150517	Battery well machined	\$330.00
10	146661	Nut hex 5/16-18 jam stainless steel	\$2.25
11	149723	O-ring assembly battery	\$14.00
12	145934	Latch camloc	\$40.00
13	150073	Conn block	\$26.00
14	55124	Washer, flat #6	\$1.00
15	127036	Screw, machine 6-32 x 3/4	\$3.00
16	146640	Pad poron 2.0 x 1.0	\$3.25
17	150516	Battery door machined	\$97.00

REPLACEMENT PARTS

MSI-6360

Rear Battery Casting Assembly



REPLACEMENT PARTS

MSI-7300 Dyna-Link

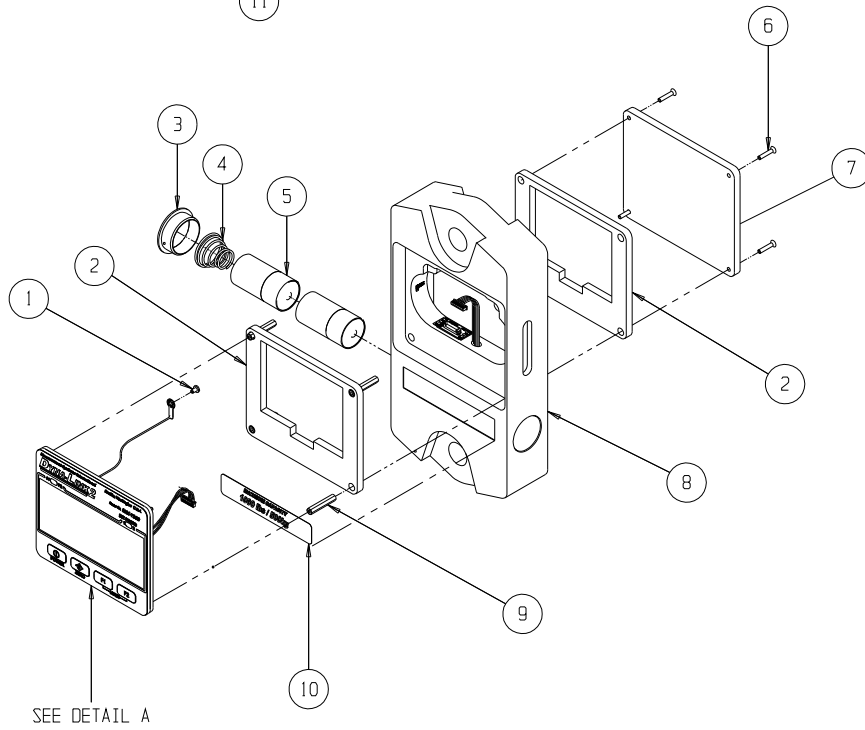
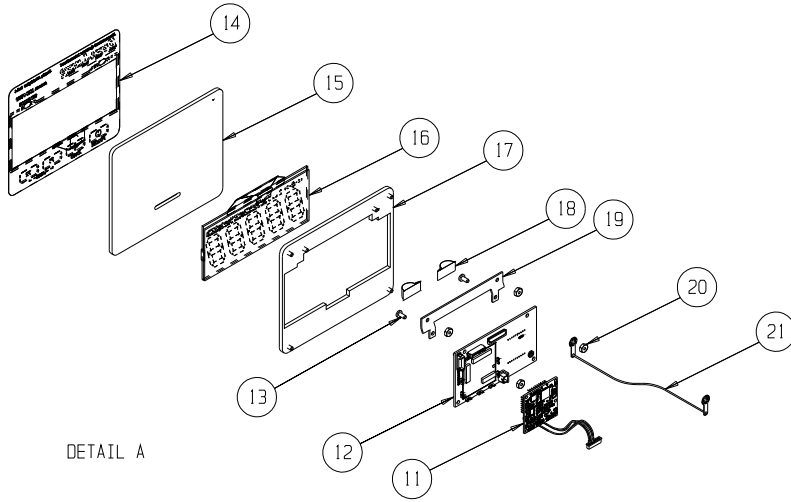
Standard Assembly



Part Number/Price

Item #	Part #	Description	Price
1	146593	Screw, pan head, 4-40 x 3/16, stainless steel	\$0.75
2	149340	Gasket, front	\$32.00
3	144709	Cap, 25, 50 and 100k capacities	\$49.00
3	144710	Cap, 1,2,5 and 10k capacities	\$32.00
4	144788	Spring, 25, 50 and 100k	\$6.50
4	144769	Spring, 1, 2, 5 and 10k	\$5.50
5	42741	Battery "D" cell alkaline	\$5.50
5	74619	Battery, "C" cell alkaline	\$3.00
6	193141	Screw, flat head, 4-40 x 1/2, Phillips, stainless steel	Consult
7	149381	Panel, back	\$60.00
8	139155	Load cell assembly, 1,000 lb	\$965.00
8	139156	Load cell assembly, 2,500 lb	\$965.00
8	139157	Load cell assembly, 5,000 lb	\$965.00
8	139158	Load cell assembly, 10,000 lb	\$1,160.00
8	139159	Load cell assembly, 25,000 lb	\$1,580.00
8	139160	Load cell assembly, 50,000 lb	\$2,120.00
8	139161	Load cell assembly, 100,000 lb	\$3,170.00
9	144789	Spacer, 1.062, 4-40, stainless steel	\$16.00
9	144790	Spacer, 1.312, 4-40, stainless steel	\$16.00
9	144791	Spacer, 1.812, 4-40, stainless steel	\$16.00
9	144792	Spacer, 2.562, 4-40, stainless steel	\$16.00
9	144758	Spacer, 2.00, 4-40, stainless steel	\$16.00
10	148022	Label, capacity, 1,000 lb	\$19.00
10	148029	Label, capacity, 2,500 lb	\$17.00
10	148024	Label, capacity, 5,000 lb	\$19.00
10	148025	Label, capacity, 10,000 lb	\$19.00
10	148026	Label, capacity, 25,000 lb	\$19.00
10	148027	Label, capacity, 50,000 lb	\$19.00
10	134160	Label, capacity, 100,000 lb	Consult
11	153431	PCA, Scalecore assembly	\$280.00
12	149290	PCA, display assembly	\$160.00
13	144536	Screw, pan head, 4-40 x 1/4, Phillips, stainless steel	\$1.00
14	149336	Label, descriptive	\$110.00
15	149339	Panel, front	\$25.00
16	149295	LCD	\$38.00
17	149338	Bezel, assembly	\$77.00
18	144991	Gasket	\$2.00
19	149460	Bracket, LCD	\$26.00
20	146542	Nut, hex 4-40, stainless steel	\$2.00
21	139407	Ground wire	\$5.50

REPLACEMENT PARTS



REPLACEMENT PARTS

Dyna-Clamp

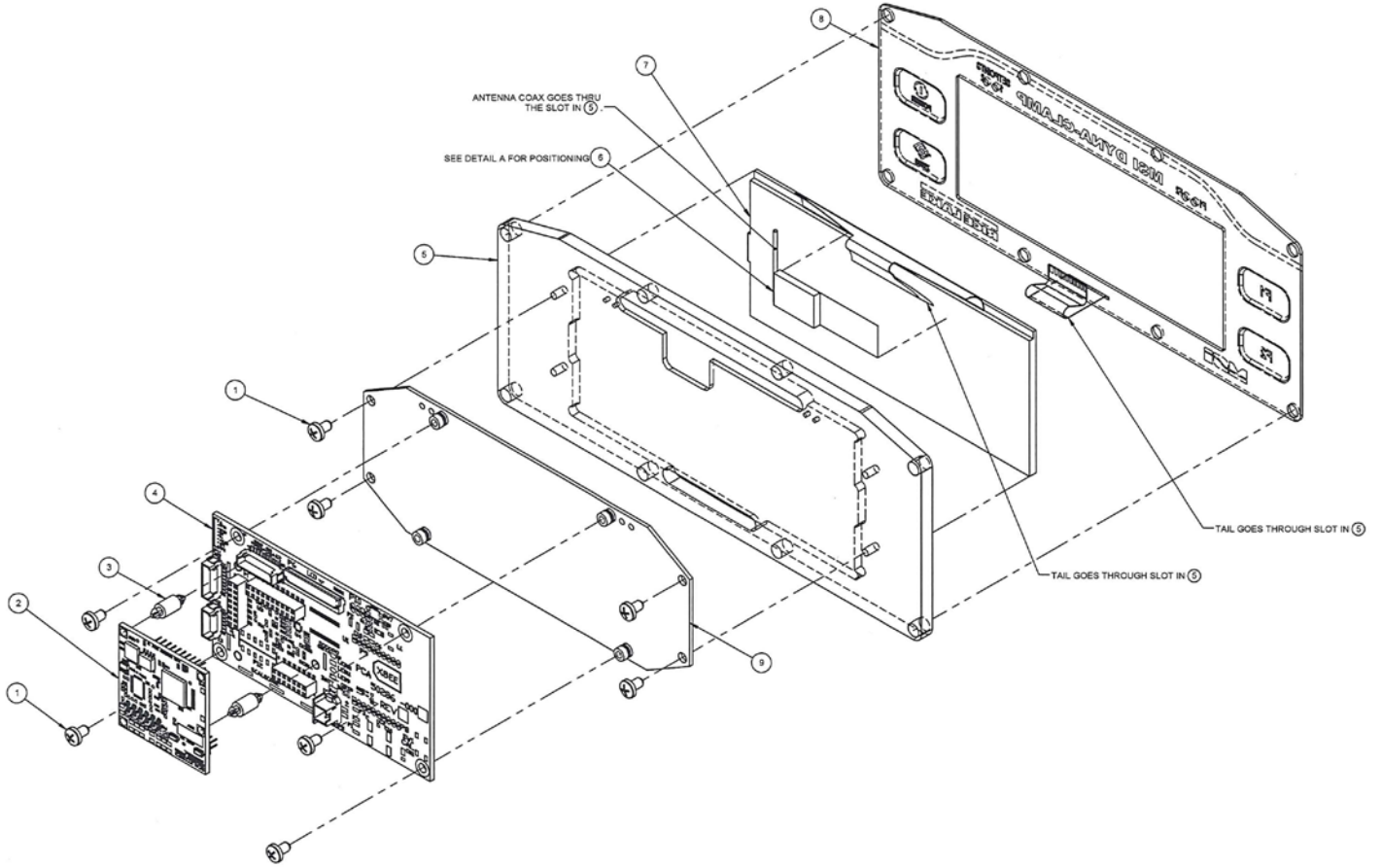
Display Assembly



Part Number/Price

Item #	Part #	Description	Price
1	142233	Screw, pan head, locking, 4-40 × 3/16, Phillips, stainless steel	\$2.25
2	153431	PCA scalecore 3 4-channel with board to board header (not field installable)	\$280.00
3	144929	Spacer miniature dual locking 6 mm long	\$6.25
4	151918	PCA 6-digit LCD 7300	\$650.00
5	189582	Front plate LCD mount	\$235.00
6	197204	Antenna, 2.4 GHz, 2dBi with u.fl cable, 100 mm	\$14.00
7	186658	LCD module dual line 4.5 × 2.0 in (6 primary display digits) line tension check lcd display	\$34.00
8	191640	Overlay with dome switches	\$145.00
9	191813	Mounting plate electronics	\$44.00

REPLACEMENT PARTS



REPLACEMENT PARTS

Dyna-Clamp

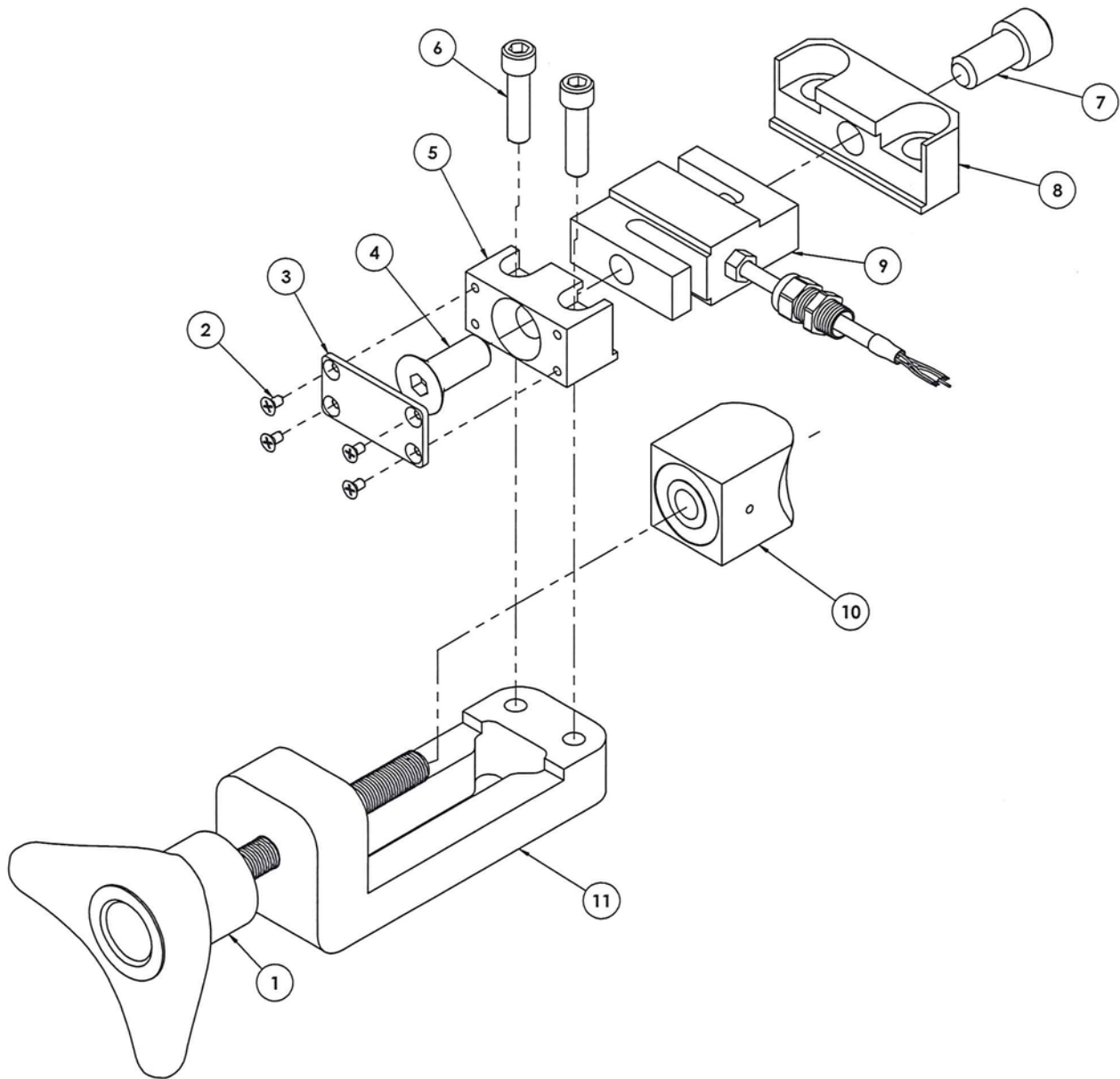
Rod Assembly



Part Number/Price

Item #	Part #	Description	Price
1	196441	Handle and drive rod assembly	\$355.00
2	146560	Screw flat head 6-32 x 1/4 Phillips stainless steel	\$1.00
3	192405	Striker plate	\$38.00
4	192718	Screw cap flat head 82 deg 1/2-20 unf x 1.25 lg hex drive alloy steel black oxide	\$3.00
5	191072	Lower load cell mount	\$180.00
6	192747	Screw socket head 5/16-18 uc x 1.25 lg alloy steel black oxide cap screw	\$2.00
7	192746	Screw socket head 1/2-20 unf x 1.00 lg alloy steel black oxide cap screw	\$5.00
8	191071	Upper load cell mount	\$195.00
9	192740	Load cell assembly 500 lb (not field installable)	Consult
10	193410	Drive rod end assembly	\$870.00
11	192416	Drive block	\$590.00

REPLACEMENT PARTS



REPLACEMENT PARTS

Dyna-Clamp

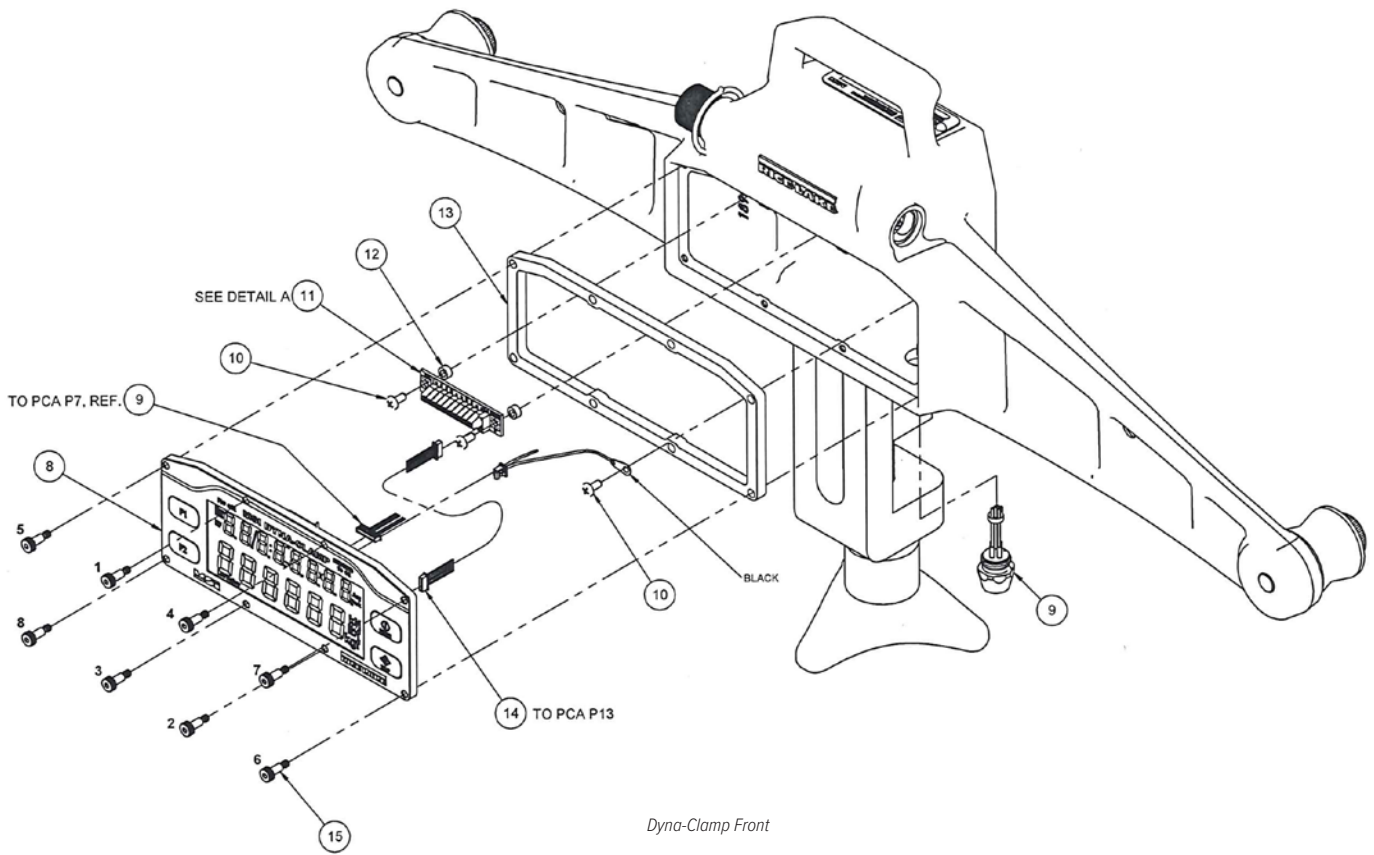
Front and Back Assembly



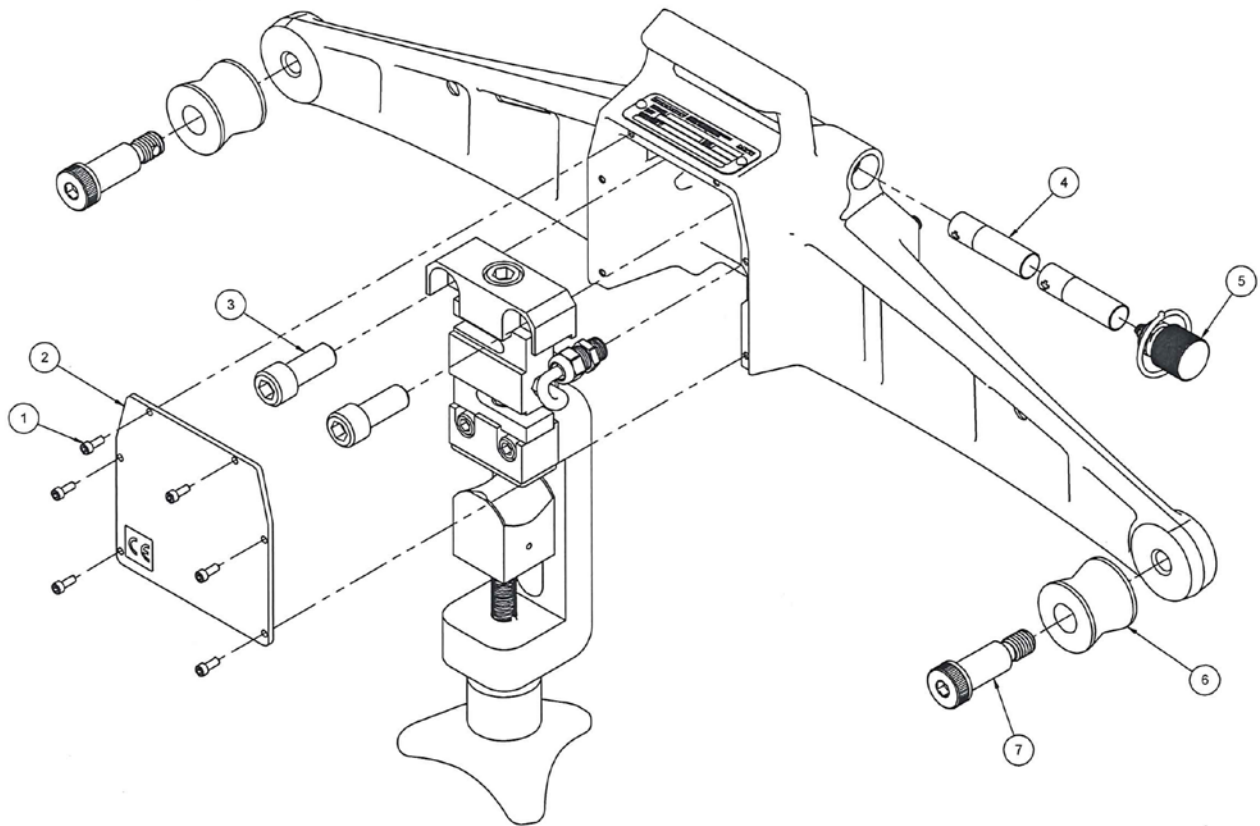
Part Number/Price

Item #	Part #	Description	Price
1	145988	Screw socket head 6-32 x 3/8 stainless steel	\$1.75
2	192406	Cover plate load train	\$39.00
3	146001	Screw socket head 1/2-20 x 1-1/4 pltd	\$4.25
4	16431	Battery, 1.5V AA alkaline pack of 8	\$4.00
5	191147	Battery cap assembly	\$180.00
6	191155	Cable roller	\$140.00
7	192660	Bolt shoulder 1/2-13 unc shoulder diameter 0.623-621 x 1.25 length with thread locker black oxide	\$22.00
8	189583	Electronics assembly LCD	\$975.00
9	192858	Cable assembly serial RS-232	\$46.00
10	142197	Screw, pan head 6-32 x 5/16 long Phillips drive stainless steel with locking patch material applied	\$2.25
11	158437	PCA terminal block 8000HD	\$51.00
12	146226	Spacer .140 inch id x .125 inch lg #6 clearance #4001	\$2.00
13	191038	Gasket display silicone	\$18.00
14	161622	Cable assembly int load cell term block to display board input	\$17.00
15	194530	Screw shoulder socket head 6-32 5/32 diameter x 5/16 long alloy steel black oxide	\$7.50

REPLACEMENT PARTS



Dyna-Clamp Front



Dyna-Clamp Back

REPLACEMENT PARTS

MSI-8000

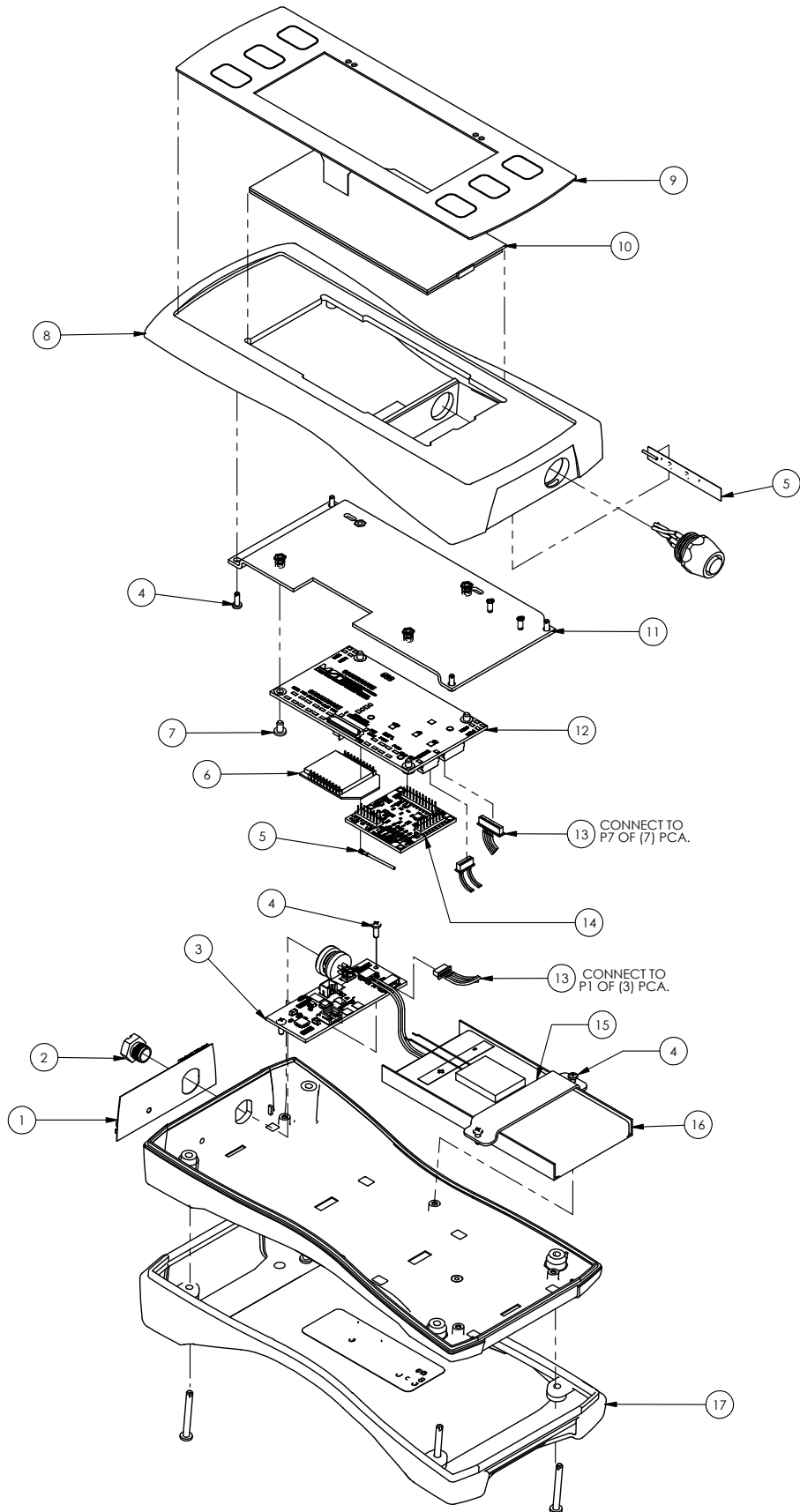
Remote Display



Part Number/Price

Item #	Part #	Description	Price
1	149451	Label charger serial FCC handheld display	\$20.00
2	144908	Conn closure cap IP68 picofast male	\$3.00
3	162339	PCA Li-Po battery charger 5 VDC	\$195.00
4	144935	Screw pan head 2-32 x 1/4 type B Phillips stainless steel	\$2.00
5	145065	Antenna patch 2.4 GHz ADH mount with fl. u coax	\$21.00
6	144773	Radio module Xbee-pro 802.15.4 u.fl connect	\$136.50
7	146593	Screw pan head 4-40 x 3/16 Phillips stainless steel	\$1.00
8	149407	Enclosure machined DynaLink2 REM display	\$170.00
9	149409	Label descriptive switch remote display	\$100.00
10	151575	LCD display 6-digit	\$36.00
11	149408	Mounting plate LCD PCA	\$36.00
12	151918	PCA 6-digit LCD 7300	\$650.00
13	139380	Cable assembly power/comm handheld	\$18.00
14	153428	PCA ScaleCore3 no a/d	\$265.00
15	179169	Bracket assembly	\$35.00
16	139336	Battery pack/charger li-polymer 3.7 V	\$140.00
17	144874	Enclosure seal rubber armor blue	\$54.00

REPLACEMENT PARTS



REPLACEMENT PARTS

MSI-8000HD

Final Assembly Remote Display



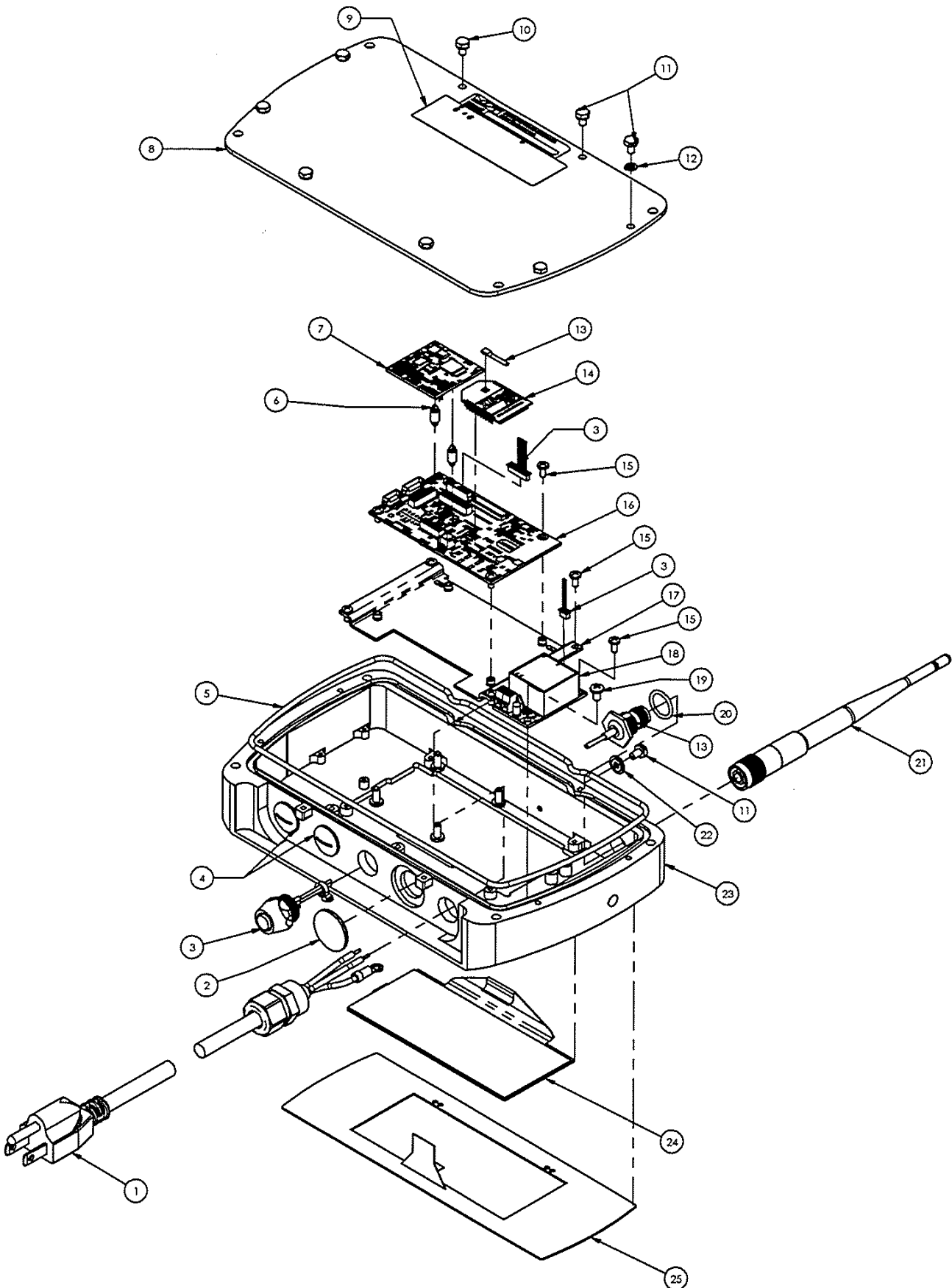
Part Number/Price

Item #	Part #	Description	Price
1	160518	Power cord AC in	\$43.00
2	154863	Plug diameter 0.900 with adhesive	\$16.00
3	161591	Cable assembly serial M12	\$76.00
4	143746	Plug domed PG9 IP65	\$13.00
5	153110	O-ring 7-1/4 x .103	\$5.00
6	144929	Spacer miniature dual	\$6.25
7	153428	PCA ScaleCore3 no a/d	\$265.00
8	152034	Cover fixed mount	\$49.00
9	159855	Overlay TranSend FCC	\$5.00
10	146022	Bolt hex head 6-32 x 1/4 cap stainless steel	\$3.50
11	143271	Screw mach hex head	\$7.00
12	146538	Washer split lock stainless steel #6	\$2.00
13	152051	Cable assembly RF coax	\$30.00
14	144773	Radio module Xbee-pro	\$136.50
15	128088	Screw 4-40 x 1/4 pan head Phillips	\$1.00
16	151918	PCA 6-digit LCD	\$650.00
17	152046	Bracket electronics	\$70.00
18	151599	PCA, AC power supply 5V 5W	\$190.00
19	146601	Screw pan head 6-32 x 1/4 Phillips	\$0.75
20	153793	O-ring 1/2 id x .070	\$2.00
21	143283	Antenna 2.4GHz	\$64.00
22	143272	Washer seal #6 steel	\$3.50
23	151492	Enclosure fixed meter	\$220.00
24	151575	LCD display 6-digit	\$36.00
25	149409	Label descriptive switch	\$100.00

REPLACEMENT PARTS

MSI-8000HD

Final Assembly Remote Display



REPLACEMENT PARTS

MSI-8004HD

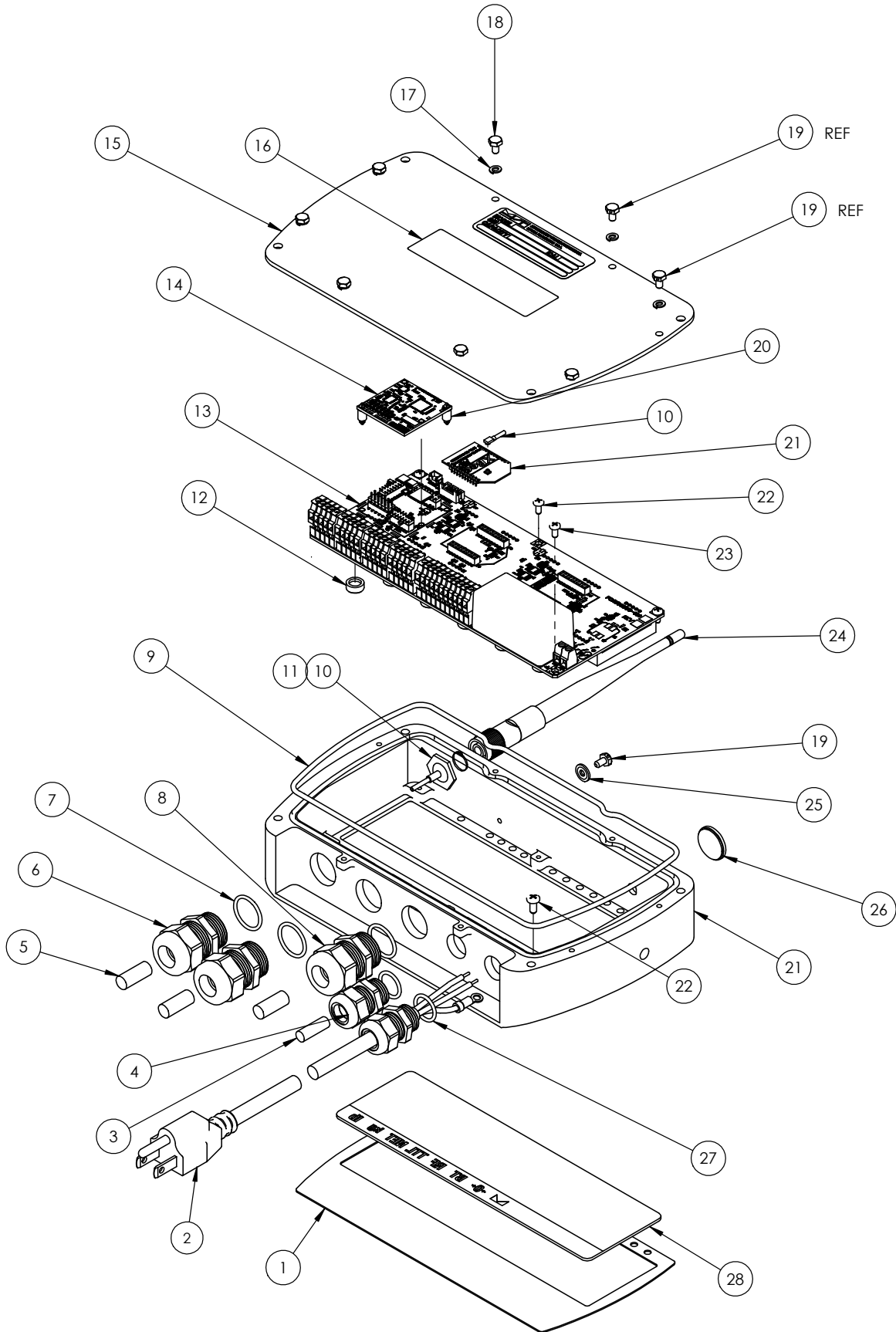
Indicator AC



Part Number/Price

Item #	Part #	Description	Price
1	178180	Overlay, standard	\$40.00
2	160518	Power cord AC in	\$43.00
3	141991	Pin round acetal 0.25 in diameter	\$0.75
4	141593	Conn feed through liquid	\$7.00
5	142554	Pin round acetal 0.312 in diameter	\$0.75
6	177368	Conn, feed through, liquid	\$5.00
7	177366	O-ring, PG13, Buna-N	\$2.00
8	177364	Conn feed through	\$5.00
9	153110	O-ring 7-1/4 x .103	\$5.00
10	152051	Cable assembly RF coax	\$30.00
11	153793	O-ring 1/2 ld x .070	\$2.00
12	177362	Key cap, SMS switches	\$2.00
13	176192	PCA 8004 indicator green/red	\$920.00
14	153431	PCA ScaleCore3 4-channel	\$280.00
15	152034	Cover fixed mount 8000	\$49.00
16	159855	Overlay TranSend FCC	\$5.00
17	146538	Washer split lock stainless steel #6	\$2.00
18	146022	Bolt hex head 6-32 x 1/4 cap stainless steel	\$3.50
19	143271	Screw mach hex head	\$7.00
20	144929	Spacer miniature dual	\$6.25
21	144773	Radio module Xbee-pro	\$136.50
22	144537	Screw LKG PCH pan head 6-32	\$0.75
	142233	Screw, pan head, locking, 4-40 x 3/16, Phillips, stainless steel	\$2.25
23	146543	Screw pan head 4-40 x 1/4 nylon	\$0.75
24	143283	Antenna 2.4 GHz	\$64.00
25	143272	Washer seal #6 steel	\$3.50
26	158438	Plug diameter 0.750 in with adhesive	\$13.00
27	177363	O-ring, PG9, Buna-N	\$0.75
28	177579	LED filter med grey	\$29.00

REPLACEMENT PARTS



REPLACEMENT PARTS

MSI-8004HD

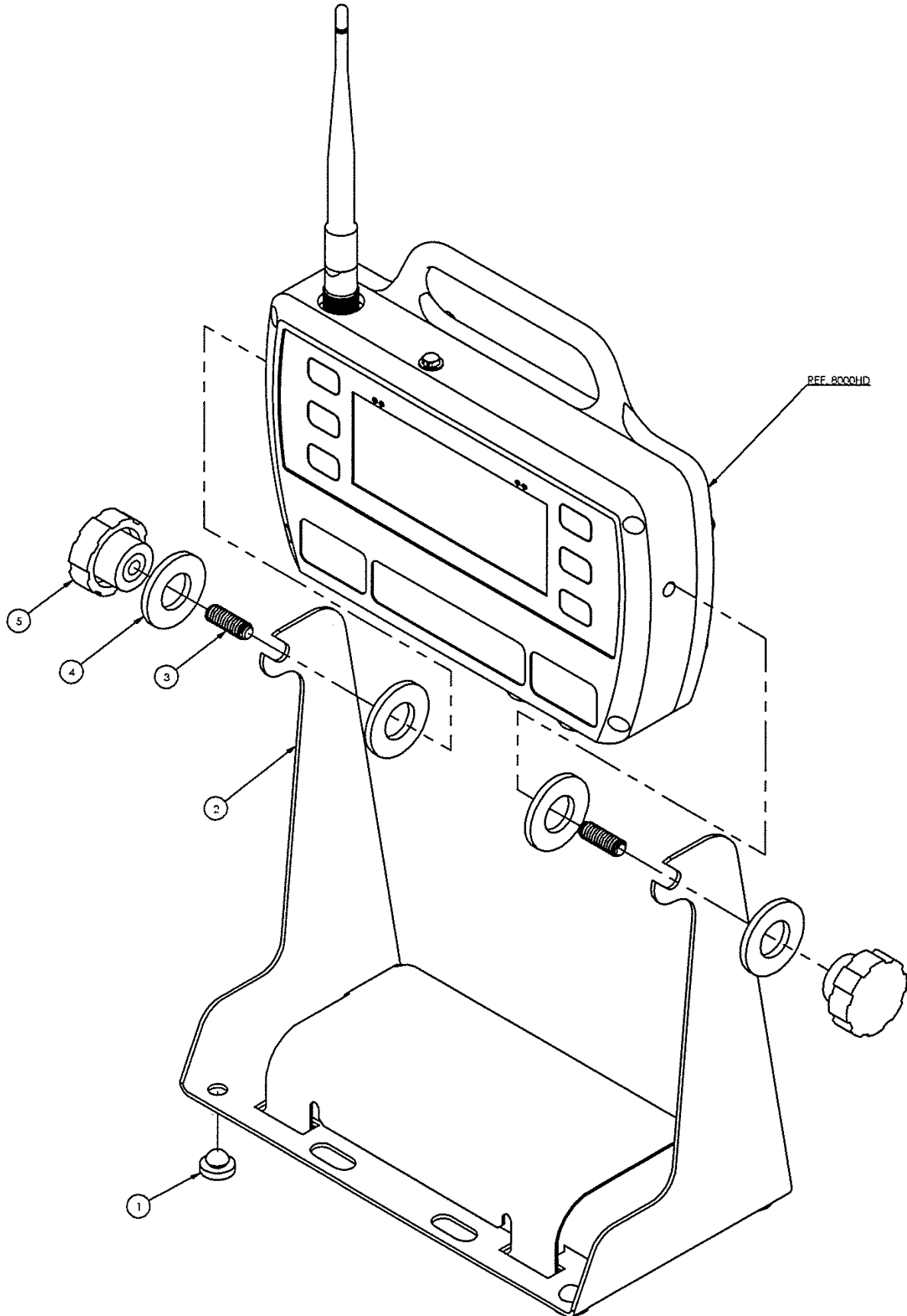
Optional Kit Tilt Stand



Part Number/Price

Item #	Part #	Description	Price
1	143224	Bumper molded sbr .078	\$1.00
2	155172	Tilt stand 8000HD	\$56.00
3	155192	Screw set 5/16-18 x 7/8	\$0.50
4	146200	Washer flat nylon .315 ID	\$2.00
5	143879	Knob fluted 5/16-18	\$13.00

REPLACEMENT PARTS



REPLACEMENT PARTS

MSI-7000HD

4 CH 85-265 VAC



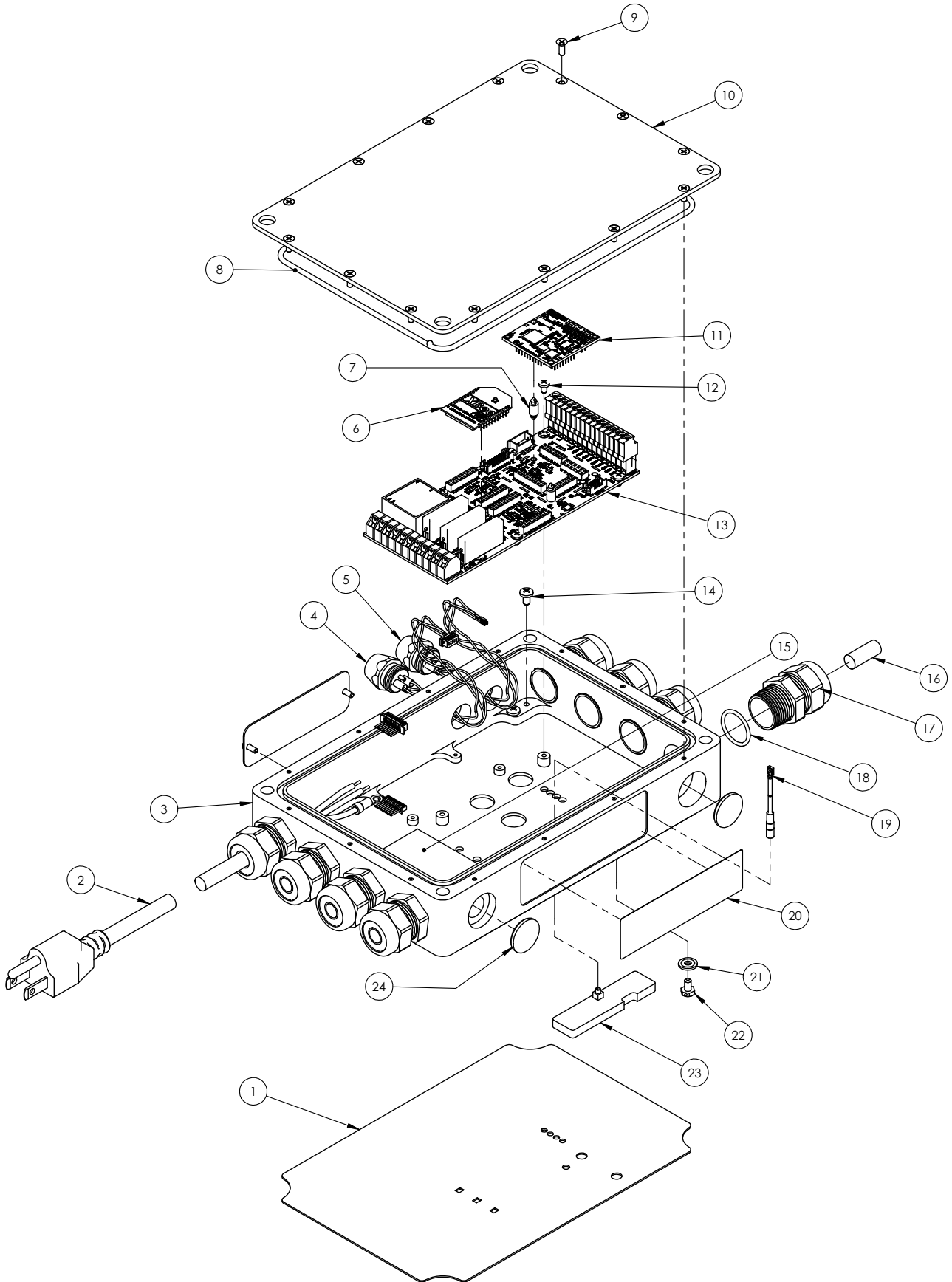
Part Number/Price

Item #	Part #	Description	Price
1	178160	Overlay	\$37.00
2	179558	Power cord AC in	\$30.00
3	178022	Enclosure	\$400.00
4	178557	Cable assembly serial comm	\$235.00
5	178491	Cable assembly serial comm	\$51.00
6	144773	Radio module Xbee-pro	\$136.50
7	144929	Spacer miniature dual	\$6.25
8	174106	O-ring	\$2.00
9	146553	Screw pan head 4-40 × 5/16 Phillips	\$0.75
10	178172	Cover standard	\$100.00
11	153431	PCA ScaleCore3 4-channel	\$280.00
12	142233	Screw, pan head, locking, 4-40 × 3/16, Phillips, stainless steel	\$2.25
13	175315	PCA dual modem, ac	\$315.00
14	144537	Screw lkg pch pan head 6-32	\$0.75
15	174214	Insulator AC and relays	\$7.50
16	142554	Pin round acetel 0.312 diameter	\$0.75
17	142229	Conn feed through liquid	\$9.00
18	181774	O-ring AS568-018 neoprene	\$0.75
19	139450	RF cable assembly MMCX str	\$25.00
20	159855	Overlay TranSend FCC	\$5.00
21	143272	Washer seal #6 steel	\$3.50
22	143271	Screw mach hex head	\$7.00
23	143454	Antenna 2.4 GHz patch	\$110.00
24	158438	Plug diameter 0.750 with adhesive	\$13.00

REPLACEMENT PARTS

MSI-7000HD

4 CH 85-265 VAC



REPLACEMENT PARTS

MSI-7001HD

2 CH 85-265 VAC



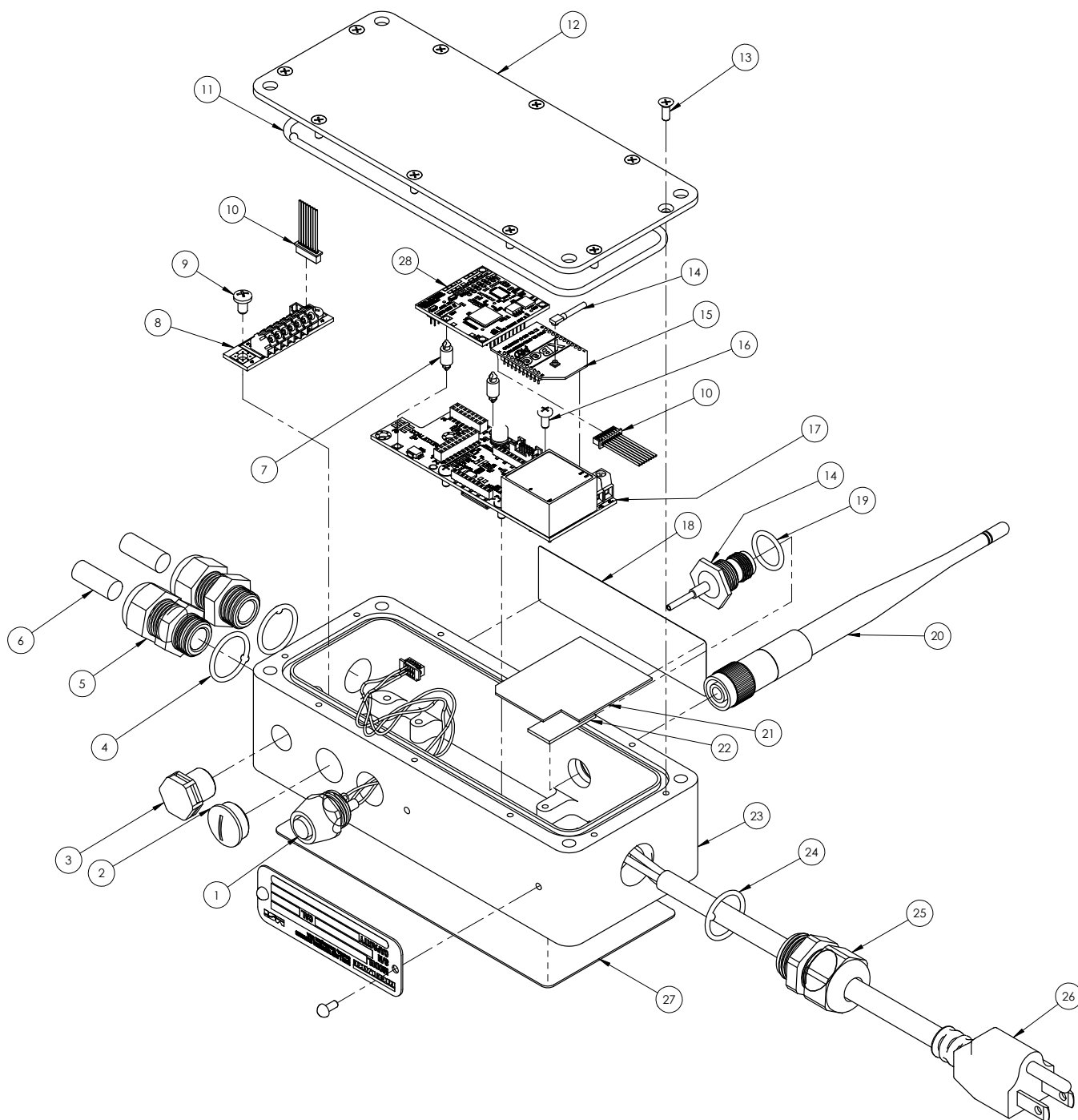
Part Number/Price

Item #	Part #	Description	Price
1	178557	Cable assembly serial comm	\$235.00
2	143746	Plug domed PG9 IP65	\$13.00
3	88733	Vent, breather sealed	\$22.00
4	177363	O-ring, PG9, Buna-N, 8004	\$0.75
5	141593	Conn feed through liquid	\$7.00
6	142554	Pin round acetal 0.312 diameter	\$0.75
7	144929	Spacer miniature dual	\$6.25
8	179595	PCA 7001HD LC term blk	\$235.00
9	146601	Screw pan head 6-32 x 1/4 Phillips	\$0.75
10	182635	Cable assembly int load cell	\$37.00
11	181832	O-ring	\$1.00
12	179213	Enclosure cover	\$30.00
13	146553	Screw flat head 4-40 x 5/16 Phillips	\$0.75
14	152051	Cable assembly RF coax	\$30.00
15	144773	Radio module Xbee-pro	\$136.50
16	128088	Screw 4-40 x 1/4 pan head Phillips	\$1.00
17	176036	PCA 7001A, AC power supply	\$290.00
18	159855	Overlay TranSend FCC	\$5.00
19	153793	O-ring 1/2 ID x .070	\$2.00
20	143283	Antenna 2.4 GHz	\$64.00
21	181880	Insulator AC	\$2.25
22	148591	Adhesive pad	\$2.25
23	178490	Enclosure	\$140.00
24	146251	O-ring 70 durometer	\$2.10
25	142885	Conn feed through liquid	\$7.00
26	179558	Power cord AC in	\$30.00
27	179390	Overlay	\$21.00
28	153430	PCA ScaleCore3 2-channel	\$210.00

REPLACEMENT PARTS

MSI-7001HD

2 CH 85-265 VAC



REPLACEMENT PARTS

MSI-9750A

Front Assembly



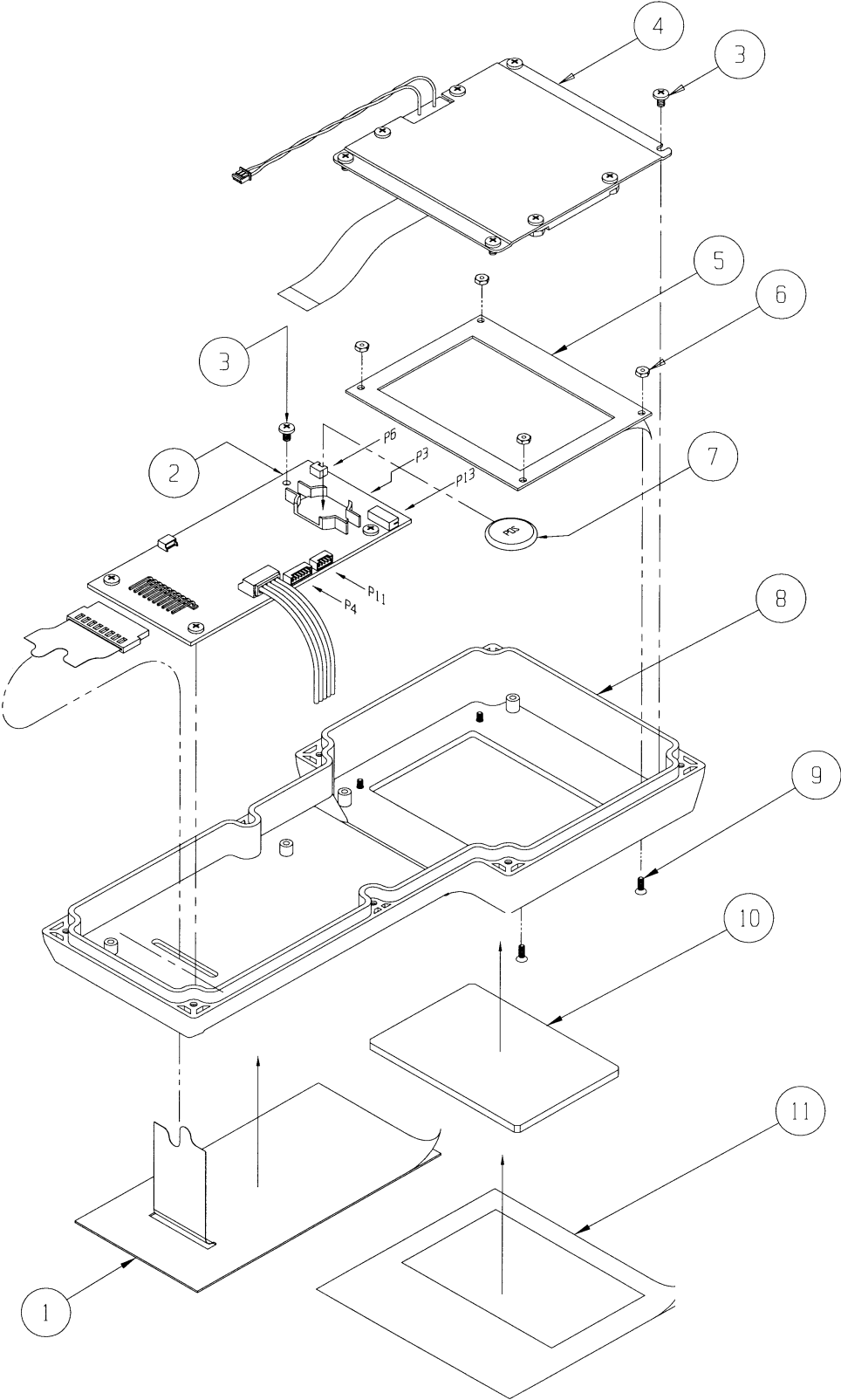
Part Number/Price

Item #	Part #	Description	Price
1	148847	Keypad	\$235.00
2	148889	PCA, controller	\$705.00
3	143842	Screw, pan head 4-24 x 3/16, Phillips, stainless steel	\$1.00
4	138115	PCA, display assembly	\$200.00
5	148923	Bracket, window	\$45.00
6	146541	Nut, hex, 2-56, stainless steel	\$0.75
7	71408	Battery, lithium coin cell	\$6.00
8	148950	Enclosure	\$190.00
9	146547	Screw, pan head, 2-56 x 1/4 Phillips, stainless steel	\$0.75
10	148922	Window	\$16.00
11	148951	Label, display	\$61.00

REPLACEMENT PARTS

MSI-9750A

Front Assembly



REPLACEMENT PARTS

MSI-9750A

Back Assembly



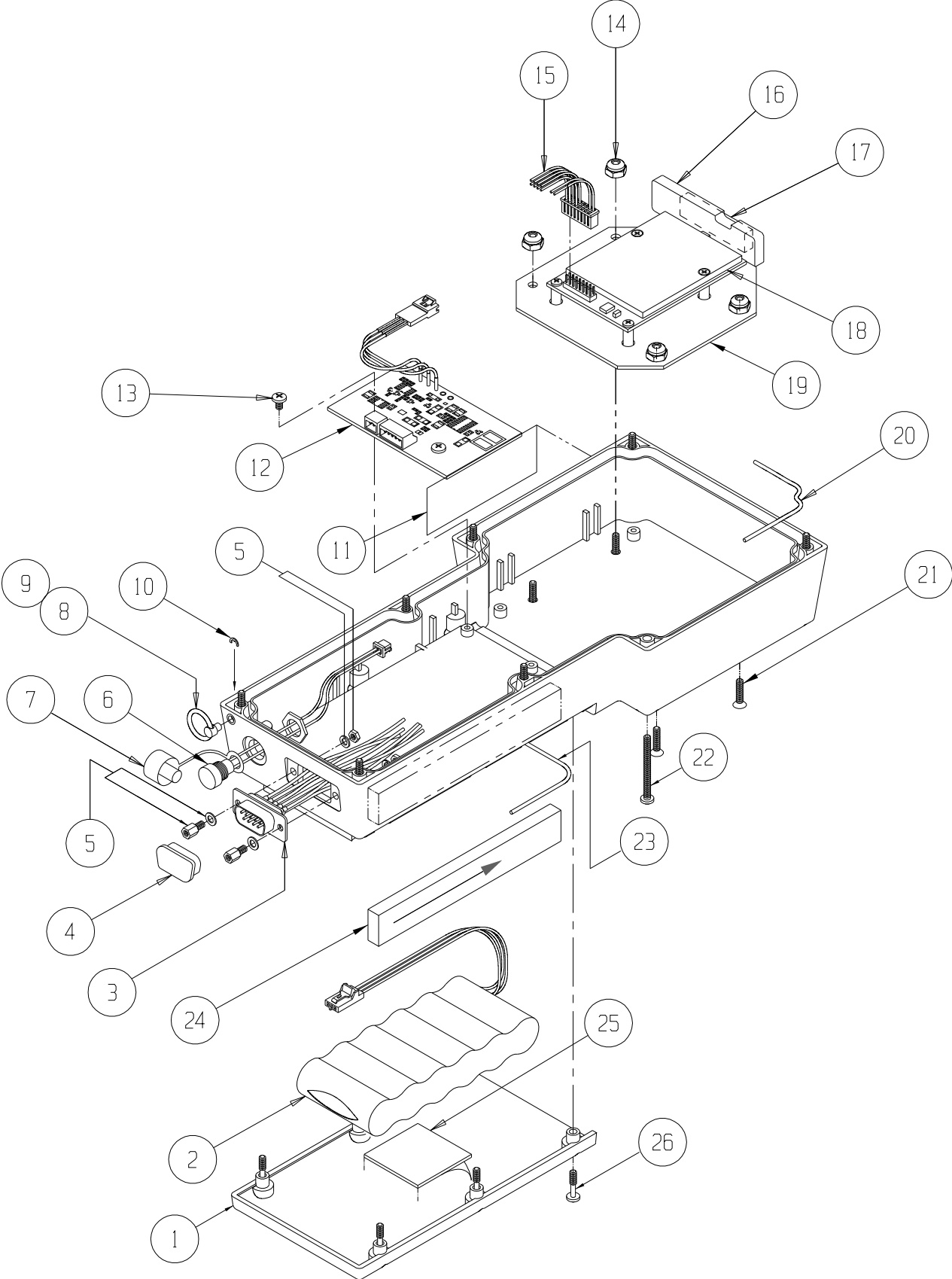
Part Number/Price

Item #	Part #	Description	Price
1	148950	Enclosure	\$190.00
2	143709	Battery assembly 7.2 volt	\$160.00
3	149079	Cabel assembly, RS232	\$130.00
4	143787	Dust cover	\$4.00
5	143751	Screwlock assembly female 4-40	\$4.00
6	148949	Cable assembly, power jack	\$48.00
7	144095	Cover power jack	\$16.00
8	148953	Lanyard pin 1/8 in	\$24.00
9	144096	Split ring .6	\$2.00
10	144097	E-clip .125	\$2.00
11	148637	Tag, serial	\$3.35
12	148955	PCA, battery charger	\$235.00
13	143842	Screw, pan head, 4-24 x 3/16, Phillips, stainless steel	\$1.00
14	146627	Nut, hex, #6, nyloc	\$0.75
15	138489	Cable assembly, 2450 modem to CPU	\$92.00
16	143454	Antenna housing with straight MMCX connector	\$110.00
17	148799	Pad, poron 1.5 x .375 x .188	\$3.00
18	144158	2450 modem, RF, 2.4 GHz	\$675.00
19	149112	Mounting bracket, 2450 modem	\$46.00
20	143843	Gasket, enclosure	\$17.00
21	146577	Screw, flat head, 6-32 x 1/2, Phillips, stainless steel black	\$0.75
22	143881	Screw, pan head, 4-40 x 1.38, Phillips, stainless steel	\$2.00
23	143844	Gasket, battery	\$17.00
24	148859	Pad poron 4.25 x .63 x .25	\$3.50
25	148837	Pad poron 1.25 x 1.25 x .60	\$3.00
26	143882	Screw, pan head, 4-40 x .50 Phillips, stainless steel	\$2.00

REPLACEMENT PARTS

MSI-9750A

Back Assembly



REPLACEMENT PARTS

MSI-9850

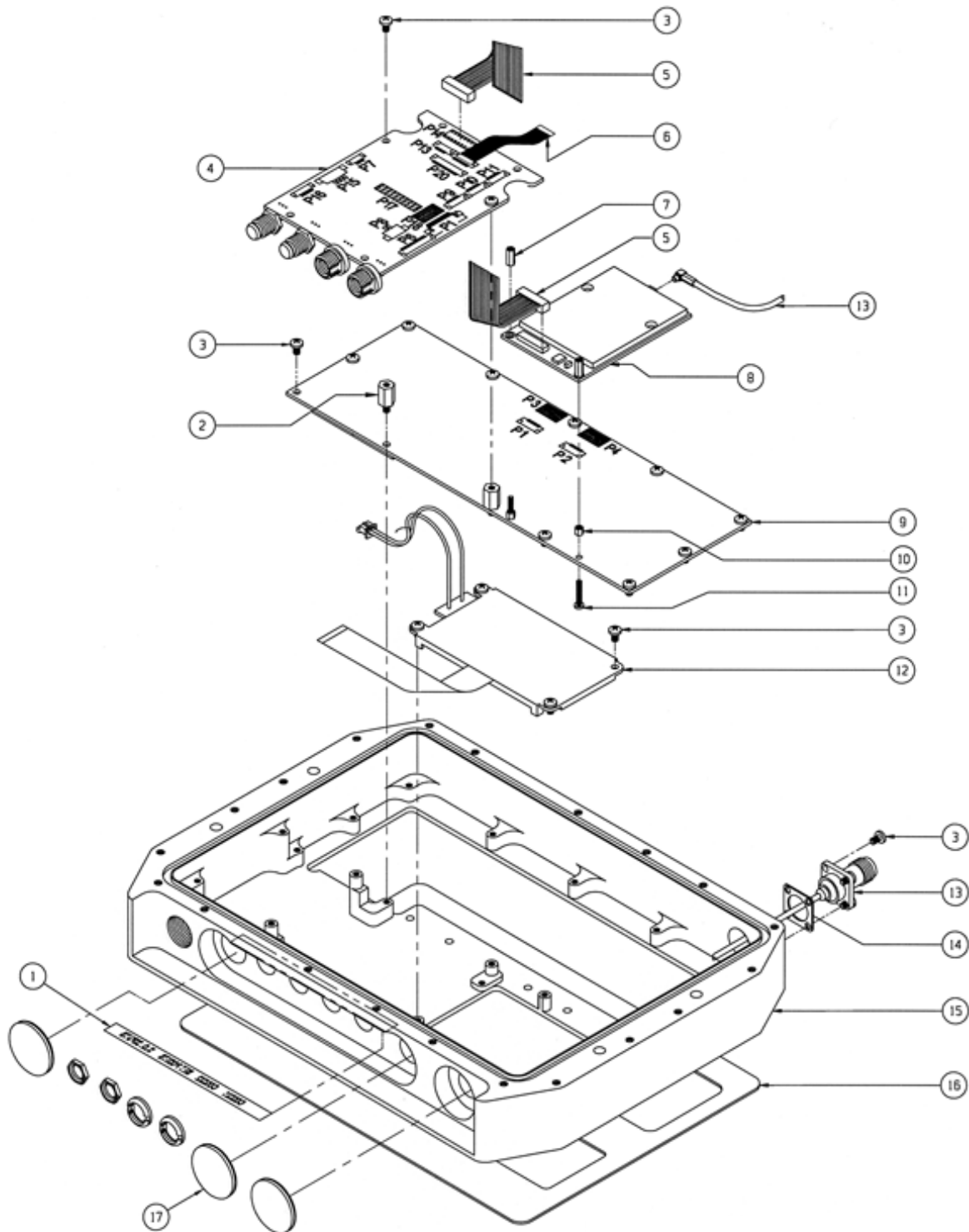
Meter Assembly



Part Number/Price

Item #	Part #	Description	Price
1	149148	Label, connector, 9850 description	\$20.00
2	143305	Standoff, hex, 3/8 LG, stainless steel	\$5.00
3	128088	Screw, pan head, 4-40 x 1/4, Phillips, stainless steel	\$1.00
4	138291	PCA, ARM microcontroller, 9850 pico mount	\$1,350.00
5	144224	Cable, IDC plug	\$27.00
6	143227	Cable, flat flex	\$20.00
7	144376	Standoff, hex, 2-56 x 1/8 x .312 LG, steel	\$4.50
8	144158	2450 modem, RF, 2.4 GHz	\$675.00
9	148971	PCA, display, LED	\$550.00
10	144375	Standoff, hex, 2-56 x 1/8 x .125 LG, steel	\$4.50
11	146591	Screw, pan head, 2-56 x 3/8, stainless steel	\$1.00
12	138333	Assembly, display, LCD	\$170.00
13	149080	Cable assembly, antenna	\$125.00
14	143336	Gasket, flange mtg, .689 SQ	\$10.50
15	149045	Enclosure	\$935.00
16	149056	Label, keypad	\$265.00
17	149094	Plug, 1.00 x .063, with adhesive	\$5.75
—	Consult	Cover, enclosure	\$55.00
—	Consult	Assembly, O-ring	\$6.85

REPLACEMENT PARTS



REPLACEMENT PARTS

MSI-9850

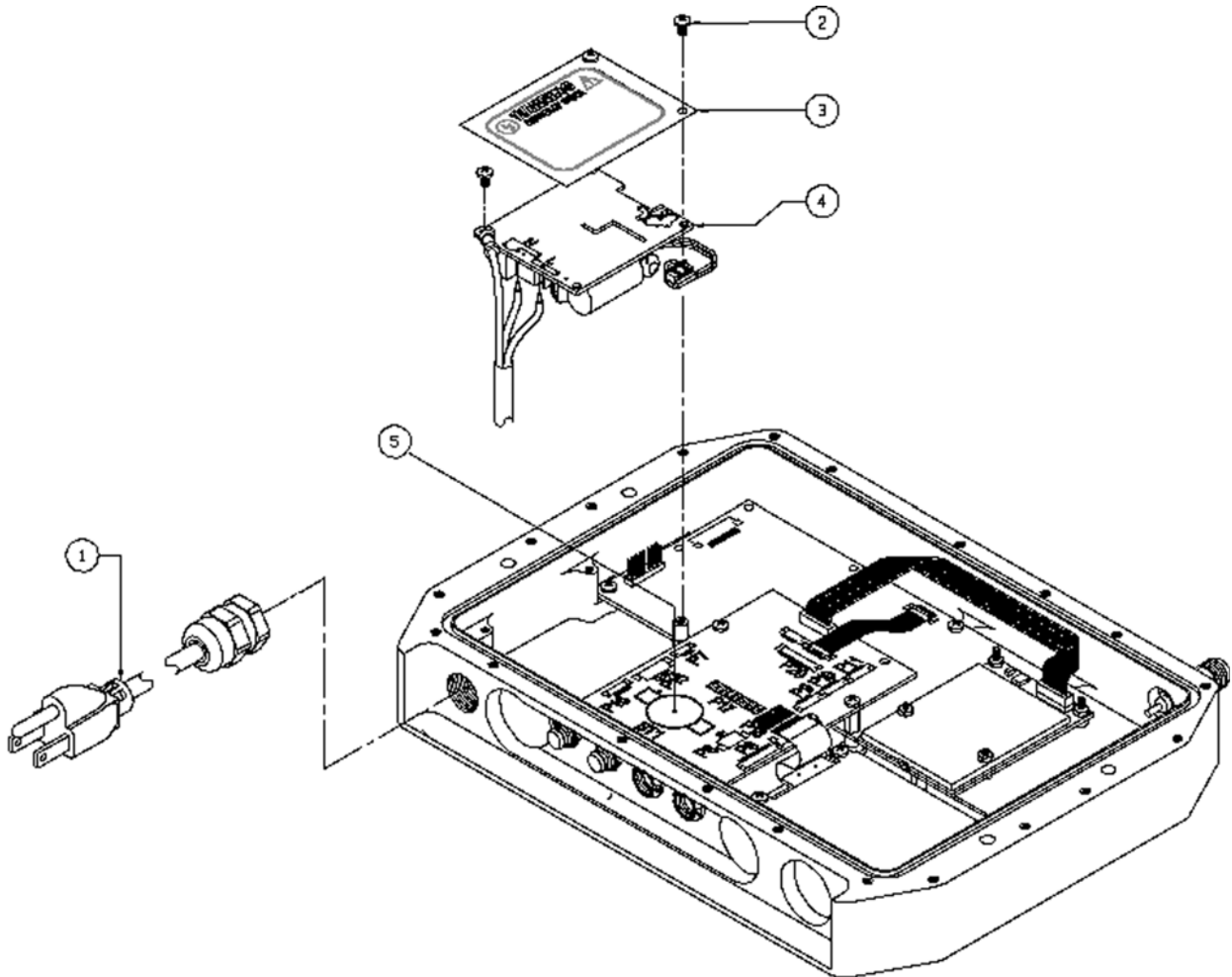
Power Assembly



Part Number/Price

Item #	Part #	Description	Price
1	138331	Assembly, AC power cord	\$80.00
2	144536	Screw, pan head, 4-40 × 1/4, Phillips, stainless steel	\$1.00
3	138334	Label, warning	\$11.00
4	138332	Power supply, 85-265 VAC	\$235.00
5	71408	Battery, lithium	\$6.00

REPLACEMENT PARTS



REPLACEMENT PARTS

MSI-9020 CellScale

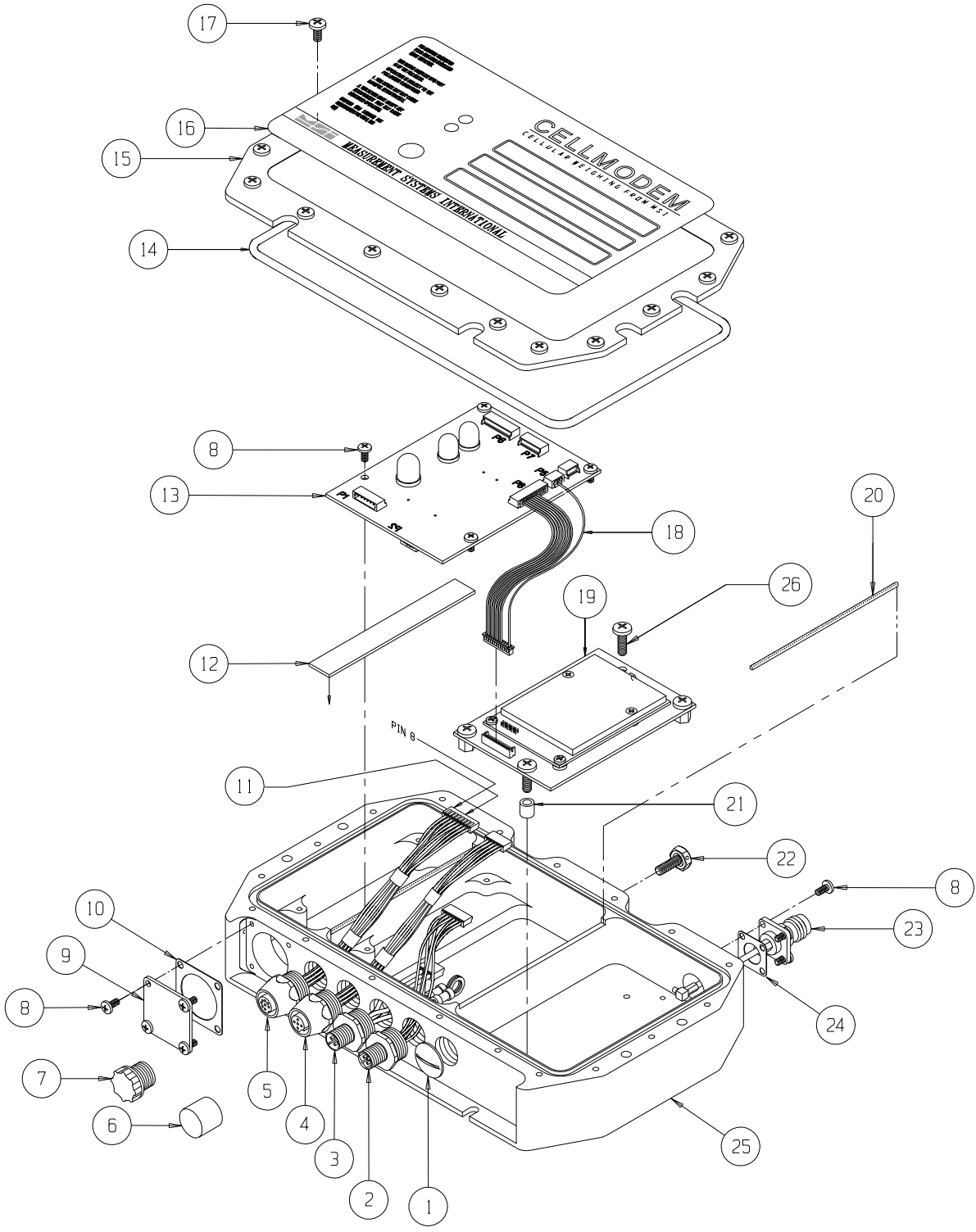


Part Number/Price

Item #	Part #	Description	Price
1	143746	Closure cap, connector	\$13.00
2	148988	Connector assembly, power & switch input	\$72.00
3	148811	Connector assembly, power input	\$125.00
4	149000	Connector assembly, RS422	\$105.00
5	137503	Connector assembly, RS232	\$170.00
6	143353	Closure cap, connector, female	\$2.25
7	143352	Closure cap, connector, male	\$3.00
8	144536	Screw, pan head, 4-40 x 1/4, Phillips, stainless steel	\$1.00
9	148630	Plate, cover	\$70.00
10	142500	Gasket	\$7.75
11	143696	Connector, housing	\$1.00
12	143309	Pad, thermal, conductive, 3.6 x .5 x .1	\$17.00
13	137528	PCA, power supply, AC	\$1,250.00
14	148488	O-Ring assembly	\$14.00
15	148566	Cover, enclosure	\$235.00
16	148794	Label, descriptive	\$170.00
17	142197	Screw, pan head, 6-32 x 5/16, Phillips, stainless steel	\$2.25
18	149125	Cable assembly, power supply to 2450 adapter	\$92.00
19	138306	PCA, with 2450 modem assembly	\$675.00
20	143307	Gasket, foam filled mesh, EMI	\$4.50
21	144227	Spacer, #6, 1/4	\$3.50
22	142591	Screw, seal, 8-32 x .4375, stainless steel	\$24.00
23	148680	Cable assembly, antenna	\$98.00
24	143336	Gasket, flange	\$10.50
25	148683	Enclosure	\$830.00
26	146605	Screw, pan head, 6-32 x 1/2, Phillips, stainless steel	\$0.75

REPLACEMENT PARTS

MSI-9020 CellScale



REPLACEMENT PARTS

MSI-9000 CellScale

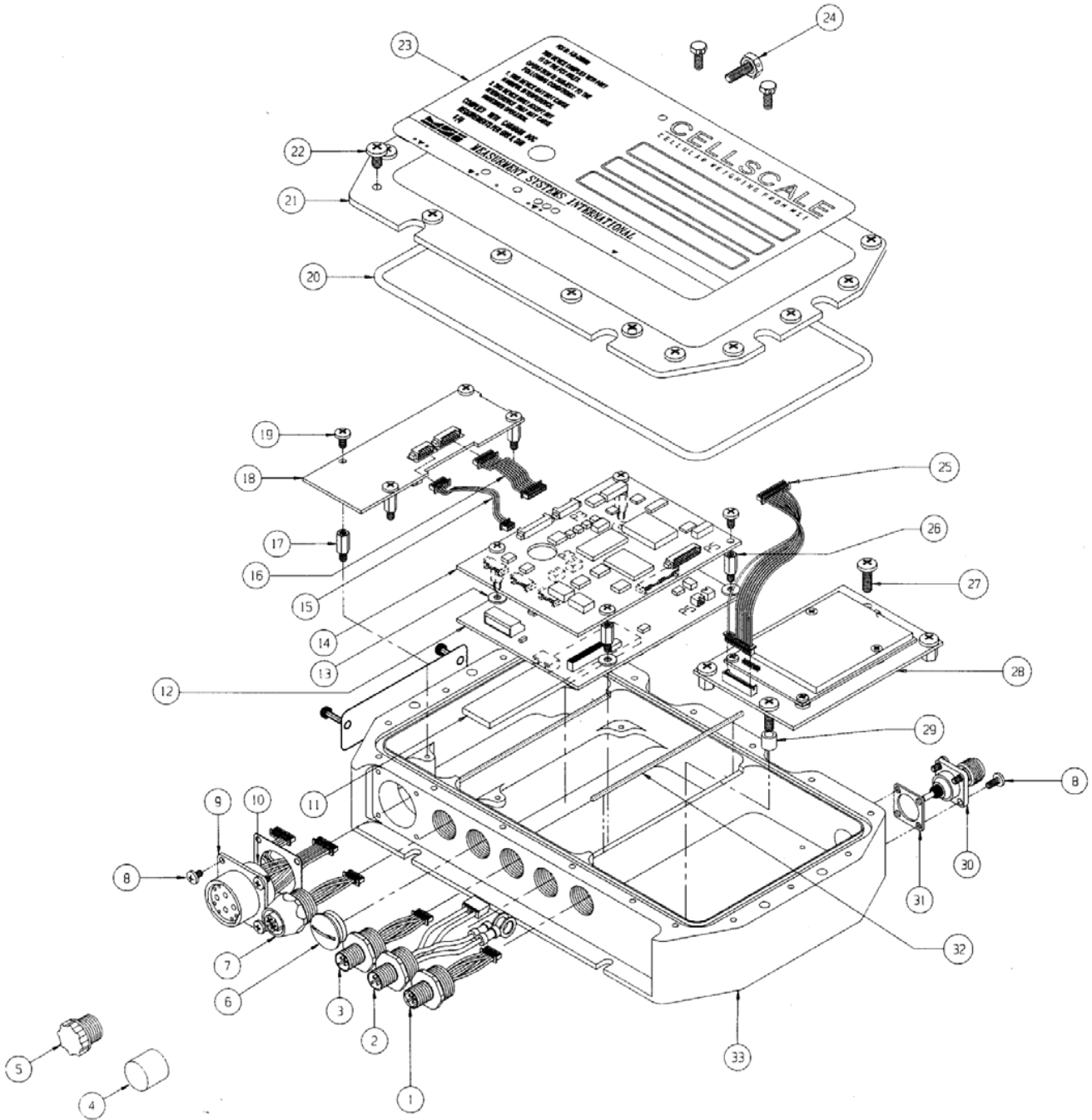


Part Number/Price

Item #	Part #	Description	Price
1	148989	Connector assembly, power & switch input	\$97.00
2	148811	Cable assembly, power input	\$125.00
3	148583	Connector assembly, serial I/O interface, male	\$140.00
4	143353	Closure cap, connector, female	\$2.25
5	143352	Closure cap, connector, male	\$3.00
6	143746	Plug, domed PG9	\$13.00
7	148584	Connector assembly, serial I/O interface, female	\$105.00
8	144536	Screw, pan head, 4-40 × 1/4, Phillips, stainless steel	\$1.00
9	148580	Connector assembly, L/C input	\$200.00
10	142500	Gasket flange, 1.125 square	\$7.75
11	143309	Pad, 3.6 × 0.5 × 0.1	\$17.00
12	137534	AC power supply PCA	\$740.00
13	143384	Washer, flat #4	\$2.25
14	148547	Micro-Controller PCA	\$605.00
15	148868	Cable assembly, A/D to power supply	\$27.00
16	148612	Cable assembly, A/D micro-controller	\$26.00
17	142948	Standoff, hex, 3/8 Lg, 4-40 × 0.188, aluminum	\$3.50
18	148548	High resolution PCA, A/D	\$400.00
19	128088	Screw, pan head, 4-40 × 1/4, Phillips, stainless steel	\$1.00
20	148488	O-ring assembly	\$14.00
21	148566	Cover, enclosure	\$235.00
22	142197	Screw, 6-32 × 5/16 machined, stainless steel	\$2.25
23	148934	Label, descriptive	\$64.00
24	142591	Screw, seal, 8-32 × 0.4375, FDA, stainless steel	\$24.00
25	149085	Cable assembly, micro-controller to 2450 modem	\$73.00
26	143306	Standoff, hex, 0.312 Lg, 4-40 × 0.188, aluminum	\$3.25
27	146605	Screw, pan head, 6-32 × 1/2, Phillips, stainless steel	\$0.75
28	138304	PCA with 2450 modem	\$675.00
29	144227	Spacer, round, 1/4 diameter aluminum, #6 CL × 1/4 LG	\$3.50
30	148680	Cable assembly, antenna	\$98.00
31	143336	Gasket flange, 0.689 square	\$10.50
32	143307	Gasket, foam filled mesh, EMI	\$4.50
33	148683	Enclosure, CellScale	\$830.00

REPLACEMENT PARTS

MSI-9000 CellScale



REPLACEMENT PARTS

MSI-9002 CellScale

Breakout / Summing Box



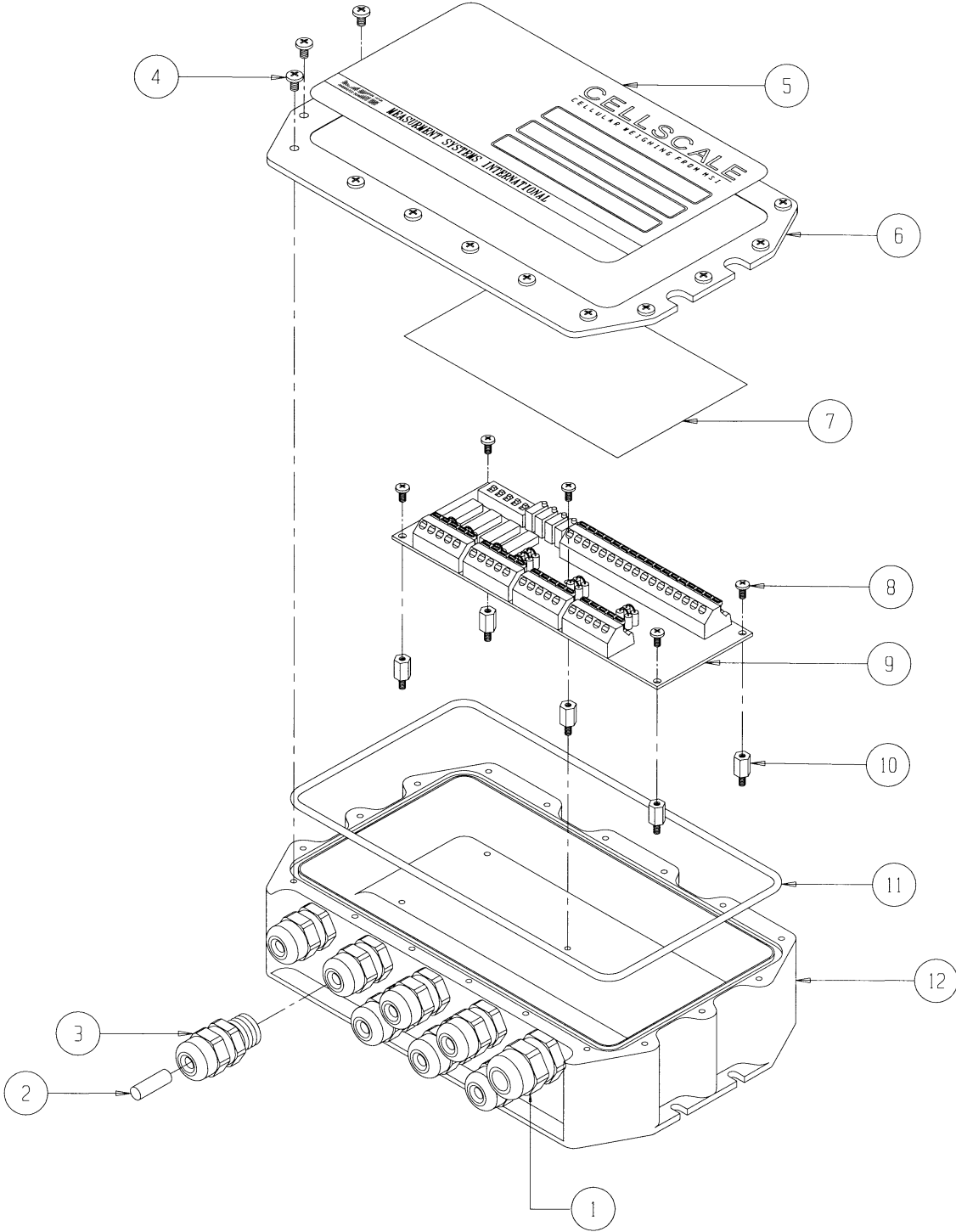
Part Number/Price

Item #	Part #	Description	Price
1	143636	Cord grip, PG11	\$8.75
2	141991	Pin, acetal, 1/4 diameter × 3/4	\$0.75
3	141593	Cord grip, PG9	\$7.00
4	146601	Screw, pan head, 6-32 × 1/4, Phillips, stainless steel	\$0.75
5	148758	Label, descriptive	\$52.00
6	148759	Cover, enclosure	Consult
7	137542	Label, wiring detail	\$7.50
8	128088	Screw, pan head, 4-40 × 1/4, Phillips, stainless steel	\$1.00
9	137091	PCA assembly	\$485.00
10	143305	Standoff, hex, 3/8 Lg, 4-40 × 0.188, stainless steel	\$5.00
11	148488	O-ring assembly	\$14.00
12	148625	Enclosure, breakout / summing box	\$550.00

REPLACEMENT PARTS

MSI-9002 CellScale

Breakout / Summing Box



REPLACEMENT PARTS