

# Overhead Weighing

## TABLE OF CONTENTS

<b>MSI-3460 Challenger 3</b> .....	<b>790</b>
<i>Crane Scale</i>	
<b>MSI-4260 Port-A-Weigh</b> .....	<b>792</b>
<i>Industrial Crane Scale</i>	
<b>MSI-4260 IS Port-A-Weigh</b> .....	<b>794</b>
<i>Intrinsically Safe Crane Scale</i>	
<b>MSI-4260M Port-A-Weigh</b> .....	<b>795</b>
<i>Industrial Crane Scale</i>	
<b>MSI-4260M Port-A-Weigh</b> .....	<b>797</b>
<i>Marine Crane Scale</i>	
<b>MSI-9600HT Hi-Torque Port-A-Weigh Plus</b> .....	<b>798</b>
<i>High Torque Crane Scale</i>	
<b>MSI-6360 Trans-Weigh</b> .....	<b>799</b>
<i>Crane Scale</i>	
<b>RL101 Scale</b> .....	<b>801</b>
<i>Compact Digital Below-the-Hook Scale</i>	
<b>Crane Scale Cart</b> .....	<b>802</b>
<i>Universal Transport and Storage Cart</i>	
<b>MSI-7300 Dyna-Link 2</b> .....	<b>803</b>
<i>Digital Tension Dynamometer</i>	
<b>MSI Dyna-Clamp</b> .....	<b>805</b>
<i>Tension Meter</i>	
<b>MSI Clamp-On</b> .....	<b>806</b>
<i>Load Cell</i>	
<b>MSI Load Pin Sensors</b> .....	<b>807</b>
<b>MSI Load Pin Questionnaire</b> .....	<b>808</b>
<b>MSI Shear Web</b> .....	<b>809</b>
<i>Load Cell</i>	
<b>MSI Tension Link</b> .....	<b>810</b>
<i>Load Cell</i>	
<b>Shackle Dimensions</b> .....	<b>811</b>
<b>MSI-8000</b> .....	<b>812</b>
<i>RF Remote Display</i>	
<b>MSI-8000HD</b> .....	<b>813</b>
<i>Indicator/Remote Display</i>	
<b>MSI-8004HD</b> .....	<b>815</b>
<i>Indicator/RF LED Remote Display</i>	
<b>MSI Scoreboards Wireless RF</b> .....	<b>817</b>
<i>Featuring LaserLight2 Remote Displays</i>	
<b>TranSend™ MSI-7000</b> .....	<b>818</b>
<i>Wireless Load Cell Interface System</i>	
<b>TranSend™ MSI-7001</b> .....	<b>820</b>
<i>Wireless Load Cell Interface System</i>	
<b>TranSend™ MSI-7000HD</b> .....	<b>822</b>
<i>Wireless Load Cell Interface System</i>	
<b>TranSend™ MSI-7001HD</b> .....	<b>823</b>
<i>Wireless Load Cell Interface System</i>	
<b>ScaleCore Webserver</b> .....	<b>824</b>
<i>Wireless Network Router/Webserver</i>	
<b>Rugged Remote</b> .....	<b>826</b>
<b>WiFi Information Request</b> .....	<b>827</b>

The following product names, logos, brands and other trademarks featured or referred to within this publication are the property of their respective trademark holders.

# MSI-3460 Challenger 3

Crane Scale



## Approvals



## Standard Features

- Multi-color LED display
- Top lifting eye and bottom swivel hook
- Lb/kg switch selectable
- Six volt rechargeable battery and universal 115/230 VAC, 50/60 Hz battery charger (NA plug standard)
- Meets or exceeds OSHA, ANSI, ASME and other safety design standards (5:1 Ultimate Safety Factor)
- NTEP Certified (250 to 10,000 lb capacities)

## Part Number/Price

Part #	Description	Est. Weight	Price
207063	250 lb (125 kg) 0.1 lb (0.05 kg)	22 lb	\$2,565.00
208091	500 lb (250 kg) 0.2 lb (0.1 kg)	22 lb	\$2,565.00
207064	1,000 lb (500 kg) 0.5 lb (0.2 kg)	22 lb	\$2,715.00
208138	2,000 lb (1,000 kg) 1 lb (0.5 kg)	22 lb	\$2,715.00
207065	5,000 lb (2,500 kg) 2 lb (1 kg)	39 lb	\$3,370.00
208092	10,000 lb (5,000 kg) 5 lb (2 kg)	39 lb	\$3,370.00
207067	15,000 lb (7,000 kg) 5 lb (2 kg)	67 lb	\$5,080.00
207633	250 lb (125 kg), RF Modem 0.1 lb (0.05 kg)	22 lb	\$2,730.00
208096	500 lb (250 kg), RF Modem 0.2 lb (0.1 kg) 22 lb	22 lb	\$2,730.00
207635	1,000 lb (500 kg), RF Modem 0.5 lb (0.2 kg) 22 lb	22 lb	\$2,885.00
208140	2,000 lb (1,000 kg), RF Modem 1 lb (0.5 kg)	22 lb	\$2,885.00
207637	5,000 lb (2,500 kg), RF Modem 2 lb (1 kg) 39 lb	39 lb	\$3,540.00
208098	10,000 lb (5,000 kg), RF Modem 5 lb (2 kg) 39 lb	39 lb	\$3,540.00
207639	15,000 lb (7,000 kg), RF Modem 5 lb (2 kg) 67 lb	67 lb	\$5,270.00
207640	250 lb (125 kg), with Wi-Fi 0.1 lb (0.05 kg) 22 lb	22 lb	\$2,870.00
208100	500 lb (250 kg), with Wi-Fi 0.2 lb (0.1 kg) 22 lb	22 lb	\$2,870.00
207642	1,000 lb (500 kg), with Wi-Fi 0.5 lb (0.2 kg) 22 lb	22 lb	\$3,020.00
208141	2,000 lb (1,000 kg), with Wi-Fi 1 lb (0.5 kg) 22 lb	22 lb	\$3,020.00
207644	5,000 lb (2,500 kg), with Wi-Fi 2 lb (1 kg) 39 lb	39 lb	\$3,675.00
208102	10,000 lb (5,000 kg), with Wi-Fi 5 lb (2 kg) 39 lb	39 lb	\$3,675.00
207646	15,000 lb (7,000 kg), with Wi-Fi 5 lb (2 kg)	67 lb	\$5,410.00

## Options

(Contact MSI for application consultation)

- RF modem install for connectivity to MSI-8000, MSI-8000HD RF, MSI-8004HD RF remote display, TranSend™ and LaserLight2 remote display (Typical range 100-300 ft line of sight)
- Rugged Remote (control for Off, Zero, Tare and other functions) (Requires 3460RF version, typical range 50 ft line of sight)
- Universal direct power supply (115/230 VAC)
- Audible alarm
- Wi-Fi communication is available for specialty applications

## Specifications

### Accuracy:

± 0.1% (+1 d) of applied load

### Resolution:

2,500 d max standard  
(up to 10,000 d max non-standard)

### Enclosure:

NEMA 4, IP65, powder coated cast aluminum

### Lifting Eye & Hook:

Crosby® or equivalent with 360° non-bearing swivel hook

### Design Overload:

200% safe / 500% ultimate

### Functions:

Power, zero, tare, user (programmable)

### Display:

Five-digit, 1.5 in (38 mm) LED with programmable brightness control; toggle between red, orange and green digits

### Displayable Units:

Pounds or kilogram selectable

### Annunciators:

COZ, net, gross, total, peak, low battery, lb/kg, motion, setpoints, ACK IN, ACK OUT, RF

### Power:

6 volt rechargeable battery. 115/230 VAC battery charger is included

### Operating Time:

Up to 80 hours between charging with typical use. Less with optional RF model link

### Temperature Range:

Legal: 14 °F to 104 °F (-10 °C to 40 °C)  
Industrial: -10 °F to 104 °F (-40 °C to 40 °C)

### Auto-Off Mode:

Select for 15, 30, 45, 60 minutes or off

### Auto Sleep Mode:

Power down during non-use and power up with weight change or any key press

### Service Counters:

Counts number of lifts over percentage of capacity and lifts over capacity

### Filtering:

OFF, LO, HI-1, HI-2 selectable

### Warranty:

One-year limited

### Approvals:

NTEP 86-021: 250 to 10,000 lb  
OIML R76/2006-A-NL1-21.36  
\*CE  
\*UKCA

\*Contact RLWS MSI Sales for additional information

OVERHEAD WEIGHING

# MSI-3460 Challenger 3

Crane Scale

## Options/Accessories

Part #	Description	Est. Weight	Price
140049	Battery assembly, 6 volt rechargeable	3 lb	\$155.00
139152	Universal 115/230 VAC, 50/60 Hz battery charger (NA plug standard)	5 lb	\$200.00
139153	Battery charger 115/230 VAC, 50/60 Hz (EC plug standard)	5 lb	\$200.00
197201	Battery charger, 115 VAC, 50/60 Hz (NA plug standard) CEC compliant	5 lb	\$245.00
149549	Universal 115/230 VAC 50/60 Hz (NA plug standard) battery charger for MSI-8000 remote display	3 lb	\$165.00
178004	LaserLight2, 4 in (100 mm) six-digit RF scoreboard (requires MSI-3460 with RF modem)	21 lb	\$2,535.00
178006	LaserLight2, 6 in (150 mm) six-digit RF scoreboard (requires MSI-3460 with RF modem)	37 lb	\$3,005.00
Consult	AC power supply	-	\$325.00
140058	3460 AC conversion kit	1 lb	\$465.00
Consult	Audible alarm	-	\$420.00
Consult	3460 retrofit kit	3 lb	Consult
173014	Rugged remote control (requires MSI-3460 with RF modem)	-	\$355.00
139381	MSI-8000 RF remote display (requires MSI-3460 with RF modem)	5 lb	\$1,415.00
153591	MSI-8000HD ScaleCore RF remote display (requires MSI-3460 with RF modem)	-	\$1,541.00
178281	MSI-8004HD AC, red/green 85~264 VAC, 47~440 Hz, 120~370 VDC	-	\$2,120.00

OVERHEAD  
WEIGHING

# MSI-4260 Port-A-Weigh

Industrial Crane Scale



## Approvals



Measurement  
Canada  
Approved

## Standard Features

- Multi-color LED display
- Top lifting eye or shackle, bottom thrust bearing swivel hook
- 12 volt rechargeable battery and universal 115/230 VAC, 50/60 Hz battery charger (NA plug standard)

## Options

(Contact MSI for application consultation)

- Rugged remote control (control for On/Off, Zero, Tare and other functions)
- RF modem install for connectivity to MSI-8000, MSI-8000HD RF, MSI-8004HD RF remote display, TranSend™ and LaserLight2 remote display. Typically 100 to 300 ft, line of sight; for longer range consult factory
- Anti-heat shielding for high temperature applications
- Substitute bottom swivel hook with shackle
- Oversized top lifting eye or shackle
- Oversized bottom hook
- Universal direct power supply; 85 to 265 VAC, 47 to 440 Hz / 130 to 300 VDC
- Wi-Fi communication is available for specialty applications and for use with the ScaleCore Webservice
- Low headroom top adapter
- Audible alarm
- Custom top and bottom interfaces
- Factory Mutual and ATEX approved intrinsically safe models available

## Part Number/Price

Part #	Description	Resolution	Est. Weight	Price
197760	500 lb (250 kg), swivel hook, F/A	0.2 lb (0.1 kg)	53 lb	\$5,305.00
197761	2,000 lb (1,000 kg), swivel hook, F/A	1.0 lb (0.5 kg)	53 lb	\$5,310.00
197762	5,000 lb (2,500 kg), swivel hook, F/A	1.0 lb (0.5 kg)	62 lb	\$5,475.00
197763	10,000 lb (5,000 kg), swivel hook, F/A	2.0 lb (1.0 kg)	62 lb	\$6,005.00
197764	20,000 lb (10,000 kg), swivel hook, F/A	5.0 lb (2.0 kg)	105 lb	\$6,950.00
197765	30,000 lb (15,000 kg), swivel hook, F/A	10 lb (5.0 kg)	125 lb	\$7,040.00
197766	50,000 lb (25,000 kg), swivel hook, F/A	10 lb (5.0 kg)	235 lb	\$12,380.00
197767	70,000 lb (35,000 kg), swivel hook, F/A	20 lb (10 kg)	270 lb	\$17,480.00
197768	100,000 lb (50,000 kg), swivel hook, F/A	20 lb (10 kg)	420 lb	\$25,345.00

## Specifications

### Accuracy:

± 0.1% +1d of applied load

### Resolution:

2,000 to 5,000 d standard  
(Up to 10,000 d available)

### Enclosure:

NEMA Type 4, IP66 marine grade 356 alloy anodized cast aluminum

### Lifting Eye, Shackle & Hook:

Crosby® or equal with 360° thrust-bearing swivel hook

### Design Overload:

200% Safe / 500% Ultimate (except where noted)

### Functions:

Power, zero, tare, F1 (programmable)

### Display:

1.2" (30 mm), 5-digit, programmable LED display, multi-color (red, orange, and green)

### Displayable Units:

Pounds or kilograms selectable

### Annunciators:

COZ, Net, Gross, Total, Peak, Low Battery, lb/kg, Motion, Setpoints

### Power:

12 Volt rechargeable battery (115/230 VAC battery charger is included)

### Operating Time:

Up to 200 hours between charging with typical use, less with optional RF modem

### Temperature Range:

Operating: -40 °F to 122 °F (-40 °C to 50 °C)  
Certified: 14 °F to 104 °F (-10 °C to 40 °C)

### Auto-Off Mode:

Select for 15, 30, 45 minutes, 1 hour or off

### Auto Sleep Mode:

Power down during non-use and power up with weight change or any key press

### Service Counters:

Counts number of lifts over percentage of capacity and lifts over capacity

### Filtering:

OFF, LO, HI-1, HI-2 selectable

### Warranty:

One-year limited

### Approvals:

NTEP CC 19-122: 500 to 70,000 lb  
Measurement Canada AM-6198: 500 to 5,000 lb

OVERHEAD  
WEIGHING

# MSI-4260 Port-A-Weigh

Industrial Crane Scale

## Options/Accessories

Part #	Description	Est. Weight	Price
150971	MSI RF modem option kit (used with MSI-4260, MSI-4260M, MSI-9600HT)	-	\$250.00
139381	MSI-8000 RF remote display (requires MSI-4260 equipped with RF modem)	5 lb	\$1,415.00
173014	RF rugged remote control (requires MSI-4260 equipped with RF modem)	-	\$355.00
153591	MSI-8000HD remote display, AC power and tilt bracket option (requires MSI-4260 equipped with RF modem)	3 lb	\$1,541.00
178281	MSI-8004HD AC, red/green 85~264 VAC, 47~440 Hz, 120~370 VDC (requires MSI-4260 equipped with RF modem)	-	\$2,120.00
159221	Universal crane scale transport cart	180 lb	\$1,340.00
178004	LaserLight2, 4 in (100 mm) six-digit RF scoreboard (requires MSI-4260 equipped with RF modem)	21 lb	\$2,535.00
178006	LaserLight2, 6 in (150 mm) six-digit RF scoreboard (requires MSI-4260 equipped with RF modem)	37 lb	\$3,005.00
Consult	AC direct power supply	-	\$560.00
Consult	Audible alarm	-	\$420.00
Consult	Anti-heat shield	-	\$1,125.00
Consult	4260 retrofit kit	5 lb	Consult
176956	MSI Wi-Fi modem option kit (used in MSI-4260, MSI-4260M, MSI-6360, MSI-9600HT)	-	\$490.00
150367	Battery assembly, 12 V rechargeable	7 lb	\$145.00
138006	Universal 115/230 VAC, 50/60 Hz battery charger (NA plug standard)	4 lb	\$345.00
138007	Universal 115/230 VAC, 50/60 Hz battery charger (UK plug standard)	4 lb	\$345.00
138008	Universal 115/230 VAC, 50/60 Hz battery charger (EC plug standard)	4 lb	\$345.00
149549	Universal 115/ 230 VAC 50/60 Hz (NA plug standard) battery charger for MSI-8000 remote display	3 lb	\$165.00
<b>4260 Sub Hook with Shackle</b>			
Consult	500 to 10,000 lb, 6.5 ton shackle	-	Consult
Consult	20,000 to 30,000 lb, 17 ton shackle	-	Consult
Consult	50,000 lb, 25 ton shackle	-	Consult
Consult	70,000 lb, 40 ton shackle	-	Consult
Consult	100,000 lb, 55 ton shackle	-	Consult
<b>4260 Oversize Lifting Eye/Shackle</b>			
Consult	500 to 10,000 lb capacity	-	Consult
Consult	20,000 to 30,000 lb capacity, adapter with 25 ton shackle	-	Consult
Consult	50,000 to 70,000 lb capacity	-	Consult
Consult	100,000 lb capacity	-	Consult

OVERHEAD  
WEIGHING

# MSI-4260 IS Port-A-Weigh

Intrinsically Safe Crane Scale



## Approvals



## Standard Features

- LED display
- Top lifting eye or shackle, bottom thrust bearing swivel hook
- 12 volt rechargeable battery and universal 115/230 VAC, 50/60 Hz battery charger (NA plug standard)

(Contact MSI for application consultation)

## Part Number/Price

Part #	Description	Resolution	Price
156013	500 lb (250 kg), swivel hook	0.2 lb (0.1 kg)	\$7,085.00
156014	2,000 lb (1,000 kg), swivel hook	1.0 lb (0.5 kg)	\$7,085.00
156015	5,000 lb (2,500 kg), swivel hook	1.0 lb (0.5 kg)	\$7,085.00
156016	10,000 lb (5,000 kg), swivel hook	2.0 lb (1.0 kg)	\$7,085.00
156017	20,000 lb (10,000 kg), swivel hook	5.0 lb (2.0 kg)	\$8,970.00
156018	30,000 lb (15,000 kg), swivel hook	10 lb (5.0 kg)	\$8,970.00
156019	50,000 lb (25,000 kg), swivel hook	10 lb (5.0 kg)	\$13,225.00
156020	70,000 lb (35,000 kg), swivel hook	20 lb (10 kg)	\$15,635.00
156021	100,000 lb (50,000 kg), swivel hook	20 lb (10 kg)	\$24,075.00

Capacities over 70,000lb are not NTEP

## Options/Accessories

Part #	Description	Price
170606	Battery charger	\$330.00
167777	Spare battery	\$295.00

## Specifications

### Accuracy:

± (0.1% +1 d) of applied load

### Resolution:

3,000 to 5,000 d standard  
(up to 10,000 d available)

### Enclosure:

NEMA Type 4, IP66 marine grade 356 alloy  
anodized cast aluminum

### Intrinsic Safety:

USA Listings  
FM16US0156X  
IS Class I, Division 1, Groups C, D; T4 - PN 184530  
IS Class II, Division 1, Groups, E, F, G; T4; Class III,  
Division 1 - PN 184530  
Class I, Zone 0, AEx ia IIB T4 Ga - PN 184530  
Class I, Zone 20, AEx ia IIIC T135°C Da - PN 184530  
Ta = -20 °C to +50 °C  
Canada Listings  
FM16CA0092X  
Ex ia Class I, Division 1, Groups C, D; T4 - PN 184530  
Ex ia Class II, Division 1, Groups E, F, G, Class III,  
Division 1; T4 - PN 184530  
Class I, Zone 0, Ex ia IIB T4 Ga - PN 184530  
Class I, Zone 20, Ex ia IIIC T135°C Da - PN 184530  
TA = -10 °C to +50 °C  
ATEX / UKEX Listings  
FM18ATEX0052X  
FM21UKEX0104X  
II 1 G Ex ia IIB T4 Ga  
II 1 D Ex ia IIIC T135°C Da  
-10 °C Ta +50 °C

### Lifting Eye, Shackle & Hook:

Crosby® or equal with 360° thrust-bearing  
swivel hook

### Design Overload:

200% Safe / 500% Ultimate (except where noted)

### Functions:

Power, zero, tare, Mode F1 (programmable)

### Display:

Five-digit, 1.2 in (30 mm) LED with  
programmable brightness control

### Displayable Units:

Pounds or kilograms selectable

### Annunciators:

COZ, Net, Gross, Total, Peak, Low Battery, lb/kg,  
Motion, Setpoints

### Power:

12 volt rechargeable battery  
115/230 VAC approved battery charger is included

### Temperature Range:

Certified: -10 °C to 40 °C

### Operating Time:

Up to 200 hours between charging with typical use

### Auto-Off Mode:

Select for 15, 30, 45 minutes, 1 hour or Off

### Auto Sleep Mode:

Power down during non-use and power up with  
weight change or any key press

### Service Counters:

Counts number of lifts over percentage of capacity  
and lifts over capacity

### Filtering:

OFF, LO, HI-1, HI-2 selectable

### Warranty:

One-year limited

### Approvals:

NTEP 19-122: 500 to 70,000 lb  
Measurement Canada AM-6198: 500 to 5,000 lb  
cFMus Approved

# MSI-4260M Port-A-Weigh

Industrial Crane Scale



## Standard Features

- LCD display
- IP66 cast aluminum
- Top lifting eye or shackle, bottom thrust bearing swivel hook
- Battery operated, six (6) D cell 1.5V alkaline batteries or 12 volt rechargeable battery (115/230 VAC battery charger is included)

## Options

(Contact MSI for application consultation)

- Rugged Remote (control for On/Off, Zero, Tare and other functions)
- RF modem install for connectivity to MSI-8000, MSI-8000HD RF, MSI-8004HD RF remote display, TranSend™ and LaserLight2 remote display
- Wi-Fi communication is available for specialty applications
- Anti-heat shielding for high temperature applications
- Substitute bottom swivel hook with shackle
- Oversized top lifting eye or shackle
- Oversized bottom hook
- Universal direct power supply; 85 to 265 VAC, 47 to 440 Hz / 130 to 300 VDC
- Low headroom top adapter
- Audible alarm
- Custom top and bottom interfaces

## Specifications

### Accuracy:

± 0.1% +1 d of applied load

### Resolution:

Max NTEP Approved Class III: 2,500 d  
Max NTEP Approved Class IIII: 5,000 d  
Max Non-NTEP Approved: 10,000 d

### Enclosure:

IP66 cast aluminum

### Lifting Eye, Shackle & Hook:

Crosby® or equal with 360° thrust-bearing swivel hook

### Design Overload:

200% Safe / 500% Ultimate (except where noted)

### Functions:

Power: Turns Unit ON or OFF  
Zero: Zeros applied load up to 100% of capacity (limited range in NTEP configuration)  
Tare: Tares applied load and displays weight in Net mode  
User: Programmable as test, total, unit, peak hold, net/gross, view total and print

### Display:

Five-digit, 1.75 in (44.5 mm) LCD with programmable brightness control

### Displayable Units:

Pounds or kilograms selectable

### Annunciators:

COZ, Battery Level, Net, Total, lb/kg, Stability, RF and Setpoint LEDs

### Power:

Battery operated, six (6) D cell 1.5V alkaline batteries or 12 volt rechargeable battery (115/230 VAC battery charger is included)

### Operating Time:

Six (6) D Cell 1.5V alkaline batteries:  
Up to 1,000 hours of battery life with typical use, less with RF modem  
12 volt rechargeable battery: Up to 250 hours between charging with typical use, less with RF modem

### Temperature Range:

Operating: -20 °F to 122 °F (-28 °C to 50 °C)  
Certified: 14 °F to 104 °F (-10 °C to 40 °C)

### Auto-Off Mode:

Powers off after the scale is not used for the set time (in minutes); 15, 30, 45, 60 or OFF selectable

### Auto Sleep Mode:

Power down during non-use after the set time (in minutes) and powers up with weight change or any key press; 5, 15, 30 or OFF selectable

### Service Counters:

Counts number of lifts over percentage of capacity and lifts over capacity

### Filtering:

OFF, LO, HI-1 or HI-2 selectable

### Radio Link:

802.15.4 at 2.4 GHz

### Radio Effective Range:

Typically 100 to 300 ft line of sight

### Warranty:

One-year limited

### Approvals:

NTEP CC 19-122: 500 to 70,000 lb  
Measurement Canada AM-6198: 500 to 5,000 lb

## Approvals



Measurement  
Canada  
Approved

## Part Number/Price

Part #	Description	Resolution	Est. Weight	Price
<b>4260M with LCD display, Swivel Hook, No RF, 12V SLA Battery</b>				
201951	500 lb (250 kg) with 12V battery F/A	0.2 lb (0.1 kg)	53 lb	\$5,260.00
201953	2,000 lb (1,000 kg) with 12V battery F/A	1.0 lb (0.5 kg)	53 lb	\$5,265.00
201954	5,000 lb (2,500 kg) with 12V battery F/A	1.0 lb (0.5 kg)	62 lb	\$5,610.00
201955	10,000 lb (5,000 kg) with 12V battery F/A	2.0 lb (1.0 kg)	62 lb	\$5,845.00
201956	20,000 lb (10,000 kg) with 12V battery F/A	5.0 lb (2.0 kg)	105 lb	\$7,620.00
201957	30,000 lb (15,000 kg) with 12V battery F/A	10 lb (5.0 kg)	125 lb	\$8,005.00
201958	50,000 lb (25,000 kg) with 12V battery F/A	10 lb (5.0 kg)	235 lb	\$12,255.00
201959	70,000 lb (35,000 kg) with 12V battery F/A	20 lb (10 kg)	270 lb	\$16,040.00
201960	100,000 lb (50,000 kg) with 12V battery F/A	20 lb (10 kg)	420 lb	\$24,400.00
<b>4260M with LCD display, Swivel Hook, No RF, D-Cell Battery</b>				
201999	500 lb (250 kg) with D-cell battery F/A	0.2 lb (0.1 kg)	53 lb	\$5,265.00
202000	2,000 lb (1,000 kg) with D-cell battery F/A	1.0 lb (0.5 kg)	53 lb	\$5,265.00
202001	5,000 lb (2,500 kg) with D-cell battery F/A	1.0 lb (0.5 kg)	62 lb	\$5,610.00
202002	10,000 lb (5,000 kg) with D-cell battery F/A	2.0 lb (1.0 kg)	62 lb	\$5,845.00
202003	20,000 lb (10,000 kg) with D-cell battery F/A	5.0 lb (2.0 kg)	105 lb	\$7,620.00
202004	30,000 lb (15,000 kg) with D-cell battery F/A	10 lb (5.0 kg)	125 lb	\$8,005.00
202005	50,000 lb (25,000 kg) with D-cell battery F/A	10 lb (5.0 kg)	235 lb	\$12,255.00
202006	70,000 lb (35,000 kg) with D-cell battery F/A	20 lb (10 kg)	270 lb	\$16,040.00
202007	100,000 lb (50,000 kg) with D-cell battery F/A	20 lb (10 kg)	420 lb	\$24,400.00

Capacities over 70,000lb are not NTEP and capacities over 5,000lb are not currently Measurement Canada

OVERHEAD  
WEIGHING

# MSI-4260M Port-A-Weigh

Industrial Crane Scale

## Options/Accessories

Part #	Description	Est. Weight	Price
150971	MSI RF modem option kit (used in MSI-4260, MSI-4260M, MSI-9600HT)	-	\$250.00
139381	MSI-8000 RF remote display (requires MSI-4260M equipped with RF modem)	5 lb	\$1,415.00
173014	RF rugged remote control (requires MSI-4260M equipped with RF modem)	-	\$355.00
153591	MSI-8000HD remote display, AC power and tilt bracket option (requires MSI-4260M equipped with RF modem)	3 lb	\$1,541.00
178281	MSI-8004HD AC, red/green 85~264 VAC, 47~440 Hz, 120~370 VDC	-	\$2,120.00
159221	Universal crane scale transport cart	180 lb	\$1,340.00
178004	LaserLight2, 4 in (100 mm) six-digit RF scoreboard (requires MSI-4260M equipped with RF modem)	21 lb	\$2,535.00
178006	LaserLight2, 6 in (150 mm) six-digit RF scoreboard (requires MSI-4260M equipped with RF modem)	37 lb	\$3,005.00
176956	MSI Wi-Fi modem option kit (used in MSI-4260, MSI-4260M, MSI-6360, MSI-9600HT)	-	\$490.00
<b>Accessories</b>			
150367	Battery assembly, 12V rechargeable	7 lb	\$145.00
138006	Universal 115/230 VAC, 50/60 Hz battery charger (NA plug standard)	4 lb	\$345.00
138007	Universal 115/230 VAC, 50/60 Hz battery charger (UK plug standard)	4 lb	\$345.00
138008	Universal 115/230 VAC, 50/60 Hz battery charger (EC plug standard)	4 lb	\$345.00
149549	Universal 115/ 230 VAC 50/60 Hz (NA plug standard) battery charger for MSI-8000 remote display	3 lb	\$165.00
<b>4260 Sub Hook with Shackle</b>			
Consult	500 to 10,000 lb, 6.5 ton shackle	-	Consult
Consult	20,000 to 30,000 lb, 17 ton shackle	-	Consult
Consult	50,000 lb, 25 ton shackle	-	Consult
Consult	70,000 lb, 40 ton shackle	-	Consult
Consult	100,000 lb, 55 ton shackle	-	Consult
<b>4260 Oversize Lifting Eye/Shackle</b>			
Consult	500 to 10,000 lb capacity	-	Consult
Consult	20,000 to 30,000 lb capacity, adapter with 25 ton shackle	-	Consult
Consult	50,000 to 70,000 lb capacity	-	Consult
Consult	100,000 lb capacity	-	Consult

OVERHEAD  
WEIGHING



# MSI-4260M Port-A-Weigh

Marine Crane Scale



## Standard Features

- LCD display
- IP66 cast aluminum
- Top lifting eye with lower link interface
- Battery operated, six (6) D cell 1.5V alkaline batteries

## Options

(Contact MSI for application consultation)

- Rugged Remote (control for On/Off, Zero, Tare and other functions)
- RF modem install for connectivity to MSI-8000, MSI-8000HD, MSI-8004HD, TranSend™ and LaserLight2 remote display. Typically 100 to 300 ft, line of sight; for longer range consult factory.
- Wi-Fi communication is available for specialty applications

## Specifications

### Accuracy:

± (0.1% +1d) of applied load

### Resolution:

Max NTEP Approved Class III: 2,500 Divisions  
Max NTEP Approved Class IIII: 5,000 Divisions  
Max Non NTEP Approved: 10,000 Divisions

### Enclosure:

IP66 cast aluminum

### Lifting Eye, Link & Hook:

Top lifting eye with lower link interface

### Design Overload:

200% Safe / 500% Ultimate

### Functions:

Power: Turns Unit ON or OFF  
Zero: Zeros applied load up to 100% of capacity (limited range in NTEP configuration),  
Tare: Tares applied load and displays weight in Net mode  
User: Programmable as test, total, unit, peak hold, net/gross, view total and print

### Display:

Five-digit, 1.75 in (44.5 mm) LCD with programmable brightness control

### Displayable Units:

Pounds or kilograms selectable

### Annunciators:

COZ, Battery Level, Net, Total, lb/kg, Stability, RF and Setpoint LEDs

### Power:

Battery operated, six (6) D cell 1.5 V alkaline batteries

### Operating Time:

Up to 1,000 hours of battery life with typical use, less with RF modem option

### Temperature Range:

Operating: -20° F to 122° F (-28 °C to 50 °C)  
Certified: 14 °F to 104 °F (-10 °C to 40 °C)

### Auto-Off Mode:

Powers off after the scale is not used for the set time (in minutes); 15, 30, 45, 60 or OFF selectable

### Auto Sleep Mode:

Power down during non-use after the set time (in minutes) and powers up with weight change or any key press; 5, 15, 30 or OFF selectable

### Service Counters:

Counts number of lifts over percentage of capacity and lifts over capacity

### Filtering:

OFF, LO, HI-1 or HI-2 selectable

### Radio Link:

802.15.4 at 2.4 GHz

### Radio Effective Range:

Typically 100 to 300 ft line of sight

### Warranty:

One-year limited

### Approvals:

NTEP CC 19-122: 500 to 70,000 lb  
Measurement Canada AM-6198: 500 to 5,000 lb

## Approvals



Measurement  
Canada  
Approved

## Part Number/Price

Part #	Description	Resolution	Est. Weight	Price
194593	5,000 lb	1.0 lb (0.5 kg)	58 lb	\$5,310.00
196908	5,000 lb w/RF	1.0 lb (0.5 kg)	58 lb	\$5,640.00

## Options/Accessories

Part #	Description	Est. Weight	Price
139381	MSI-8000 RF remote display (requires MSI-4260M equipped with RF modem)	5 lb	\$1,415.00
173014	RF rugged remote control (requires MSI-4260M equipped with RF modem)	-	\$355.00
153591	MSI-8000HD remote display, AC power and tilt bracket option (requires MSI-4260M equipped with RF modem)	3 lb	\$1,541.00
178281	MSI-8004HD AC, red/green 85~264 VAC, 47~440 Hz, 120~370 VDC	-	\$2,120.00
159221	Universal crane scale transport cart	180 lb	\$1,340.00
178004	LaserLight2, 4 in (100 mm) six-digit RF scoreboard (requires MSI-4260M equipped with RF modem)	21 lb	\$2,535.00
178006	LaserLight2, 6 in (150 mm) six-digit RF scoreboard (requires MSI-4260M equipped with RF modem)	37 lb	\$3,005.00
176956	MSI Wi-Fi modem option kit (used in MSI-4260, MSI-4260M, MSI-6360, MSI-9600HT)	-	\$490.00

OVERHEAD  
WEIGHING

# MSI-9600HT Hi-Torque Port-A-Weigh Plus

High Torque Crane Scale



## Options

(Contact MSI for application consultation)

- Top shackle
- Rugged Remote (control for on/off, zero, tare and other functions)
- Anti-heat shielding for high-temperature applications
- Substitute bottom hook with shackle
- Oversized top or shackle
- Oversized bottom hooks
- Universal direct power supply
- Wi-Fi communication is available for specialty applications
- RF modem install for connectivity to MSI-8000, MSI-8000HD RF, MSI-8004HD RF remote display, TranSend™ and LaserLight2 remote display
- Typically 100 to 300 ft, line of sight; for longer range consult factory
- Low headroom top adapter
- Audible alarm
- Custom top and bottom interfaces

## Specifications

### Accuracy:

10,000 to 120,000 lb: ± (0.1% +1 d) of capacity  
200,000 lb: ± (0.2% +1 d) of capacity

### Resolution:

3,000 to 5,000 d standard  
(Up to 10,000 d available)

### Enclosure:

NEMA Type 4, IP66, marine grade 356 alloy anodized cast aluminum

### Lifting Eye, Shackle & Hook:

Shackle is optional and Crosby® fixed hook provided as standard

### Design Overload:

200% Safe / 500% Ultimate (except where noted)

### Functions:

Power: Turns unit on or off  
Zero: Zeros applied load up to 100% of capacity  
Tare: Tares applied load and displays weight in net  
Mode F1: Programmable as test, units, net/gross, total and peak hold

### Display:

1.5" (38 mm, 6-digit, programmable LED display, multi-color (red, orange, and green)

### Displayable Units:

Pounds or kilograms selectable

### Power:

12 Volt rechargeable battery, 115/230 VAC battery charger included

### Operating Time:

Up to 30 hours between charging with typical use

### Temperature Range:

Operating: 14 °F to 131 °F (-10 °C to 55 °C)

### Filtering:

OFF, LO, HI-1 or HI-2 selectable

### Radio Link:

802.15.4 at 2.4 GHz

### Radio Link Effective Range:

Typically 100 to 300 ft line of sight

### Warranty:

One-year limited

## Standard Features

- Multi-color LED display
- 12 volt rechargeable battery and universal 115/230 VAC, 50/60 Hz battery charger (NA plug standard)
- Hi-torque load train designed for use with powered rotation

## Part Number/Price

Part #	Description	Resolution	Est. Weight	Price
214371	10,000 lb (5000 kg) F/A	2.0 lb (1.0 kg)	62 lb	\$14,400.00
214370	30,000 lb (15,000 kg) F/A	10 lb (5.0 kg)	125 lb	\$14,400.00
214369	70,000 lb (35,000 kg) F/A	20 lb (10 kg)	270 lb	\$21,800.00
214477	100,000 lb (50,000 kg) F/A	20 lb (10 kg)	420 lb	Consult
214474	120,000 lb (60,000 kg) F/A	50 lb (20 kg)	550 lb	Consult
214479*	200,000 lb (100,000 kg) F/A	100 lb (50 kg)	1,100 lb	Consult

\* 400% Ultimate overload

## Options/Accessories

Part #	Description	Est. Weight	Price
144126	Top lifting shackle 9.5 ton for 10,000 lb cap unit	-	Consult
141992	Top lifting shackle Crosby® G2130 17 ton for 30,000 lb cap unit	-	Consult
146335	Top lifting shackle Crosby® G2140 40 ton for 70,000 lb cap unit	-	Consult
146336	Top lifting shackle Crosby® G2140 55 ton for 120,000 lb cap unit	-	Consult
150971	MSI RF modem option kit (used in MSI-4260, MSI-4260M, MSI-9600HT)	3 lb	\$250.00
173014	RF rugged remote control (requires MSI-9600HT equipped with RF modem)	-	\$355.00
153591	MSI-8000HD RF remote display AC powered (no A/D)	180 lb	\$1,541.00
178004	LaserLight2, 4 in (100 mm) six-digit RF scoreboard	21 lb	\$2,535.00
178006	LaserLight2, 6 in (150 mm) six-digit RF scoreboard	37 lb	\$3,005.00
159221	Universal crane scale transport cart	-	\$1,340.00
Consult	AC direct power supply	-	\$560.00
Consult	Anti-heat shield	-	\$1,125.00
Consult	Audible alarm	-	\$420.00
176956	MSI Wi-Fi modem option kit (used in MSI-4260, MSI-4260M, MSI-6360, MSI-9600HT)	-	\$490.00
<b>Accessories</b>			
150367	Battery assembly, 12V rechargeable	7 lb	\$145.00
138006	Universal 115/230 VAC, 50/60 Hz battery charger (NA plug standard)	4 lb	\$345.00
138007	Universal 115/230 VAC, 50/60 Hz battery charger (UK plug standard)	4 lb	\$345.00
138008	Universal 115/230 VAC, 50/60 Hz battery charger (EC plug standard)	4 lb	\$345.00

OVERHEAD WEIGHING

# MSI-6360 Trans-Weigh

Crane Scale



**NEW**

## Approvals



## Standard Features

- Top lifting eye or shackle, bottom thrust bearing swivel hook
- 12 volt rechargeable battery and universal 115/230 VAC, 50/60 Hz battery charger (NA plug standard)
- RF modem install for connectivity to MSI-8000, MSI-8000HD RF, MSI-8004HD RF remote display, TranSend™ and LaserLight2 remote display. Typically 100 ft – 300 ft, line of sight; for longer range consult factory.
- Meets or exceeds OSHA, ANSI, ASME and other safety design standards (5:1 Ultimate Safety Factor)

## Part Number/Price

Part #	Description	Resolution	Est. Weight	Price
215829	500 lb (250 kg) F/A	0.2 lb (0.1 kg)	53 lb	\$5,700.00
215830	2,000 lb (1000 kg) F/A	1.0 lb (0.5 kg)	53 lb	\$5,700.00
215831	5,000 lb (2500 kg) F/A	1.0 lb (0.5 kg)	62 lb	\$5,800.00
215832	10,000 lb (5000 kg) F/A	2.0 lb (1.0 kg)	62 lb	\$6,350.00
215833	20,000 lb (10,000 kg) F/A	5.0 lb (2.0 kg)	105 lb	\$7,350.00
215834	30,000 lb (15,000 kg) F/A	10 lb (5.0 kg)	125 lb	\$7,450.00
215835	50,000 lb (25,000 kg) F/A	10 lb (5.0 kg)	235 lb	\$14,850.00
215836	70,000 lb (35,000 kg) F/A	20 lb (10 kg)	270 lb	\$20,775.00
215837	100,000 lb (50,000 kg) F/A	20 lb (10 kg)	420 lb	\$31,500.00

## Options

(Contact MSI for application consultation)

- Anti-heat shielding for high-temperature applications
- Rugged Remote (control for on/off, zero, tare, and other functions)
- Substitute bottom swivel hook with shackle
- Oversized top lifting eye or shackle
- Oversized bottom hook
- Low headroom top adapter
- Universal direct power supply; 85 to 265 VAC, 47 to 440 Hz / 130 to 300 VDC
- Wi-Fi communication is available for specialty applications
- Custom top and bottom interfaces
- Crane scale cart

## Specifications

### Accuracy:

± (0.1% +1 d) of capacity

### Resolution:

3,000 to 5,000 d standard  
(Up to 10,000 d available)

### Enclosure:

NEMA Type 4, IP66, marine grade 356 alloy anodized cast aluminum

### Lifting Eye, Shackle & Hook:

Crosby® or equivalent with 360° thrust-bearing swivel hook

### Design Overload:

200% Safe / 500% Ultimate (except where noted)

### Functions:

On/Off

### Displayable Units:

Pounds or kilograms selectable

### Power:

12 Volt rechargeable battery, 115/230 VAC battery charger included

### Operating Time:

Up to 40 hours between charging with typical use

### Temperature Range:

Operating: -40 °F to 176 °F (-40 °C to 80 °C)  
Certified: 14 °F to 104 °F (-10 °C to 40 °C)

### Calibration:

Digital via MSI ScaleCore remote device

### Radio Link:

802.15.4 at 2.4 GHz

### Radio Link Effective Range:

Typically 100 to 300 ft line of sight

### Warranty:

One-year limited

### Approvals:

NTEP 19-122: 500 to 70,000 lb

OVERHEAD  
WEIGHING

# MSI-6360 Trans-Weigh

Crane Scale

## Options/Accessories

Part #	Description	Est. Weight	Price
144773	MSI RF Module, XBEE-PRO 802.15.4		\$136.50
139381	MSI-8000 Remote Display	5lb	\$1,415.00
173014	RF Rugged remote control	1 lb	\$355.00
153591	MSI-8000HD RF remote display AC powered ( no A/D)	4 lb	\$1,541.00
178281	MSI-8004HD AC, red/green 85~264 VAC, 47~440 Hz, 120~370 VDC	-	\$2,120.00
178004	4in LaserLight2 MSI RF	21 lb	\$2,535.00
178006	6in LaserLight2 MSI RF	37 lb	\$3,005.00
159221	Universal crane scale transport cart	180 lb	\$1,340.00
175308	MSI WiFi Modem 802.11 b/g		\$136.50
Consult	AC power supply	-	\$560.00
Consult	Anti-heat shield	-	\$1,125.00
Consult	Audible alarm	-	\$420.00
Consult	4260 retrofit kit	5 lb	Consult
<b>6360 Sub Hook with Shackle</b>			
Consult	500 to 10,000 lb, 6.5 ton shackle	-	Consult
Consult	20,000 to 30,000 lb, 17 ton shackle	-	Consult
Consult	50,000 lb, 25 ton shackle	-	Consult
Consult	70,000 lb, 40 ton shackle	-	Consult
Consult	100,000 lb, 55 ton shackle	-	Consult
<b>6360 Oversize Lifting Eye/Shackle</b>			
Consult	500 to 10,000 lb capacity	-	Consult
Consult	20,000 to 30,000 lb capacity, adapter with 25 ton shackle	-	Consult
Consult	50,000 to 70,000 lb capacity	-	Consult
Consult	100,000 lb capacity	-	Consult
<b>Accessories</b>			
150367	Battery assembly, 12 volt rechargeable	6.6 lb	\$145.00
138006	Universal 115/230 VAC, 50/60 Hz battery charger (NA plug standard)	4 lb	\$345.00
138007	Universal 115/230 VAC, 50/60 Hz battery charger (UK plug standard)	4 lb	\$345.00
138008	Universal 115/230 VAC, 50/60 Hz battery charger (EC plug standard)	4 lb	\$345.00

OVERHEAD  
WEIGHING

# RL101 Scale

Compact Digital Below-the-Hook Scale



## Specifications

**Accuracy:**

+/- 0.03% of Capacity

**Resolution:**

3,000d standard

**Enclosure:**

IP54, oven-fired painted steel

**Shackles:**

Forged, Alloy Steel (6:1 safety factor)

**Design Overload:**

150% Safe / 500% Ultimate

**Functions:**

5-Key - Zero, Tare, Mode, Print, On/OFF

**Display:**

1 in (25 mm) backlight, LCD

**Displayable Units:**

Pounds and kilograms, selectable

**Annunciators:**

CO2, Net, Gross, Low Batt, lb/kg/t, Motion, Active Weight Range, Tare

**Power:**

4 "AA" Batteries (supplied)

**Operating Time:**

Up to 40 hours, standard configuration

**Temperature Range:**

Operating: 14 °F to 104 °F (-10 °C to 40 °C)

**Auto-Off Mode:**

Off, 1-minute intervals (programmable)

**Filtering:**

Various:

Overhead Weighing-dYn.0, dYn.1, dYn.2, dYn.3

**Warranty:**

One-year limited

## Standard Features

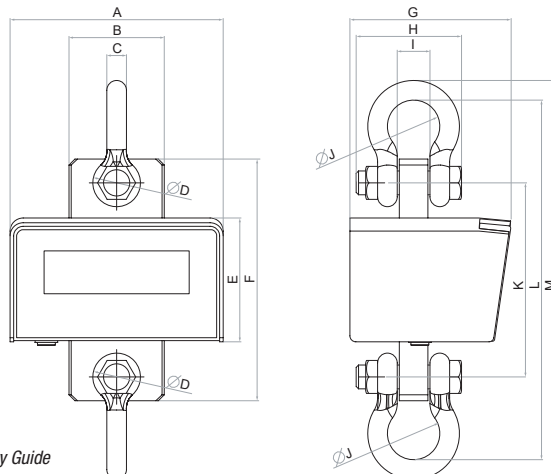
- Low headroom (14.5 in - 16.65 in)
- Infrared remote control (up to 25 ft)
- Carrying case
- Single and multi-point calibration
- Upper and lower shackles

## Part Number/Price

Part #	Description	Resolution	Est. Weight	Price
219144	3k Capacity (0-600 lbs / 601-1,500 lbs / 1,501-3,000 lbs)	0.2 / 0.5 / 1 lb	25 lb	\$1,750.00
219145	6k Capacity (0-1,500 lbs / 1,501-3,000 lbs / 3,002-6,000 lbs)	0.5 / 1 / 2 lb	32 lb	\$1,950.00
219147	12k Capacity (0-3,000 lbs / 3,002-6,000 lbs / 6,005-12,000 lbs)	1 / 2 / 5 lb	32 lb	\$2,100.00

## Dimensions

RL101 3k / 6K & 12k			
A	7.09 in (180 mm)	H	3.48 in (88.5 mm) / 4.76 in (121 mm)
B	3.15 in (80 mm)	I	3.48 in (88.5 mm) / 4.76 in (121 mm)
C	0.63 in (16 mm) / 0.87 in (22 mm)	J	1.69 in (43 mm) / 2.28 in (58 mm)
D	1.58 in (40) / 2.17 in (55 mm)	K	7.72 in (196 mm) / 7.32 in (186 mm)
E	4.09 in (104 mm)	L	13.19 in (335 mm) / 14.92 in (379 mm)
F	9.69 in (246 mm)	M	14.49 in (368 mm) / 16.65 in (423 mm)
G	5.35 in (136 mm)		



\*Please review the Overhead Weighing Safety Guide

# Crane Scale Cart

Universal Transport and Storage Cart



## Standard Features

- Designed to hold MSI-4260, MSI-4260IS, MSI-4260M, MSI-4300, MSI-9600HT, MSI-6360
- Four swivel casters with brake
- Powder coated mild steel

## Specifications

### Warranty:

One-year limited

## Part Number/Price

Part #	Description	Est. Weight	Price
<b>159221</b>	Universal MSI Crane Scale Cart	180 lb	\$1,340.00
<b>Consult</b>	Modified versions of universal MSI Crane Scale Cart	-	Consult

OVERHEAD  
WEIGHING

# MSI-7300 Dyna-Link 2

Digital Tension Dynamometer



Shown with optional shackles

## Part Number/Price

Part #	Description	Resolution	Est. Weight	Price
139162	1,000 lb (500 kg) F/A	0.5 lb (0.2 kg)	8 lb	\$1,610.00
139163	2,500 lb (1,250 kg) F/A	1 lb (0.5 kg)	9 lb	\$1,610.00
139164	5,000 lb (2,500 kg) F/A	2 lb (1.0 kg)	9 lb	\$1,610.00
139165	10,000 lb (5,000 kg) F/A	5 lb (2.0 kg)	11 lb	\$1,730.00
139166	25,000 lb (12,500 kg) F/A	10 lb (5 kg)	19 lb	\$2,310.00
139167	50,000 lb (25,000 kg) F/A	20 lb (10 kg)	29 lb	\$3,000.00
139168*	100,000 lb (50,000 kg) F/A	50 lb (20 kg)	65 lb	\$3,910.00
<b>Optional Configurations (for connectivity to MSI-8000 RF Remote Display) F/A</b>				
139441	1,000 lb (500 kg) RF module	0.5 lb (0.2 kg)	8 lb	\$1,810.00
139442	2,500 lb (1,250 kg) RF module	1 lb (0.5 kg)	9 lb	\$1,810.00
139443	5,000 lb (2,500 kg) RF module	2 lb (1 kg)	9 lb	\$1,810.00
139444	10,000 lb (5,000 kg) RF module	5 lb (2 kg)	11 lb	\$1,930.00
139445	25,000 lb (12,500 kg) RF module	10 lb (5 kg)	19 lb	\$2,500.00
139446	50,000 lb (25,000 kg) RF module	20 lb (10 kg)	29 lb	\$3,190.00
139447*	100,000 lb (50,000 kg) RF module	50 lb (20 kg)	65 lb	\$4,110.00
159168*	120,000 lb (60,000 kg) RF module includes MSI-8000	50 lb (20 kg)	57 lb	Consult
159169*	180,000 lb (90,000 kg) RF module includes MSI-8000	100 lb (50 kg)	74 lb	Consult
159170*	260,000 lb (130,000 kg) RF module includes MSI-8000	100 lb (50 kg)	100 lb	Consult
159171*	380,000 lb (190,000 kg) RF module includes MSI-8000	200 lb (100 kg)	169 lb	Consult
159172**	550,000 lb (275,000 kg) RF module includes MSI-8000	200 lb (100 kg)	336 lb	Consult
<b>MSI-7300 Dyna-Link 2 Wi-Fi</b>				
176813	1,000 lb (500 kg) F/A with Wi-Fi	0.5 lb (0.2 kg)	8 lb	\$1,750.00
176814	2,500 lb (1,250 kg) F/A with Wi-Fi	1 lb (0.5 kg)	9 lb	\$1,840.00
176815	5,000 lb (2,500 kg) F/A with Wi-Fi	2 lb (1.0 kg)	9 lb	\$1,840.00
176816	10,000 lb (5,000 kg) F/A with Wi-Fi	5 lb (2.0 kg)	11 lb	\$1,970.00
176817	25,000 lb (12,500 kg) F/A with Wi-Fi	10 lb (5 kg)	19 lb	\$2,550.00
176818	50,000 lb (25,000 kg) F/A with Wi-Fi	20 lb (10 kg)	29 lb	\$3,340.00
176819	100,000 lb (50,000 kg) F/A with Wi-Fi	50 lb (20 kg)	65 lb	\$4,200.00
176827	120,000 lb (60,000 kg) F/A with Wi-Fi	50 lb (20 kg)	57 lb	Consult
176828	180,000 lb (90,000 kg) F/A with Wi-Fi	100 lb (50 kg)	74 lb	Consult
176829	260,000 lb (130,000 kg) F/A with Wi-Fi	100 lb (50 kg)	100 lb	Consult
176830	380,000 lb (190,000 kg) F/A with Wi-Fi	200 lb (100 kg)	169 lb	Consult
176831	550,000 lb (275,000 kg) F/A with Wi-Fi	200 lb (100 kg)	336 lb	Consult

\* 500% Ultimate overload

\*\* 440% Ultimate overload

## Standard Features

- LCD display
- Two C-cell alkaline batteries for capacities up to 10,000 lb (5,000 kg)
- Two D-cell alkaline batteries for capacities 25,000 lb (12,500 kg) and above

## Options

(Contact MSI for application consultation)

- Crosby® top and bottom shackles
- Portable transport case
- Serial output cable
- Rugged Remote (control for On/Off, Zero, Tare and other functions)
- RF modem install for connectivity to MSI-8000, MSI-8000HD RF, MSI-8004HD RF remote display and TranSend™. Typically 100 to 300 ft, line of sight, for longer range consult factory.
- Audible alarm
- Wi-Fi communication is available for specialty applications

## Specifications

### Accuracy:

0.1% FS of rated capacity (up to 100,000 lb)  
0.5% FS of rated capacity (120,000 and above)

### Enclosure:

NEMA Type 4, IP65, anodized corrosion-resistant finish

### Material:

2024 aircraft grade aluminum  
Capacities above 100 K have zinc plated enclosures and 4340 load cell bodies

### Design Overload:

200% Safe/700% Ultimate\* (except where noted)

### Functions:

On/Off, Zero, Hi-Speed Peak Hold, Setpoints, Total, Tare, Auto-Off, Motion Filter

### Display:

5-digit, 1.22" (31 mm) tall, LCD - 50,000 lb & lower  
6-digit, 1" (25 mm) tall, LCD - 100,000 lb & higher

### Displayable Units:

Pounds, kilograms, kilonewtons, tons, metric tons

### LED Annunciators:

Function 1, Function 2, Setpoint 1, Setpoint 2

### LCD Annunciators:

Net, Center of Zero, Stable, Battery Test, Peak Hold, Total

### Power:

Two each C-cell alkaline batteries for capacities up to 10,000 lb; two each D-cell alkaline batteries for capacities 25,000 to 100,000 lb

### Operating Time:

From 150 to 300 hours in typical use depending on unit capacity and battery configuration.  
Approximately 25 to 30 hours with optional RF modem link installed.

### Operating Temperature:

-4 °F to 140 °F (-20 °C to 60 °C)

### Filtering:

OFF, LO, HI selectable

### Data Output:

Serial RS-232

### Warranty:

Two-year limited

OVERHEAD  
WEIGHING

# MSI-7300 Dyna-Link 2

Digital Tension Dynamometer

## Options/Accessories

Part #	Description	Est. Weight	Price
151357*	Shackle anchor, bolt type 3.25 ton for 500 lb-5,000 lb unit	1.5 lb	Consult
151355*	Shackle anchor, bolt type 6.5 ton for 10,000 lb unit	3 lb	Consult
141992*	Shackle anchor, bolt type 17 ton for 25,000 lb unit	19.5 lb	Consult
151356*	Shackle anchor, bolt type 25 ton for 50,000 lb unit	31.5 lb	Consult
146336*	Shackle anchor, bolt type 55 ton for 100,000 lb unit	51.5 lb	Consult
151359*	Shackle anchor, bolt type 85 ton for 180,000 lb unit	103 lb	Consult
151360*	Shackle anchor, bolt type 120 ton for 260,000 lb unit	112.5 lb	Consult
151361*	Shackle anchor, bolt type 175 ton for 380,000 lb unit	332.5 lb	Consult
151358*	Shackle anchor, bolt type 250 ton for 550,000 lb unit	650lb	Consult
139381	MSI-8000 RF remote display (requires MSI-7300 equipped with optional RF modem)	5 lb	\$1,415.00
153591	MSI-8000HD RF remote display, A/C powered with tilt stand (requires MSI-7300 equipped with optional RF modem)	5 lb	\$1,541.00
165313	Heavy duty Pelican transport case with precision cut. Heavy duty foam for units up to 10,000 lb capacity	10 lb	\$385.00
145076	Transport crate for 25,000 lb and 50,000 lb capacity unit	35 lb	\$460.00
145073	Transport crate for 100,000 lb capacity unit	42 lb	Consult
139470	RS-232 serial cable for MSI-7300	1 lb	\$165.00
178004	LaserLight2, 4 in (100 mm) six-digit RF scoreboard (requires MSI-7300 equipped with optional RF modem)	21 lb	\$2,535.00
178006	LaserLight2, 6 in (150 mm) six-digit RF scoreboard (requires MSI-7300 equipped with optional RF modem)	37 lb	\$3,005.00
149549	Universal 115/ 230 VAC 50/60 Hz (NA plug standard) battery charger for MSI-8000 remote display	3 lb	\$165.00
173014	Rugged remote control (requires MSI-7300 equipped with optional RF modem)	1 lb	\$355.00
150964	RS-232 13 ft (4 m) serial cable for MSI-8000	1 lb	\$200.00
139438	Audible setpoint (not available with MSI-7300RF or MSI-7300WiFi)	-	\$440.00
149550	Battery charger for MSI-8000 EC plug	-	\$160.00

\* 2 shackles will be needed per 7300



# MSI Dyna-Clamp

Tension Meter



Approvals



## Part Number/Price

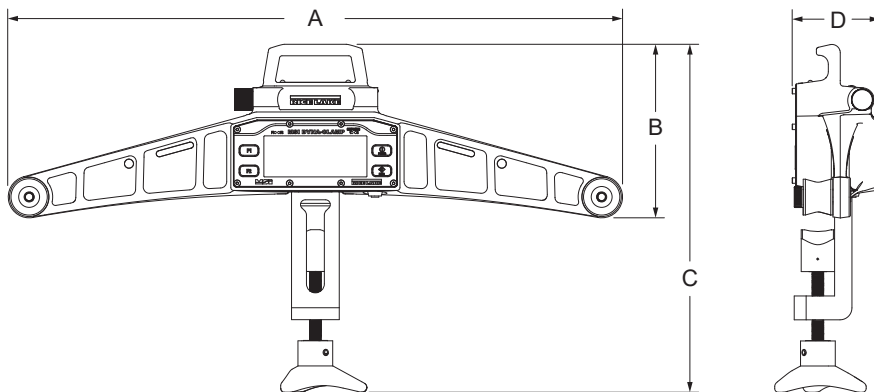
Part #	Description	Tension	Est. Weight	Price
189581	MSI Dyna-Clamp tension meter	12,500 lbf (5,670 kgf / 55.60 kN)	15 lb	\$4,860.00

## Options/Accessories

Part #	Description	Price
198418	Heavy-duty carrying case	\$640.00

## Dimensions

MSI Dyna-Clamp			
A	25.70 in (652.80 mm)	C	13.75 in-15.50 in (349.25 mm-393.70 mm)
B	7.30 in (185.50 mm)	D	3.70 in (94 mm)



## Standard Features

- Dual line LCD display
- Two user-programmable function keys
- IP65 anodized aluminum frame
- RS-232 port
- Up to 8 factory calibrations included at no additional cost

## Options

(Contact MSI for application consultation)

- Heavy-duty carrying case

## Specifications

### Power:

Battery operated two AA cells 1.5 V alkaline batteries (can be replaced with rechargeable NiMH cells)

### Max Tension:

12,500 lbf (5,670 kgf/55.60 kN)

### Operating Time:

Alkaline AA-cells: 24 hours

### Wire Rope:

Diameter 3/16 in (5 mm) to 1 in (25 mm)

### Accuracy:

±3% of capacity

### Units:

lbf, kgf, kN

### Resolution:

Standard: 2,500 divisions

### Display:

Primary display (bottom) six, 0.7 in (18 mm) numeric digits  
Secondary display (top) eight, 0.5 in (13 mm) numeric digits

### Function Keys:

Two programmable keys (user-defined) – F1, F2 (test, unit, print, scroll, actfun)  
Two permanent keys – power, zero

### Setpoints:

Two dedicated setpoints for minimum and maximum allowable wire rope tension (LEDs for measurements outside of allowable range)

### Auto-Off Mode:

Prolongs battery life by turning power OFF after 15, 30, 45 or 60 minutes of no activity (user determined)

### Enclosure:

IP65 powder-coated aluminum frame

### Calibration:

Up to eight factory programmed wire rope calibrations

### Operating Temperature:

-4 °F to 122 °F (-20 °C to 50 °C)

### Operator Use:

Outdoor

### Storage:

Indoor

### Warranty:

Two-year limited

### Approvals:

CE Marked  
UKCA

OVERHEAD  
WEIGHING

# MSI Clamp-On

Load Cell



## Standard Features

- A durable solution for measuring wire rope tension and preventing overloads for cranes and hoists. Available in two envelopes for accommodating the most common wire ropes. Weight-based setpoints can provide the operator alerts and safety shut-offs based on unsafe load conditions.

## Options

(Contact MSI for application consultation)

- Custom sizes available on request
- Pair with an SCT transmitter for basic safety functions

## Specifications

**System Accuracy of Calibrated Capacity:**  
3 to 5%

**Material:**  
4340 steel, zinc plated

**Output Resistance:**  
350 ohm

**IP Rating:**  
IP68

**Cable Color Code:**  
Red +Excitation  
Black -Excitation  
Green +Signal  
White -Signal

**Cable Length:**  
20 ft integral cable with blunt end termination

## Part Number/Price

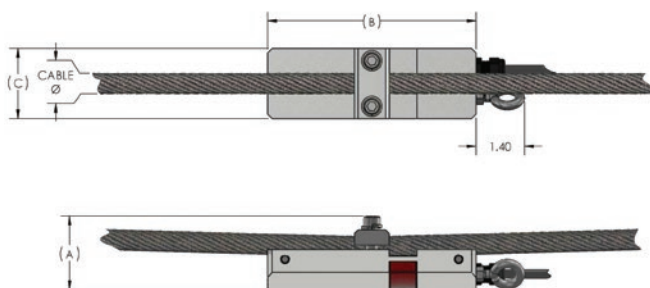
Part #	Description	Price
179080	Load cell assembly Clamp-On for 3/8 to 1/2 in wire rope	\$750.00
179082	Load cell assembly Clamp-On for 9/16 to 3/4 in wire rope	\$890.00
188816	Kit with SCT-2200 for 3/8 to 1/2 in wire rope	\$1,330.00
188817	Kit with SCT-2200 for 9/16 to 3/4 in wire rope	\$1,470.00

Larger diameter clamp ons available - call for pricing

## Dimensions

Cable Range	P/N	A	B	C
3/8 - 1/2	179080	Cable + 1.70	6.00	2.00
9/16-3/4	179082	Cable + 1.67	6.00	2.00

\*8mm cable can be used with PN 179080



Optional SCT-2200 transmitter

OVERHEAD  
WEIGHING



## Standard Features

- Designed and manufactured to each integrated solution. Machined from 17-4 stainless steel for safety, strength and corrosion resistance.
- (Contact MSI for application consultation)

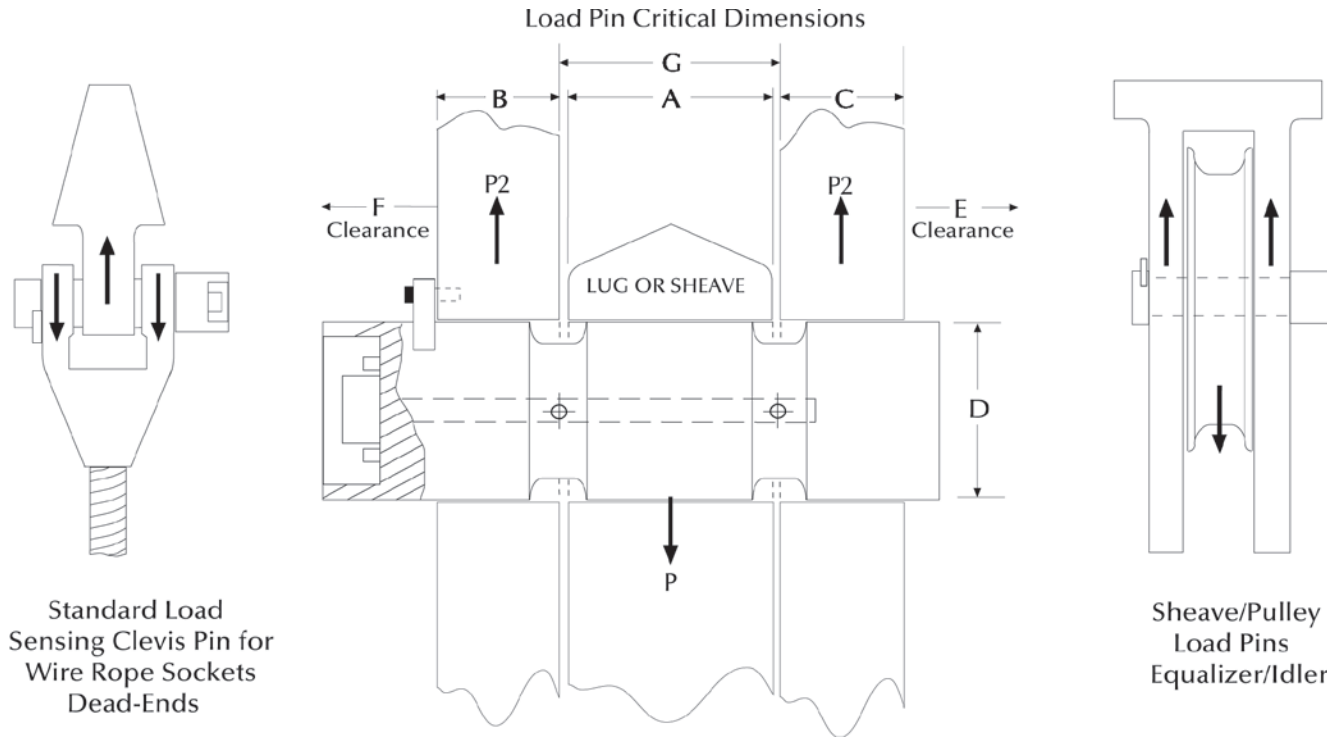
For most overhead weighing applications, traditional scales are an ideal solution. However, applications with limited to no headroom require specialty equipment beyond even reduced-height or low-profile crane scales.

One such solution is an MSI load pin sensor. A load pin sensor is a type of load cell that directly replaces clevis, pivot, normal shaft or equalizer pins. Load pin sensors are designed to be permanently installed, so they can continuously monitor vertical or horizontal tension. An integrated load pin provides load monitoring and overload protection without impacting headroom to promote safety and to prevent costly equipment damage.

Rice Lake's industry leading engineers design and manufacture custom load pin sensors for any application. Every load pin is constructed from stainless steel for safety, strength (minimum 5:1) and corrosion resistance.

To receive a quote for a load pin sensor, complete the load pin questionnaire on page 808 or online at [www.ricelake.com/questionnaires](http://www.ricelake.com/questionnaires). For further assistance, contact an MSI overhead weighing specialist.

# MSI Load Pin Questionnaire



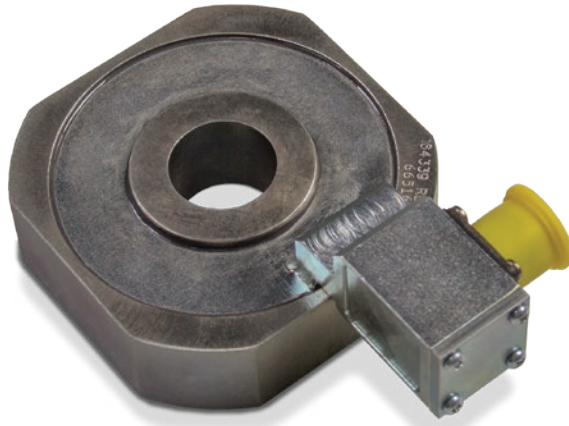
Load Pin Data	
A=Width _____	Inch
B=Width _____	Inch
C=Width _____	Inch
D=Pin Diameter _____	Inch
E=Clearance _____	Inch
F=Clearance _____	Inch
G=Width _____	Inch
Lube Port <input type="checkbox"/> No <input type="checkbox"/> Yes _____	# of exits
Hoist Capacity _____	Tons
Parts of Wire Rope _____	
Sensor Capacity _____	Tons
Factor of Safety <input type="checkbox"/> 3:1 <input type="checkbox"/> 5:1 <input type="checkbox"/> 7:1 <input type="checkbox"/> 10:1	
Application _____	
Accuracy Requirement _____	
Temperature Requirement _____	
Required Output _____	
Material Testing Requirement _____	
Load Vector Orientation/Alignment <input type="checkbox"/> ← <input type="checkbox"/> → <input type="checkbox"/> ↓ <input type="checkbox"/> ↑	
Name _____	
Company _____	
Phone _____	
Note: Minimum clearance between "A" and "G" = 0.0625 inch.	

Cable Connections	
End-Mounted Cable	
End-Mounted Connector (standard)	
Side-Mounted Cable	
Side-Mounted Connector	
Recessed Connector	
Sensor's Cable Length _____	Feet
Comments _____	



230 W. Coleman St. • Rice Lake, WI 54868 • USA  
 TEL: 800-874-4320 • FAX: 206-244-8470 • [www.ricelake.com/msi](http://www.ricelake.com/msi)

An ISO 9001 registered company © 2019 Rice Lake Weighing Systems PN 154086 1/19  
 Specifications subject to change without notice.



## Standard Features

- Designed to be placed above the trunnion of a load block, this integrated low-profile load cell eliminates headroom loss
- Off-axis compensation

(Contact MSI for application consultation)

## Specifications

### Accuracy (Static Load):

0.5 to 1% system accuracy of rated capacity

### Material:

4340 alloy steel, zinc plated

### IP Rating:

IP67

### Resistance:

700 ohm

## Part Number/Price

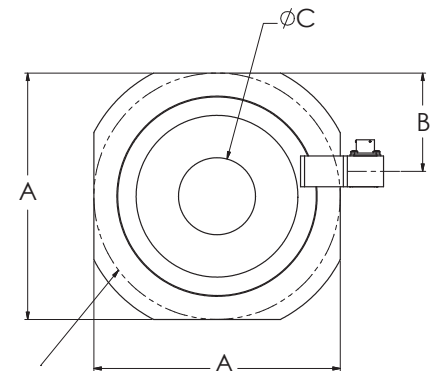
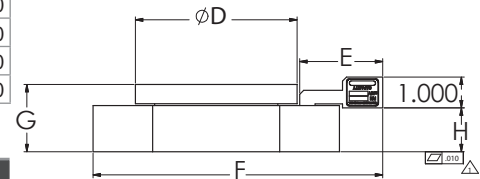
Part #	Description	Est. Weight	Price
160651	10,000 lb/5,000 kg capacity	5 lb	Consult
163595	20,000 lb/10,000 kg capacity	10 lb	Consult
163596	40,000 lb/20,000 kg capacity	20 lb	Consult
163829	60,000 lb/30,000 kg capacity	30 lb	Consult
163597	80,000 lb/40,000 kg capacity	34 lb	Consult
163598	100,000 lb/50,000 kg capacity	38 lb	Consult
159550	120,000 lb/60,000 kg capacity	60 lb	Consult
163599	160,000 lb/80,000 kg capacity	105 lb	Consult
163600	200,000 lb/100,000 kg capacity	215 lb	Consult

## Options/Accessories

Part #	Description	Price
165978	Load cell to MSI-7001 interface cable, 6.5 ft	\$330.00
165979	Load cell to MSI-7001 interface cable, 10 ft	\$350.00
165980	Load cell to MSI-7001 interface cable, 16 ft	\$380.00
165989	Load cell to MSI-7001 interface cable, 20 ft	\$410.00
165990	Load cell to MSI-7001 interface cable, 25 ft	\$440.00
165991	Load cell to MSI-7001 interface cable, 32 ft	\$510.00

## Dimensions

Part #	Capacity	A	B	C (+0.005-0.000)	D	E	F	G	H	Required Hook Shank Diameter (+0.000,-0.005)
160651	10,000 lb	3.500	1.350	1.005	2.450	1.880	4.905	1.500	1.000	1.000
163595	20,000 lb	6.000	2.500	1.505	3.500	2.443	7.405	1.750	1.250	1.500
163596	40,000 lb	7.500	3.150	2.005	5.000	2.580	8.905	2.000	1.375	2.000
163829	60,000 lb	8.000	3.190	2.505	5.250	2.695	9.405	2.188	1.500	2.500
163597	80,000 lb	8.500	3.650	3.505	5.750	2.680	9.905	2.313	1.500	3.500
163598	100,000 lb	9.125	3.873	4.005	7.000	2.382	10.530	2.668	1.875	4.000
159550	120,000 lb	9.125	3.873	4.005	7.000	2.382	10.530	2.813	2.000	4.000
163599	160,000 lb	16.000	7.030	6.005	14.500	2.955	17.405	4.625	2.500	6.000
163600	200,000 lb	16.000	7.030	6.005	14.500	2.955	17.405	5.125	3.000	6.000



SHOWN AS REFERENCE FOR ROUND LOAD CELLS

OVERHEAD WEIGHING

# MSI Tension Link

Load Cell



## Standard Features

- Integrates between a crane block and lifting equipment to provide force measurement for lifted items. This ideal integration for cranes features a 7:1 safety factor for compliance with industrial and military safety requirements.

## Options

(Contact MSI for application consultation)

- Crosby® top and bottom shackles

## Specifications

### Input Resistance:

1,500 ohm

### Output Resistance:

2,000 ohm

### Full Scale Output:

0.8 mV/V

### Connector Pin Out:

- A: EX +
- B: Sig +
- C: Sig -
- D: EX -

### Accuracy:

0.1% sensor accuracy

### Material:

4340 steel

## Part Number/Price

Part #	Description	Price
181907	2K 7200 style load cell only	Consult
181908	5K 7200 style load cell only	Consult
181909	10K 7200 style load cell only	Consult
178093	25K 7200 style load cell only	Consult
178094	50K 7200 style load cell only	Consult
181910	100K 7200 style load cell only	Consult

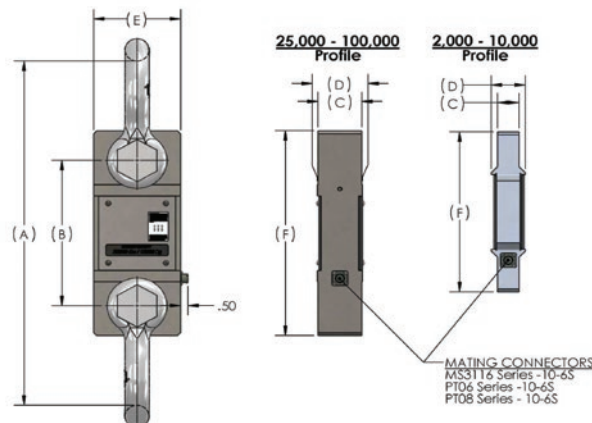
Contact factory for higher capacities

## Options/Accessories

Part #	Description	Price
165978	Load cell to MSI-7001 interface cable, 6.5 ft	\$330.00
165979	Load cell to MSI-7001 interface cable, 10 ft	\$350.00
165990	Load cell to MSI-7001 interface cable, 25 ft	\$440.00
134505	Load cell mating cable to bare wires, 10 ft	\$185.00

## Dimensions

Capacity (lbs)	P/N	Load Cell Material	(A) Headroom Loss	(B) C-C Length	(C) Lug Thk	(D) Body Thk	(E) Body Width	(F) Body Length	Lug Hole	Crosby Shackle
2,000	181907	Aluminum	13.50 in	8.00 in	0.99 in	2.13 in	4.50 in	9.75 in	0.78 in	3-1/4 T 151357
5,000	181908	Aluminum	13.50 in	8.00 in	0.99 in	2.13 in	4.50 in	9.75 in	0.78 in	3-1/7 T 151357
10,000	181909	Aluminum	16.13 in	8.50 in	1.35 in	2.13 in	5.37 in	10.75 in	1.05 in	6-1/2 T 151355
25,000	178093	Steel	22.39 in	9.26 in	2.24 in	2.24 in	4.80 in	12.76 in	1.67 in	17 T 141992
50,000	178094	Steel	25.74 in	9.76 in	2.74 in	2.81 in	5.43 in	13.76 in	2.05 in	25 T 151356
100,000	181910	Steel	28.49 in	10.74 in	3.09 in	3.09 in	6.86 in	15.74 in	2.30 in	55 T 146336

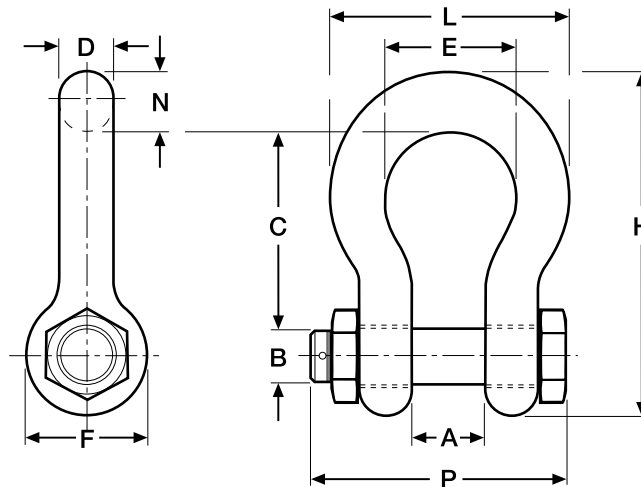


OVERHEAD WEIGHING

# Shackle Dimensions

## Part Number/Price

Part #	W.L.L. Tons	Size	A	B	C	D	E	F	H	L	N	P	Weight	Price
151357	3 1/4	0.63 in	1.06 in	.75 in	2.38 in	0.63 in	1.69 in	1.56 in	4.22 in	2.94 in	0.69 in	N/A	1.58 lb	Consult
151355	6 1/2	0.88 in	1.44 in	1.00 in	3.31 in	0.88 in	2.28 in	2.13 in	5.75 in	4.03 in	0.97 in	5.00 in	3.95 lb	Consult
141992	17	1.50 in	2.38 in	1.63 in	5.75 in	1.50 in	3.88 in	3.63 in	9.88 in	6.88 in	1.62 in	8.25 in	19.50 lb	Consult
151356	25	1.75 in	2.88 in	2.00 in	7.00 in	1.75 in	5.00 in	4.32 in	11.88 in	8.50 in	2.12 in	9.59 in	31.30 lb	Consult
146334	30	1.50 in	2.38 in	1.63 in	5.75 in	1.50 in	3.88 in	3.63 in	9.88 in	6.88 in	1.62 in	8.25 in	20.80 lb	Consult
146335	40	1.75 in	2.88 in	2.00 in	7.00 in	1.75 in	5.00 in	4.32 in	11.88 in	8.50 in	2.12 in	9.59 in	33.91 lb	Consult
146336	55	2.00 in	3.25 in	2.25 in	7.75 in	2.00 in	5.75 in	5.00 in	13.38 in	9.75 in	2.00 in	11.00 in	51.75 lb	Consult
151359	85	2.5 in	4.12 in	2.75 in	10.50 in	2.72 in	7.25 in	5.69 in	17.84 in	12.87 in	3.12 in	13.58 in	96.00 lb	Consult
151360	120	3.00 in	5.00 in	3.25 in	13.00 in	3.00 in	7.88 in	6.50 in	21.50 in	14.50 in	3.63 in	16.50 in	178.00 lb	Consult
83455	120	3 in	5.00 in	3.25 in	13.00 in	3.11 in	7.88 in	6.50 in	21.50 in	14.36 in	3.63 in	15.13 in	178.00 lb	Consult
151361	175	4.00 in	5.50 in	4.25 in	14.50 in	4.00 in	10.00 in	9.00 in	25.69 in	18.38 in	4.56 in	19.75 in	338.00 lb	Consult
151358	250	4 in	8.50 in	5.00 in	20.00 in	4.50 in	13.00 in	12.00 in	35.00 in	24.50 in	6.50 in	22.68 in	600.00 lb	Consult
<b>Oversized Shackles</b>														
148497	40	1.75 in	2.88 in	2.00 in	10.00 in	2.25 in	6.00 in	4.32 in	15.35 in	10.50 in	2.25 in	9.00 in	45.00 lb	Consult
148393	40	2.25 in	2.88 in	2.00 in	12.50 in	2.25 in	8.00 in	4.32 in	17.85 in	12.50 in	2.25 in	10.00 in	90.00 lb	Consult
148394	50	2.00 in	3.25 in	2.25 in	12.25 in	2.50 in	8.00 in	5.00 in	18.50 in	13.00 in	2.50 in	11.00 in	72.00 lb	Consult
<b>Shims</b>														
146534	(For use with 50,000 ton/70,000 ton systems)													Consult



OVERHEAD  
WEIGHING

# MSI-8000

RF Remote Display



## Part Number/Price

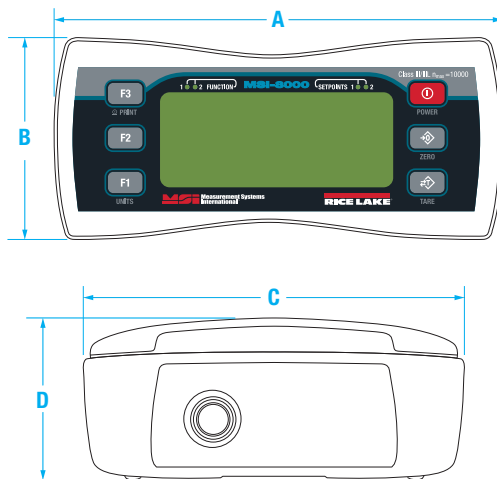
Part #	Description	Est. Weight	Price
139381	MSI-8000 RF remote display	5 lb	\$1,415.00

## Options/Accessories

Part #	Description	Est. Weight	Price
149549	Universal 115/230 VAC 50/60 Hz (NA plug standard) battery charger for MSI-8000 RF remote display	3 lb	\$165.00
149550	Universal 115/230 VAC 50/60 Hz (EC plug standard) battery charger for MSI 8000 RF remote display	1 lb	\$160.00
150964	DB9 female serial interface cable for MSI-8000 RF remote display	1 lb	\$200.00
151095	Audible alarm	—	\$315.00

## Dimensions

MSI-8000			
A	8.00 in (203 mm)	C	3.85 in (98 mm)
B	3.85 in (98 mm)	D	1.37 in (35 mm)



## Standard Features

- Compatible with all ScaleCore™ based products including: MSI-7300 Dyna-Link 2, MSI-3460 Challenger 3, MSI-4260 Port-A-Weigh, MSI-7000 and MSI-7001 TranSend™, MSI-9600HT and MSI-6360
- LCD display
- Membrane keypad for remote control functionality
- User-definable function keys for added versatility
- Universal 115/230 VAC, 50/60 Hz battery charger (NA plug standard)

(Contact MSI for application consultation)

## Specifications

### Enclosure:

NEMA Type 4, IP65

### Weight:

0.98 lb (445 g)

### Keypad:

On/Off, Zero (100%), Tare, Print and two user-defined keys for the following functions: peak hold, high resolution, total, view total, net/gross, units switching

### Display:

Six-digit 1.0 in (26.4 mm) LCD screen

### Units Displayed:

Pounds, kilograms, tons, metric tons, kilonewtons

### Annunciators:

Stable, COZ, low battery, peak, net, kg, kN, lb, M, ton, setpoint, function LEDs

### Power:

Integral lithium-ion battery  
Universal 115/230 VAC, 50/60 Hz battery charger (NA plug included)

### Operating Time:

Up to 24 hours of continuous use (15 minute auto-shutoff with non-use)

### Operating Temperature:

-4 °F to 140 °F (-20 °C to 60 °C)

### RF Radio Link:

2.4 GHz 802.15.4  
Communicates with RF 3460, 4260, 7300, 7000 & 7001

### RF Effective Range:

Typically 100 to 300 ft, line of sight; for longer range consult factory

### Connector:

Four-pin Turck connector for charging and RS-232 communication

### Warranty:

One-year limited

OVERHEAD WEIGHING



# MSI-8000HD

Indicator/Remote Display



## Approvals



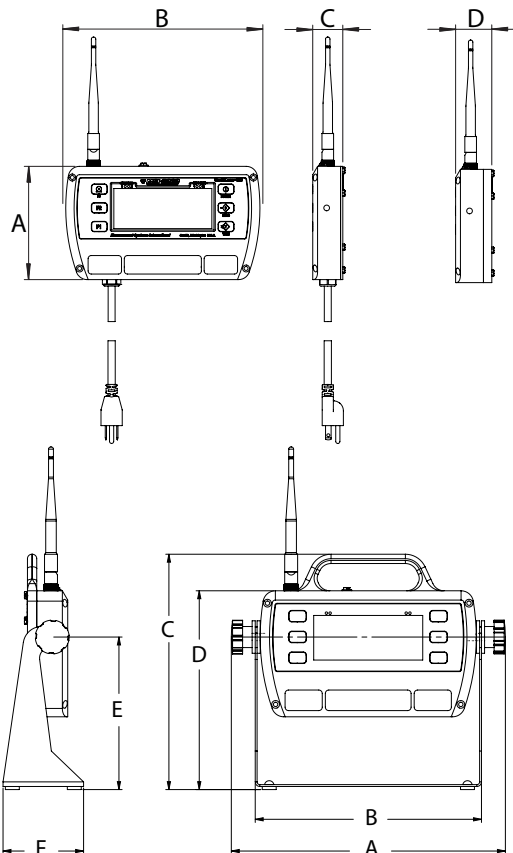
## Standard Features

- Compatible with all ScaleCore™-based products including: MSI-7300 Dyna-Link 2, MSI-3460 Challenger 3, MSI-4260 Port-A-Weigh, MSI-7000 and MSI-7001 TranSend™, MSI-9600HT and MSI-6360
- LCD display
- IP68 milled aluminum enclosure
- Time and date
- Membrane keypad for remote-control functionality
- User-definable function keys for added versatility
- Swivel tilt stand

## Dimensions

MSI-8000HD	
A	5.09 in (129 mm)
B	8.98 in (228 mm)
C	1.35 in (34 mm)
D	1.63 in (41 mm)

With Tilt Stand	
A	11.06 in (281 mm)
B	9.13 in (232 mm)
C	9.50 in (241 mm)
D	8.02 in (204 mm)
E	6.16 in (156 mm)
F	3.25 in (83 mm)



## Options

(Contact MSI for application consultation)

- Up to 8 configurable relay outputs
- Wi-Fi communications
- 802.15.4 Serial RF
- FHSS
- Wired Ethernet

## Specifications

### Power:

90-267 VAC, 9-36 VDC, 18-72 VDC, 120-300 VDC  
Optional battery power module available

### Excitation Voltage:

4.8V current limited and over-voltage protected

### RF Remote Channels:

Up to four remote sensors, monitored individually, in pairs or sum all (non-A/D version only)

### Service Counters:

A/D version only

### A/D Inputs:

Two independent or summing load cell inputs

### Filtering:

Off, Low, Hi-1, Hi-2

### RF Radio Link:

2.4 GHz 802.15.4

Compatible with all ScaleCore™ based products including:

MSI-7300 Dyna-Link 2,  
MSI-3460 Challenger 3,  
MSI-4260 Port-A-Weigh, MSI-7000 and MSI-7001

### RF Effective Range:

Typically 100 to 300 ft, line of sight;  
for longer range consult factory

### Communication Ports:

Dual RS-232 communication ports

### Optional Communications:

Wi-Fi

Serial RF (Single Sequence or FHSS)

### Annunciators:

Stable, COZ, peak, kg, kN, lb, M, ton, setpoint,  
function LEDs

Channels: 1, 2, 3, 4, TTL

### Display:

Six-digit 1.0 in (26.4 mm) LCD

### Units Displayed:

Pounds, kilograms, tons, metric tons, kilonewtons

### Keys/Buttons:

On/Off, Zero (100%), Tare, Print, and Two user-defined keys for the following functions: peak hold, high resolution, total, view total, net/gross, units switching

### Rating/Material:

Enclosure: NEMA Type 4, IP68 milled anodized aluminum with O-ring gaskets

### Temperature Range:

Operating: -4 °F to 140 °F (-20 °C to 60 °C)

Certified: 14 °F to 104 °F (-10 °C to 40 °C)

### Warranty:

One-year limited

### Approvals:

NTEP CC 15-110 (-10 °C to 40 °C)

OVERHEAD  
WEIGHING

# MSI-8000HD

Indicator/Remote Display

## Part Number/Price

Part #	Description	Est. Weight	Price
153591	ScaleCore RF/remote display/85 to 265 VAC	5 lb (2.5 kg)	\$1,541.00
154853	ScaleCore RF/remote display/internal battery	5 lb (2.5 kg)	\$1,670.00
160476	ScaleCore RF/remote display/7 to 36 VDC	5 lb (2.5 kg)	\$1,485.00
159377	ScaleCore RF/remote display/18 to 72 VDC	5 lb (2.5 kg)	\$1,520.00
159376	ScaleCore RF/remote display/9 to 36 VDC	5 lb (2.5 kg)	\$1,520.00
158427	Meter/2 A/D inputs/85 to 265 VAC (non RF)	5 lb (2.5 kg)	\$1,875.00
158428	Meter/2 A/D inputs/internal battery (non RF)	5 lb (2.5 kg)	\$1,990.00
160478	Meter/2 A/D inputs/7 to 36 VDC (non RF)	5 lb (2.5 kg)	\$1,670.00
159381	Meter/2 A/D inputs/18 to 72 VDC (non RF)	5 lb (2.5 kg)	\$1,710.00
159380	Meter/2 A/D inputs/9 to 36 VDC (non RF)	5 lb (2.5 kg)	\$1,710.00
158425	RF Meter/2 A/D inputs/85 to 265 VAC	5 lb (2.5 kg)	\$1,895.00
158426	RF Meter/2 A/D inputs/internal battery	5 lb (2.5 kg)	\$2,065.00
160477	RF Meter/2 A/D inputs/7 to 36 VDC	5 lb (2.5 kg)	\$1,895.00
159379	RF Meter/2 A/D inputs/18 to 72 VDC	5 lb (2.5 kg)	\$1,905.00
159378	RF Meter/2 A/D inputs/9 to 36VDC	5 lb (2.5 kg)	\$1,905.00
176958	Wi-Fi meter/85/265 VAC	5 lb (2.5 kg)	\$1,575.00
176960	Wi-Fi meter/internal battery	5 lb (2.5 kg)	\$1,710.00
176964	Wi-Fi meter/7 to 36 VDC	5 lb (2.5 kg)	\$1,520.00
176966	Wi-Fi meter/9 to 36 VDC	5 lb (2.5 kg)	\$1,560.00
176968	Wi-Fi meter/18 to 72 VDC	5 lb (2.5 kg)	\$1,560.00

## Options/Accessories

Part #	Description	Price
155173	MSI-8000HD spare tilt stand option kit	\$90.00
155193	MSI-8000HD Ethernet TCP/IP option kit wired	\$430.00
162178	Antenna extension kit, 6 ft	\$490.00
148624	MSI-8000HD serial RS-232 cable	\$140.00
158779	MSI-8000HD two each coil relay option kit, 250 VAC/30 VDC 5A or 100 VDC 0.4A	\$375.00
158780	MSI-8000HD two each solid state relay option kit, 60 Vpk 2.7A	\$375.00
158781	MSI-8000HD two each solid state relay option kit, 200 Vpk 0.9A	\$375.00
149549	Universal 115/230 VAC 50/60 Hz (NA plug standard) battery charger for MSI-8000HD battery powered device	\$165.00
149550	Universal 115/230 VAC 50/60 Hz (international plugs) battery charger for MSI-8000HD battery powered device	\$160.00
171203	Audible alarm kit	\$375.00
176963	Serial print cable (for GoDex printer)	\$165.00
<b>Relays</b>		
172490	Expanded relay kit, four-channel, 12A 5V, latching relays	Consult
172492	Expanded relay kit, four-channel, 12A 5V, momentary relays	Consult
Consult	Expanded relay kit, four-channel, 0.9A 200Vpk, AC/DC solid state relays	Consult
172495	Expanded relay kit, eight-channel, 12A 5V, momentary relays	Consult
172500	Expanded relays option kit, four-channel, 3A, 60Vpk solid state Form C relays	Consult
172501	Expanded relays option kit, eight-channel, 3A 60Vpk, solid state Form C relays	Consult
172502	Expanded relays option kit, eight-channel, 0.9A 200Vpk, solid state Form C relays	Consult
171676	Expanded relays option kit, eight-channel, 12A 5V, latching relays	Consult

OVERHEAD  
WEIGHING

# MSI-8004HD

Indicator/RF LED Remote Display



## Approvals



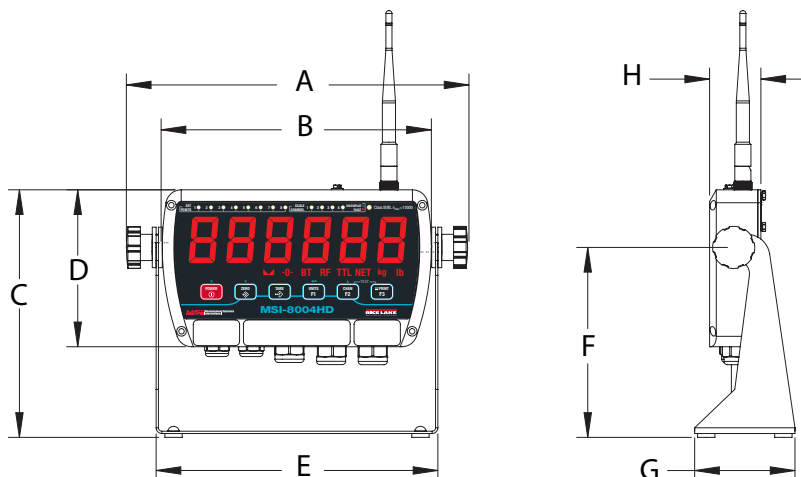
Measurement  
Canada  
Approved

## Part Number/Price

Part #	Description	Price
<b>Indicator</b>		
196904	4CH AC, red/green instant power-on, 85~264VAC, 47~440 Hz, 120~370 VDC	\$2,400.00
178265	4CH AC, red/green 85~264 VAC, 47~440Hz, 120~370VDC	\$2,170.00
178269	4CH DC 8-32 V, red/green, best for external 12 V SLA batteries	\$2,205.00
178271	4CH DC 9-36 V Iso, red/green, do not use on 12 V Vehicle Systems	\$2,310.00
183481	4CH 5 V Red/Green with external rechargeable battery	\$2,185.00
<b>Remote Display</b>		
178281	AC, red/green 85~264 VAC, 47~440 Hz, 120~370 VDC	\$2,120.00
178283	DC, 8-32 V, red/green best for external 12 V SLA battery	\$2,075.00
178285	DC, 9-36 V Iso, red/green, do not use on 12 v vehicle systems	\$2,160.00
183479	4CH 5 V red/green with external rechargeable battery	\$1,875.00

## Dimensions

MSI-8004HD			
With Tilt Stand			
A	11.10 in (282 mm)	E	9.13 in (232 mm)
B	8.76 in (223 mm)	F	6.16 in (156 mm)
C	8.02 in (204 mm)	G	3.25 in (83 mm)
D	5.09 in (129 mm)	H	1.66 in (42 mm)



## Standard Features

- LED display
- IP65 rugged milled aluminum enclosure
- Backlit membrane keypad for user functioning and controls
- Tilt bracket included
- Color changing display (via setpoints)

## Options

(Contact MSI for application consultation)

- Expanded relay outputs
- Battery pack for mobile operation
- Second radio module for additional network connectivity

## Specifications

### Power:

90 to 267 VAC, 9 to 36 VDC, 18 to 72 VDC, 120 to 300 VDC

### Excitation Voltage:

4.8 V current limited and over-voltage protected

### Functions:

Peak hold, high resolution, total, view total net/gross, units switching

### Units:

Pounds and kilograms

### Channels:

1, 2, 3, 4, TTL

### RF Remote Channels:

Up to 4 remote sensors monitored individually, in pairs or sum all (non-A/D version only) (when used with TranSend™)

### Service Counters:

A/D version only

### A/D Inputs:

Four independent or summing load cell inputs

### Relays:

Two 5 V coil, 250 VAC, 5 A relays

### Filtering:

Off, Low, Hi-1, Hi-2

### RF Radio Link:

2.4 GHz 802.15.4, optional second channel for Serial RF, 802.11 Wi-Fi

### RF Effective Range:

Typically 100 to 300 ft, line of sight; for longer range consult factory

### Communication Ports

Two RS-232 hard wired communication ports

### Annunciators:

Stable, COZ, peak, kg, kN, lb, M, ton, setpoint, function LEDs

### Display:

Six-digit, 1.5 in (38 mm) LED display with red/green/orange coloring

### Keys/Buttons:

On/Off, Zero, Tare, Print and two user-defined keys

### Temperature Range:

Operating: -40 °F to 140 °F (-40 °C to 60 °C)  
Certified: 23 °F to 104 °F (-5 °C to 40 °C)

### Rating/Material:

NEMA Type 4, IP65 milled anodized aluminum

### Warranty:

One-year limited

### Approvals:

NTEP 17-036  
Measurement Canada AM-6068

OVERHEAD  
WEIGHING

# MSI-8004HD

Indicator/RF LED Remote Display

## Options/Accessories

Part #	Description	Price
139309	Antenna kit, long range omni-directional, 9 dBi with 3 m coax Intended for omni-directional mast mounting (up to 2" dia). Beam-width. Must be mounted vertically.	\$510.00
139310	Antenna kit, corner reflector, 9 dBi with 3 m coax intended for directional wall or mast mounting (up to 2" dia). Beam-width: 75° Elevation, 65° azimuth.	\$505.00
139311	Antenna kit, corner reflector, 12 dBi with 3 m coax intended for directional wall or mast mounting (up to 2" dia). Beam-width: 50° Elevation, 36° azimuth.	\$535.00
139312	Antenna kit, YAGI, 15 dBi with 3 m coax highly directional wall or mast mounting (up to 2" dia). Beam-width: 30° elevation, 34° azimuth.	\$415.00
139313	Antenna kit, vehicle mount, 5 dBi with 5 m coax omni-directional. Mounts in 3/4" hole.	\$160.00
162178	Antenna extension kit, 6 ft	\$490.00
197013	Antenna extension kit, 20 ft	\$520.00
155173	Spare kit, tilt stand	\$90.00
199105	Audible alarm not compatible with battery versions	Consult
22436	Cable, Comm DB9F 9-pin fem one end stripped and tinned on other end 6' in 2 (Brown) Pin 3 (Red) Pin 5 (Yellow) For use with MSI-8004HD serial ports to connect to: Scoreboard displays, printers, computers & other equipment that supports RS-232.	\$70.00
183437	Battery, 5V Li-ion battery with USB power ports. Output 5 V/3.0A per port (6.0 A max)Rate, 2A per port (4A if both ports are used).	\$235.00
184131	8004 option kit, WiFi with SMA antenna	\$200.00
187424	8004 option kit, 2nd Xbee with TNC antenna	\$210.00
182224	Power adapter, 12 VDC 5 VDC dual USB car charger plus 3 ft USB cable	\$60.00
<b>Relays</b>		
172500	Expanded relays option kit, four-channel, 3A, 60VPK SSR form C	Consult
172501	Expanded relays option kit, eight-channel, 3A 60VPK, SSR form C	Consult
Consult	Expanded relays option kit, four-channel, 0.9A 200VPK, AC/DC SSR Form C	Consult
172502	Expanded relays option kit, eight-channel, 0.9A 200VPK, SSR form C	Consult
172492	Expanded relays option kit, four-channel, 12A 5V, momentary	Consult
172495	Expanded relays option kit, eight-channel, 12A 5V, momentary	Consult
172490	Expanded relays option kit, four-channel, 12A 5V, latching relays	Consult
171676	Expanded relays option kit, eight-channel, 12A 5V, latching relays	Consult

OVERHEAD  
WEIGHING

# MSI Scoreboards Wireless RF

Featuring LaserLight2 Remote Displays



- Integrated data repeater
- Six high-intensity red digits (double-row discrete LED)
- Auto Learn mode of communication protocols
- Hold displayed weight (demand input)
- Software selectable standstill mode for no updates while in motion
- Durable weather -tight IP66 enclosure
- Adjustable daylight/night intensity
- Non-glare contrast filtered lens
- Mirror (reverse image) feature
- RS-232, 20 mA and RS-485 communications
- Auto sensing 115/230 VAC power supply
- PEMs for VESA flat-wall mount or side-mounting flange available
- Polyethylene breather vent inhibits internal moisture buildup

(Contact MSI for application consultation)

## Specifications

### Enclosure:

NEMA Type 4, IP66

### Display:

Six-digit long-life LED, 4 in or 6 in

### Power:

AC/DC power supply 85 to 265 VAC, 47 to 440Hz/130 to 300 VDC

### Radio Link:

Direct sequence spread spectrum at 2.4GHz

### Radio Link Effective Range:

Typically 100 to 300 ft, line of sight; for longer range consult factory

### Standard Antenna:

1/2 wave 2 dBi, articulated

### Warranty:

One-year limited

### Echo Data Output:

RS-232

## Standard Features

- Compatible with: MSI-7300 Dyna-Link 2, MSI-3460 Challenger 3, MSI-4260 Port-A-Weigh, MSI-7000 and MSI-7001 TranSend™, MSI-9600HT, MSI-6360, MSI-8000HD and MSI-8004HD
- Tilt mounting bracket

## Part Number/Price

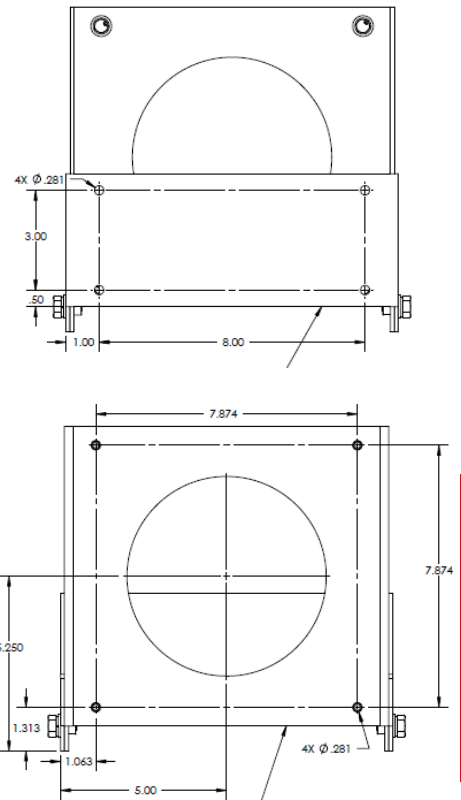
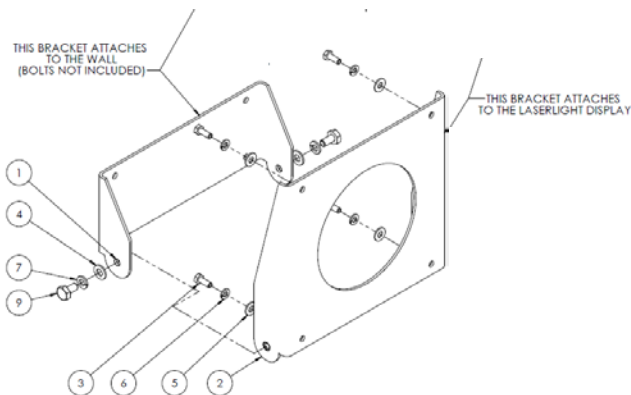
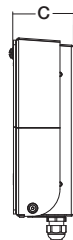
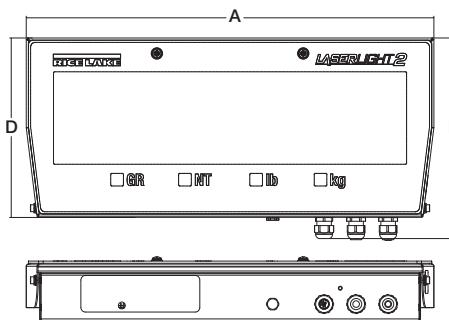
Part #	Description	Est. Weight	Price
178004	LaserLight2, 4 in with ScaleCore RF and tilt bracket		\$2,535.00
178006	LaserLight2, 6 in with ScaleCore RF and tilt bracket		\$3,005.00
178341	Laserlight2, 4 in with tilt bracket		\$2,410.00
178342	Laserlight2, 6 in with tilt bracket		\$2,870.00

## Options/Accessories

Part #	Description	Est. Weight	Price
139309	Long-range antenna, 300 m-500 m omni-directional with 9 dBi gain, includes 10 ft/3 m coaxial cable	1 lb	\$510.00
139310	9 dBi gain corner reflector antenna	1 lb	\$505.00
139311	12 dBi gain corner reflector antenna	1 lb	\$535.00
139313	5 dBi gain vehicle/cab mount whip antenna	1 lb	\$160.00
162178	Antenna extension kit, 6 ft		\$490.00
197013	Antenna extension kit, 20 ft		\$520.00
178318	Replacement tilt bracket, LaserLight2		\$275.00

## Dimensions

MSI Scoreboards Wireless RF			
22-inch enclosure (4-inch model)		31-inch enclosure (6-inch model)	
A	22.28 in (565 mm)	C	3.28 in (85 mm)
B	10.96 in (280 mm)	D	9.80 in (250 mm)
A	30.63 in (780 mm)	C	3.73 in (95 mm)
B	13.94 in (355 mm)	D	12.77 in (325 mm)



OVERHEAD WEIGHING

# TranSend™ MSI-7000

Wireless Load Cell Interface System



## Standard Features

- Works with any basic digital weight indicator
- Excitation to load cell(s) provided by the transmitter, not the indicator
- Each transmitter/receiver set is individually paired
- Serial communication cable included with all transmitters
- IP68 milled aluminum enclosure

(Contact MSI for application consultation)

## Specifications

### Power:

MSI-7000: 5-6 VDC, 7-36 VDC, 85-265 VAC  
 MSI-7001: 5-6 VDC, 7-36 VDC, 85-265 VAC  
 MSI-7000HD: 7-36 VDC, 9-36 VDC, 85-265 VAC  
 MSI-7001HD: 5-6 VDC, 7-36 VDC, 9-36 VDC, 85-265 VAC

### Excitation Voltage:

Transmitter: +4.8 VDC, 16 x 350 ohm or 32 x 700 ohm load cells

### Standard Antenna:

1/2 wave 2dBi, articulated

### Frequency:

Direct sequence spread spectrum at 2.4 GHz, 802.15.4

### Effective Range:

Typically 100 to 300 ft, line of sight; for longer range consult factory

### Communication Ports:

Full duplex RS-232

### Circuit Protection:

RFI, EMI, ESD protection

### Operating Temperature :

-40 °F to 185 °F (-40 °C to 85 °C)

### Rating/Material:

MIS-7000/MSI-7001: IP68, die-cast aluminum enclosure  
 MSI-7000HD/MSI-7001HD: IP68, durable milled aluminum enclosure

### Additional RF Options:

Wi-Fi  
 802.15.4  
 FHSS

### Warranty:

One-year limited

## Part Number/Price

Part #	Description	Est. Weight	Price
<b>Transmitters</b>			
<b>5-6 VDC Power Input</b>			
159207	Four-channel transmitter, no relays, RF 802.15.4, 2.4 GHz	2 lb	\$1,055.00
161949	Four-channel transmitter, includes three coil relays, RF 802.15.4, 2.4 GHz	2 lb	\$1,210.00
176648	Four-channel transmitter, no relays, Wi-Fi	2 lb	\$1,115.00
176652	Four-channel transmitter, includes three coil relays, Wi-Fi	2 lb	\$1,265.00
<b>7-36 VDC Power Input</b>			
159470	Four-channel transmitter, no relays, RF 802.15.4, 2.4 GHz	2 lb	\$1,090.00
161951	Four-channel transmitter, includes three coil relays, RF 802.15.4, 2.4 GHz	2 lb	\$1,265.00
176650	Four-channel transmitter, no relays, Wi-Fi	2 lb	\$1,145.00
176653	Four-channel transmitter, includes three coil relays, Wi-Fi	2 lb	\$1,325.00
<b>85-265 VAC Power Input</b>			
159469	Four-channel transmitter, no relays, RF 802.15.4, 2.4 GHz	2 lb	\$1,115.00
161950	Four-channel transmitter, includes three coil relays, RF 802.15.4, 2.4 GHz	2 lb	\$1,295.00
176647	Four-channel transmitter, no relays, Wi-Fi	2 lb	\$1,175.00
176651	Four-channel transmitter, includes three coil relays, Wi-Fi	2 lb	\$1,370.00
<b>Receivers</b>			
<b>5-6 VDC Power Input</b>			
160016	Four-channel receiver to provide an analog output signal: 4-20 mA, 0-20 mA, 0-5 VDC, 0-10 VDC, ±5 VDC, ±10 VDC, includes three coil relays, RF 802.15.4, 2.4 GHz	2 lb	\$1,265.00
160017	MSI-7000 four-channel receiver to provide RS232 serial output	2 lb	\$1,285.00
<b>7-36 VDC Power Input</b>			
159478	MSI-7000 four-channel receiver to provide RS232 serial output	2 lb	\$1,340.00
159476	Four-channel receiver to provide an analog output signal: 4-20 mA, 0-20 mA, 0-5 VDC, 0-10 VDC, ±5 VDC, ±10 VDC, includes three coil relays, RF 802.15.4, 2.4 GHz	2 lb	\$1,425.00
<b>85-265 VAC Power Input</b>			
159477	Four-channel receiver to provide RS232 serial output	2 lb	\$1,190.00
159475	Four-channel receiver to provide an analog output signal: 4-20 mA, 0-20 mA, 0-5 VDC, 0-10 VDC, ±5 VDC, ±10 VDC, includes three coil relays, RF 802.15.4, 2.4 GHz	2 lb	\$1,530.00

OVERHEAD WEIGHING

## Options/Accessories

Part #	Description	Price
162172	Charger, TranSend™ for 6 V SLA battery	\$70.00
162173	Battery, TranSend 6 V SLA	\$135.00
162175	Enclosure, TranSend for 6 V SLA battery	\$350.00
160109	AC adapter, TranSend 6 V	\$59.00
143531	Power cord, 6 V SLA battery charger EU	\$31.00
143533	Power cord, 6 V SLA battery charger, Australia	\$54.00
143534	Power cord, 6 V SLA battery charger, UK	\$47.00
160110	265 VAC to 6 VDC wall adapter US/UK/EU/AUS/China	\$59.00
162178	Antenna extension kit, 6 ft coax cable	\$490.00
139309	Antenna kit, long-range Omni with 3 m coax cable	\$510.00
139310	Antenna kit, corner reflector 9 dbi with 3 m coax cable	\$505.00
197013	Antenna extension kit, 20 ft	\$520.00
139311	Antenna kit, corner reflector 12 dbi with 3 m coax cable	\$535.00
139312	Antenna kit, Yagi 15 dbi with 3 m coax cable	\$415.00
144345	30 m coaxial cable, for use with non-vehicle mount antenna kits	\$480.00
139313	Antenna kit, vehicle mount. 5 dbi with 5 m coaxial cable	\$160.00
150964	RS-232 13 ft (4 m) serial cable with nine-pin (female) connector	\$200.00
150965	RS-232 13 ft (4 m) serial cable with nine-pin (male) connector	\$180.00
145085	RS-232 serial cable, unterminated	\$135.00

# TranSend™ MSI-7001

Wireless Load Cell Interface System



## Standard Features

- Works with any basic digital weight indicator
- Excitation to load cell(s) provided by the transmitter, not the indicator
- Each transmitter/receiver set is individually paired
- Serial communication cable included with all transmitters
- IP68 milled aluminum enclosure

(Contact MSI for application consultation)

## Specifications

### Power:

MSI-7000: 5-6 VDC, 7-36 VDC, 85-265 VAC  
 MSI-7001: 5-6 VDC, 7-36 VDC, 85-265 VAC  
 MSI-7000HD: 7-36 VDC, 9-36 VDC, 85-265 VAC  
 MSI-7001HD: 5-6 VDC, 7-36 VDC, 9-36 VDC, 85-265 VAC

### Excitation Voltage:

Transmitter: +4.8 VDC, 16 x 350 ohm or 32 x 700 ohm load cells

### Standard Antenna:

1/2 wave 2dBi, articulated

### Frequency:

Direct sequence spread spectrum at 2.4 GHz, 802.15.4

### Effective Range:

Typically 100 to 300 ft, line of sight; for longer range consult factory

### Communication Ports:

Full duplex RS-232

### Circuit Protection:

RFI, EMI, ESD protection

### Operating Temperature :

-40 °F to 185 °F (-40 °C to 85 °C)

### Rating/Material:

MSI-7000/MSI-7001: IP68, die-cast aluminum enclosure  
 MSI-7000HD/MSI-7001HD: IP68, durable milled aluminum enclosure

### Additional RF Options:

Wi-Fi  
 802.15.4  
 FHSS

### Warranty:

One-year limited

## Part Number/Price

Part #	Description	Est. Weight	Price
<b>Transmitters</b>			
<b>5-6 VDC Power Input</b>			
160330	Single-channel transmitter, no relays, RF 802.15.4, 2.4 GHz	2 lb	\$995.00
176655	Single-channel transmitter, no relays, Wi-Fi	2 lb	\$1,050.00
<b>7-36 VDC Power Input</b>			
160329	Single-channel transmitter, no relays, RF 802.15.4, 2.4 GHz	2 lb	\$1,055.00
176656	Single-channel transmitter, no relays, Wi-Fi	2 lb	\$1,115.00
<b>85-265 VAC Power Input</b>			
160328	Single-channel transmitter, no relays, RF 802.15.4, 2.4 GHz	2 lb	\$1,090.00
176654	Single-channel transmitter, no relays, Wi-Fi	2 lb	\$1,145.00
<b>Receivers</b>			
<b>5-6 VDC Power Input</b>			
160337	Single-channel receiver to provide a mV signal to a digital weight indicator, RF 802.15.4, 2.4 GHz	2 lb	\$1,055.00
160334	Single-channel receiver to provide an analog output signal: 4-20 mA, 0-20 mA, 0-5 VDC, 0-10 VDC, ±5 VDC, ±10 VDC, RF 802.15.4, 2.4 GHz	2 lb	\$1,115.00
161941	Single-channel receiver to provide RS232 serial output	2 lb	\$825.00
<b>7-36 VDC Power Input</b>			
160336	Single-channel receiver to provide a mV signal to a digital weight indicator. RF 802.15.4, 2.4 GHz	2 lb	\$1,155.00
161939	Single-channel receiver to provide RS232 serial output	2 lb	\$940.00
160333	Single-channel receiver to provide an analog output signal: 4-20 mA, 0-20 mA, 0-5 VDC, 0-10 VDC, ±5 VDC, ±10 VDC, RF 802.15.4, 2.4 GHz	2 lb	\$1,265.00
<b>85-265 VAC Power Input</b>			
160335	Single-channel receiver to provide a mV signal to a digital weight indicator, RF 802.15.4, 2.4 GHz	2 lb	\$1,210.00
161938	Receiver to provide RS232 serial output	2 lb	\$1,005.00
160332	7001AN AC power	-	\$1,325.00

OVERHEAD WEIGHING



### Options/Accessories

Part #	Description	Price
162177	Cordset, TranSend, pre-wired for use with single channel transmitters or non-relay based receivers	\$135.00
164865	Cable, 4 m, one-channel, mV/V output, LC input	\$145.00
165648	Cable, 5 m, one-channel, mV/V output, LC input	\$165.00
165651	Cable, 10 m, one-channel, mV/V output, LC input	\$230.00
162184	Load cell connector, TranSend, field wireable, 4-6 mm straight. For use with single channel transmitters and all receivers.	\$62.00
162185	Load cell connector, TranSend, field wireable, 6-8 mm straight. For use with single channel transmitters and all receivers.	\$62.00
162186	Load cell connector, TranSend, field wireable, 4-6 mm right angle. For use with single channel transmitters and all receivers.	\$62.00
162187	Load cell connector, TranSend, field wireable, 6-8 mm right angle. For use with single channel transmitters and all receivers.	\$62.00
145084	Cable, 2 m, one-channel, analog output	\$64.00
144400	Cable, 5 m, one-channel, analog output	\$100.00
168903	Cable, 10 m, one-channel, analog output	\$150.00
Consult	Straight connector, analog output, field wire able, 4-6 mm OD	Consult
Consult	Straight connector, analog output, field wire able, 6-8 mm OD	Consult
Consult	Right angle connector, analog output, field wire able, 4-6 mm OD	Consult
Consult	Right angle connector, analog output, field wire able, 6-8 mm OD	Consult
162172	Charger, TranSend™ for 6 V SLA battery	\$70.00
162173	Battery, TranSend 6 V SLA	\$135.00
162175	Enclosure, TranSend for 6 V SLA battery	\$350.00
160109	AC adapter, TranSend 6 V	\$59.00
143531	Power cord, 6 V SLA battery charger EU	\$31.00
143533	Power cord, 6 V SLA battery charger, Australia	\$54.00
143534	Power cord, 6 V SLA battery charger, UK	\$47.00
160110	265 VAC to 6 VDC wall adapter US/UK/EU/AUS/China	\$59.00
162178	Antenna extension kit, 6 ft coax cable	\$490.00
139309	Antenna kit, long-range omni with 3 m coax cable	\$510.00
139310	Antenna kit, corner reflector 9 dbi with 3 m coax cable	\$505.00
197013	Antenna extension kit, 20 ft	\$520.00
139311	Antenna kit, corner reflector 12 dbi with 3 m coax cable	\$535.00
139312	Antenna kit, Yagi 15 dbi with 3 m coax cable	\$415.00
144345	30 m coaxial cable, for use with non-vehicle mount antenna kits	\$480.00
139313	Antenna kit, vehicle mount. 5 dbi with 5 m coaxial cable	\$160.00
150964	RS-232 13 ft (4 m) serial cable with nine-pin (female) connector	\$200.00
150965	RS-232 13 ft (4 m) serial cable with nine-pin (male) connector	\$180.00
145085	RS-232 serial cable, unterminated	\$135.00

# TranSend™ MSI-7000HD

Wireless Load Cell Interface System



## Standard Features

- Works with any basic digital weight indicator
- Excitation to load cell(s) provided by the transmitter, not the indicator
- Each transmitter/receiver set is individually paired
- Serial communication cable included with all transmitters
- IP68 milled aluminum enclosure

(Contact MSI for application consultation)

## Specifications

### Power:

MSI-7000: 5-6 VDC, 7-36 VDC, 85-265 VAC  
 MSI-7001: 5-6 VDC, 7-36 VDC, 85-265 VAC  
 MSI-7000HD: 7-36 VDC, 9-36 VDC, 85-265 VAC  
 MSI-7001HD: 5-6 VDC, 7-36 VDC, 9-36 VDC, 85-265 VAC

### Excitation Voltage:

Transmitter: +4.8 VDC, 16 x 350 ohm or 32 x 700 ohm load cells

### Standard Antenna:

1/2 wave 2dBi, articulated

### Frequency:

Direct sequence spread spectrum at 2.4 GHz, 802.15.4

### Effective Range:

Typically 100 to 300 ft, line of sight; for longer range consult factory

### Communication Ports:

Full duplex RS-232

### Circuit Protection:

RFI, EMI, ESD protection

### Operating Temperature :

-40 °F to 185 °F (-40 °C to 85 °C)

### Rating/Material:

MSI-7000/MSI-7001: IP68, die-cast aluminum enclosure  
 MSI-7000HD/MSI-7001HD: IP68, durable milled aluminum enclosure

### Additional RF Options:

Wi-Fi  
 802.15.4  
 FHSS

### Warranty:

One-year limited

## Part Number/Price

Part #	Description	Est. Weight	Price
<b>Transmitters</b>			
<b>7-36 VDC Power Input</b>			
177944	Four-channel 7-36VDC, three coil relays, 802.15.4		\$2,225.00
177997	Four-channel 7-36VDC, three coil relays, Wi-Fi		\$2,235.00
<b>9-36 VDC Power Input</b>			
177945	Four-channel 9-36VDC isolated, three coil relays, 802.15.4		\$2,320.00
177998	Four-channel 9-36VDC isolated, three coil relays, Wi-Fi		\$2,345.00
<b>85-265 VAC Power Input</b>			
177942	Four-channel 85-265VAC, three coil relays, 802.15.4		\$2,280.00
177995	Four-channel 85-265VAC, three coil relays, Wi-Fi		\$2,300.00

## Options/Accessories

Part #	Description	Price
187424	Dual XBee option kit for 7000HD with TNC antenna	\$210.00
162178	Antenna extension kit, 6 ft coax cable	\$490.00
139309	Antenna kit, long range Omni with 3 m coax cable	\$510.00
139310	Antenna kit, corner reflector 9 dbi with 3 m coax cable	\$505.00
197013	Antenna extension kit, 20 ft	\$520.00
139311	Antenna kit, corner reflector 12 dbi with 3 m coax cable	\$535.00
139312	Antenna kit, Yagi 15 dbi with 3 m coax cable	\$415.00
144345	30 m coaxial cable, for use with non-vehicle mount antenna kits	\$480.00
139313	Antenna kit, vehicle mount. 5 dbi with 5 m coaxial cable	\$160.00
148624	RS-232/RS-485 serial cable	\$140.00
143348	Cordset IP68 5-pin male	\$135.00
141263	12V Battery Half Plate, requires separate power cable	\$1,550.00

OVERHEAD WEIGHING

# TranSend™ MSI-7001HD

Wireless Load Cell Interface System



## Standard Features

- Works with any basic digital weight indicator
- Excitation to load cell(s) provided by the transmitter, not the indicator
- Each transmitter/receiver set is individually paired
- Serial communication cable included with all transmitters
- IP68 milled aluminum enclosure

(Contact MSI for application consultation)

## Specifications

### Power:

MSI-7000: 5-6 VDC, 7-36 VDC, 85-265 VAC  
 MSI-7001: 5-6 VDC, 7-36 VDC, 85-265 VAC  
 MSI-7000HD: 7-36 VDC, 9-36 VDC, 85-265 VAC  
 MSI-7001HD: 5-6 VDC, 7-36 VDC, 9-36 VDC, 85-265 VAC

### Excitation Voltage:

Transmitter: +4.8 VDC, 16 x 350 ohm or 32 x 700 ohm load cells

### Standard Antenna:

1/2 wave 2dBi, articulated

### Frequency:

Direct sequence spread spectrum at 2.4 GHz, 802.15.4

### Effective Range:

Typically 100 to 300 ft, line of sight; for longer range consult factory

### Communication Ports:

Full duplex RS-232

### Circuit Protection:

RFI, EMI, ESD protection

### Operating Temperature :

-40 °F to 185 °F (-40 °C to 85 °C)

### Rating/Material:

MSI-7000/MSI-7001: IP68, die-cast aluminum enclosure  
 MSI-7000HD/MSI-7001HD: IP68, durable milled aluminum enclosure

### Additional RF Options:

Wi-Fi  
 802.15.4  
 FHSS

### Warranty:

One-year limited

## Part Number/Price

Part #	Description	Est. Weight	Price
<b>Transmitters</b>			
<b>5-6 VDC</b>			
178010	Two-channel 5-6VDC, 802.15.4		\$1,240.00
178018	Two-channel 5-6VDC, Wi-Fi		\$1,340.00
<b>7-36 VDC</b>			
178011	Two-channel 7-36VDC, 802.15.4		\$1,325.00
178019	Two-channel 7-36VDC, Wi-Fi		\$1,350.00
<b>9-36 VAC Isolated</b>			
178012	Two-channel 9-36VDC isolated, 802.15.4		\$1,340.00
178020	Two-channel 9-36VDC isolated, Wi-Fi		\$1,425.00
<b>85-265 VAC</b>			
178021	Two-channel 85-265VAC, 802.15.4		\$1,370.00
178017	Two-channel 85-265VAC, W-iFi		\$1,400.00

## Options/Accessories

Part #	Description	Price
162172	Charger, TranSend™ for 6 V SLA battery	\$70.00
162173	Battery, TranSend 6 V SLA	\$135.00
162175	Enclosure, TranSend for 6 V SLA battery	\$350.00
160109	AC adapter, TranSend 6 V	\$59.00
143531	Power cord, 6 V SLA battery charger EU	\$31.00
143533	Power cord, 6 V SLA battery charger, Australia	\$54.00
143534	Power cord, 6 V SLA battery charger, UK	\$47.00
160110	265 VAC to 6 VDC wall adapter US/UK/EU/AUS/China	\$59.00
162178	Antenna extension kit, 6 ft coax cable	\$490.00
139309	Antenna kit, long range Omni with 3 m coax cable	\$510.00
139310	Antenna kit, corner reflector 9 dbi with 3 m coax cable	\$505.00
197013	Antenna extension kit, 20 ft	\$520.00
139311	Antenna kit, corner reflector 12 dbi with 3 m coax cable	\$535.00
139312	Antenna kit, Yagi 15 dbi with 3 m coax cable	\$415.00
144345	30 m coaxial cable, for use with non-vehicle mount antenna kits	\$480.00
139313	Antenna kit, vehicle mount. 5 dbi with 5 m coaxial cable	\$160.00
148624	RS-232/RS-485 serial cable	\$140.00
143348	Cordset IP68, 5-pin	\$135.00

OVERHEAD  
WEIGHING

# ScaleCore Webserver

Wireless Network Router/Webserver



Approvals



## Part Number/Price

Part #	Description	Price
207943	ScaleCore Webserver, 5 VDC and PoE	\$3,820.00
209704	ScaleCore Webserver, 7-14 VDC and PoE	\$3,820.00
210817	ScaleCore Webserver, 85-265 VAC and PoE wall cube	\$3,820.00

## Options/Accessories

Part #	Description	Price
Consult	Extended-range antennas	Consult
213559	MSI-8000 handheld remote display with Wi-Fi, (only to be used with MSI ScaleCore Webserver systems and applications)	\$1,560.00

## Standard Features

- Display and control multiple ScaleCore based scales, indicators, remote displays and receivers through network connected devices using a web browser, including cell phones, tablets, and PCs.
- Capable of functioning either with an existing Wi-Fi network or as its own Wi-Fi router
- Can be powered by a dedicated power input or directly through the Ethernet cable where PoE (Power over Ethernet) is supported
- RS-232 communications at up to 460 Kbps
- Scale / load cell summing
- Tiered login to limit scale functionality for different levels of users

(Contact MSI for application consultation)

## Specifications

### Minimum System Requirements:

Will display on any device with a web browser supporting HTML 5

Connected ScaleCore based MSI scales and indicators are required to have the optional Wi-Fi radio module

### Connectivity:

Wi-Fi 2.4 GHz IEEE 802.11g

Gigabit Ethernet

2 × USB 2.0 Interface

RS-232 Serial

### Status Annunciators:

Units (lb, kg, short tons (tn), metric tons (t), (NONE) gross/net, motion, center of zero

### Operating Temperature:

-10 °C to 40 °C (14 °F to 104 °F)

### Effective Range:

Typically 100 to 300 ft, line of sight; for longer range consult factory

### Enclosure:

IP65, aluminum black powder coated (excludes 85 to 265 VAC model)

### Power:

5 to 6 VDC, 7 to 14 VDC, 85 to 265 VAC, PoE

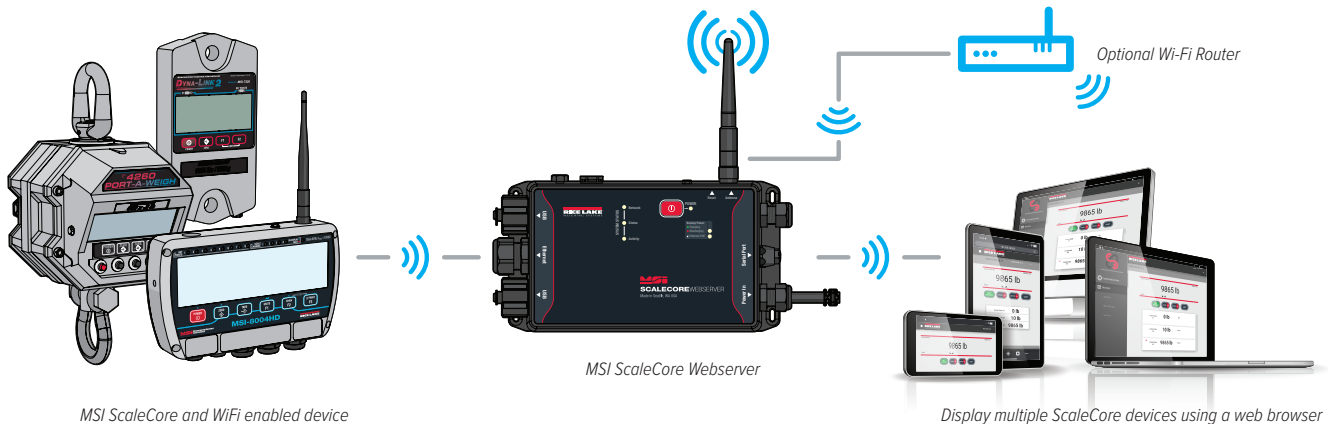
### Warranty:

One year limited

### Approvals:

NTEP CC 21-098 Classes III and IIIL at 10,000d

OVERHEAD  
WEIGHING

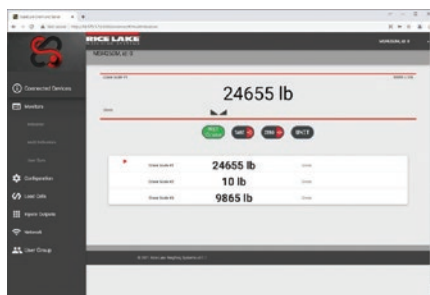
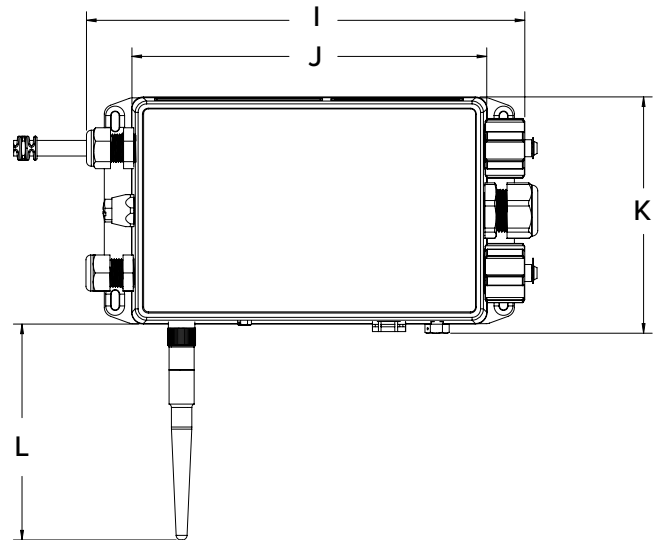
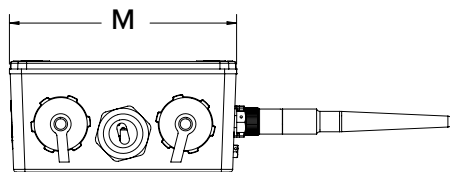
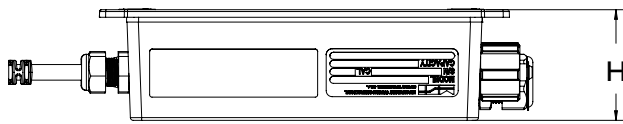
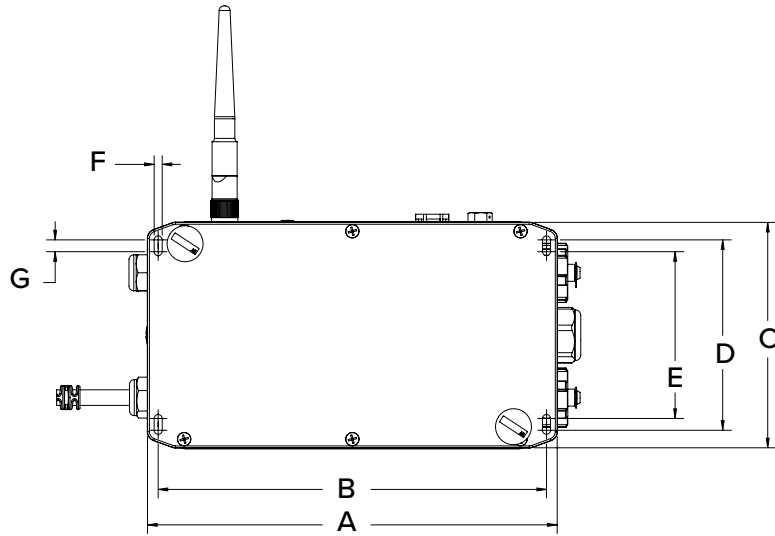


# ScaleCore Webserver

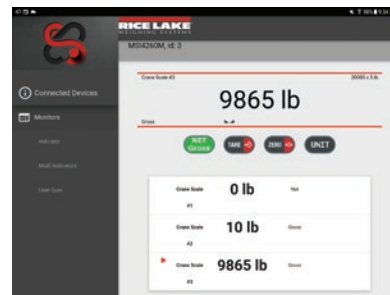
Wireless Network Router/Webserver

## Dimensions

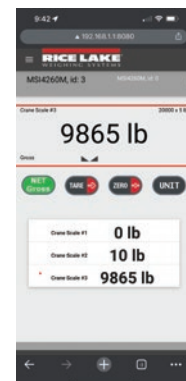
ScaleCore Webserver			
A	8.54 in (217 mm)	H	2.23 in (57 mm)
B	8.09 in (205 mm)	I	9.13 in (232 mm)
C	4.70 in (119 mm)	J	7.40 in (188 mm)
D	3.97 in (101 mm)	K	4.90 in (124 mm)
E	3.47 in (88 mm)	L	4.50 in (114 mm)
F	0.17 in (4 mm)	M	4.70 in (119 mm)
G	0.25 in (6 mm)		



Computer Screenshot



Tablet Screenshot



Phone Screenshot

OVERHEAD  
WEIGHING

# Rugged Remote



Approvals



## Part Number/Price

Part #	Description	Price
173014	MSI Rugged Remote control	\$355.00

## Standard Features

- Handheld
- Compatible with all ScaleCore™-based products including: MSI-7300 Dyna-Link 2, MSI-3460 Challenger 3, MSI-4260 Port-A-Weigh, MSI-7000 and MSI-7001 TranSend™, MSI-9600HT and MSI-6360
- Four button interface: Power, Zero, Tare, Function

## Options

(Contact MSI for application consultation)

- CE approved version available, consult for more information

## Specifications

### Power:

Battery operated, three (3) AAA alkaline batteries

### Function:

Power: turns unit ON or OFF

Zero: zeros applied load up to 100% of capacity (limited range in NTEP/OIML configurations)

Tare: tares applied load and displays weight in Net mode

User: programmable as test, units, net/gross, total, peak hold and setpoints

### Radio Effective Range:

Typically 100-300 ft line of sight

### Warranty:

One-year limited

### Approval:

CE Marked versions available

# Wi-Fi Information Request



## IN ORDER TO CUSTOMIZE A WI-FI MODULE, THE FOLLOWING INFORMATION IS REQUIRED:

Product: \_\_\_\_\_ Electronics Serial Number: \_\_\_\_\_

Network Topology:       Server       Client

**Server (Soft AP)** - User's laptop or tablet is connecting directly to the scale. Only one module may be connected at a time in this mode.

**Client** - The scale connects to an existing router. This allows a laptop or tablet to connect to multiple scales at once.

### Server Mode

- SSID: \_\_\_\_\_
  - The name for the network that the laptop/tablet is connecting to.
- Security Mode:     Open       WPA2
  - Open - Allow anyone to connect to the scale
  - WPA2 - Require a password to connect to the scale
- Password: \_\_\_\_\_
  - Only necessary if security mode is set to WPA2.
- DHCP:             On       Off
  - On - Assign a dynamic IP to the scale. The laptop/tablet connecting to the scale may have a dynamic IP (**RECOMMENDED**).
  - Off - Assign a static IP to the scale. The laptop/tablet connecting to the scale must also have a static IP.
    - IP Address-Static IP of the scale: \_\_\_\_\_
    - Net Mask/Gateway to assign to the scale: \_\_\_\_\_
  - Port - Port used to connect to the scale (default 2000): \_\_\_\_\_

### Client Mode

- SSID - The SSID of the router the scale will connect to: \_\_\_\_\_
- Security Mode - the security mode of the router:     Open       WPA2
  - Password - If the security mode of the router is WPA2, this is the password used to connect to the router \_\_\_\_\_
- DHCP:             On       Off
  - On - Allow the router to assign a dynamic IP to the scale (**RECOMMENDED**)
  - Off - Assign a static IP to the scale. This IP must be added to the static IP list in the router.
    - IP Address - Static IP of the scale: \_\_\_\_\_
    - Net Mask/Gateway to assign to the scale: \_\_\_\_\_
- Port: \_\_\_\_\_
  - Port used to connect to the scale. Must be accessible from the router.

