

VESA Pole Mount Installation

This document contains a replacement parts lists and instructions for installing optional VESA pole mount kit (PN 212745).



NOTE: The VESA pole mount kit is compatible with or without the LaserLight3 optional visor kit (PN 214693).



Manuals and additional resources are available from Rice Lake Weighing Systems at www.ricelake.com/manuals

Warranty information can be found at www.ricelake.com/warranties



CAUTION: The LaserLight3 does not have a power switch. Before working with the unit, ensure the power cord is disconnected from the power outlet.

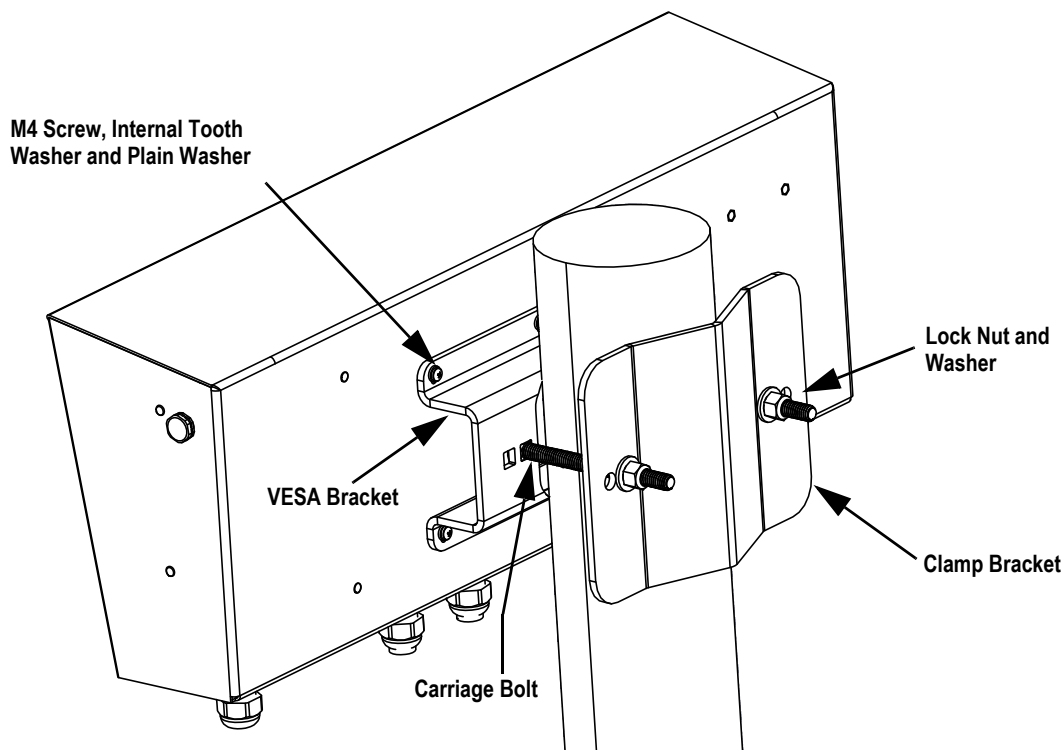


Figure 1. VESA Pole Mount Kit

Part No.	Description	Qty
212746	VESA Bracket	1
177867	Pole Clamping Bracket	1
177871	Carriage Bolt, 3/8-16 x 4-1/2 in	2
177872	Carriage Bolt, 3/8-16 x 6 in	2
21938	Washer, 3/8 in	2
22072	Hex Lock Nut, 3/8 in	2
214485	Machine Screw, M4 x 0.7 x 14 Phillips Pan Head	6
180856	Internal Tooth Washer, M4	6
193381	Plain Washer, M4	6

Table 1. VESA Pole Mount Parts

Installation

The VESA pole mount kit is attached directly to the back of the LaserLight3. Perform the following to install the VESA pole mount kit:

1. Unplug LaserLight3 from power source.
2. Place LaserLight3 on work surface.
3. Remove six mounting screws and washers securing the standard mounting bracket to the LaserLight3.
4. Remove the standard mounting bracket from LaserLight3.

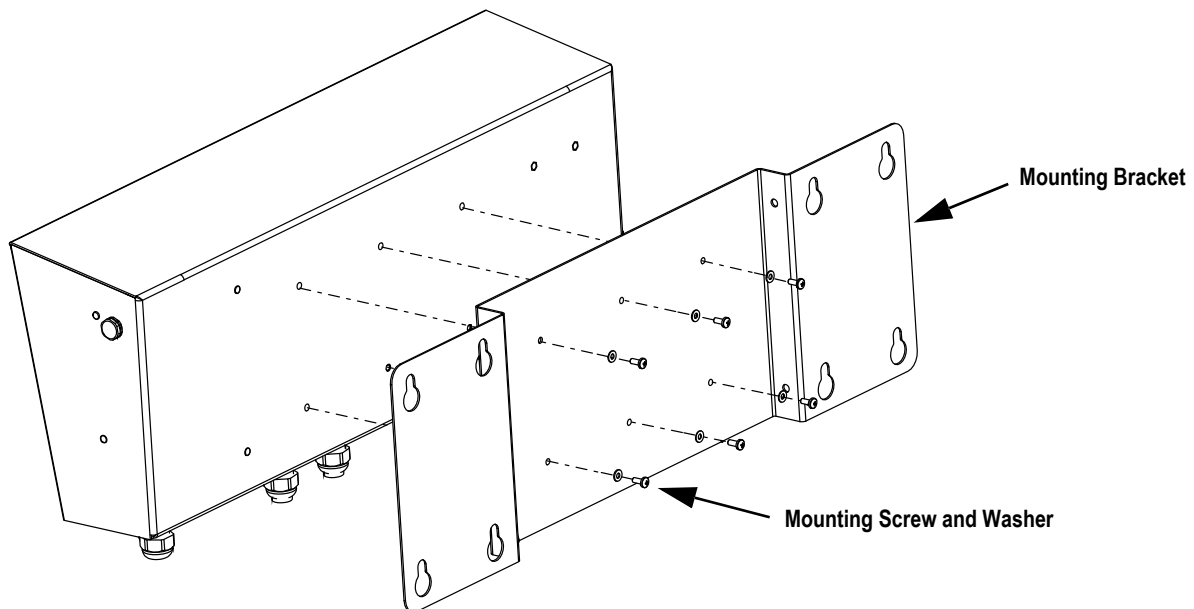


Figure 2. Remove Mounting Bracket from LaserLight3

5. Slide carriage bolts into VESA pole mounting bracket.



NOTE: There are two carriage bolts lengths (3/8-16 x 6 Inch and 3/8-16 x 4-1/2 Inch) provided and two installation positions, choose carriage bolts and positions that are suitable for application.

6. Attach pole mounting bracket to LaserLight3 with six machine screws internal tooth washers and plain washers.
7. Torque screws to 20-30 in-lb (2.26-3.39 N-m).

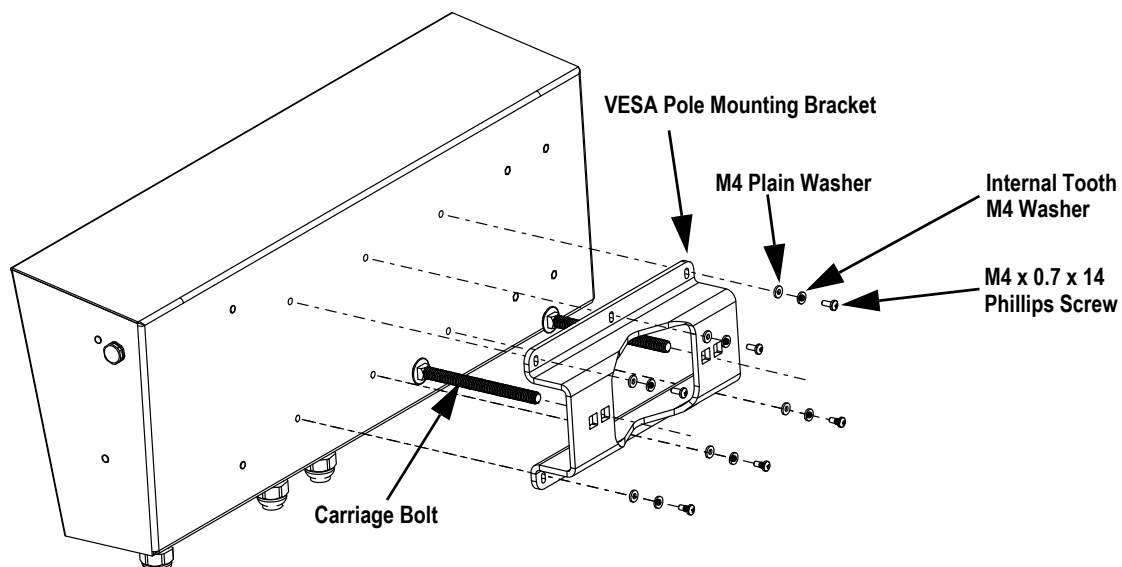


Figure 3. Install Pole Mounting Bracket to LaserLight3

8. Position pole in-between carriage bolts of pole mounting bracket.
9. Slide clamp bracket onto carriage bolts then secure with 3/8 in washers and 3/8 in hex lock nuts.



NOTE: The pole mounting assembly has two sets of mounting holes. Each sets of bracket mounting holes are for alternate diameter poles. The inner mounting holes are used for smaller diameter poles (up to four inch diameter) while the outer mount holes are used for larger diameter poles (up to six inch diameter).

10. Tighten lock nuts as necessary.

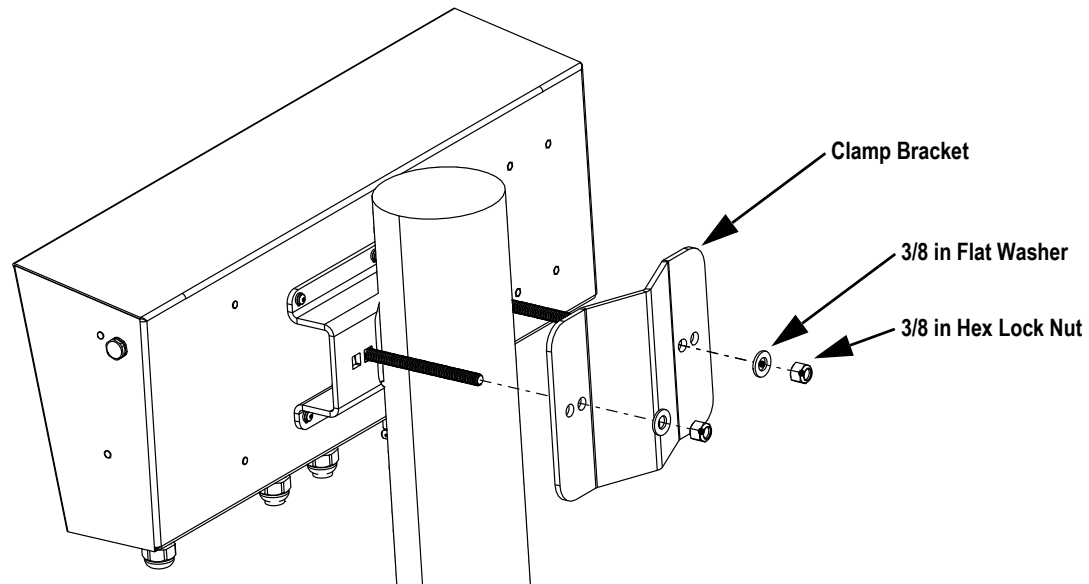


Figure 4. Install Clamp Bracket on Pole



© Rice Lake Weighing Systems Specifications subject to change without notice.

230 W. Coleman St. • Rice Lake, WI 54868 • USA
U.S. 800-472-6703 • Canada/Mexico 800-321-6703 • International 715-234-9171 • Europe +31 (0)26 472 1319