

RL-WMS-10

Wall Mount Stadiometer

Operator Manual



April 17, 2020

RICE LAKE[®]
WEIGHING SYSTEMS

PN 196009 Rev A

An ISO 9001 registered company
© Rice Lake Weighing Systems. All rights reserved.

Rice Lake Weighing Systems® is a registered trademark of
Rice Lake Weighing Systems.

All other brand or product names within this publication are trademarks or registered
trademarks of their respective companies.

All information contained within this publication is, to the best of our knowledge, complete and
accurate at the time of publication. Rice Lake Weighing Systems reserves the right to make
changes to the technology, features, specifications and design of the equipment without notice.

The most current version of this publication, software, firmware and all other product updates
can be found on our website:

www.ricelake.com

Contents

1.0	Introduction	1
	1.1 Safety.....	1
2.0	Installation	2
	2.1 Contents.....	2
	2.2 Required Tools.....	2
	2.3 Stadiometer Installation.....	3
3.0	Operation	5
	3.1 Stadiometer Operation.....	5
4.0	Specifications	7



Technical training seminars are available through Rice Lake Weighing Systems. Course descriptions and dates can be viewed at www.ricelake.com/training or obtained by calling 715-234-9171 and asking for the training department.



Rice Lake continually offers web-based video training on a growing selection of product-related topics at no cost. Visit www.ricelake.com/webinars.

1.0 Introduction

The RL-WMS-10 is efficiently designed to provide accurate, reliable and repeatable height measurements.



Manuals can be viewed or downloaded from the Rice Lake Weighing Systems website at www.ricelake.com/manuals

Warranty information can be found at www.ricelake.com on the product page.

1.1 Safety

Safety Signal Definitions:



Indicates an imminently hazardous situation that, if not avoided, will result in death or serious injury. Includes hazards that are exposed when guards are removed.



Indicates a potentially hazardous situation that, if not avoided could result in serious injury or death. Includes hazards that are exposed when guards are removed.



Indicates a potentially hazardous situation that, if not avoided, could result in minor or moderate injury.



Indicates information about procedures that, if not observed, could result in damage to equipment or corruption to and loss of data.

General Safety



Do not operate or work on this equipment unless this manual has been read and all instructions are understood. Contact any Rice Lake Weighing Systems dealer for replacement manuals.



Failure to heed may result in serious injury or death.

To avoid cross contamination, the product should be cleaned regularly.

Do not place fingers into slots or possible pinch points.

Do not make alterations or modifications to the product.

People with disabilities, or who are physically frail, should always be assisted by another person when using this product.

Do not use in the presence of flammable materials.

Do not mount in a location with electrical lines or gas pipes.

Ensure the product is placed on a stable wall surface.

For accurate measurements, the product must be level.

2.0 Installation

When unpacking the RL-WMS-10, ensure that all assembly parts are accounted for. If any parts were damaged in shipment, notify Rice Lake Weighing Systems and the shipper immediately.

IMPORTANT

Retain the original shipping materials and container should the product need to be returned. The product must be properly packed with sufficient packing materials prior to being moved or shipped.

Damage caused by improper packaging is not covered by the warranty.

2.1 Contents

The following assembly parts are included in the box:

- Height Rod
- Template
- Supplied mounting hardware

No.	Name	Specification	Qty.
1	Spacers	Φ16x10; Black Plastic	2
2	Metal screws	ST3.9x45; Carbon steel galvanized	2
3	Wall anchors	Φ5; White PE	2

Table 2-1. Mounting Hardware Kit List

2.2 Required Tools

The following tools are needed for RL-WMS-10 installation:

- Drill with a 7/32 drill bit
- Phillips screwdriver
- Hammer
- Level
- Pencil
- Masking tape



Note

If mounting to a masonry wall, use masonry mounting hardware. Masonry mounting hardware not provided.

2.3 Stadiometer Installation

1. Find a stable wall surface for mounting.
2. Align bottom of screw placement template with the floor.
3. Extend template vertically on the face of the wall and secure it to the wall with masking tape. Verify vertical placement with level.

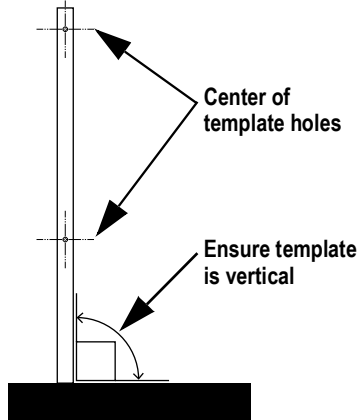


Figure 2-1. Verify Template is Vertical

4. Mark wall at the center of both template holes and remove template from wall.
 - If installing on a wood or masonry wall, skip to [Step 7](#).
5. Drill a hole at each mark with a 7/32 in drill bit.
6. Insert a wall anchor in each hole and hammer in place.
7. Insert the appropriate screw (Table 2-2) through the bottom hole of the Stadiometer.

Wall Material	Screw Type
Cement board, sheet rock, or wood walls	Self-tapping screw (ST3.9 x 45mm)
Masonry walls	Masonry mounting hardware (not provided)

Table 2-2. Wall Screw

- Place a spacer on the screw between the Stadiometer and the wall.



Figure 2-2. Spacer Placement

- Hold the Stadiometer straight and screw it halfway into the wall so it's loose enough to pivot around the bottom screw.



Figure 2-3. Bottom Screw Placement

- Screw the top of the Stadiometer to the wall then tighten the bottom screw. Make sure it is secure and level.

3.0 Operation

This section provides an overview of how to accurately measure with the RL-WMS-10.

3.1 Stadiometer Operation

Ensure that the RL-WMS-10 is level and on a stable wall surface before measuring.

Measuring Over 4'5" (134 cm)

1. Pull the headpiece upwards.
2. Position the headpiece to a horizontal position.



Figure 3-1. Measurement Arm Position Over 4'5"

3. Read the height at (A).

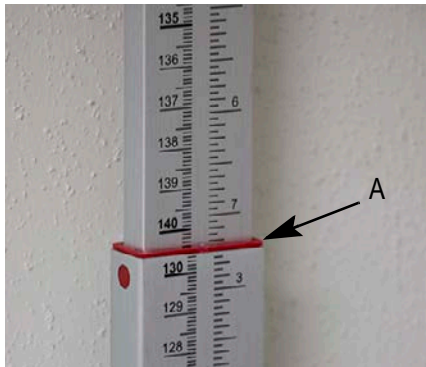


Figure 3-2. Height Reading Location Over 4'5"



Note *Fold down the headpiece after use.*

Measuring Under 4'5" (134 cm)

1. Fold the headpiece down.
2. Press (B) and pull the headpiece down the height rod.



Figure 3-3. Measurement Arm Placement Under 4'5"

3. Read the height at (C).



Figure 3-4. Height Reading Location Under 4'5"

4. Secure the headpiece back to the top of the height rod.



Note *Fold down the headpiece after use.*

4.0 Specifications

Master Carton

10 stadiometers per master carton

Measurement Range

23" - 82" (60 - 210 cm)

Measurement Accuracy

1/16" (1 mm)

Warranty

One-year limited warranty

**Note**

Measurement accuracy subject to installation accuracy



© Rice Lake Weighing Systems Specifications subject to change without notice.
Rice Lake Weighing Systems is an ISO 9001 registered company.

230 W. Coleman St. • Rice Lake, WI 54868 • USA

U.S. 800-472-6703 • Canada/Mexico 800-321-6703 • International 715-234-9171 • Europe +31 (0)26 472 1319