

### S-BEAMS

Page 259

**363, ALLOY STEEL**



S-beam type load cell with a compact and economical design. Ideally suited for scale conversions and general-purpose weighing. NTEP Certified capacities range from 100 lb to 10,000 lb; non-NTEP Certified capacity of 50 lb. Complete with 20 ft of load cell cable.



Page 260

**9363, STAINLESS STEEL**



A stainless steel S-beam type load cell with trimmed outputs for easy installation. Compact and economical design, ideally suited for scale conversions and general-purpose weighing. NTEP Certified capacities range from 100 lb to 10,000 lb; non-NTEP Certified capacity of 50 lb, 15,000 lb and 20,000 lb. Complete with 20 ft of load cell cable. Trimmed outputs makes installation easy.



Page 261

**BSP, STAINLESS STEEL**



Welded-seal stainless steel S-beam load cell designed for compression and tension. Ideal for scale conversions and general-purpose weighing. NTEP Certified capacities range from 100 to 5,000 lb; non-NTEP Certified capacity of 10,000 lb. Complete with 30 ft of load cell cable.



### SINGLE-ENDED BEAMS

Page 262

**5123, ALLOY STEEL**



Low-cost, high performance, single-ended beam designed for low-profile scales and process weighing in both Legal for Trade and non-Legal for Trade applications. Capacities range from 1,000 to 10,000 lb. Complete with 20 ft of load cell cable.



Page 263

**9123, STAINLESS STEEL**



Single-ended stainless steel beam designed for low-profile scales and process weighing in both Legal for Trade and non-Legal for Trade applications. Capacities range from 250 lb to 20,000 lb. Complete with 20 ft of load cell cable.



Page 264

**9523, STAINLESS STEEL**



Single-ended beam offers both welded sealing and stainless steel construction for use in most hostile environments. Applications include platform scales and process weighing. Capacities range from 1,000 to 10,000 lb.



Page 265

**ACB, STAINLESS STEEL**



Hermetically sealed, stainless steel, single-ended shear beam load cell utilizing a 1,000 ohm bridge. Capacities range from 500 kg to 5,000 kg.



Page 266

**9102, STAINLESS STEEL**



A form, fit and function match for the RTI 5102. It is constructed of stainless steel and ideally suited for the toughest industrial applications where high accuracy and low profile are required. Capacities range from 200 lb to 2,500 lb. Complete with 10 ft of load cell cable.



## SINGLE-ENDED BEAMS

Page 267

### 5102, ALLOY STEEL



Its high accuracy, low profile and redundant sealing make the 5102 well suited for use in small and medium platform scales, and process applications in harsh environments. Capacities range from 50 lb to 2,500 lb. Complete with 10 ft of load cell cable.

Page 268

### 5723 LINK BEAM, ALLOY STEEL



High-performance beam uses a well-proven link-loading technique. This low-cost and flexible loading method allows load movement without reading error in tanks, hoppers and platform scales. Capacities range from 1,000 to 10,000 lb.



Page 269

### SHB, STAINLESS STEEL



Constructed of stainless steel and features a welded seal for tough industrial environments where high accuracy and low profiles are required. Capacities range from 20 kg to 200 kg. Complete with 10 ft of load cell cable.



Page 270

### SSB, STAINLESS STEEL



Rugged and precise, this single-ended beam offers welded seal protection and stainless steel construction. Designed for use in the most hostile environments. Applications include platform scales, materials testing and process weighing. NTEP Certified capacities range from 1,000 to 10,000 lb.



## DOUBLE-ENDED BEAMS

Page 271

### 5103, ALLOY STEEL



Designed for truck, track and process weighing. High accuracy, low profile, tolerance to non-axial loading and redundant seal. NTEP Certified capacities range from 5,000 to 250,000 lb. Complete with 30 ft of load cell cable.



Page 272

### 9103, STAINLESS STEEL



Stainless steel double-ended beam designed for truck, track and process weighing. High accuracy, low profile and tolerance to non-axial loading and redundant seal. Capacities range from 5,000 to 150,000 lb. NTEP Certified capacities range from 10,000 to 100,000 lb. Non-NTEP Certified in 5,000 and 150,000 lb capacities. Complete with 30 ft of load cell cable.



Page 273

### 5223, ALLOY STEEL



Very high performance end-loaded, center-supported double-ended beam designed for low-profile track and truck scales in harsh environments. Parallel link loading provides free movement in all horizontal directions with virtually no friction. Capacities range from 50,000 to 100,000 lb. Complete with 40 ft of load cell cable. Optional overbraid available.



Page 274

### 9223, STAINLESS STEEL



High-profile, high accuracy compression type load cell for truck, tank, track and hopper applications. Ideally suited for harsh environments. Each cell comes with 40 ft of load cell cable. Available in 50,000 lb and 125,000 lb capacities.



DOUBLE-ENDED BEAMS

Page 275

**9803, STAINLESS STEEL**



This center loaded double-ended beam features full stainless steel construction. Ideal for both truck scale and process weighing applications. Available in 50,000 lb to 100,000 lb capacities. Each unit is provided with standard 30 ft of load cell cable.



Page 276

**9323, STAINLESS STEEL**



Very high performance end-loaded, center-supported double-ended beam designed for low-profile track and truck scales in harsh environments. Parallel link loading provides free movement in all horizontal directions with virtually no friction. Available in 50,000 lb and 60,000 lb with 30 ft of load cell cable.



Page 277

**9423, STAINLESS STEEL**



Designed for low-profile track and truck scales in harsh environments. Parallel link loading provides free movement in all horizontal directions with virtually no friction. High-performance end-loaded, center-supported double-ended beam, available in 50,000 lb and 60,000 lb. Complete with 30 ft of load cell cable.



COMPRESSION CANISTERS

Page 278

**ASC, STAINLESS STEEL**



A stainless steel, hermetically sealed, single-column compression load cell. An IP68 rating, combined with built-in surge protection, ensures the unit is well-protected. Capacities ranging from 30 T to 50 T, OIML approved and comes with 15 m of load cell cable.



Page 279

**RLC, STAINLESS STEEL**



A low profile, high performance ring torsion type load cell in stainless steel. This product is suitable for small and medium platform scales as well as process weighing. Capacities range from 0.25 T to 10 T.



Page 280

**CP, STAINLESS STEEL**



This welded-seal, canister cell is designed for compression service only. High-capacity transducers are built for reliability, durability and extreme precision. Compression Precision (CP) cells are recommended for most industrial applications. Single bridge available for 10,000 lb to 500,000 lb capacities, dual bridges available upon request. Complete with 30 ft of load cell cable.



Page 281

**CSP, STAINLESS STEEL**



This welded-seal, stainless steel canister cell is designed for compression service only. High-capacity transducers are built for reliability, durability and extreme precision. Ideal for applications where ultimate precision is needed. NTEP Certified capacities range from 25,000 lb to 200,000 lb.



Page 282

**792, STAINLESS STEEL**



Single-column design with low deflection and welded-seal for easy operation. High-alloy steel, epoxy coated for use in harsh environments. Capacities range from 50,000 lb to 200,000 lb. Complete with 35 ft of Polyurethane cable.



## SINGLE POINTS

Page 283

### 462, ALLOY STEEL



Very high-performance single-point cell designed for high-precision counter scales. Resistant to moisture and severe impact loading. Capacities range from 2 lb to 250 lb. Complete with 10 ft of load cell cable.



Page 284

### HPS, STAINLESS STEEL



This stainless steel, welded-seal, low-profile single-point load cell is designed for bench scale and checkweigher applications in caustic/acidic environments. Insensitive to off-center loading and tolerates most severe washdowns. Comes complete with 10 ft of load cell cable.



Page 285

### HPSM, STAINLESS STEEL



Low-profile single-point load cell with metric envelope designed for bench scale and checkweigher applications in caustic/acidic environments. Insensitive to off-center loading. Tolerates most severe washdowns. Capacities range from 6 kg to 30 kg. Includes 20 ft of load cell cable.



AXLE SCALE  
LOAD CELL

Page 286

### AX3040, ALLOY STEEL



Constructed of alloy steel, environmentally sealed and used in the AX3040 axle scale.



Picture is a representation of actual product

**Approvals**

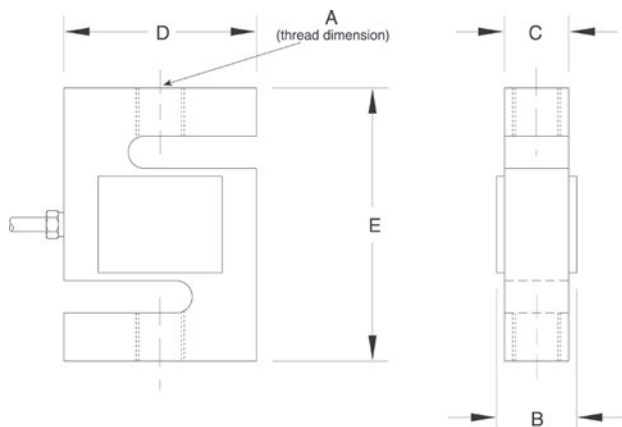


**Order Information**

Load Rating	Part #	Est. Weight	Price
<b>NTEP Certified</b>			
100 lb	21463	2 lb	\$312.00
200 lb	21464	2 lb	\$312.00
300 lb	21465	2 lb	\$312.00
500 lb	21466	2 lb	\$312.00
750 lb	21467	2 lb	\$312.00
1,000 lb	21468	2 lb	\$312.00
1,500 lb	21469	2 lb	\$312.00
2,000 lb	21470	2 lb	\$312.00
3,000 lb	21471	4 lb	\$312.00
5,000 lb	21472	4 lb	\$493.00
10,000 lb	21473	4 lb	\$493.00
<b>Non-NTEP Certified</b>			
50 lb	17043	2 lb	\$312.00

**Dimensions**

Rated Capacity	A	B	C	D	E
50 to 300	1/4-28 UNF	0.65	0.50	2.00	2.50
500 to 1,500	1/2-20 UNF	0.90	0.75	2.00	2.50
2,000	1/2-20 UNF	1.15	1.00	2.00	2.50
3,000	1/2-20 UNF	1.15	1.00	3.00	4.00
5,000 to 10,000	3/4-16 UNF	1.15	1.00	3.00	4.00



**Interchangeable Products**

RICE LAKE WEIGHING SYSTEMS  
**RL20000I**.....page 106

**Weigh Module Available**

RICE LAKE WEIGHING SYSTEMS  
**ITCM Isolated Tension Cell Mount**..... page 40

**Specifications**

**Full Scale Output:**

3.0 mV/V

**Output Resistance:**

350 (± 3.5) ohm

**Input Resistance:**

390 (± 15) ohm

**Material/Finish:**

High alloy, nickel plated

**Temperature:**

Compensated range  
14 °F to 104 °F (-10 °C to 40 °C)  
Operating range  
0 °F to 150 °F (-18 °C to 65 °C)

**Seal Type:**

Environmentally sealed, IP67

**Safe Overload:**

150% full scale

**Rated Excitation:**

5 to 10 VDC (15 V maximum)

**Combined Error:**

0.02% full scale

**Non-repeatability:**

0.01% full scale

**Insulation Resistance:**

5,000 megohm

**Cable Length:**

20 ft

**Cable Color Code:**

Red +Excitation  
Black -Excitation  
Green +Signal  
White -Signal

**Warranty:**

One-year limited

**Approvals:**

cFMus  
NTEP





Picture is a representation of actual product

**Approvals**

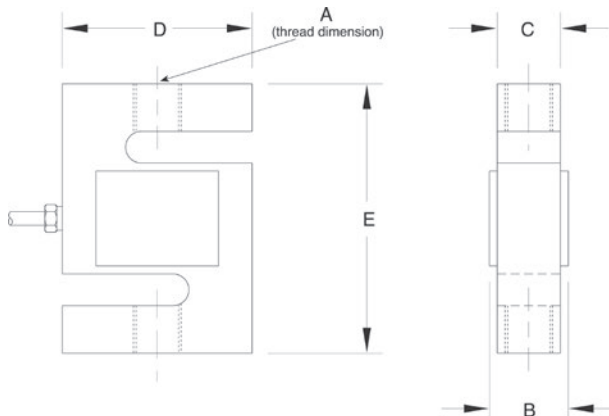


**Order Information**

Load Rating	Part #	Est. Weight	Price
<b>NTEP Certified</b>			
100 lb	31317	2 lb	\$312.00
200 lb	31316	2 lb	\$312.00
300 lb	31315	2 lb	\$312.00
500 lb	31314	2 lb	\$312.00
750 lb	31313	2 lb	\$312.00
1,000 lb	31312	2 lb	\$312.00
1,500 lb	31311	2 lb	\$312.00
2,000 lb	31310	2 lb	\$312.00
2,500 lb	98875	3 lb	\$312.00
3,000 lb	31309	4 lb	\$418.00
5,000 lb	31318	4 lb	\$503.00
10,000 lb	31308	4 lb	\$583.00
<b>Non-NTEP Certified</b>			
50 lb	17076	2 lb	\$312.00
15,000 lb	165260	7 lb	\$715.00
20,000 lb	165261	13 lb	\$948.00

**Dimensions**

Rated Capacity	A	B	C	D	E
lb/in					
50 to 300	1/4-28 UNF	0.65	0.46	2.00	2.40
500 to 1,500	1/2-20 UNF	0.90	0.71	2.00	2.40
2,000 to 2,500	1/2-20 UNF	1.13	0.96	2.00	2.40
3,000	1/2-20 UNF	1.13	0.96	3.00	3.90
5,000	3/4-16 UNF	1.15	0.96	3.00	3.90
10,000	3/4-16 UNF	1.40	1.21	2.94	3.90
15,000	1-14 UNS	1.63	1.46	3.44	5.50
20,000	1 1/4-12 UNF	1.88	1.68	4.44	7.00



**Interchangeable Products**

- RICE LAKE WEIGHING SYSTEMS  
**RL20000SS** ..... page 107
- RICE LAKE WEIGHING SYSTEMS  
**RL20000ST** ..... page 108

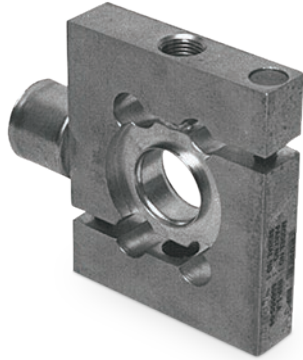
**Weigh Module Available**

- RICE LAKE WEIGHING SYSTEMS  
**ITCM Isolated Tension Cell Mount**..... page 40

**Specifications**

- Full Scale Output:**  
3.0 mV/V
- Output Resistance:**  
350 (± 3.5) ohm
- Input Resistance:**  
390 (± 15) ohm
- Material/Finish:**  
Stainless steel
- Temperature:**  
Compensated range  
14 °F to 104 °F (-10 °C to 40 °C)  
Operating range  
0 °F to 150 °F (-18 °C to 65 °C)
- Seal Type:**  
Environmentally sealed, IP67
- Safe Overload:**  
150% full scale
- Rated Excitation:**  
5 to 10 VDC (15 V maximum)
- Combined Error:**  
0.025% full scale
- Non-repeatability:**  
0.01% full scale
- Insulation Resistance:**  
5,000 megohm
- Cable Length:**  
20 ft
- Cable Color Code:**  
Red +Excitation  
Black -Excitation  
Green +Signal  
White -Signal
- Warranty:**  
One-year limited
- Approvals:**  
cFMus  
NTEP

VPG REVERE



Picture is a representation of actual product

**Approvals**

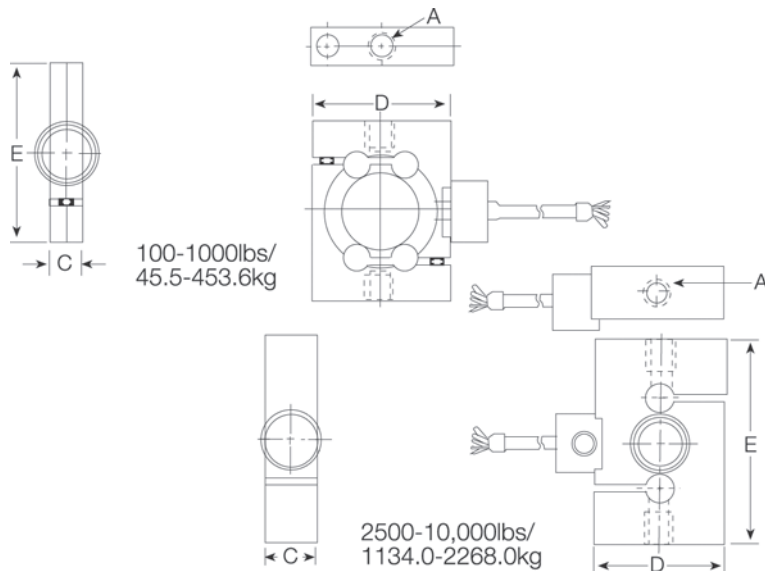


**Order Information**

Load Rating	Part #	Est. Weight	Price
<b>NTEP Certified</b>			
100 lb	21447	3 lb	\$948.00
250 lb	21448	3 lb	\$948.00
500 lb	21449	3 lb	\$948.00
1,000 lb	21450	3 lb	\$948.00
2,500 lb	21451	4 lb	\$980.00
5,000 lb	21452	6 lb	\$1,007.00
<b>Non-NTEP Certified</b>			
10,000 lb	17032	6 lb	\$1,007.00

**Dimensions**

Rated Capacity	A	C	D	E
100 to 250 lb/in	3/8-24 UNF	0.94	2.48	3.32
500	1/2-20 UNF	0.71	2.44	3.50
1,000	1/2-20 UNF	0.71	2.44	3.50
2,500	1/2-20 UNF	0.95	2.44	3.75
5,000 to 10,000	1-14 UNS	1.44	2.44	4.75



**Weigh Module Available**

RICE LAKE WEIGHING SYSTEMS  
**ITCM Isolated  
Tension Cell Mount..... page 40**

**Specifications**

- Full Scale Output:**  
3.0 mV/V
- Output Resistance:**  
350 (± 3.5) ohm
- Input Resistance:**  
350 (± 3.5) ohm
- Material/Finish:**  
Stainless steel
- Temperature:**  
Compensated range  
14 °F to 104 °F (-10 °C to 40 °C)  
Operating range  
0 °F to 150 °F (-18 °C to 65 °C)
- Seal Type:**  
Welded-seal, IP67
- Safe Overload:**  
150% full scale
- Rated Excitation:**  
5 to 10 VDC (15 V maximum)
- Combined Error:**  
0.03% full scale
- Non Repeatability:**  
0.01% full scale
- Insulation Resistance:**  
5,000 megohm
- Cable Length:**  
30 ft
- Cable Color Code:**  
Green +Excitation  
Black -Excitation  
White +Signal  
Red -Signal
- Warranty:**  
One-year limited
- Approvals:**  
cFMus  
NTEP

**VPG REVERE**

# 5123

Alloy Steel, Environmentally Sealed, NTEP Certified 1:5,000 Class III Multiple Cell, IP67



Picture is a representation of actual product

### Approvals

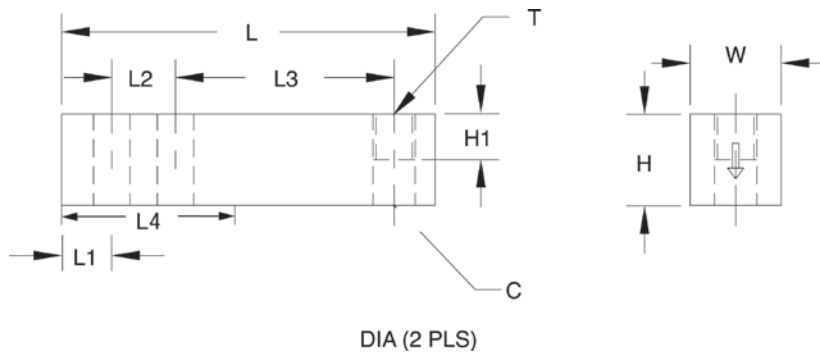


### Order Information

Load Rating	Part #	Est. Weight	Price
1,000 lb	21516	3 lb	\$312.00
2,500 lb	21517	3 lb	\$312.00
4,000 lb	21518	3 lb	\$312.00
5,000 lb	21519	8 lb	\$398.00
10,000 lb	21520	8 lb	\$398.00

### Dimensions

Rated Capacity	C	H	H1	L	L1	L2	L3	L4	T	W
1,000 to 4,000	0.53	1.25	0.62	5.12	0.62	1.00	3.00	2.25	1/2-20 UNF	1.25
5,000 to 10,000	0.78	1.50	0.75	6.75	0.75	1.50	3.75	3.12	3/4-16 UNF	1.50



### Interchangeable Products

- RICE LAKE WEIGHING SYSTEMS  
**RL30000I**.....page 122
- VPG® TEDEA-HUNTLEIGH  
**3411**.....page 322
- ARTECH®  
**30310**

### Weigh Module Available

- RICE LAKE WEIGHING SYSTEMS  
**RL50210TA**.....page 43
- RICE LAKE WEIGHING SYSTEMS  
**RL1800 Series**.....page 54

### Specifications

- Full Scale Output:**  
3.0 mV/V
- Output Resistance:**  
352 (± 3) ohm
- Input Resistance:**  
350 (± 7) ohm
- Material/Finish:**  
Alloy steel, nickel plated
- Temperature:**  
Compensated range  
14 °F to 104 °F (-10 °C to 40 °C)  
Operating range  
0 °F to 150 °F (-18 °C to 65 °C)
- Seal Type:**  
Environmentally sealed, IP67
- Safe Overload:**  
150% full scale
- Safe Sideload:**  
100% full scale
- Rated Excitation:**  
5 to 10 VDC (15 V maximum)
- Combined Error:**  
0.025% full scale
- Non-repeatability:**  
0.01% full scale
- Insulation Resistance:**  
1,000 megohm
- Deflection at Capacity:**  
1,000 lb: 0.016 in  
2,500 lb: 0.03 in  
4,000 lb: 0.04 in  
5,000 lb: 0.035 in  
10,000 lb: 0.042 in
- Cable Length:**  
20 ft
- Cable Color Code:**  
Red +Excitation  
Black -Excitation  
Green +Signal  
White -Signal
- Warranty:**  
One-year limited
- Approvals:**  
cFMus  
NTEP

VPG REVERE





Picture is a representation of actual product

Pictured with integral foot for 250lb-2,000lb

Approvals



Order Information

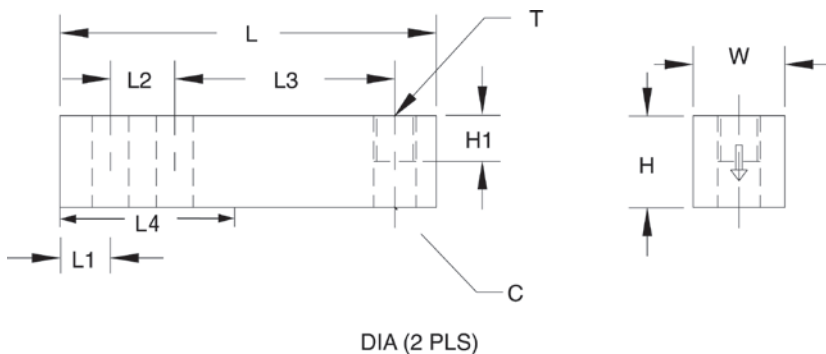
Load Rating	Part #	Est. Weight	Price
<b>NTEP Certified</b>			
250 lb*	69380	3 lb	\$312.00
500 lb*	69381	3 lb	\$312.00
1,000 lb*	69382	3 lb	\$312.00
2,000 lb*	99314	3 lb	\$312.00
2,500 lb	69383	3 lb	\$312.00
4,000 lb	69384	3 lb	\$312.00
5,000 lb SE	69385	3 lb	\$312.00
5,000 lb LE	69386	8 lb	\$398.00
10,000 lb	69387	8 lb	\$398.00
15,000 lb	69388	8 lb	\$683.00
20,000 lb	69389	9 lb	\$683.00
<b>Conduit Adapters (must be factory installed to maintain warranty)</b>			
1/4-18 NPT	31534	1 lb	\$37.00

SE=small envelope; LE=large envelope

\* Load cell has an integral foot

Dimensions

Rated Capacity	C	H	H1	L	L1	L2	L3	L4	T	W
lb/in										
250 to 5,000 SE	0.53	1.23	0.67	5.12	0.62	1.00	3.00	2.25	1/2-20 UNF	1.23
5,000 LE to 15,000	0.78	1.45	0.70	6.75	0.75	1.50	3.75	3.12	3/4-16 UNF	1.50
20,000	1.06	1.95	0.98	8.75	1.00	2.00	4.75	4.00	1-12 UNF	1.95



Interchangeable Products

RICE LAKE WEIGHING SYSTEMS  
**RL39123\*\*** .....page 125

Weigh Module Available

RICE LAKE WEIGHING SYSTEMS  
**RL50210TA**.....page 43  
 RICE LAKE WEIGHING SYSTEMS  
**RL1800 Series**..... page 54

\*\* Non-NTEP Certified

Specifications

**Full Scale Output:**  
3.0 mV/V

**Output Resistance:**  
350 (± 3.5) ohm

**Input Resistance:**  
350 (± 3.5) ohm

**Material/Finish:**  
Stainless steel

**Temperature:**  
Compensated range  
0 °F to 150 °F (-18 °C to 65 °C)  
Operating range  
0 °F to 150 °F (-18 °C to 65 °C)

**Seal Type:**  
Environmentally sealed, IP67

**Safe Overload:**  
150% full scale

**Safe Sideload:**  
100% full scale

**Rated Excitation:**  
5 to 10 VDC (15 V maximum)

**Combined Error:**  
0.02% full scale

**Non-repeatability:**  
0.01% full scale

**Insulation Resistance:**  
5,000 megohm

**Cable Length:**  
20 ft

**Cable Color Code:**  
Red +Excitation  
Black -Excitation  
Green +Signal  
White -Signal

**Warranty:**  
One-year limited

**Approvals:**  
cFMus  
NTEP

# 9523

Stainless Steel, Welded-seal, IP67



Picture is a representation of actual product

### Approvals

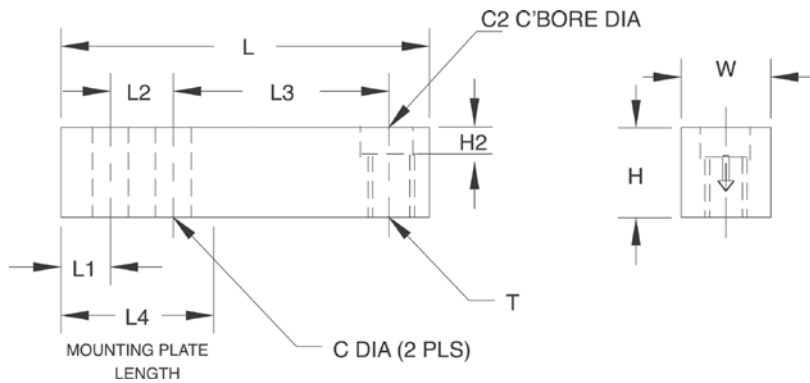


### Order Information

Load Rating	Part #	Est. Weight	Price
1,000 lb	17221	3 lb	\$577.00
2,500 lb	17222	3 lb	\$577.00
4,000 lb	17223	3 lb	\$577.00
5,000 lb	17224	5 lb	\$636.00
10,000 lb	17225	5 lb	\$662.00

### Dimensions

Rated Capacity	C	C2	H	H2	L	L1	L2	L3	L4	T	W
1,000 to 4,000	0.53	0.81	1.25	0.56	6.12	1.62	1.00	3.00	3.38	1/2-20 UNF	1.25
5,000 to 10,000	0.78	1.19	1.50	0.59	7.71	1.71	1.50	3.75	4.08	3/4-16 UNF	1.50



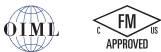
### Specifications

- Full Scale Output:**  
3.0 mV/V
- Output Resistance:**  
350 (± 3.5) ohm
- Input Resistance:**  
350 (± 3.5) ohm
- Material/Finish:**  
Stainless steel
- Temperature:**  
Operating range  
0 °F to 150 °F (-18 °C to 65 °C)
- Seal Type:**  
Welded-seal, IP67
- Safe Overload:**  
150% full scale
- Safe Sideload:**  
100% full scale
- Rated Excitation:**  
5 to 10 VDC (15 V maximum)
- Non-repeatability:**  
0.01% full scale
- Combined Error:**  
0.03% full scale
- Insulation Resistance:**  
5,000 megohm
- Deflection at Capacity:**  
1,000 lb: 0.016 in  
2,500 lb: 0.03 in  
4,000 lb: 0.041 in  
5,000 lb: 0.035 in  
10,000 lb: 0.042 in
- Cable Length:**  
20 ft
- Cable Color Code:**  
Red +Excitation  
Black -Excitation  
Green +Signal  
White -Signal
- Warranty:**  
One-year limited
- Approvals:**  
cFMus



Picture is a representation of actual product

**Approvals**

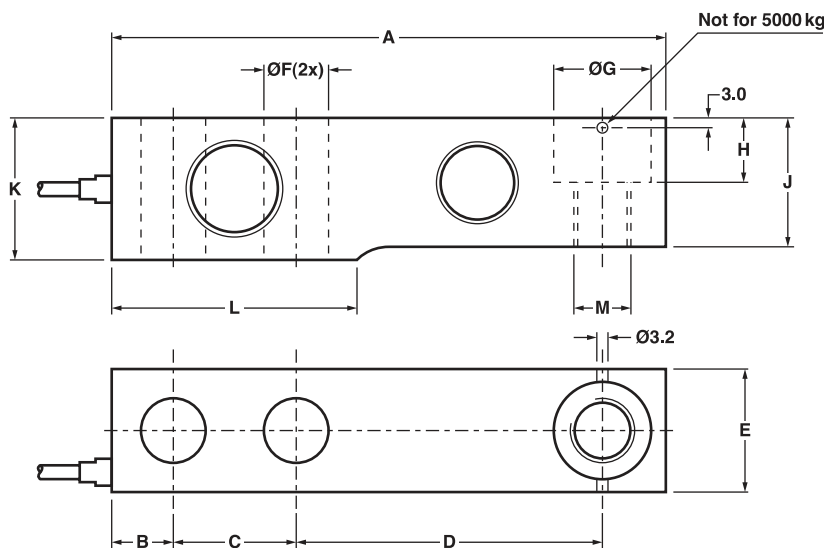


**Order Information**

Load Rating	Part #	Est. Weight	Price
500 kg	<b>166750</b>	2 lb	\$344.00
1,000 kg	<b>166751</b>	2 lb	\$344.00
2,000 kg	<b>166752</b>	3 lb	\$344.00
5,000 kg	<b>166753</b>	4 lb	\$477.00

**Dimensions**

Rated Capacity	A	B	C	D	E	F	G	H	J	K	L	M
kg/mm												
500	130.0	15.5	25.4	76.2	31.8	13.0	20.5	14.2	26	31.8	57.1	M12
1,000	130.0	15.5	25.4	76.2	31.8	13.0	20.5	14.2	28	31.8	57.1	M12
2,000	130.0	15.5	25.4	76.2	31.8	13.0	20.5	14.2	32	35.8	57.1	M12
5,000	172.0	19.1	38.1	95.3	38.0	20.5	30.2	20.0	40	44.0	76.2	M20



**Specifications**

**Full Scale Output:**  
2mV/V

**Output Resistance:**  
1,000 (± 10) ohm

**Input Resistance:**  
1,000 (± 50) ohm

**Material/Finish:**  
Stainless steel

**Temperature:**  
Compensated range  
14 °F to 104 °F (-10 °C to 40 °C)  
Operating range  
0 °F to 150 °F (-18 °C to 65 °C)

**Seal Type:**  
Hermetically sealed, IP68

**Safe Overload:**  
150% full scale

**Rated Excitation:**  
5 to 12 VDC

**Combined Error:**  
0.02%

**Insulation Resistance:**  
5,000 megohm

**Cable Length:**  
500 to 1,000 kg: 3 m  
2,000 to 5,000 kg: 6 m

**Cable Color Code:**  
Green +Excitation  
Black -Excitation  
White +Signal  
Red -Signal  
Yellow +Sense  
Blue -Sense

**Warranty:**  
One-year limited

**Approvals:**  
cFMus  
OIML



# 9102

Stainless Steel, Welded-seal, NTEP Certified 1:5,000 Class III Multiple Cell, IP66/68



Picture is a representation of actual product

**Approvals**

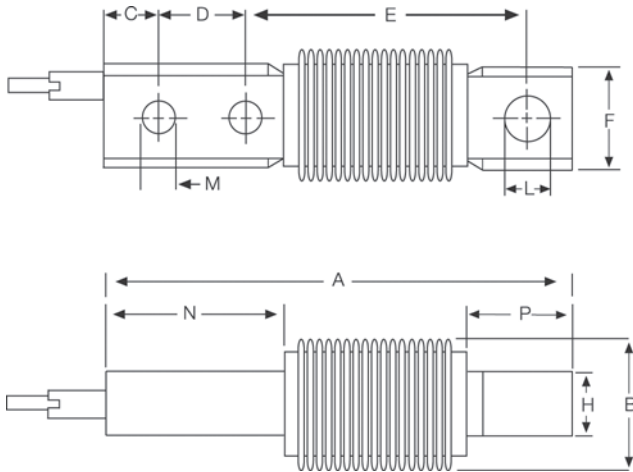


**Order Information**

Load Rating	Part #	Est. Weight	Price
200 lb	40917	2 lb	\$842.00
500 lb	40918	2 lb	\$842.00
1,000 lb	40919	2 lb	\$842.00
2,500 lb	40920	2 lb	\$842.00

**Dimensions**

Rated Capacity	A	B	C	D	E	F	H	L	M	N	P
lb/in											
200	5.00	1.53	0.38	0.62	3.50	1.22	0.75	0.39	0.27	1.50	1.25
500 to 1,000	5.38	1.53	0.62	1.00	3.25	1.22	0.75	0.40	0.40	2.07	1.20
2,500	5.38	1.53	0.62	1.00	3.25	1.22	0.75	0.53	0.40	2.07	1.20



**Interchangeable Products**

VPG® REVERE

5102 .....page 267

**Specifications**

- Full Scale Output:**  
2.0 mV/V
- Output Resistance:**  
350 (± 3.5) ohm
- Input Resistance:**  
350 (± 3.5) ohm
- Material/Finish:**  
Stainless steel
- Temperature:**  
Compensated range  
14 °F to 104 °F (-10 °C to 40 °C)  
Operating range  
0 °F to 150 °F (-18 °C to 65 °C)
- Seal Type:**  
Welded-seal, IP66/68
- Safe Overload:**  
150% full scale
- Rated Excitation:**  
5 to 10 VDC (15 V maximum)
- Combined Error:**  
0.03% full scale
- Non-repeatability:**  
0.01% full scale
- Insulation Resistance:**  
5,000 megohm
- Deflection at Capacity:**  
200 lb: 0.020 in  
500 to 2,500 lb: 0.026 in
- Cable Length:**  
10 ft
- Cable Color Code:**  
Red +Excitation  
Black -Excitation  
Green +Signal  
White -Signal
- Warranty:**  
One-year limited
- Approvals:**  
cFMus  
NTEP



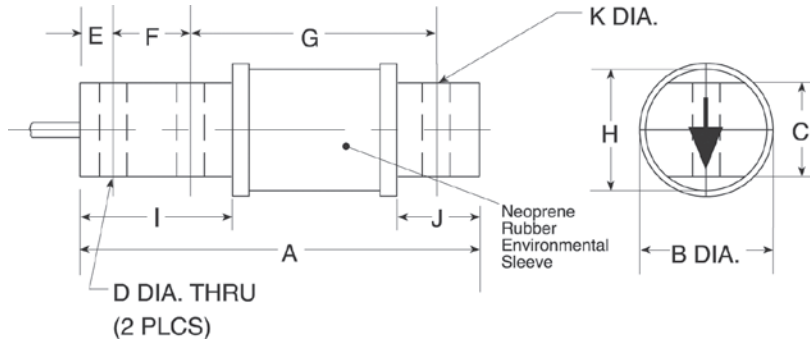
Picture is a representation of actual product

## Order Information

Load Rating	Part #	Est. Weight	Price
50 lb	<b>21709</b>	2 lb	\$514.00
100 lb	<b>21710</b>	2 lb	\$514.00
200 lb	<b>21711</b>	2 lb	\$514.00
500 lb	<b>21712</b>	2 lb	\$514.00
1,000 lb	<b>21713</b>	2 lb	\$535.00
2,500 lb	<b>21714</b>	2 lb	\$535.00

## Dimensions

Rated Capacity	A	B	C	D	E	F	G	H	I	J	K
lb/in											
50 to 200	5.00	1.25	0.75	0.27	0.38	0.62	3.50	1.23	1.50	1.25	0.39
500 to 1,000	5.38	1.25	0.75	0.41	0.62	1.00	3.25	1.23	2.07	1.20	0.41
2,500	5.38	1.25	0.75	0.41	0.62	1.00	3.25	1.23	2.07	1.20	0.53



## Interchangeable Products

VPG® REVERE

**9102** ..... page 266

## Specifications

### Full Scale Output:

2.0 mV/V

### Output Resistance:

350 (± 3.5) ohm

### Input Resistance:

350 (± 3.5) ohm

### Material/Finish:

High-alloy steel, nickel plated

### Temperature:

Operating range  
0 °F to 150 °F (-18 °C to 65 °C)

### Seal Type:

Environmentally sealed with neoprene sleeve, IP67

### Safe Overload:

150% full scale

### Rated Excitation:

5 to 10 VDC (15 V maximum)

### Combined Error:

0.03% full scale

### Non-repeatability:

0.01% full scale

### Insulation Resistance:

5,000 megohms

### Deflection at Capacity:

50 to 200 lb: 0.020 in  
500 to 2,500 lb: 0.026 in

### Cable Length:

10 ft

### Cable Color Code:

Red +Excitation  
Black -Excitation  
Green +Signal  
White -Signal

### Warranty:

One-year limited

### Approvals:

cFMus

# 5723

Alloy Steel, Environmentally Sealed, NTEP Certified 1:5,000 Class III Multiple Cell, IP67



Picture is a representation of actual product

### Approvals

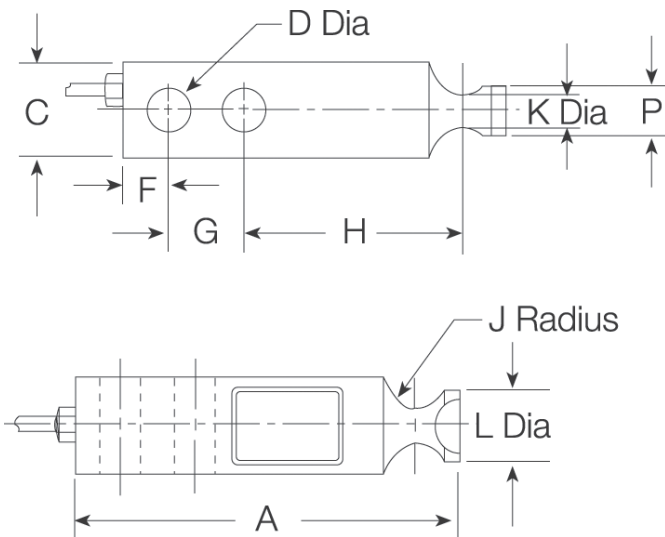


### Order Information

Load Rating	Part #	Est. Weight	Price
1,000 lb	31396	3 lb	\$334.00
1,500 lb	79713	3 lb	\$334.00
2,500 lb	31397	3 lb	\$365.00
4,000 lb	31398	3 lb	\$365.00
5,000 lb	31399	4 lb	\$503.00
7,500 lb	85306	4 lb	\$503.00
10,000 lb	31400	4 lb	\$503.00

### Dimensions

Rated Capacity	A	C	D	F	G	H	J	K	L	P
1,000 to 4,000	5.12	1.25	0.53	0.62	1.00	3.00	0.44	0.60	0.92	0.62
5,000 to 10,000	6.75	1.50	0.78	0.75	1.50	3.75	0.56	0.86	1.20	0.90



### Interchangeable Products

ARTECH®  
30410

### Specifications

- Full Scale Output:**  
3.0 mV/V
- Output Resistance:**  
350 (± 3.5) ohm
- Input Resistance:**  
350 (± 3.5) ohm
- Material/Finish:**  
High-alloy steel
- Temperature:**  
Compensated range  
14 °F to 104 °F (-10 °C to 40 °C)  
Operating range  
0 °F to 150 °F (-18 °C to 65 °C)
- Seal Type:**  
Environmentally sealed, IP67
- Safe Overload:**  
150% full scale
- Safe Sideload:**  
100% full scale
- Rated Excitation:**  
5 to 10 V
- Non-repeatability:**  
0.01% full scale
- Combined Error:**  
0.02% full scale
- Insulation Resistance:**  
5,000 megohm
- Deflection at Capacity:**  
1,000 lb: 0.016 in  
2,500 lb: 0.03 in  
4,000 lb: 0.04 in  
5,000 lb: 0.035 in  
10,000 lb: 0.042 in
- Cable Length:**  
20 ft
- Cable Color Code:**  
Red +Excitation  
Black -Excitation  
Green +Signal  
White -Signal
- Warranty:**  
One-year limited
- Approvals:**  
cFMus  
NTEP

VPG REVERE



Picture is a representation of actual product

**Approvals**

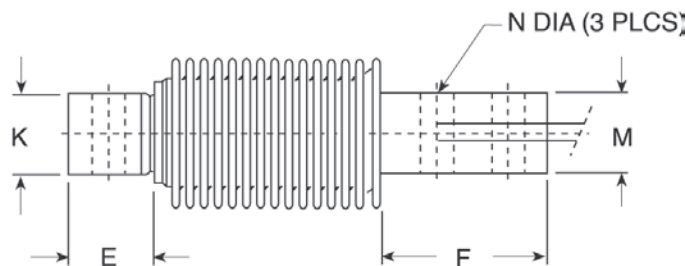
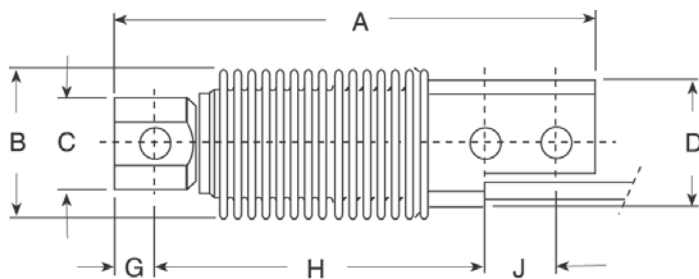


**Order Information**

Load Rating	Part #	Est. Weight	Price
20 kg	<b>28801</b>	2 lb	\$455.00
50 kg	<b>28802</b>	2 lb	\$455.00
100 kg	<b>28803</b>	2 lb	\$455.00
200 kg	<b>28804</b>	2 lb	\$455.00

**Dimensions**

Rated Capacity	A	B	C	D	E	F	G	H	J	K	M	N
kg/mm												
20 to 200	120.0	38.0	22.9	31.7	21.2	42.0	10.0	82.0	18.0	20.0	20.0	8.20



**Interchangeable Products**

- RICE LAKE WEIGHING SYSTEMS  
**RL9018SS** .....page 121  
 HBK®  
**Z6** ..... page 240

**Specifications**

**Full Scale Output:**  
2.0 mV/V

**Output Resistance:**  
350 (± 3.5) ohm

**Input Resistance:**  
460 (± 3.5) ohm

**Material/Finish:**  
Stainless steel

**Temperature:**  
Compensated range  
14 °F to 104 °F (-10 °C to 40 °C)  
Operating range  
0 °F to 150 °F (-18 °C to 65 °C)

**Seal Type:**  
Welded-seal, IP67

**Safe Overload:**  
150% full scale

**Rated Excitation:**  
5 to 10 VDC (15 V maximum)

**Combined Error:**  
0.02% full scale (SHB-A3)

**Non-repeatability:**  
0.01% full scale

**Insulation Resistance:**  
5,000 megohm

**Deflection at Capacity:**  
0.4 mm

**Cable Length:**  
10 ft

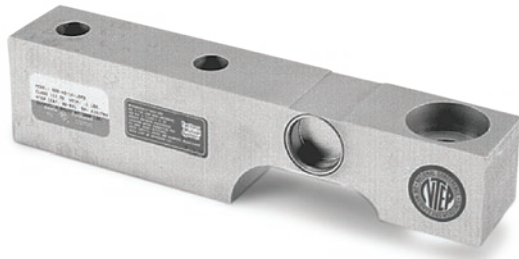
**Cable Color Code:**  
Green +Excitation  
Black -Excitation  
White +Signal  
Red -Signal

**Warranty:**  
One-year limited

**Approvals:**  
cFMus  
NTEP

# SSB

Stainless Steel, Welded-seal, NTEP Certified 1:10,000 Class III Single Cell, IP67



Picture is a representation of actual product

### Approvals

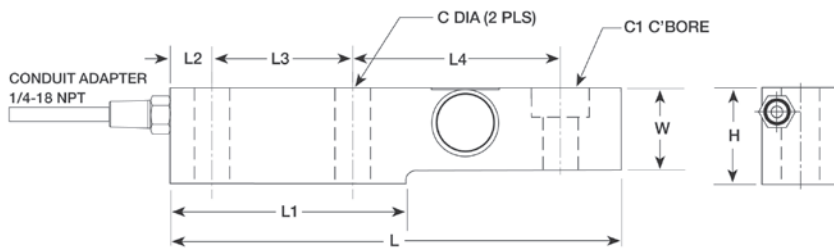


### Order Information

Load Rating	Part #	Est. Weight	Price
1,000 lb	21538	5 lb	\$726.00
2,000 lb	21539	5 lb	\$726.00
5,000 lb	21540	5 lb	\$726.00
10,000 lb	21541	10 lb	\$805.00

### Dimensions

Rated Capacity	C	W	C1	H	L	L1	L2	L3	L4	CONDUIT ADAPTER
lb/in										
1,000 to 5,000	0.53	1.44	1.19 x 0.56 DP	1.88	8.00	4.00	0.75	2.50	3.87	1/4-18NPT
10,000	0.88	1.88	1.63 x 0.62 DP	2.75	9.25	4.62	0.81	2.62	4.87	1/4-18NPT



### Interchangeable Products

RICE LAKE WEIGHING SYSTEMS  
**RLSSB**.....page 129  
 HBK®  
**SB3**

### Weigh Module Available

RICE LAKE WEIGHING SYSTEMS  
**RL1900 Series**.....page 57

### Specifications

- Full Scale Output:**  
2.0 mV/V
- Output Resistance:**  
350 (± 3.5) ohm
- Input Resistance:**  
350 (± 3.5) ohm
- Material/Finish:**  
Stainless steel
- Temperature:**  
Compensated range  
14 °F to 104 °F (-10 °C to 40 °C)  
Operating range  
0 °F to 150 °F (-18 °C to 65 °C)
- Seal Type:**  
Welded-seal, IP67
- Safe Overload:**  
150% full scale
- Safe Sideload:**  
100% full scale
- Rated Excitation:**  
5 to 10 VDC (15 V maximum)
- Combined Error:**  
0.02% full scale
- Non-repeatability:**  
0.01% full scale
- Insulation Resistance:**  
5,000 megohm
- Deflection at Capacity:**  
0.018 in
- Cable Length:**  
15 ft
- Cable Color Code:**  
Green +Excitation  
Black -Excitation  
White +Signal  
Red -Signal
- Warranty:**  
One-year limited
- Approvals:**  
cFMus  
NTEP





Picture is a representation of actual product

Approvals

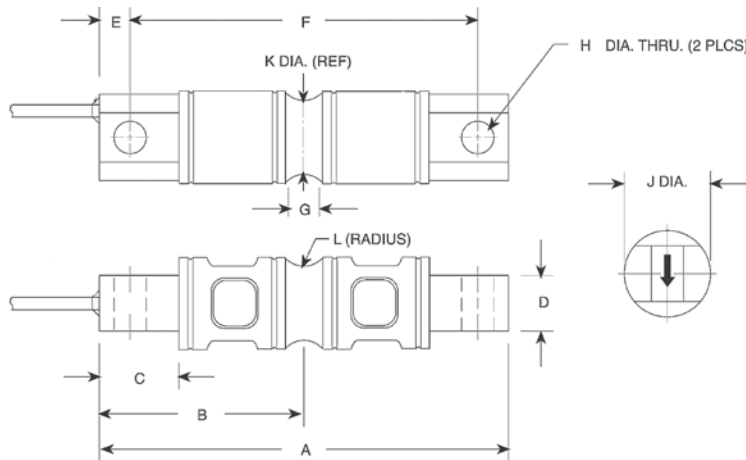


Order Information

Load Rating	Part #	Est. Weight	Price
5,000 lb	34494	5 lb	\$694.00
10,000 lb	34495	5 lb	\$694.00
20,000 lb	34496	6 lb	\$694.00
30,000 lb	34497	19 lb	\$800.00
40,000 lb	34498	19 lb	\$800.00
50,000 lb	34499	19 lb	\$895.00
60,000 lb	34500	19 lb	\$895.00
75,000 lb	159506	19 lb	\$895.00
100,000 lb	34501	30 lb	\$1,563.00
150,000 lb	17292	35 lb	\$1,563.00
200,000 lb	17293	46 lb	\$2,940.00
250,000 lb	17294	92 lb	\$2,940.00

Dimensions

Rated Capacity	A	B	C	D	E	F	G	H	J	K	L
5,000 to 10,000	8.12	4.06	1.44	1.12	0.62	6.87	0.62	0.65	1.70	1.48	0.50
20,000	8.12	4.06	1.44	1.12	0.62	6.87	0.84	0.65	1.95	1.48	0.50
30,000 to 75,000	10.25	5.12	1.88	2.37	0.88	8.50	1.00	1.06	3.00	2.73	1.00
100,000	11.25	5.62	1.88	2.50	0.88	9.50	1.00	1.06	3.50	3.24	1.50
150,000	11.25	5.62	1.88	2.80	0.88	9.50	1.25	1.06	3.90	3.64	1.50
200,000 to 250,000	16.10	8.05	3.05	4.60	1.55	13.00	1.30	1.55	5.375	5.17	2.00



Interchangeable Products

- RICE LAKE WEIGHING SYSTEMS
- RL70000.....page 141
- RL72020.....page 137

Weigh Module Available

- RICE LAKE WEIGHING SYSTEMS
- EZ Mount 1.....page 74

Specifications

- Full Scale Output:** 3.0 mV/V
- Output Resistance:** 700 (± 7) ohm
- Input Resistance:** 700 (± 7) ohm
- Material/Finish:** High-alloy steel, nickel plated
- Temperature:** Compensated range 14 °F to 104 °F (-10 °C to 40 °C)  
Operating range 0 °F to 150 °F (-18 °C to 65 °C)
- Seal Type:** Environmentally sealed, IP67
- Safe Overload:** 150% full scale
- Safe Sideload:** 100% full scale
- Rated Excitation:** 5 to 10 VDC (15 V maximum)
- Non-repeatability:** 0.01% full scale
- Combined Error:** 0.025% full scale
- Insulation Resistance:** 5,000 megohm
- Deflection at Capacity:** 5,000 lb: 0.02 in  
10,000 lb: 0.025 in  
20,000 lb: 0.042 in  
30,000 to 50,000 lb: 0.02 in  
60,000 lb: 0.025 in  
100,000 to 150,000 lb: 0.02 in  
200,000 to 250,000 lb: 0.035 in

- Cable Length:** 30 ft
- Cable Diameter:** 0.295 in  
Polyurethane jacket
- Cable Color Code:** Red +Excitation  
Black -Excitation  
Green +Signal  
White -Signal

**Warranty:** One-year limited

**Approvals:** cFMus  
NTEP

VPG REVERE

# 9103

Stainless Steel, Environmentally Sealed, NTEP Certified 1:10,000 Class III Multiple Cell, IP67



Picture is a representation of actual product

### Approvals

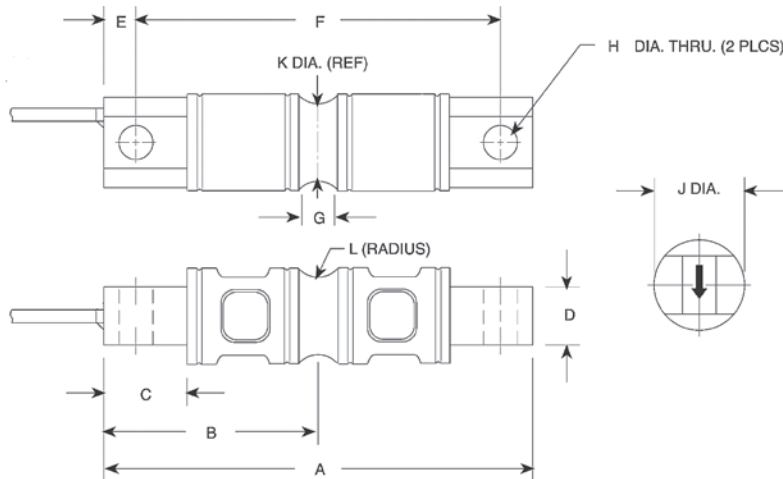


### Order Information

Load Rating	Part #	Est. Weight	Price
<b>NTEP Certified</b>			
10,000 lb	17329	5 lb	\$820.00
20,000 lb	17330	5 lb	\$820.00
30,000 lb	17331	19 lb	\$901.00
40,000 lb	17332	19 lb	\$901.00
50,000 lb	17333	19 lb	\$1,007.00
60,000 lb	17334	19 lb	\$1,007.00
100,000 lb	17335	30 lb	\$1,960.00
<b>Non-NTEP Certified</b>			
5,000 lb	17328	5 lb	\$795.00
150,000 lb	17336	30 lb	\$2,008.00
<b>Conduit Adapter Kit (must be factory installed to maintain warranty)</b>			
3/8-24 to 1/4-18NPT	31534	1 lb	\$37.00
5/8-18UNF to 1/2-14 NPT	31535	1 lb	\$37.00

### Dimensions

Rated Capacity	A	B	C	D	E	F	G	H	J	K	L
5,000 to 10,000 lb/in	8.12	4.06	1.44	1.12	0.62	6.88	0.62	0.66	1.70	1.48	0.50
20,000	8.12	4.06	1.44	1.12	0.62	6.88	0.84	0.66	1.95	1.48	0.50
30,000 to 60,000	10.25	5.12	1.88	2.37	0.88	8.50	1.00	1.06	3.00	2.73	1.00
100,000	11.25	5.62	1.88	2.50	0.88	9.50	1.00	1.06	3.50	3.24	1.50
150,000	11.25	5.62	1.88	2.80	0.88	9.50	1.25	1.06	3.90	3.64	1.50



VPG REVERSE

### Interchangeable Products

- RICE LAKE WEIGHING SYSTEMS
- RL70000SS ..... page 143
- RL72020SS..... page 138

### Weigh Module Available

- RICE LAKE WEIGHING SYSTEMS
- EZ Mount 1.....page 74

### Specifications

- Full Scale Output:** 3.0 mV/V
- Output Resistance:** 700 (± 7) ohm
- Input Resistance:** 700 (± 7) ohm
- Material/Finish:** Stainless steel
- Temperature:** Compensated range 14 °F to 104 °F (-10 °C to 40 °C)  
Operating range 0 °F to 150 °F (-18 °C to 65 °C)
- Seal Type:** Environmentally sealed, IP67
- Safe Overload:** 150% full scale
- Safe Sideload:** 100% full scale
- Rated Excitation:** 5 to 10 VDC (15 V maximum)
- Non-repeatability:** 0.02% full scale
- Combined Error:** 0.03% full scale
- Insulation Resistance:** 5,000 megohm
- Deflection at Capacity:** 5,000 lb: 0.02 in  
10,000 lb: 0.025 in  
20,000 lb: 0.042 in  
30,000 to 50,000 lb: 0.02 in  
60,000 lb: 0.025 in  
100,000 to 150,000 lb: 0.02 in
- Cable Length:** 30 ft
- Cable Diameter:** 0.295 in  
Polyurethane jacket
- Cable Color Code:** Red +Excitation  
Black -Excitation  
Green +Signal  
White -Signal
- Warranty:** One-year limited
- Approvals:** cFMus  
NTEP



Picture is a representation of actual product

**Approvals**

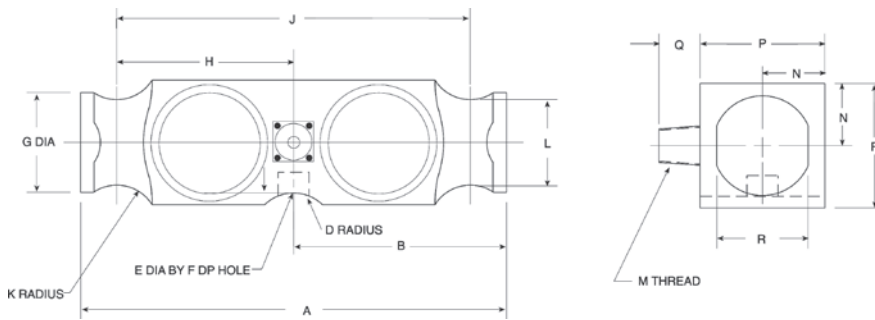


**Order Information**

Load Rating	Part #	Est. Weight	Price
50,000 lb	<b>21605</b>	22 lb	\$901.00
65,000 lb	<b>21606</b>	22 lb	\$901.00
100,000 lb	<b>21607</b>	22 lb	\$1,160.00
Overbraided Cable			
50,000 lb	<b>101121</b>	24 lb	\$948.00
65,000 lb	<b>101122</b>	24 lb	\$948.00
100,000 lb	<b>101123</b>	24 lb	\$1,266.00

**Dimensions**

Rated Capacity	A	B	D	E	F	G	H	J	K	L	M	N	P	Q	R
50,000 to 65,000	10.25	5.12	1.00	0.75	0.78	2.40	5.13	8.50	1.00	2.06	1/2-14 NPT	1.50	3.00	1.03	2.20
100,000	10.25	5.12	1.00	—	—	2.40	5.13	8.50	1.00	2.06	1/2-14 NPT	1.50	3.00	1.03	2.20



**Interchangeable Products**

RICE LAKE WEIGHING SYSTEMS  
**RL75223** ..... page 153  
 THURMAN®  
**TSC 800**

**Weigh Module Available**

RICE LAKE WEIGHING SYSTEMS  
**Translink™** ..... page 87

**Specifications**

**Full Scale Output:**

3.0 mV/V

**Output Resistance:**

700 (± 7) ohm

**Input Resistance:**

700 (± 7) ohm

**Material/Finish:**

High-alloy steel, nickel plated

**Temperature:**

Compensated range

14 °F to 104 °F (-10 °C to 40 °C)

Operating range

0 °F to 150 °F (-18 °C to 65 °C)

**Seal Type:**

Welded-seal, IP67

**Safe Overload:**

150% full scale

**Safe Sideload:**

100% full scale

**Rated Excitation:**

5 to 10 VDC (20 V maximum)

**Combined Error:**

0.025% full scale

**Non-repeatability:**

0.01% full scale

**Insulation Resistance:**

5,000 megohm

**Deflection at Capacity:**

50,000 lb: 0.018 in

65,000 lb: 0.022 in

100,000 lb: 0.034 in

**Cable Length:**

40 ft

**Cable Diameter:**

0.295 in

Polyurethane jacket

**Cable Color Code:**

Red +Excitation

Black -Excitation

Green +Signal

White -Signal

**Warranty:**

One-year limited

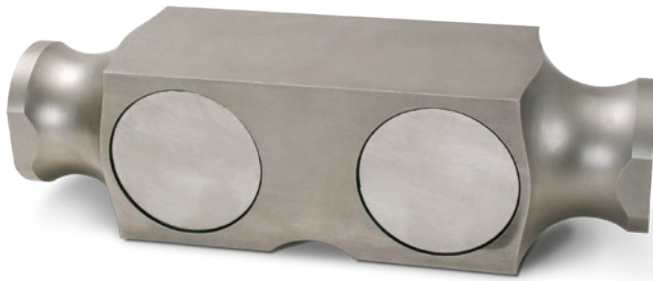
**Approvals:**

cFMus

NTEP

# 9223

Stainless Steel, Environmentally Sealed, NTEP Certified 1:10,000 Class IIIIL Multiple Cell, IP67



Picture is a representation of actual product

### Approvals

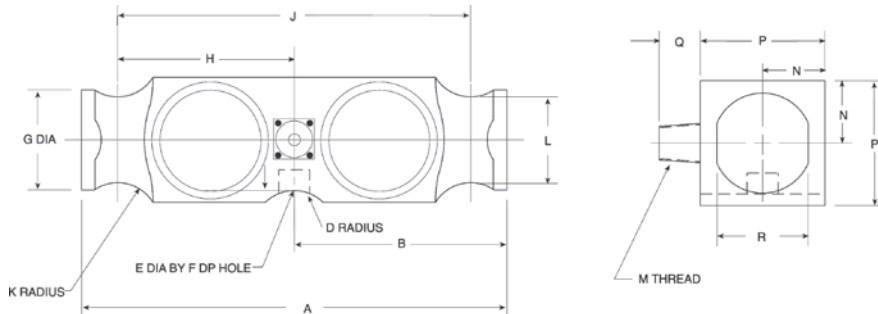


### Order Information

Load Rating	Part #	Est. Weight	Price
50,000 lb	84150	22 lb	\$1,055.00
65,000 lb	84151	22 lb	\$1,055.00
100,000 lb	84152	22 lb	\$1,394.00
125,000 lb	84153	22 lb	\$1,394.00

### Dimensions

Rated Capacity	A	B	D	E	F	G	H	J	K	L	M	N	P	Q	R
lb/in															
50,000 to 125,000	10.25	5.12	1.00	0.75	0.78	2.40	5.13	8.50	1.00	2.06	1/2-14 NPT	1.50	2.94	1.03	2.20



### Weigh Module Available

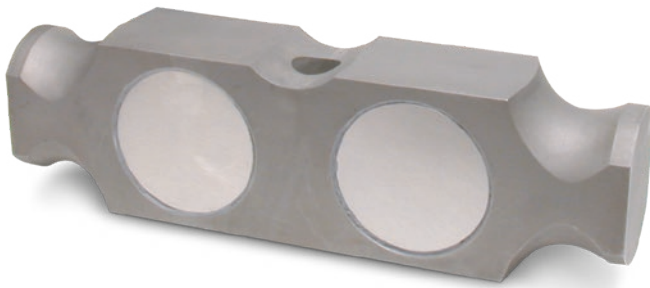
RICE LAKE WEIGHING SYSTEMS

Translink™ .....page 87

### Specifications

- Full Scale Output:**  
3.0 mV/V
- Output Resistance:**  
700 (± 7) ohm
- Input Resistance:**  
700 (± 7) ohm
- Material/Finish:**  
Stainless steel
- Temperature:**  
Compensated range  
14 °F to 104 °F (-10 °C to 40 °C)  
Operating range  
0 °F to 150 °F (-18 °C to 65 °C)
- Seal Type:**  
Environmentally sealed, IP67
- Safe Overload:**  
150% full scale
- Safe Sideload:**  
100% full scale
- Rated Excitation:**  
5 to 10 VDC (20 V maximum)
- Non-repeatability:**  
0.01% full scale
- Combined Error:**  
0.02% full scale
- Insulation Resistance:**  
5,000 megohm
- Deflection at Capacity:**  
50,000 lb: 0.018 in  
65,000 lb: 0.022 in  
100,000 lb: 0.034 in
- Cable Length:**  
40 ft
- Cable Diameter:**  
0.295 in  
Polyurethane jacket
- Cable Color Code:**  
Red +Excitation  
Black -Excitation  
Green +Signal  
White -Signal
- Warranty:**  
One-year limited
- Approvals:**  
cFMus  
NTEP

VPG REVERE



Picture is a representation of actual product

Approvals

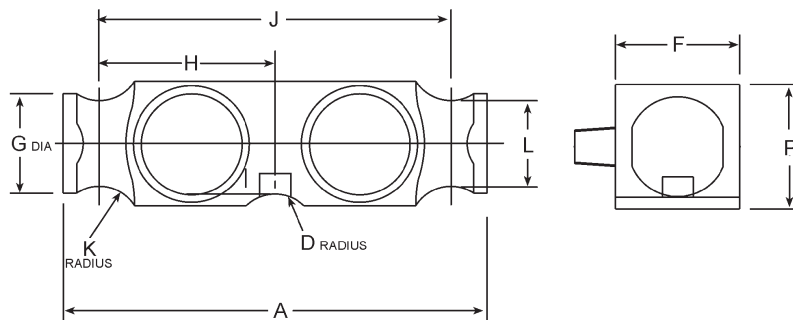


Order Information

Load Rating	Part #	Est. Weight	Price
50,000 lb	69489	17 lb	\$1,000.00
65,000 lb	69490	17 lb	\$1,000.00
100,000 lb	124390	17 lb	\$1,000.00

Dimensions

Rated Capacity	A	D	F	G	H	J	K	L	P
lb/in									
50,000 to 100,000	10.25	1.00	1.94	2.40	4.25	8.50	1.00	2.06	2.94



Interchangeable Products

NV TECHNOLOGY®  
**BLC-2-XX-N**  
 THURMAN®  
**10088970A-50K**

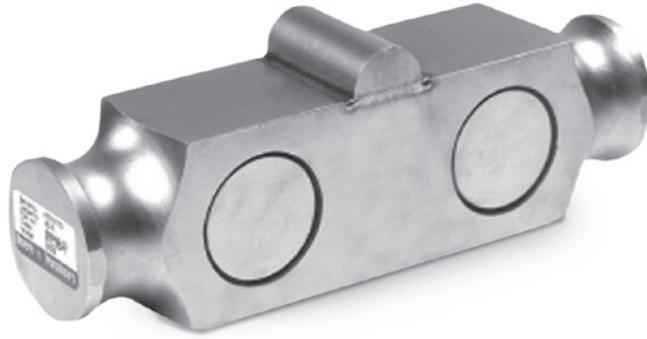
Specifications

- Full Scale Output:**  
3.0 mV/V
- Output Resistance:**  
700 (± 3.5) ohm
- Input Resistance:**  
700 (± 3.5) ohm
- Material/Finish:**  
Stainless steel
- Temperature:**  
Compensated range  
14 °F to 104 °F (-10 °C to 40 °C)  
Operating range  
0 °F to 150 °F (-18 °C to 65 °C)
- Seal Type:**  
Environmentally sealed, IP67
- Safe Overload:**  
150% full scale
- Safe Sideload:**  
100% full scale
- Rated Excitation:**  
5 to 10 VDC (15 V maximum)
- Non-repeatability:**  
0.01% full scale
- Combined Error:**  
0.02% full scale
- Insulation Resistance:**  
5,000 megohm
- Cable Length:**  
30 ft
- Cable Diameter:**  
0.295 in  
Polyurethane jacket
- Cable Color Code:**  
Red +Excitation  
Black -Excitation  
Green +Signal  
White -Signal
- Warranty:**  
One-year limited
- Approvals:**  
cFMus  
NTEP



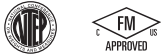
# 9323

Stainless Steel, Environmentally Sealed, NTEP Certified 1:10,000 Class IIIIL Multiple Cell, IP67



Picture is a representation of actual product

### Approvals

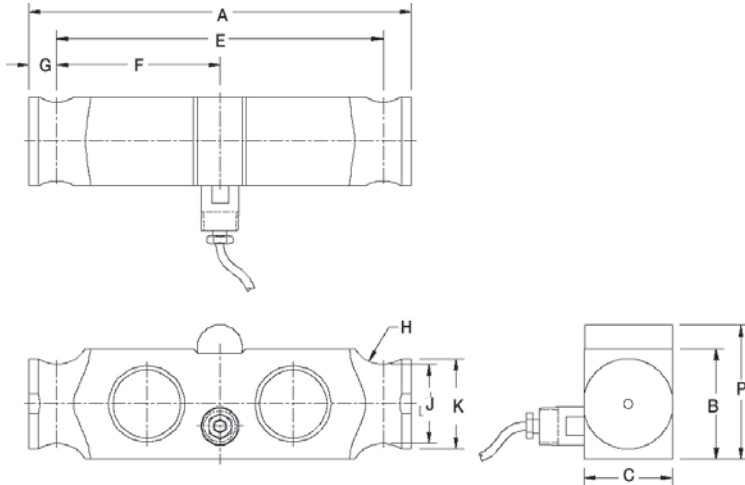


### Order Information

Load Rating	Part #	Est. Weight	Price
50,000 lb	84156	13 lb	\$885.00
60,000 lb	84157	13 lb	\$885.00

### Dimensions

Rated Capacity	A	B	C	E	F	G	H	J	K	P
lb/in										
50,000 to 60,000	8.50	2.45	1.95	7.25	3.63	0.63	0.75	1.75	2.00	3.00

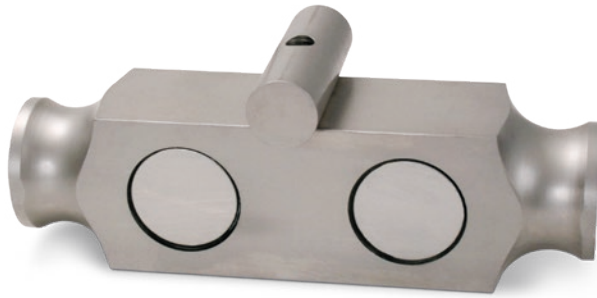


### Interchangeable Products

NV TECHNOLOGY®  
BLC-1-N-WP

### Specifications

- Full Scale Output:**  
3.0 mV/V
- Output Resistance:**  
700 (± 7) ohm
- Input Resistance:**  
700 (± 7) ohm
- Material/Finish:**  
Stainless steel
- Temperature:**  
Compensated range  
14 °F to 104 °F (-10 °C to 40 °C)  
Operating range  
0 °F to 150 °F (-18 °C to 65 °C)
- Seal Type:**  
Environmentally sealed, IP67
- Safe Overload:**  
150% full scale
- Safe Sideload:**  
100% full scale
- Rated Excitation:**  
5 to 10 VDC (15 V maximum)
- Non-repeatability:**  
0.01% full scale
- Combined Error:**  
0.02% full scale
- Insulation Resistance:**  
5,000 megohm
- Cable Length:**  
30 ft
- Cable Diameter:**  
0.295 in polyurethane jacket
- Cable Color Code:**  
Red –Excitation  
Black –Excitation  
Green +Signal  
White –Signal
- Warranty:**  
One-year limited
- Approvals:**  
cFMus  
NTEP



Picture is a representation of actual product

Approvals

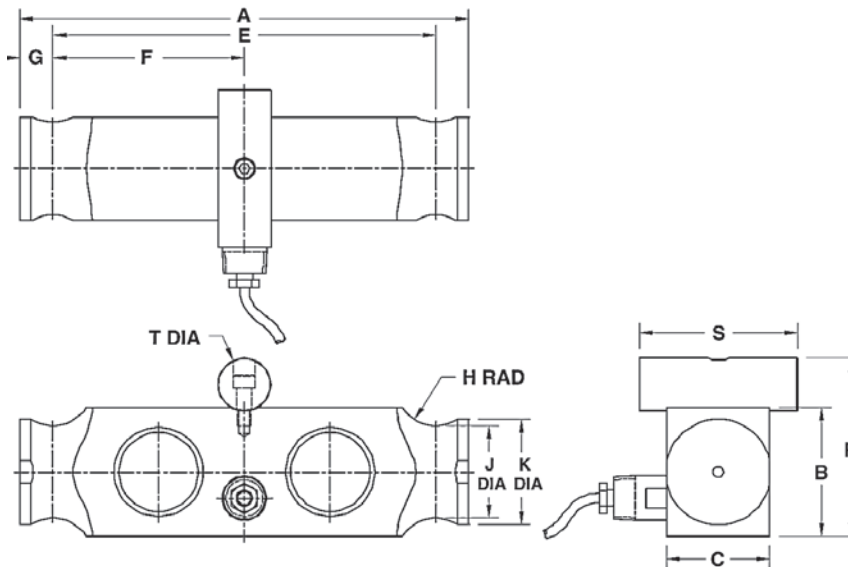


Order Information

Load Rating	Part #	Est. Weight	Price
50,000 lb	79711	14 lb	\$1,007.00
60,000 lb	79712	14 lb	\$1,055.00

Dimensions

Rated Capacity	A	B	C	E	F	G	H	J	K	R	S	T
lb/in												
50,000 to 60,000	8.50	2.45	1.95	7.25	3.62	0.63	0.75	1.75	2.00	3.38	3.00	1.00



Interchangeable Products

NV TECHNOLOGY®  
BLC-1-N

Specifications

**Full Scale Output:**  
3.0 mV/V

**Output Resistance:**  
700 (± 7) ohm

**Input Resistance:**  
700 (± 7) ohm

**Material/Finish:**  
Stainless steel

**Temperature:**  
Compensated range  
14 °F to 104 °F (-10 °C to 40 °C)  
Operating range  
0 °F to 150 °F (-18 °C to 65 °C)

**Seal Type:**  
Environmentally sealed, IP67

**Safe Overload:**  
150% full scale

**Safe Sideload:**  
100% full scale

**Rated Excitation:**  
5 to 10 VDC (15 V maximum)

**Non-repeatability:**  
0.01% full scale

**Combined Error:**  
0.02% full scale

**Insulation Resistance:**  
5,000 megohm

**Cable Length:**  
30 ft

**Cable Diameter:**  
0.295 in  
Polyurethane jacket

**Cable Color Code:**  
Red +Excitation  
Black -Excitation  
Green +Signal  
White -Signal

**Warranty:**  
One-year limited

**Approvals:**  
cFMus  
NTEP



Picture is a representation of actual product

### Approvals



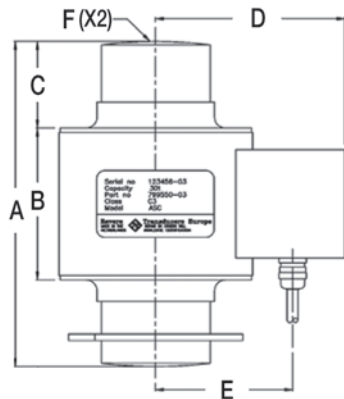
Available upon request

### Order Information

Load Rating	Part #	Est. Weight	Price
<b>OIML</b>			
30 T	151312	5 lb	\$736.00
40 T	151313	5 lb	\$736.00
50 T	151314	5 lb	\$736.00
<b>Options</b>			
Load Cup Set (Upper and Lower)	160452	6 lb	\$100.00

### Dimensions

Rated Capacity	A	B	C	D	E	F
T/mm						
30 to 50	150	70	40	87	69	R200



### Specifications

- Full Scale Output:**  
2.00 (± 0.02) mV/V
- Output Resistance:**  
700 (± 7) ohm
- Input Resistance:**  
700 (± 35) ohm
- Material/Finish:**  
Stainless steel
- Temperature:**  
Operating range  
0 °F to 150 °F (-18 °C to 65 °C)
- Seal Type:**  
Hermetically sealed, IP68
- Safe Overload:**  
150% full scale
- Rated Excitation:**  
5 to 20 VDC
- Combined Error:**  
0.02% full scale
- Insulation Resistance:**  
5,000 megohm
- Cable Length:**  
15 m
- Cable Diameter:**  
0.295 in polyurethane jacket
- Cable Color Code:**  
Green +Excitation  
Black -Excitation  
White +Signal  
Red -Signal
- Warranty:**  
One-year limited
- Approvals:**  
cFMus  
OIML  
Ex (available upon request)





Picture is a representation of actual product

**Approvals**



**Order Information: NTEP Certified**

Load Rating	Part #	Est. Weight	Price
<b>NTEP Certified</b>			
0.5T	36190	2 lb	\$689.00
1T	36191	2 lb	\$689.00
2T	36192	3 lb	\$742.00
3.5T	36193	3 lb	\$742.00
5T	36194	3 lb	\$742.00
10T	177263	6 lb	\$742.00
<b>OIML</b>			
0.25T	126714	2 lb	\$689.00
0.5T	126715	2 lb	\$689.00
1T	126716	2 lb	\$742.00
2T	126717	3 lb	\$742.00
3.5T	126718	3 lb	\$742.00
5T	126719	3 lb	\$742.00
10T	177262	3 lb	\$742.00

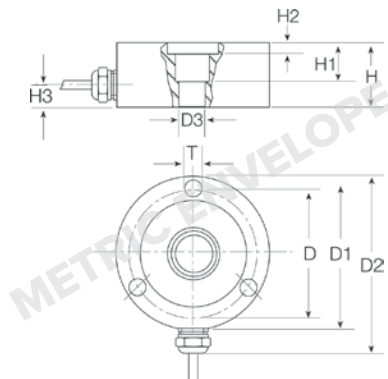
**Replacement Rocker Pin Set\***

Load Rating (Per Module)	Part #	Price
250 kg to 1T	170875	\$132.00
2T to 5T	170876	\$132.00
10T	170877	\$132.00

\*Kit includes upper cup, rocker pin and grease

**Dimensions**

Rated Capacity	D	D1	D2	D3	H	H1	H2	H3	T
<b>T/in</b>									
0.25 to 1	2.76	3.15	3.84	0.40	0.99	0.60	0.04	0.37	M6 (3 x 120°)
2 to 5	2.76	3.15	3.84	0.60	1.18	0.79	0.24	0.33	M6 (3 x 120°)
10	3.26	3.74	4.42	0.98	1.37	0.58	-	0.39	M6 (3 x 120°)



**Weigh Module Available**

RICE LAKE WEIGHING SYSTEMS  
**RLC**..... page 65

**Specifications**

- Full Scale Output:**  
2.0 mV/V
- Output Resistance:**  
1,025 (± 25) ohm
- Input Resistance:**  
1,110 (± 50) ohm
- Material/Finish:**  
Stainless steel
- Temperature:**  
Compensated range  
14 °F to 104 °F (-10 °C to 40 °C)  
Operating range  
0 °F to 150 °F (-18 °C to 65 °C)
- Seal Type:**  
Hermetically sealed, IP66/68
- Safe Overload:**  
150% full scale
- Safe Sideload:**  
100% full scale
- Rated Excitation:**  
5 to 10 VDC (15 V maximum)
- Combined Error:**  
0.02% full scale
- Insulation Resistance:**  
5,000 megohm
- Cable Length:**  
5 m
- Cable Color Code:**  
Pink +Excitation  
Grey -Excitation  
Brown +Signal  
White -Signal
- Warranty:**  
One-year limited
- Approvals:**  
FM  
OIML  
NTEP





Picture is a representation of actual product

**Approvals**

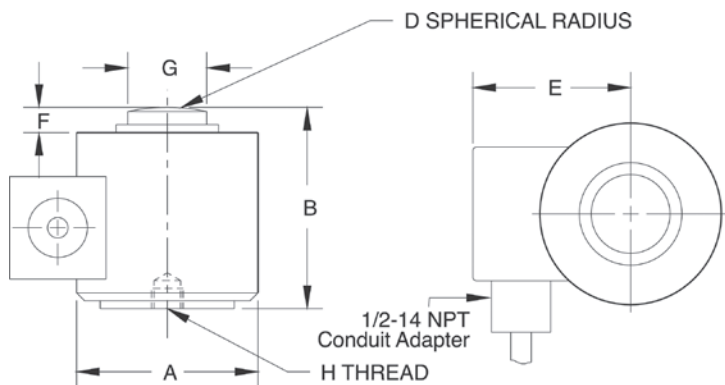


**Order Information**

Load Rating	Part #	Est. Weight	Price
10,000 lb	17588	8 lb	\$1,425.00
25,000 lb	17589	8 lb	\$1,425.00
50,000 lb	17590	8 lb	\$1,425.00
100,000 lb	17591	16 lb	\$1,575.00
200,000 lb	17592	40 lb	\$2,432.00
300,000 lb	17593	40 lb	\$2,676.00
500,000 lb	17594	53 lb	\$4,765.00

**Dimensions**

Rated Capacity	A	B	D	E	F	G	H	DEPTH of H
10,000 to 50,000	2.48	3.25	6.00	3.30	0.40	1.25	1/2-20 UNF	0.31
100,000	4.12	5.00	6.00	3.50	0.51	2.31	3/4-16 UNF	0.56
200,000 to 300,000	6.00	7.25	17.00	4.60	1.04	3.13	3/4-16 UNF	0.75
500,000	6.50	9.00	17.00	4.80	0.56	3.69	3/4-16 UNF	0.75



**Interchangeable Products**

- VPG® REVERE
- 392B**
- ARTECH®
- 90210**
- CARDINAL®
- CP1**
- HOWE RICHARDSON®
- 20908XXX**
- STREETER AMET®
- 3753070, 3752030, 3752040, 3751940**

**Weigh Module Available**

RICE LAKE WEIGHING SYSTEMS  
**MagnaMount®** ..... page 89

**Specifications**

- Full Scale Output:**  
1.75 mV/V
- Output Resistance:**  
480 (± 4.8) ohm
- Input Resistance:**  
450 (± 4.5) ohm
- Material/Finish:**  
Stainless steel
- Temperature:**  
Operating range  
0 °F to 150 °F (-18 °C to 65 °C)
- Seal Type:**  
Welded-seal, IP68
- Safe Overload:**  
150% full scale
- Rated Excitation:**  
5 to 10 VDC (15 V maximum)
- Combined Error:**  
0.15% full scale
- Non-repeatability:**  
0.03% full scale
- Insulation Resistance:**  
5,000 megohm
- Deflection at Capacity:**  
10,000 to 50,000 lb: 0.003 in  
100,000 to 300,000 lb: 0.006 in  
500,000 lb: 0.009 in
- Cable Length:**  
30 ft
- Cable Diameter:**  
0.295 in  
Polyurethane jacket
- Cable Color Code:**  
Green +Excitation  
Black -Excitation  
White +Signal  
Red -Signal
- Warranty:**  
One-year limited
- Approvals:**  
cFMus

VPG REVERE



Picture is a representation of actual product

**Approvals**

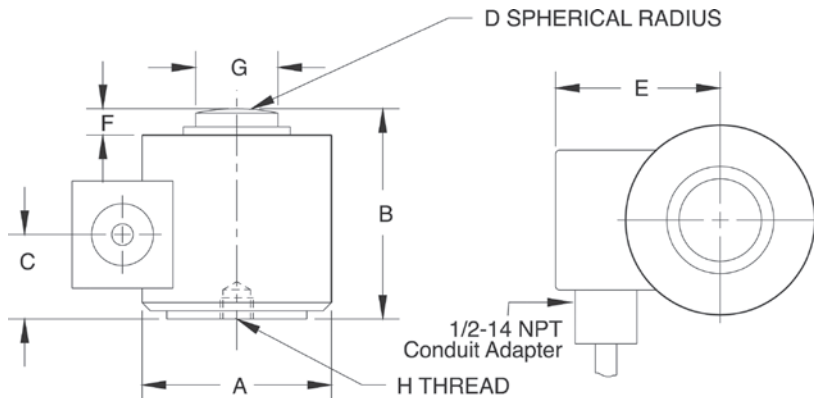


**Order Information**

Load Rating	Part #	Est. Weight	Price
<b>NTEP Certified, 30 ft Cable</b>			
25,000 lb	21649	7 lb	\$1,700.00
50,000 lb	21650	7 lb	\$1,700.00
100,000 lb	21651	15 lb	\$1,892.00
200,000 lb	21652	36 lb	\$2,538.00
<b>NTEP Certified, 60 ft Cable</b>			
200,000 lb	188769	40 lb	\$2,645.00
<b>Non-NTEP Certified, 30 ft Cable</b>			
10,000 lb	17595	6 lb	\$1,611.00
300,000 lb	17597	40 lb	\$2,645.00
500,000 lb	17598	40 lb	\$4,966.00
<b>OIML, 60 ft Cable</b>			
60T	194528	15 lb	\$1,892.00

**Dimensions**

Rated Capacity	A	B	C	D	E	F	G	H	DEPTH of H
lb/in									
10,000 to 50,000	2.88	3.25	1.28	6.00	2.51	0.40	1.25	1/2-20 UNF	0.38
100,000	4.12	5.00	2.15	6.00	3.39	0.51	2.31	3/4-16 UNF	0.56
200,000 to 300,000	6.00	7.25	3.63	17.00	4.26	1.04	3.13	3/4-16 UNF	0.75
500,000	6.50	9.00	4.34	17.00	4.59	0.56	3.69	3/4-16 UNF	0.75



**Interchangeable Products**

- RICE LAKE WEIGHING SYSTEMS
- RLCSP1\*** .....page 156
- VPG® REVERE
- 692B\***
- ARTECH
- 90310\***
- HOWE RICHARDSON®
- 244699-000X\***
- STREETER AMET3760XXX

\* Load cell diameter may not be identical

**Weigh Module Available**

- RICE LAKE WEIGHING SYSTEMS
- MagnaMount®** .....page 89

**Specifications**

- Full Scale Output:**  
2 mV/V
- Output Resistance:**  
480 (± 4.8) ohm
- Input Resistance:**  
450 (± 4.5) ohm
- Material/Finish:**  
Stainless steel
- Temperature:**  
Compensated range  
14 °F to 104 °F (-10 °C to 40 °C)  
Operating range  
0 °F to 150 °F (-18 °C to 65 °C)
- Seal Type:**  
Welded-seal, IP68
- Safe Overload:**  
150% full scale
- Rated Excitation:**  
5 to 10 VDC (15 V maximum)
- Combined Error:**  
0.02% full scale (0.05% Non-NTEP Certified)
- Non-repeatability:**  
0.01% full scale
- Insulation Resistance:**  
5,000 megohm
- Deflection at Capacity:**  
10,000 to 50,000 lb: 0.003 in  
100,000 to 300,000 lb: 0.006 in  
500,000 lb: 0.009 in
- Cable Length:**  
30 ft  
60 ft
- Cable Diameter:**  
0.295 in  
Polyurethane jacket
- Cable Color Code:**  
Green +Excitation  
Black -Excitation  
White +Signal  
Red -Signal
- Warranty:**  
One-year limited
- Approvals:**  
cFMus  
NTEP  
OIML

**VPG REVERE**



Picture is a representation of actual product

**Approvals**

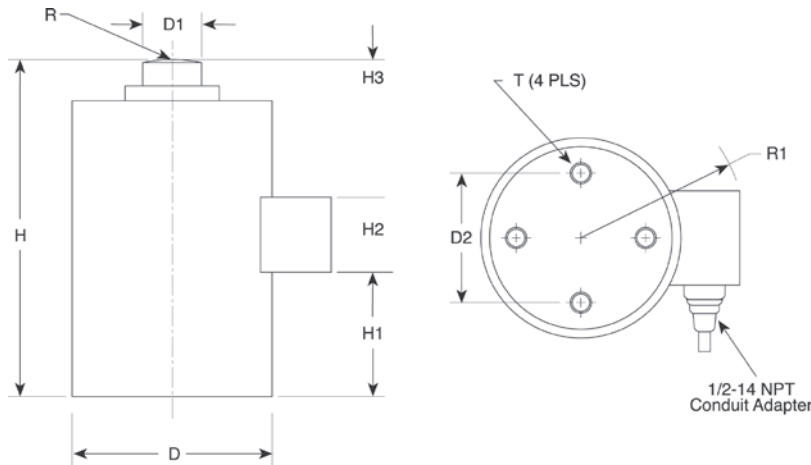


**Order Information**

Load Rating	Part #	Est. Weight	Price
50,000 lb	31307	19 lb	\$2,326.00
100,000 lb	31306	35 lb	\$2,326.00
200,000 lb	31305	74 lb	\$3,598.00

**Dimensions**

Rated Capacity	D	D1	D2	H	H1	H2	H3	R	R1	T
lb/in										
50,000	4.50	1.25	2.38	7.50	3.06	1.60	0.75	6.00	3.75	3/8-24 UNF x .63 DP
100,000	5.75	1.75	4.00	9.13	2.60	1.60	1.05	12.00	4.05	1/2-20 UNF x .75 DP
200,000	7.50	2.50	5.50	11.63	3.95	1.60	0.97	12.00	5.11	5/8-18 UNF x 1.00 DP



**Interchangeable Products**

RICE LAKE WEIGHING SYSTEMS  
**RL8C2P1SST** ..... page 157  
 ARTECH®  
**90405**

**Specifications**

- Full Scale Output:**  
2.0 mV/V
- Output Resistance:**  
350 (± 3.5) ohm
- Input Resistance:**  
350 (± 3.5) ohm
- Material/Finish:**  
Stainless steel
- Temperature:**  
Compensated range  
14 °F to 104 °F (-10 °C to 40 °C)  
Operating range  
0 °F to 150 °F (-18 °C to 65 °C)
- Seal Type:**  
Welded-seal, IP68
- Safe Overload:**  
150% full scale
- Rated Excitation:**  
5 to 10 VDC (15 V maximum)
- Non-repeatability:**  
0.01% full scale
- Combined Error:**  
0.03% full scale
- Insulation Resistance:**  
5,000 megohm
- Deflection at Capacity:**  
50,000 lb: 0.004 in  
100,000 lb: 0.006 in  
200,000 lb: 0.009 in
- Cable Length:**  
35 ft
- Cable Diameter:**  
0.295 in  
Polyurethane jacket
- Cable Color Code:**  
Green +Excitation  
Black -Excitation  
White +Signal  
Red -Signal
- Warranty:**  
One-year limited
- Approvals:**  
cFMus  
NTEP



Picture is a representation of actual product

**Approvals**

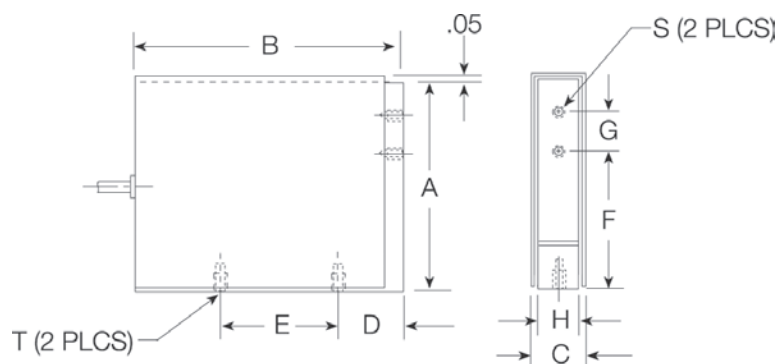


**Order Information**

Load Rating	Part #	Est. Weight	Price
2 lb	17442	3 lb	\$630.00
5 lb	17443	3 lb	\$630.00
10 lb	17444	3 lb	\$630.00
20 lb	17445	3 lb	\$630.00
50 lb	17446	5 lb	\$662.00
100 lb	17447	5 lb	\$662.00
250 lb	17448	5 lb	\$683.00

**Dimensions**

Rated Capacity	A	B	C	D	E	F	G	H	T	S
lb/in										
2 to 20	4.00	5.13	0.91	1.25	2.20	2.60	0.75	0.75	1/4-28 UNF x .38 DP	10-32 UNF x .25 DP
50 to 100	4.60	6.00	1.16	1.90	2.20	2.60	1.00	1.00	3/8-24 UNF x .50 DP	1/4-28 UNF x .50 DP
250	4.60	6.00	1.16	1.90	2.20	2.35	1.50	1.00	3/8-24 UNF x .50 DP	3/8-24 UNF x .50 DP



**Specifications**

- Full Scale Output:**  
2.0 mV/V
- Output Resistance:**  
350 (± 3.5) ohm
- Input Resistance:**  
390 (± 15) ohm
- Material/Finish:**  
Alloy steel with stainless steel cover
- Temperature:**  
Operating range  
0 °F to 150 °F (-18 °C to 65 °C)
- Seal Type:**  
Environmentally sealed, IP67
- Safe Overload:**  
150% full scale
- Rated Excitation:**  
5 to 10 VDC nominal (15 V maximum)
- Combined Error:**  
0.03% full scale
- Non-repeatability:**  
0.01% full scale
- Insulation Resistance:**  
5,000 megohm
- Deflection at Capacity:**  
2 to 20 lb: 0.06 in  
50 to 250 lb: 0.04 in
- Cable Length:**  
10 ft
- Cable Color Code:**  
Red +Excitation  
Black -Excitation  
Green +Signal  
White -Signal
- Warranty:**  
One-year limited
- Approvals:**  
cFMus

**VPG REVERE**



Picture is a representation of actual product

### Approvals

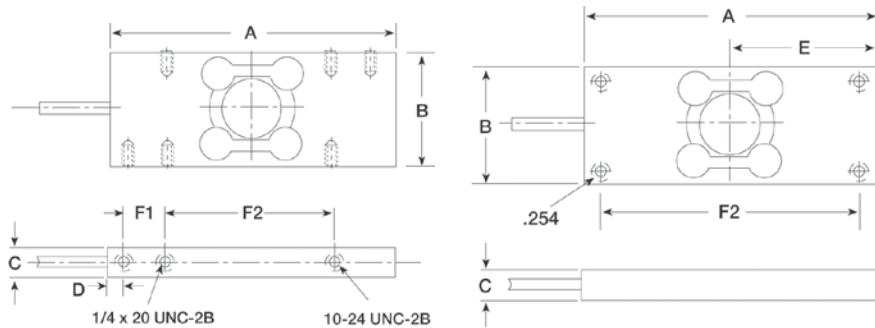


### Order Information

Load Rating	Part #	Est. Weight	Price
6 kg	<b>22335</b>	2 lb	\$652.00
6 kg	<b>116475</b>	2 lb	\$652.00
25 lb	<b>17406</b>	2 lb	\$652.00
50 lb	<b>17407</b>	2 lb	\$652.00
100 lb	<b>17408</b>	2 lb	\$826.00

### Dimensions

Rated Capacity	A	B	C	D	E	F1	F2
kg or lb/mm							
6kg	127.0	50.2	18.5	—	63.5	—	107.9
25 to 50 lb	127.0	50.2	18.5	6.3	—	19.0	76.2
100 lb	127.0	46.2	23.8	6.3	—	19.0	76.2



HPS 6 kg - 100 lbs  
(PN 22335, 17406, 17407, 17408)

HPS (6 KGS)  
(PN 116475)

### Specifications

- Full Scale Output:**  
25 to 100 lb: 3.0 mV/V  
6 kg: 2.0 mV/V
- Output Resistance:**  
350 (± 7) ohm
- Input Resistance:**  
400 (± 6) ohm
- Material/Finish:**  
Stainless steel
- Temperature:**  
Operating range  
0 °F to 150 °F (-18 °C to 65 °C)
- Seal Type:**  
Welded-seal, IP67
- Safe Overload:**  
150% full scale
- Rated Excitation:**  
5 to 10 VAC (15 V maximum)
- Combined Error:**  
0.03% full scale
- Non-repeatability:**  
0.01% full scale
- Insulation Resistance:**  
5,000 megohm
- Cable Length:**  
10 ft
- Cable Color Code:**  
Green +Excitation  
Black -Excitation  
White +Signal  
Red -Signal
- Warranty:**  
One-year limited
- Approvals:**  
cFMus



Picture is a representation of actual product

### Approvals

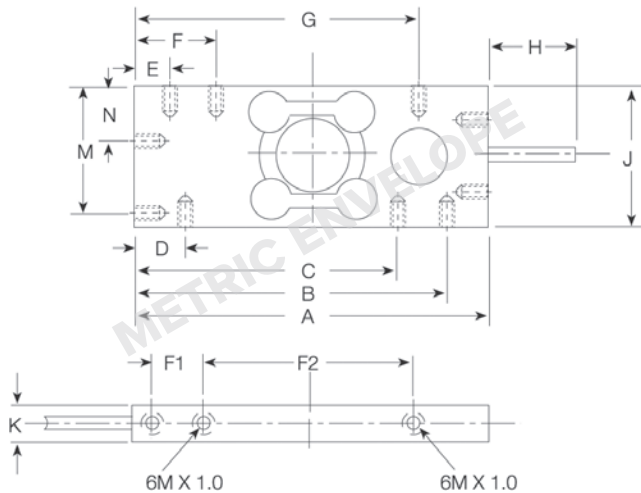


### Order Information

Load Rating	Part #	Est. Weight	Price
6 kg	22334	2 lb	\$652.00
12 kg	109131	2 lb	\$652.00
30 kg	115336	2 lb	\$736.00

### Dimensions

Rated Capacity	A	B	C	D	E	F	F1	F2	G	H	J	K	M	N
kg/mm														
6 to 30	130	117	98	23	14	33	19	75	108	25	50	19	44	20



### Specifications

- Full Scale Output:**  
2.0 mV/V
- Output Resistance:**  
350 (± 3.5) ohm
- Input Resistance:**  
350 (± 3.5) ohm
- Material/Finish:**  
Stainless steel
- Temperature:**  
Operating range  
0 °F to 150 °F (-18 °C to 65 °C)
- Seal Type:**  
Welded-seal, IP67
- Safe Overload:**  
150% full scale
- Rated Excitation:**  
5 to 10 VDC (15 V maximum)
- Combined Error:**  
0.03% full scale
- Non-repeatability:**  
0.01% full scale
- Insulation Resistance:**  
5,000 megohm
- Cable Length:**  
20 ft
- Cable Color Code:**  
Green +Excitation  
Black -Excitation  
White +Signal  
Red -Signal
- Warranty:**  
One-year limited
- Approvals:**  
cFMus

# AX3040

Alloy Steel, Environmentally Sealed, IP66



Picture is a representation of actual product

## Specifications

- Output:**  
0.5 mV/V at 12,500 lb
- Output Resistance:**  
350 ohm (nominal)
- Input Resistance:**  
350 ohm (nominal)
- Material/Finish:**  
Alloy steel
- Temperature:**  
Operating range  
0 °F to 150 °F (-18 °C to 65 °C)
- Seal Type:**  
Environmentally sealed, IP66
- Manufacturer Model Number:**  
8300420-10
- Rated Excitation:**  
15 VDC
- Non-linearity:**  
±1.0% full scale
- Insulation Resistance:**  
5,000 megohm at 50 VDC
- Warranty:**  
One-year limited

## Order Information

Load Rating	Part #	Est. Weight	Price
20,000 lb	<b>111766</b>	30 lb	\$1,170.00

## Dimensions

Rated Capacity	A	B	C	D	E	F	G	H
20,000 lb/in	22.60	24.60	19.60	15.00	11.50	2.84	2.38	8.80

