

# 882IS Digital Weight Indicator

## IS6V2 Battery Instructions

The IS6V2 Battery is an FM-Entity Approved battery supply for use in hazardous locations, see specifications below. It is mounted below the 882IS indicator and is removable for charging in the safe area. Install per RLWS Control Drawing 186430.



Manuals and additional resources are available from the Rice Lake Weighing Systems website at [www.ricelake.com](http://www.ricelake.com)

Warranty information can be found on the website at [www.ricelake.com/warranties](http://www.ricelake.com/warranties)

### IMPORTANT

**If modifications are made to the installation procedure, or the instrumentation is changed in any way including field repair or modification, the FM approval is void, and all warranties, expressed, or implied are void. The customer becomes fully responsible and liable for such modifications.**

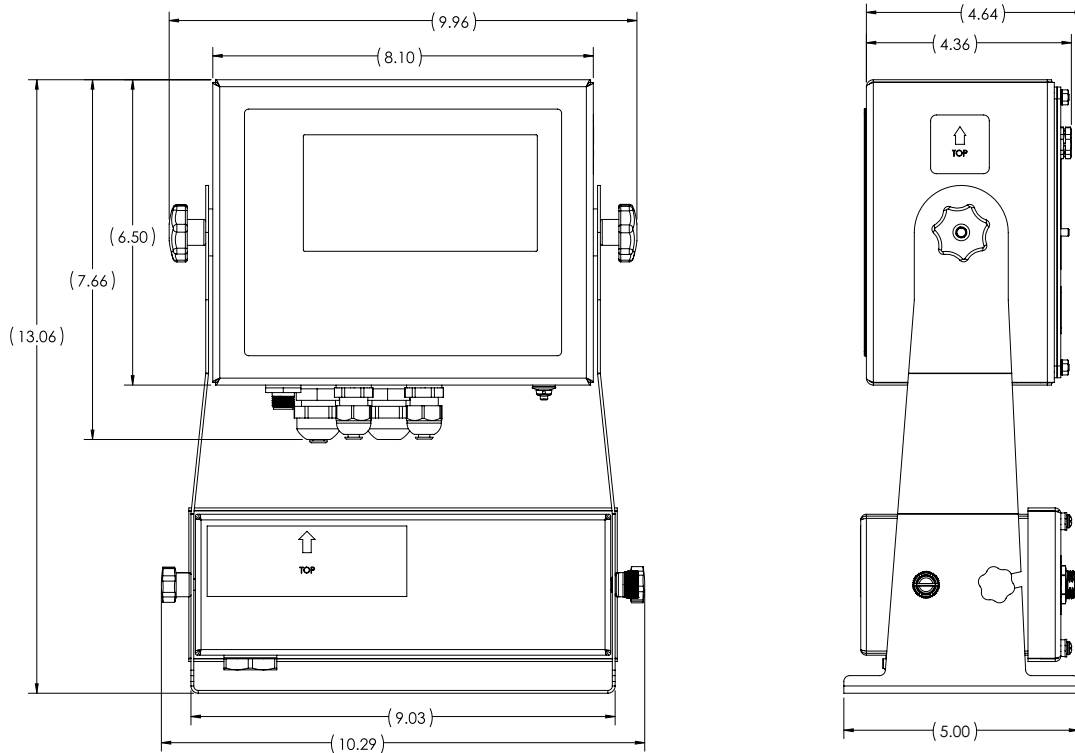


Figure 1. IS6V2 Battery Dimensions (shown in inches)

## Battery Installation in Tilt Stand

### IMPORTANT

**Connections to the battery pack must be made in the non-hazardous area before connecting the cable to the 882IS indicator.**

1. Ensure battery cable and lockout device are attached to the 882IS battery before entering hazardous area, see [Cable Connections and Installation on page 2](#).
2. Thread the tilt stand knobs into the battery, but leave them loose.
3. Slide the battery into the tilt stand with the connector cable on side that rear of indicator is mounted.
4. Secure with the captive screw to mount and tighten up the tilt stand knobs.

## Cable Connections and Installation

The following section contains information on cable connections and installation for the IS6V2 battery to an 882IS indicator.



***Intrinsically safe cables are specified by control drawing. All cables must meet the appropriate internal inductance and capacitance according to the control drawing. Cable lengths are based on group classifications.***

1. Install cordset cable to the battery.
2. Hand tighten the cable connection to the battery using the grooved nut of the M12 connector.
3. Install lockout device onto cordset device by placing it around the cordset end.

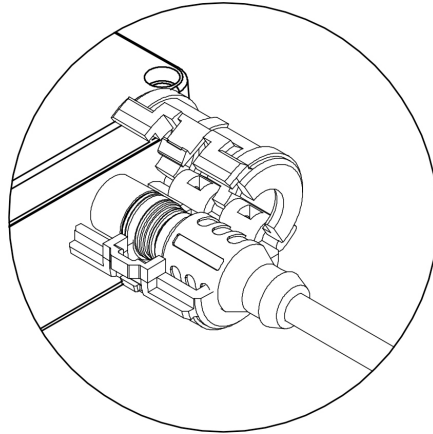


Figure 2. Lockout Device Installation

4. Close until the connector snaps shut.
5. The battery can be brought into the hazardous area for indicator connection.
6. Connect the cable assembly (male) from the indicator to the cable assembly (female) from the battery. Ensure the grooves on each cable assembly are lined up properly with each other.

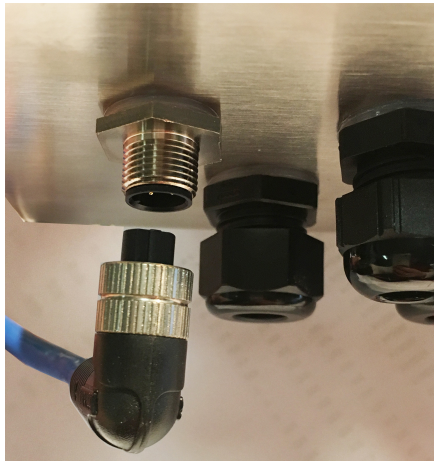



Figure 3. Cable Connection to the 882IS

## Operating Times


 **Note** Batteries are charged at the factory prior to shipping.

All estimated operating times (Table 1) are based on a fully charged battery. A fully charged battery is one that has been charged for a minimum of 12 hours. The battery charger pilot lamp switches from amber color to off when the unit is approximately 40% charged. At that time, the charger switches over to a float charge mode.

 **Note** To keep the battery at full capacity, it is recommended to leave the battery connected to the charger, in float charge mode, until ready to use. The battery can remain on the charger in float charge mode indefinitely without damaging the battery. See IS6V2 Battery Charging Instruction sheet (PN 194893) for instructions on charging the battery.

Load Cell Size	Quantity of Cells	Operating Time
350Ω load cell	1	80 - 95 hours
	4	60 - 80 hours
700Ω load cell	1	85 - 100 hours
	4	70 - 90 hours

Table 1. Estimated Battery Operating Times

 **Note** To preserve battery life, disconnect the battery when not in use. Even if the indicator is turned off, the indicator will still draw a small amount of power while connected.

## IS6V2 Battery Charging

Charging a dead battery takes a minimum of 12 hours.

1. Disconnect battery cable from indicator.
2. Remove battery pack from indicator tilt stand and take to non-hazardous area.
3. Remove the lockout device and battery cable from the battery.

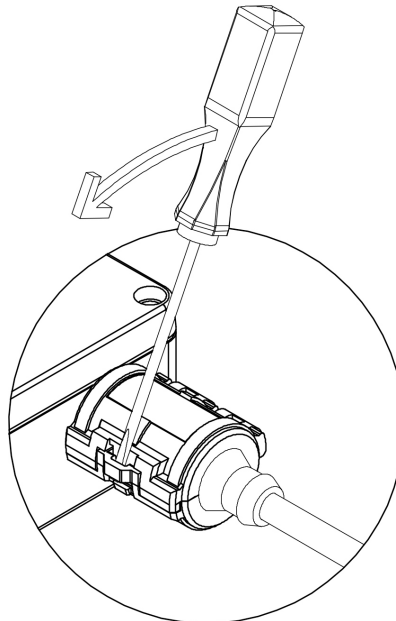


Figure 4. Remove Lockout Device

4. Charge the battery.
5. Lockout device must be re-installed prior to re-entering the hazardous area.

 **CAUTION** Re-charge batteries in a non-hazardous location.

## Specifications

### Power

Maximum Current: 250 mA  
Voltage Output: 6 VDC

### Environmental

Battery

Operating Temp 14°F to 104°F (-10°C to 40°C)

Storage Store battery in a fully charged condition. If battery is to be stored for a long period, apply a recovery top-charge every six months. Store batteries in a dry and cool location.

### Approvals



Class I,II,III, Division 1, Groups ABCDEFG T4

Class I, Zone 0 AEx/Ex ia IIC T4 Ga

Zone 20 AEx/Ex ia IIIC T135°C Da

Ta = -10°C to +40°C

ATEX/IECEX

II 1 G Ex ia IIC T4 Ga

II 1 D Ex ia IIIC T135°C Da



IECEX



© Rice Lake Weighing Systems Specifications subject to change without notice.  
Rice Lake Weighing Systems is an ISO 9001 registered company.

230 W. Coleman St. • Rice Lake, WI 54868 • USA

U.S. 800-472-6703 • Canada/Mexico 800-321-6703 • International 715-234-9171 • Europe +31 (0)26 472 1319