

480, 482, 680 and 682 Digital Weight Indicators

Panel Mount Option

The 480, 482, 680 and 682 Digital Weight Indicators with universal enclosures can be panel mounted with a kit (PN 151099). This document discusses the process of panel mounting the indicators with universal enclosures.



Manuals and additional resources are available from Rice Lake Weighing Systems at www.ricelake.com/manuals

Warranty information can be found on the website at www.ricelake.com/warranties



WARNING: Disconnect power to indicator before installing in panel mount kit.



NOTE: For more information about 480, 482, 680 and 682 indicators, see:

- 480 Legend Series Digital Weight Indicator Technical Manual (PN 119201)
- 482 Legend Series Digital Weight Indicator Technical Manual (PN 165124)
- 680 Synergy Plus Digital Weight Indicator Technical Manual (PN 192627)
- 682 Synergy Plus Digital Weight Indicator Technical Manual (PN 204533)

Parts Breakdown

This section lists parts provided in the panel mount option kit (PN 151099):

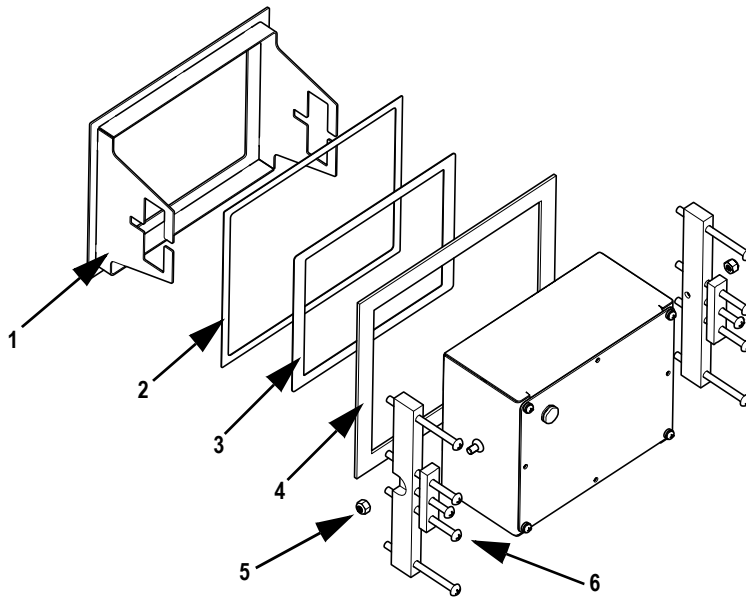


Figure 1. Panel Mount Kit

Item No.	Part No.	Description	Qty
1	158033	Panel Mount Bezel Bracket without gasket	1
2	52946	Gasket, Exterior Panel Mount	1
3	52947	Gasket, Interior Panel Mount	1
4	167433	Reinforcement Plate	1
5	162913	Lock nut, M6 x 1	2
6	166164	Clamp Assembly	2
NS	53412	Cutout Template	1

Table 1. Panel Mount Kit

Bezel Bracket Dimensions

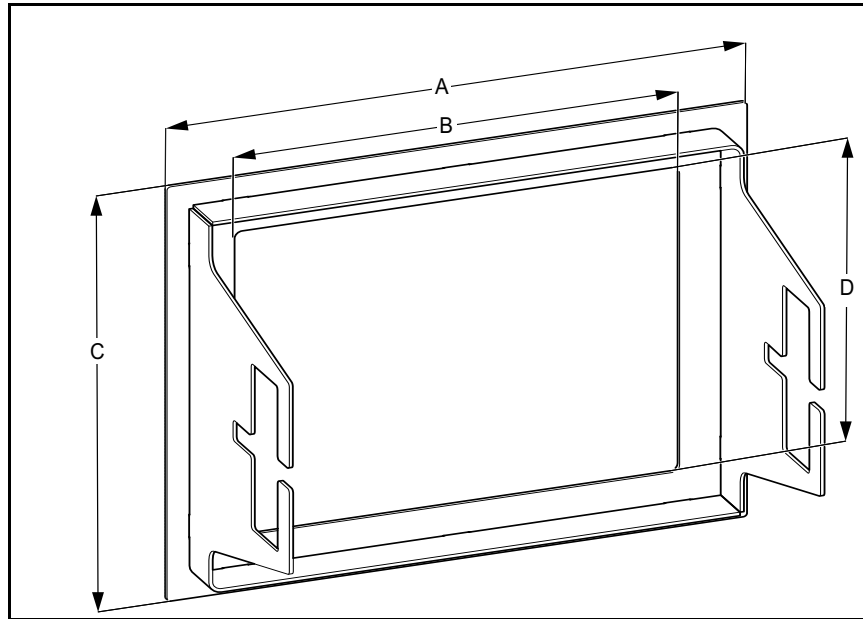


Figure 2. Bezel Bracket Dimension Diagram

A	B	C	D
10.50 in (266.70 mm)	9.59 in (243.58 mm)	7.00 in (177.80 mm)	6.09 in (154.68 mm)

Table 2. Bezel Bracket Dimensions

Installation

Perform the following to install an indicator in the panel mount kit:

1. If attached, remove the tilt stand from the indicator enclosure. For more information on tilt stand removal, see the indicator's technical manual.
2. Place cutout template on required position on panel and carefully trace outside. Ensure cutout will be far enough from panel edge to accommodate bezel dimensions (See [Figure 2](#)) and install clamping assembly.

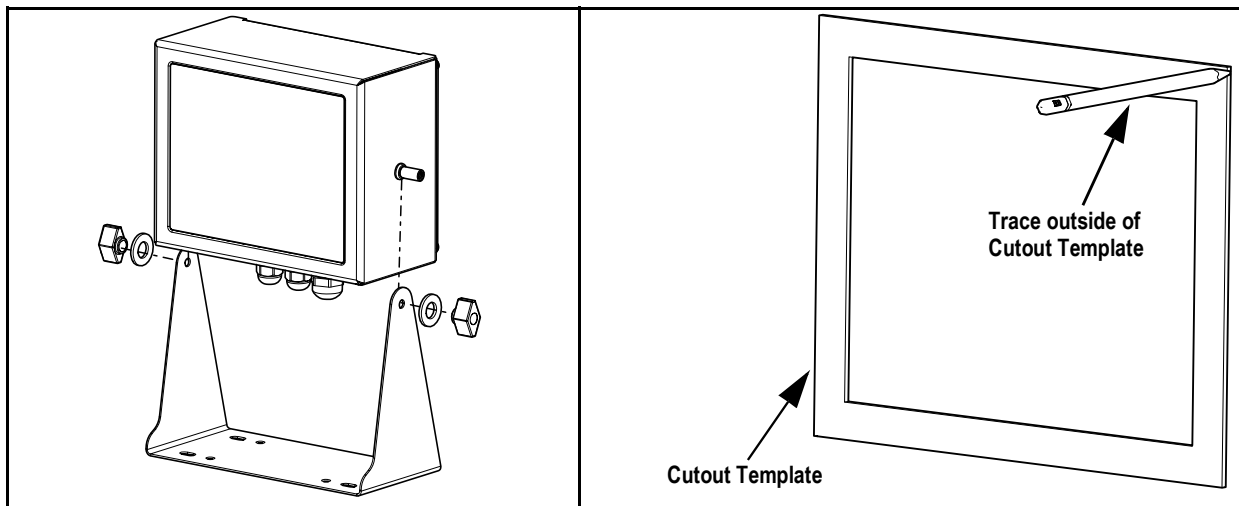


Figure 3. Remove Tilt Stand and Trace Cutout Lines

3. Remove reinforcement plate and retain for later. Cutout traced lines on panel to make a 9.8 in W x 6.3 in H (249 mm W x 160 mm H) opening in the panel.



NOTE: If multiple units are being mounted, ensure the panels are horizontally spaced 14 inches on center.

4. Peel adhesive backing from the bezel gaskets, then press bezel into the panel cutout.
5. Place the reinforcing plate over the bracket from the inside of the panel.

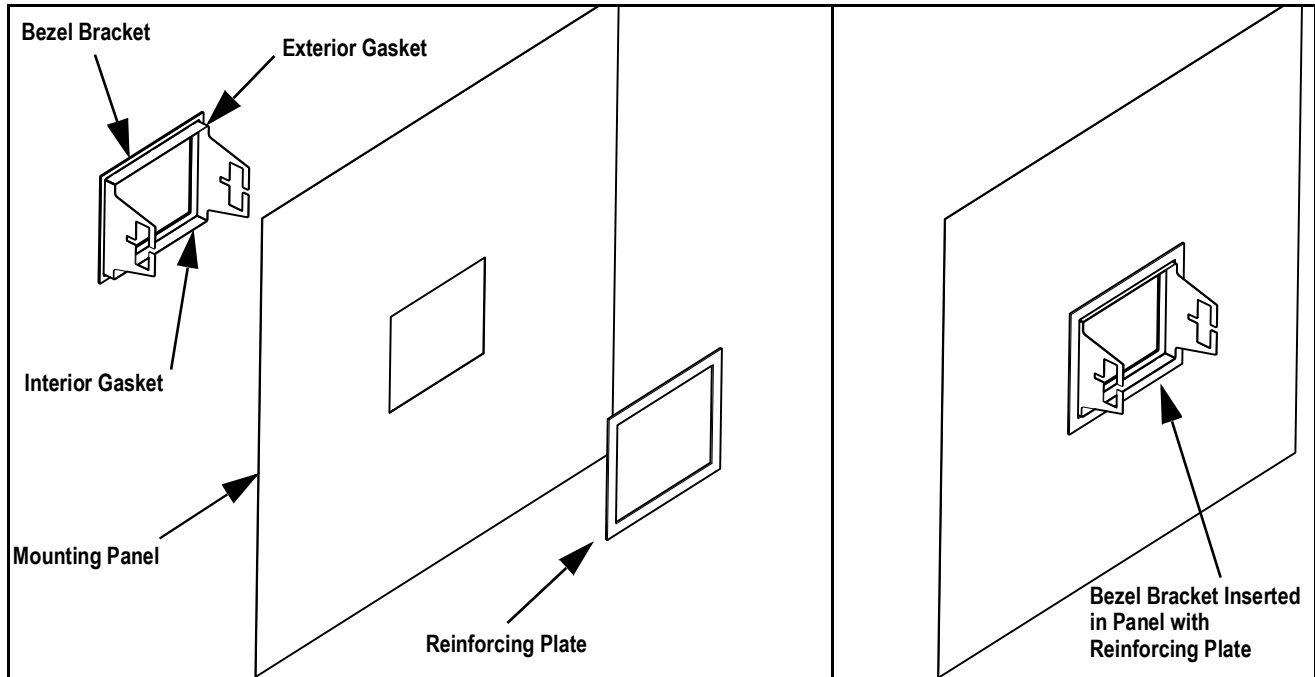


Figure 4. Insert Bezel Bracket

6. Follow the indicator's technical manual to install cabling and back plate of the indicator.
7. Insert the indicator into the panel mount bezel from the inside panel. Align the mounting studs to the slot in the bracket.
8. Place one clamp assembly over the mounting stud.
9. Install one M6 x 1 lock nut on the mounting stud, tighten only until the locking feature is engaged and the nut does not rotate off the stud. The clamp assembly will be able to rotate on the stud.



IMPORTANT: Do not over tighten, this contact must slide when the clamp is applied in Step 10.

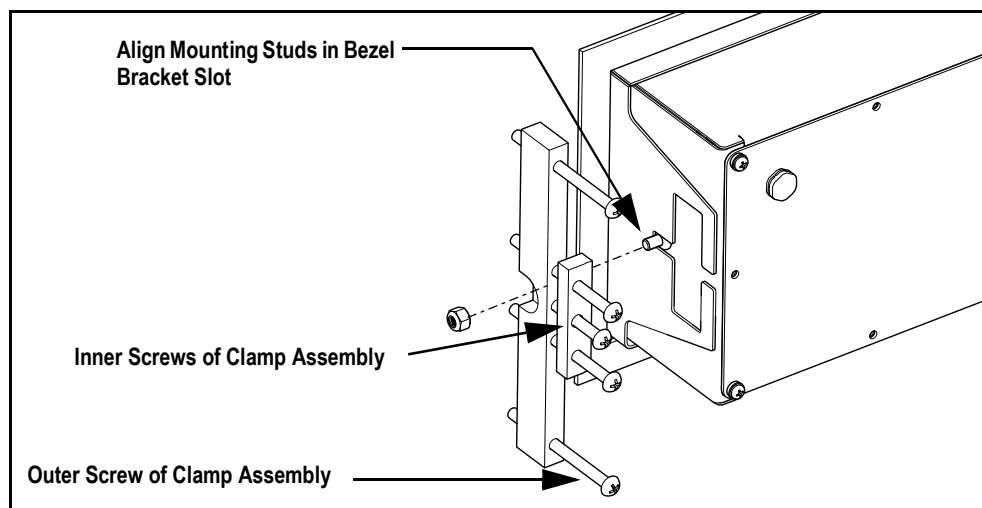


Figure 5. Install Indicator

10. Tighten the inner screws of the clamp assembly (see [Figure 5](#)), engaging the clamp bar in the bezel bracket while the indicator presses tight against the inner bezel gasket.
11. Tighten the outer screws of the clamp assembly until the bezel is held loosely against the panel.
12. Repeat Steps 8 through 11 for opposite side with remaining clamp and nut.
13. Tighten inner and outer screws of both clamp assemblies until the front bezel is held securely against the front surface of the panel.

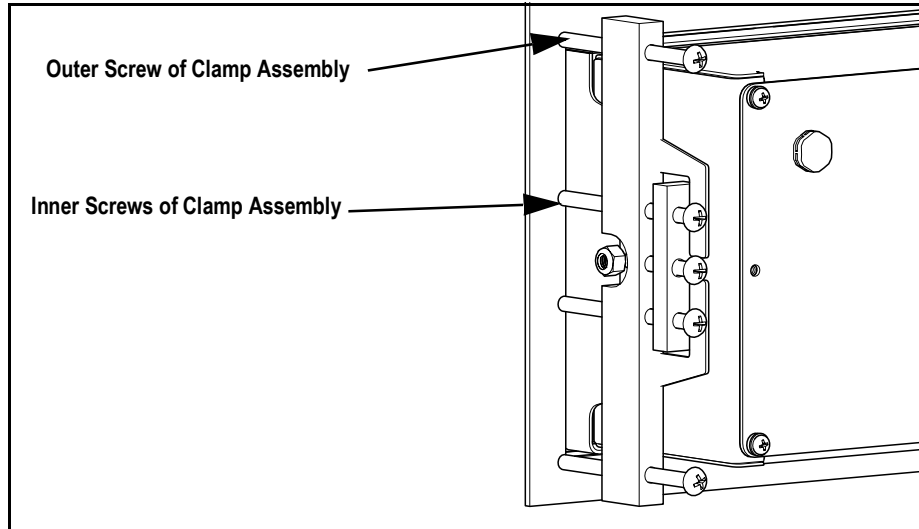


Figure 6. Tighten Clamp Assembly

Indicator Removal

1. Loosen the outer screws on one clamp assembly to relieve pressure on the center screw.
2. Loosen the center screw so that the clamp assembly can be pulled out of the way of the back panel of the indicator. There is no need to completely remove the clamp assembly.
3. Remove the back panel of the indicator and perform the required maintenance as noted by the indicator manual.
4. Tighten the center screw of the clamp assembly, engaging the clamp bar in the bezel bracket as shown, until the indicator is pressed securely against the inner bezel gasket.
5. Tighten the outer screws of the clamp assembly until the front bezel is held securely against the front surface of the panel.



© Rice Lake Weighing Systems Specifications subject to change without notice.

230 W. Coleman St. • Rice Lake, WI 54868 • USA

U.S. 800-472-6703 • Canada/Mexico 800-321-6703 • International 715-234-9171 • Europe +31 (0)26 472 1319