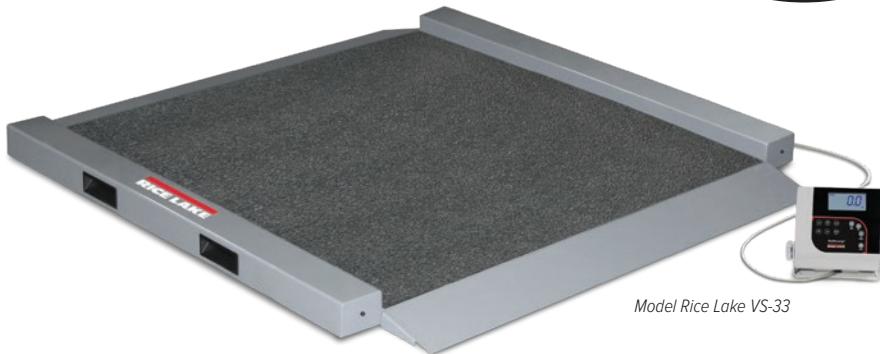


34 INCHES WIDE



Model Rice Lake VS-33

Standard Features

- Dual ramp
- Nonslip platform
- Push-button LCD display
- Motiontrap™ movement compensation technology
- Unit of measure toggle or locking
- Communication via USB
- Tare function
- Hold function
- Factory calibrated

Specifications

Capacity:
1,000 × 0.2 lb (450 × 0.1 kg)

Platform Dimensions Without Ramps:
(W × L × H) 34.0 × 34.0 × 2.22 in

Power:
9 VDC, provided by six AA alkaline batteries (included) or AC adapter (optional)

Battery Type:
Six AA alkaline (included)

Battery Use:
25 hours continuous use with batteries
Automatic power-off can be configured

Operating Temperature:
50 °F to 104 °F (14 °C to 40° C)

Cable Length:
9 ft (2.7 m) cable between scale base and indicator

Display:
5-digit LCD display, 0.75 in (1.9 mm) digit height

Approvals:
c-Met, E113986

Warranty:
Two-year limited

Approvals



Part Number/Price

Part #	Model #	Capacity	Price
204400	Rice Lake VS-33 Double Ramp	1,000 × 0.2 lb (450 × 0.1 kg) with USB	Consult

Shipping Weight

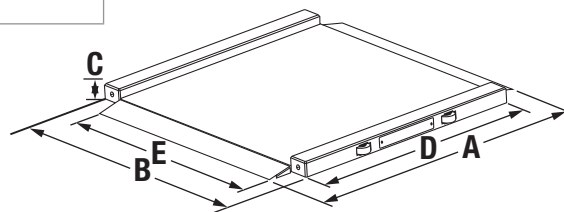
Part #	Model #	L (in)	W (in)	H (in)	Package Wgt. (lb)	Dim Wgt. (lb)	Shipping Wgt. (lb)
204400	Rice Lake VS-33 Double Ramp	43	43	11	162	147	162

Options/Accessories

Part #	Description	Price
79074	Cable, USB 6 ft USB-A (male) to USB-B (male)	Consult
217091	Cable, Communication DB9 (female) to RJ45 (male), 4 conductor	Consult
186830	Cable, RS232 scale to printer, 6 ft, 25-pin D-Sub (male) to RJ45	Consult

Dimensions

	Inches	Centimeters
A	41.0	104.1
B	40.0	101.6
C	2.2	5.6
D	34.0	86.4
E	34.0	86.4



LARGE ANIMAL
SCALES

Rice Lake VS-37



Model Rice Lake VS-37

Customizable options available



Wall mounted indicator,
cable enclosed in
customer supplied conduit

Standard Features

- Package includes scale, pit frame, handrail and indicator
- Vacuum-formed, ribbed platform
- Push-button LCD display
- Motiontrap™ movement compensation technology
- Unit of measure toggle or locking
- Communication via USB
- Tare function
- Hold function
- Factory calibrated

Specifications

Capacity:

1,000 × 0.2 lb (450 × 0.1 kg)

Platform Dimensions:

(W × L × H) 36 × 36 × 3 in

Power:

9 VDC, provided by six AA alkaline batteries (included) or AC adapter (optional)

Battery Type:

Six AA alkaline (included)

Battery Use:

25 hours continuous use with batteries
Automatic power-off can be configured

Operating Temperature:

50 °F to 104 °F (14 °C to 40 °C)

Display:

5-digit LCD display, 0.75 in (1.9 mm) digit height

Approvals:

c-Met, E113986

Warranty:

Two-year limited

Part Number/Price

Part #	Model #	Capacity	Price
204402	Rice Lake VS-37	1,000 × 0.2 lb (450 × 0.1 kg) with USB	Consult

Shipping Weight

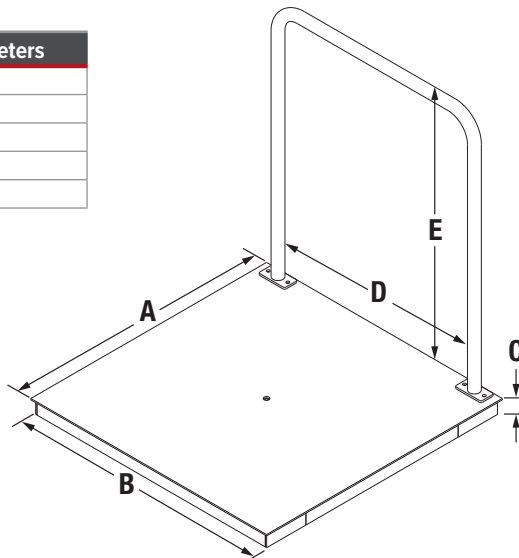
Part #	Model #	L (in)	W (in)	H (in)	Package Wgt. (lb)	Dim Wgt. (lb)	Shipping Wgt. (lb)
204402	Rice Lake VS-37	40	39	15	246	169	246

Options/Accessories

Part #	Description	Price
79074	Cable, USB 6 ft USB-A (male) to USB-B (male)	Consult
217091	Cable, Communication DB9 (female) to RJ45 (male), 4 conductor	Consult
186830	Cable, RS232 scale to printer, 6 ft, 25-pin D-Sub (male) to RJ45	Consult

Dimensions

	Inches	Centimeters
A	36.0	91.4
B	36.0	91.4
C	3.0	7.6
D	31.5	80.0
E	37.0	94.0



Rice Lake VS-37

Pit Frame Concrete Details

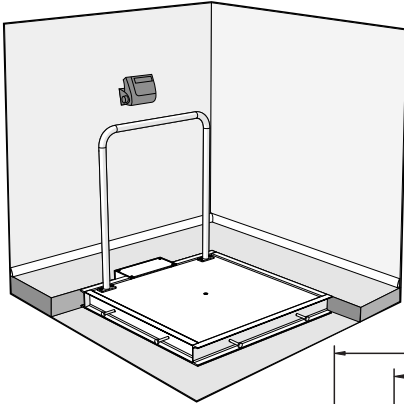
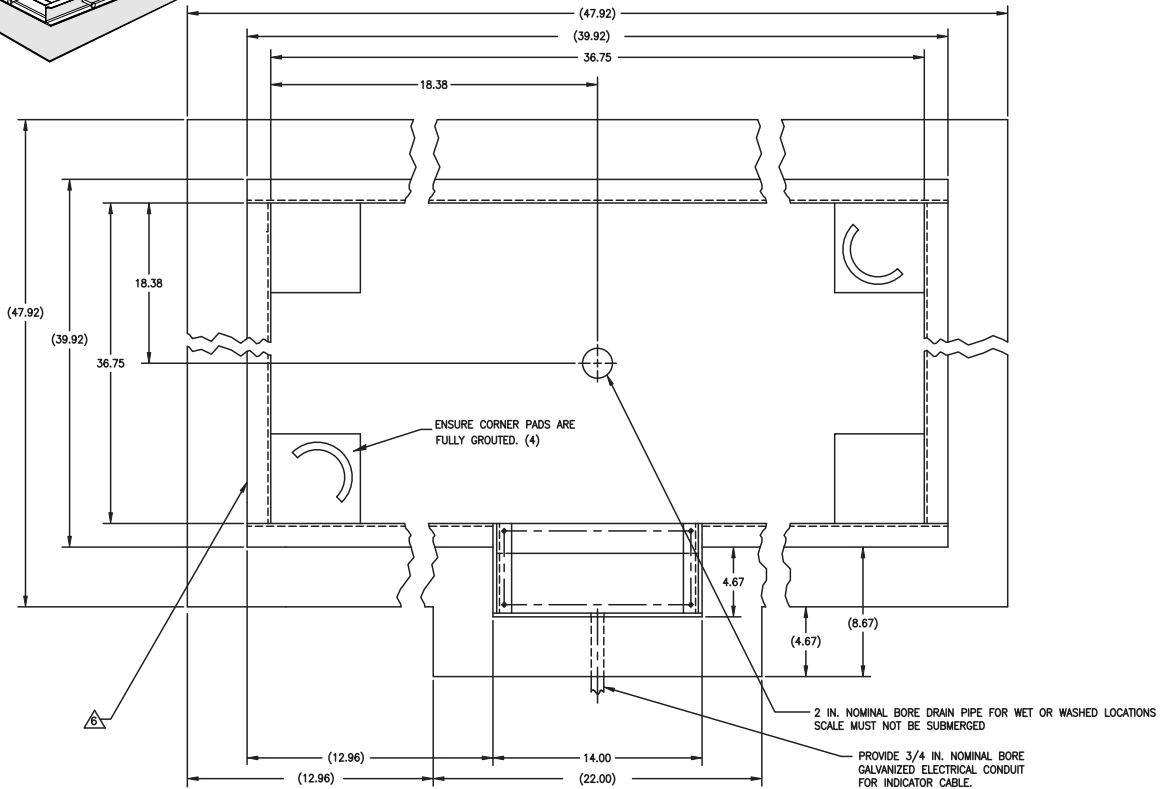
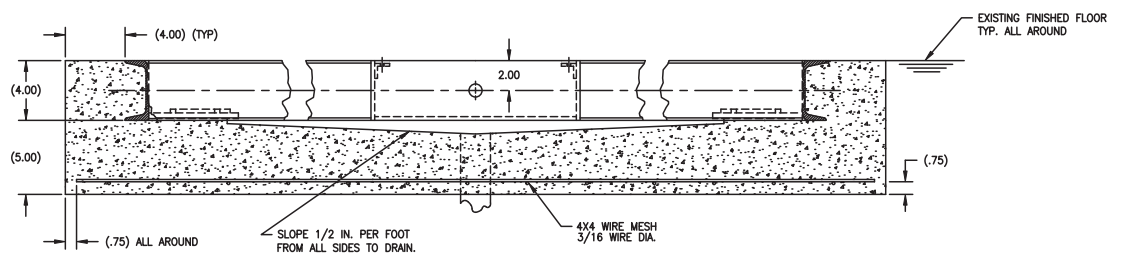


Image illustrates pit frame exposed to show detail.



NOTE: HANDRAIL ON SCALE WILL MOUNT ON SAME SIDE AS JUNCTION BOX POCKET



NOTE:

1. USE CONCRETE OF MINIMUM YIELD STRENGTH 5000 PSI OR 6-BAG MIX.
2. ALLOW 7 DAYS TO CURE. WET CONCRETE PERIODICALLY DURING THIS TIME.
3. DIMENSIONS SHOWN ASSUME FIRM, STABLE SOIL CONDITIONS. WHEN SOIL CONDITIONS ARE NOT ADEQUATE, PLACE FOUNDATION AT SUFFICIENT DEPTH.
4. IN WET OR WASHDOWN APPLICATIONS WE RECOMMEND THE USE OF HERMETICALLY SEALED LOAD CELLS, AND THAT THE JUNCTION BOX BE MOUNTED REMOTELY IN A DRY LOCATION.
5. WIRE MESH TO HAVE MINIMUM .75 COVER BOTTOM AND SIDES.

ON STAINLESS STEEL VERSIONS, TWO PIECES OF 2 INCH ANGLE WILL BE SUBSTITUTED FOR THE 4 INCH CHANNEL.

Rice Lake VS-40



Standard Features

- Two wheels for portability
- Large dual ramp
- Vacuum-formed, ribbed platform
- Large 1-inch LCD display
- Motiontrap™ movement compensation technology
- Unit of measure toggle or locking
- Communication via USB
- Tare function
- Hold function
- Factory calibrated

Specifications

Capacity:

1,000 × 0.2 lb (450 × 0.1 kg)

Platform Dimensions Without Ramps:

(W × L × H) 35.0 × 29.5 × 2.4 in

Platform Dimensions with Wheels and Ramps:

(W × L × H) 34.2 × 63.7 × 3.7 in

Power:

9 VDC, provided by six AA alkaline batteries (included) or AC adapter (optional)

Battery Type:

Six AA alkaline (included)

Battery Use:

25 hours continuous use with batteries
Automatic power-off can be configured

Operating Temperature:

50 °F to 104 °F (10 °C to 40 °C)

Cable Length:

7 ft (2.1 m) cable between scale base and indicator

Display:

5-digit LCD display, 0.75 in (1.9 cm) digit height

Approvals:

c-Met, E113986

Warranty:

Two-year limited

Part Number/Price

Part #	Model #	Capacity	Price
204407	Rice Lake VS-40	1,000 × 0.2 lb (450 × 0.1 kg)	Consult

Shipping Weight

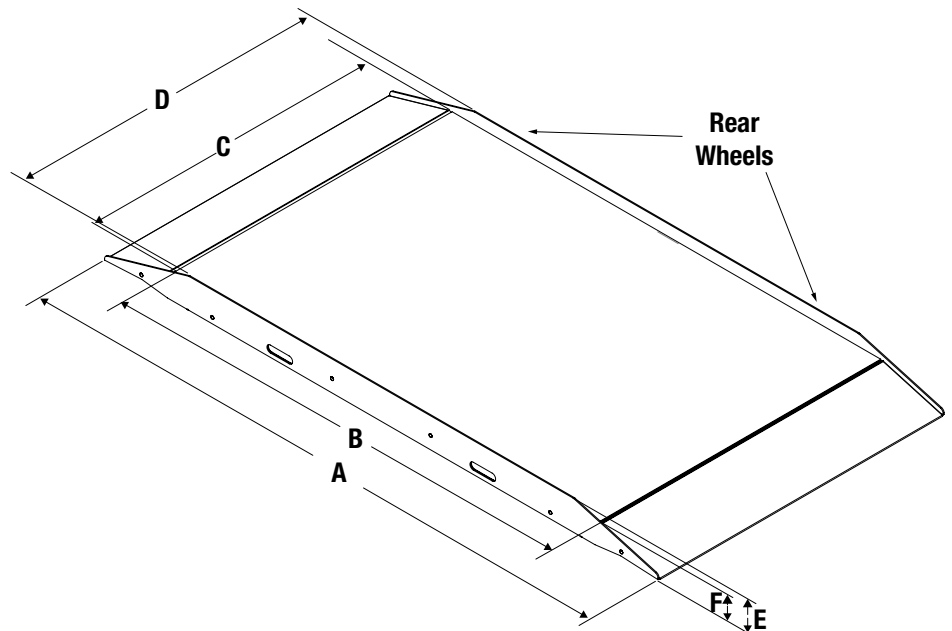
Part #	Model #	L (in)	W (in)	H (in)	Package Wgt. (lb)	Dim Wgt. (lb)	Shipping Wgt. (lb)
204407	Rice Lake VS-40	67.2	36	6	154	104	154

Options/Accessories

Part #	Description	Price
79074	Cable, USB 6 ft USB-A (male) to USB-B (male)	Consult
217091	Cable, Communication DB9 (female) to RJ45 (male), 4 conductor	Consult
186830	Cable, RS232 scale to printer, 6 ft, 25-pin D-Sub (male) to RJ45	Consult

Dimensions

	Inches	Centimeters
A	63.8	162.0
B	49.3	125.3
C	32.7	83.1
D	32.9	83.6
E	3.9	9.8
F	2.6	6.7



RoughDeck® SLV

Single Animal Livestock Scale



Approvals



Part Number/Price

Part #	Outside Dimensions	Capacity	Est. Weight	Price
103617	8 x 3 ft	4,000 lb, 20 ft without Quick Connect, modified to fit gate and rack (scale platform only)	565 lb	Consult
78452	8 x 3 ft	4,000 lb, 20 ft without Quick Connect (gate and rack not included) (scale platform only)	565 lb	Consult
103619	8 x 4 ft	4,000 lb, 20 ft without Quick Connect, modified to fit gate and rack (scale platform only)	750 lb	Consult
78453	8 x 4 ft	4,000 lb, 20 ft without Quick Connect (gate and rack not included) (scale platform only)	750 lb	Consult
RoughDeck SLV 4,000 lb Bundle Package (Ships Assembled)				
124192	8 x 3 ft	Includes: scale, 2 swing gates and racks, kick plates, 482 digital indicator, factory calibration	1,200 lb	Consult
160100	8 x 3 ft	Includes: scale, 2 sliding gates and racks, kick plates, 482 digital indicator, factory calibration	1,310 lb	Consult
124193	8 x 4 ft	Includes: scale, 2 swing gates and racks, kick plates, 482 digital indicator, factory calibration	1,500 lb	Consult

Options/Accessories

Part #	Description	Price
Consult	Smooth deck instead of diamond safety tread plate	N/C
Consult	Stainless steel load cells (RL32018S IP66) and hardware	Consult list price add-on
Consult	Stainless steel hermetically sealed load cells (RL32218S-HE IP69K) and hardware	Consult list price add-on
Consult	Angle iron bolted to scale for wood deck provisions (wood to be supplied by customer)	Consult
Consult	Rubber mat	Consult
Consult	Slide gate	Consult
18777	Floor anchor plates, mild steel (set of 2)	Consult
18778	Floor anchor plates, stainless steel (set of 2)	Consult

Standard Features

- Mild steel construction
- Rugged diamond safety treadplate deck
- Rigid structural steel channel frame
- NEMA Type 4X stainless steel side-access junction box without quick connector
- Signal trim summing board
- Four adjustable stainless steel SUREFOOT™ support feet
- SURVIVOR® EL147HE hostile environment load cell cable
- Four alloy steel load cells

Specifications

Full Scale Capacity:
4,000 lb, 1 lb increments

End Load Capacity:
125% full scale

Cable Length:
20 ft (6 m)

Warranty:
Two-year limited (scale only)

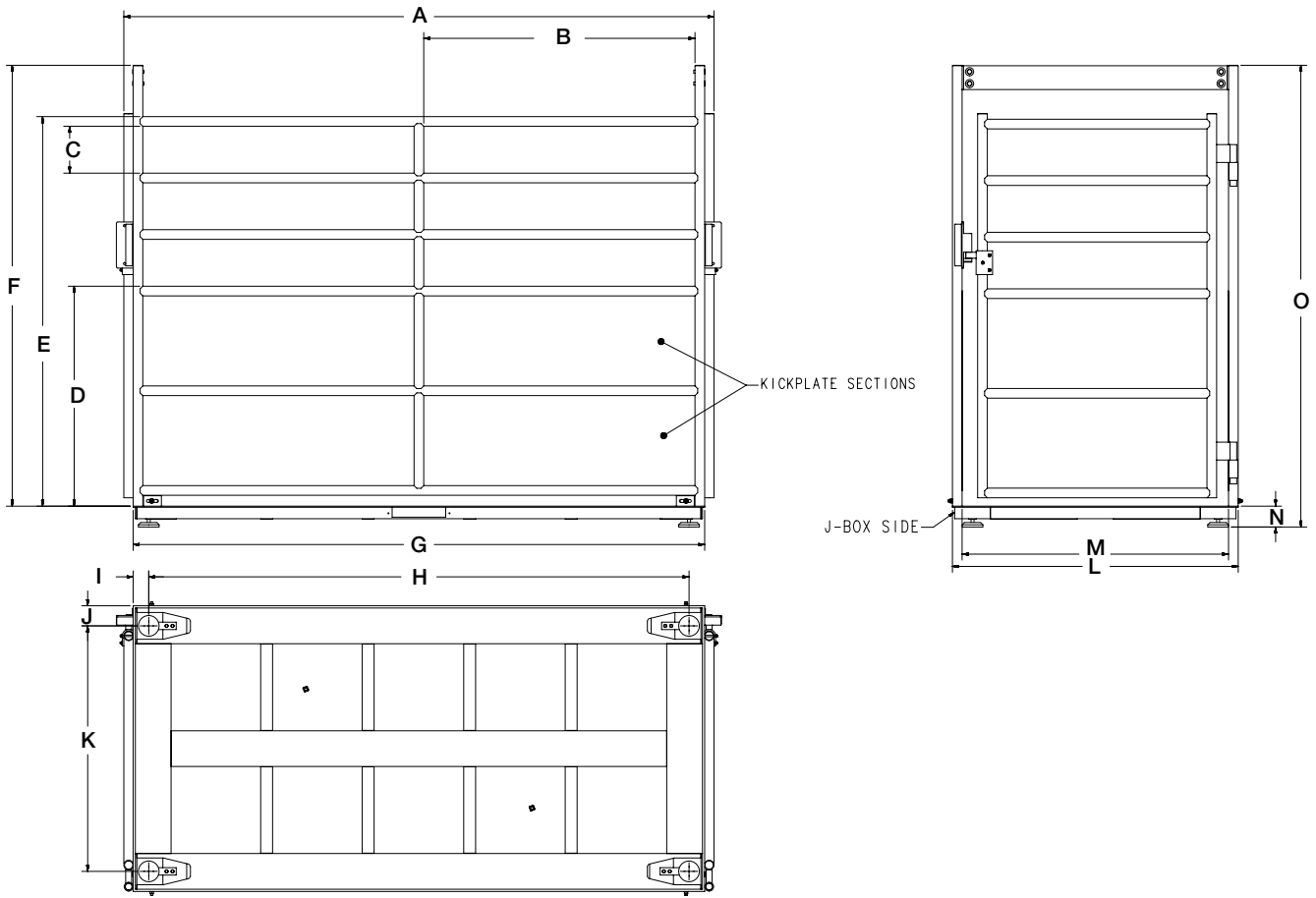
Approvals:
NTEP 92-001 Class III 4,000d

Capacity not to exceed 4,000 lb x 1 lb and platform size not to exceed 32 sq ft

LARGE ANIMAL
SCALES

RoughDeck® SLV

Single Animal Livestock Scale



LARGE ANIMAL
SCALES

Dimensions			
3 × 8 ft			
A	99.12 in	I	2.63 in
B	45.56 in	J	3.38 in
C	7.88 in	K	29.25 in
D	36.95 in	L	36.00 in
E	65.45 in	M	32.75 in
F	74.00 in	N	3.50 in
G	95.00 in	O	77.58 in
H	90.75 in		
4 × 8 ft			
A	99.12 in	I	2.63 in
B	45.56 in	J	3.38 in
C	7.88 in	K	41.25 in
D	36.95 in	L	48.00 in
E	65.45 in	M	44.75 in
F	74.00 in	N	3.50 in
G	95.00 in	O	77.58 in
H	90.75 in		

RoughDeck® EQ

Equine Floor Scale and Indicator Package



Standard Features

- Package includes 4 ft × 6 ft × 4.25 in floor scale with stall mat, 20 ft of SURVIVOR EL147HE hostile environment load cell cable and indicator
- Mat thickness 0.75 in

Scale

- Heavy-duty design with structural steel channel frame
- Stall mat to reduce noise and instill equine comfort
- 4 adjustable stainless steel SUREFOOT™ support feet
- Powder-coated black matte finish

Indicator

- LCD backlit display for a variety of environments
- Battery backed time and date
- Communication ports for connecting to a variety of peripherals

RoughDeck EQ Specifications

End Load Capacity:

100% full scale at 2,500 lb

Load Cells:

Model RL32018 alloy steel environmentally sealed IP66

Junction Box:

Side access, TuffSeal JB4SS stainless steel, NEMA Type 4X with a signal card

Feet:

Stainless steel SUREFOOT, adjustable (+0.25 in or -0.125 in) for leveling the scale

Finish:

Powder coat painted, black matte

Cable Length:

20 ft (6.1 m) for connecting scale junction box to indicator

Threaded Eyebolt:

One lifting hole located in center of scale for easy install (requires 1/2-20NF eyebolt, not included)

Warranty:

Two-year limited

482 Specifications

Power:

Line voltages: 100 to 240 VAC
Frequency: 50/60 Hz
DC voltages: n/a

Communication Ports:

Com 1: RS-232 full duplex
Com 2: RS-232 full duplex or 20 mA simplex, continuous
Both ports 1200, 2400, 4800, 9600, 19200, 38400 baud seven or eight data bits, even, odd or no parity

Optional Ethernet and USB Board:

USB five-pin header for PC, printer or flash drive
Ethernet TCP/IP, RJ45 jack, server and client ports

Display:

LCD backlit, transmissive/ transfective, 0.8 in (20 mm), six-digit, seven-segment

Annunciators:

Gross, net, center of zero, standstill, lb, kg, tare, preset tare

Keys/Buttons:

Flat membrane panel, embossed keys, tactile feel

Rating/Material:

NEMA Type 4X/IP66
Stainless steel

Approvals:

NTEP 12-123
Measurement Canada AM-5892C
CE
cULus

Part Number/Price

Part #	Size (W × L × H)	Capacity	Est. Weight	Price
RoughDeck EQ Floor Scale with 482 Indicator				
207811	4 ft × 6 ft × 4.25 in	2,500 × 0.5 lb	610 lb	Consult

Note: Height includes stall mat

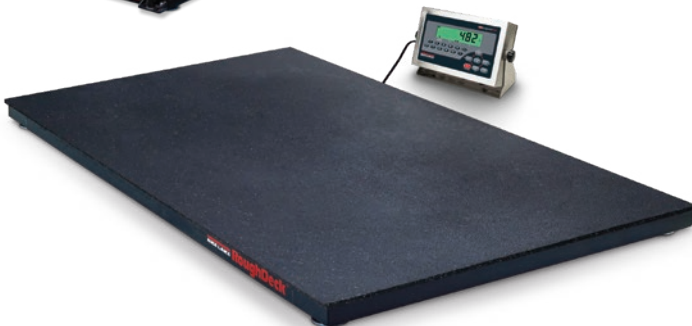
Options/Accessories

Part #	Description	Price
Consult	Access ramps	Consult list price add-on
Consult	Smooth deck instead of diamond safety tread plate	N/C
12839*	50 lb cast iron calibration weights	Consult
207812	Guide rail, 5.66 ft long × 4.36 ft high, field installable, black matte finish	Consult list price add-on
18777	Floor anchor plates	Consult
Consult	Hermetically sealed load cells	Consult

*Quantity of 5 weights is recommended for 10% of capacity.



RoughDeck EQ with two optional guide rails installed



LARGE ANIMAL
SCALES

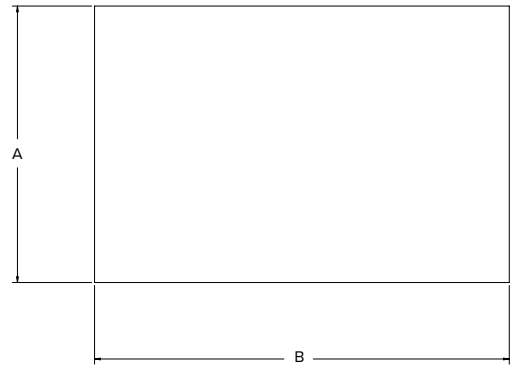
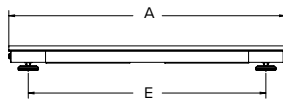
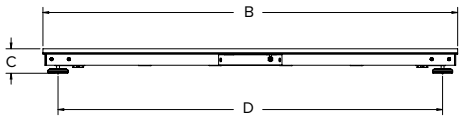
RoughDeck® EQ

Equine Floor Scale and Indicator Package

Dimensions

4 ft × 6 ft × 4.25 in with No Optional Guide Rail

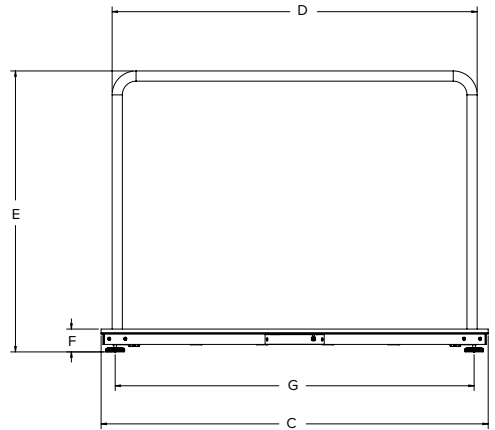
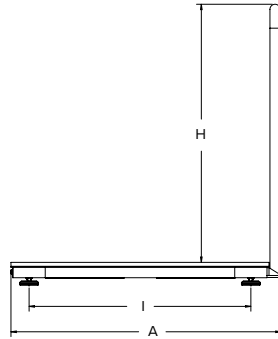
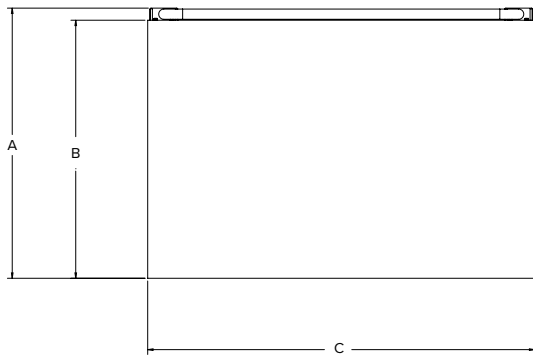
A	48.00 in	D	66.76 in
B	72.00 in	E	41.25 in
C	4.25 in		



Dimensions

4 ft × 6 ft × 4.25 in with One Optional Guide Rail

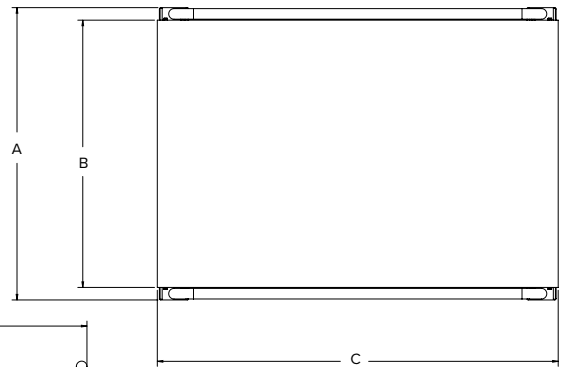
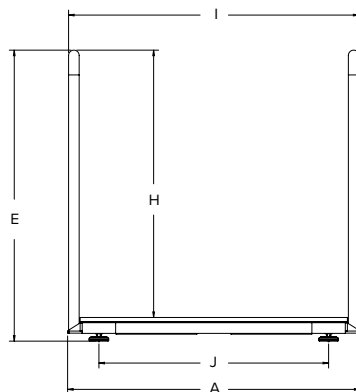
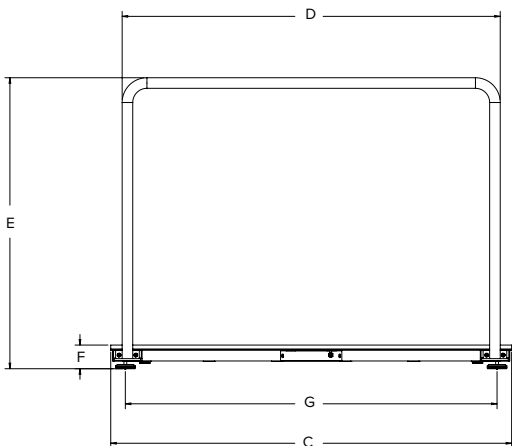
A	50.25 in	F	4.25 in
B	48.00 in	G	66.76 in
C	72.00 in	H	48.00 in
D	67.90 in	I	41.25 in
E	52.26 in		



Dimensions

4 ft × 6 ft × 4.25 in with Two Optional Guide Rails

A	50.25 in	F	4.25 in
B	48.00 in	G	66.76 in
C	72.00 in	H	48.00 in
D	67.90 in	I	52.15 in
E	52.26 in	J	41.25 in



LARGE ANIMAL
SCALES