

# RoughDeck® PW-1 Mild Steel

Low-profile Pallet Weighing Floor Scale



## Approvals



## Part Number/Price

Part #	Size (W × L × H)	Capacity	Est. Weight	Price
177904	48 in × 48 in × 3 in	2,500 lb	200 lb	Consult
177905	48 in × 60 in × 3 in	2,500 lb	210 lb	Consult
177906	60 in × 60 in × 3 in	2,500 lb	235 lb	Consult
177907	48 in × 48 in × 3 in	5,000 lb	200 lb	Consult
177908	48 in × 60 in × 3 in	5,000 lb	210 lb	Consult
177909	60 in × 60 in × 3 in	5,000 lb	235 lb	Consult

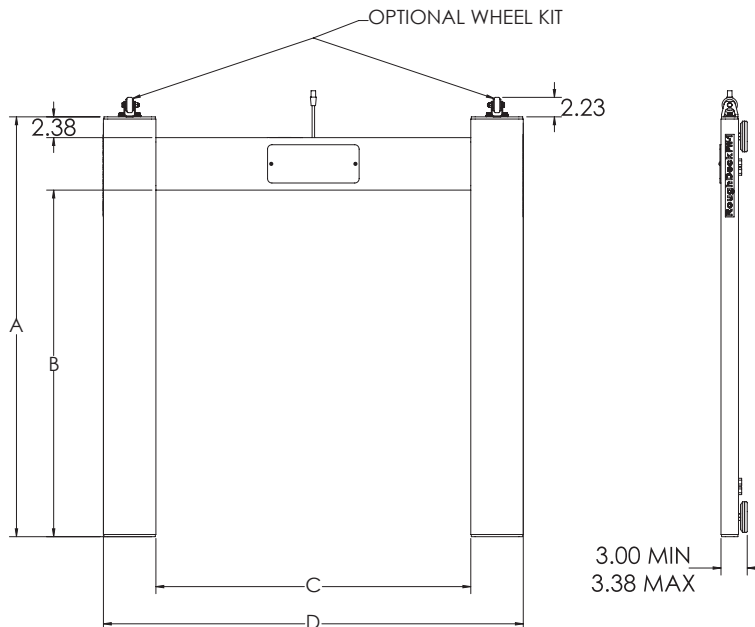
## Options/Accessories

Part #	Description	Price
18777	Floor anchor plates, mild steel (set of 2)	Consult
19352	Floor stand for indicator, 36.3 in high, mild steel	Consult
126384	Floor stand for indicator, 48 in high, mild steel	Consult
178250	Wheel kit option (wheels engage at a 28° angle)	Consult
Consult	Mild steel deck with RL32018S IP66 stainless steel cFMus approved load cells and hardware	Consult
Consult	Mild steel deck with RL32218S-HE hermetically sealed IP69K stainless steel cFMus approved load cells and hardware	Consult
Consult	Epoxy paint	Consult

## Dimensions

PW-1 Mild Steel	
<b>4 × 4 ft (160 lb)</b>	
A	48.00 in
B	39.63 in
C	36.00 in
D	48.00 in
<b>4 × 5 ft (170 lb)</b>	
A	48.00 in
B	39.63 in
C	48.00 in
D	60.00 in
<b>5 × 5 ft (195 lb)</b>	
A	60.00 in
B	51.63 in
C	48.00 in
D	60.00 in

Note: 1 in=25.4 mm



## Standard Features

- Low-profile design
- 20 ft SURVIVOR® EL147HE hostile environment load cell cable
- Top-access junction box
- Four adjustable stainless steel SUREFOOT™ support feet
- Four alloy steel, shear beam load cells

## Specifications

### End Load Capacity:

- 80% full scale at 2,500 lb
- 100% full scale at 5,000 lb

### Cable Length:

- 20 ft (6.1 m) for connecting junction box to indicator

### Junction Box:

- TuffSeal® JB4SS stainless steel, NEMA Type 4X junction box with signal trim card

### Welding:

- Stitch, consult factory if continuous is required

### Warranty (limited):

- Load cells: Two-year
- All other components: One-year

FLOOR SCALES