

Retail

TABLE OF CONTENTS

RICE LAKE RS-130	284
<i>Standard Model</i>	
RICE LAKE RS-130/RS-160	286
<i>Bench</i>	
RICE LAKE RS-130/RS-160	288
<i>Pole</i>	
ISHIDA ASTRA	290
<i>Standard Model</i>	
ISHIDA ASTRA	294
<i>Pole Display Model</i>	
ISHIDA ASTRA II	298
<i>Bench</i>	
ISHIDA ASTRA II	302
<i>Pole</i>	

RETAIL

Rice Lake RS-130

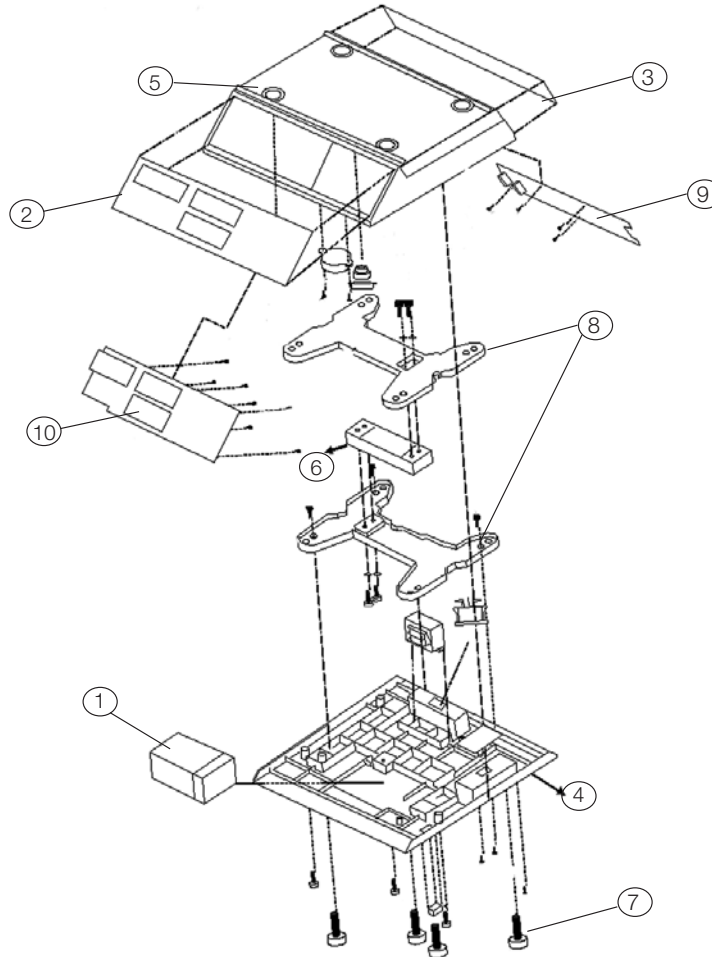
Standard Model



Part Number/Price

Ref#	Part#	Description	Price
--	85709	Keypad cover and switch panel overlay	Consult
1	85710	Rechargeable battery	Consult
--	85711	In use dust cover	Consult
2	85712	Front display-overlay (operator)	Consult
--	93900	Front display-overlay, Canadian (operator)	Consult
3	85713	Rear display-overlay (customer)	Consult
--	93901	Rear display-overlay, Canadian (customer)	Consult
4	85714	Base plate (molded plastic)	Consult
5	85715	Upper cover (molded plastic)	Consult
6	50624	Load cell, 20 kg	Consult
7	85716	Foot	Consult
--	15438	Power cord	Consult
--	85718	Power switch (on/off type)	Consult
8	85721	Load cell spider	Consult
9	85723	Rear-display PCB	Consult
10	87711	Main PCB (with keyboard tare function)	Consult
--	100229	Main PCB (Canadian, no ounces)	Consult
--	92714	Main PCB (with RS-232C output RS130 with RS-232)	Consult
--	126004	RS-232 junction board for use with PN92714	Consult
--	88574	Plastic platter	Consult
--	88575	Stainless steel platter	Consult
--	115263	Sealing pin	Consult
--	115927	Level bubble	Consult

(See Diagram RS-130)



RS-130

Retail Scales

RETAIL

Rice Lake RS-130/RS-160

Bench



RS-130



RS-160

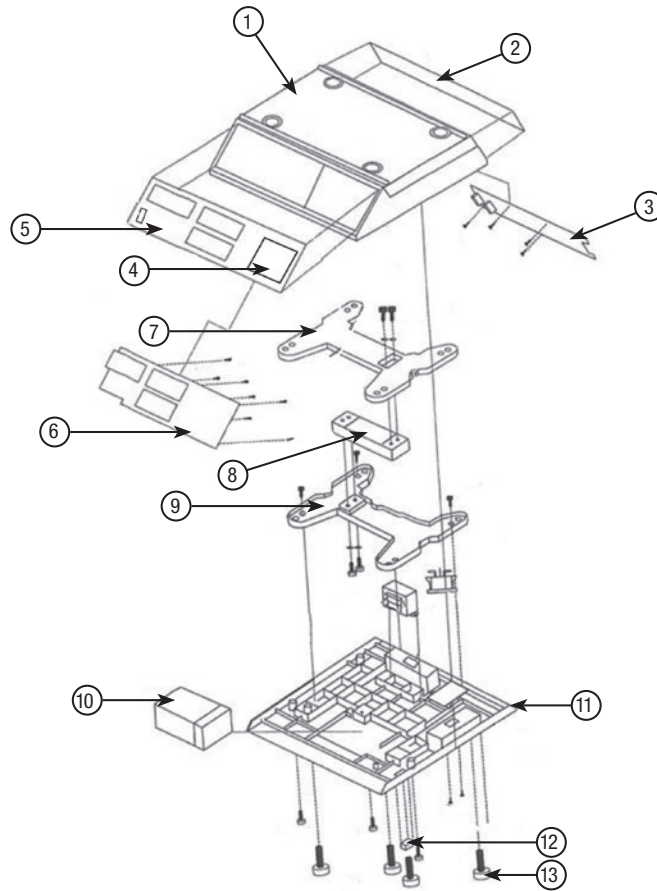
Part Number/Price

Ref #	Part #	Description	Price
1	85715	Upper plastic cover	Consult
2	170020	Rear display overlay, RS-130	Consult
	170021	Rear display overlay, RS-160	Consult
3	171653	Rear display, PCB, 30 lb	Consult
	171698	Rear display, PCB, 60 lb	Consult
	170013	Keyboard (2 piece kit)	Consult
5	170018	Front display overlay, RS-130	Consult
	170019	Front display overlay, RS-160	Consult
6	165162	Main board, 30 lb	Consult
	171697	Main board, 60 lb	Consult
7	171656	Upper aluminum structure	Consult
8	50624	Load cell, 20 kg	Consult
9	171657	Base aluminum structure	Consult
10	85710	Rechargeable battery	Consult
11	85714	Base plastic plate	Consult
12	85718	Power switch	Consult
13	85716	Rubber foot	Consult
14	175421	AC base seat	Consult
	23143	Power cord	Consult
	85711	Dust cover	Consult
	88574	Plastic platter	Consult
	88575	Stainless steel cover for the platter	Consult
15	178072	Transformer	Consult
	178058	Replacement Backlight	Consult
	170262	CPU, Eprom RS-130	Consult
	178057	CPU, Eprom RS-160	Consult
	115263	Plastic sealing pin	Consult
	115927	Level bubble	Consult
	178059	17 pin LCD display	Consult

(See Diagram RS-130/160 Bench)

Retail Scales

RETAIL
Rice Lake RS-130/RS-160
Bench



RS-130/RS-160 Bench

Retail Scales

RETAIL

Rice Lake RS-130/RS-160

Pole



RS-130

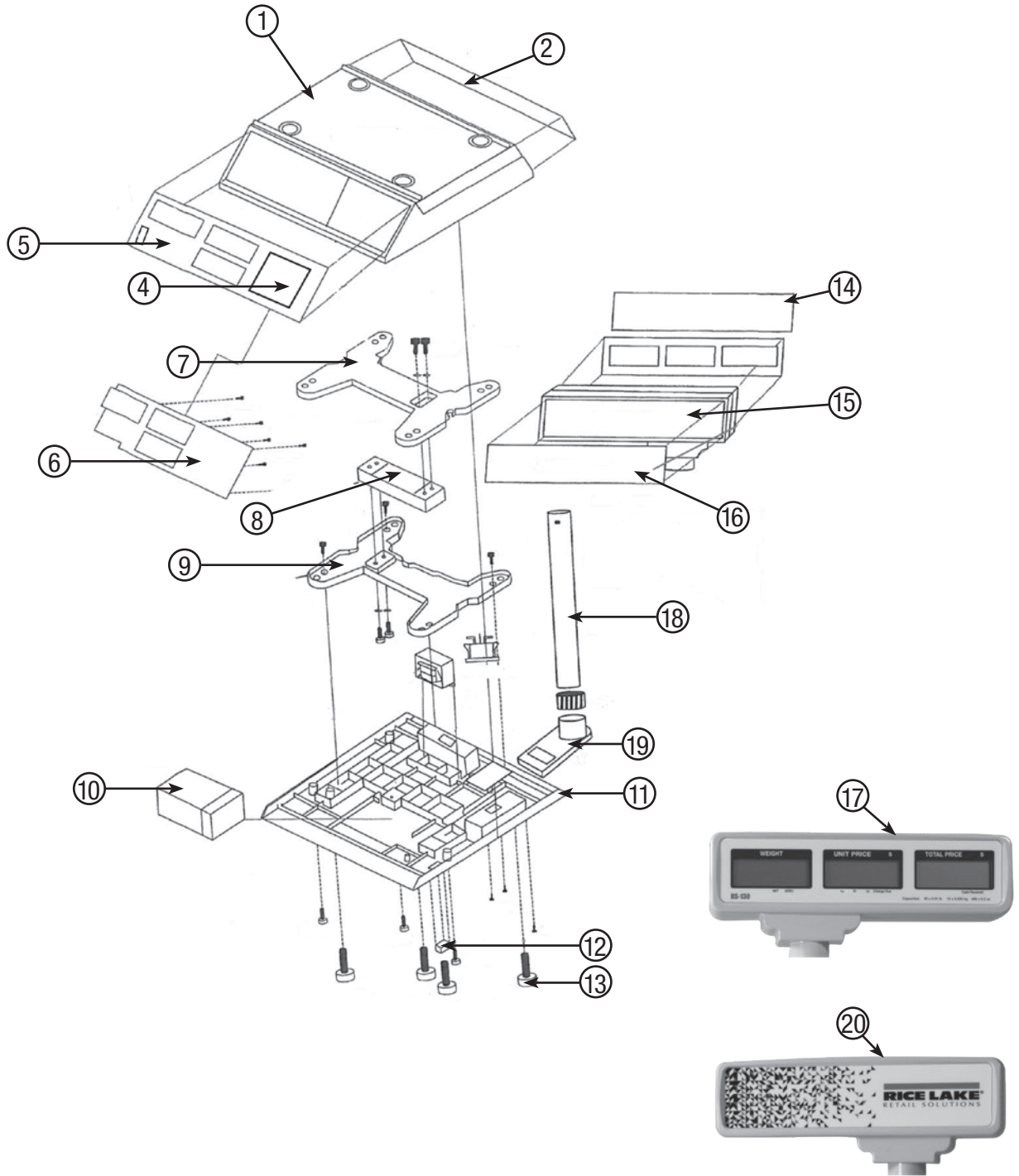
Part Number/Price

Ref #	Part #	Description	Price
1	85715	Upper plastic cover	Consult
2	170025	Rear display overlay, RS-130/RS-160	Consult
4	170013	Keyboard (2 piece kit)	Consult
5	170018	Operator display overlay, RS-130	Consult
	170019	Operator display overlay, RS-160	Consult
6	165162	Main board, 30 lb	Consult
	171697	Main board, 60 lb	Consult
7	171656	Upper aluminum structure	Consult
8	50624	Load cell, 20 kg	Consult
9	171657	Base aluminum structure	Consult
10	85710	Rechargeable battery	Consult
11	85714	Base plastic plate	Consult
12	85718	Power switch	Consult
13	85716	Rubber foot	Consult
14	170023	Front pole display overlay, RS-130	Consult
	170024	Front pole display overlay, RS-160	Consult
15	170012	Rear pole display, PCB, 30 lb	Consult
	171699	Rear pole display, PCB, 60 lb	Consult
16	170022	Rear display cover, overlay, operator side	Consult
17	171654	Pole plastic cover, customer side	Consult
18	171659	Stainless steel tube	Consult
19	171658	Indicator plastic tube support	Consult
20	171655	Pole plastic cover, operator side	Consult
	175421	AC base seat	Consult
	23143	Power cord	Consult
	85711	Dust cover	Consult
	88574	Plastic platter	Consult
	88575	Stainless steel cover for the platter	Consult
	TF001	Transformer	Consult
	BK001	Backlight kit	Consult
	170262	CPU	Consult
	115263	Plastic sealing pin	Consult
	115927	Level bubble	Consult

Retail Scales

RETAIL
Rice Lake RS-130/RS-160
 Pole

Retail Scales



RS-130/RS-160 Pole

RETAIL

Ishida Astra

Standard Model



Part Number/Price

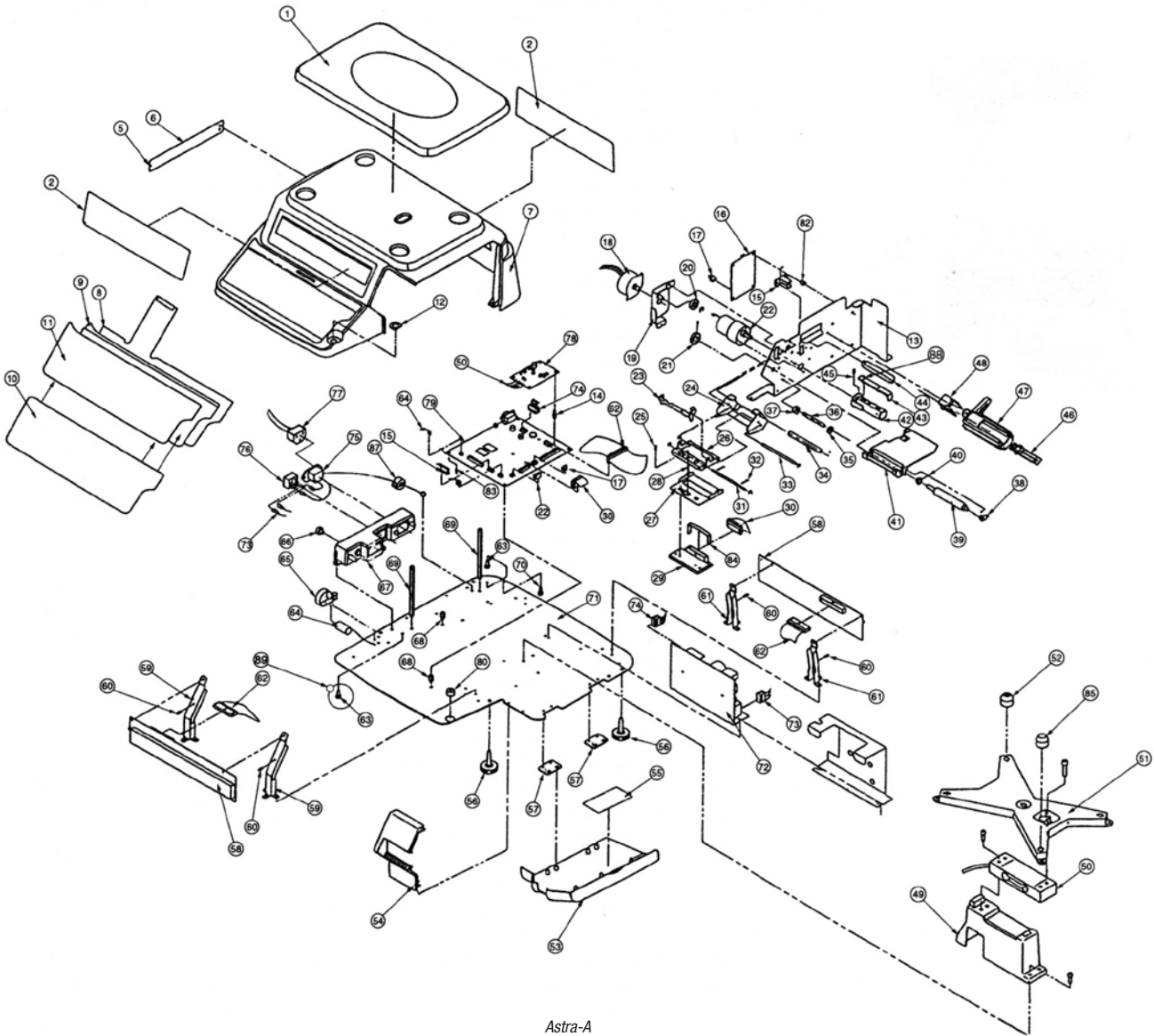
Ref#	Part#	Description	Synonym	Price
1	66343	Platter	89-3007-05	Consult
2	66344	Sheet, rear display panel	89-2843-18	Consult
5	42734	Push rivet	00-4761-06	Consult
6	66345	Nameplate, specification	89-2949-19	Consult
7	66346	Case, upper	89-2689-01	Consult
8	66347	Keyboard, membrane, contacts only	89-2852-02	Consult
9	66348	Sheet, keyboard, programming keyboard overlay adhesive back	89-2811-00	Consult
10	66349	Keysheet, operator, insert	89-2813-07	Consult
11	66350	Keysheet, clear with adhesive	89-2846-19	Consult
12	66351	Sticker, level, bubble	89-2802-15	Consult
13	66352	Frame, printer	89-2701-21	Consult
14	66353	Standoff, A/D support	89-2714-01	Consult
15	66354	Sensor, label gap	89-2241-16	Consult
16	66355	DC/DC converter	89-2796-07	Consult
17	66356	Harness, S2, DC/DC	89-2782-14	Consult
18	66357	Motor, stepping print roller drive	89-2735-00	Consult
19	66358	Bracket, stepping, motor	89-2703-29	Consult
20	66359	Gear, stepping motor	89-2777-15	Consult
21	66360	Gear, print roller	89-2705-17	Consult
22	66361	Motor, label rewind	89-2997-18	Consult
23	66362	Bracket, printhead release	89-2713-26	Consult
24	66363	Bracket, frame, printhead	89-2707-23	Consult
25	45145	Step, screw, pan	36-0942-00	Consult
26	66364	Bracket, printhead lock	89-2709-11	Consult
27	66365	Bracket, printhead	89-2710-16	Consult
28	45203	Spring, coil, compressive	00-6375-09	Consult
29	45237*	Printhead, thermal	36-2636-16	Consult
--	48239	Screw, button head, M3 x 6, printhead mount	00-0438-08	Consult
30	66366	Cable, printhead	89-2534-08	Consult
31	45222	Shaft, lock	49-6373-12	Consult
32	45206	Spring, coil, tension	00-6377-06	Consult
33	45221	Shaft, fulcrum	00-6168-04	Consult
34	45188	Threaded rod, round, FF	36-2507-00	Consult
35	45201	Guide, label, outside	20-2507-00	Consult
36	45223	Threaded rod, round, FF	50-6308-04	Consult
37	66367	Guide, label, inside	89-2861-06	Consult
38	66368	Bushing, right, print roller	89-2776-21	Consult
39	66369	Roller, printer	89-2704-13	Consult
40	66370	Bushing, left, print roller	89-2706-01	Consult
41	66371	Plate, label with peeling bar	89-2702-25	Consult
42/43	105437	Label take-up kit, reel and lever (without screws)		Consult
44	66374	Label press	89-2774-23	Consult
45	66375	Screw, set screw, M3 x 6	89-2860-02	Consult
46	66376	Guide, label lever	89-2858-04	Consult
47	66377	Reel, label supply	89-2778-19	Consult
48	66378	Reel, label supply holder	89-2830-01	Consult
49	66379	Bracket, load cell	89-2695-22	Consult
50	44414 †	Load cell, C2G1-25K	89-0643-03	Consult
51	44410	Platter support	89-1884-08	Consult
52	44406	Rubber, platter support	89-1631-11	Consult

* Same as Ishida 3000 Series

† Same as Ishida Nova-II (30lb)

(See Diagram Astra-A)

Retail Scales



Astra-A

Retail Scales

RETAIL

Ishida Astra

Standard Model



Part Number/Price

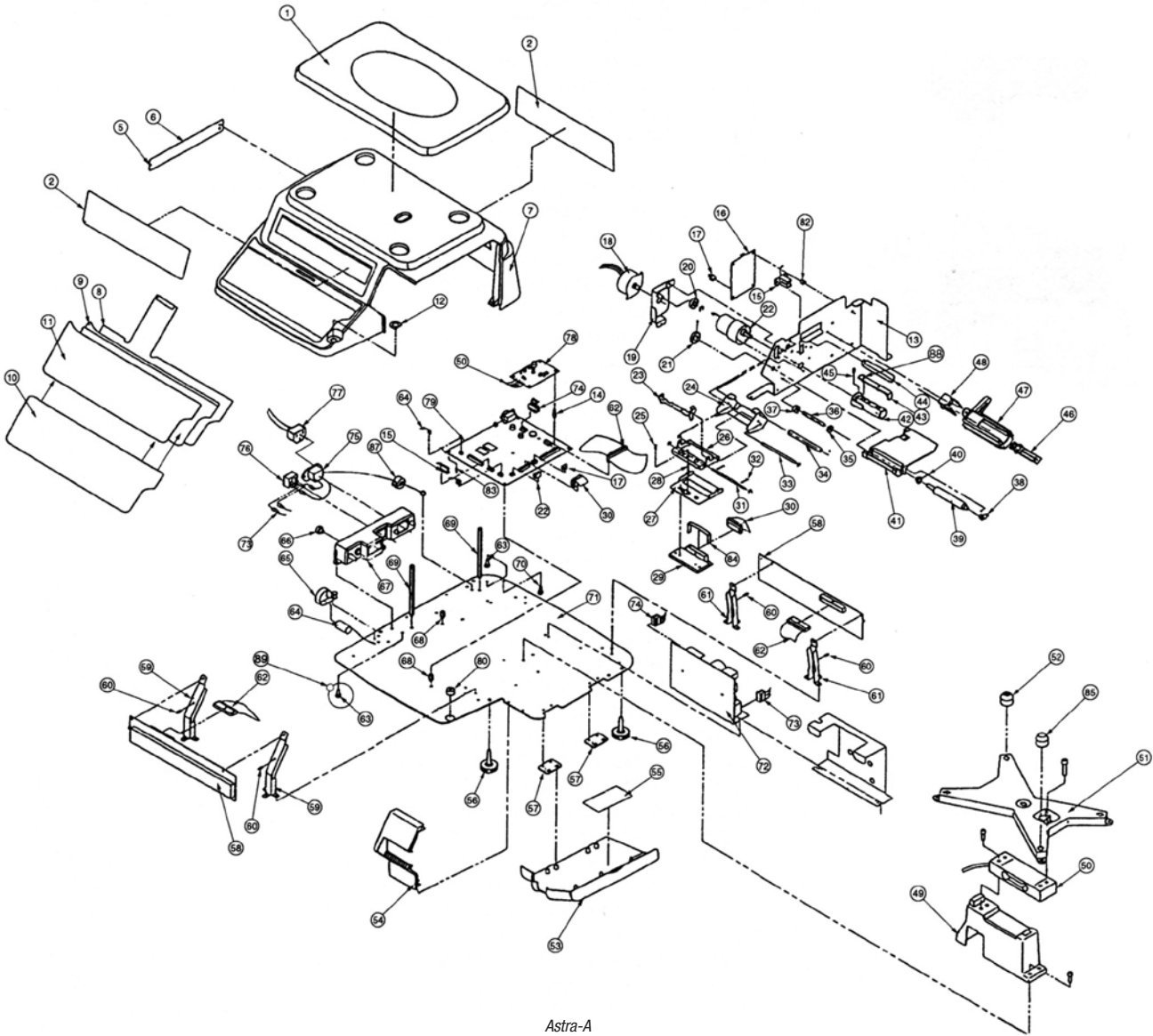
Ref#	Part#	Description	Synonym	Price
53	66380	Cover, printer door	89-2690-06	Consult
54	66381	Cover, front, printhead	89-2691-19	Consult
55	66382	Sticker, label roll loading	89-2854-19	Consult
56	44423*	Leg, adjusting,	23-3052-05	Consult
57	66383	Hinge, printer door	89-2694-29	Consult
58	66384	Board, display, PK-221	89-2793-06	Consult
59	66385	Bracket, display, front	89-2697-11	Consult
60	66386	Standoff display	89-2708-09	Consult
61	66387	Bracket, display, rear	89-2698-14	Consult
62	66389	Cable, S3, display	89-2784-02	Consult
63	45128	Screw, sealing, brass	00-6609-00	Consult
64	66388	Battery	89-2827-09	Consult
65	66390	Clamp, battery	89-2678-01	Consult
66	44474	Screw, sealing, nylon	89-2025-09	Consult
67	66391	Bracket, case, connector	89-2693-25	Consult
68	66392	Standoff, main board	89-2699-18	Consult
69	66393	Standoff, overload	89-2700-00	Consult
70	66394	Screw, sealing, brass, self tapping	89-2832-08	Consult
71	66395	Base, base plate	89-2688-26	Consult
72	77975	Power supply, switching, SWD100P	102-9575-06	Consult
--	77889	Fuse, power supply, 5A, 250V, 5x20		Consult
73	66396	Cable, C3, power	89-2786-00	Consult
74	47073	Harness, S2, PS	47-3677-19	Consult
75	66397	Socket assembly, C4, power cord	89-2785-24	Consult
76	66398	Switch, power	89-0349-17	Consult
77	15438	Power cord		Consult
78	66399	Board, A/D, PK-219	89-2637-17	Consult
79	66400	Board, main, PK-220A	89-6391-07	Consult
80	44425	Level, Unit	89-0914-02	Consult
82	66419	Standoff, DC/DC converter	89-2859-08	Consult
83	66420	Standoff, mainboard	89-2677-07	Consult
84	66401	Clip retainer, printhead	89-2973-37	Consult
85	66402	Rubber, plate support, solid	89-3006-01	Consult
87	66403	Filter, ferrite	66-7687-02	Consult
88	42714	Screw, pan head tapping M4x8	00-0442-03	Consult
89	42735	Sealing stamp	22-3922-08	Consult

* Same as Ishida 3000 Series

† Same as Ishida Nova-II (30lb)

(See Diagram Astra-A)

Retail Scales



Astra-A

Retail Scales

RETAIL

Ishida Astra

Pole Display Model



Part Number/Price

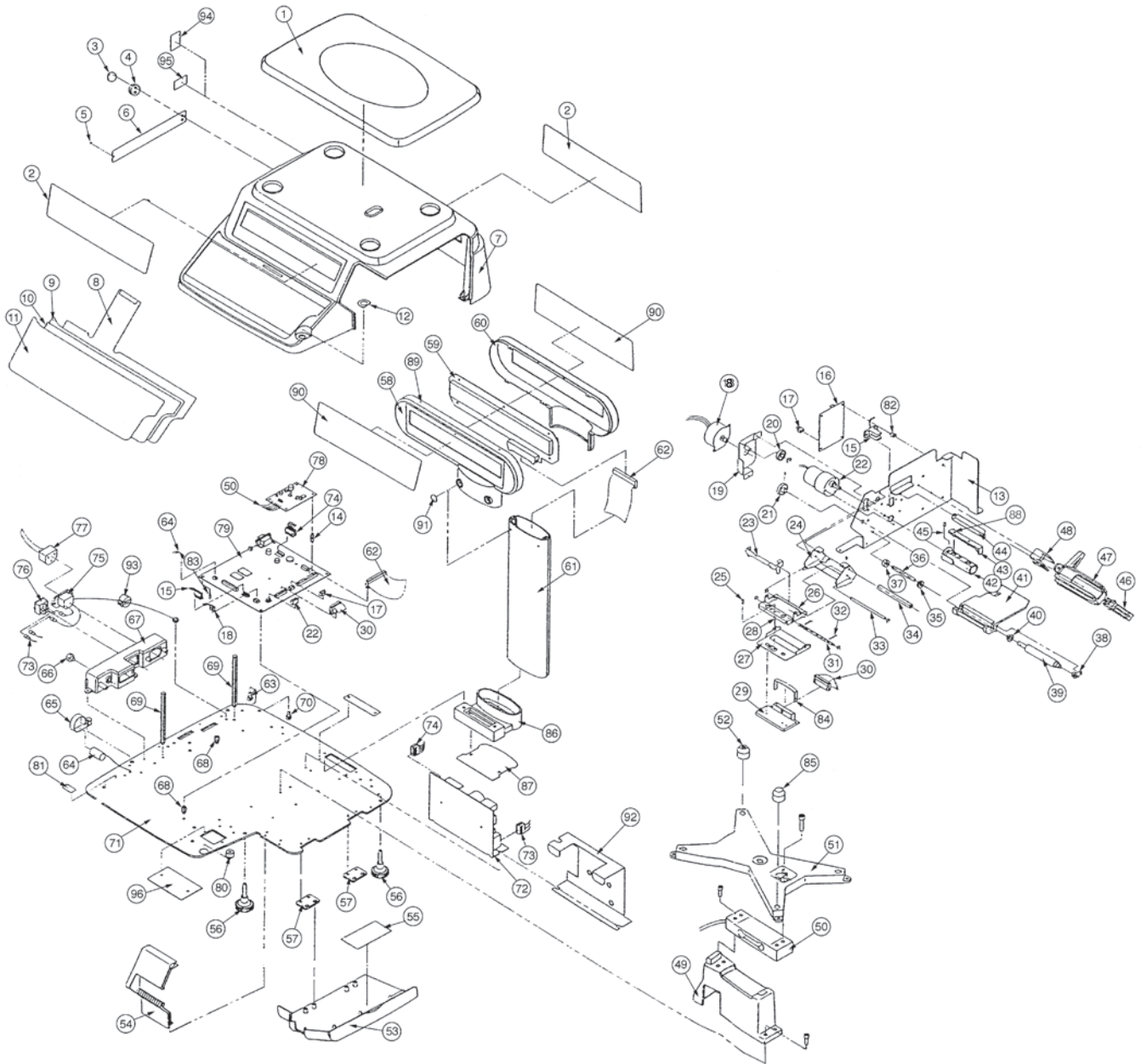
Ref#	Part#	Description	Synonym	Price
1	83777	Platter	89-3317-00	Consult
1	83781	Backstop for platter	89-3316-06	Consult
2	68944	Filter, display panel	89-3265-00	Consult
5	42734	Push rivet	00-4761-06	Consult
6	66345	Nameplate, specification	89-2949-19	Consult
7	66346	Case, upper	89-2689-01	Consult
8	66347	Keyboard, membrane, contacts only	89-2852-02	Consult
9	66348	Sheet, keyboard, programming keyboard overlay adhesive back	89-2811-00	Consult
10	66349	Keysheet, operator, insert	89-2813-07	Consult
11	66350	Keysheet, clear with adhesive	89-2846-19	Consult
12	66351	Sticker, level, bubble	89-2802-15	Consult
13	66352	Frame, printer	89-2701-21	Consult
14	66353	Standoff, A/D support	89-2714-01	Consult
15	66354	Sensor, label gap	89-2241-16	Consult
16	66355	DC/DC converter	89-2796-07	Consult
17	66356	Harness, S2, DC/DC	89-2782-14	Consult
18	66357	Motor, stepping print roller drive	89-2735-00	Consult
19	66358	Bracket, stepping, motor	89-2703-29	Consult
20	66359	Gear, stepping motor	89-2777-15	Consult
21	66360	Gear, print roller	89-2705-17	Consult
22	66361	Motor, label rewind	89-2997-18	Consult
23	66362	Bracket, printhead release	89-2713-26	Consult
24	66363	Bracket, frame, printhead	89-2707-23	Consult
25	45145	Step, screw, pan	36-0942-00	Consult
26	66364	Bracket, printhead lock	89-2709-11	Consult
27	66365	Bracket, printhead	89-2710-16	Consult
28	45203	Spring, coil, compressive	00-6375-09	Consult
29	45237*	Printhead, thermal	36-2636-16	Consult
--	48239	Screw, button head, M3x6, printhead mount	00-0438-08	Consult
30	66366	Cable, printhead	89-2534-08	Consult
31	45222	Shaft, lock	49-6373-12	Consult
32	45206	Spring, coil, tension	00-6377-06	Consult
33	45221	Shaft, fulcrum	00-6168-04	Consult
34	45188	Threaded rod, round, FF	36-2507-00	Consult
35	45201	Guide, label, outside	20-2507-00	Consult
36	45223	Threaded rod, round, FF	00-6173-03	Consult
37	66367	Guide, label, inside	89-2861-06	Consult
38	66368	Bushing, right, print roller	89-2776-21	Consult
39	66369	Roller, printer	89-2704-13	Consult
40	66370	Bushing, left, print roller	89-2706-01	Consult
41	66371	Plate, label	89-2702-25	Consult
42/43	105437	Label take-up kit, reel and lever (without screws)		Consult
44	66374	Label press	89-2774-23	Consult
45	66375	Screw, set screw, M3x6	89-2860-02	Consult
46	66376	Guide, label lever	89-2858-04	Consult
47	66377	Reel, label supply	89-2778-19	Consult
48	66378	Reel, label supply holder	89-2830-01	Consult
49	66379	Bracket, load cell	89-2695-22	Consult
50	44414 †	Load cell, C2G1-25K	89-0643-03	Consult
51	44410	Platter support	89-1884-08	Consult
52	44406	Rubber, platter support	89-1631-11	Consult

* Same as Ishida 3000 Series

† Same as Ishida Nova-II (30 lb)

(See Diagram Astra-B)

Retail Scales



Astra-B

RETAIL

Ishida Astra

Pole Display Model



Part Number/Price

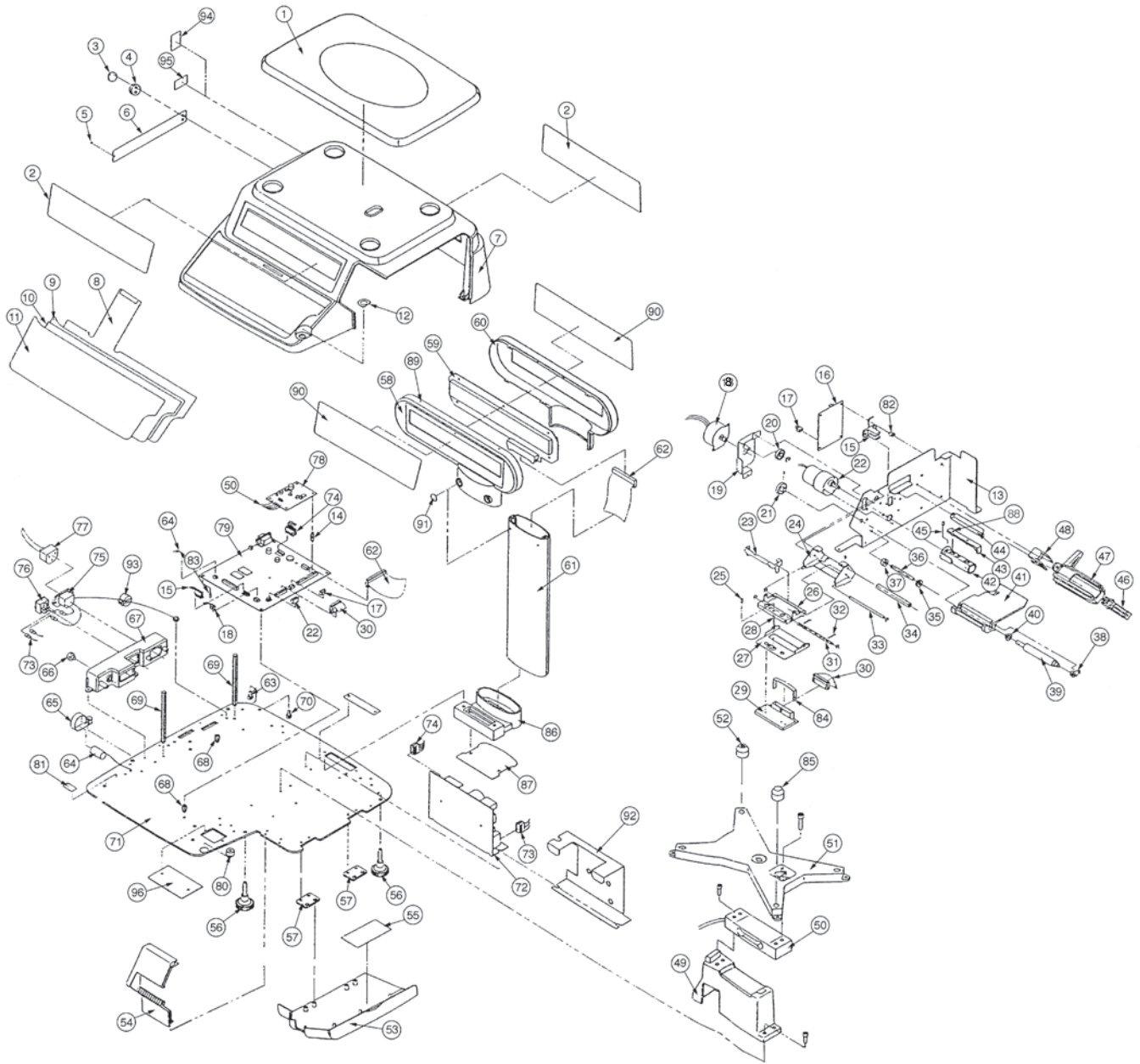
Ref#	Part#	Description	Synonym	Price
53	66380	Cover, printer door	89-2690-06	Consult
54	66381	Cover, front, printhead	89-2691-19	Consult
55	66382	Sticker, label roll loading	89-2854-00	Consult
56	68946	Leg, adjusting	89-3059-09	Consult
57	66383	Hinge, printer door	89-2694-29	Consult
58	68947	Case, front	89-3054-01	Consult
59	68948	PWB, display	89-3064-08	Consult
60	68949	Case, rear	89-3055-04	Consult
61	68950	Pole stand	89-3310-04	Consult
62	68945	Harness, S2, display	89-3105-07	Consult
63	45128	Screw, sealing, brass	00-6609-00	Consult
64	66388	Battery	89-2827-09	Consult
65	66390	Clamp, battery	89-2678-01	Consult
66	44474	Screw, sealing, nylon	89-2025-09	Consult
67	66391	Bracket, case, connector	89-2693-25	Consult
68	66392	Standoff, main board	89-2699-18	Consult
69	66393	Standoff, overload	89-2700-00	Consult
70	66394	Screw, sealing, brass, self tapping	89-2832-08	Consult
71	68953	Base, base plate	89-2688-53	Consult
72	77975	Power supply, switching, SWD100P	102-9575-06	Consult
--	77889	Fuse, power supply, 5A, 250V, 5x20		Consult
73	66396	Cable, C3, power	89-2786-00	Consult
74	47073	Harness, S2, PS	47-3677-19	Consult
75	66397	Socket assembly, C4, power cord	89-2785-24	Consult
76	66398	Switch, power	89-0349-17	Consult
77	15438	Power cord		Consult
78	66399	Board, A/D, PK-219	89-2637-08	Consult
79	66400	Board, main, PK-220A	89-6391-07	Consult
80	44425	Level, Unit	89-0914-02	Consult
81	Consult	Sticker, caution		Consult
82	66419	Standoff, DC/DC converter	89-2859-08	Consult
83	66420	Standoff, mainboard	89-2677-07	Consult
84	66401	Clip retainer, printhead	89-2973-28	Consult
85	66402	Rubber, plate support, solid	89-3006-01	Consult
86	68952	Bracket, pole	89-3056-08	Consult
87	68951	Cover, bracket	89-3321-05	Consult
88	44424	Plate A (Obsolete)	89-0665-05	Consult
89	45174	Push rivet (Obsolete)	36-3442-05	Consult
90	66344	Sheet, display panel	89-2843-18	Consult
91	46950	Cap	40-1374-03	Consult
94	Consult	UL sticker	89-2798-04	Consult
96	Consult	Plate A, module	89-3414-08	Consult
97	42714	Screw, pan head tapping, M4 x 8	00-0442-03	Consult
98	42735	Sealing stamp	22-3922-02	Consult

* Same as Ishida 3000 Series

† Same as Ishida Nova-II (30lb)

(See Diagram Astra-B)

Retail Scales



Astra-B

RETAIL

Ishida Astra II

Bench

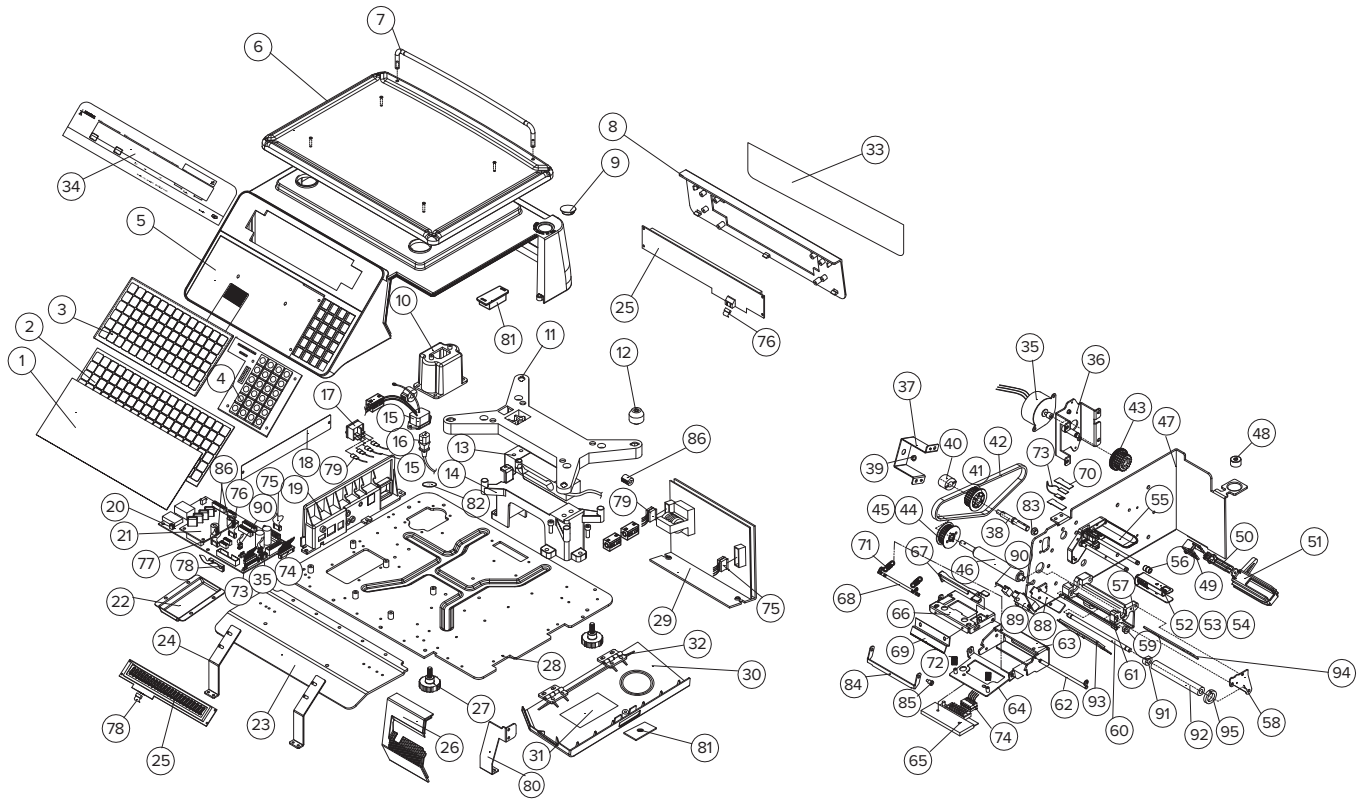


Part Number/Price

Ref #	Part #	Description	Synonym	Price
1	169722	Sheet, keyboard, transparent	000-901-2366-10	Consult
2	169723	Edit-keysheet	000-901-3806-06	Consult
3	169724	Membrane keypad	000-901-2364-03	Consult
—	170916	Keysheet, operation insert		Consult
4	169725	PWB, PS-068, tactile keys	000-901-2456-02	Consult
5	181179	Case	000-901-3796-02	Consult
6	169727	Platter	000-900-9218-10	Consult
7	169728	Guard	000-900-9217-07	Consult
8	181183	Cover, customer	000-901-3808-03	Consult
9	102812	Lens	000-900-1056-14	Consult
10	Consult	Support, power outlet	000-901-3795-09	Consult
11	Consult	Plate, support	000-900-0014-23	Consult
12	44406	Rubber, platter support, 1	000-900-0016-49	Consult
13	80963	Load cell, 30 lb, C2G1-25K-S18	000-900-2490-11	Consult
14	Consult	Base	000-900-9201-17	Consult
15	80969	Harness, C4, power	000-900-2842-37	Consult
16	80991	Power cord	000-900-3335-11	Consult
17	66398	Switch	000-900-0305-09	Consult
19	Consult	Cover, connector	000-901-3797-06	Consult
20	169730	PWB, PS-990, G-2 2M, CPU board	000-901-2410-11	Consult
21	169729	PWB, PS-067, A/D board	000-901-2446-14	Consult
22	169731	Cover, base	000-901-1298-07	Consult
23	Consult	Base, 02	000-901-2301-18	Consult
24	Consult	Bracket, display	000-901-1291-01	Consult
25	169783	Display, LCD	000-901-3971-08	Consult
26	169733	Cover, printer, front	000-901-3798-00	Consult
27	79432	Foot, level	000-900-0025-15	Consult
28	Consult	Base, 01	000-901-2300-05	Consult
29	107707	Power supply, LFS100-24	000-089-5503-03	Consult
30	169734	Cover, printer, side	000-901-3799-03	Consult
31	169735	Nameplate, printer	000-901-3973-14	Consult
32	66383	Hinge	000-900-4296-03	Consult
33	192538	Sheet, display	Consult	Consult
34	192537	Sheet, display	Consult	Consult
35	179441	Motor, stepping, 49P048LO-00702	000-901-3866-19	Consult
36	Consult	Bracket, motor	000-901-1295-24	Consult
37	Consult	Bracket, 01	000-901-1296-37	Consult
38	Consult	Axis, rewind	000-901-2397-33	Consult
39	Consult	Bush	000-901-4481-03	Consult
40	Consult	Bush, OLTC6-1500C	000-901-4494-01	Consult
41	179442	Gear, rewind	000-901-2360-36	Consult
42	179443	Timing belt, 3M-HTD-330	000-901-2435-04	Consult
43	179444	Gear, dual	000-901-2357-07	Consult
44	179445	Gear, drive	000-901-2358-01	Consult
45	179446	Cover, gear, drive	000-901-2359-04	Consult
46	169737	Roller, rubber	000-901-0040-00	Consult
47	Consult	Frame, printer	000-901-1293-36	Consult
	66394	Seal screw		Consult

Retail Scales

RETAIL
Ishida Astra II
 Bench



Retail Scales

RETAIL

Ishida Astra II

Bench

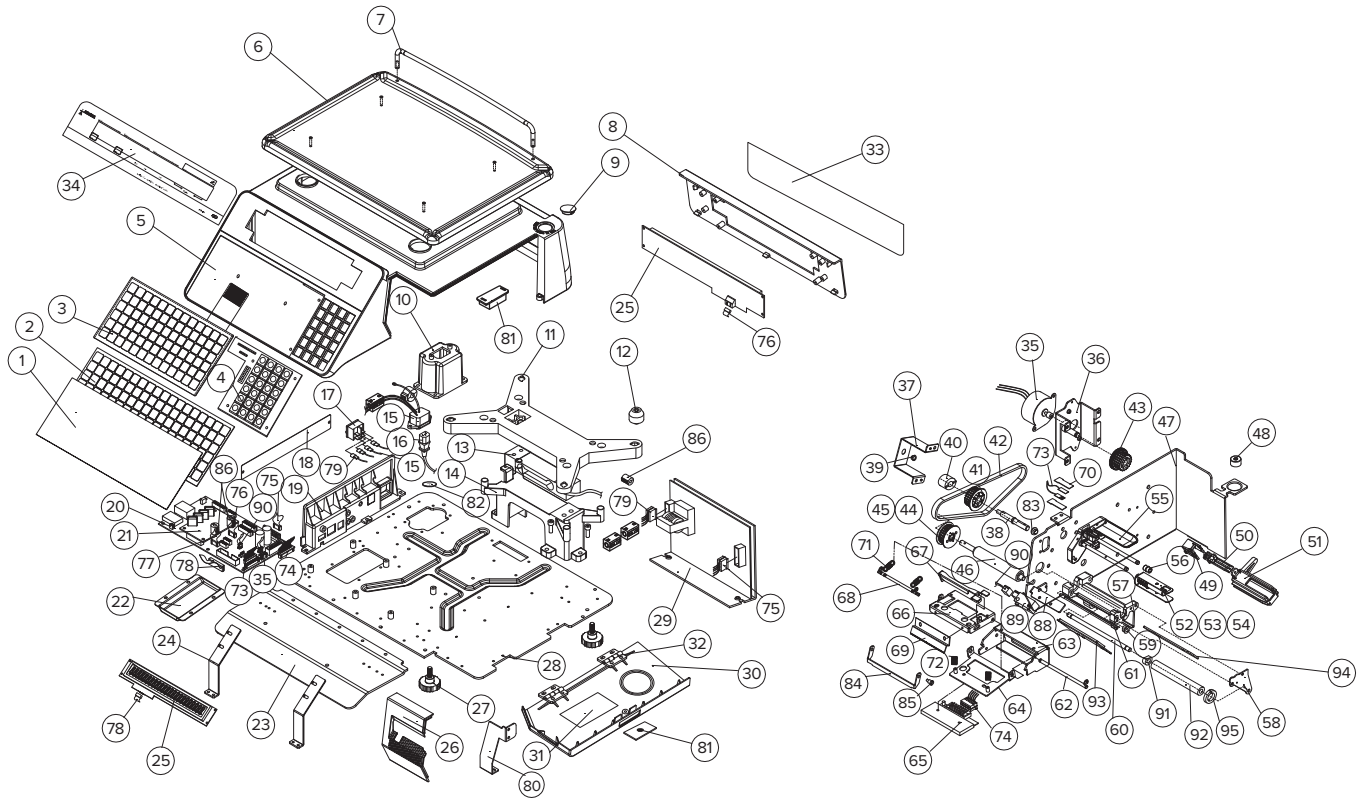


Part Number/Price

Ref #	Part #	Description	Synonym	Price
48	44425	Level unit	000-900-5727-05	Consult
49	66378	Holder, guide, label	000-089-2830-01	Consult
50	66376	Lever, guide, label	000-089-2858-04	Consult
51	Consult	Holder, label	000-089-6667-04	Consult
52	185465	Bracket	000-901-4499-19	Consult
53	185467	Spring, bobbin	000-900-6740-08	Consult
54	185468	Shaft, bobbin	000-900-8333-20	Consult
55	Consult	Support, NL	000-900-9359-11	Consult
56	Consult	Axle bush	000-900-9361-10	Consult
57	Consult	Support, roll, NL	000-900-9358-36	Consult
58	Consult	Cover, NL	000-900-9360-25	Consult
59	66370	Bush, left	000-900-0894-06	Consult
60	Consult	Axis, 01	000-900-9363-17	Consult
61	Consult	Axis, 02	000-901-3774-01	Consult
62	45221	Shaft, 1	000-900-0844-19	Consult
63	192246	Frame, head	000-900-9205-39	Consult
64	191529	Bracket, head	000-900-9206-16	Consult
65	119169	Thermal head, CHX56-8359	000-901-5061-06	Consult
66	192247	Bracket, lock	000-900-9207-37	Consult
67	177790	Bracket, push	000-900-9208-03	Consult
68	188153	Axis, hold	000-900-9223-00	Consult
69	188153	Tear bar	000-900-6722-01	Consult
70	Consult	Bracket, sensor	000-900-9364-01	Consult
71	45203	Spring coil, 1	000-900-0848-04	Consult
72	45206	Tension spring	000-900-0849-08	Consult
73	104832	Label sensor assembly	000-900-5225-02	Consult
73.1	Consult	Harness, C5, label sensor	000-900-0989-06	Consult
73.2	Consult	LED IR928 6C	000-900-2127-00	Consult
73.3	Consult	Photo TR PT928 6B	000-900-2128-03	Consult
74	104267	Harness, S2, thermal head	000-900-2840-21	Consult
75	47073	Harness, S2, power	000-900-0286-11	Consult
76	170778	Harness, C3, display	000-901-2444-08	Consult
77	170779	Harness, S2, display	000-901-2399-03	Consult
78	170780	Harness, S2, keyboard	000-901-2312-19	Consult
79	66396	Harness, C3, power	000-900-2841-06	Consult
80	Consult	Bracket, printer	000-901-1292-05	Consult
81	Consult	Bracket, magnet	000-901-5062-00	Consult
82	Consult	Label, GND cord	000-900-1338-05	Consult
83	Consult	Bush, CSB-EPBF-0608-04	000-901-3953-01	Consult
84	Consult	Bracket, cutter	000-901-3781-07	Consult
85	Consult	Screw, cutter	000-901-3960-25	Consult
86	Consult	Ferrite, core	000-900-0730-09	Consult
88	193312	Bracket, peel sensor	000-901-5065-01	Consult
89	179447	Photo interrupter, reflector	000-078-0604-01	Consult
90	Consult	Harness, peel sensor, L-160MM	000-901-5063-03	Consult
91	Consult	Bush	000-901-4488-09	Consult
92	Consult	Shaft, POM	000-901-4487-05	Consult
93	Consult	Bracket, peel off	000-901-4484-13	Consult
94	Consult	Bracket, fixed	000-901-4485-17	Consult
95	Consult	Label guide	000-901-4486-01	Consult
96	Consult	Magnet	000-901-3743-05	Consult
97	Consult	Bracket, base cover	000-901-1297-01	Consult

Retail Scales

RETAIL
Ishida Astra II
 Bench



Retail Scales

RETAIL

Ishida Astra II Pole



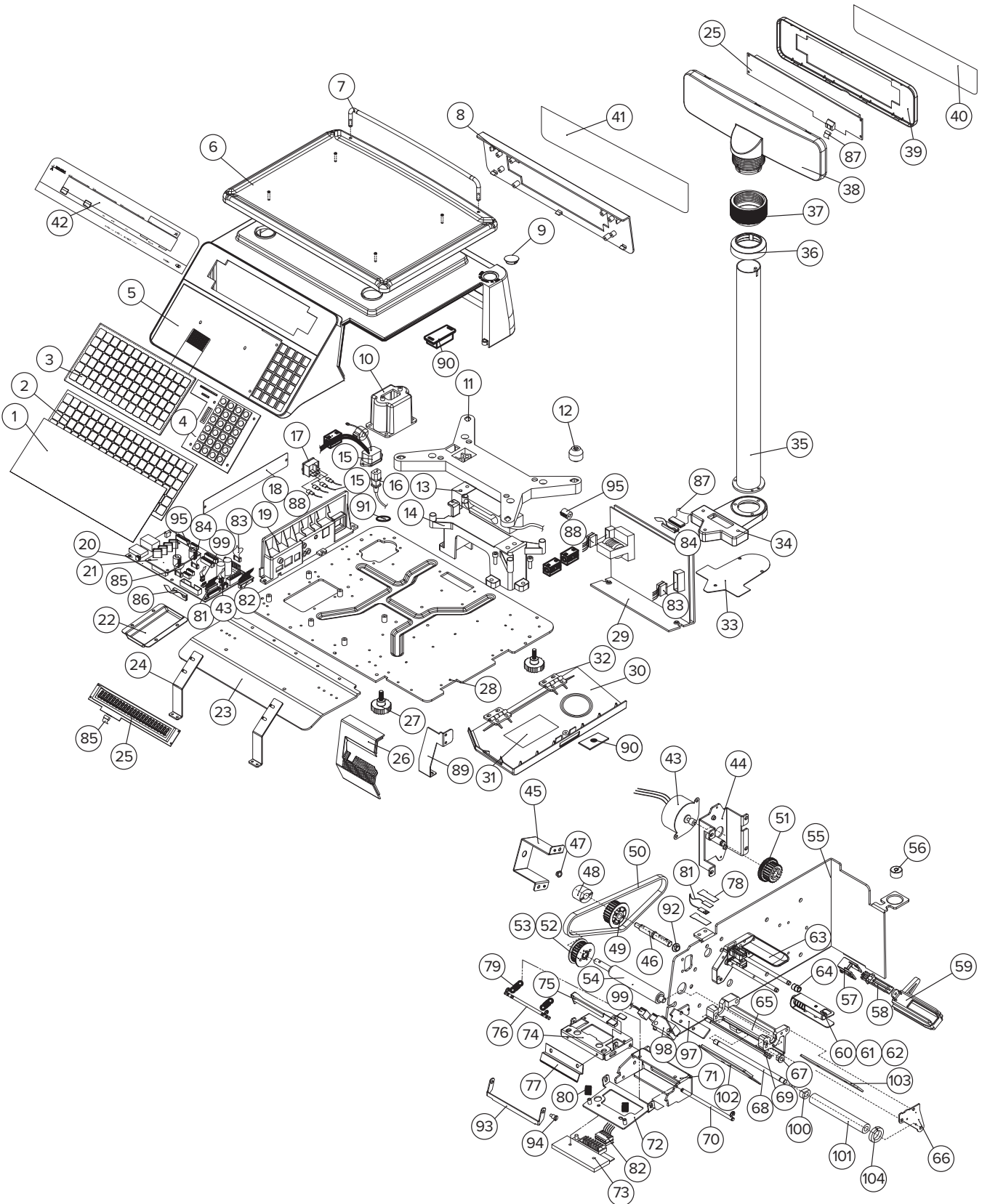
Part Number/Price

Ref #	Part #	Description	Synonym	Price
1	169722	Sheet, keyboard, transparent	000-901-2366-10	Consult
2	169723	Edit-keysheet	000-901-3806-06	Consult
3	169724	Membrane keypad	000-901-2364-03	Consult
—	170916	Keysheet, operation insert		Consult
4	169725	PWB, PS-068, tactile keys	000-901-2456-02	Consult
5	181179	Case	000-901-3796-02	Consult
6	169727	Platter	000-900-9218-10	Consult
7	169728	Guard	000-900-9217-07	Consult
8	181183	Cover, customer	000-901-3808-03	Consult
9	102812	Lens	000-900-1056-14	Consult
10	Consult	Support, power outlet	000-901-3795-09	Consult
11	Consult	Plate, support	000-900-0014-23	Consult
12	44406	Rubber, platter support, 1	000-900-0016-49	Consult
13	80963	Load cell, 30 lb, C2G1-25K-S18	000-900-2490-11	Consult
14	Consult	Base	000-900-9201-17	Consult
15	80969	Harness, C4, Power	000-900-2842-37	Consult
16	80991	Power cord	000-900-3335-11	Consult
17	66398	Switch	000-900-0305-09	Consult
19	Consult	Cover, connector	000-901-3797-06	Consult
20	169730	PWB, PS-990, G-2 2M, CPU board	000-901-2410-11	Consult
21	169729	PWB, PS-067, A/D board	000-901-2446-14	Consult
22	169731	Cover, base	000-901-1298-07	Consult
23	Consult	Base, 02	000-901-2301-18	Consult
24	Consult	Bracket, display	000-901-1291-01	Consult
25	169783	Display, LCD	000-901-3971-08	Consult
26	169733	Cover, printer, front	000-901-3798-00	Consult
27	79432	Foot level	000-900-0025-15	Consult
28	Consult	Base, 01	000-901-2300-05	Consult
29	107707	Power supply, LFS100-24	000-089-5503-03	Consult
30	169734	Cover, printer, side	000-901-3799-03	Consult
31	169735	Nameplate, printer	000-901-3973-14	Consult
32	66383	Hinge	000-900-4296-03	Consult
33	Consult	Bracket, pole base	000-901-2361-02	Consult
34	Consult	Pole base	000-901-2356-12	Consult
35	Consult	Pole	000-901-3782-10	Consult
36	Consult	Cover, pole base	000-901-3809-07	Consult
37	Consult	Lock nut, UNI-3	000-901-3811-05	Consult
38	Consult	Case, display, B	000-901-3812-09	Consult
39	Consult	Case, display, F	000-901-3810-01	Consult
40	192539	Sheet, display	Consult	Consult
41	Consult	Panel, display	000-901-3805-02	Consult
42	192537	Sheet, display	Consult	Consult
43	179441	Motor, stepping, 49P048LO-00702	000-901-3866-19	Consult
44	Consult	Bracket, motor	000-901-1295-24	Consult
45	Consult	Bracket, 01	000-901-1296-37	Consult
46	Consult	Axis, rewind	000-901-2397-33	Consult
47	Consult	Bush	000-901-4481-03	Consult
48	Consult	Bush, OLTC6-1500C	000-901-4494-01	Consult
49	179442	Gear, rewind	000-901-2360-36	Consult
50	Consult	Timing belt, 3M-HTD-330	000-901-2435-04	Consult
51	179444	Gear, dual	000-901-2357-07	Consult
52	179445	Gear, drive	000-901-2358-01	Consult
53	179446	Cover, gear, drive	000-901-2359-04	Consult

Retail Scales

Ishida Astra II

Pole



Retail Scales

RETAIL

Ishida Astra II

Pole



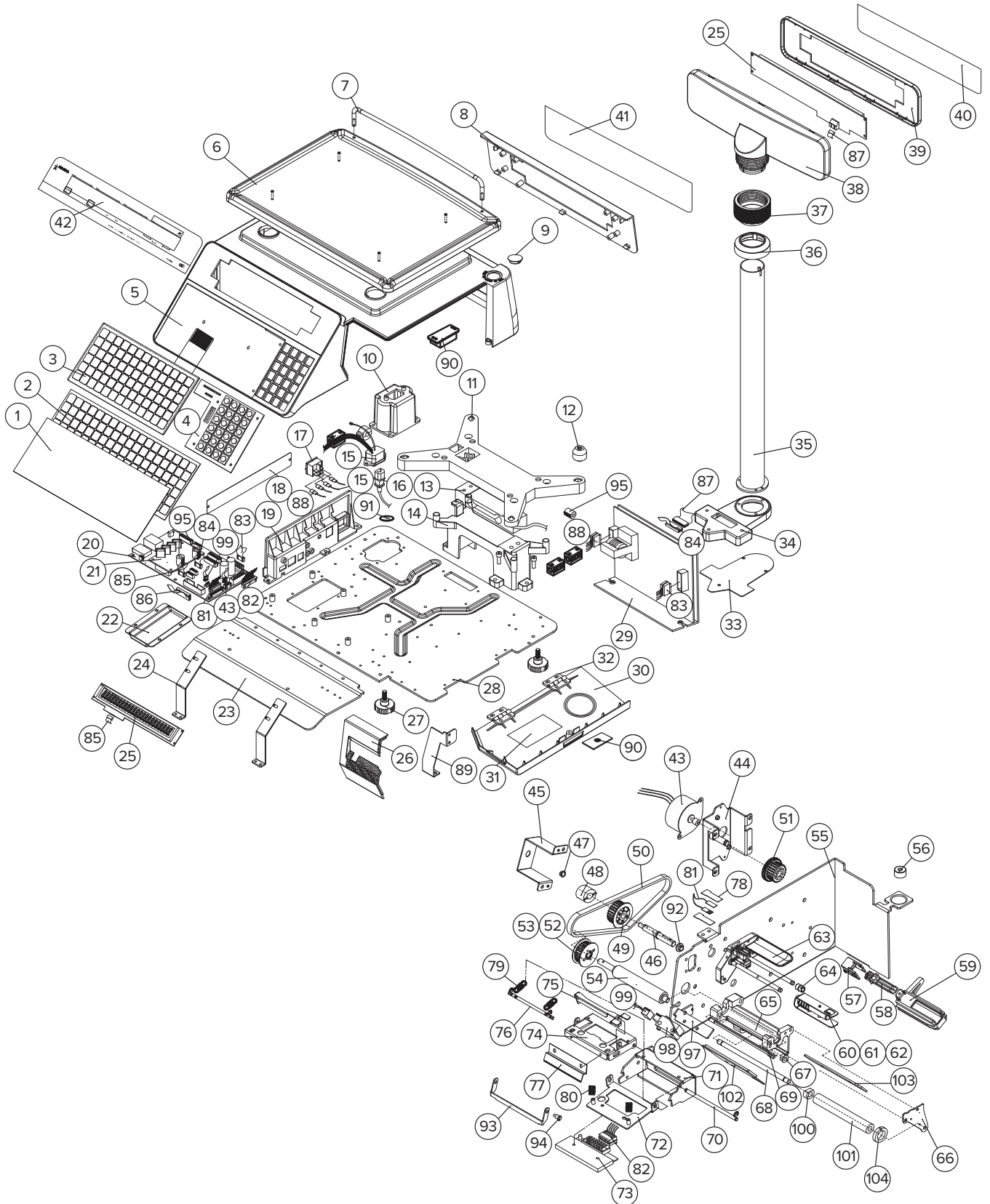
Part Number/Price

Ref #	Part #	Description	Synonym	Price
54	169737	Roller, rubber	000-901-0040-00	Consult
55	Consult	Frame, printer	000-901-1293-36	Consult
56	44425	Level unit	000-900-5727-05	Consult
57	66378	Holder, guide, label	000-089-2830-01	Consult
58	66376	Lever, guide, label	000-089-2858-04	Consult
59	Consult	Holder, label	000-089-6667-04	Consult
60	185465	Bracket	000-901-4499-19	Consult
61	185467	Spring, bobbin	000-900-6740-08	Consult
62	185468	Shaft, bobbin	000-900-8333-20	Consult
63	Consult	Support, NL	000-900-9359-11	Consult
64	Consult	Axle bush	000-900-9361-10	Consult
65	Consult	Support, roll, NL	000-900-9358-36	Consult
66	Consult	Cover, NL	000-900-9360-25	Consult
67	66370	Bush, left	000-900-0894-06	Consult
68	Consult	Axis, 01	000-900-9363-17	Consult
69	Consult	Axis, 02	000-901-3774-01	Consult
70	45221	Shaft, 1	000-900-0844-19	Consult
71	192246	Frame, head	000-900-9205-39	Consult
72	191529	Bracket, head	000-900-9206-16	Consult
73	119169	Thermal head, CHX56-8359	000-901-5061-06	Consult
74	192247	Bracket, lock	000-900-9207-37	Consult
75	177790	Bracket, push	000-900-9208-03	Consult
76	Consult	Axis, hold	000-900-9223-00	Consult
77	188153	Tear bar	000-900-6722-01	Consult
78	Consult	Bracket, sensor	000-900-9364-01	Consult
79	45206	Tension spring	000-900-0849-08	Consult
80	45203	Spring coil, 1	000-900-0848-04	Consult
81	104832	Label sensor assembly	000-900-5225-02	Consult
81.1	Consult	Harness, C5, label sensor	000-900-0989-06	Consult
81.2	Consult	LED IR928 6C	000-900-2127-00	Consult
81.3	Consult	Photo TR PT928 6B	000-900-2128-03	Consult
82	104267	Harness, S2, Thermal head	000-900-2840-21	Consult
83	47073	Hareness, S2, power	000-900-0286-11	Consult
84	Consult	Harness, C3, display	000-901-2400-04	Consult
85	170779	Harness, S2, display	000-901-2399-03	Consult
86	170780	Harness, S2, keyboard	000-901-2312-19	Consult
87	Consult	Harness, S2, display LCD	000-900-9255-18	Consult
88	66396	Harness, C3, power	000-900-2841-06	Consult
89	Consult	Bracket, printer	000-901-1292-05	Consult
90	Consult	Bracket, magnet	000-901-5062-00	Consult
91	Consult	Label, GND core	000-900-1338-05	Consult
92	Consult	Bush, CSB-EPBF-0608-04	000-901-3953-01	Consult
93	Consult	Bracket, cutter	000-901-3781-07	Consult
94	Consult	Screw, cutter	000-901-3960-25	Consult
95	Consult	Ferrite, core	000-900-0730-09	Consult
97	193312	Bracket, peel sensor	000-901-5065-01	Consult
98	179447	Photo interrupter, reflector	000-078-0604-01	Consult
99	Consult	Harness, peel sensor, L-160MM	000-901-5063-03	Consult
100	Consult	Bush	000-901-4488-09	Consult
101	Consult	Shaft, POM	000-901-4487-05	Consult
102	Consult	Bracket, peel off	000-901-4484-13	Consult
103	Consult	Bracket, fixed	000-901-4485-17	Consult
104	Consult	Label guide	000-901-4486-01	Consult
105	Consult	Magnet	000-901-3743-05	Consult

Retail Scales

Ishida Astra II

Pole



Retail Scales

