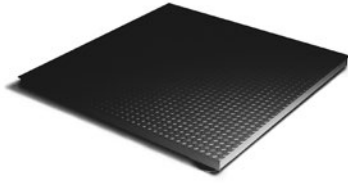


Floor Scales

TABLE OF CONTENTS

ROUGHDECK® HP, HP-H AND HC	90
ROUGHDECK® CS	91
ROUGHDECK® SS	92
ROUGHDECK® HE	93
AUTOLIFT HE	94
<i>Pneumatic Lift Scale</i>	
AUTOLIFT HE	95
<i>Pneumatic Control Box</i>	
AUTOLIFT HE	96
<i>Pneumatic Lift Scale</i>	
ROUGHDECK® QC-X	97
<i>4 x 4 Scale</i>	
ROUGHDECK® QC-X	98
<i>5 x 5 Scale</i>	
ROUGHDECK® QC QUICK CLEAN	99
<i>Stainless Steel</i>	
ROUGHDECK® SD	100
MILD STEEL ROUGHDECK® BDP PORTABILITY SCALE AND FRAME PARTS	102
STAINLESS STEEL ROUGHDECK® BDP PORTABILITY SCALE AND FRAME PARTS	103
DECKHAND PORTABLE SCALE	104
<i>Mild Steel</i>	
DECKHAND PORTABLE SCALE	106
<i>Stainless Steel</i>	
RL1200 PORTABLE BEAM SCALE	108
<i>Beam and Column Assembly</i>	
ROUGHDECK® FXB	110
<i>Mild Steel</i>	
ROUGHDECK® FXB	112
<i>Mild Steel Parts Kit and Hardware</i>	
ROUGHDECK® FXB-SS	114
<i>Stainless Steel</i>	
ROUGHDECK® FXB-SS	116
<i>Stainless Steel Parts Kit and Hardware</i>	
SUMMIT 3000	118

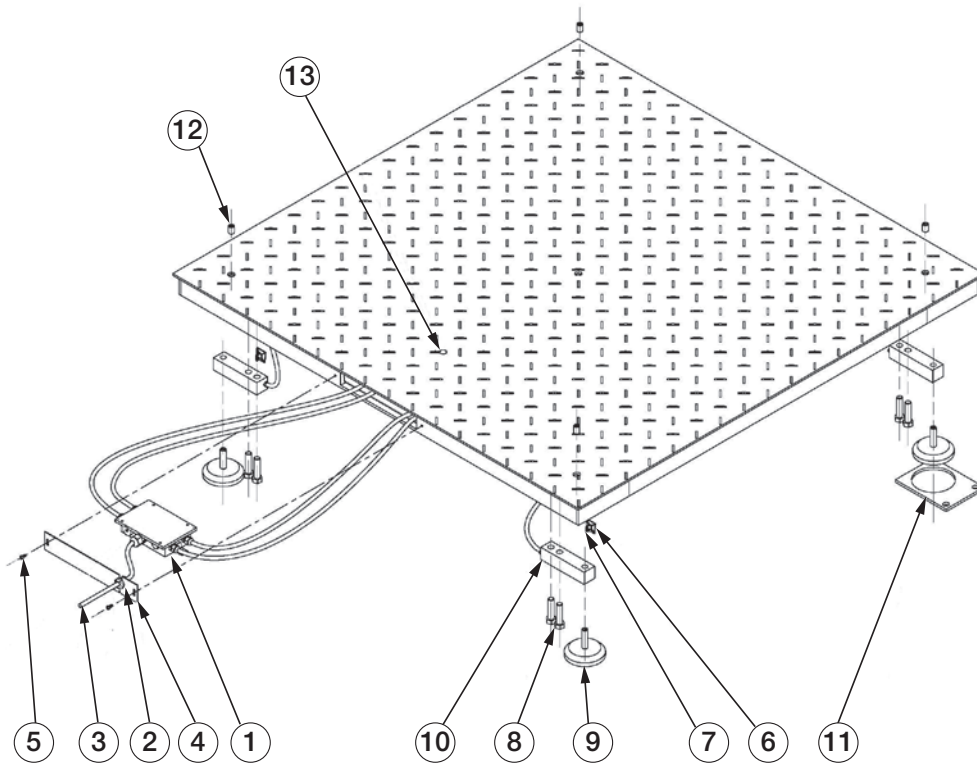
RoughDeck® HP, HP-H and HC



Part Number/Price

Ref#	Part#	Description	Price
1	88956	Junction box, NEMA Type 4X, 4 channel, signal trim	Consult
1	91895	Cable assembly, 17 in female quick connector (for scales with quick connector)	Consult
2	66454	Strain relief fitting	Consult
3	15611	Cable, 6-wire, 20 ft (blunt ends)	Consult
3	53640	Cable assembly, 20 ft with male quick connector (for scales with quick connector)	Consult
4	92437	Junction box face plate	Consult
5	14877	Junction box face plate screw	Consult
6	15658	Cable tie mount, 1 in square	Consult
7	15631	Cable ties, 3 in	Consult
8	15071	Load cell screw (HP/HC models)	Consult
8	40337	Load cell screw (HP-H models)	Consult
9	18756	Foot assembly (HP/HC models), 1/2-20NF x 3.47	Consult
9	39021	Foot assembly (20 k HP-H models)	Consult
9	39022	Foot assembly (30 k HP-H models)	Consult
10	189152	Load cell, RL32018-1000 lb (1,000 lb/500 kg & 2,000 lb/1,000 kg scale)	Consult
10	189154	Load cell, RL32018-2500 lb (5,000 lb/2,500 kg scale)	Consult
10	189156	Load cell, RL32018-4000 lb (10,000 lb/5,000 kg scale)	Consult
10	189159	Load cell, RL32018-10,000 lb (20,000 lb & 30,000 lb scales)	Consult
11	18777	Mounting plate, HP and HC models, set of two plates	Consult
11	40387	Mounting plate, 20 k HP-H models, set of two plates	Consult
11	40388	Mounting plate, 30 k HP-H models, set of two plates	Consult
12	15051	Overload stops (HC models)	Consult
13	15410	Bubble level (HC models)	Consult
—	14957	Top access screws, HP models	Consult
—	15022	Top access screws, HP-H models	Consult

(See Diagram RoughDeck HP-B)
 HC scales are Measurement Canada approved



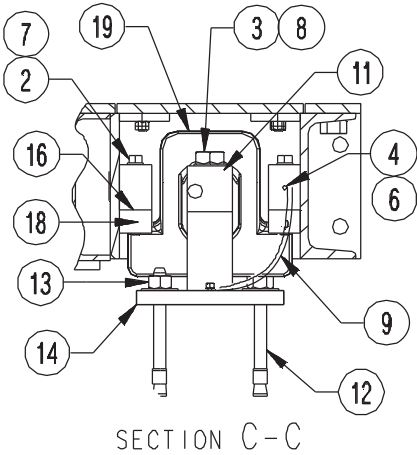
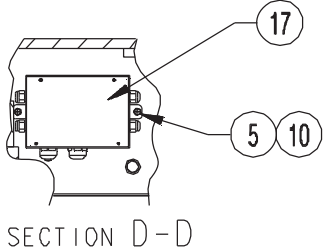
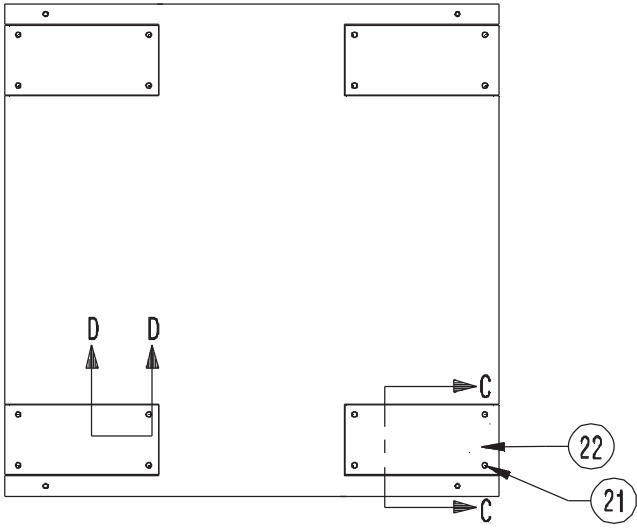
RoughDeck HP-B

Part Number/Price

Ref#	Part#	Description	Price
1	120662	Pocket End Plate	Consult
2	14765	Bolt, 1/2-13 NC x 4 in, LG hex head	Consult
3	37888	Bolt, 1-12 NC x 4 in, hex head	Consult
4	14886	Machine screw 1/4-28 UNF x 1/2 LG	Consult
5	15139	Lockwasher # 10	Consult
6	15147	Washer, lock 1/4 in regular	Consult
7	15167	Washer, lock 1/2 in regular	Consult
8	15184	Washer, 1 in plain	Consult
9	17778	Ground strap, 12 in	Consult
10	21974	Mach screw, 10 - 32NF x 5/8 in LG panhead	Consult
11	34317	Load cell, RL75058-50 k (for 40,000 lb or 60,000 lb scale)	Consult
11	34319	Load cell, RL75058-75 k (for 80,000 lb scale)	Consult
12	41973	Concrete anchor	Consult
13	43413	Nut, 3/4 - 10 NC heavy hex	Consult
14	108504	Base Wldt, 75 k capacity	Consult
16	67294	Shim plate, 1/8 in	Consult
17	107700	J-box TuffSeal, SST	Consult
18	107412	Mount load plate	Consult
19	108503	Rocker link, machined 75 k	Consult
20	67291	Shim plate, 1/16 in	Consult
21	15058	Screw 1/2 - 13 NC x 1 - 1/2 flat head SST	Consult
22	108398	Load cell, pocket cover	Consult
	15611	Cable, EL147HE 20 ft	Consult



(See Diagram RoughDeck-CS)



LOAD CELL OPTION:
 40K & 60K USE (4 EA.) PART #34317
 80K USE (4 EA.) PART #34319

RoughDeck-CS

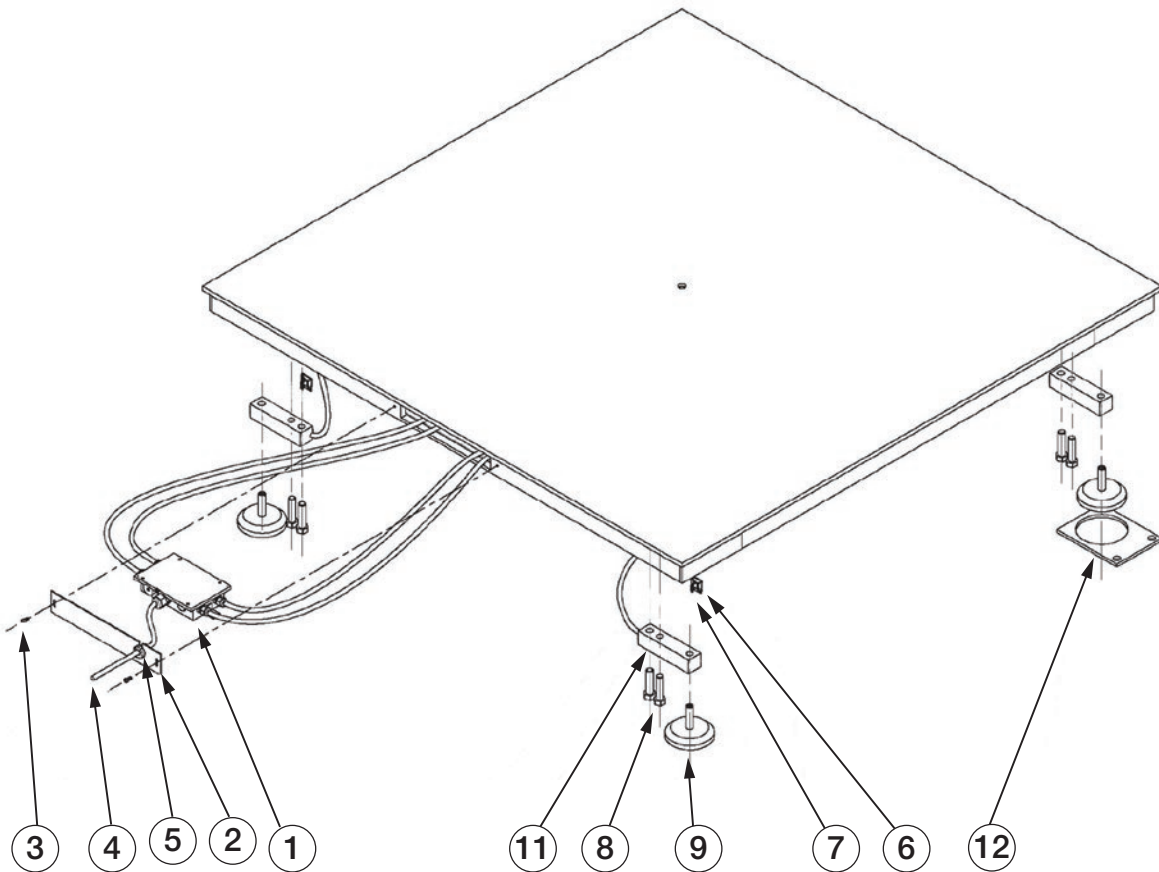
RoughDeck® SS



Part Number/Price

Ref#	Part#	Description	Price
1	88956	Junction box, NEMA Type 4X, 4-channel, signal trim	Consult
2	92439	Junction box faceplate	Consult
3	14877	Junction box faceplate screw	Consult
4	15611	Cable, EL147HE 6-wire, 20 ft	Consult
5	66454	Strain relief fitting	Consult
6	15658	Cable tie mount, 1 in square	Consult
7	15631	Cable tie, 3 in	Consult
8	15075	Load cell screw	Consult
9	18756	Foot assembly	Consult
11	189164	RL35023S 1,000 lb (1,000 lb/500 kg & 2,000 lb/1,000 kg scale)	Consult
11	189166	RL35023S 2,500 lb (5,000 lb/2,500 kg scale)	Consult
11	189167	RL35023S 4,000 lb (10,000 lb/5,000 kg scale)	Consult
12	18778	Mounting plate, stainless steel (set of two plates)	Consult
—	14960	Top access screws	Consult

(See Diagram RoughDeck SS-A)



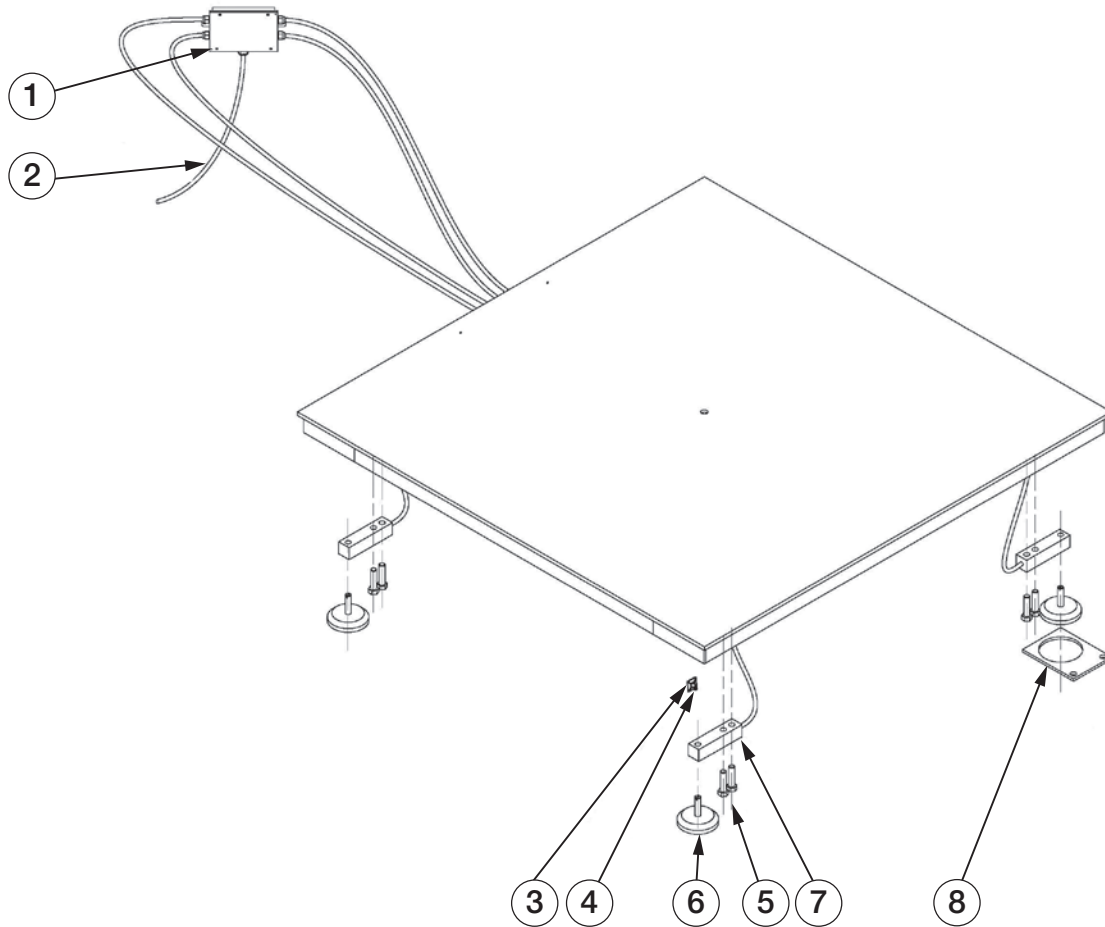
RoughDeck SS-A

Part Number/Price

Ref#	Part#	Description	Price
1	88956	Junction box, NEMA Type 4X, 4-channel signal trim	Consult
2	15611	Cable, EL147HE 6-wire, 20 ft	Consult
3	15658	Cable tie mount, 1 in square	Consult
4	15631	Cable tie, 3 in	Consult
5	46258	Load cell screw	Consult
6	18756	Foot assembly	Consult
7	106039	Load cell, RLH35 1,000 lb (2,000 lb/1,000 kg scale)	Consult
7	106040	Load cell, RLH35 2,500 lb (5,000 lb/2,500 kg scale)	Consult
7	106041	Load cell, RLH35 4,000 lb (10,000 lb/5,000 kg scale)	Consult
8	18778	Mounting plate, stainless steel (set of two plates)	Consult
—	51809	Plate with four cord grips	Consult
—	92439	Plate with 1 hole designed to work with strain relief	Consult
—	66454	Strain relief	Consult
—	14960	Top access screws	Consult



(See Diagram RoughDeck HE-A)



RoughDeck HE-A

Floor Scales

FLOOR SCALES

AutoLift HE

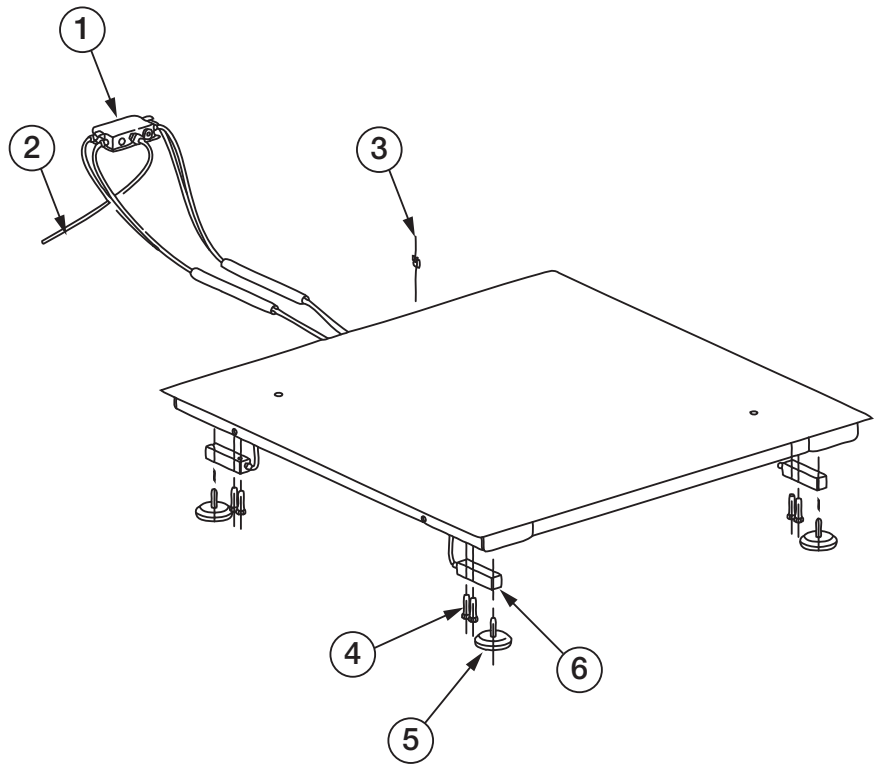
Pneumatic Lift Scale



Part Number/Price

Ref#	Part#	Description	Price
1	88956	Junction box, NEMA Type 4X, 4-channel, signal trim	Consult
2	15611	Cable, 6-wire, junction box to indicator	Consult
3	16141	Cable ties, 8 in (at back of assembly)	Consult
4	46258	Load cell screw	Consult
5	18756	Foot assembly	Consult
6	106039	Load cell, RLH35 1,000 lb (2,000 lb scale)	Consult
6	191635	Load cell, RLH35 2,500 lb (5,000 lb scale)	Consult
6	106041	Load cell, RLH35 4,000 lb (10,000 lb scale)	Consult

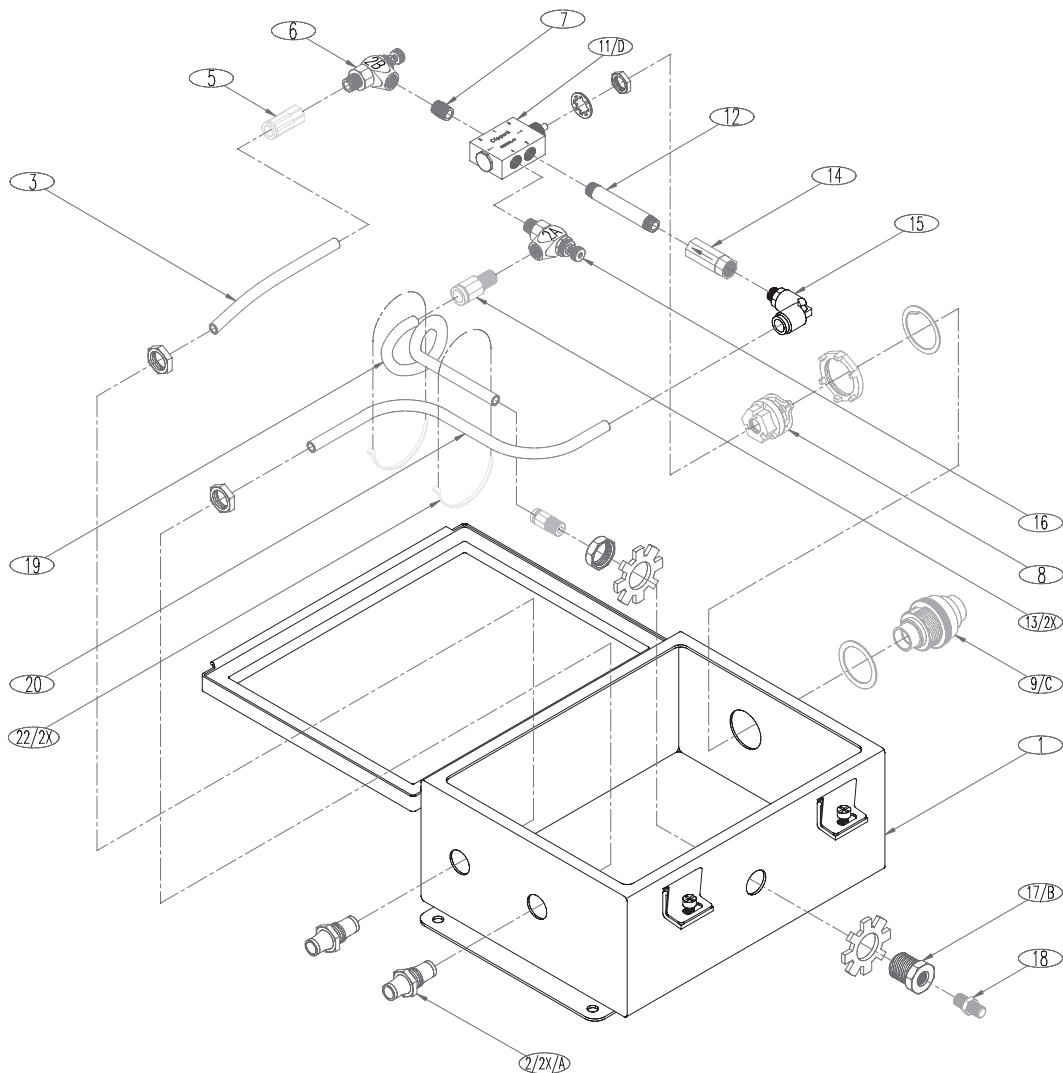
(See Diagram AutoLift HE-A)



Part Number/Price

Ref#	Part#	Description	Price
1	42285	Enclosure, pneumatic	Consult
2	44175	Bulkhead connector, 5/16	Consult
3	42260	Tubing, clear polyurethane	Consult
5	42282	Fitting, 1/8 female	Consult
6	42281	Adjustable flow control	Consult
7	42268	Brass nipple, 1/8 NPT x 3/4 in	Consult
8	42280	Valve adapter, pushbutton	Consult
9	42279	Pushbutton, acuator, key	Consult
11	42277	Control valve, three way spool	Consult
12	42276	Brass nipple, 1/8 NPT x 2 in	Consult
13	42275	Fitting, 1/8 male straight	Consult
14	42274	Check valve, poppet type	Consult
15	42273	Fitting, 1/8 male elbow	Consult
16	42272	Adjustable flow control	Consult
17	42271	Fitting, 1/8 NPT bulkhead	Consult
18	42270	Muffler, 1/8 NPT porous	Consult
19	42259	Tubing, clear polyurethane	Consult
20	42258	Tubing, clear polyurethane	Consult
22	15631	Cable tie, 3 in nylon	Consult

(See Diagram AutoLift HE-B)



AutoLift HE-B

FLOOR SCALES

AutoLift HE

Pneumatic Lift Scale

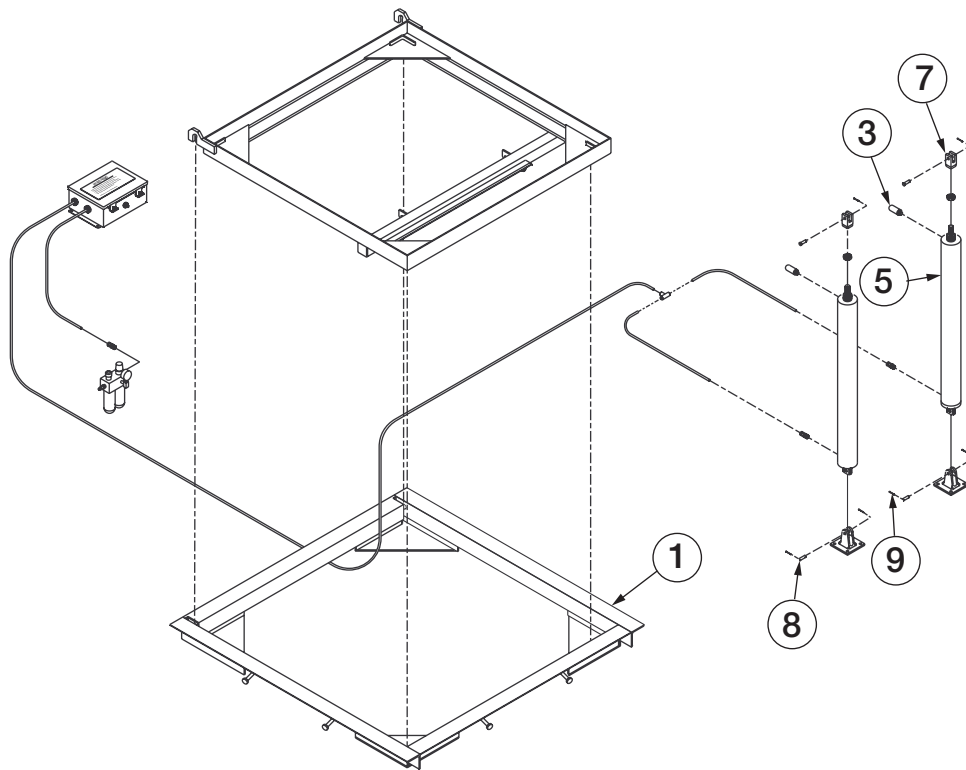


Part Number/Price

Ref#	Part#	Description	Price
	42267	Air filter/regulator and lubricator with semi automatic drain	Consult
	44141	Operating manual	Consult
1	41936	Pit coping WLDT, 4 ft x 4 ft	Consult
1	41937	Pit coping WLDT, 5 ft x 5 ft	Consult
3	42261	Exhaust muffler/filter	Consult
5	42265	Air cylinder, 5 ft x 5 ft, 3 in bore, 20 in stroke	Consult
5	42266	Air cylinder, 4 ft x 4 ft, 3 in bore, 15 in stroke	Consult
7	42263	Rod clevis, nut and cotter pins	Consult
8	42310	Clevis pin	Consult
9	35356	Cotter pin	Consult

(See Diagram AutoLift HE-C)

Floor Scales

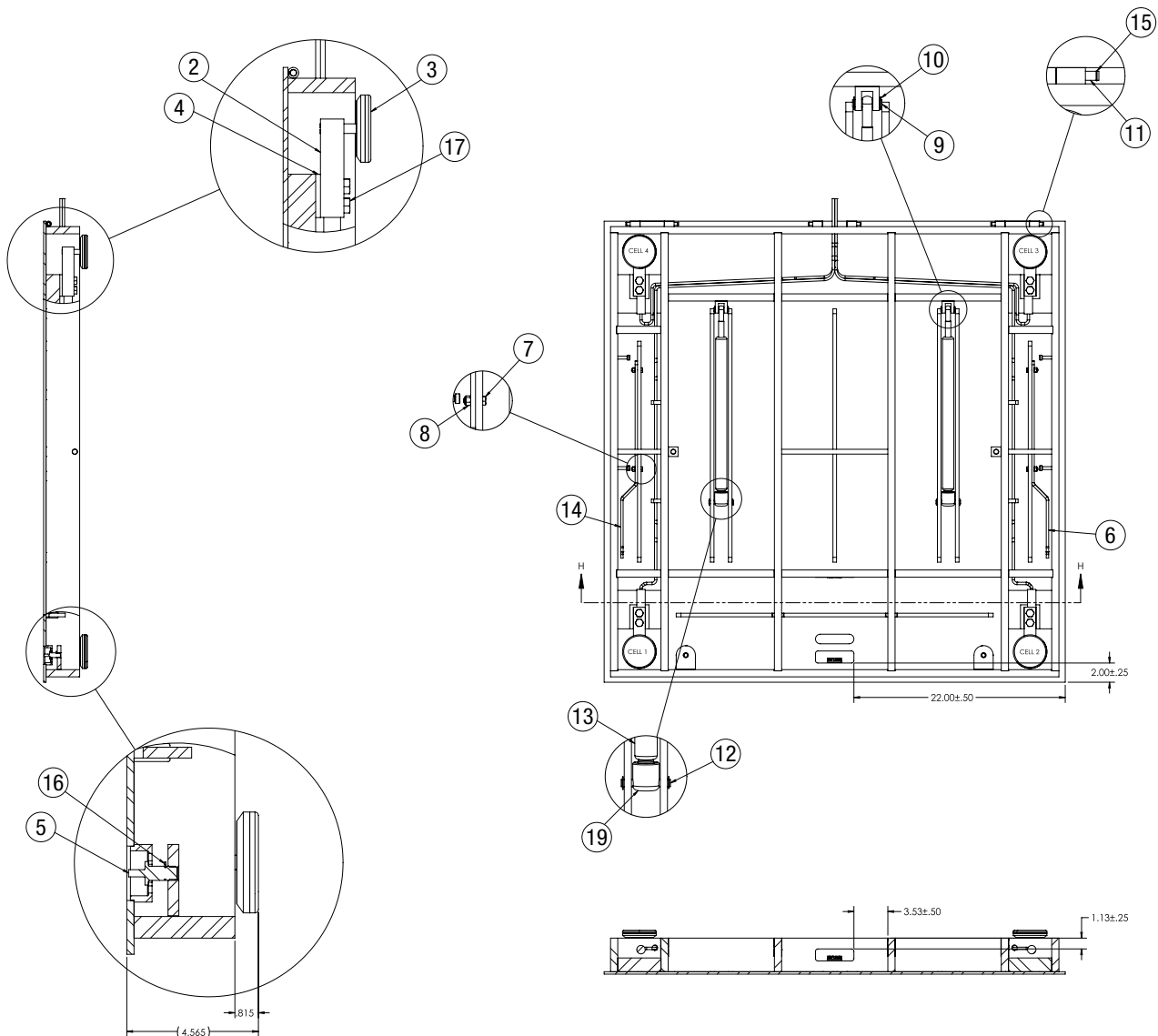


AutoLift HE-C

FLOOR SCALES
RoughDeck® QC-X
 4 x 4 Scale

Part Number/Price

Ref#	Part#	Description	Price
2	173856	Load cell, SEB RL35023-N5-2.5 K, 5 K scale	Consult
2	173857	Load cell, SEB RL35082-4 K, 10K scale	Consult
3	18756	Foot	Consult
4	18411	Shim plate	Consult
5	175972	Corner lock knob	Consult
6	176519	Safety bar left	Consult
7	35088	Screw, cap 1/4-20NC x 1 hex	Consult
8	14634	Nut, lock 1/4-20NC hex sst	Consult
9	175899	Pin: Hinge: 3/8 in dia x 1.53 in long: sst	Consult
10	175897	Retaining ring	Consult
11	47715	Pin: Hinge: 5/16 in dia x 5 in long: sst	Consult
12	175900	Pin: Hinge: 3/8 in dia x 2.56 in long: sst	Consult
13	176545	Gas spring	Consult
14	176520	Safety bar right	Consult
15	47714	Ring, retaining 5/16 shaft	Consult
16	47713	Ring, retaining 1/2 in shaft	Consult
17	176339	Screw, cap 1/2-20NF x 2-1/4	Consult
19	176164	Large end fitting	Consult



Floor Scales

FLOOR SCALES

RoughDeck® QC-X

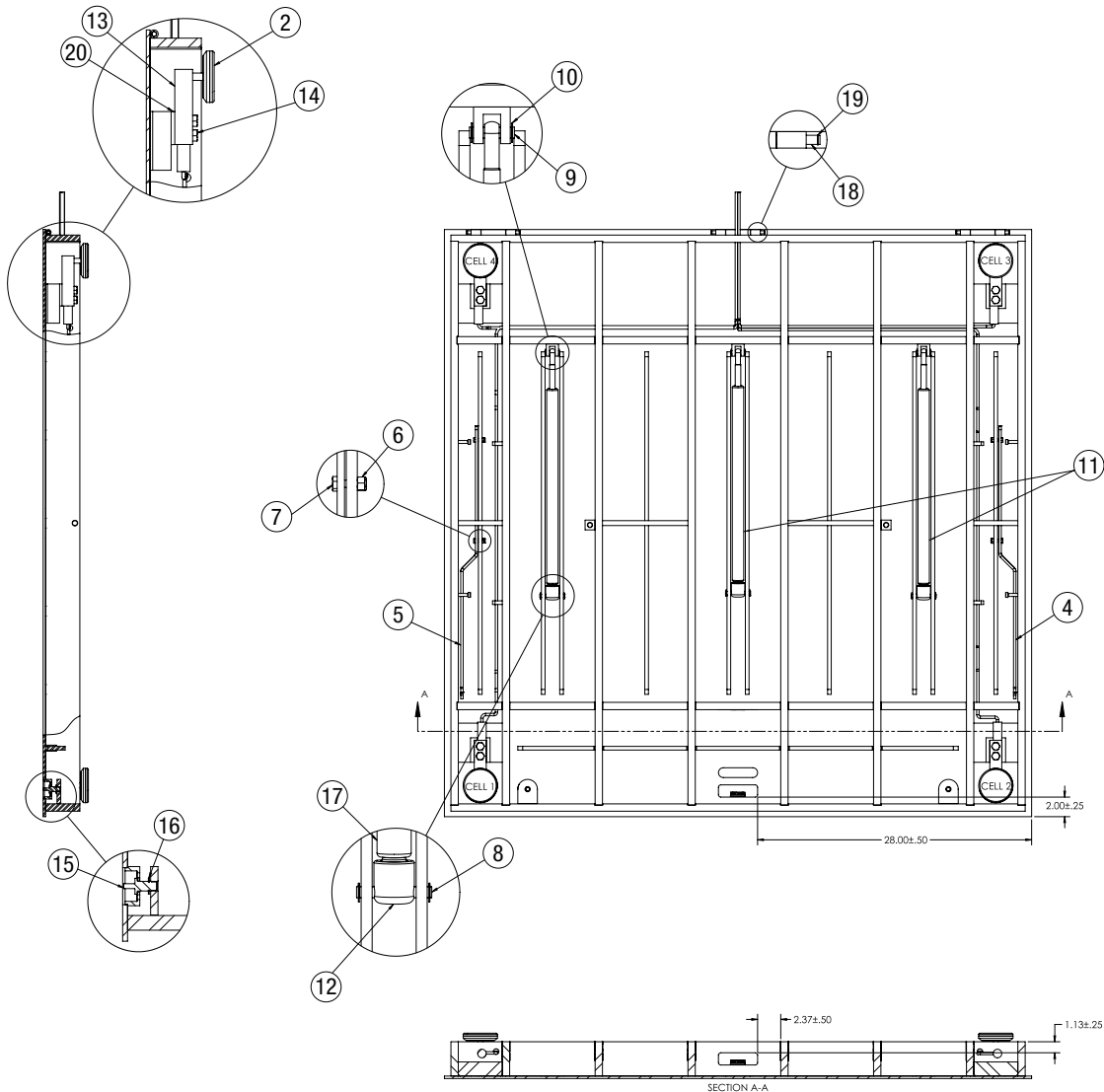
5 x 5 Scale



Part Number/Price

Ref#	Part#	Description	Price
2	18756	Foot	Consult
4	175974	Safety bar left	Consult
5	175975	Safety bar right	Consult
6	14634	Nut, lock 1/4-20NC hex sst	Consult
7	35088	Screw, cap 1/4-20 NC x 1 hex	Consult
8	175900	Pin: Hinge: 3/8 in dia x 2.56 in long: sst	Consult
9	175899	Pin: Hinge: 3/8 in dia x 1.53 in long: sst	Consult
10	175897	Retaining ring	Consult
11	176162	Gas spring	Consult
12	176164	Large end fitting	Consult
13	173856	Load cell, SEB RL35023-N5-2.5 K, 5 K scale	Consult
13	173857	Load cell, SEB RL35082-4 K, 10 K scale	Consult
14	176339	Screw, cap 1/2-20 NF x 2-1/4	Consult
15	175972	Corner lock knob	Consult
16	47713	Ring, retaining 1/2 in shaft	Consult
17	176163	Gas spring	Consult
18	47715	Pin: Hinge: 5/16 in dia x 5 in long: sst	Consult
19	47714	Ring, retaining 5/16 shaft	Consult
20	18411	Shim plate	Consult

Floor Scales



RoughDeck® QC Quick Clean

Stainless Steel

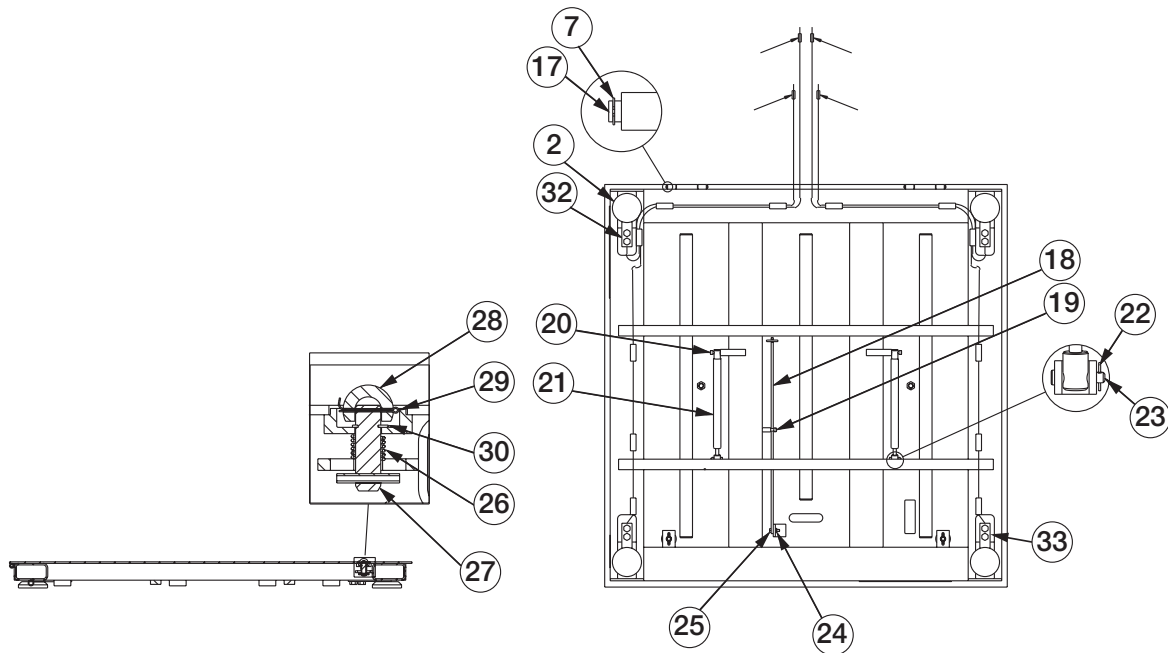
Part Number/Price

Ref#	Part#	Description	Price
	88956	RoughDeck 4-channel junction box	Consult
2	18756	Foot assembly	Consult
7	47714	Retaining ring, 5/16 in shaft	Consult
17	47715	Hinge pin, 5/16 in diameter	Consult
18	47718	Safety latch	Consult
19	14994	Cap screw, 5/16-24 NF x 1	Consult
20	15000	Cap screw, 5/16-18 NC x 1 3/4	Consult
21	47690	Gas spring, 20 in extended, 4 ft x 4 ft and larger	Consult
21	53378	Gas spring, 14.75 in extended, 3 ft x 3 ft and smaller	Consult
22	15233	Cotter pin, 1/8 in x 3/4 in	Consult
23	47712	Clevis pin, 5/16 in x 1 1/2 in	Consult
24	14634	Lock nut, 1/4-20 NC hex	Consult
25	35088	Cap screw, 1/4-20 NC x 1 hex	Consult
26	40044	Blank trigger spring	Consult
27	48682	Corner lock sub-assembly	Consult
28	47691	Corner lock knob, SST	Consult
29	52517	Cotter pin, 1/16 in x 1 in	Consult
30	47713	Retaining ring, 1/2 in shaft	Consult
32	106039	RLH35 - load cell, 1,000 lb (2,000 lb scale)	Consult
32	191635	RLH35 - load cell, 2,500 lb (5,000 lb scale)	Consult
32	106041	RLH35 - load cell, 4,000 lb (10,000 lb scale)	Consult
33	46258	Load Cell Mount Bolts	Consult
	15611	Cable, EL147HE 20 ft	Consult



Floor Scales

(See Diagram RoughDeck QC-A)



RoughDeck QC-A

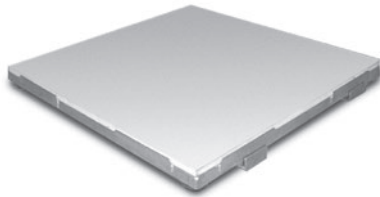
FLOOR SCALES

RoughDeck® SD



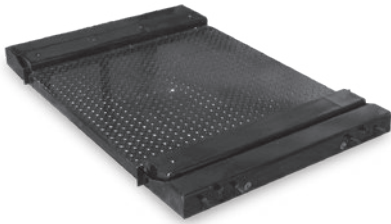
Part Number/Price

Part#	Description	Price
51857	Top plate, 2.5 ft x 2.5 ft (.76 m x .76 m)	Consult
51856	Top plate, 3 ft x 3 ft (.91 m x .91 m)	Consult
50362	Top plate, 4 ft x 4 ft (1.21 m x 1.21 m)	Consult
51855	Top plate, 4 ft x 5 ft (1.21 m x 1.52 m)	Consult
51854	Top plate, 5 ft x 5 ft (1.52 m x 1.52 m)	Consult
51853	Top plate, 5 ft x 7 ft (1.52 m x 2.13 m)	Consult
88956	Junction box, JB4SS 4-channel	Consult
106039	Load cells for 2K scales	Consult
106040	Load cells for 5K scales	Consult
106041	Load cells for 10K scales	Consult
18756	Feet	Consult
15611	Homerun cable	Consult



Floor Scales

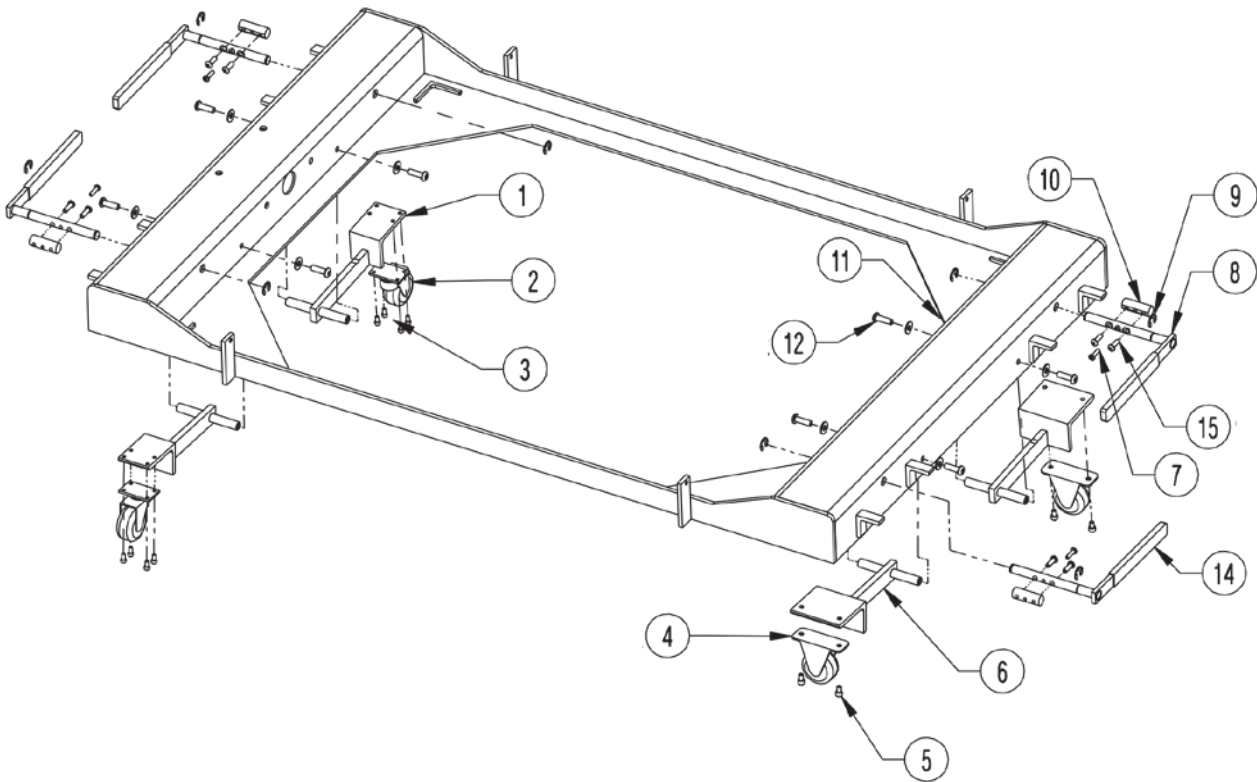
Mild Steel RoughDeck® BDP Portability Scale and Frame Parts



Part Number/Price

Ref#	Part#	Description	Price
	18756	Foot, SUREFOOT	Consult
	88956	Junction box, 4 channel, signal trim	Consult
	189152	Load cell, RL32018-1 k (1,000 lb & 2,500 lb scale)	Consult
Mild Steel			
1	78426	Swivel caster support (2)	Consult
2	78841	Caster swivel (2)	Consult
3	14931	Cap screw, 10 - 32 NF x 3/8 (8)	Consult
4	78842	Caster rigid (2)	Consult
5	14952	Screw, 1/4 - 20 NC (4)	Consult
6	78430	Caster support (2)	Consult
7	14938	Cap screw, 10 - 32 NF x 3/4 (4)	Consult
8	78437	Caster handle (4)	Consult
9	79418	Retaining ring (8)	Consult
10	78988	Cam (4)	Consult
11	79024	Nylon washer 5/16 in (8)	Consult
12	72359	Screw, 5/16 - 18 NC 3/4 (8)	Consult
14	78434	Grip handle (4)	Consult
15	41251	Cap screw, 1/4 - 20 NC x 3/4 (8)	Consult

(See Diagram RoughDeck BDP-A)
 Diagram parts are for the optional portability kit



RoughDeck BDP-A

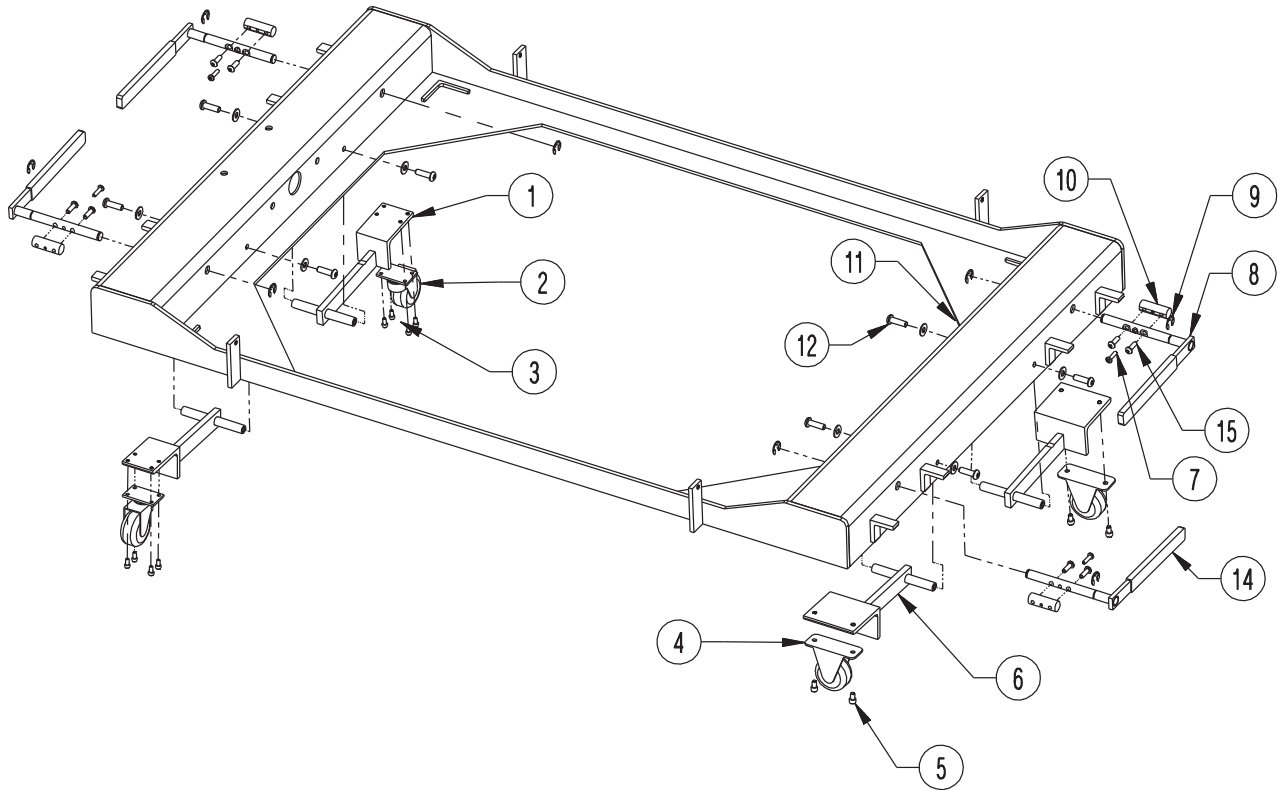
Stainless Steel RoughDeck® BDP Portability Scale and Frame Parts

Part Number/Price

Ref#	Part#	Description	Price
	18756	Foot, SUREFOOT	Consult
	88956	Junction box, 4 channel, signal trim	Consult
	189164	Load cell, RL32018S-1 k (1,000 lb & 2,500 lb scales stainless steel version)	Consult
Stainless Steel			
1	78463	Swivel caster support (2)	Consult
2	78841	Caster swivel (2)	Consult
3	79119	Cap screw, 10 - 32NF x 3/8 (8)	Consult
4	78842	Caster rigid (2)	Consult
5	35129	Screw, 1/4 - 20 NC (4)	Consult
6	78467	Caster support (2)	Consult
7	79073	Cap screw, 10 - 32NF x 3/4 (4)	Consult
8	78437	Caster handle (4)	Consult
9	47713	Retaining ring (8)	Consult
10	78988	Cam (4)	Consult
11	79024	Nylon washer 5/16 (8)	Consult
12	79133	Screw, 5/16 - 18NC 3/4 (8)	Consult
14	78434	Grip handle (4)	Consult
15	41251	Cap screw, 1/4 - 20 NC x 3/4 (8)	Consult



(See Diagram RoughDeck BDP-B)
Diagram parts are for the optional portability kit



RoughDeck BDP-B

Floor Scales

FLOOR SCALES

DeckHand Portable Scale

Mild Steel



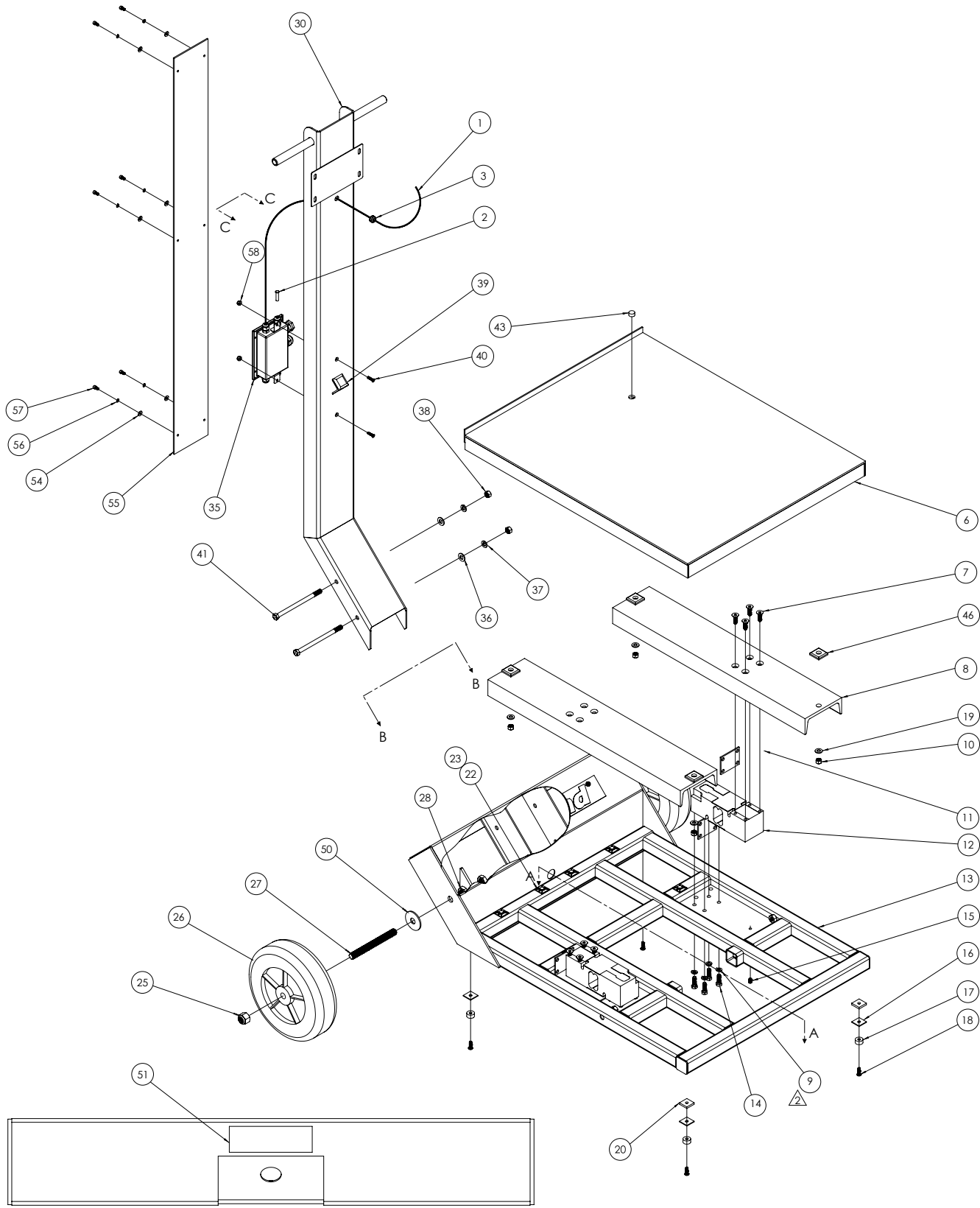
Part Number/Price

Ref#	Part#	Description	Price
1	15494	Cable, 4-conductor, 3 1/2 ft	Consult
3	15398	Grommet, rubber 1/2 x 1/4	Consult
6	40986	Upper platter (DH-500, DH-1000)	Consult
	42654	Upper platter (DH-2000)	Consult
7	14996	Cap screw, 5/16-18 NC x 1	Consult
8	41002	Load cell channels (DH-500)	Consult
	41002	Load cell channels (DH-1000)	Consult
	42664	Load cell channels (DH-2000)	Consult
9	21939	Flat washer, 5/16	Consult
10	14646	Lock nut, 5/16-18 NC, hex	Consult
11	41003	Shim, load cell	Consult
12	41024	Load cell, RL1260 - 500 lb scale	Consult
12	41026	Load cell, RL1260 - 1,000 lb scale	Consult
12	41027	Load cell, RL1260 - 2,000 lb scale	Consult
13	40983	Base platform (DH-500, DH-1000)	Consult
	42616	Base platform (DH-2000)	Consult
14	26667	Cap screws, 5/16-18NC x 1	Consult
15	14989	Overload stop set screw, 5/16 x 18NC x 1/2	Consult
16	41004	Base shim, ramp end	Consult
17	41267	Scale base bumper, 3/4	Consult
18	14964	Cap screw, 1/4-20NC x 3/4	Consult
19	15153	Lock washer, 5/16	Consult
22	15658	Cable tie mount	Consult
23	15631	Cable tie, 3 in	Consult
25	40181	Lock nut, 5/8-11NC	Consult
26	41268	Wheel, 10 dia. x 5/8 bore	Consult
27	41005	Axle, 5/8-11 x 6	Consult
28	14676	Jam nut, 5/8-11NC	Consult
29	41266	Handle grip, 3/4 I.D.	Consult
30	40987	Mast, 57-13/16 x 15	Consult
35	88956	Junction box, four channel	Consult
36	21938	Flat washer, 3/8	Consult
37	15159	Lock washer, 3/8	Consult
38	14656	Hex nut, 3/8-16NC	Consult
39	41108	Dampener strip, ramp stop	Consult
40	14908	Cap screw, 10-32NF x 3/4	Consult
41	41254	Cap screw, 3/8-16NC x 6	Consult
43	15410	Bubble level	Consult
46	44149	Bumper cushion, self-adhesive	Consult
50	15176	Nylon washer, 5/8	Consult
51	46259	Column back plate	Consult
52	14932	Cap screw, 10-32NF x 3/8	Consult
53	47726	Base shim, all corners	Consult

(See Diagram DeckHand Mild Steel)

FLOOR SCALES
DeckHand Portable Scale
 Mild Steel

Floor Scales



VIEW B-B

DeckHand Mild Steel

DeckHand Portable Scale

Stainless Steel

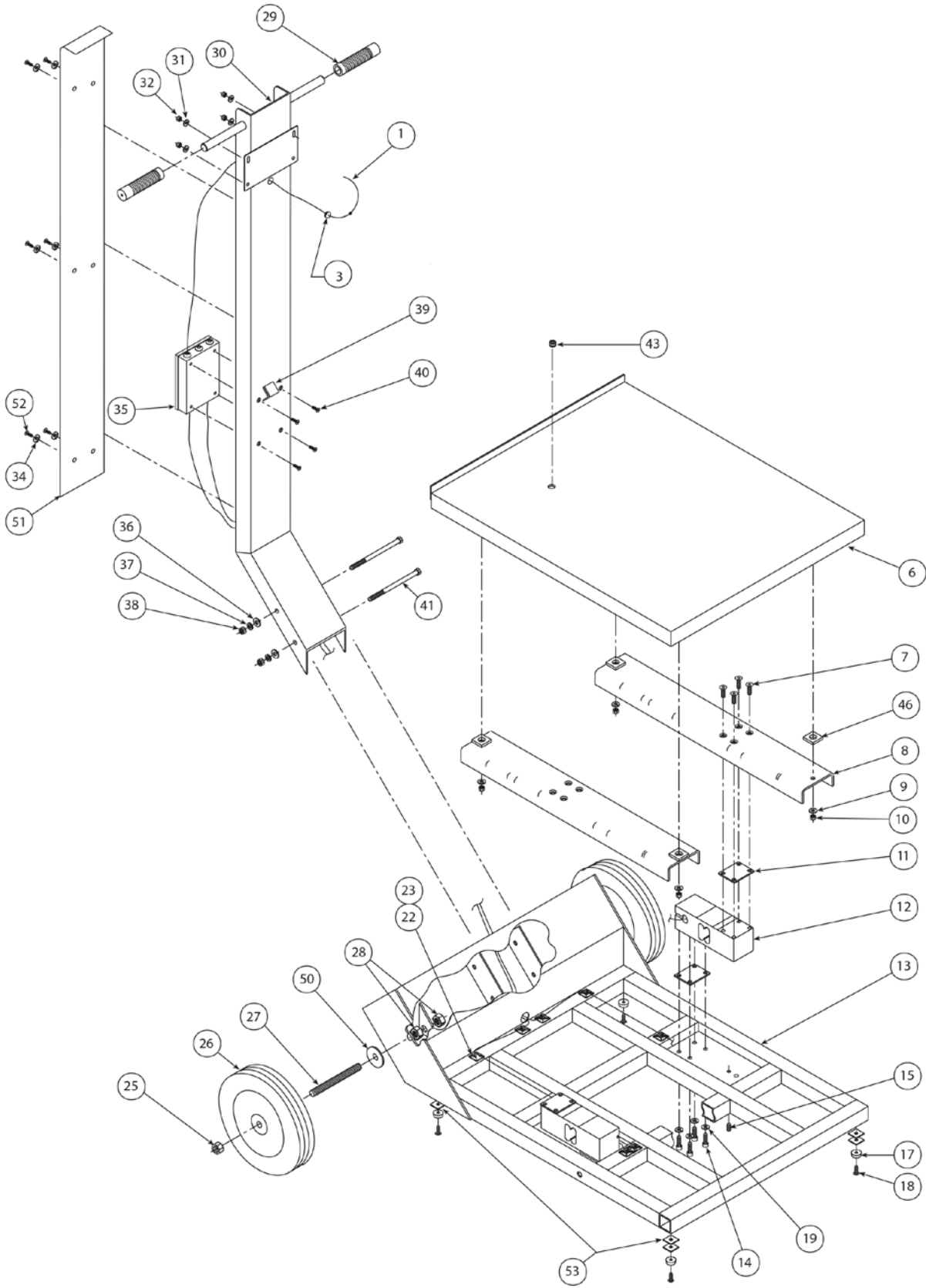


Part Number/Price

Ref#	Part#	Description	Price
1	44187	Cable, 6-conductor, 3 1/2 ft	Consult
3	15377	Grommet, rubber 1/2 x 1/4	Consult
6	41181	Upper platter (DH-500, DH-1000)	Consult
	42655	Upper platter (DH-2000)	Consult
7	41250	Cap screw, 5/16-18 NC x 1	Consult
8	41197	Load cell channels (DH-500)	Consult
	42665	Load cell channels (DH-1000)	Consult
	42653	Load cell channels (DH-2000)	Consult
9	44237	Flat washer, 5/16	Consult
10	35170	Lock nut, 5/16-18 NC, hex	Consult
11	41198	Shim, load cell	Consult
12	41024	Load cell, RL1260 - 500 lb scale	Consult
12	41026	Load cell, RL1260 - 1,000 lb scale	Consult
12	41027	Load cell, RL1260 - 2,000 lb scale	Consult
13	41178	Base platform (DH-500, DH-1000)	Consult
	42617	Base platform (DH-2000)	Consult
14	26670	Cap screws, 5/16-18NC x 1	Consult
15	21933	Overload stop set screw, 5/16 x 18NC x 1/2	Consult
16	41199	Base shim, ramp end	Consult
17	41267	Scale base bumper, 3/4	Consult
18	41251	Cap screw, 1/4-20NC x 3/4	Consult
19	15154	Lock washer, 5/16	Consult
22	15658	Cable tie mount	Consult
23	15631	Cable tie, 3"	Consult
25	41249	Lock nut, 5/8-11NC	Consult
26	41268	Wheel, 10 dia. x 5/8 bore	Consult
27	41200	Axle, 5/8-11 x 6	Consult
28	14680	Jam nut, 5/8-11NC	Consult
29	41266	Handle grip, 3/4 I.D.	Consult
30	41182	Mast, 57-13/16 x 15	Consult
35	88956	Junction box, four channel	Consult
36	15161	Flat washer, 3/8	Consult
37	15160	Lock washer, 3/8	Consult
38	14655	Hex nut, 3/8-16NC	Consult
39	41108	Dampener strip, ramp stop	Consult
40	41253	Cap screw, 10-32NF x 3/4	Consult
41	41257	Cap screw, 3/8-16NC x 6	Consult
43	15410	Bubble level	Consult
46	44149	Bumper cushion, self-adhesive	Consult
50	15176	Nylon washer, 5/8	Consult
51	46260	Column back plate	Consult
52	46337	Cap screw, 10-32NF x 3/8	Consult
53	47727	Base shim, all corners	Consult

(See Diagram DeckHand Stainless Steel)

FLOOR SCALES
DeckHand Portable Scale
 Stainless Steel



DeckHand Stainless Steel

Floor Scales

FLOOR SCALES

RL1200 Portable Beam Scale

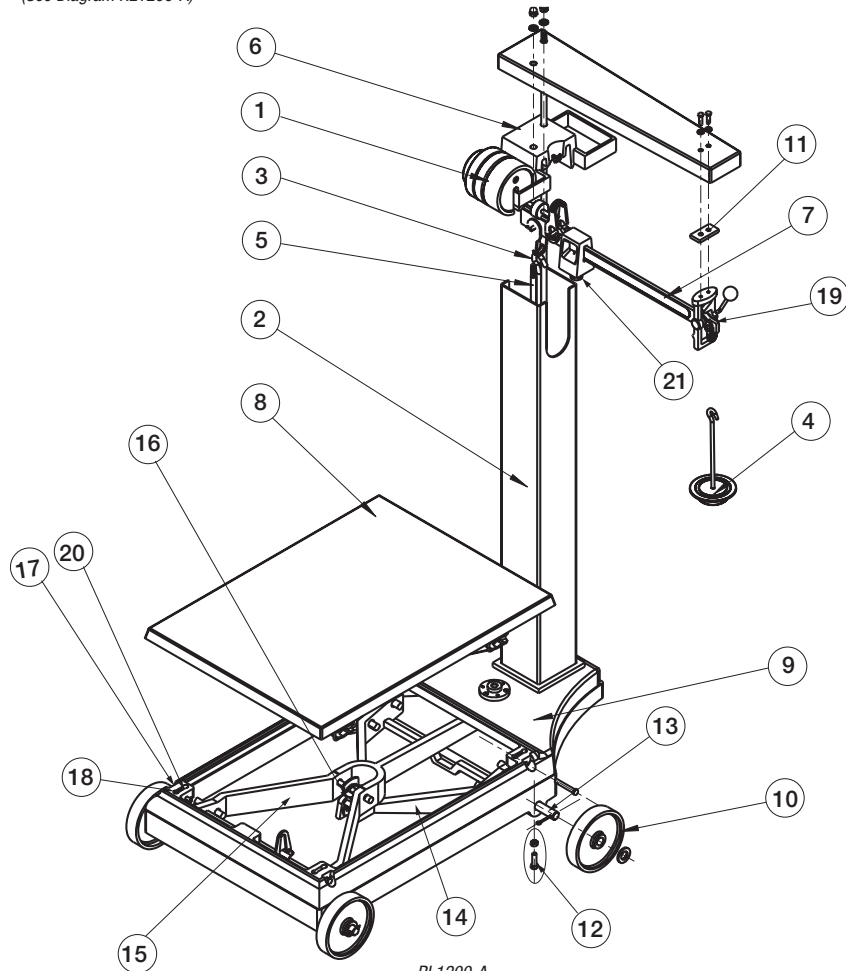
Beam and Column Assembly



Part Number/Price

Ref#	Part#	Description	Price
1	162236	Counterpoise weights, (1) 50 kg, (2) 100 kg, (1) 200 kg	Consult
1	162237	Counterpoise weights, (1) 100 lb, (2) 200 lb, (1) 400 lb	Consult
2	162239	Pillar	Consult
3	162240	Steelyard rod	Consult
4	162241	Counterpoise assembly, kg	Consult
4	162242	Counterpoise assembly, lb	Consult
5	162243	Pillar rod, set of 2	Consult
6	162244	Weight rack	Consult
7	162301	Beam assembly (includes poise weight)	Consult
7	162302	Beam assembly (includes poise weight)	Consult
8	162246	Platform	Consult
9	162247	Base frame (not incl. levels)	Consult
10	162248	Wheel	Consult
11	162249	Trig loop shim	Consult
12	162250	Axle set bolt with nut, set of 4	Consult
13	162251	Axle, set of 2	Consult
14	162252	Short lever (includes pivots)	Consult
15	162253	Long lever (includes pivot)	Consult
16	162254	Center connection with bearings	Consult
17	162255	Fulcrum loop support pin, set of 4	Consult
18	162256	Fulcrum loop with bearing, set of 4	Consult
19	162258	Trig loop	Consult
20	162257	Load and fulcrum pivots for long and short level, set of 8	Consult
21	206582	Thumb screw for poise weight	Consult

(See Diagram RL1200-A)



RL1200-A

FLOOR SCALES

RoughDeck® FXB

Mild Steel



Scale Size	Scale Capacity (lbs)	Profile (Inches)	Fulcrum Flexure (4 ea.)	Load Flexure (4 ea.)	Center Flexure (1 ea.)	Pull Cable/Wire Rope	Load Cell	Load Cell Spacer
-	-	1	2	3	4	5	6	
18 in x 24 in	500	6.50	33304	33304	33306	115292	21432	N/A
18 in x 24 in	1000	6.50	33304	33304	33306	115292	21434	N/A
18 in x 30 in	500	6.50	33304	33304	33306	115292	21432	N/A
18 in x 30 in	1000	6.50	33304	33304	33306	115292	21434	N/A
18 in x 30 in	1500	6.50	33304	33304	33306	115292	21435	N/A
24 in x 24 in	500	6.50	33304	33304	33306	115292	21432	N/A
24 in x 24 in	1000	6.50	33304	33304	33306	115292	21434	N/A
30 in x 30 in	500	6.50	33304	33304	33306	115292	21432	N/A
30 in x 30 in	1000	6.50	33304	33304	33306	115292	21434	N/A
30 in x 30 in	1500	6.50	33304	33304	33306	115292	21435	N/A
30 in x 30 in	2000	8.25	33303	33087	33305	33084	21436	33425
36 in x 36 in	1000	8.25	33303	33087	33305	33084	21436	33425
36 in x 36 in	2000	8.25	33303	33087	33305	33084	21436	33425
36 in x 36 in	5000	8.25	33303	33087	33305	33084	21437	33425
38 in x 46 in	1000	8.25	33303	33087	33305	33084	21436	33425
38 in x 46 in	2000	8.25	33303	33087	33305	33084	21436	33425
38 in x 46 in	5000	8.25	33303	33087	33305	33084	21437	33425
38 in x 46 in	10000	8.25	33303	33087	33305	33084	21439	33425
48 in x 48 in	1000	8.25	33303	33087	33305	33084	21436	33425
48 in x 48 in	2000	8.25	33303	33087	33305	33084	21436	33425
48 in x 48 in	5000	8.25	33303	33087	33305	33084	21437	33425
48 in x 48 in	7000	9.25	33302	33087	33305	33084	21438	33425
48 in x 48 in	10000	9.25	33302	33087	33305	33084	21438	33425
48 in x 48 in	20000	13.25	33086	33307	33087	*	*	33425
48 in x 60 in	2000	8.25	33303	33087	33305	33084	21436	33425
48 in x 60 in	5000	8.25	33303	33087	33305	33084	21436	33425
48 in x 60 in	10000	9.25	33302	33087	33305	33084	21438	33425
48 in x 60 in	20000	13.25	33086	33307	33087	*	*	33425
48 in x 72 in	2000	8.25	33303	33087	33305	33084	21436	33425
48 in x 72 in	5000	9.25	33303	33087	33305	33084	21436	33425
48 in x 72 in	10000	9.25	33302	33087	33305	33084	21438	33425
48 in x 72 in	20000	13.25	33086	33307	33087	*	*	33425
60 in x 60 in	2000	8.25	33303	33087	33305	33084	21436	33425
60 in x 60 in	5000	8.25	33303	33087	33305	33084	21436	33425
60 in x 60 in	10000	9.25	33302	33087	33305	33084	21438	33425
60 in x 60 in	20000	13.25	33086	33307	33087	*	*	33425
60 in x 72 in	5000	10.25	33086	33307	33305	33084	21436	33425
60 in x 72 in	10000	10.25	33086	33307	33305	33084	21438	33425
60 in x 72 in	20000	13.25	33086	33307	33087	*	*	33425
60 in x 84 in	5000	10.25	33086	33307	33305	33084	21438	33425
60 in x 84 in	10000	13.25	33086	33307	33087	*	*	33425
60 in x 84 in	20000	13.25	33086	33307	33087	*	*	33425
72 in x 72 in	20000	*	33086	33307	33087	*	*	33425
72 in x 96 in	5000	13.25	33086	33307	33087	33084	21438	33425
72 in x 96 in	10000	13.25	33086	33307	33087	*	*	33425
72 in x 96 in	20000	15.25	33086	33307	33087	*	*	33425
84 in x 108 in	5000	*	33086	33307	33087	33084	21438	33425
84 in x 108 in	10000	15.25	33086	*	33087	33084	21439	33425
84 in x 108 in	20000	15.25	33086	*	33087	*	*	33425
96 in x 120 in	10000	15.25	33086	33307	33087	*	*	33425
96 in x 120 in	20000	17.50	33086	33307	*	*	*	33425
96 in x 120 in	30000	19.50	**33086	**33307	*	*	*	33425

*- Consult factory

1a - Consists of two check link angles and necessary mounting hardware.

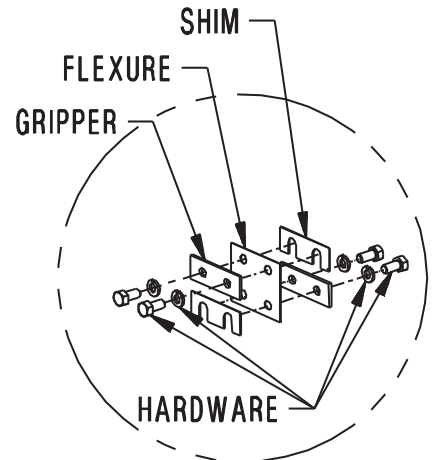
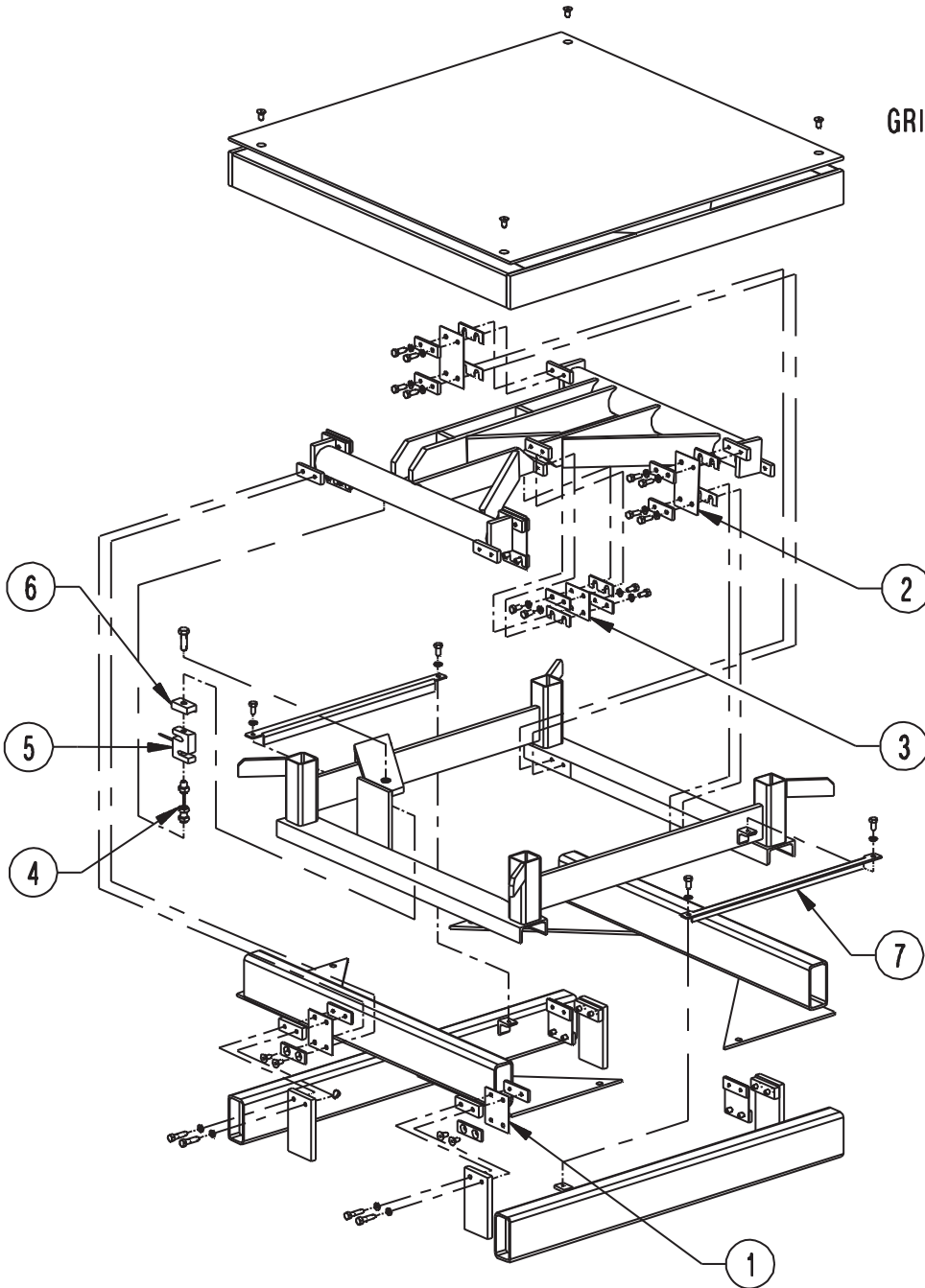
2b - Consists of replacement flexures for the entire scale and ten shims in assorted thicknesses.

3c - Consists of ten assorted thicknesses of shims.

** - Quantity of eight of these are required per scale instead of four.

Floor Scales

FLOOR SCALES
RoughDeck® FXB
 Mild Steel



FOR ILLUSTRATION
 PURPOSES ONLY

RoughDeck® FXB-A

Floor Scales

FLOOR SCALES

RoughDeck® FXB

Mild Steel Parts Kit and Hardware



Scale Size	Scale Capacity (lbs)	Profile (Inches)	Check Link Angle Kit 1a	Flexure/Shim Kit 2b	Shim Kit 3c	Hardware Kit
-	-	-	7	-	-	-
18 in x 24 in	500	6.50	115243	113850	45377	114023
18 in x 24 in	1000	6.50	115243	113850	45377	114023
18 in x 30 in	500	6.50	115244	113850	45377	114023
18 in x 30 in	1000	6.50	115244	113850	45377	114023
18 in x 30 in	1500	6.50	115244	113850	45377	114023
24 in x 24 in	500	6.50	115243	113850	45377	114023
24 in x 24 in	1000	6.50	115243	113850	45377	114023
30 in x 30 in	500	6.50	115244	113850	45377	114023
30 in x 30 in	1000	6.50	115244	113850	45377	114023
30 in x 30 in	1500	6.50	115244	113850	45377	114023
30 in x 30 in	2000	8.25	115246	113851	45377	114026
36 in x 36 in	1000	8.25	115247	113851	45377	114026
36 in x 36 in	2000	8.25	115245	113851	45377	114026
36 in x 36 in	5000	8.25	115245	113851	45377	114026
38 in x 46 in	1000	8.25	115247	113851	45377	114026
38 in x 46 in	2000	8.25	115247	113851	45377	114026
38 in x 46 in	5000	8.25	115249	113851	45377	114026
38 in x 46 in	10000	8.25	*	113851	45377	114026
48 in x 48 in	1000	8.25	115248	113851	45377	114026
48 in x 48 in	2000	8.25	115248	113851	45377	114026
48 in x 48 in	5000	8.25	115249	113851	45377	114026
48 in x 48 in	7000	9.25	115249	113851	45377	114026
48 in x 48 in	10000	9.25	115249	113852	45377	114026
48 in x 48 in	20000	13.25	*	*	45378	*
48 in x 60 in	2000	8.25	115248	113851	45377	114026
48 in x 60 in	5000	8.25	115250	113851	45377	114026
48 in x 60 in	10000	9.25	115250	113852	45377	114026
48 in x 60 in	20000	13.25	*	*	45378	*
48 in x 72 in	2000	8.25	115249	113851	45377	114026
48 in x 72 in	5000	9.25	115251	113851	45377	114026
48 in x 72 in	10000	9.25	115251	113852	45377	114026
48 in x 72 in	20000	13.25	*	*	45378	*
60 in x 60 in	2000	8.25	115250	113851	45377	114026
60 in x 60 in	5000	8.25	115250	113851	45377	114026
60 in x 60 in	10000	9.25	115250	113852	45377	114026
60 in x 60 in	20000	13.25	*	*	*	*
60 in x 72 in	5000	10.25	*	*	*	*
60 in x 72 in	10000	10.25	*	*	*	*
60 in x 72 in	20000	13.25	*	*	*	*
60 in x 84 in	5000	10.25	*	*	*	*
60 in x 84 in	10000	13.25	*	*	*	*
60 in x 84 in	20000	13.25	*	*	*	*
72 in x 72 in	20000	*	*	*	*	*
72 in x 96 in	5000	13.25	*	*	*	*
72 in x 96 in	10000	13.25	*	*	*	*
72 in x 96 in	20000	15.25	*	*	*	*
84 in x 108 in	5000	*	*	*	*	*
84 in x 108 in	10000	15.25	*	*	*	*
84 in x 108 in	20000	15.25	*	*	*	*
96 in x 120 in	10000	15.25	*	*	*	*
96 in x 120 in	20000	17.50	*	*	*	*
96 in x 120 in	30000	19.50	*	*	*	*

* - Consult factory

1a - Consists of two check link angles and necessary mounting hardware.

2b - Consists of replacement flexures for the entire scale and ten shims in assorted thicknesses.

3c - Consists of ten assorted thicknesses of shims.

** - Quantity of eight of these are required per scale instead of four.

Floor Scales

RoughDeck® FXB
Mild Steel Parts Kit and Hardware



Floor Scales

Part Number/Price

Part #	Description	Price
Fulcrum Flexure		
33086	Flexure plate, 4 in x 6 in x .062 in	Consult
33302	Flexure plate, 3 in x 3.75 in x .032 in	Consult
33303	Flexure plate, 3 in x 3.25 in x .032 in	Consult
33304	Flexure plate, 3 in x 3.25 in x .020 in	Consult
Load Flexure		
33087	Flexure plate, 3 in x 4.75 in x .032 in	Consult
33304	Flexure plate, 3 in x 3.25 in x .020 in	Consult
33307	Flexure plate, 4 in x 7 in x .062 in	Consult
Center Flexure		
33087	Flexure plate, 3 in x 4.75 in x .032 in	Consult
33305	Flexure plate, 2.5 in x 3 in x .032 in	Consult
33306	Flexure plate, 2.5 in x 3 in x .020 in	Consult
Pull Cable/Wire Rope		
33084	Wire rope, 1/2-20 NF x 1/2-20 NF x 3-5/8 long SST jam nuts included	Consult
115292	Wire rope, 1/4-28 NF x 1/4-28 NF x 3L 350 lb RLWS FB stainless steel jam nut included	Consult
Load Cell		
21432	Load Cell, SBM RL20000-150 150 lb 20 ft 3 mV/V 350 OHM WW NTEP III 5 S/III L 10 S IP67	Consult
21434	Load Cell, SBM RL20000-250 250 lb 20 ft 3 mV/V 350 OHM WW NTEP III 5 S/III L 10 S IP67	Consult
21435	Load Cell, SBM RL20000-300 300 lb 20 ft 3 mV/V 350 OHM WW NTEP III 5 S/III L 10 S IP67	Consult
21436	Load Cell, SBM RL20000-500 500 lb 20 ft 3 mV/V 350 OHM WW NTEP III 5 S/III L 10 S IP67	Consult
21437	Load Cell, SBM RL20000-750 750 lb 20 ft 3 mV/V 350 OHM WW NTEP III 5 S/III L 10 S IP67	Consult
21438	Load Cell, SBM RL20000-1 k 1,000 lb 20 ft 3 mV/V 350 OHM WW NTEP III 5 S/III L 10 S IP67	Consult
21439	Load Cell, SBM RL20000-1.5 k 1,500 lb 20 ft 3 mV/V 350 OHM WW NTEP III 5 S/III L 10 S IP67	Consult
21440	Load Cell, SBM RL20000-2 k 2,000 lb 20 ft 3 mV/V 350 OHM WW NTEP III 5 S/III L 10 S IP67	Consult
21441	Load Cell, SBM RL20000-2.5 k 2,500 lb 20 ft 3 mV/V 350 OHM WW NTEP III 5 S/III L 10 S IP67	Consult
21442	Load Cell, SBM RL20000-3 k 3,000 lb 20 ft 3 mV/V 350 OHM WW NTEP III 5 S/III L 10 S IP67	Consult
21443	Load Cell, SBM RL20000-5 k 5,000 lb 20 ft 3 mV/V 350 OHM WW NTEP III 5 S/III L 10 S IP67	Consult
Load Cell Spacer		
33425	Spacer, Load Cell 3/4 in x 2 in x 1/2 in	Consult
Check Link Angle Kit		
115243	Kit, angle check link 14 in with associated hardware	Consult
115244	Kit, angle check link 20 in with associated hardware	Consult
115245	Kit, angle check link 21 in with associated hardware	Consult
115246	Kit, angle check link 16 in with associated hardware	Consult
115247	Kit, angle check link 26 in with associated hardware	Consult
115248	Kit, angle check link 28 in with associated hardware	Consult
115249	Kit, angle check link 30 in with associated hardware	Consult
115250	Kit, angle check link 42 in with associated hardware	Consult
115251	Kit, angle check link 54 in with associated hardware	Consult
Flexure/Shim Kit		
113850	Flexure kit, 30 in x 30 in 1.5 k and under	Consult
113851	Flexure kit, 30 in x 30 in 2 k to 60 x 60 5 k	Consult
113852	Flexure kit, 48 in x 48 in 10 k to 60 x 60 10 k	Consult
Shim Kit (see page 112 for correct PN for needed scale size and capacity)		
45377	Shim kit, 3 in for FXB (10 assorted shims)	Consult
45378	Shim kit, 4 in for FXB (10 assorted shims)	Consult
Hardware Kit		
114023	Kit, hardware FXB 6.50 in profile	Consult
114026	Kit, hardware FXB 8.50 in profile and larger 10k and under	Consult

FLOOR SCALES

RoughDeck® FXB-SS
Stainless Steel



Scale Size	Scale Capacity (lbs)	Profile (Inches)	Fulcrum Flexure (4 ea.)	Load Flexure (4 ea.)	Center Flexure (1 ea.)	Pull Cable/ Wire Rope	Load Cell	Load Cell Spacer
-	-	1	2	3	4	5	6	
18 in x 24 in	500	6.50	113482	113482	114084	115292	72743	115484
18 in x 24 in	1000	6.50	113482	113482	114084	115292	46503	115484
18 in x 30 in	500	6.50	113482	113482	114084	115292	72743	115484
18 in x 30 in	1000	6.50	113482	113482	114084	115292	46503	115484
18 in x 30 in	1500	6.50	113482	113482	114084	115292	72745	115484
24 in x 24 in	500	6.50	113482	113482	114084	115292	72743	115484
24 in x 24 in	1000	6.50	113482	113482	114084	115292	46503	115484
30 in x 30 in	500	6.50	113482	113482	114084	115292	72743	115484
30 in x 30 in	1000	6.50	113482	113482	114084	115292	46503	115484
30 in x 30 in	1500	6.50	113482	113482	114084	115292	72745	115484
30 in x 30 in	2000	8.25	113483	114079	114083	33084	46504	115483
36 in x 36 in	1000	8.25	113483	114079	114083	33084	46504	115483
36 in x 36 in	2000	8.25	113483	114079	114083	33084	46504	115483
36 in x 36 in	5000	8.25	113483	114079	114083	33084	46505	115483
38 in x 46 in	1000	8.25	113483	114079	114083	33084	46504	115483
38 in x 46 in	2000	8.25	113483	114079	114083	33084	46504	115483
38 in x 46 in	5000	8.25	113483	114079	114083	33084	46505	115483
38 in x 46 in	10000	8.25	113483	114079	114083	33084	72749	115483
48 in x 48 in	1000	8.25	113483	114079	114083	33084	46504	115483
48 in x 48 in	2000	8.25	113483	114079	114083	33084	46504	115483
48 in x 48 in	5000	8.25	113483	114079	114083	33084	46504	115483
48 in x 48 in	7000	9.25	114082	114079	114083	33084	46506	115483
48 in x 48 in	10000	9.25	114082	114079	114083	33084	46506	115483
48 in x 48 in	20000	13.25	114081	114080	114079	*	*	115483
48 in x 60 in	2000	8.25	113483	114079	114083	33084	46504	115483
48 in x 60 in	5000	8.25	113483	114079	114083	33084	46504	115483
48 in x 60 in	10000	9.25	114082	114079	114083	33084	46506	115483
48 in x 60 in	20000	13.25	114081	114080	114079	*	*	115483
48 in x 72 in	2000	8.25	113483	114079	114083	33084	46504	115483
48 in x 72 in	5000	9.25	113483	114079	114083	33084	46504	115483
48 in x 72 in	10000	9.25	114082	114079	114083	33084	46506	115483
48 in x 72 in	20000	13.25	114081	114080	114079	*	*	115483
60 in x 60 in	2000	8.25	113483	114079	114083	33084	46504	115483
60 in x 60 in	5000	8.25	113483	114079	114083	33084	46504	115483
60 in x 60 in	10000	9.25	114082	114079	114083	33084	46506	115483
60 in x 60 in	20000	13.25	114081	114080	114079	*	*	115483
60 in x 72 in	5000	10.25	114081	114080	114083	33084	46504	115483
60 in x 72 in	10000	10.25	114081	114080	114083	33084	46506	115483
60 in x 72 in	20000	13.25	114081	114080	114079	*	*	115483
60 in x 84 in	5000	10.25	114081	114080	114083	33084	46506	115483
60 in x 84 in	10000	13.25	114081	114080	114079	*	*	115483
60 in x 84 in	20000	13.25	114081	114080	114079	*	*	115483
72 in x 72 in	20000	*	114081	114080	114079	*	*	*
72 in x 96 in	5000	13.25	114081	114080	114079	33084	46506	115483
72 in x 96 in	10000	13.25	114081	114080	114079	*	*	115483
72 in x 96 in	20000	15.25	114081	114080	114079	*	*	115483
84 in x 108 in	5000	*	114081	114080	114079	33084	46506	115483
84 in x 108 in	10000	15.25	114081	*	114079	33084	72749	115483
84 in x 108 in	20000	15.25	114081	*	114079	*	*	115483
96 in x 120 in	10000	15.25	114081	114080	114079	*	*	115483
96 in x 120 in	20000	17.50	114081	114080	*	*	*	115483
96 in x 120 in	30000	19.50	**114081	114080	*	*	*	115483

* - Consult factory

1a - Consists of two check link angles and necessary mounting hardware.

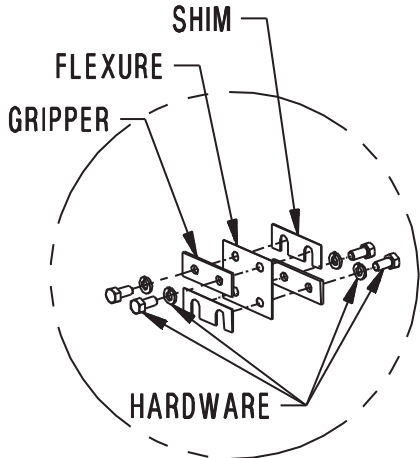
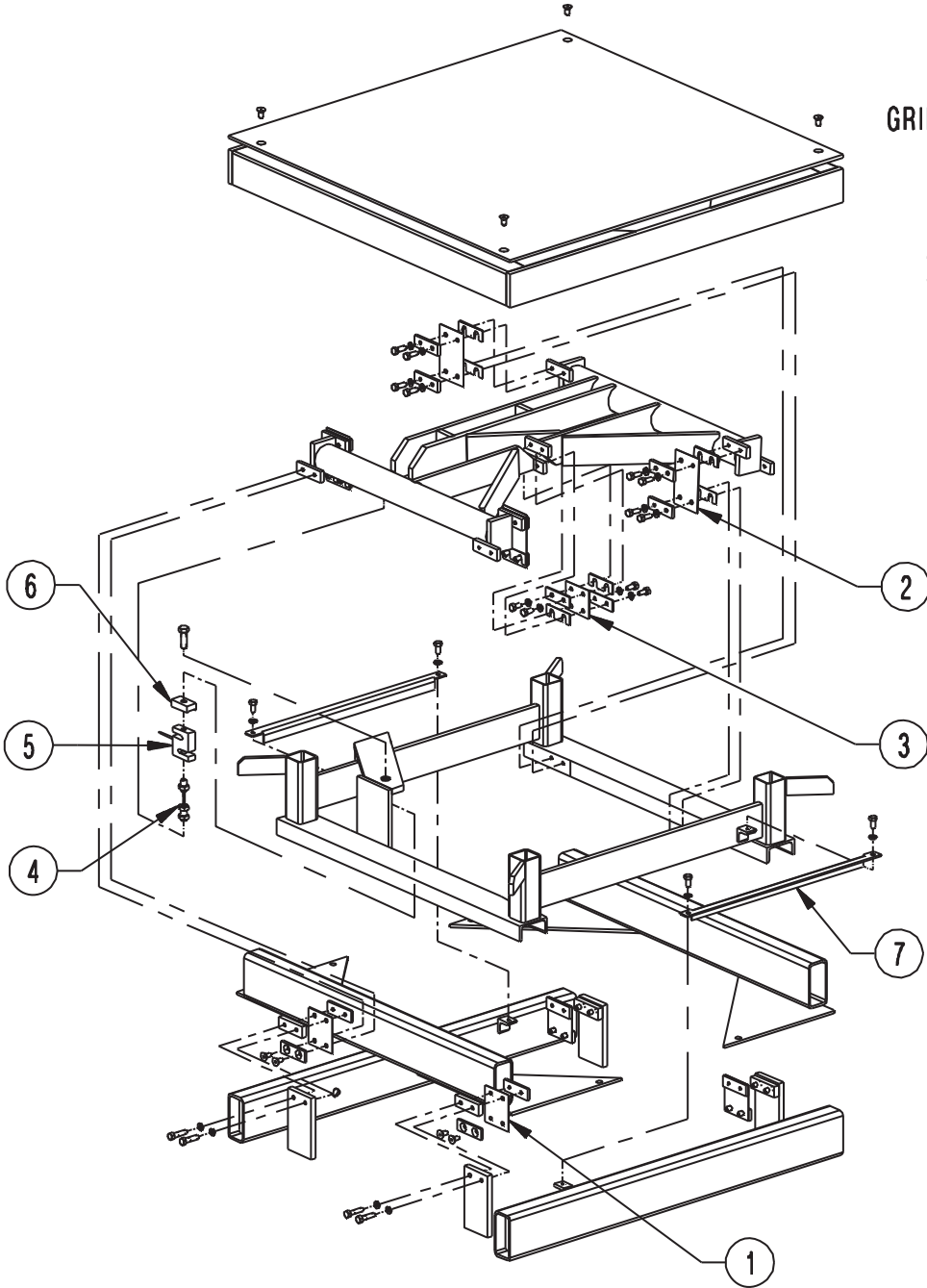
2b - Consists of replacement flexures for the entire scale and ten shims in assorted thicknesses.

3c - Consists of ten assorted thicknesses of shims.

** - Quantity of eight of these are required per scale instead of four.

Floor Scales

FLOOR SCALES
RoughDeck® FXB-SS
 Stainless Steel



FOR ILLUSTRATION
 PURPOSES ONLY

RoughDeck® FXB-A

Floor Scales

FLOOR SCALES

RoughDeck® FXB-SS

Stainless Steel Parts Kit and Hardware



Part Number/Price

Scale Size	Scale Capacity (lbs)	Profile (Inches)	Check Link Angle Kit 1a	Flexure/Shim Kit 2b	Shim Kit 3c	Hardware Kit
	-	-	7	-	-	-
18 in x 24 in	500	6.50	*	*	45377	114025
18 in x 24 in	1000	6.50	*	*	45377	114025
18 in x 30 in	500	6.50	*	*	45377	114025
18 in x 30 in	1000	6.50	*	*	45377	114025
18 in x 30 in	1500	6.50	*	*	45377	114025
24 in x 24 in	500	6.50	*	*	45377	114025
24 in x 24 in	1000	6.50	*	*	45377	114025
30 in x 30 in	500	6.50	*	*	45377	114025
30 in x 30 in	1000	6.50	*	*	45377	114025
30 in x 30 in	1500	6.50	*	*	45377	114025
30 in x 30 in	2000	8.25	*	115131	45377	114027
36 in x 36 in	1000	8.25	*	115131	45377	114027
36 in x 36 in	2000	8.25	*	115131	45377	114027
36 in x 36 in	5000	8.25	*	115131	45377	114027
38 in x 46 in	1000	8.25	*	115131	45377	114027
38 in x 46 in	2000	8.25	*	115131	45377	114027
38 in x 46 in	5000	8.25	*	115131	45377	114027
38 in x 46 in	10000	8.25	*	115131	45377	114027
48 in x 48 in	1000	8.25	*	115131	45377	114027
48 in x 48 in	2000	8.25	*	115131	45377	114027
48 in x 48 in	5000	8.25	*	115131	45377	114027
48 in x 48 in	7000	9.25	*	*	45377	114027
48 in x 48 in	10000	9.25	*	*	*	114027
48 in x 48 in	20000	13.25	*	*	*	*
48 in x 60 in	2000	8.25	*	*	45377	114027
48 in x 60 in	5000	8.25	*	*	45377	114027
48 in x 60 in	10000	9.25	*	*	45377	114027
48 in x 60 in	20000	13.25	*	*	*	*
48 in x 72 in	2000	8.25	*	*	45377	114027
48 in x 72 in	5000	9.25	*	*	45377	114027
48 in x 72 in	10000	9.25	*	*	45377	114027
48 in x 72 in	20000	13.25	*	*	*	*
60 in x 60 in	2000	8.25	*	*	45377	114027
60 in x 60 in	5000	8.25	*	*	45377	114027
60 in x 60 in	10000	9.25	*	*	45377	114027
60 in x 60 in	20000	13.25	*	*	*	*
60 in x 72 in	5000	10.25	*	*	*	*
60 in x 72 in	10000	10.25	*	*	*	*
60 in x 72 in	20000	13.25	*	*	*	*
60 in x 84 in	5000	10.25	*	*	*	*
60 in x 84 in	10000	13.25	*	*	*	*
60 in x 84 in	20000	13.25	*	*	*	*
72 in x 72 in	20000	*	*	*	*	*
72 in x 96 in	5000	13.25	*	*	*	*
72 in x 96 in	10000	13.25	*	*	*	*
72 in x 96 in	20000	15.25	*	*	*	*
84 in x 108 in	5000	*	*	*	*	*
84 in x 108 in	10000	15.25	*	*	*	*
84 in x 108 in	20000	15.25	*	*	*	*
96 in x 120 in	10000	15.25	*	*	*	*
96 in x 120 in	20000	17.50	*	*	*	*
96 in x 120 in	30000	19.50	*	*	*	*

* - Consult factory

1a - Consists of two check link angles and necessary mounting hardware.

2b - Consists of replacement flexures for the entire scale and ten shims in assorted thicknesses.

3c - Consists of ten assorted thicknesses of shims.

** - Quantity of eight of these are required per scale instead of four.

Floor Scales

FLOOR SCALES
RoughDeck® FXB-SS
 Stainless Steel Parts Kit and Hardware

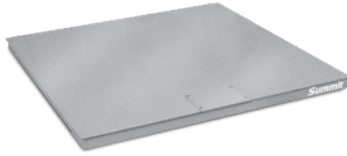


Floor Scales

Part Number/Price

Part #	Description	Price
Fulcrum Flexure		
113482	Flexure plate, 3 in x 3.25 in x .020 in	Consult
113483	Flexure plate, 3 in x 3.25 in x .032 in	Consult
114081	Flexure plate, 4 in x 6 in x .062 in	Consult
114082	Flexure plate, 3 in x 3.75 in x .032 in	Consult
Load Flexure		
113482	Flexure plate, 3 in x 3.25 in x .020 in	Consult
114079	Flexure plate, 3 in x 4.75 in x .032 in	Consult
114080	Flexure plate, 4 in x 7 in x .062 in	Consult
Center Flexure		
114079	Flexure plate, 3 in x 4.75 in x .032 in	Consult
114083	Flexure plate, 2.5 in x 3 in x .032 in	Consult
114084	Flexure plate, 2.5 in x 3 in x .020 in	Consult
Pull Cable/Wire Rope		
33084	Wire rope, 1/2 - 20 NF x 1/2 - 20 NF x 3 - 5/8 Long SST jam nuts included	Consult
115292	Wire rope, 1/4 - 28 NF x 1/4 - 28 NF x 3L 350 lb RLWS FB stainless steel jam nut included	Consult
Load Cell		
46503	Load cell, SBM RL20000SS- 250 lb 20 ft 3 mV/V 350 OHM WW SST NTEP III L 10S IP67	Consult
46504	Load cell, SBM RL20000SS- 500 lb 20 ft 3 mV/V 350 OHM WW SST NTEP III L 10S IP67	Consult
46505	Load cell, SBM RL20000SS- 750 lb 20 ft 3 mV/V 350 OHM WW SST NTEP III L 10S IP67	Consult
46506	Load cell, SBM RL20000SS- 1 k 1000 lb 20 ft 3 mV/V 350 OHM WW SST NTEP III L 10S IP67	Consult
46507	Load cell, SBM RL20000SS- 2.5 k 2500 lb 20 ft 3 mV/V 350 OHM WW SST NTEP III L 10S IP67	Consult
46508	Load cell, SBM RL20000SS- 3 k 3000 lb 20 ft 3 mV/V 350 OHM WW SST NTEP III L 10S IP67	Consult
46509	Load cell, SBM RL20000SS- 5 k 5000 lb 20 ft 3 mV/V 350 OHM WW SST NTEP III L 10S IP67	Consult
72743	Load cell, SBM RL20000ST 200 lb 20 ft 3 mV/V 350 OHM WW SST NTEP III L 10S FM IP67	Consult
72745	Load cell, SBM RL20000ST 300 lb 20 ft 3 mV/V 350 OHM WW SST NTEP III L 10S FM IP67	Consult
72749	Load cell, SBM RL20000ST 1,500 lb 20 ft 3 mV/V 350 OHM WW SST NTEP III L 10S FM IP67	Consult
72750	Load cell, SBM RL20000ST 2,000 lb 20 ft 3 mV/V 350 OHM WW SST NTEP III L 10S FM IP67	Consult
Load Cell Spacer		
115483	Spacer, load cell 1 in x 2 in x .60 in	Consult
115484	Spacer, load cell 1 in x 2 in x .10 in	Consult
Flexure/Shim Kit		
115131	Flexure kit, 48 in x 48 in 1 k - 5 k	Consult
Shim Kit		
45377	Shim kit, 3 in for FXB 5 k capacity and below (10 assorted shims)	Consult
Hardware Kit		
114027	Kit, hardware FXB 8.50 in profile	Consult

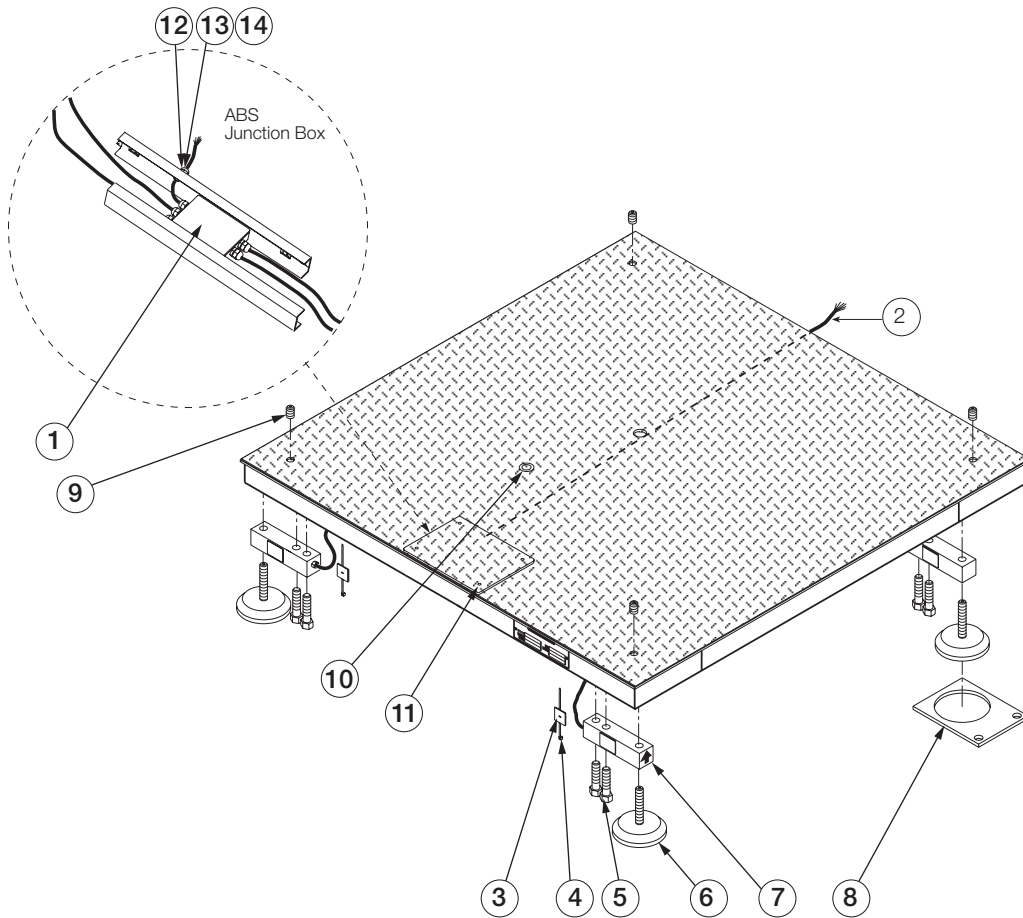
Summit 3000



Part Number/Price

Ref#	Part#	Description	Price
1	73428	Junction box, ABS plastic - 4 channel, signal trim	Consult
2	76015	Cable, 6-wire, deck to indicator	Consult
3	15658	Cable tie mount, 1 in square	Consult
4	15631	Cable ties, 3 in	Consult
5	15071	Load cell screw	Consult
6	73801	Foot assembly	Consult
7	21528	Load cell, RL35023 - 1000 lb (2000 lb scale)	Consult
7	21530	Load cell, RL35023 - 2500 lb (5000 lb scale)	Consult
7	21532	Load cell, RL35023 - 4000 lb (10,000 lb scale)	Consult
8	75819	Mounting plate, (set of two plates)	Consult
9	15051	Overload stops (Canadian legal-for trade model only)	Consult
11	14960	J-box cover screws	Consult
12	66454	Cord grip (snap in) (3 x 3 and 4 x 4 models only)	Consult
13	15628	Cord grip, black 1/2 in (4 x 4 models and 5 x 5 models only)	Consult
14	15630	Nut, cord grip 1/2 in	Consult

(See Diagram Summit 3000-A)



Summit 3000-A

