

# Remote Displays / Scoreboards

---

## TABLE OF CONTENTS

<b>LaserLight2™</b> .....	<b>914</b>
<i>Remote Display</i>	
<b>LaserLight3™</b> .....	<b>916</b>
<i>Color Messaging Remote Display</i>	
<b>LaserLT-60 and LaserLT-100</b> .....	<b>918</b>
<i>Remote Display or Weight Indicators</i>	
<b>RD-232</b> .....	<b>920</b>
<i>Remote Display</i>	
<b>RD-300</b> .....	<b>921</b>
<i>Remote Display</i>	

*Product names, logos, brands and other trademarks featured or referred to within this publication are the property of their respective trademark holders.*

# LaserLight2™

Remote Display



## Specifications

### Display:

6-digit, 7-segment discrete red LED lamps  
 Contrast enhanced optical filtering lens  
 1 or 2 place decimal or comma indication  
 4 annunciators for GR, NT, lb, kg  
 4-inch red, green ball/arrow in stop/go model

### Maximum Viewing Distance:

4 in: 100 ft (30 m)  
 6 in: 150 ft (46 m)

### Input Interface:

RS-232, RS-485, 20 mA current loop (active or passive, switch selectable)

### Output Interface:

Configurable echo out port or RS-232

### Input Data Format:

Baud Rate: 1200, 2400, 4800, 9600 and 19200  
 Self-learning or software selectable

### Character Format:

7 or 8 data bits; even, odd, or no parity; 1 or 2 stop bits, self-learning or software selectable

### Update:

Continuous or out-of-motion only;  
 software selectable

### Power Consumption:

AC voltages: 100/240 VAC; 50/60 Hz  
 4 in: 21 watt  
 6 in: 27 watt

### Time:

Software enable/disable, 12- or 24-hour format

### Date:

Software enable/disable, US or ISO format

### Rating/Material:

IP66 weather tight, mild steel, powder coated

### Weight:

4 -inch: 20 lb (9 kg)  
 6 -inch: 25 lb (11 kg)

### Operating Temperature Range:

-40 °F to 120 °F (-40 °C to 49 °C)

### Warranty:

Two-year limited

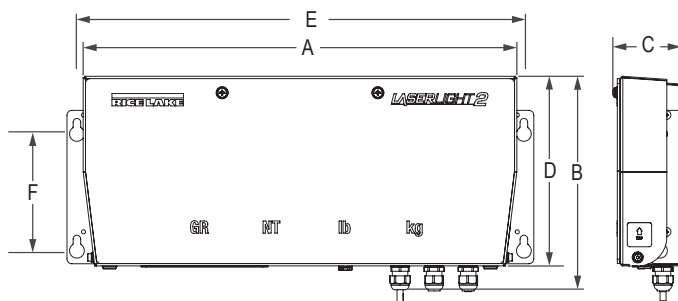
## Dimensions

LaserLight2			
22-inch Enclosure (Four-inch Model)			
A	22.28 in (565 mm)	D	9.80 in (250 mm)
B	10.96 in (280 mm)	E	23.00 in (584 mm)
C	3.28 in (85 mm)	F	6.00 in (152 mm) 3/8 inch bolt
31-inch Enclosure (Six-inch and Stop/Go Models)			
A	30.63 in (780 mm)	D	12.77 in (325 mm)
B	13.94 in (355 mm)	E	31.00 in (787 mm)
C	3.73 in (95 mm)	F	7.75 in (197 mm) 3/8 inch bolt

(Flanges add 2.00 in width)

## Standard Features

- Available with a 4 in (100 mm) or 6 in (150 mm) digit display
- Six high-intensity red digits (double-row discrete LED)
- Time and date displayed when scale is empty
- Auto Learn mode of communication protocols
- Hold displayed weight (demand input)
- Software selectable standstill mode for no updates while in motion
- Setting for 10 levels, daylight/night intensity
- Non-glare contrast filtered lens
- Mirror (reverse image) function
- Wall mounted with side flanges or with VESA mount
- Goretex® breather vent inhibits internal moisture buildup
- Red, green and arrow lights in stop/go version, set with either digital input or serial command



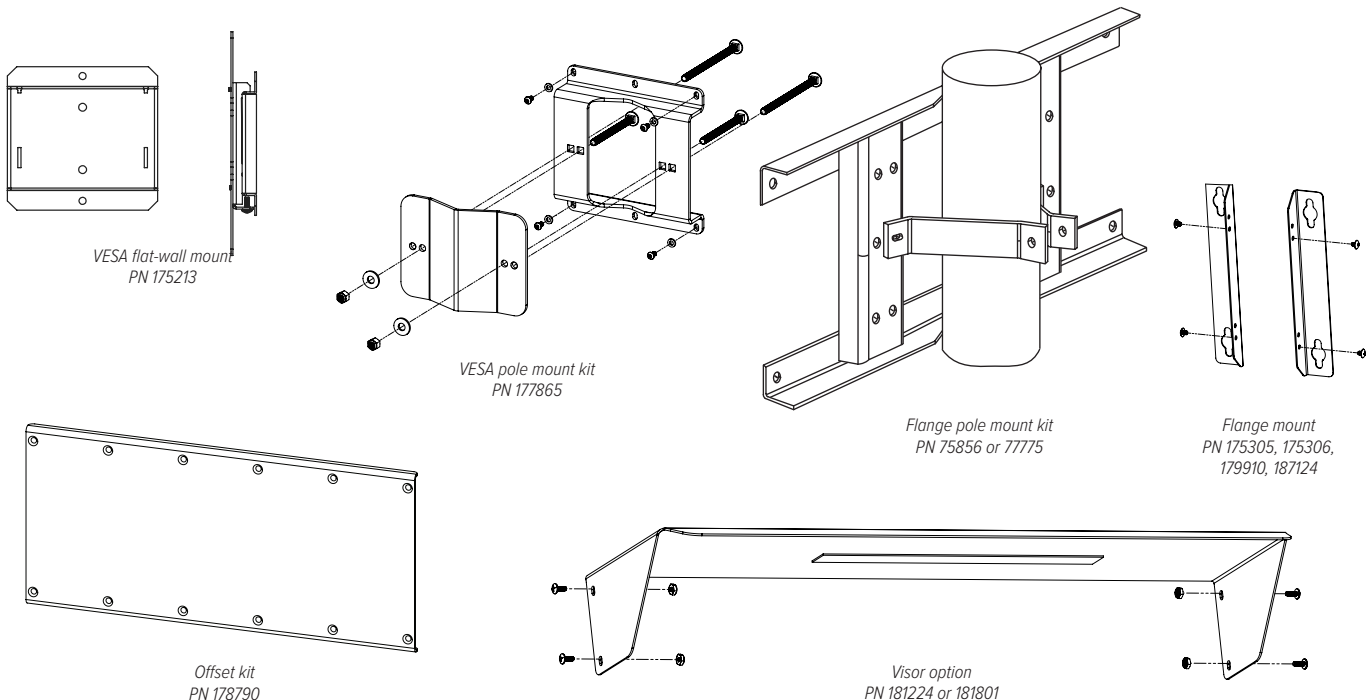
REMOTE DISPLAYS /  
SCOREBOARD

## Part Number/Price

Part #	Description	Est. Weight	Price
<b>Includes Flange Mount Hardware</b>			
167091	LaserLight2 remote display 4-inch (100 mm) includes PN 175305	20 lb	\$2,015.00
167092	LaserLight2 remote display 6-inch (150 mm) includes PN 175306	25 lb	\$2,550.00
167093	LaserLight2 remote display stop/go 4-inch (100 mm) includes PN 175306	25 lb	\$2,550.00
175286	LaserLight2 remote display 4-inch (100 mm) stainless steel includes PN 179910	20 lb	\$2,400.00
187120	LaserLight2 remote display stop/go 4-inch (100 mm) stainless steel includes PN 187124	25 lb	\$2,975.00
<b>Includes VESA Mount Hardware</b>			
175860	LaserLight2 remote display 4-inch (100 mm) includes PN 175213	20 lb	\$2,040.00
175861	LaserLight2 remote display 6-inch (150 mm) includes PN 175213	25 lb	\$2,575.00
175862	LaserLight2 remote display stop/go 4-inch (100 mm) includes PN 175213	25 lb	\$2,575.00

## Options/Accessories

Part #	Description	Price
175052	Wireless interface, pair of ConnexLink Radios and mount	\$835.00
214644	Wireless interface, ConnexLink radio client kit	\$495.00
175213	Mount bracket, VESA flat-wall option (included with VESA mounted remote)	\$95.00
175305	Mount bracket, 4-inch flange option (included with flange mounted remote)	\$29.00
175306	Mount bracket, 6-inch flange option (included with flange mounted remote)	\$29.00
179910	Mount bracket, 4-inch stainless steel flange option (included with flange mounted stainless steel remote)	\$32.00
187124	Mount bracket, 6-inch stainless steel flange option (included with flange mounted stainless steel remote)	\$42.00
75856	Pole mount kit, 4-inch flange option (24-inch wide frame for 4-8 inch dia. pole)	\$280.00
7775	Pole mount kit, 6-inch and 4-inch stop/go flange option (32-inch wide frame for 4-8 inch dia. pole)	\$280.00
177865	Pole mount kit, VESA flat-wall option mount for 2-6 inch pole	\$90.00
178790	Offset kit (right or left flag mount) used with universal pole mount (requires PN 177865)	\$82.00
181224	Visor for 22 inch enclosure (not required for weather protection)	\$190.00
181801	Visor for 31 inch enclosure (not required for weather protection)	\$205.00



REMOTE DISPLAYS /  
SCOREBOARD

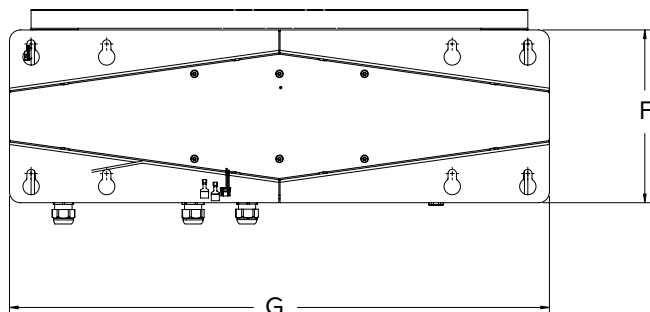
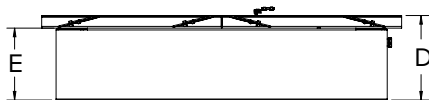
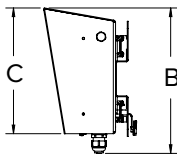
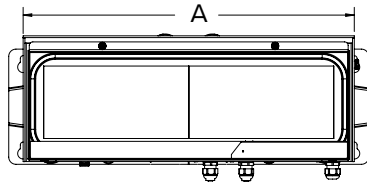
# LaserLight3™

Color Messaging Remote Display



## Dimensions

LaserLight3			
A	23.00 in (584 mm)	E	5.00 in (127 mm)
B	10.10 in (256 mm)	F	8.00 in (203 mm)
C	8.73 in (222 mm)	G	25.02 in (636 mm)
D	5.87 in (149 mm)		



Mount Plate

## Standard Features

- Vibrant 128- by 32-pixel LED color display with non-glare lens; high-intensity digits up to 5 inches tall
- Color commands change background and foreground text
- Auto Learn identifies and interprets the source weight data string for maximum compatibility with a wide range of indicators
- Versatile layout choices include mirror mode, 1-line, 2-line and quadrant format
- Dynamic messaging views can scroll, slide or flash
- Display stop/go light symbols/arrows with digits up to 4 inches tall
- Selectable time/date when weight is at zero
- Integrated weathertight keypad for sending configurable scale commands to the indicator
- Durable IP66 enclosure with Gore-Tex® breather vent to inhibit internal moisture
- RS-232, RS-422, 20 mA and Ethernet TCP/IP
- Mounting options include VESA, flange and pole configurations

## Options

- Wireless LAN, Wi-Fi interface 802.11 a/b/g/n
- Wireless interface, pair of ConnexLink radios and mount
- Pole mount kit for 4 to 8 inch pole
- VESA kit for 2 to 6 inch pole
- Sunshade visor, 8-inch painted steel

## Specifications

### Power Consumption:

AC voltages: 100 to 240VAC; 50/60 Hz  
120 watt (120 VAC)  
95 watt (12 VDC)

### Output Interface:

Ethernet TCP/IP, independently configurable echo port

### Input Data Format:

Baud Rate: 1200, 2400, 4800, 9600, 19200, 38400, 57600 and 115200 self-learning or configurable

### Update:

Continuous or out-of-motion modes  
Message interrupt mode

### Digital I/O:

Four I/O read or set  
5V logic

### Communication Ports:

Ethernet TCP/IP, RS-232, RS-485,  
20 mA passive loop

### Optional

ConnexLink™ wireless radio,  
WLAN interface 802.11 a/b

### Character Format:

7 or 8 data bits; even, odd, or no parity;  
1 or 2 stop bits

### Maximum Viewing Distance:

4-inch character: 100 ft (30 m)  
5-inch character: 150 ft (46 m)

### Viewing Angle:

160°

### Display:

Bright, outdoor color LED lamps  
128 × 32-pixel, 4 mm pitch  
Decimal or comma indication  
Weight display with units and mode  
Message display 1, 2 or 4 lines  
Stop/go and directional arrow

### Keys/Buttons:

Integrated keypad

### Time:

Software enable, 12- or 24-hour format

### Date:

Software enable, US or ISO format

### Dimensions:

(L × W × H)  
25 × 10 × 6 in

### Temperature Range:

Operating: -40 °F to 120 °F (-40 °C to 49 °C)

### Rating/Material:

IP66 weathertight  
Mild steel, powder-coated

### Weight:

Without wall mount:  
14.19 lb (7.81 kg)  
With wall mount:  
20.48 lb (10.66 kg)  
With sunshade:  
29.79 lb (14.88 kg)

### Warranty:

Two-year limited

**Part Number/Price**

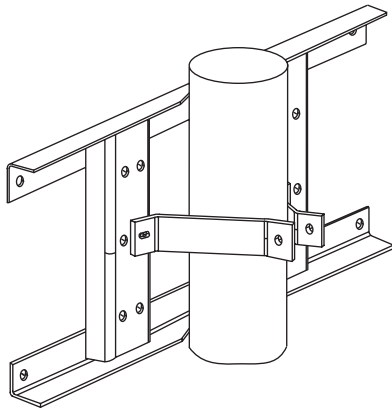
Part #	Description	Est. Weight	Price
<b>Remote Display</b>			
214825	LaserLight3 color 5-inch messaging remote display	20 lb	\$2,110.00
<b>Weight Indicator</b>			
205780	LaserLight3 large display weight indicator, 32x128 LED, 115-230 VAC	20 lb	\$2,495.00

**Options/Accessories**

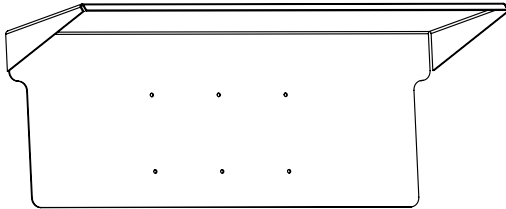
Part #	Description	Price
212745	Pole mount kit, VESA flat-wall, 200 mm W x 100 mm H, 6 fasteners (M4 x 8 mm) for 2-6 inch pole	\$100.00
75856	Pole mount kit, 4-inch flange style (24-inch wide frame use with 4-8 inch dia. pole)	\$280.00
208807	Sunshade, 8-inch	\$135.00
209118	Wireless LAN, RS-232/Wi-Fi interface 802.11 a/b XPico module	\$250.00
212753	RF interface, paired ConnexLink radios transceiver kit and mount	\$835.00



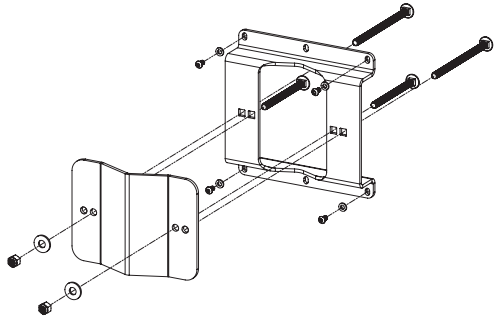
*Optional sun visor*



*Flange pole mount kit  
PN 75856*



*Sunshade  
PN 208807*



*VESA pole mount kit  
PN 212745*

**REMOTE DISPLAYS /  
SCOREBOARD**

# LaserLT-60 and LaserLT-100

Remote Display or Weight Indicators



LaserLT-60



LaserLT-100

Approvals



## Part Number/Price

Part #	Description	Price
<b>Remote Display</b>		
185253	LaserLT-60 remote display, 2.4 in (60 mm) LED	\$1,330.00
185255	LaserLT-100 remote display, 4.0 in (100 mm) LED	\$1,715.00
<b>Weight Indicator</b>		
197453*	LaserLT-60, indicator for weighing 2.4 in (60 mm) LED	\$1,380.00
197454*	LaserLT-100, indicator for weighing 4.0 in (100 mm) LED	\$1,765.00

\*See Instrumentation catalog section for LaserLT models that are configurable as a weight indicator (using SCT-1100 firmware).

- Max 10,000 divisions or multi-range
- A/D 24 bit 4-channel conversion
- Connect 4 cells with summing or up to 4 independent weighing systems

## Options/Accessories

Part #	Description	Price
185256	Mount bracket, 2 tilting side brackets for LaserLT-100	\$65.00
185258	Visor for LaserLT-100	\$165.00

## Standard Features

- LED display
- Auto Learn mode, weight value only
- Manual configuration for format length, weight location, termination character
- Manual Configuration mode for reading weight, variables and bitmap bytes
- Parameters for motion, overload, decimal point, net character, COZ
- Status LEDs for Zero, Motion, Net, Unit 1, Unit 2
- Integrated five-key waterproof keypad with configurable scale commands
- Adjustment for six levels of brightness through the keypad
- Includes removable back wall mount bracket
- Fitted with anti-condensation air valve to regulate humidity and pressure

## Specifications

### Power:

AC voltages: 110 to 240 VAC  
DC voltages: 12 to 24 VDC

### Display:

6-digit, 7-segment discrete red LED lamps, single width  
2.4 in (60 mm) or 4 in (100 mm) digit  
Decimal/comma indication in any position  
Annunciators for NT, Stability, COZ

### Maximum Viewing Distance:

LaserLT-60: 2.4 in digit 75 ft (25 m)  
LaserLT-100: 4 in digit 100 ft (30 m)

### Communication Ports:

RS-232, RS-485

### Input Data Format:

Baud rate: 1200 to 115.2 K software selectable  
Even parity 7 data bits, or no parity 8 data bits

### Update:

Software selectable 1-20/sec

### Digital I/O:

Two inputs, 12 to 24 VDC  
Two outputs, 48 VAC, 60 VDC max

### Rating/Material:

304 stainless steel, IP68

### Weight:

10 lb

### Operating Temperature:

-40 °F to 120 °F (-40 °C to 49 °C)

### Warranty:

One-year limited

### Approvals:

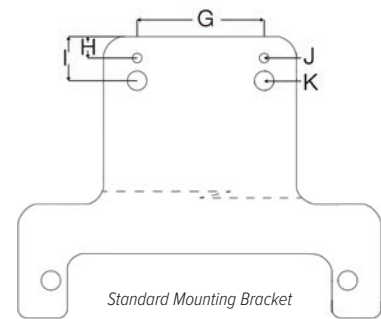
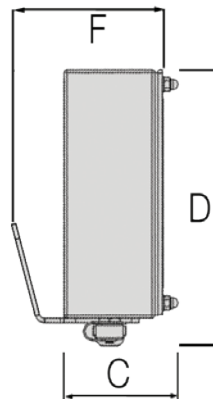
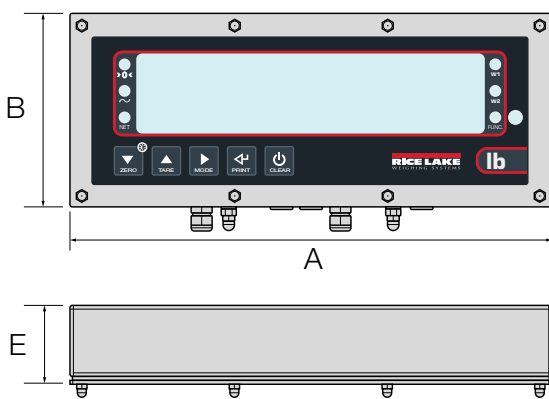
CE Marked

# LaserLT-60 and LaserLT-100

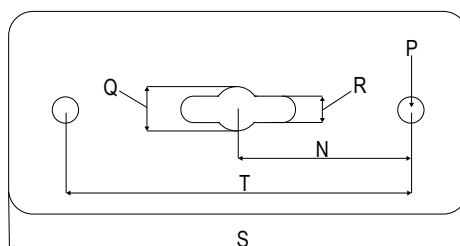
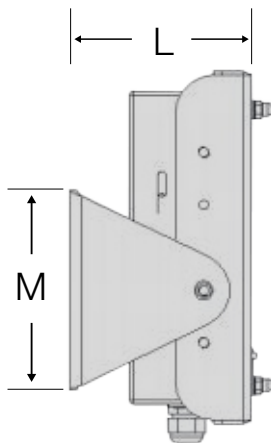
Remote Display or Weight Indicators

## Dimensions

LaserLT-60/LaserLT-100			
LaserLT-60			
A	16.14 in (410 mm)	D	7.28 in (185 mm)
B	6.50 in (165 mm)	E	2.64 in (67 mm)
C	3.03 in (77 mm)	F	4.84 in (123 mm)
LaserLT-100			
A	16.93 in (430 mm)	D	7.63 in (194 mm)
B	7.28 in (185 mm)	E	2.52 in (64 mm)
C	2.52 in (64 mm)	F	3.98 in (101 mm)
Mount Bracket Hole Dimensions			
G	2.36 in (60 mm)	J	0.24 in (6 mm)
H	0.39 in (10 mm)	K	0.39 in (10 mm)
I	0.81 in (21 mm)		



Optional Side Bracket for LaserLT-100 Hole Dimensions			
L	3.98 in (101 mm)	Q	0.43 in (11 mm)
M	4.13 in (105 mm)	R	0.28 in (7 mm)
N	1.57 in (40 mm)	S	4.13 in (105 mm)
P	0.28 in (7 mm)	T	3.15 in (80 mm)



LaserLT-100  
Optional Side Bracket

REMOTE DISPLAYS /  
SCOREBOARD



# RD-232

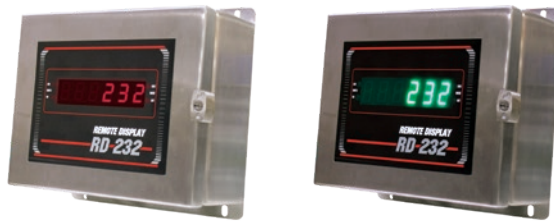
Remote Display



RD-232 NEMA Type 4X FRP Enclosure



RD-232 Compact Stainless Steel Wall Mount Enclosure



RD-232 NEMA Type 4X Stainless Steel Wall Mount Enclosure

## Standard Features

- AC or DC operation
- Easy-to-read 0.8 in (20 mm) LED red or green (sunlight visible)
- Three enclosure types or panel mount kit
- Four annunciators
- Full floating decimal point
- Compatible with a variety of digital weighing indicators; DIP switch selectable intuitive data receiver interprets serial strings

## Specifications

### Display:

6-digit, 7-segment, 0.8 in (20 mm) LED  
Red (standard intensity)  
Green (sunlight visible)

### Annunciators:

lb, kg, gross, net

### Operating Voltage:

115 VAC, 230 VAC available  
DC voltage Range: 6.2-18 VDC

### Input Interface:

RS-232, 20 mA active or passive current loop  
ASCII compatible

### Baud Rate:

Selectable: 300, 600, 1200, 2400, 4800,  
9600, 19200

### Operating Temperature:

-13 °F to 104 °F (-25 °C to 40 °C)

### Rating/Material:

NEMA Type 4X FRP or stainless steel

### Weight:

Approximately 5 lb (2.3 kg)  
Stainless steel unit, approximately 8 lb (3.6 kg)

### Warranty:

One-year limited

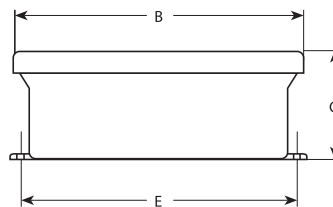
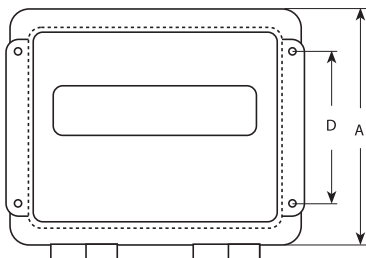
## Part Number/Price

Part #	Description	Est. Weight	Price
<b>Red LED</b>			
32716	RD-232, 115 VAC/12 VDC, FRP enclosure, red LED	5 lb	\$1,030.00
68786	RD-232, 115 VAC/12 VDC, compact stainless steel wall mount enclosure, red LED	5 lb	\$1,030.00
32717	RD-232, 115 VAC/12 VDC, NEMA Type 4X stainless steel wall mount enclosure, red LED	8 lb	\$1,280.00
32727	RD-232, 115 VAC/12 VDC, panel mount, red LED	3 lb	\$980.00
34748	RD-232, 230 VAC/12 VDC, no power cord, FRP enclosure, red LED	5 lb	\$1,130.00
<b>Green LED</b>			
178168	RD-232, 117 VAC/12 VDC, FRP enclosure, green LED	5 lb	\$1,030.00
178169	RD-232, 117 VAC/12 VDC, compact stainless steel wall mount enclosure, green LED	5 lb	\$1,030.00
178170	RD-232, 117 VAC/12 VDC, NEMA Type 4X stainless steel wall mount enclosure, green LED	8 lb	\$1,280.00
178171	RD-232, 220 VAC/12 VDC, FRP enclosure, no power cord, green LED	5 lb	\$1,130.00

Specify interfacing indicator when ordering a remote display

## Options/Accessories

Part #	Description	Price
33210	Additional operating manual (RD-232/RD-300)	\$25.00



## Dimensions

RD-232			
FRP Enclosure			
A	8.00 in (203 mm)	D	4.00 in (101 mm)
B	9.50 in (241 mm)	E	9.00 in (222 mm)
C	6.00 in (152 mm)		
Stainless Steel Enclosure			
A	8.00 in (203 mm)	D	8.63 in (219 mm)
B	10.00 in (254 mm)	E	8.00 in (203 mm)
C	4.31 in (109 mm)		
Compact Stainless Steel Enclosure			
A	6.25 in (158 mm)	D	5.25 in (133 mm)
B	9.25 in (234 mm)	E	8.50 in (215 mm)
C	2.00 in (50 mm)		
Panel Mount			
A	5.88 in (149 mm)	D	5.12 in (130 mm)
B	7.88 in (200 mm)	E	7.12 in (180 mm)
C	2.00 in (50 mm)		





RD-300 NEMA Type 4X FRP Enclosure



RD-300 Compact Stainless Enclosure



RD-300 NEMA Type 4X Stainless Steel Enclosure

### Standard Features

- Easy-to-read 1 in (25 mm) LCD
- Three enclosure types or panel mount kit
- Status annunciators
- AC operation
- Backlight for dark conditions
- Compatible with a variety of digital weight indicators; intuitive data receiver automatically interprets serial strings

### Specifications

#### Display:

6-digit, 7-segment, 0.8 in (20 mm) LED

#### Annunciators:

lb, kg, gross, net

#### Operating Voltage:

115 VAC, 230 VAC available

DC Voltage Range: 6.2-18 VDC

#### Input Interface:

RS-232, 20 mA active or passive current loop

ASCII compatible

#### Baud Rate:

Selectable: 300, 600, 1200, 2400, 4800, 9600, 19200

#### Operating Temperature:

-13 °F to 104 °F (-25 °C to 40 °C)

#### Rating/Material:

NEMA Type 4X FRP or stainless steel

#### Weight:

Approximately 5 lb (2.3 kg)

Stainless steel unit, approximately 8 lb (3.6 kg)

#### Warranty:

One-year limited

### Part Number/Price

Part #	Description	Est. Weight	Price
68782	RD-300 AC, compact stainless steel enclosure with backlight	5 lb	\$1,055.00
22532	RD-300 AC, FRP enclosure with backlight	5 lb	\$1,055.00
22536	RD-300 AC, NEMA Type 4X stainless steel enclosure with backlight	8 lb	\$1,305.00
22540	RD-300 AC, panel mount with backlight	3 lb	\$980.00
34750	RD-300 AC, 230 VAC, FRP enclosure with backlight	5 lb	\$1,155.00

### Options/Accessories

Part #	Description	Price
33210	Additional operating manual (RD-300/RD-232)	\$25.00

### Dimensions

RD-300			
FRP Enclosure			
A	8.00 in (203 mm)	D	4.00 in (101 mm)
B	9.50 in (241 mm)	E	8.75 in (222 mm)
C	6.00 in (152 mm)		
Stainless Steel Enclosure			
A	8.00 in (203 mm)	D	8.63 in (219 mm)
B	10.00 in (254 mm)	E	8.00 in (203 mm)
C	4.31 in (109 mm)		
Compact Stainless Steel Enclosure			
A	6.25 in (158 mm)	D	5.25 in (133 mm)
B	9.25 in (234 mm)	E	8.50 in (215 mm)
C	2.00 in (50 mm)		
Panel Mount			
A	5.88 in (149 mm)	D	5.12 in (130 mm)
B	7.88 in (200 mm)	E	7.12 in (180 mm)
C	2.00 in (50 mm)		

