

Weighing and Issuing a Label

Power ON



Call up PLU

Enter PLU number and press **PLU** key,
OR press **PRESET** key

Example: 1 →



Place the product on the scale



Press the **PRINT** key to print a label



Note: The ASTRA scale must be configured to allow Open Pricing.

Temporary Price Change

WEIGHED ITEMS

Call up PLU

Enter PLU number and press **PLU** key,
OR press **PRESET** key

Example: 1 →



Enter the new UNIT PRICE

Example: \$1.25



Place the product on the scale



Press the **PRINT** key to print a label



FIXED PRICE ITEMS

Call up PLU

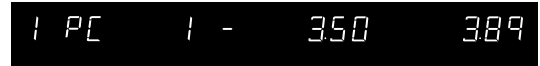
Enter PLU number and press **PLU** key,
OR press **PRESET** key

Example: 2 →



Enter the new TOTAL PRICE

Example: \$3.50



Press the **FIXED PRICE** key*



Press the **PRINT** key to print a label



***FIXED PRICE** function key must be programmed on the keyboard.

Auto Print Mode — Weighed Items

Press the **AUTO** key until AUTO INDICATOR is lit



000 000 000 000

Call up PLU

Enter PLU number and press **PLU** key,
OR press **PRESET** key

Example: 1 →

002 -002 189 000001

Place the product on the scale

002 285 189 539

Label is printed automatically

Remove the product from the scale

To disable AUTO PRINT MODE,
press the **AUTO** key



000 000 000 000

Auto Print Mode — Fixed Price Items

Press the **AUTO** key until AUTO INDICATOR is lit



000 000 000 000

Call up PLU

Enter PLU number and press **PLU** key,
OR press **PRESET** key

Example: 2 →

1 PC 1 - 389 389

Enter the delay time between labels in seconds, press
the **PEEL TIMER** key (optional)

Press the **PRINT** key



1 PC 1 - 389 389

Labels begin printing automatically

Press the **PRINT** key to halt AUTO PRINTING



To disable AUTO PRINT MODE,
press the **AUTO** key



1 PC 1 - 389 389

Printing a Fixed Quantity of Labels — Fixed Price Items

Press the **AUTO** key until AUTO INDICATOR is lit



000 000 000 000

Call up PLU

Enter PLU number and press **PLU** key,
OR press **PRESET** key

Example: 2 →

1 PC 1 - 389 389

Enter the delay time between labels in seconds, press
the **PEEL TIMER** key (optional)

Enter the number of labels to be printed

Example: 3

1 PC 1 - 003 389

Press the **PRINT** key



1 PC 1 - 389 389

Labels begin printing automatically

If necessary, press the **PRINT** key to halt printing



To disable AUTO PRINT MODE,
press the **AUTO** key



1 PC 1 - 389 389

Temporary Tare Change

Press the **ZERO** key until ZERO INDICATOR is lit



000 000 000 000

Call up PLU

Enter PLU number and press **PLU** key,
OR press **PRESET** key

Example: 1 →

002 -002 189 000000↓

Press the **TARE** key –
TARE WEIGHT display is "0.00"



000 000 189 000000↓

Place an empty container on the platter

Press the **TARE** key



000 005 189 009

005 000 189 000000↓

OR

Key in the TARE WEIGHT

Example: 5

Press the **TARE** key



000 000 005 000000↓

005 -005 189 000000↓

Place the product on the scale

Press the **PRINT** key to print a label



005 282 189 533

Multiple Pieces — Fixed Price Items

Call up PLU

Enter PLU number and press **PLU** key,
OR press **PRESET** key

Example: →

1 PC 1 - 389 389

Enter the number of pieces being purchased

Example:

1 PC 1 - 003 389

Press the **X** key*

3 PC 1 - 389 1167

Press the **PRINT** key to print a label

000 000 000 000

*X function key must be programmed on the keyboard.

Preset Function Keys

FIXED PRICE*

Used to temporarily change the selling price of a FIXED PRICE item.

VOID

Used to delete the previous transaction from the ACCUMULATED TOTALS.

MULTIPLY

Used to price multiple pieces of the same FIXED PRICE item.

PEEL TIMER

Used to set the time interval between labels for FIXED PRICE items in AUTO PRINT MODE. Enter time in seconds 1 to 9. Set to 0 to disable.

SPECIAL PRICE*

Used to temporarily set a reduced TOTAL PRICE.

DOUBLE 9

Used to enter two 9s by pressing a single key. Available in OPERATION MODE only.

AMOUNT DISCOUNT*

Used to temporarily subtract a dollar amount from the TOTAL PRICE.

DOUBLE 0

Used to enter two 0s by pressing a single key. Available in OPERATION MODE only.

PERCENT DISCOUNT*

Used to temporarily subtract a percentage from the TOTAL PRICE.

PERCENTAGE TARE

Used to temporarily set a TARE WEIGHT base on a percentage of GROSS WEIGHT.

SAVE

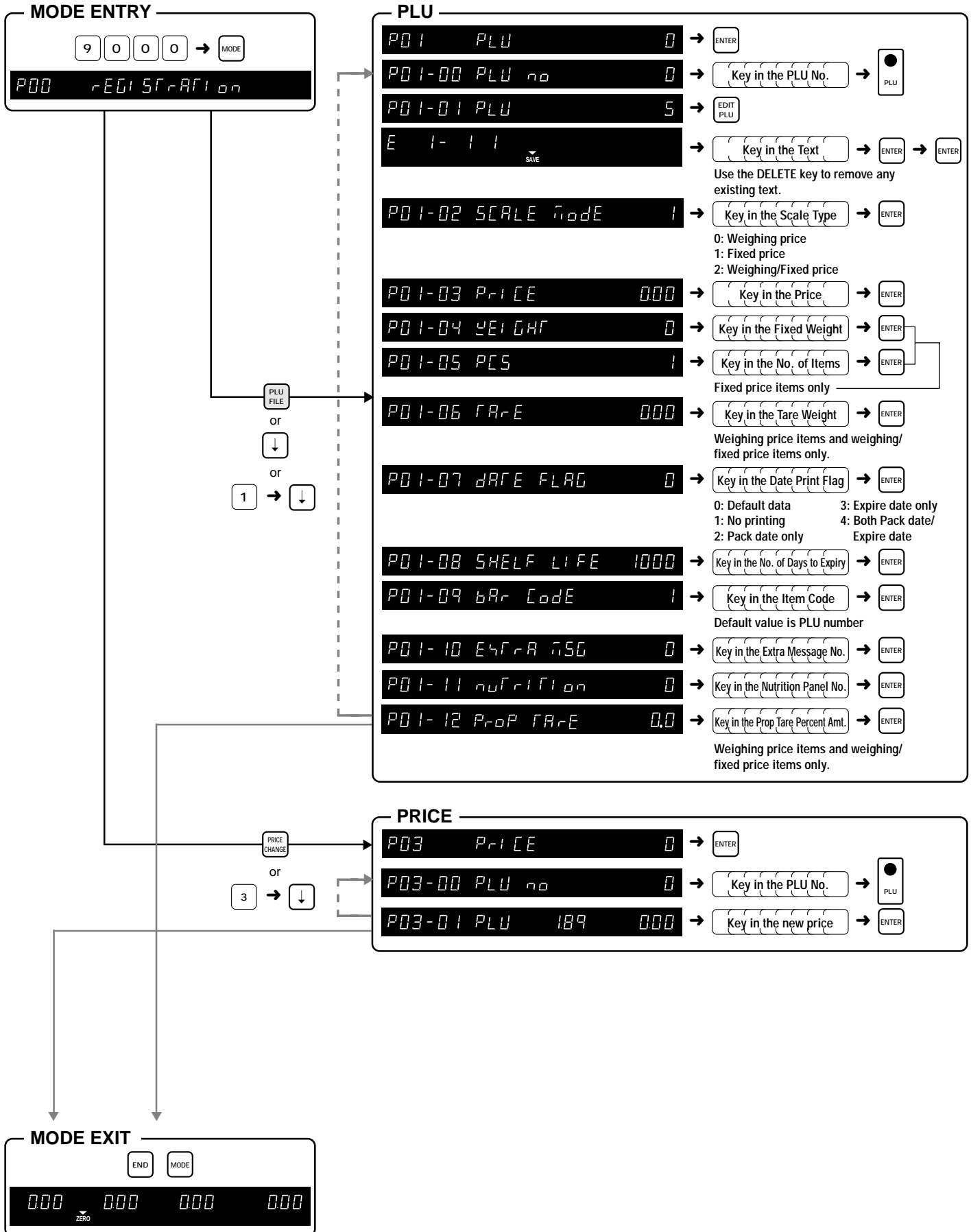
Used to retain the recalled PLU after the label has been issued.

EXTRA TEXT

Used to temporarily add a message to the end of a PLU description.

*Not available if the ASTRA is configured to prevent operator price changes.

P00 Registration Mode



MODE ENTRY

9 0 0 0 → MODE

P00 REGISTRATION

PRESET KEY

P04 PRESET KEY 0 → ENTER

P04-01 PRESET 0 → ENTER

PLU/Tare Preset Key

P04-01 01 0 0 0

Flag No.

To access the Lower Level of the preset keys, press the PRINT key.

PRINT

P04-01 01 0 0 0 → Key in the Preset Key Flag → FEED

Lower level

1: PLU 2: Tare

P04-01 01 0 0 0 → Key in the PLU No. or Tare Weight → Preset Key

P04-01 01 1 45 2 → MODE

Flag No. Key location Value

Preset Function Key

P04-01 01 0 0 0 → Key in the Preset Flag No. → FEED → 0

3: Fixed price	9: Extra text
4: X (Multiply)	10: Void
5: Special price	11: Peel timer
6: -\$	12: 99
7: -%	13: 00
8: Save	14: % Tare

↓ Preset Key

P04-01 07 7 27 0 → MODE

Preset flag no. Key location

SHOP NAME/ADDRESS

P05 SHOP ADDRESS 0 → ENTER

P05-01 SHOP 0 → ENTER

E 1-11 → SAVE → Key in the Text → ENTER

Use the DELETE key to remove any existing text.

↓

P05-02 ADDRESS 0 → ENTER

E 1-11 → SAVE → Key in the Text → ENTER

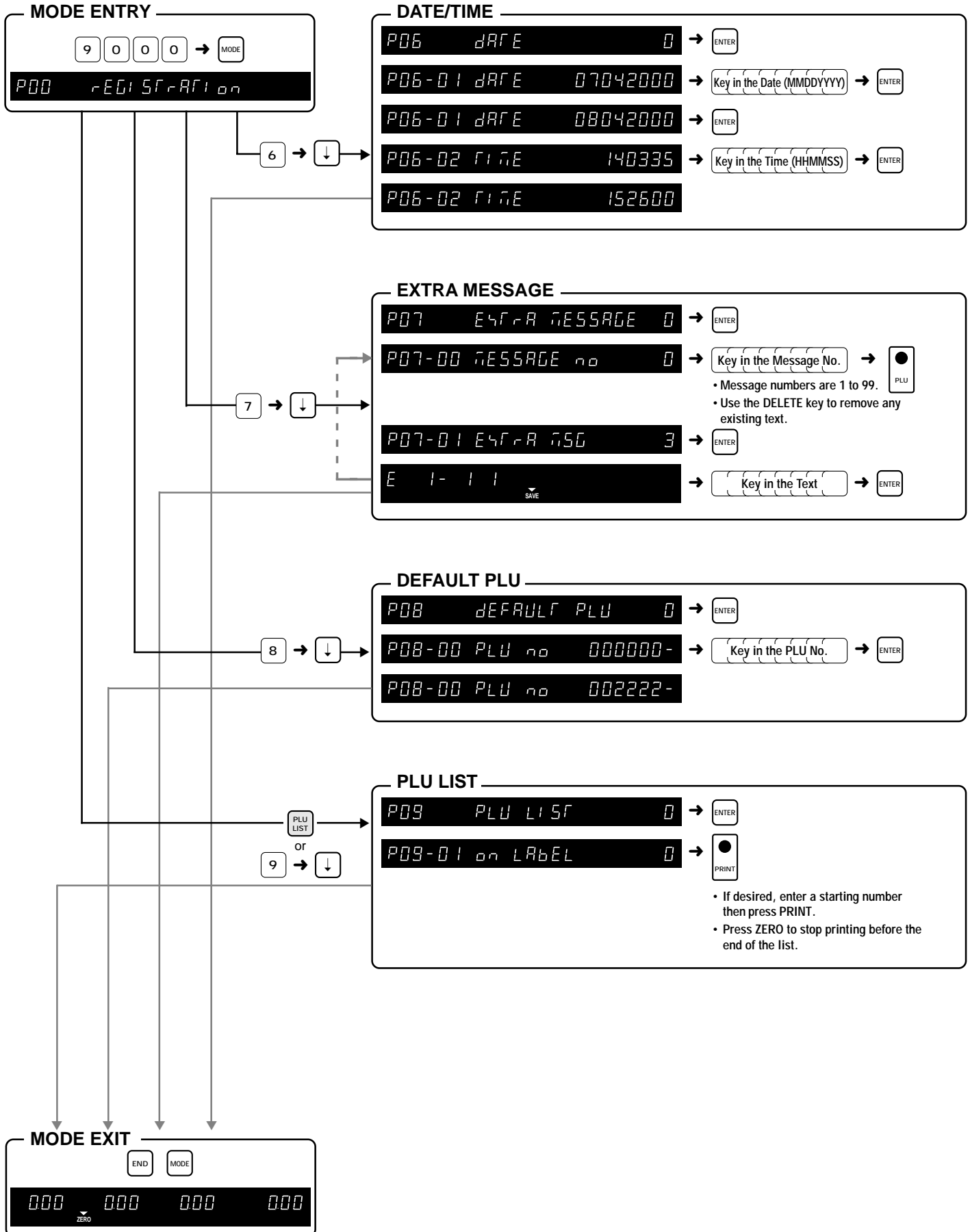
Use the DELETE key to remove any existing text.

P05-01 SHOP 0

MODE EXIT

END MODE

000 ZERO 000 000 000



MODE ENTRY

9 0 0 0 → MODE

P00 REGISTRATION

COMMUNICATION (SENDING)

P10 Configuration 0 → ENTER

P10-01 SEND DATA 0 → ENTER

P10-01-01 ALL DATA 0 → ↓ ... ↓ → ENTER

Select the information to be sent.

P10-01-01: All data	P10-01-06: Label fmt
P10-01-02: Shop name	P10-01-07: CNFG data
P10-01-03: PLU file	P10-01-08: Nutrition
P10-01-04: Presets	*P10-01-09: Prod. Totals
P10-01-05: Messages	

*Not available in all models.

COMMUNICATION (RECEIVING)

P10 Configuration 0 → ENTER

P10-01 SEND DATA 0 → ↓

P10-02 RECEIVE DATA 0 → ENTER

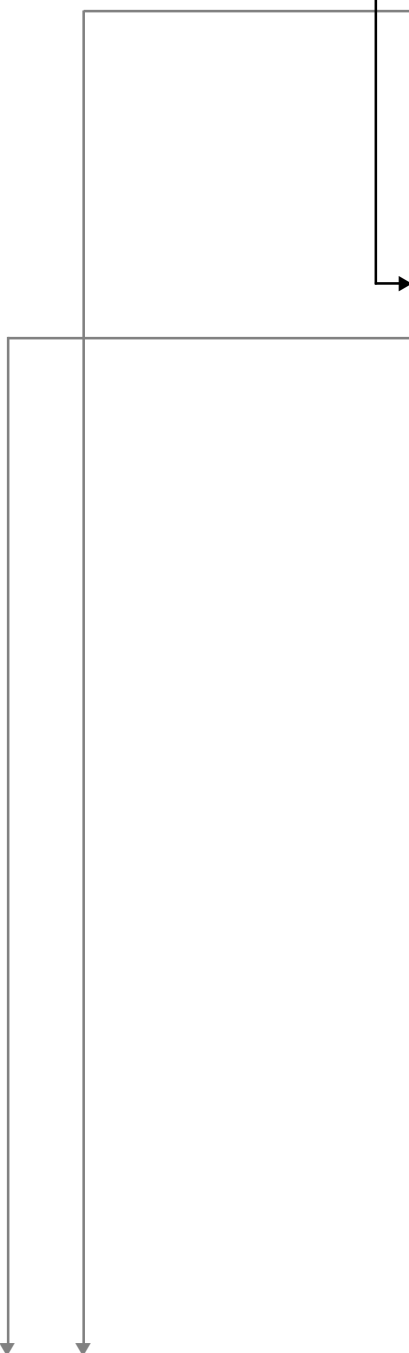
MODE EXIT

END MODE

000 000 000 000

ZERO

1 0 → ↓



F00 Total Mode

MODE ENTRY

8 0 0 0 → MODE

F00 TOTAL

MODE EXIT

MODE

000 000 000 000

ZERO

TOTAL Note: Totals accumulation must be enabled.

■ Grand Total

F01 Grand TOTAL → ENTER

F01-01 Print → PRINT → END

■ PLU Totals on Labels

F01 Grand TOTAL → ↓

F02 TOTAL on LABEL → ENTER

F02-01 Print → PRINT → END

■ PLU Totals on Receipt Paper

F01 Grand TOTAL → 3 → ↓

F03 TOTAL on PAPER → ENTER

F03-01 Print → PRINT → END

■ Total Clear

F01 Grand TOTAL → 4 → ↓

F04 TOTAL CLEAR → ENTER

F04-01 CLEAR → ZERO ZERO

F04-01 CLEAR PASS → END

F01 Grand TOTAL

d00 Subtraction Mode

MODE ENTRY

7 0 0 0 → MODE

d00 SUBTRACT

MODE EXIT

MODE

000 000 000 000

ZERO

SUBTRACTION

d01 PLU 0 → Key in the PLU No. → PLU → ↓

■ Quantity

d02 PCS 0 → Key in the Quantity → FEED → ↓

■ Weight

d03 WEIGHT 0 → Key in the Weight → FEED → ↓

■ Price

d04 PRICE 0 → Key in the Price → FEED → ↓

■ Subtraction

d05 SUB 0 → PRINT

d01 PLU 0

Note: A label is not printed when the PRINT key is pressed.