

# Medical Scales

## TABLE OF CONTENTS

PLATFORM/FITNESS SCALE .....	212
MECHANICAL PHYSICIAN SCALES .....	213
MEDICAL INDICATOR, TITANIUM .....	214
150-10-7 .....	215
<i>Floor Level</i>	
150-10-5, 150-10-6 .....	216
350-10-7, 350-10-8 .....	217
550-10-1 .....	218
350-10-4 .....	219
350-10-2, 350-10-3 .....	220
250-10-4 .....	221
250-10-2 .....	222
260-10-1 .....	223
DIGITAL BABY SCALE .....	224
MECHANICAL CHAIR SCALE .....	225
PORTABLE BARIATRIC/WHEELCHAIR SCALE .....	226
<i>Dual Ramp</i>	
PORTABLE BARIATRIC/WHEELCHAIR SCALE .....	228
<i>Single Ramp</i>	
BARIATRIC/WHEELCHAIR SCALE .....	230
<i>Beam and Column Assembly</i>	
DIALYSIS SCALE .....	231
MEDICAL INDICATOR, PLATINUM .....	232

# Platform/Fitness Scale



*Legal for Trade, floor level  
Model 140-10-7N*

## Part Number/Price

Part#	Description	Price
125406	Load cell	Consult
131089	Indicator battery board (model 140-10-7N)	Consult
131090	Display/CPU board	Consult
102503	Indicator keypad	Consult
102506	Sealed lead acid battery	Consult
102507	AC adaptor, 110VAC	Consult
131581	Load cell, NTEP Certified	Consult
106881	Indicator with tilt stand	Consult

# Mechanical Physician Scales

## Part Number/Price

Part#	Description	Price
109637	Height rod (RL-MPS, RL-MPS-10)	Consult
116380	Scale base foot (set of 5)	Consult
116381	Pillar screw with lock washer (set of 8)	Consult
175418	Black plastic cover for scale base	Consult
169569	Counterpoise set, one fine and one coarse weight	Consult



Model RL-MPS, RL-MPS-10

Medical Scales

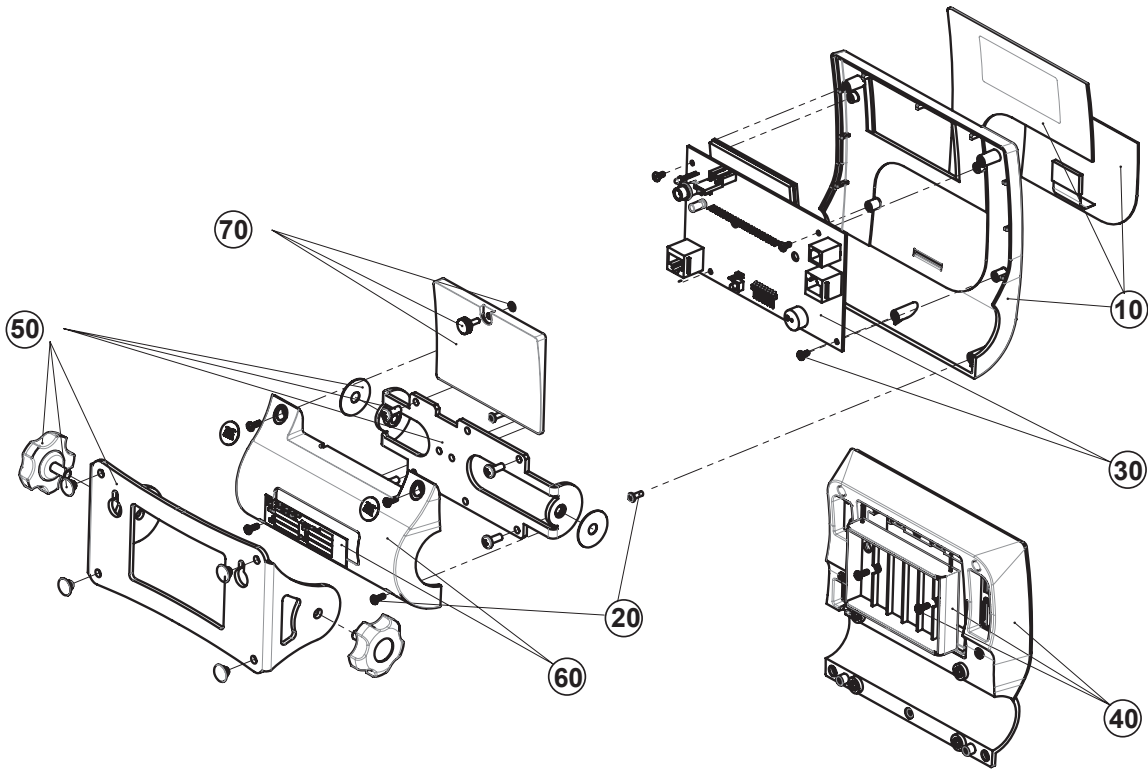
# Medical Indicator, Titanium



## Part Number/Price

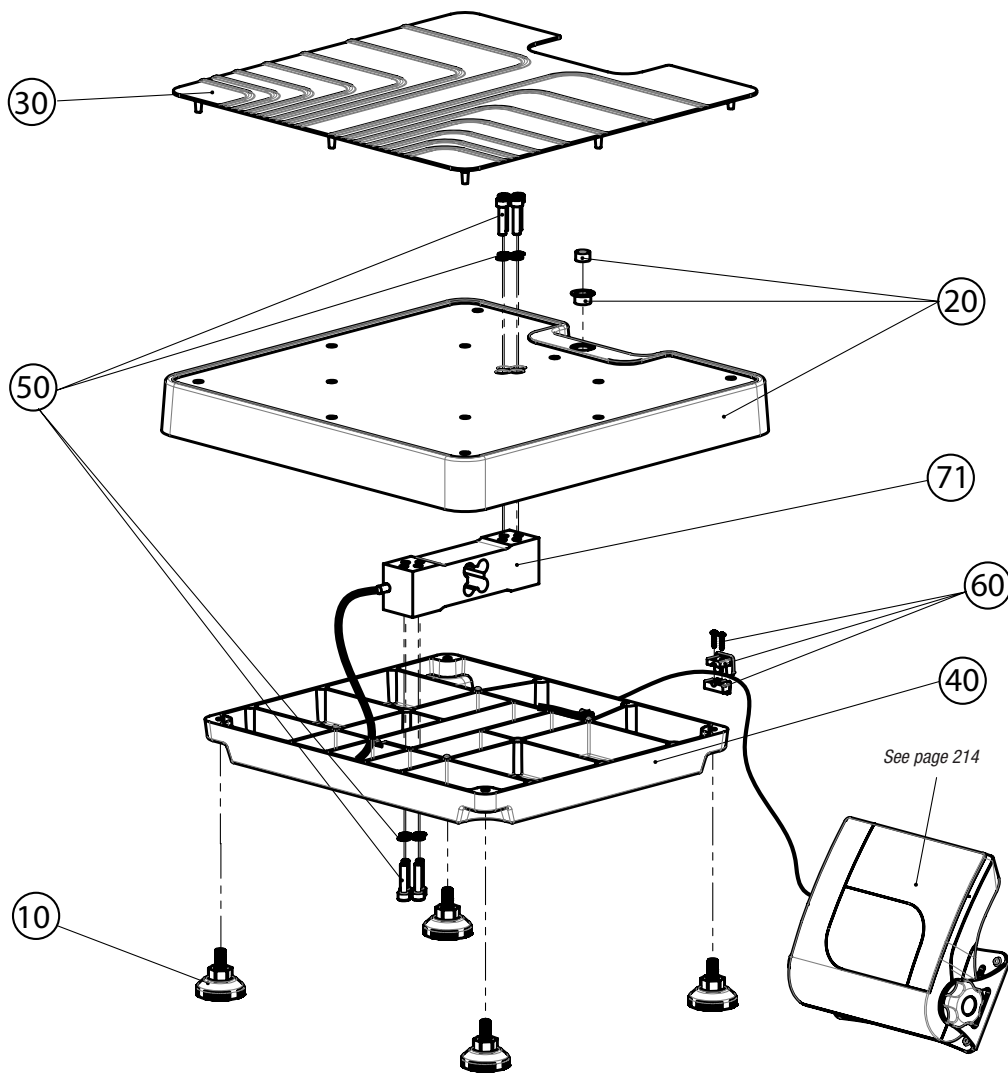
Ref#	Part#	Description	Price
	<b>131583</b>	Indicator	Consult
10	<b>164239</b>	Front, 150 indicator kit	Consult
20	<b>164240</b>	Hardware	Consult
30	<b>164241</b>	Circuit	Consult
	<b>204810</b>	Circuit with Bluetooth 2.0	Consult
	<b>204811</b>	Circuit with BLE	Consult
40	<b>164242</b>	Back panel	Consult
50	<b>164243</b>	Table	Consult
60	<b>164247</b>	Back cover	Consult
70	<b>164248</b>	Cover	Consult
	<b>133077</b>	Power supply, A/C adapter	Consult

Medical Scales



**Part Number/Price**

Ref#	Part#	Description	Price
10	164299	Feet (4)	Consult
20	164320	Platform without mat	Consult
30	164301	Mat	Consult
40	164321	Base	Consult
50	164304	Hardware, kit for load cell	Consult
60	164322	Cable clamp	Consult
71	164323	Load cell	Consult



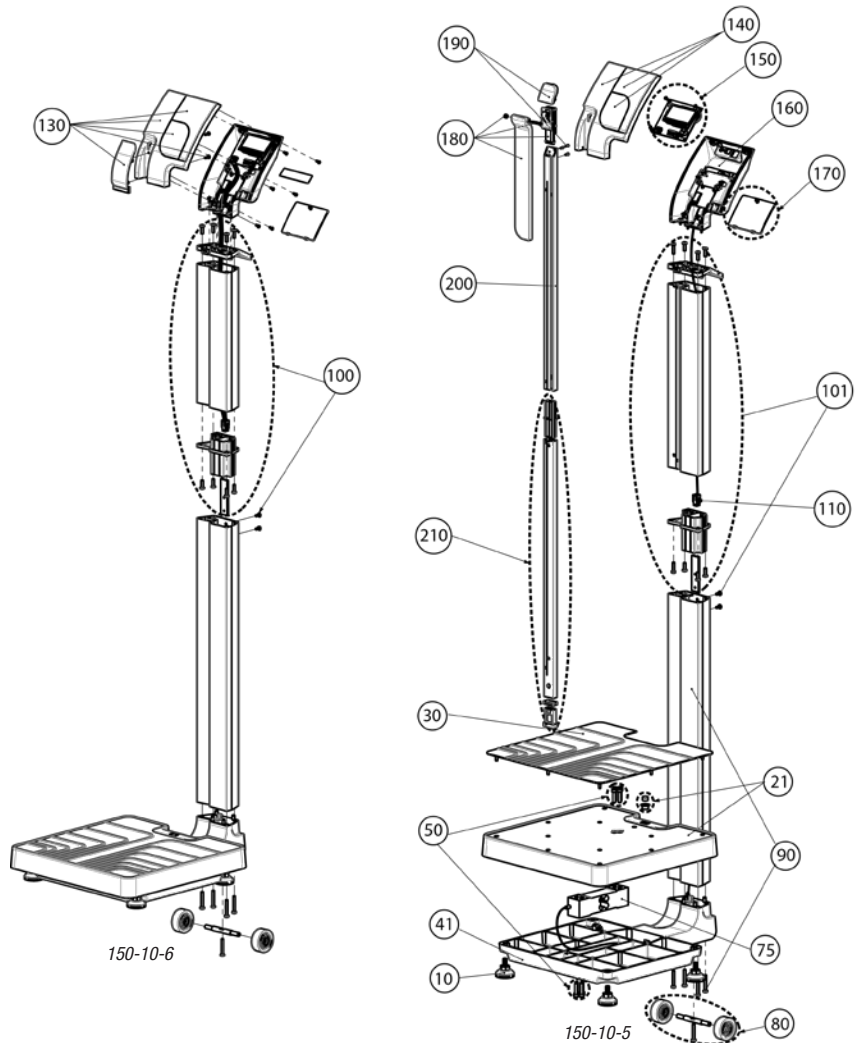
Medical Scales

MEDICAL SCALES

150-10-5, 150-10-6

Part Number/Price

Ref#	Part#	Description	Price
10	164299	Feet	Consult
21	164300	Platform	Consult
30	164301	Mat	Consult
41	164303	Base	Consult
50	164304	Hardware	Consult
75	164306	Load cell	Consult
80	164305	Wheels	Consult
90	164307	Pillar	Consult
100	164308	Pillar, top	Consult
101	164309	Pillar, top	Consult
110	164310	Cable	Consult
130	164311	Display	Consult
140	164312	Display	Consult
150	164313	PCB	Consult
	207939	PCB with Bluetooth 2.0	Consult
	207548	PCB with BLE	Consult
160	164314	Back cover	Consult
170	164315	Battery	Consult
180	164316	Height rod	Consult
190	164317	Height rod	Consult
200	164318	Height rod	Consult
210	164319	Height rod	Consult



Medical Scales

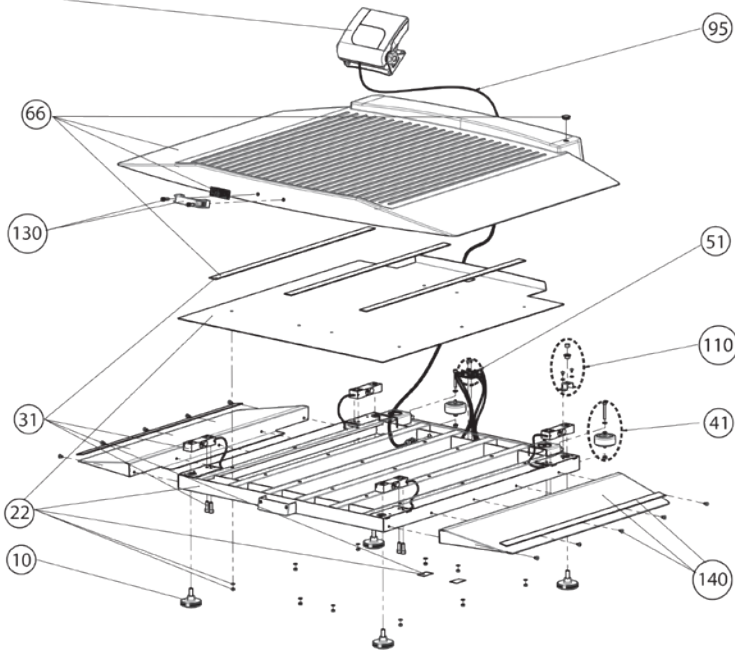
MEDICAL SCALES  
**350-10-7, 350-10-8**

**Part Number/Price**

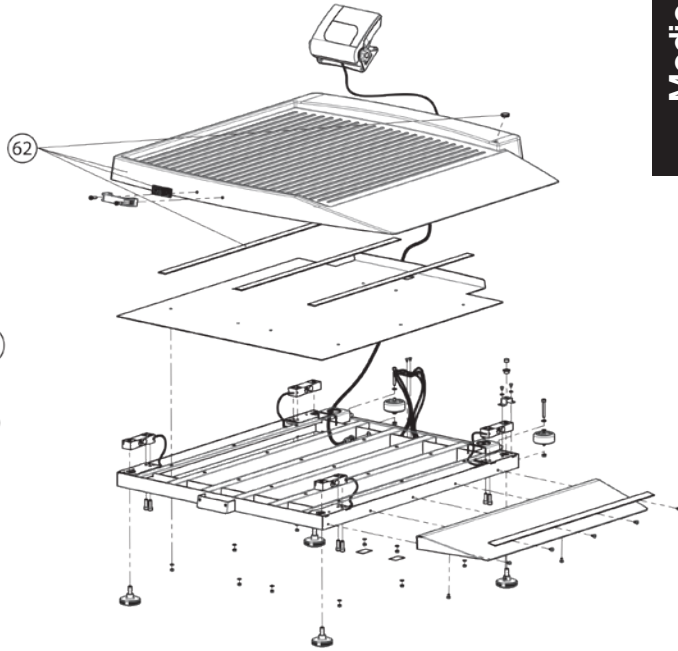
Ref#	Part#	Description	Price
10	164516	Feet	Consult
22	164518	Base	Consult
31	164521	Load cell	Consult
41	164534	Wheel	Consult
51	164578	Junction box	Consult
62	165029	Platform	Consult
66	165063	Platform	Consult
95	165072	Cable	Consult
110	165086	Spirit level assembly	Consult
130	165089	Carry handle	Consult
140	165090	Ramp	Consult



See page 214



350-10-8



350-10-7

**Medical Scales**

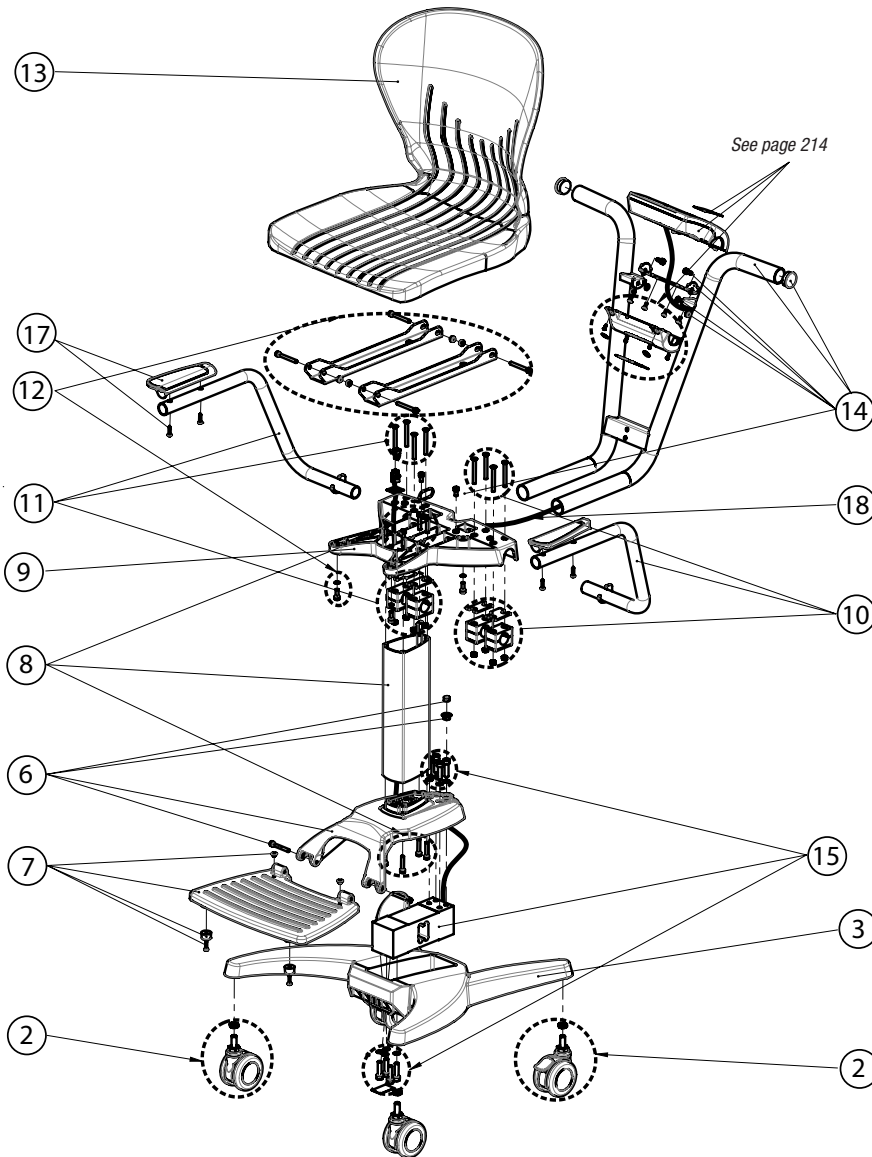
MEDICAL SCALES  
**550-10-1**

**Part Number/Price**

Ref#	Part#	Description	Price
2	164326	Castor	Consult
3	164327	Base	Consult
6	164328	Base	Consult
7	164329	Footrest	Consult
8	164330	Base	Consult
9	164331	Adapter	Consult
10	164332	Left arm	Consult
11	164333	Right arm	Consult
12	164334	Bracket	Consult
13	164324	Seat	Consult
14	164335	Handle	Consult
15	164336	Load cell and mounting screws	Consult
17	164337	Handles	Consult
18	164338	Cable	Consult



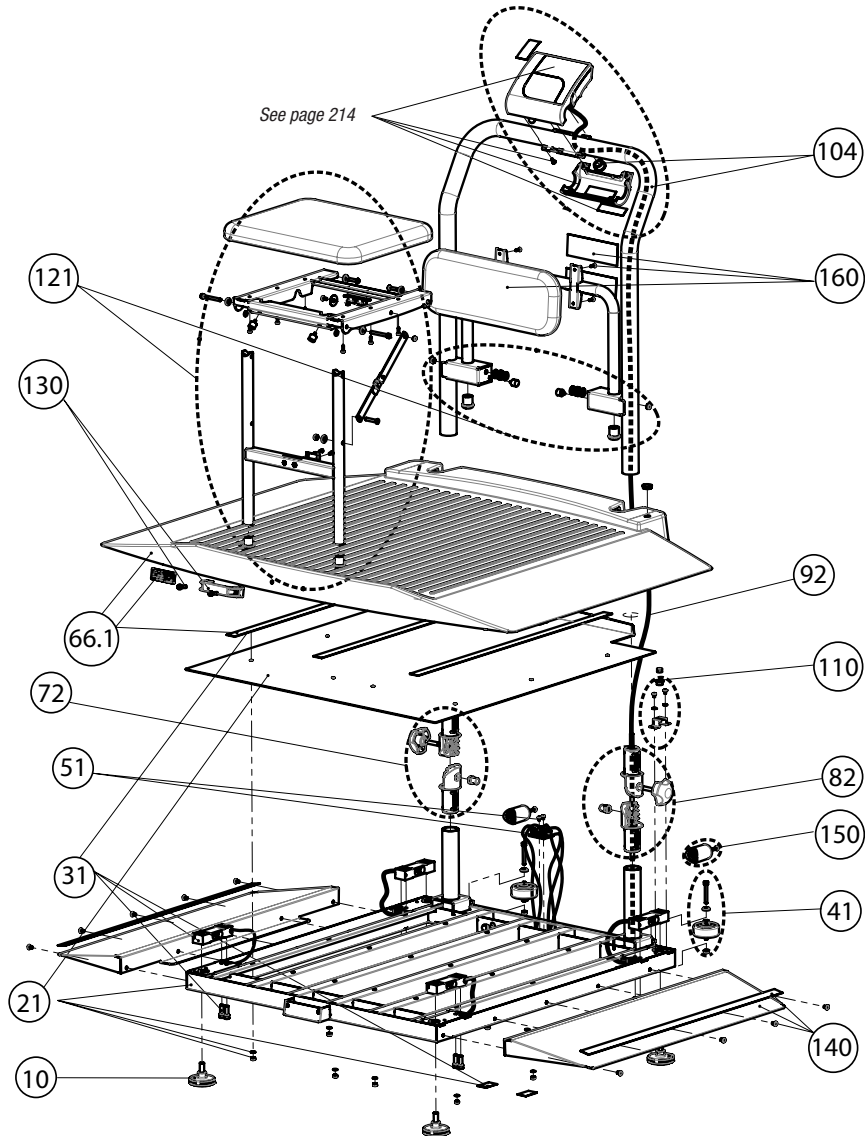
Medical Scales





**Part Number/Price**

Ref#	Part#	Description	Price
10	164516	Feet	Consult
21	164518	Base	Consult
31	164521	Load cell	Consult
41	164534	Wheel	Consult
51	164578	Junction box	Consult
66.1	165064	Platform	Consult
72	165066	Joint	Consult
82	165069	Joint	Consult
	102636	Circular handle for hinge joint	Consult
92	165071	Cable	Consult
104	165085	Handrail kit	Consult
110	165086	Spirit level assembly	Consult
121	165088	Seat kit	Consult
130	165089	Carry handle	Consult
140	165090	Ramp	Consult
150	165091	Rubber stop	Consult
160	165092	Back seat	Consult



**Medical Scales**

MEDICAL SCALES

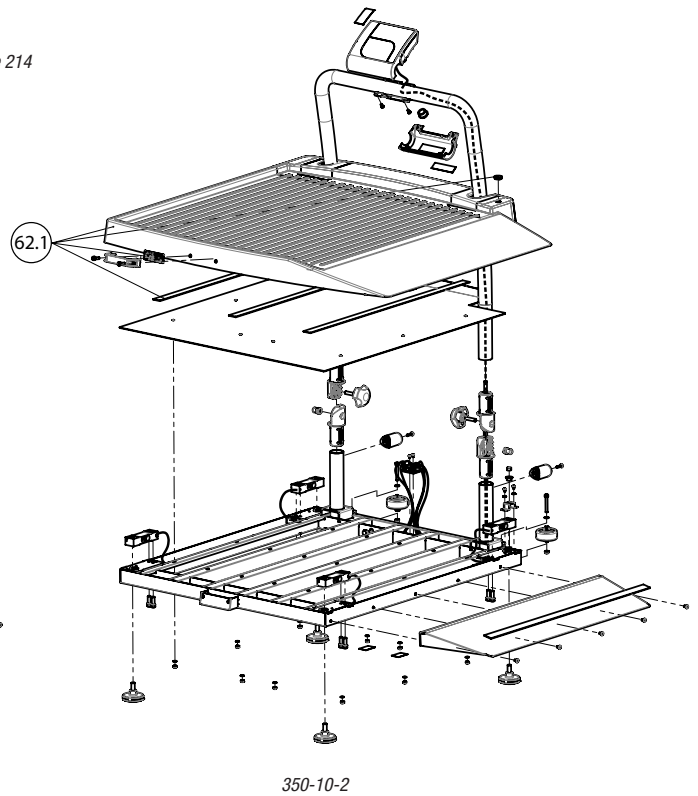
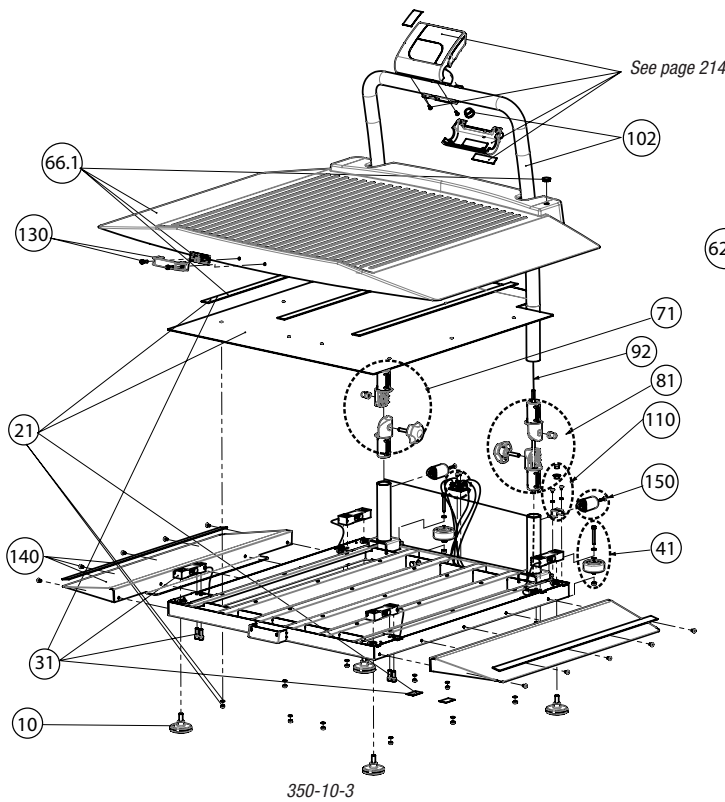
**350-10-2, 350-10-3**



**Part Number/Price**

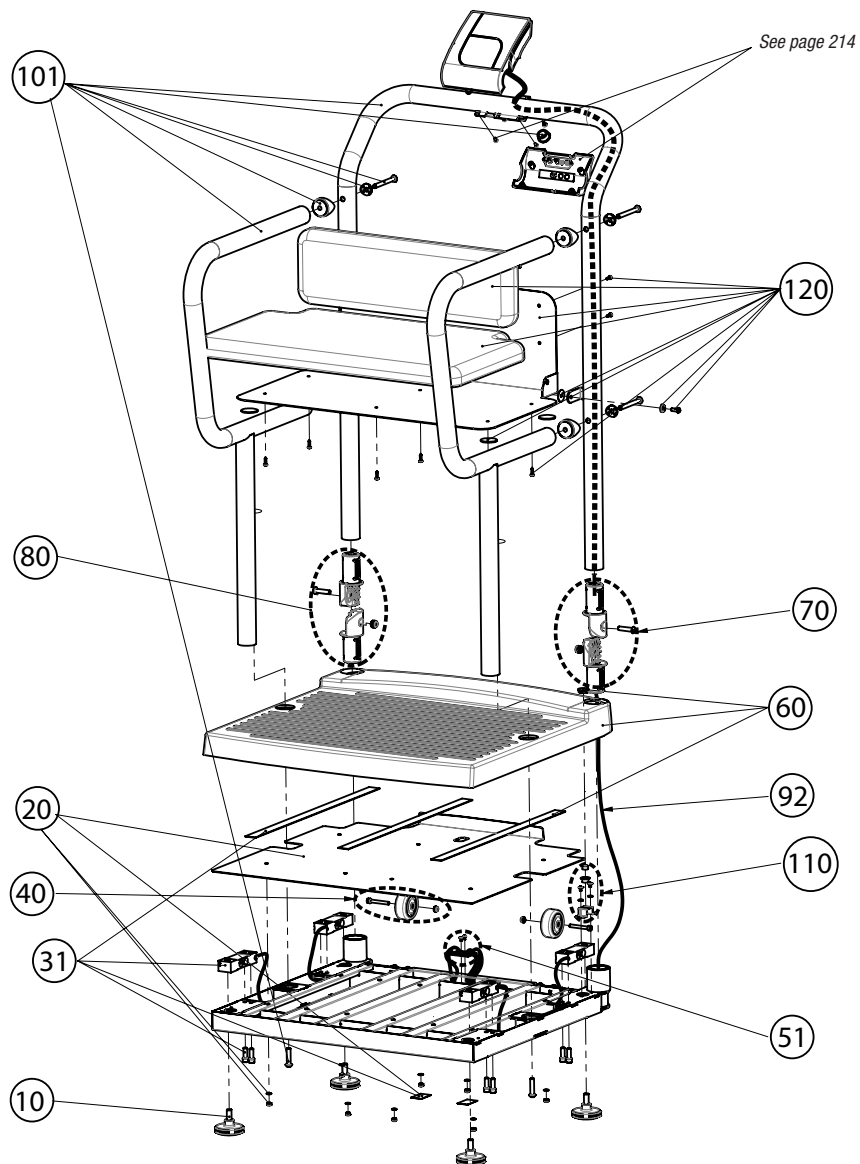
Ref#	Part#	Description	Price
10	164516	Feet	Consult
21	164518	Base	Consult
31	164521	Load cell	Consult
41	164534	Wheel	Consult
51	164578	Junction box	Consult
62.1	165030	Platform	Consult
66.1	165064	Platform	Consult
71	165066	Right joint	Consult
81	165069	Left joint	Consult
	102636	Circular handle for hinge joint	Consult
92	165071	Cable	Consult
102	165084	Handrail kit	Consult
110	165086	Spirit level assembly	Consult
130	165089	Carry handle	Consult
140	165090	Ramp stop	Consult
150	165091	Rubber stop	Consult

Medical Scales



**Part Number/Price**

Ref#	Part#	Description	Price
10	164516	Feet	Consult
20	164517	Base	Consult
31	164521	Load cell	Consult
40	164527	Wheel	Consult
51	164578	Junction box	Consult
60	165028	Platform	Consult </td
70	165065	Joint	Consult
80	165068	Joint	Consult
92	165071	Cable	Consult
101	165081	Handrail kit	Consult
110	165086	Spirit level assembly	Consult
120	165087	Seat kit	Consult



**Medical Scales**

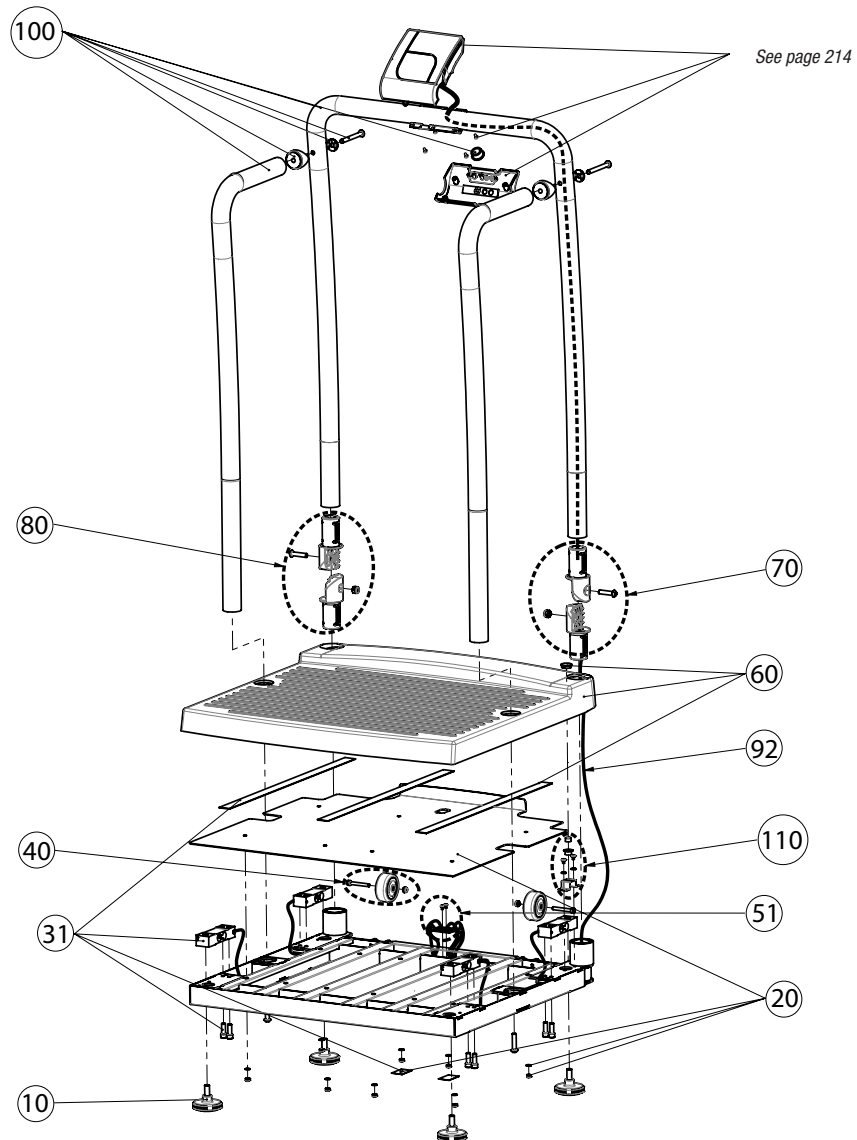
MEDICAL SCALES  
**250-10-2**



**Part Number/Price**

Ref#	Part#	Description	Price
10	164516	Feet	Consult
20	164517	Base	Consult
31	164521	Load cell	Consult
40	164527	Wheel	Consult
51	164578	Junction box	Consult
60	165028	Platform	Consult
70	165065	Joint	Consult
80	165068	Joint	Consult
92	165071	Cable	Consult
100	165080	Handrail kit	Consult
110	165086	Spirit level assembly	Consult

Medical Scales



MEDICAL SCALES  
**260-10-1**

**Part Number/Price**

Ref#	Part#	Description	Price
	195888	Wheels (set of 2)	Consult



Medical Scales

MEDICAL SCALES

## Digital Baby Scale



Model RL-DBS/RL-DBS-2

### Part Number/Price

Part#	Description	Price
112692	120VAC adaptor	Consult
112695	230VAC adaptor	Consult
121333	Battery cover	Consult

# Mechanical Chair Scale

## Part Number/Price

Part#	Description	Price
116392	Front wheel, caster (set of 2)	Consult
116393	Back wheel, caster (set of 2)	Consult
116394	Left arm	Consult
116395	Right arm	Consult

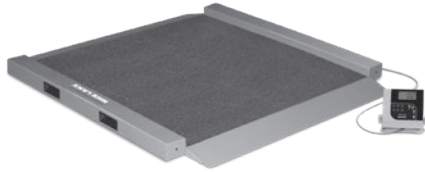


Model RL-MCS

MEDICAL SCALES

# Portable Bariatric/Wheelchair Scale

Dual Ramp



Portable Bariatric/Wheelchair Scale Dual Ramp  
Model RL-350-6

## Part Number/Price

Ref#	Part#	Description	Price
	<b>100719</b>	RS-232 serial cable	Consult
3	<b>105373</b>	Wheel kit (includes wheel, torque nut, screw, scotch mate hoops)	Consult
4	<b>106953</b>	Cable assembly	Consult
5	<b>113030</b>	Ramp	Consult
6	<b>113031</b>	Junction box cover	Consult
7	<b>113033</b>	Handle insert	Consult
8	<b>114614</b>	Foot	Consult
9	<b>14626</b>	Nut, kep 8-32NC hex	Consult
10	<b>14839</b>	Screw, mach 6-32NC x 1/4	Consult
11	<b>14857</b>	Screw, mach 8-32NC x 1/4	Consult
12	<b>14862</b>	Screw, mach 8-32NC x 3/8	Consult
14	<b>58983</b>	Cord grip	Consult
15	<b>84838</b>	Load cell	Consult
16	<b>88958</b>	Junction box board	Consult

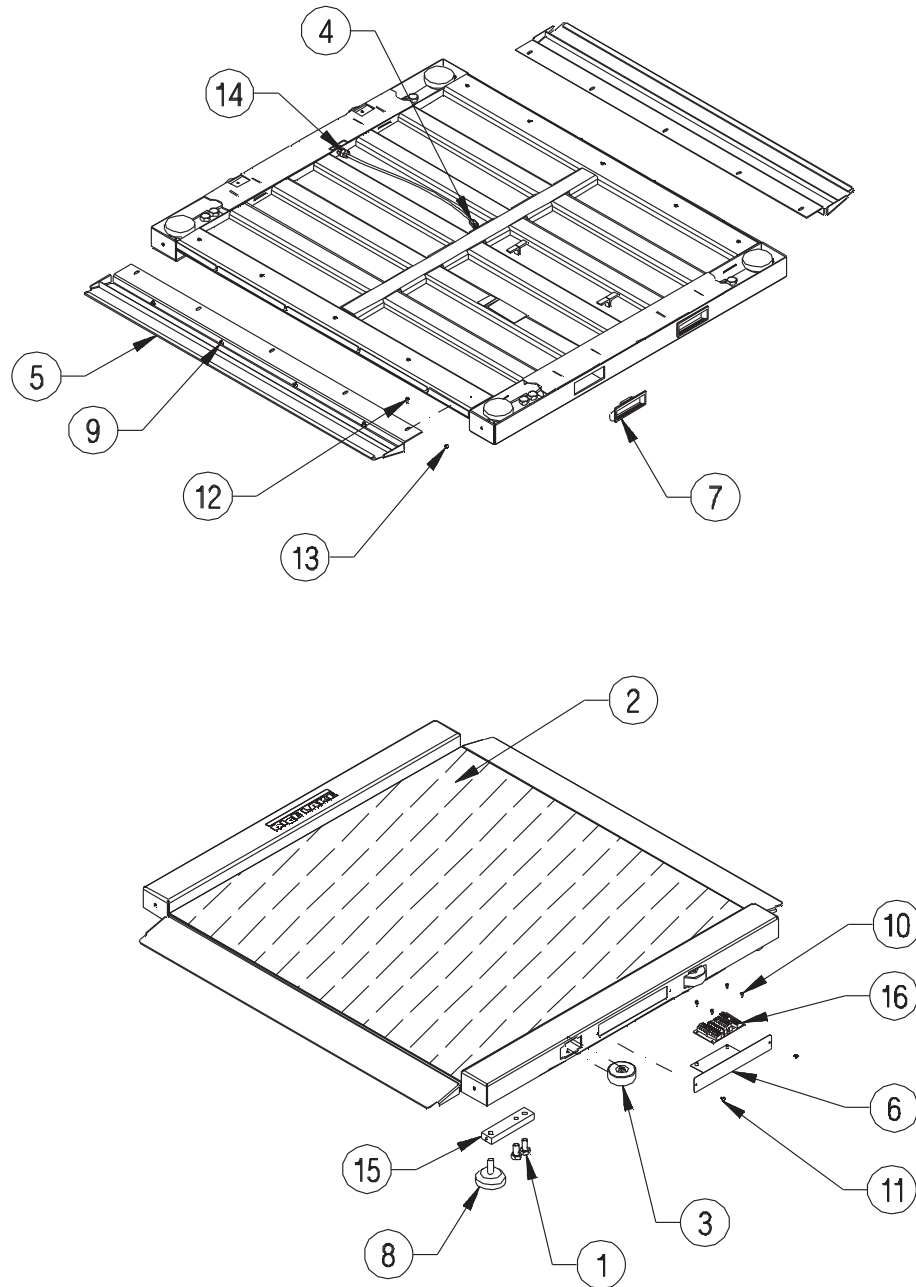
*Note: See indicator parts on page 214*

*(See Diagram Portable Bariatric/Wheelchair Scale Dual Ramp)*



# Portable Bariatric/Wheelchair Scale

Dual Ramp



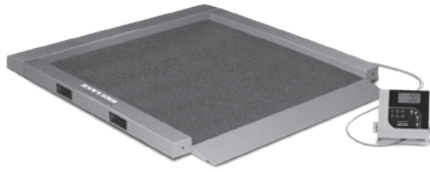
Portable Bariatric/Wheelchair Scale Dual Ramp

Medical Scales

MEDICAL SCALES

# Portable Bariatric/Wheelchair Scale

Single Ramp



Portable Bariatric/Wheelchair Scale  
Single Ramp with Wheel Stop  
Model RL-350-5

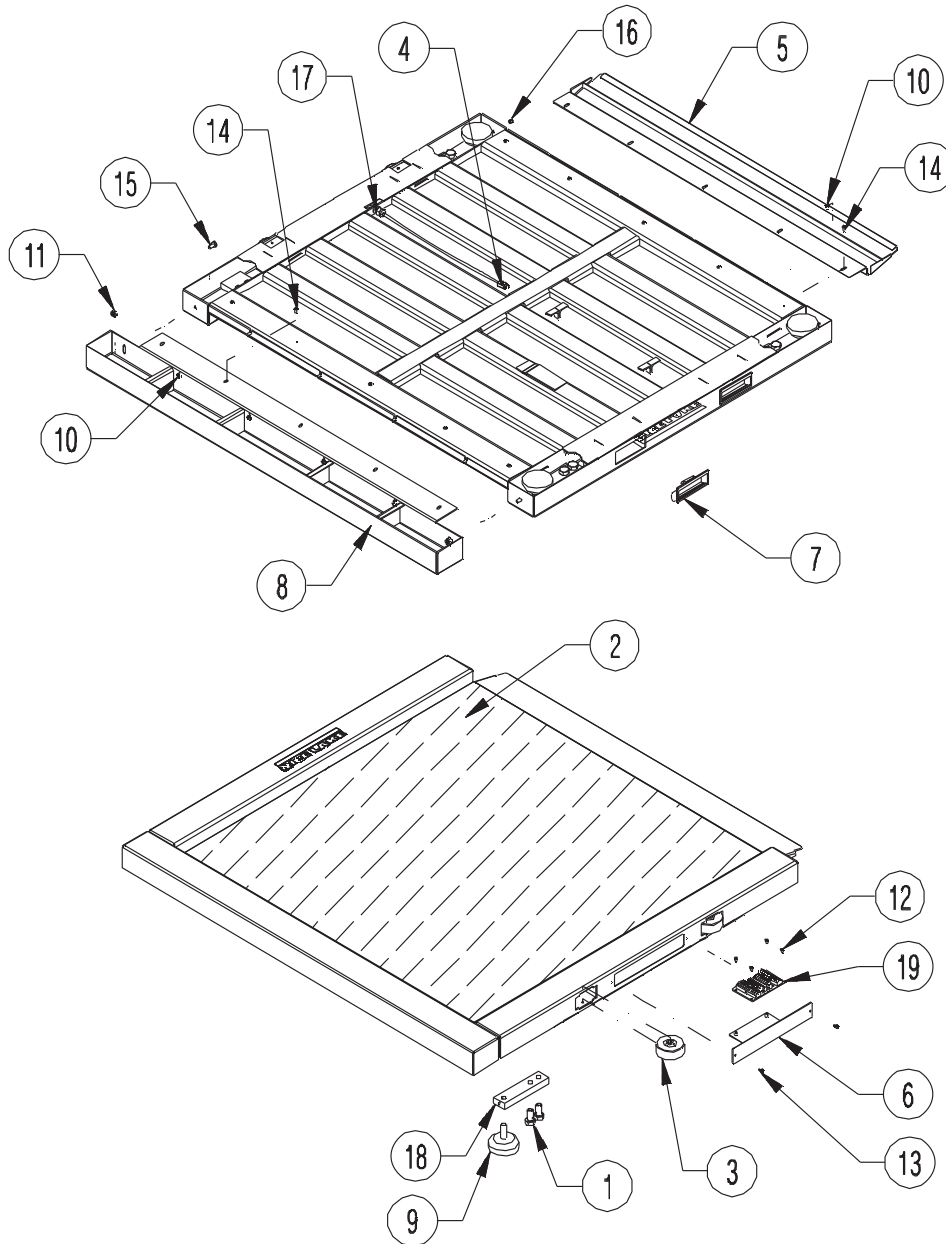
## Part Number/Price

Ref#	Part#	Description	Price
	<b>100719</b>	RS-232 serial cable	Consult
3	<b>105373</b>	Wheel kit (includes wheel, torque nut, screw, scotch mate hoops)	Consult
4	<b>106953</b>	Cable assembly	Consult
5	<b>113030</b>	Ramp	Consult
6	<b>113031</b>	Junction box cover	Consult
7	<b>113033</b>	Handle insert	Consult
8	<b>114413</b>	Wheelchair stop	Consult
9	<b>114614</b>	Foot	Consult
10	<b>14626</b>	Nut, kep 8-32NC hex	Consult
11	<b>14635</b>	Nut, lock 1/4-20NC hex	Consult
12	<b>14839</b>	Screw, mach 6-32NC x 1/4	Consult
13	<b>14857</b>	Screw, mach 8-32NC x 1/4	Consult
14	<b>14862</b>	Screw, mach 8-32NC x 3/8	Consult
15	<b>14955</b>	Screw, cap 1/4-20NC x 1/2	Consult
17	<b>58983</b>	Cord grip	Consult
18	<b>84838</b>	Load cell	Consult
19	<b>88958</b>	Junction box board	Consult

Note: See page 214 for indicator parts

(See Diagram Portable Bariatric/Wheelchair Scale Single Ramp)

# Portable Bariatric/Wheelchair Scale Single Ramp



Portable Bariatric/Wheelchair Scale Single Ramp

Medical Scales

# Bariatric/Wheelchair Scale

Beam and Column Assembly

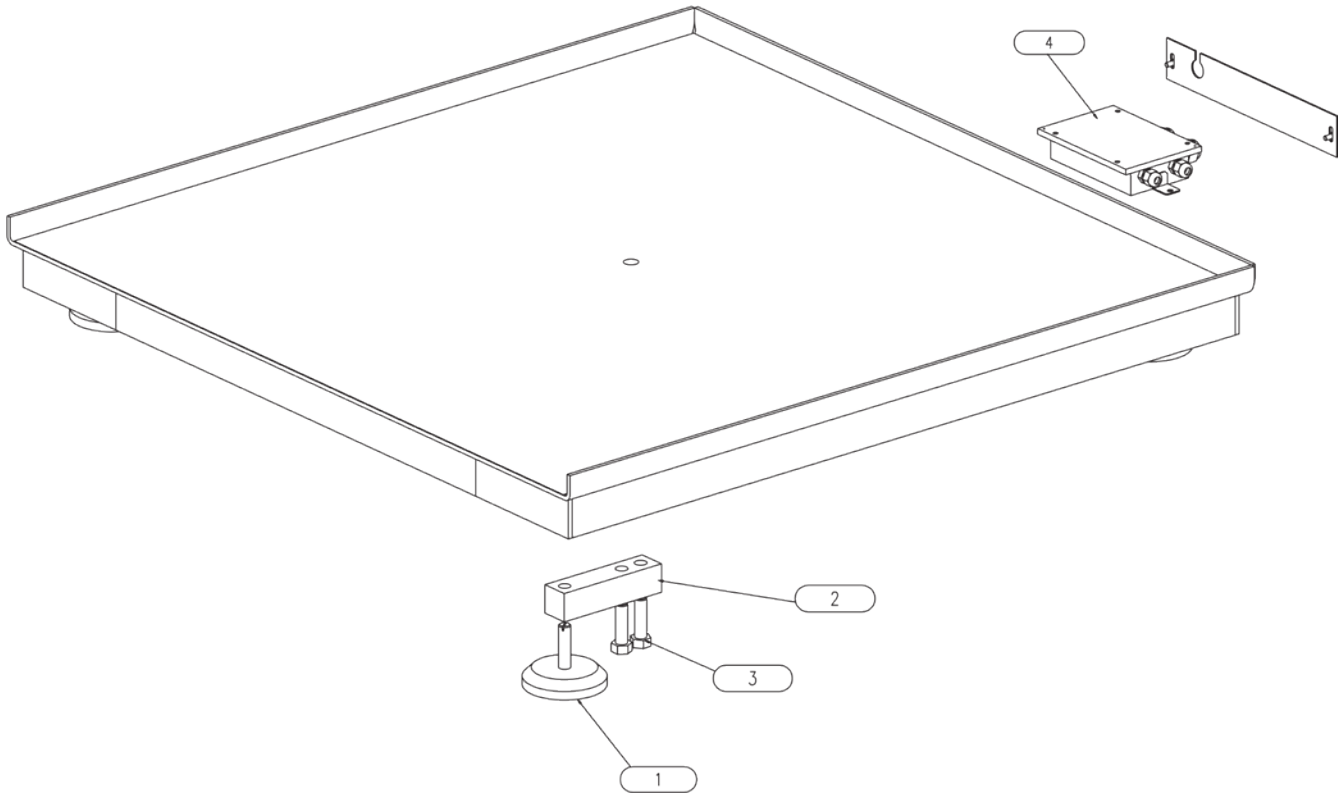


Bariatric/Wheelchair scale  
Model SB-1150

## Part Number/Price

Ref#	Part#	Description	Price
1	18756	Foot	Consult
2	21507	Load cell	Consult
3	30532	Load cell bolts	Consult
4	73428	Junction box	Consult
	106953	Cable, junction box to indicator	Consult
	100719	RS-232 serial cable	Consult

Note: See page 214 for indicator parts  
(See Diagram Wheelchair-F)



Wheelchair-F

MEDICAL SCALES  
**Dialysis Scale**

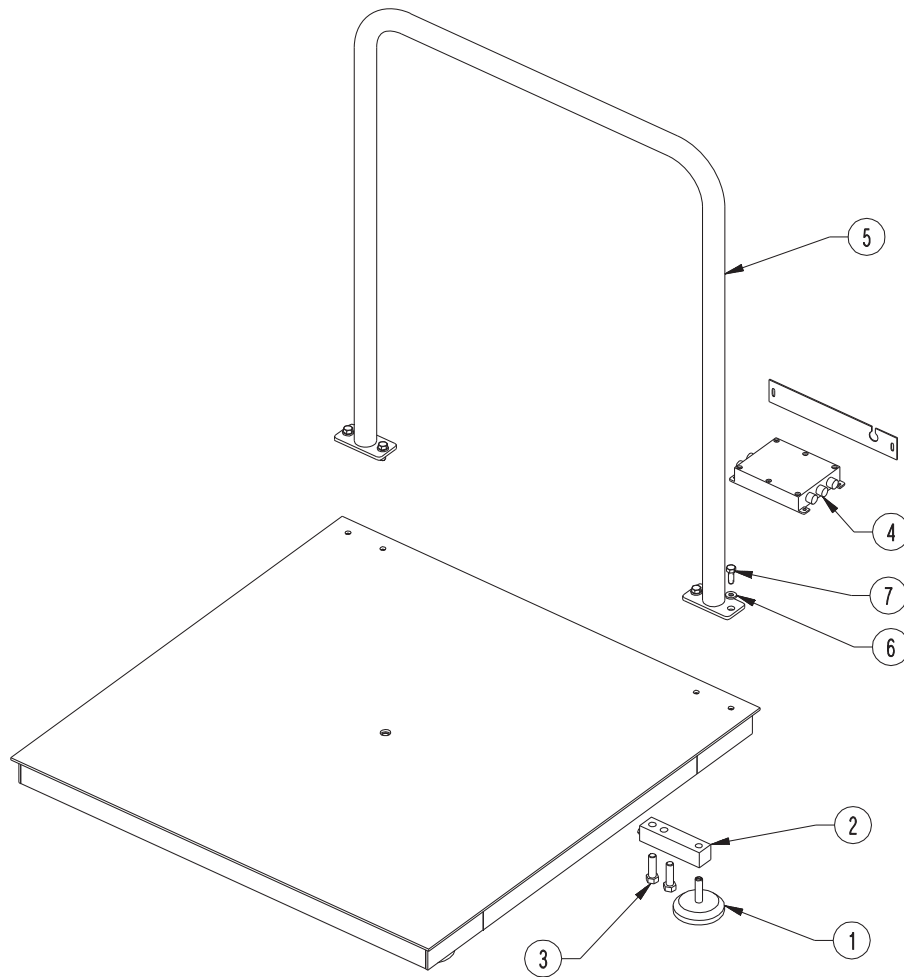
**Part Number/Price**

Ref#	Part#	Description	Price
1	18756	Foot	Consult
2	21507	Load cell	Consult
3	30532	Load cell bolts	Consult
4	73428	Junction box	Consult
5	107901	Handrail tube and base plate	Consult
6	107902	Washer	Consult
7	15019	Hex head screw	Consult
	106953	Cable, junction box to indicator	Consult
	100719	RS-232 serial cable	Consult

(See Diagram Dialysis-A)



Dialysis Scale  
 Model SD-1150-WP



Dialysis-A

# Medical Indicator, Platinum



## Part Number/Price

Ref#	Part#	Description	Price
2	116382	Tilt stand	Consult
3	116384	Tilt stand washer	Consult
6	116383	Tilt stand knob	Consult
9	102519	Pan head screw	Consult
13	102519	Pan head screw	Consult
14	105378	Indicator house	Consult
17	102506	Sealed lead acid battery	Consult
19	102505	Indicator battery board	Consult
19	102505	Indicator battery board (model 140-10-7N)	Consult
21	102504	Display/CPU board	Consult
25	116385	Indicator lens	Consult
26	105379	Indicator front cover	Consult
27	102503	Indicator keypad	Consult
	114582	Jumper	Consult

(See Diagram Indicator-A)

