

# Indicators / Controllers

## TABLE OF CONTENTS

<b>1280 Enterprise™ Series</b> .....	<b>40</b>
<i>Programmable Color Touchscreen Weight Indicator and Controller</i>	
<b>MSI-8000</b> .....	<b>45</b>
<i>RF Remote Display</i>	
<b>MSI-8000HD</b> .....	<b>46</b>
<i>Indicator/Remote Display</i>	
<b>MSI-8004HD</b> .....	<b>48</b>
<i>Indicator/RF LED Remote Display</i>	
<b>MSI-8004HD</b> .....	<b>49</b>
<b>MSI Scoreboards Wireless RF</b> .....	<b>50</b>
<i>Featuring LaserLight2 Remote Displays</i>	
<b>TranSend™ MSI-7000</b> .....	<b>51</b>
<i>Wireless Load Cell Interface System</i>	
<b>TranSend™ MSI-7001</b> .....	<b>53</b>
<i>Wireless Load Cell Interface System</i>	
<b>TranSend™ MSI-7000HD</b> .....	<b>55</b>
<i>Wireless Load Cell Interface System</i>	
<b>TranSend™ MSI-7001HD</b> .....	<b>56</b>
<i>Wireless Load Cell Interface System</i>	
<b>ScaleCore Webserver</b> .....	<b>57</b>
<i>Wireless Network Router/Webserver</i>	
<b>Rugged Remote</b> .....	<b>59</b>
<b>SCT-1100</b> .....	<b>60</b>
<i>Signal Conditioning Transmitter</i>	
<b>SCT-2200</b> .....	<b>61</b>
<i>Signal Conditioning Transmitter</i>	
<b>SCT-3300</b> .....	<b>62</b>
<i>Signal Conditioning Transmitter</i>	
<b>SCT-1SX</b> .....	<b>63</b>
<i>High-Speed Transmitter with Integrated Fieldbus and Webserver</i>	
<b>SCT-4X</b> .....	<b>64</b>
<i>4-Channel Integrated Fieldbus Transmitter</i>	
<b>SCT-10</b> .....	<b>65</b>
<i>Signal Conditioning Transmitter</i>	
<b>SCT-20</b> .....	<b>66</b>
<i>Signal Conditioning Transmitter</i>	
<b>SCT-30</b> .....	<b>67</b>
<i>Signal Conditioning Transmitter</i>	
<b>SCT-40</b> .....	<b>68</b>
<i>Signal Conditioning Transmitter</i>	
<b>Ranger 7</b> .....	<b>69</b>
<i>Variable Range Simulator</i>	

Product names, logos, brands and other trademarks featured or referred to within this publication are the property of their respective trademark holders.

# 1280 Enterprise™ Series

Programmable Color Touchscreen Weight Indicator and Controller



## Approvals



Measurement  
Canada  
Approved



## Standard Features

- Customizable color touchscreen with graphical user interface
- User-defined softkeys, icons and graphics
- Tactile keypad for scale operations, numeric entry and navigation
- On-screen keyboard available during entry mode (or external keyboard)
- Built-in web server for remote access, systems integration and data monitoring
- Multi-language operation and text entry
- Supports eight scales within five different kinds:
  - Analog load cell, multi-range/interval weighing
  - Total scale summing
  - Serial input scales
  - iQUBE<sup>2</sup> scales
  - Program scales
- Six smart card slots for additional scale channels, serial ports, digital inputs and outputs, analog outputs and protocol interfaces
- iRite™ Programming Software
  - Five built-in applications: Truck in/out, recipe storage, filling/dosing, counting, checkweighing
  - Customizable user programs with event-based functions
  - 150 built-in functions for common processes & data tables
  - Customize and transfer data via email, FTP server and networked printers
  - Display data with line charts or bar graphs
  - iRite reporting of iQUBE<sup>2</sup> alerts
- Email, USB, Ethernet TCP/IP, Wi-Fi Direct®, two serial ports RS-232 or RS-485
- Alibi memory captures serial port transmissions
- Four configurable data-stream formats for PC, printers and remote displays
- 100 setpoints, 18 configurable setpoint types
- Eight digital I/O for control and pulse count
- Three different enclosure types: universal with tilt stand, panel mount and wall mount

## Specifications

### Power:

AC voltages: 100 to 240 VAC; 50/60 Hz  
DC voltages: 11 to 30 VDC

### Power Consumption:

60W

### Excitation Voltage:

10 VDC (+/- 5 VDC)  
16 × 350 ohm or 32 × 700 ohm load cells per A/D card

### Analog Signal Input Range:

-60 mV to 60 mV

### Analog Signal Sensitivity:

0.3 µV/graduation minimum at 7.5 Hz to 120 Hz  
1.0 µV/graduation recommended

### A/D Sample Rate:

7.5 to 960 Hz, software selectable

### Resolution:

Internal: 8,000,000 counts  
Display: 1,000,000

### System Linearity

± 0.01% full scale

### Digital I/O:

Eight I/O channels on CPU board  
Optional 24-channel I/O expansion boards

### Communication Ports:

Port 1 & 2: Full duplex RS-232 with CTS/RTS, RS-422/485  
Baud rate: 1200 to 115200  
Port 3: USB 2.0 Device (Micro)  
USB host: (2) Type A connectors max 500 mA  
Ethernet: Wired 10/100 Auto-MDX  
Ethernet: Wireless 802.11 b/g/n 2.4GHz

### Onboard:

Selectable filters: Three stage, Adaptive or Damping  
Embedded Linux® OS  
8 GB eMMC (system use)  
1 GB DDR3 RAM  
460 MB onboard database (SQLite) storage  
Up to 32 GB micro SD card (sold separately)

### Display:

Seven-inch, 800 × 480 pixel, 500 or 1,000 NIT  
Twelve-inch, 1280 × 800 pixel, 1,500 NIT

### Keys/Buttons:

22-key membrane panel, tactile buttons, on-screen keyboard for text and numeric entry, USB port for flash drive, keyboard and printer

### Temperature Range:

Certified: 14 °F to 104 °F (-10 °C to 40 °C)  
Operating: -4 °F to 131 °F (-20 °C to 55 °C)

### Rating/Material:

Universal: IP69K  
Wall Mount: IP66  
Panel Mount: IP69K, NEMA Type 4X and 12  
Stainless steel 304 enclosure

### Weight:

Universal enclosure: 11 lb (4.9 kg)  
Panel mount enclosure: 8 lb (3.6 kg)  
Wall mount enclosure: 23 lb (10.4 kg)  
Panel mount 7 in touch-only: 7 lb (3.1 kg)  
Panel mount 12 in touch-only: 10 lb (4.5 kg)

### Warranty:

Two-year limited

### EMC Immunity:

10 V/m

### Approvals:

NTEP 15-001/Class III/IIIL 10,000d  
Measurement Canada AM-5980C,  
Class III/II HD 10,000d  
OIML R76/2006-A-NL1-19.23 Class III/IIIL 10,000d  
EU Test Certificate TC8596  
cULus Listed (Universal, Wall Mount)  
cULus Recognized (Panel Mount)  
CE Marked

# 1280 Enterprise™ Series

Programmable Color Touchscreen Weight Indicator and Controller



7-inch model with keypad

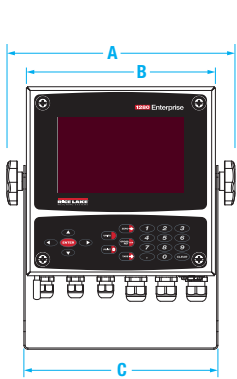


7-inch touch-only model

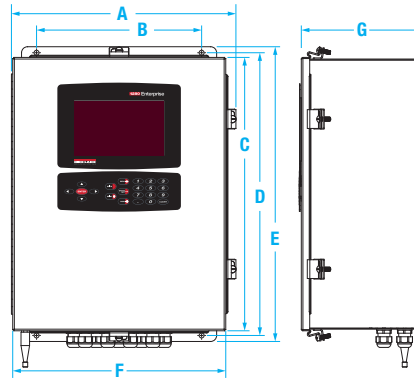
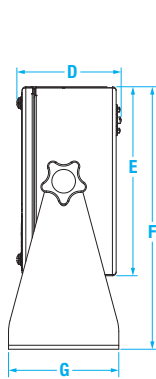


12-inch touch-only model

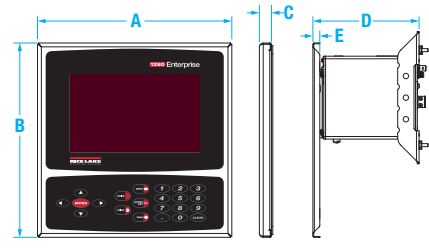
## Numeric Keypad Models:



1280-2



1280-3



1280-4

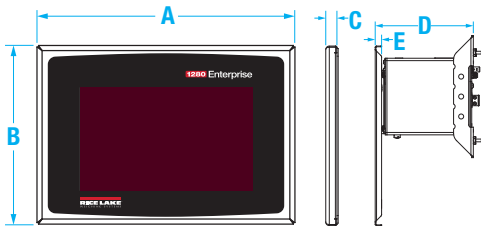
## Dimensions

Universal (1280-2)			
A	10.86 in (276 mm)	E	9.00 in (229 mm)
B	9.00 in (229 mm)	F	12.50 in (318 mm)
C	9.24 in (235 mm)	G	5.25 in (133 mm)
D	4.97 in (126 mm)		

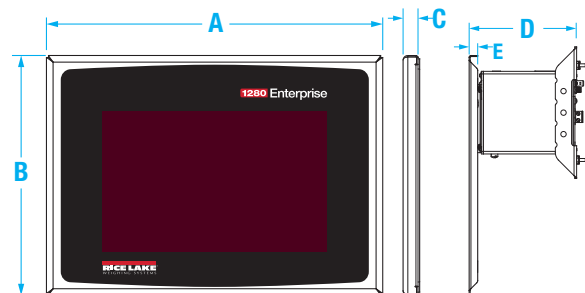
Wall Mount (1280-3)			
A	14.92 in (379 mm)	E	19.64 in (499 mm)
B	11.00 in (279 mm)	F	14.20 in (361 mm)
C	18.22 in (463 mm)	G	8.08 in (205 mm)
D	18.84 in (479 mm)		

Panel Mount (1280-4)			
A	9.00 in (229 mm)	D	5.34 in (136 mm)
B	9.00 in (229 mm)	E	0.32 in (8 mm)
C	0.58 in (15 mm)		

## Touch-only Models:



1280-5



1280-6

## Dimensions

7-inch Touch-only (1280-5)			
A	9.00 in (229 mm)	D	5.34 in (136 mm)
B	6.22 in (158 mm)	E	0.32 in (8 mm)
C	0.58 in (15 mm)		

12-inch Touch-only (1280-6)			
A	14.00 in (356 mm)	D	5.34 in (136 mm)
B	10.00 in (254 mm)	E	0.32 in (8 mm)
C	0.58 in (15 mm)		

INDICATORS / CONTROLLERS

# 1280 Enterprise™ Series

Programmable Color Touchscreen Weight Indicator and Controller

## Part Number/Price

Part #	Description	Power	Display	Option Installed	Price
<b>Universal Enclosure with 500 NIT Display (1280-2)</b>					
171427 †	1280 Universal	115 VAC	500 NIT	Single Scale Card	\$3,550.00
171441 ††	1280 Universal	100-240 VAC	500 NIT	Single Scale Card	\$3,550.00
171662 †	1280 Universal	115 VAC	500 NIT	Dual Scale Card	\$3,750.00
172188 ††	1280 Universal	100-240 VAC	500 NIT	Dual Scale Card	\$3,850.00
<b>Panel Mount Enclosure with 500 NIT Display (1280-4)</b>					
171663	1280 Panel Mount	100-240 VAC	500 NIT	Single Scale Card	\$3,425.00
172186	1280 Panel Mount	100-240 VAC	500 NIT	Dual Scale Card	\$3,650.00
<b>Wall Mount Enclosure with 500 NIT Display (1280-3)</b>					
173673 †	1280 Wall Mount	115 VAC	500 NIT	Single Scale Card	\$3,950.00
174143 ††	1280 Wall Mount	100-240 VAC	500 NIT	Single Scale Card	\$3,950.00
174144 †	1280 Wall Mount	115 VAC	500 NIT	Dual Scale Card	\$4,250.00
174145 ††	1280 Wall Mount	100-240 VAC	500 NIT	Dual Scale Card	\$4,250.00
<b>Wall Mount Enclosure with 1000 NIT Display (1280-3)</b>					
172184 †	1280 Wall Mount	115 VAC	1,000 NIT	Single Scale Card	\$4,050.00
172185 ††	1280 Wall Mount	100-240 VAC	1,000 NIT	Single Scale Card	\$4,050.00
206563 †	1280 Wall Mount	115 VAC	1,000 NIT	Dual Scale Card	\$4,250.00
172187 ††	1280 Wall Mount	100-240 VAC	1,000 NIT	Dual Scale Card	\$4,350.00
<b>Touch-only 7 inch with 500 NIT Display (1280-5)</b>					
186618	1280 Touch-only 7 in	100-240 VAC	500 NIT	Single Scale Card	\$3,450.00
<b>Touch-only 12 inch with 1500 NIT Display (1280-6)</b>					
186465	1280 Touch-only 12 in	100-240 VAC	1,500 NIT	Single Scale Card	\$4,075.00



† US plug (NA) - Type B



†† Euro Plug - Type E



(Brazil) - Type N



††† BS1363 (UK) - Type G



†††† AS 3112 (Australian) - Type I

INDICATORS / CONTROLLERS

## Model Reference Chart

Choose any options to best fit your application and we customize

ENCLOSURE TYPE	POWER TYPE	DISPLAY TYPE	CORD TYPE	OPTION CARDS <small>ALL SLOTS MUST BE FILLED</small>
<ol style="list-style-type: none"> <li>Universal (1280-2)</li> <li>Panel (1280-4)</li> <li>Wall (1280-3)</li> <li>Touch-only Panel 7 in (1280-5)</li> <li>Touch-only Panel 12 in (1280-6)</li> </ol>	<ol style="list-style-type: none"> <li>AC</li> <li>DC</li> </ol>	<ol style="list-style-type: none"> <li>500NIT 7 in Universal</li> <li>1000NIT 7 in Universal</li> <li>500NIT 7 in Panel/Wall</li> <li>1000NIT 7 in Panel/Wall</li> <li>1500NIT 12 in Panel</li> </ol>	<ol style="list-style-type: none"> <li>US Plug Universal</li> <li>Brazil Plug Universal</li> <li>Euro Plug Universal</li> <li>US Plug Wall</li> <li>Euro Plug Wall</li> <li>Brazil Plug Wall</li> <li>UK Plug Universal</li> <li>AU/NZ Plug Universal</li> <li>UK Plug Wall</li> <li>AU/NZ Plug Wall</li> </ol>	<ol style="list-style-type: none"> <li>Blank <i>If no option, controller will need 6 blanks</i></li> <li>Single A/D Scale</li> <li>Dual A/D Scale</li> <li>24 Channel Digital I/O</li> <li>Dual Serial Channel</li> <li>4-dry Contact Relay</li> <li>Single Analog Out</li> <li>Dual Analog Out</li> <li>Analog Input</li> <li>EtherNet/IP</li> <li>DeviceNet</li> <li>ProfiNet</li> <li>Modbus TCP</li> <li>Profibus DP</li> <li>EtherCat</li> <li>PowerLink</li> </ol>

# 1280 Enterprise™ Series

Programmable Color Touchscreen Weight Indicator and Controller

## Single A/D Scale



**Excitation Voltage:**  
10 VDC bi-polar, 4 or 6 wire sensing  
16 × 350 ohms per channel  
**Analog Input Signal:**  
-10 to +40 mV

Part #	Description	Price
220026	Single scale A/D	\$475.00
166957	A/D sealing kit	\$13.00

## Dual A/D Scale



**Excitation Voltage:**  
10 VDC bi-polar, 4 or 6 wire sensing  
8 × 350 ohms per channel  
**Analog Input Signal:**  
-10 to +40 mV

Part #	Description	Price
220027	Dual scale A/D	\$675.00
166957	A/D sealing kit	\$13.00

## Digital I/O



24 channels, configurable as inputs or outputs  
Inputs: 5 VDC max, active low; Outputs: 20 mA max per channel, active low; 5 VDC source available: 500 mA max

Part #	Description	Price
164684*	Digital I/O	\$350.00
170008	DIO adapter, includes 60 pin flat ribbon cable, 24 in	\$130.00
170009	DIO adapter, includes 60 pin round cable, 60 in	\$155.00
170736	DIO adapter, includes 60 pin cable and cord grip, 60 in	\$155.00

\* 24 I/O ribbon cable required.

## Dual Serial Channel



Two-channel, full duplex RS-232 with CTS/RTS, RS-485 or RS-422, 1200-115200 baud

Part #	Description	Price
164685	Dual serial channel	\$425.00

## Single Analog Out



16 bit, voltage output 0-10 VDC, current output 0-20mA, 4-20mA

Part #	Description	Price
165366	Single analog out	\$375.00

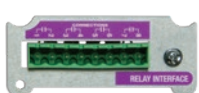
## Dual Analog Out



16 bit, voltage output 0-10 VDC, current output 0-20mA, 4-20mA

Part #	Description	Price
164686	Dual analog out	\$550.00

## Relay Card



Relay four-dry contact, max current 3A @ 30 VDC, 3A @ 250VAC

Part #	Description	Price
164689	Relay card	\$425.00

## Analog Input



**Analog Input Signal:**  
±10 VDC, ±100mV, 0-20 mA

Part #	Description	Price
164687	Dual analog input	\$650.00

## Data Exchange with PLC/DCS Systems

### EtherNet/IP



Part #	Description	Price
165792	EtherNet/IP, single port	\$620.00
208129	EtherNet/IP, dual port	\$805.00

### DeviceNet



Part #	Description	Price
165793	DeviceNet	\$620.00

### Profinet



Part #	Description	Price
165794	Profinet	\$620.00

### Modbus TCP



Part #	Description	Price
165796	Modbus TCP	\$620.00

### Profibus DP



Part #	Description	Price
165795	Profibus DP	\$620.00

### EtherCAT



Part #	Description	Price
179533	EtherCAT	\$620.00

### PowerLink



Part #	Description	Price
182319	PowerLink	\$905.00

INDICATORS / CONTROLLERS

# 1280 Enterprise™ Series

Programmable Color Touchscreen Weight Indicator and Controller

## Options/Accessories

To have your option factory installed, please specify when placing your order.

Part #	Description	Price
<b>Manuals and Software</b>		
167659	Manual, Technical	\$35.00
72809	Interchange database software	\$295.00
164939	8 GB Micro SD card with SD and USB adapter	\$25.00
195607	USB flash drive, 1 GB	\$9.00
<b>Extended Display Cable Length for Touch Only Models</b>		
182600	Display cable for 7 in (500 NIT) touch-only, 5 ft length	\$130.00
182601	Display cable for 7 in (500 NIT) touch-only, 10 ft length	\$160.00
187489	Display cable for 7 in (1,000 NIT) touch-only, 10 ft length	\$160.00
180027	Display cable for 12 in touch-only, 5 ft length	\$160.00
180028	Display cable for 12 in touch-only, 10 ft length	\$160.00
<b>Extended Touch Cable Length for Touch Only Models</b>		
180744	Touch cable for touch-only, 5 ft length	\$105.00
180745	Touch cable for touch-only, 10 ft length	\$105.00

## Primary Component Parts

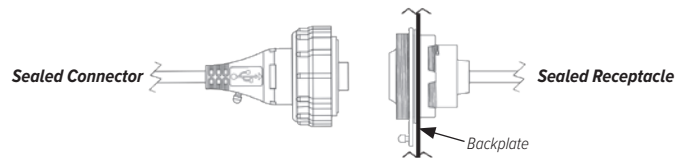
Part #	Description	Price
<b>Displays</b>		
163400	7 in 500 NIT display	\$350.00
163399	7 in 1,000 NIT display	\$450.00
182992	12 in 1,500 NIT display	\$995.00
<b>Boards</b>		
179992	CPU board assembly includes face plate and fan plate	\$1,100.00
199157	Controller box, CPU, power supply, backplane	\$1,500.00
<b>Power Supplies</b>		
202512	AC power supply board	\$180.00
202514	DC power supply board	\$180.00
<b>Overlays</b>		
164121	Keypad, for panel & wall mount	\$75.00
164120	Touchscreen, for panel & wall mount	\$130.00
161731	Keypad, for universal	\$75.00
161730	Touchscreen, for universal	\$130.00
178498	Touchscreen, for 7 in touch-only panel mount	\$295.00
176126	Touchscreen, for 12 in touch-only panel mount	\$400.00
178161	Clear protective overlay display for 7 in display (pack of 5)	\$63.00
178163	Clear protective overlay keypad for 7 in display (pack of 5)	\$63.00

## Cables and Receptacles

To have your option factory installed, please specify when placing your order.

Part #	Connector Type		Length	Price
<b>USB Cables (Connector is a male plug)</b>				
79074	A UNSEALED	B UNSEALED	2 m	\$35.00
124700	A SEALED	B SEALED	3 m	\$90.00
126477	A SEALED	A UNSEALED	3 m	\$90.00
124701	A SEALED	B UNSEALED	3 m	\$90.00
124702	B SEALED	A UNSEALED	3 m	\$90.00
152434	A UNSEALED	Micro A UNSEALED	2 m	\$55.00
<b>USB Receptacles (Receptacle is a socket)</b>				
176790	A SEALED	A UNSEALED	0.75 m	\$105.00
126476	A SEALED	A UNSEALED	0.5 m	\$90.00
172735	A SEALED	A UNSEALED	0.25 m	\$90.00
<b>Ethernet Cables</b>				
72697	RJ-45 UNSEALED	RJ-45 UNSEALED	2 m	\$40.00
124706	RJ-45 SEALED	RJ-45 SEALED	3 m	\$90.00
124707	RJ-45 SEALED	RJ-45 UNSEALED	2 m	\$90.00
<b>Ethernet Receptacles (Receptacle is a socket)</b>				
176789	RJ-45 SEALED		0.75 m	\$105.00
172734	RJ-45 SEALED		0.5 m	\$90.00
126353	RJ-45 SEALED		0.25 m	\$90.00
<b>Cable and Receptacle Accessories</b>				
124694	Cover for sealed receptacles			\$13.00
124689	Cover for flash driver mounts on sealed receptacle			\$25.00

### Unsealed Connectors





### Standard Features

- Compatible with all ScaleCore™ based products including: MSI-7300 Dyna-Link 2, MSI-3460 Challenger 3, MSI-4260 Port-A-Weigh, MSI-7000 and MSI-7001 TranSend™, MSI-9600HT and MSI-6360
- LCD display
- Membrane keypad for remote control functionality
- User-definable function keys for added versatility
- Universal 115/230 VAC, 50/60 Hz battery charger (NA plug standard)

(Contact MSI for application consultation)

### Specifications

#### Enclosure:

NEMA Type 4, IP65

#### Weight:

0.98 lb (445 g)

#### Keypad:

On/Off, Zero (100%), Tare, Print and two user-defined keys for the following functions: peak hold, high resolution, total, view total, net/gross, units switching

#### Display:

Six-digit 1.0 in (26.4 mm) LCD screen

#### Units Displayed:

Pounds, kilograms, tons, metric tons, kilonewtons

#### Annunciators:

Stable, COZ, low battery, peak, net, kg, kN, lb, M, ton, setpoint, function LEDs

#### Power:

Integral lithium-ion battery  
Universal 115/230 VAC, 50/60 Hz battery charger (NA plug included)

#### Operating Time:

Up to 24 hours of continuous use (15 minute auto-shutoff with non-use)

#### Operating Temperature:

-4 °F to 140 °F (-20 °C to 60 °C)

#### RF Radio Link:

2.4 GHz 802.15.4  
Communicates with RF 3460, 4260, 7300, 7000 & 7001

#### RF Effective Range:

Typically 100 to 300 ft, line of sight; for longer range consult factory

#### Connector:

Four-pin Turck connector for charging and RS-232 communication

#### Warranty:

One-year limited

### Part Number/Price

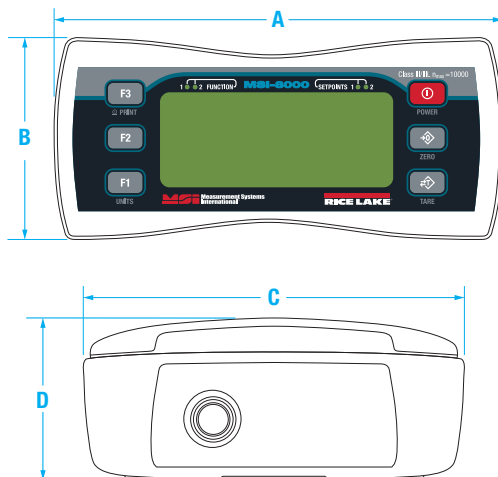
Part #	Description	Est. Weight	Price
139381	MSI-8000 RF remote display	5 lb	\$1,415.00

### Options/Accessories

Part #	Description	Est. Weight	Price
149549	Universal 115/230 VAC 50/60 Hz (NA plug standard) battery charger for MSI-8000 RF remote display	3 lb	\$165.00
149550	Universal 115/230 VAC 50/60 Hz (EC plug standard) battery charger for MSI 8000 RF remote display	1 lb	\$160.00
150964	DB9 female serial interface cable for MSI-8000 RF remote display	1 lb	\$200.00
151095	Audible alarm	—	\$315.00

### Dimensions

MSI-8000			
A	8.00 in (203 mm)	C	3.85 in (98 mm)
B	3.85 in (98 mm)	D	1.37 in (35 mm)



# MSI-8000HD

Indicator/Remote Display



## Approvals



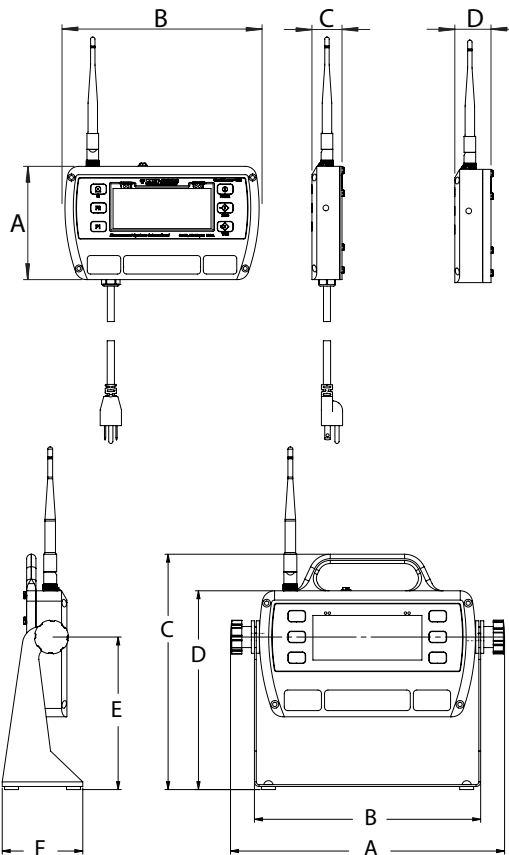
## Standard Features

- Compatible with all ScaleCore™-based products including: MSI-7300 Dyna-Link 2, MSI-3460 Challenger 3, MSI-4260 Port-A-Weigh, MSI-7000 and MSI-7001 TranSend™, MSI-9600HT and MSI-6360
- LCD display
- IP68 milled aluminum enclosure
- Time and date
- Membrane keypad for remote-control functionality
- User-definable function keys for added versatility
- Swivel tilt stand

## Dimensions

MSI-8000HD	
A	5.09 in (129 mm)
B	8.98 in (228 mm)
C	1.35 in (34 mm)
D	1.63 in (41 mm)

With Tilt Stand	
A	11.06 in (281 mm)
B	9.13 in (232 mm)
C	9.50 in (241 mm)
D	8.02 in (204 mm)
E	6.16 in (156 mm)
F	3.25 in (83 mm)



## Options

(Contact MSI for application consultation)

- Up to 8 configurable relay outputs
- Wi-Fi communications
- 802.15.4 Serial RF
- FHSS
- Wired Ethernet

## Specifications

### Power:

90-267 VAC, 9-36 VDC, 18-72 VDC, 120-300 VDC  
Optional battery power module available

### Excitation Voltage:

4.8V current limited and over-voltage protected

### RF Remote Channels:

Up to four remote sensors, monitored individually, in pairs or sum all (non-A/D version only)

### Service Counters:

A/D version only

### A/D Inputs:

Two independent or summing load cell inputs

### Filtering:

Off, Low, Hi-1, Hi-2

### RF Radio Link:

2.4 GHz 802.15.4

Compatible with all ScaleCore™ based products including:

- MSI-7300 Dyna-Link 2,
- MSI-3460 Challenger 3,
- MSI-4260 Port-A-Weigh, MSI-7000 and MSI-7001

### RF Effective Range:

Typically 100 to 300 ft, line of sight; for longer range consult factory

### Communication Ports:

Dual RS-232 communication ports

### Optional Communications:

Wi-Fi

Serial RF (Single Sequence or FHSS)

### Annunciators:

Stable, COZ, peak, kg, kN, lb, M, ton, setpoint, function LEDs

Channels: 1, 2, 3, 4, TTL

### Display:

Six-digit 1.0 in (26.4 mm) LCD

### Units Displayed:

Pounds, kilograms, tons, metric tons, kilonewtons

### Keys/Buttons:

On/Off, Zero (100%), Tare, Print, and Two user-defined keys for the following functions: peak hold, high resolution, total, view total, net/gross, units switching

### Rating/Material:

Enclosure: NEMA Type 4, IP68 milled anodized aluminum with O-ring gaskets

### Temperature Range:

Operating: -4 °F to 140 °F (-20 °C to 60 °C)

Certified: 14 °F to 104 °F (-10 °C to 40 °C)

### Warranty:

One-year limited

### Approvals:

NTEP CC 15-110 (-10 °C to 40 °C)



## Part Number/Price

Part #	Description	Est. Weight	Price
153591	ScaleCore RF/remote display/85 to 265 VAC	5 lb (2.5 kg)	\$1,541.00
154853	ScaleCore RF/remote display/internal battery	5 lb (2.5 kg)	\$1,670.00
160476	ScaleCore RF/remote display/7 to 36 VDC	5 lb (2.5 kg)	\$1,485.00
159377	ScaleCore RF/remote display/18 to 72 VDC	5 lb (2.5 kg)	\$1,520.00
159376	ScaleCore RF/remote display/9 to 36 VDC	5 lb (2.5 kg)	\$1,520.00
158427	Meter/2 A/D inputs/85 to 265 VAC (non RF)	5 lb (2.5 kg)	\$1,875.00
158428	Meter/2 A/D inputs/internal battery (non RF)	5 lb (2.5 kg)	\$1,990.00
160478	Meter/2 A/D inputs/7 to 36 VDC (non RF)	5 lb (2.5 kg)	\$1,670.00
159381	Meter/2 A/D inputs/18 to 72 VDC (non RF)	5 lb (2.5 kg)	\$1,710.00
159380	Meter/2 A/D inputs/9 to 36 VDC (non RF)	5 lb (2.5 kg)	\$1,710.00
158425	RF Meter/2 A/D inputs/85 to 265 VAC	5 lb (2.5 kg)	\$1,895.00
158426	RF Meter/2 A/D inputs/internal battery	5 lb (2.5 kg)	\$2,065.00
160477	RF Meter/2 A/D inputs/7 to 36 VDC	5 lb (2.5 kg)	\$1,895.00
159379	RF Meter/2 A/D inputs/18 to 72 VDC	5 lb (2.5 kg)	\$1,905.00
159378	RF Meter/2 A/D inputs/9 to 36VDC	5 lb (2.5 kg)	\$1,905.00
176958	Wi-Fi meter/85/265 VAC	5 lb (2.5 kg)	\$1,575.00
176960	Wi-Fi meter/internal battery	5 lb (2.5 kg)	\$1,710.00
176964	Wi-Fi meter/7 to 36 VDC	5 lb (2.5 kg)	\$1,520.00
176966	Wi-Fi meter/9 to 36 VDC	5 lb (2.5 kg)	\$1,560.00
176968	Wi-Fi meter/18 to 72 VDC	5 lb (2.5 kg)	\$1,560.00

## Options/Accessories

Part #	Description	Price
155173	MSI-8000HD spare tilt stand option kit	\$90.00
155193	MSI-8000HD Ethernet TCP/IP option kit wired	\$430.00
162178	Antenna extension kit, 6 ft	\$490.00
148624	MSI-8000HD serial RS-232 cable	\$140.00
158779	MSI-8000HD two each coil relay option kit, 250 VAC/30 VDC 5A or 100 VDC 0.4A	\$375.00
158780	MSI-8000HD two each solid state relay option kit, 60 Vpk 2.7A	\$375.00
158781	MSI-8000HD two each solid state relay option kit, 200 Vpk 0.9A	\$375.00
149549	Universal 115/230 VAC 50/60 Hz (NA plug standard) battery charger for MSI-8000HD battery powered device	\$165.00
149550	Universal 115/230 VAC 50/60 Hz (international plugs) battery charger for MSI-8000HD battery powered device	\$160.00
171203	Audible alarm kit	\$375.00
176963	Serial print cable (for GoDex printer)	\$165.00
<b>Relays</b>		
172490	Expanded relay kit, four-channel, 12A 5V, latching relays	Consult
172492	Expanded relay kit, four-channel, 12A 5V, momentary relays	Consult
Consult	Expanded relay kit, four-channel, 0.9A 200Vpk, AC/DC solid state relays	Consult
172495	Expanded relay kit, eight-channel, 12A 5V, momentary relays	Consult
172500	Expanded relays option kit, four-channel, 3A, 60Vpk solid state Form C relays	Consult
172501	Expanded relays option kit, eight-channel, 3A 60Vpk, solid state Form C relays	Consult
172502	Expanded relays option kit, eight-channel, 0.9A 200Vpk, solid state Form C relays	Consult
171676	Expanded relays option kit, eight-channel, 12A 5V, latching relays	Consult

# MSI-8004HD

Indicator/RF LED Remote Display



## Approvals



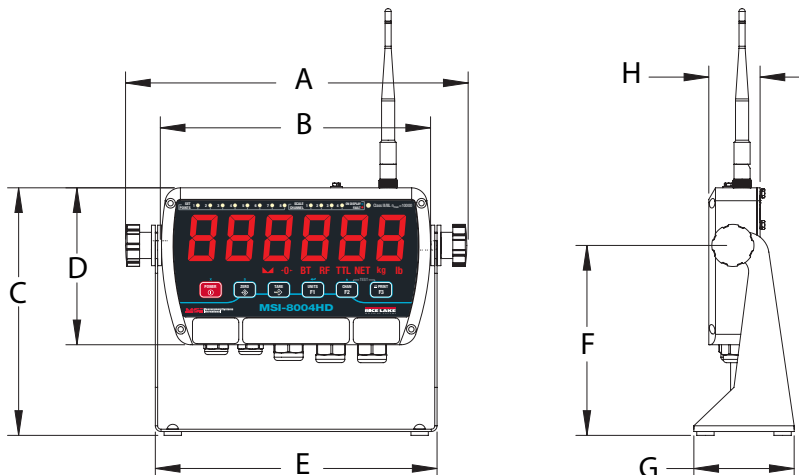
Measurement  
Canada  
Approved

## Part Number/Price

Part #	Description	Price
<b>Indicator</b>		
196904	4CH AC, red/green instant power-on, 85~264VAC, 47~440 Hz, 120~370 VDC	\$2,400.00
178265	4CH AC, red/green 85~264 VAC, 47~440 Hz, 120~370 VDC	\$2,170.00
178269	4CH DC 8-32V, red/green, best for external 12V SLA batteries	\$2,205.00
178271	4CH DC 9-36V Iso, red/green, do not use on 12V Vehicle Systems	\$2,310.00
183481	4CH 5V Red/Green with external rechargeable battery	\$2,185.00
<b>Remote Display</b>		
178281	AC, red/green 85~264 VAC, 47~440 Hz, 120~370 VDC	\$2,120.00
178283	DC, 8-32V, red/green best for external 12V SLA battery	\$2,075.00
178285	DC, 9-36V Iso, red/green, do not use on 12V vehicle systems	\$2,160.00
183479	4CH 5V red/green with external rechargeable battery	\$1,875.00

## Dimensions

MSI-8004HD			
With Tilt Stand			
A	11.10 in (282 mm)	E	9.13 in (232 mm)
B	8.76 in (223 mm)	F	6.16 in (156 mm)
C	8.02 in (204 mm)	G	3.25 in (83 mm)
D	5.09 in (129 mm)	H	1.66 in (42 mm)



## Standard Features

- LED display
- IP65 rugged milled aluminum enclosure
- Backlit membrane keypad for user functioning and controls
- Tilt bracket included
- Color changing display (via setpoints)

## Options

(Contact MSI for application consultation)

- Expanded relay outputs
- Battery pack for mobile operation
- Second radio module for additional network connectivity

## Specifications

### Power:

90 to 267 VAC, 9 to 36 VDC, 18 to 72 VDC,  
120 to 300 VDC

### Excitation Voltage:

4.8 V current limited and over-voltage protected

### Functions:

Peak hold, high resolution, total, view total net/gross, units switching

### Units:

Pounds and kilograms

### Channels:

1, 2, 3, 4, TTL

### RF Remote Channels:

Up to 4 remote sensors monitored individually, in pairs or sum all (non-A/D version only) (when used with TranSend™)

### Service Counters:

A/D version only

### A/D Inputs:

Four independent or summing load cell inputs

### Relays:

Two 5 V coil, 250 VAC, 5 A relays

### Filtering:

Off, Low, Hi-1, Hi-2

### RF Radio Link:

2.4 GHz 802.15.4, optional second channel for Serial RF, 802.11 Wi-Fi

### RF Effective Range:

Typically 100 to 300 ft, line of sight; for longer range consult factory

### Communication Ports

Two RS-232 hard wired communication ports

### Annunciators:

Stable, COZ, peak, kg, kN, lb, M, ton, setpoint, function LEDs

### Display:

Six-digit, 1.5 in (38 mm) LED display with red/green/orange coloring

### Keys/Buttons:

On/Off, Zero, Tare, Print and two user-defined keys

### Temperature Range:

Operating: -4 °F to 140 °F (-40 °C to 60 °C)  
Certified: 23 °F to 104 °F (-5 °C to 40 °C)

### Rating/Material:

NEMA Type 4, IP65 milled anodized aluminum

### Warranty:

One-year limited

### Approvals:

NTEP 17-036  
Measurement Canada AM-6068

## Options/Accessories

Part #	Description	Price
139309	Antenna kit, long range omni-directional, 9 dBi with 3 m coax Intended for omni-directional mast mounting (up to 2" dia). Beam-width. Must be mounted vertically.	\$510.00
139310	Antenna kit, corner reflector, 9 dBi with 3 m coax intended for directional wall or mast mounting (up to 2" dia). Beam-width: 75° Elevation, 65° azimuth.	\$505.00
139311	Antenna kit, corner reflector, 12 dBi with 3 m coax intended for directional wall or mast mounting (up to 2" dia). Beam-width: 50° Elevation, 36° azimuth.	\$535.00
139312	Antenna kit, YAGI, 15 dBi with 3 m coax highly directional wall or mast mounting (up to 2" dia). Beam-width: 30° elevation, 34° azimuth.	\$415.00
139313	Antenna kit, vehicle mount, 5 dBi with 5 m coax omni-directional. Mounts in 3/4" hole.	\$160.00
162178	Antenna extension kit, 6 ft	\$490.00
197013	Antenna extension kit, 20 ft	\$520.00
155173	Spare kit, tilt stand	\$90.00
199105	Audible alarm not compatible with battery versions	Consult
22436	Cable, Comm DB9F 9-pin fem one end stripped and tinned on other end 6' in 2 (Brown) Pin 3 (Red) Pin 5 (Yellow) For use with MSI-8004HD serial ports to connect to: Scoreboard displays, printers, computers & other equipment that supports RS-232.	\$70.00
183437	Battery, 5V Li-ion battery with USB power ports. Output 5 V/3.0A per port (6.0 A max)Rate, 2A per port (4A if both ports are used).	\$235.00
184131	8004 option kit, WiFi with SMA antenna	\$200.00
187424	8004 option kit, 2nd Xbee with TNC antenna	\$210.00
182224	Power adapter, 12 VDC 5 VDC dual USB car charger plus 3 ft USB cable	\$60.00
<b>Relays</b>		
172500	Expanded relays option kit, four-channel, 3A, 60VPK SSR form C	Consult
172501	Expanded relays option kit, eight-channel, 3A 60VPK, SSR form C	Consult
Consult	Expanded relays option kit, four-channel, 0.9A 200VPK, AC/DC SSR Form C	Consult
172502	Expanded relays option kit, eight-channel, 0.9A 200VPK, SSR form C	Consult
172492	Expanded relays option kit, four-channel, 12A 5V, momentary	Consult
172495	Expanded relays option kit, eight-channel, 12A 5V, momentary	Consult
172490	Expanded relays option kit, four-channel, 12A 5V, latching relays	Consult
171676	Expanded relays option kit, eight-channel, 12A 5V, latching relays	Consult

# MSI Scoreboards Wireless RF

Featuring LaserLight2 Remote Displays



- Integrated data repeater
- Six high-intensity red digits (double-row discrete LED)
- Auto Learn mode of communication protocols
- Hold displayed weight (demand input)
- Software selectable standstill mode for no updates while in motion
- Durable weather -tight IP66 enclosure
- Adjustable daylight/night intensity
- Non-glare contrast filtered lens
- Mirror (reverse image) feature
- RS-232, 20 mA and RS-485 communications
- Auto sensing 115/230 VAC power supply
- PEMs for VESA flat-wall mount or side-mounting flange available
- Polyethylene breather vent inhibits internal moisture buildup

(Contact MSI for application consultation)

## Specifications

### Enclosure:

NEMA Type 4, IP66

### Display:

Six-digit long-life LED, 4 in or 6 in

### Power:

AC/DC power supply 85 to 265 VAC, 47 to 440Hz/130 to 300 VDC

### Radio Link:

Direct sequence spread spectrum at 2.4GHz

### Radio Link Effective Range:

Typically 100 to 300 ft, line of sight; for longer range consult factory

### Standard Antenna:

1/2 wave 2 dBi, articulated

### Warranty:

One-year limited

### Echo Data Output:

RS-232

## Standard Features

- Compatible with: MSI-7300 Dyna-Link 2, MSI-3460 Challenger 3, MSI-4260 Port-A-Weigh, MSI-7000 and MSI-7001 TranSend™, MSI-9600HT, MSI-6360, MSI-8000HD and MSI-8004HD
- Tilt mounting bracket

## Part Number/Price

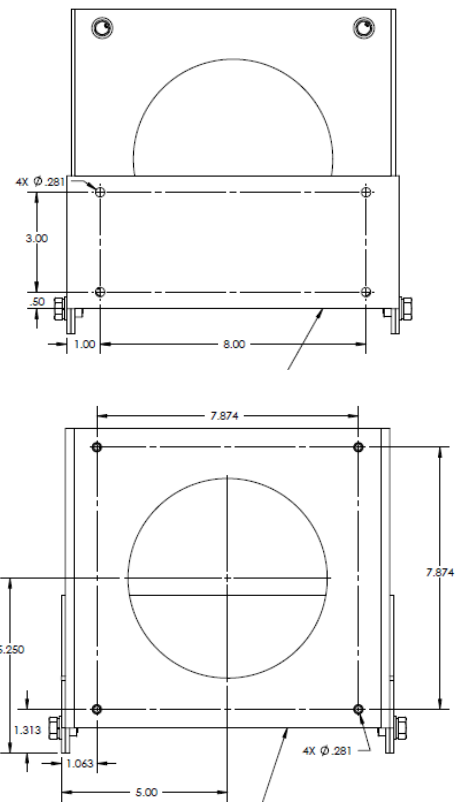
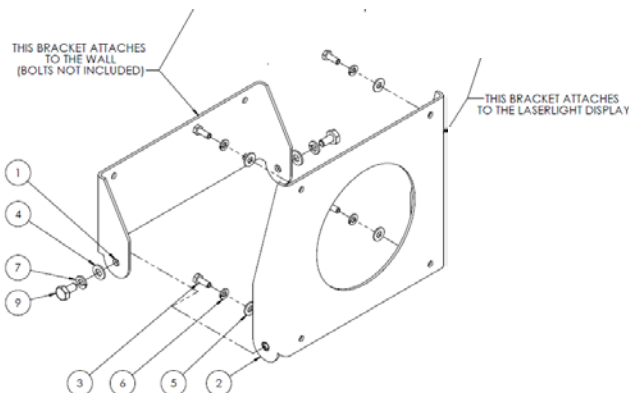
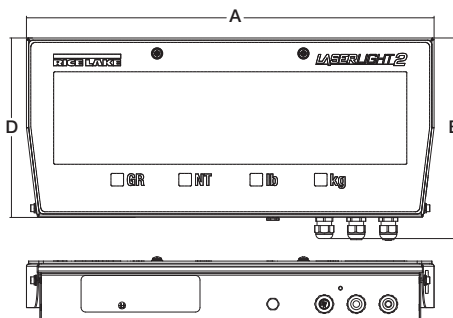
Part #	Description	Est. Weight	Price
178004	LaserLight2, 4 in with ScaleCore RF and tilt bracket		\$2,535.00
178006	LaserLight2, 6 in with ScaleCore RF and tilt bracket		\$3,005.00
178341	Laserlight2, 4 in with tilt bracket		\$2,410.00
178342	Laserlight2, 6 in with tilt bracket		\$2,870.00

## Options/Accessories

Part #	Description	Est. Weight	Price
139309	Long-range antenna, 300 m-500 m omni-directional with 9 dBi gain, includes 10 ft/3 m coaxial cable	1 lb	\$510.00
139310	9 dBi gain corner reflector antenna	1 lb	\$505.00
139311	12 dBi gain corner reflector antenna	1 lb	\$535.00
139313	5 dBi gain vehicle/cab mount whip antenna	1 lb	\$160.00
162178	Antenna extension kit, 6 ft		\$490.00
197013	Antenna extension kit, 20 ft		\$520.00
178318	Replacement tilt bracket, LaserLight2		\$275.00

## Dimensions

MSI Scoreboards Wireless RF			
22-inch enclosure (4-inch model)		31-inch enclosure (6-inch model)	
A	22.28 in (565 mm)	C	3.28 in (85 mm)
B	10.96 in (280 mm)	D	9.80 in (250 mm)
A	30.63 in (780 mm)	C	3.73 in (95 mm)
B	13.94 in (355 mm)	D	12.77 in (325 mm)



INDICATORS / CONTROLLERS

# TranSend™ MSI-7000

Wireless Load Cell Interface System



## Standard Features

- Works with any basic digital weight indicator
- Excitation to load cell(s) provided by the transmitter, not the indicator
- Each transmitter/receiver set is individually paired
- Serial communication cable included with all transmitters
- IP68 milled aluminum enclosure

(Contact MSI for application consultation)

## Specifications

### Power:

MSI-7000: 5-6 VDC, 7-36 VDC, 85-265 VAC  
 MSI-7001: 5-6 VDC, 7-36 VDC, 85-265 VAC  
 MSI-7000HD: 7-36 VDC, 9-36 VDC, 85-265 VAC  
 MSI-7001HD: 5-6 VDC, 7-36 VDC, 9-36 VDC, 85-265 VAC

### Excitation Voltage:

Transmitter: +4.8 VDC, 16 x 350 ohm or 32 x 700 ohm load cells

### Standard Antenna:

1/2 wave 2dBi, articulated

### Frequency:

Direct sequence spread spectrum at 2.4 GHz, 802.15.4

### Effective Range:

Typically 100 to 300 ft, line of sight; for longer range consult factory

### Communication Ports:

Full duplex RS-232

### Circuit Protection:

RFI, EMI, ESD protection

### Operating Temperature:

-40 °F to 185 °F (-40 °C to 85 °C)

### Rating/Material:

MIS-7000/MSI-7001: IP68, die-cast aluminum enclosure  
 MSI-7000HD/MSI-7001HD: IP68, durable milled aluminum enclosure

### Additional RF Options:

Wi-Fi  
 802.15.4  
 FHSS

### Warranty:

One-year limited

## Part Number/Price

Part #	Description	Est. Weight	Price
<b>Transmitters</b>			
<b>5-6 VDC Power Input</b>			
159207	Four-channel transmitter, no relays, RF 802.15.4, 2.4 GHz	2lb	\$1,055.00
161949	Four-channel transmitter, includes three coil relays, RF 802.15.4, 2.4 GHz	2lb	\$1,210.00
176648	Four-channel transmitter, no relays, Wi-Fi	2lb	\$1,115.00
176652	Four-channel transmitter, includes three coil relays, Wi-Fi	2lb	\$1,265.00
<b>7-36 VDC Power Input</b>			
159470	Four-channel transmitter, no relays, RF 802.15.4, 2.4 GHz	2lb	\$1,090.00
161951	Four-channel transmitter, includes three coil relays, RF 802.15.4, 2.4 GHz	2lb	\$1,265.00
176650	Four-channel transmitter, no relays, Wi-Fi	2lb	\$1,145.00
176653	Four-channel transmitter, includes three coil relays, Wi-Fi	2lb	\$1,325.00
<b>85-265 VAC Power Input</b>			
159469	Four-channel transmitter, no relays, RF 802.15.4, 2.4 GHz	2lb	\$1,115.00
161950	Four-channel transmitter, includes three coil relays, RF 802.15.4, 2.4 GHz	2lb	\$1,295.00
176647	Four-channel transmitter, no relays, Wi-Fi	2lb	\$1,175.00
176651	Four-channel transmitter, includes three coil relays, Wi-Fi	2lb	\$1,370.00
<b>Receivers</b>			
<b>5-6 VDC Power Input</b>			
160016	Four-channel receiver to provide an analog output signal: 4-20 mA, 0-20 mA, 0-5 VDC, 0-10 VDC, ±5 VDC, ±10 VDC, includes three coil relays, RF 802.15.4, 2.4 GHz	2lb	\$1,265.00
160017	MSI-7000 four-channel receiver to provide RS232 serial output	2lb	\$1,285.00
<b>7-36 VDC Power Input</b>			
159478	MSI-7000 four-channel receiver to provide RS232 serial output	2lb	\$1,340.00
159476	Four-channel receiver to provide an analog output signal: 4-20 mA, 0-20 mA, 0-5 VDC, 0-10 VDC, ±5 VDC, ±10 VDC, includes three coil relays, RF 802.15.4, 2.4 GHz	2lb	\$1,425.00
<b>85-265 VAC Power Input</b>			
159477	Four-channel receiver to provide RS232 serial output	2lb	\$1,190.00
159475	Four-channel receiver to provide an analog output signal: 4-20 mA, 0-20 mA, 0-5 VDC, 0-10 VDC, ±5 VDC, ±10 VDC, includes three coil relays, RF 802.15.4, 2.4 GHz	2lb	\$1,530.00

INDICATORS / CONTROLLERS

# TranSend™ MSI-7000

Wireless Load Cell Interface System

## Options/Accessories

Part #	Description	Price
162172	Charger, TranSend™ for 6V SLA battery	\$70.00
162173	Battery, TranSend 6 V SLA	\$135.00
162175	Enclosure, TranSend for 6V SLA battery	\$350.00
160109	AC adapter, TranSend 6 V	\$59.00
143531	Power cord, 6 V SLA battery charger EU	\$31.00
143533	Power cord, 6 V SLA battery charger, Australia	\$54.00
143534	Power cord, 6 V SLA battery charger, UK	\$47.00
160110	265 VAC to 6 VDC wall adapter US/UK/EU/AUS/China	\$59.00
162178	Antenna extension kit, 6 ft coax cable	\$490.00
139309	Antenna kit, long-range Omni with 3 m coax cable	\$510.00
139310	Antenna kit, corner reflector 9 dbi with 3 m coax cable	\$505.00
197013	Antenna extension kit, 20 ft	\$520.00
139311	Antenna kit, corner reflector 12 dbi with 3 m coax cable	\$535.00
139312	Antenna kit, Yagi 15 dbi with 3 m coax cable	\$415.00
144345	30 m coaxial cable, for use with non-vehicle mount antenna kits	\$480.00
139313	Antenna kit, vehicle mount. 5 dbi with 5 m coaxial cable	\$160.00
150964	RS-232 13 ft (4 m) serial cable with nine-pin (female) connector	\$200.00
150965	RS-232 13 ft (4 m) serial cable with nine-pin (male) connector	\$180.00
145085	RS-232 serial cable, unterminated	\$135.00

INDICATORS /  
CONTROLLERS

# TranSend™ MSI-7001

Wireless Load Cell Interface System



## Standard Features

- Works with any basic digital weight indicator
- Excitation to load cell(s) provided by the transmitter, not the indicator
- Each transmitter/receiver set is individually paired
- Serial communication cable included with all transmitters
- IP68 milled aluminum enclosure

(Contact MSI for application consultation)

## Specifications

### Power:

MSI-7000: 5-6 VDC, 7-36 VDC, 85-265 VAC  
 MSI-7001: 5-6 VDC, 7-36 VDC, 85-265 VAC  
 MSI-7000HD: 7-36 VDC, 9-36 VDC, 85-265 VAC  
 MSI-7001HD: 5-6 VDC, 7-36 VDC, 9-36 VDC, 85-265 VAC

### Excitation Voltage:

Transmitter: +4.8 VDC, 16 x 350 ohm or 32 x 700 ohm load cells

### Standard Antenna:

1/2 wave 2dBi, articulated

### Frequency:

Direct sequence spread spectrum at 2.4 GHz, 802.15.4

### Effective Range:

Typically 100 to 300 ft, line of sight; for longer range consult factory

### Communication Ports:

Full duplex RS-232

### Circuit Protection:

RFI, EMI, ESD protection

### Operating Temperature:

-40 °F to 185 °F (-40 °C to 85 °C)

### Rating/Material:

MSI-7000/MSI-7001: IP68, die-cast aluminum enclosure  
 MSI-7000HD/MSI-7001HD: IP68, durable milled aluminum enclosure

### Additional RF Options:

Wi-Fi  
 802.15.4  
 FHSS

### Warranty:

One-year limited

## Part Number/Price

Part #	Description	Est. Weight	Price
<b>Transmitters</b>			
<b>5-6 VDC Power Input</b>			
160330	Single-channel transmitter, no relays, RF 802.15.4, 2.4 GHz	2 lb	\$995.00
176655	Single-channel transmitter, no relays, Wi-Fi	2 lb	\$1,050.00
<b>7-36 VDC Power Input</b>			
160329	Single-channel transmitter, no relays, RF 802.15.4, 2.4 GHz	2 lb	\$1,055.00
176656	Single-channel transmitter, no relays, Wi-Fi	2 lb	\$1,115.00
<b>85-265 VAC Power Input</b>			
160328	Single-channel transmitter, no relays, RF 802.15.4, 2.4 GHz	2 lb	\$1,090.00
176654	Single-channel transmitter, no relays, Wi-Fi	2 lb	\$1,145.00
<b>Receivers</b>			
<b>5-6 VDC Power Input</b>			
160337	Single-channel receiver to provide a mV signal to a digital weight indicator, RF 802.15.4, 2.4 GHz	2 lb	\$1,055.00
160334	Single-channel receiver to provide an analog output signal: 4-20 mA, 0-20 mA, 0-5 VDC, 0-10 VDC, ±5 VDC, ±10 VDC, RF 802.15.4, 2.4 GHz	2 lb	\$1,115.00
161941	Single-channel receiver to provide RS232 serial output	2 lb	\$825.00
<b>7-36 VDC Power Input</b>			
160336	Single-channel receiver to provide a mV signal to a digital weight indicator, RF 802.15.4, 2.4 GHz	2 lb	\$1,155.00
161939	Single-channel receiver to provide RS232 serial output	2 lb	\$940.00
160333	Single-channel receiver to provide an analog output signal: 4-20 mA, 0-20 mA, 0-5 VDC, 0-10 VDC, ±5 VDC, ±10 VDC, RF 802.15.4, 2.4 GHz	2 lb	\$1,265.00
<b>85-265 VAC Power Input</b>			
160335	Single-channel receiver to provide a mV signal to a digital weight indicator, RF 802.15.4, 2.4 GHz	2 lb	\$1,210.00
161938	Receiver to provide RS232 serial output	2 lb	\$1,005.00
160332	7001AN AC power	-	\$1,325.00

INDICATORS / CONTROLLERS

# TranSend™ MSI-7001

Wireless Load Cell Interface System

## Options/Accessories

Part #	Description	Price
162177	Cordset, TranSend, pre-wired for use with single channel transmitters or non-relay based receivers	\$135.00
164865	Cable, 4 m, one-channel, mV/V output, LC input	\$145.00
165648	Cable, 5 m, one-channel, mV/V output, LC input	\$165.00
165651	Cable, 10 m, one-channel, mV/V output, LC input	\$230.00
162184	Load cell connector, TranSend, field wireable, 4-6 mm straight. For use with single channel transmitters and all receivers.	\$62.00
162185	Load cell connector, TranSend, field wireable, 6-8 mm straight. For use with single channel transmitters and all receivers.	\$62.00
162186	Load cell connector, TranSend, field wireable, 4-6 mm right angle. For use with single channel transmitters and all receivers.	\$62.00
162187	Load cell connector, TranSend, field wireable, 6-8 mm right angle. For use with single channel transmitters and all receivers.	\$62.00
145084	Cable, 2 m, one-channel, analog output	\$64.00
144400	Cable, 5 m, one-channel, analog output	\$100.00
168903	Cable, 10 m, one-channel, analog output	\$150.00
Consult	Straight connector, analog output, field wire able, 4-6 mm OD	Consult
Consult	Straight connector, analog output, field wire able, 6-8 mm OD	Consult
Consult	Right angle connector, analog output, field wire able, 4-6 mm OD	Consult
Consult	Right angle connector, analog output, field wire able, 6-8 mm OD	Consult
162172	Charger, TranSend™ for 6 V SLA battery	\$70.00
162173	Battery, TranSend 6 V SLA	\$135.00
162175	Enclosure, TranSend for 6 V SLA battery	\$350.00
160109	AC adapter, TranSend 6 V	\$59.00
143531	Power cord, 6 V SLA battery charger EU	\$31.00
143533	Power cord, 6 V SLA battery charger, Australia	\$54.00
143534	Power cord, 6 V SLA battery charger, UK	\$47.00
160110	265 VAC to 6 VDC wall adapter US/UK/EU/AUS/China	\$59.00
162178	Antenna extension kit, 6 ft coax cable	\$490.00
139309	Antenna kit, long-range omni with 3 m coax cable	\$510.00
139310	Antenna kit, corner reflector 9 dbi with 3 m coax cable	\$505.00
197013	Antenna extension kit, 20 ft	\$520.00
139311	Antenna kit, corner reflector 12 dbi with 3 m coax cable	\$535.00
139312	Antenna kit, Yagi 15 dbi with 3 m coax cable	\$415.00
144345	30 m coaxial cable, for use with non-vehicle mount antenna kits	\$480.00
139313	Antenna kit, vehicle mount. 5 dbi with 5 m coaxial cable	\$160.00
150964	RS-232 13 ft (4 m) serial cable with nine-pin (female) connector	\$200.00
150965	RS-232 13 ft (4 m) serial cable with nine-pin (male) connector	\$180.00
145085	RS-232 serial cable, unterminated	\$135.00

INDICATORS /  
CONTROLLERS



# TranSend™ MSI-7000HD

Wireless Load Cell Interface System



## Standard Features

- Works with any basic digital weight indicator
- Excitation to load cell(s) provided by the transmitter, not the indicator
- Each transmitter/receiver set is individually paired
- Serial communication cable included with all transmitters
- IP68 milled aluminum enclosure

(Contact MSI for application consultation)

## Specifications

### Power:

MSI-7000: 5-6 VDC, 7-36 VDC, 85-265 VAC  
 MSI-7001: 5-6 VDC, 7-36 VDC, 85-265 VAC  
 MSI-7000HD: 7-36 VDC, 9-36 VDC, 85-265 VAC  
 MSI-7001HD: 5-6 VDC, 7-36 VDC, 9-36 VDC, 85-265 VAC

### Excitation Voltage:

Transmitter: +4.8 VDC, 16 x 350 ohm or 32 x 700 ohm load cells

### Standard Antenna:

1/2 wave 2dBi, articulated

### Frequency:

Direct sequence spread spectrum at 2.4 GHz, 802.15.4

### Effective Range:

Typically 100 to 300 ft, line of sight; for longer range consult factory

### Communication Ports:

Full duplex RS-232

### Circuit Protection:

RFI, EMI, ESD protection

### Operating Temperature:

-40 °F to 185 °F (-40 °C to 85 °C)

### Rating/Material:

MSI-7000/MSI-7001: IP68, die-cast aluminum enclosure  
 MSI-7000HD/MSI-7001HD: IP68, durable milled aluminum enclosure

### Additional RF Options:

Wi-Fi  
 802.15.4  
 FHSS

### Warranty:

One-year limited

## Part Number/Price

Part #	Description	Est. Weight	Price
<b>Transmitters</b>			
<b>7-36 VDC Power Input</b>			
177944	Four-channel 7-36VDC, three coil relays, 802.15.4		\$2,225.00
177997	Four-channel 7-36VDC, three coil relays, Wi-Fi		\$2,235.00
<b>9-36 VDC Power Input</b>			
177945	Four-channel 9-36VDC isolated, three coil relays, 802.15.4		\$2,320.00
177998	Four-channel 9-36VDC isolated, three coil relays, Wi-Fi		\$2,345.00
<b>85-265 VAC Power Input</b>			
177942	Four-channel 85-265VAC, three coil relays, 802.15.4		\$2,280.00
177995	Four-channel 85-265VAC, three coil relays, Wi-Fi		\$2,300.00

## Options/Accessories

Part #	Description	Price
187424	Dual XBee option kit for 7000HD with TNC antenna	\$210.00
162178	Antenna extension kit, 6 ft coax cable	\$490.00
139309	Antenna kit, long range Omni with 3 m coax cable	\$510.00
139310	Antenna kit, corner reflector 9 dbi with 3 m coax cable	\$505.00
197013	Antenna extension kit, 20 ft	\$520.00
139311	Antenna kit, corner reflector 12 dbi with 3 m coax cable	\$535.00
139312	Antenna kit, Yagi 15 dbi with 3 m coax cable	\$415.00
144345	30 m coaxial cable, for use with non-vehicle mount antenna kits	\$480.00
139313	Antenna kit, vehicle mount. 5 dbi with 5 m coaxial cable	\$160.00
148624	RS-232/RS-485 serial cable	\$140.00
143348	Cordset IP68 5-pin male	\$135.00
141263	12V Battery Half Plate, requires separate power cable	\$1,550.00

INDICATORS /  
CONTROLLERS

# TranSend™ MSI-7001HD

Wireless Load Cell Interface System



## Standard Features

- Works with any basic digital weight indicator
- Excitation to load cell(s) provided by the transmitter, not the indicator
- Each transmitter/receiver set is individually paired
- Serial communication cable included with all transmitters
- IP68 milled aluminum enclosure

(Contact MSI for application consultation)

## Specifications

### Power:

MSI-7000: 5-6 VDC, 7-36 VDC, 85-265 VAC  
 MSI-7001: 5-6 VDC, 7-36 VDC, 85-265 VAC  
 MSI-7000HD: 7-36 VDC, 9-36 VDC, 85-265 VAC  
 MSI-7001HD: 5-6 VDC, 7-36 VDC, 9-36 VDC, 85-265 VAC

### Excitation Voltage:

Transmitter: +4.8 VDC, 16 x 350 ohm or 32 x 700 ohm load cells

### Standard Antenna:

1/2 wave 2dBi, articulated

### Frequency:

Direct sequence spread spectrum at 2.4 GHz, 802.15.4

### Effective Range:

Typically 100 to 300 ft, line of sight; for longer range consult factory

### Communication Ports:

Full duplex RS-232

### Circuit Protection:

RFI, EMI, ESD protection

### Operating Temperature:

-40 °F to 185 °F (-40 °C to 85 °C)

### Rating/Material:

MSI-7000/MSI-7001: IP68, die-cast aluminum enclosure  
 MSI-7000HD/MSI-7001HD: IP68, durable milled aluminum enclosure

### Additional RF Options:

Wi-Fi  
 802.15.4  
 FHSS

### Warranty:

One-year limited

## Part Number/Price

Part #	Description	Est. Weight	Price
<b>Transmitters</b>			
<b>5-6 VDC</b>			
178010	Two-channel 5-6VDC, 802.15.4		\$1,240.00
178018	Two-channel 5-6VDC, Wi-Fi		\$1,340.00
<b>7-36 VDC</b>			
178011	Two-channel 7-36VDC, 802.15.4		\$1,325.00
178019	Two-channel 7-36VDC, Wi-Fi		\$1,350.00
<b>9-36 VAC Isolated</b>			
178012	Two-channel 9-36VDC isolated, 802.15.4		\$1,340.00
178020	Two-channel 9-36VDC isolated, Wi-Fi		\$1,425.00
<b>85-265 VAC</b>			
178021	Two-channel 85-265VAC, 802.15.4		\$1,370.00
178017	Two-channel 85-265VAC, W-Fi		\$1,400.00

## Options/Accessories

Part #	Description	Price
162172	Charger, TranSend™ for 6V SLA battery	\$70.00
162173	Battery, TranSend 6V SLA	\$135.00
162175	Enclosure, TranSend for 6V SLA battery	\$350.00
160109	AC adapter, TranSend 6V	\$59.00
143531	Power cord, 6 V SLA battery charger EU	\$31.00
143533	Power cord, 6 V SLA battery charger, Australia	\$54.00
143534	Power cord, 6 V SLA battery charger, UK	\$47.00
160110	265 VAC to 6 VDC wall adapter US/UK/EU/AUS/China	\$59.00
162178	Antenna extension kit, 6 ft coax cable	\$490.00
139309	Antenna kit, long range Omni with 3 m coax cable	\$510.00
139310	Antenna kit, corner reflector 9 dbi with 3 m coax cable	\$505.00
197013	Antenna extension kit, 20 ft	\$520.00
139311	Antenna kit, corner reflector 12 dbi with 3 m coax cable	\$535.00
139312	Antenna kit, Yagi 15 dbi with 3 m coax cable	\$415.00
144345	30 m coaxial cable, for use with non-vehicle mount antenna kits	\$480.00
139313	Antenna kit, vehicle mount. 5 dbi with 5 m coaxial cable	\$160.00
148624	RS-232/RS-485 serial cable	\$140.00
143348	Cordset IP68, 5-pin	\$135.00

INDICATORS / CONTROLLERS

# ScaleCore Webserver

Wireless Network Router/Webserver



## Approvals



## Part Number/Price

Part #	Description	Price
207943	ScaleCore Webserver, 5 VDC and PoE	\$3,820.00
209704	ScaleCore Webserver, 7-14 VDC and PoE	\$3,820.00
210817	ScaleCore Webserver, 85-265 VAC and PoE wall cube	\$3,820.00

## Options/Accessories

Part #	Description	Price
Consult	Extended-range antennas	Consult
213559	MSI-8000 handheld remote display with Wi-Fi, (only to be used with MSI ScaleCore Webserver systems and applications)	\$1,560.00

## Standard Features

- Display and control multiple ScaleCore based scales, indicators, remote displays and receivers through network connected devices using a web browser, including cell phones, tablets, and PCs.
- Capable of functioning either with an existing Wi-Fi network or as its own Wi-Fi router
- Can be powered by a dedicated power input or directly through the Ethernet cable where PoE (Power over Ethernet) is supported
- RS-232 communications at up to 460 Kbps
- Scale / load cell summing
- Tiered login to limit scale functionality for different levels of users

(Contact MSI for application consultation)

## Specifications

### Minimum System Requirements:

Will display on any device with a web browser supporting HTML 5  
 Connected ScaleCore based MSI scales and indicators are required to have the optional Wi-Fi radio module

### Connectivity:

Wi-Fi 2.4 GHz IEEE 802.11g  
 Gigabit Ethernet  
 2 × USB 2.0 Interface  
 RS-232 Serial

### Status Annunciators:

Units (lb, kg, short tons (tn), metric tons (t), (NONE) gross/net, motion, center of zero

### Operating Temperature:

-10 °C to 40 °C (14 °F to 104 °F)

### Effective Range:

Typically 100 to 300 ft, line of sight; for longer range consult factory

### Enclosure:

IP65, aluminum black powder coated (excludes 85 to 265 VAC model)

### Power:

5 to 6 VDC, 7 to 14 VDC, 85 to 265 VAC, PoE

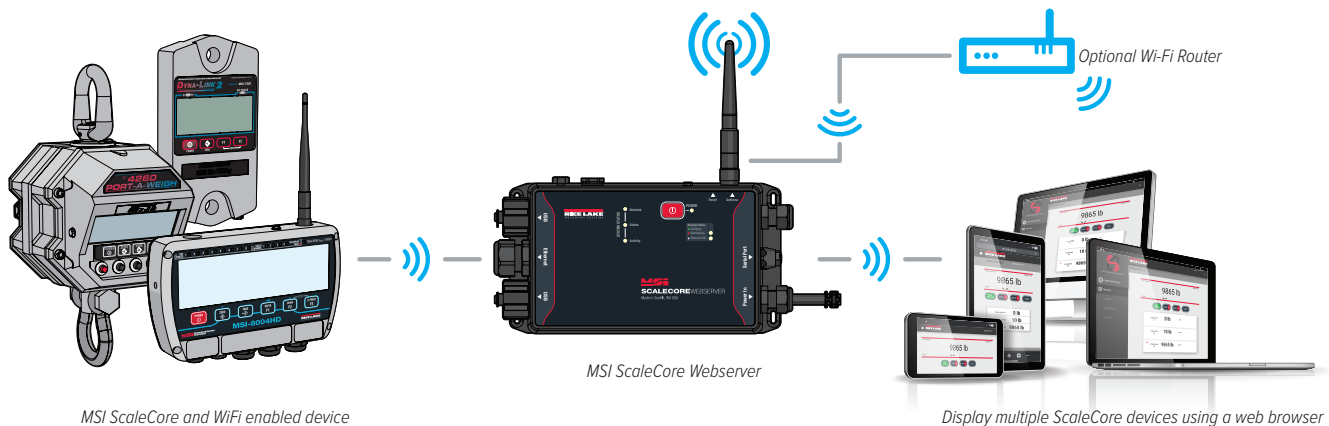
### Warranty:

One year limited

### Approvals:

NTEP CC 21-098 Classes III and IIIL at 10,000d

INDICATORS / CONTROLLERS

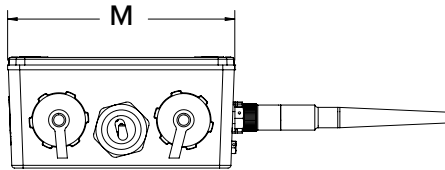
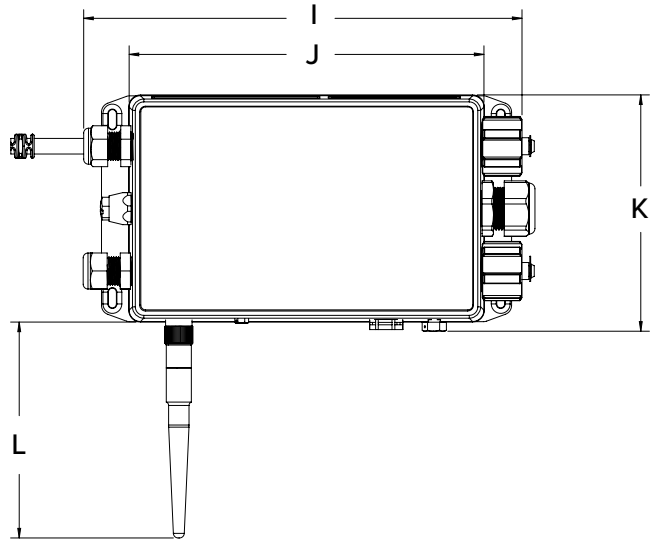
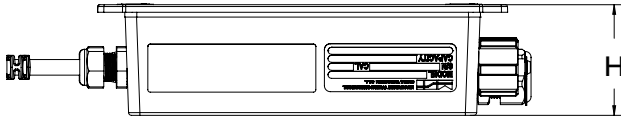
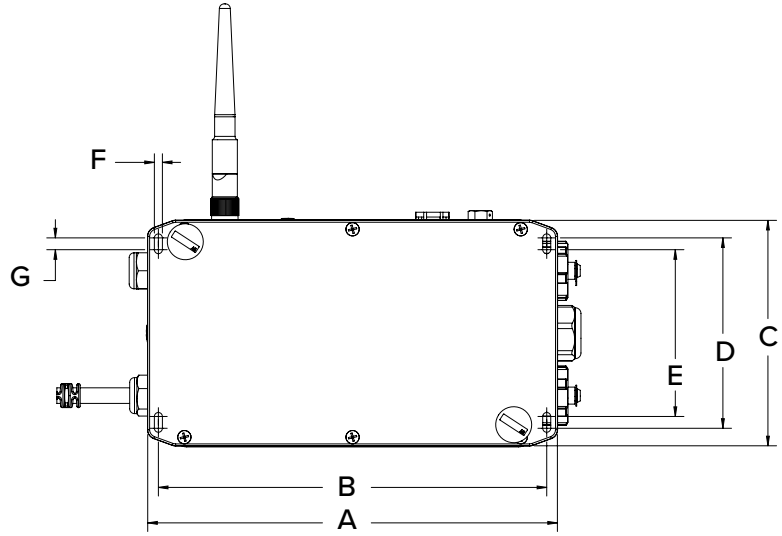


# ScaleCore Webserver

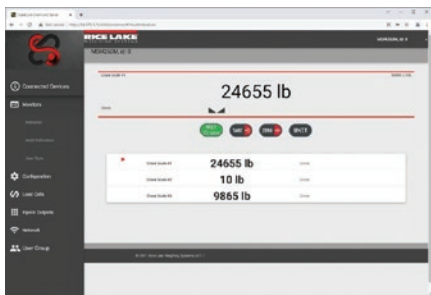
Wireless Network Router/Webserver

## Dimensions

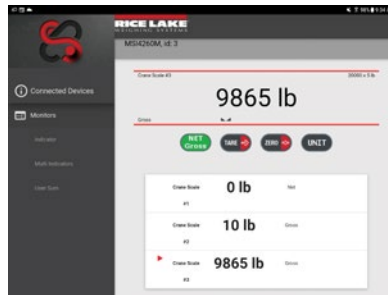
ScaleCore Webserver			
A	8.54 in (217 mm)	H	2.23 in (57 mm)
B	8.09 in (205 mm)	I	9.13 in (232 mm)
C	4.70 in (119 mm)	J	7.40 in (188 mm)
D	3.97 in (101 mm)	K	4.90 in (124 mm)
E	3.47 in (88 mm)	L	4.50 in (114 mm)
F	0.17 in (4 mm)	M	4.70 in (119 mm)
G	0.25 in (6 mm)		



INDICATORS / CONTROLLERS



Computer Screenshot



Tablet Screenshot



Phone Screenshot

# Rugged Remote



Approvals



## Part Number/Price

Part #	Description	Price
173014	MSI Rugged Remote control	\$355.00

## Standard Features

- Handheld
- Compatible with all ScaleCore™-based products including: MSI-7300 Dyna-Link 2, MSI-3460 Challenger 3, MSI-4260 Port-A-Weigh, MSI-7000 and MSI-7001 TranSend™, MSI-9600HT and MSI-6360
- Four button interface: Power, Zero, Tare, Function

## Options

(Contact MSI for application consultation)

- CE approved version available, consult for more information

## Specifications

### Power:

Battery operated, three (3) AAA alkaline batteries

### Function:

Power: turns unit ON or OFF

Zero: zeros applied load up to 100% of capacity (limited range in NTEP/OIML configurations)

Tare: tares applied load and displays weight in Net mode

User: programmable as test, units, net/gross, total, peak hold and setpoints

### Radio Effective Range:

Typically 100-300 ft line of sight

### Warranty:

One-year limited

### Approval:

CE Marked versions available

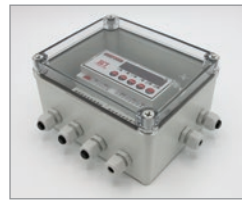
INDICATORS /  
CONTROLLERS

# SCT-1100

Signal Conditioning Transmitter



SCT1100-AN with Analog Output



SCT-1100-AN in Plastic Enclosure

## Approvals



Measurement  
Canada  
Approved



## Standard Features

- Up to four independent scales or four load cell inputs
- Quick menu for real and theoretical calibration
- Red LED display
- DIN rail mountable
- Configurable calibration and setup parameters from keyboard
- Calibration using linearization points
- Reading of the net, gross and tare weights, clearing, semi-automatic and pre-settable tare, scale switch, setting of outputs application thresholds
- Diagnostic information via serial port, message display, printing, setting of APW in counting mode, digital input for key press
- Modbus RU or ASCII protocol
- Easy configuration with Rice Lake Tools software

## Part Number/Price

Part #	Description	Est. Weight	Price
202101	Indicator, SCT-1100-AN four load cell input with Analog Output	1 lb	\$510.00
197011	Indicator, SCT-1100-AN four load cell input with Analog Output in plastic enclosure	1 lb	\$645.00

NOTE: PN 182588 is superseded by 202101

## Options/Accessories

Part #	Description	Est. Weight	Price
188483	SCT-1000 converter RS-232/485 to Ethernet TCP/IP and Modbus TCP. Does not have an A/D	1 lb	\$400.00
88792	12VDC 1.2A DIN rail mount power supply	1 lb	\$140.00
119244	24VDC 1.3A DIN rail mount power supply	1 lb	\$160.00



SCT-1000  
Serial to Ethernet converter

## Specifications

- Power:**  
12/24 VDC
- Power Consumption:**  
70 mA min to 100 mA max
- Excitation Voltage:**  
5VDC, 120 mA, 8 × 350 ohm load cells
- Analog Signal Input Range:**  
± 39 mV
- Analog Signal Sensitivity:**  
0.3 µV/graduation minimum
- A/D Sample Rate:**  
Four channel A/D 24-bit sigma-delta conversion, up to 200 conv./sec. auto select
- Resolution:**  
Internal: 1,500,000 counts  
Display: 800,000
- Digital I/O:**  
Two inputs: 12/24 VDC  
Two outputs: 150 mA 48 VAC/150 mA 60 VDC
- Serial Ports:**  
Modbus RTU or ASCII selectable/bidirectional (both ports)  
(1) RS-485 for connection to a PC or weight repeater  
(1) RS-232 for connection to a PC or printer
- Analog Output (if equipped):**  
Opto isolated, 16-bit  
0 to 20mA, 4 to 20mA (Maximum 350 ohm)  
0 to 5 VDC, 0 to 10 VDC (Minimum 10,000 ohm)
- Annunciators:**  
Net, center of zero, stability
- Display:**  
Six-digit (10 mm), red LED
- Keys/Buttons:**  
Five key, membrane panel, tactile feel Zero (Down), Tare (Up), Mode (Right), Print (Enter), C (On/Off)
- Dimensions:**  
(L × W × H)  
4.17 × 3.54 × 2.28 in  
(106 × 90 × 58 mm)
- Temperature:**  
5 °F to 104 °F (-15 °C to 40 °C)
- Humidity:**  
85% non-condensing
- Rating/Material:**  
Enclosure: NEMA Type 4, plastic  
Clear cover: six PG9 cord grips
- Warranty:**  
One-year limited
- Approvals:**  
NTEP 20-046  
Measurement Canada AM-6165C  
OIML R76/2006-A-GB1-19.17  
UKCA Marked  
cULus Listed



SCT2200 Pictured with optional EtherNet/IP Module

### Specifications

- Power:**  
12/24 VDC
- Power Consumption:**  
70 mA min to 100 mA max
- Excitation Voltage:**  
5 VDC, 120 mA, 8 × 350 ohm load cells
- Analog Signal Input Range:**  
± 39 mV
- Analog Signal Sensitivity:**  
0.3 µV/graduation minimum
- A/D Sample Rate:**  
One channel A/D 24-bit sigma-delta conversion, up to 200 conv./sec. auto select
- Resolution:**  
Internal: 1,500,000 counts  
Display: 800,000
- Digital I/O:**  
Two inputs: 12/24 VDC  
Two outputs: 150 mA 48 VAC/ 150 mA 60 VDC
- Communication Ports:**  
(1) RS-485, (1) RS-232  
Analog output (if equipped):  
Opt isolated, 16-bit  
0-20 mA, 4-20 mA (Maximum 350 ohm)  
0-5 VDC, 0-10 VDC (Minimum 10,000 ohm)
- Annunciators:**  
Net, center of zero, stability
- Display:**  
Six-digit 0.31 in (8 mm), red LED
- Keys/Buttons:**  
Five key, tactile feel  
Zero (Down), Tare (Up), Mode (Right), Print (Enter), C (On/Off)
- Dimensions:**  
(L × H × D)  
4.72 × 4.52 × 0.98 in  
(120 × 115 × 25 mm)
- Temperature & Humidity:**  
Certified: 14 °F to 104 °F (-10 °C to 40 °C)  
Operating: 14 °F to 122 °F (-10 °C to 50 °C)  
Humidity: 85% non-condensing
- Rating/Material:**  
NEMA Type 1 plastic pluggable connectors
- Weight:**  
1 lb (0.5 kg)
- Warranty:**  
One-year limited
- Approvals:**  
NTEP 20-046  
Measurement Canada AM-6165C  
OIML R76/2006-A-GB1-19.17  
UKCA Marked  
cULus Listed

INDICATORS / CONTROLLERS

### Approvals



### Standard Features

- HUB mode connects up to 16 transmitters to one fieldbus
- Quick menu for real and theoretical calibration
- Remote access through web browser for weight monitoring and calibration over EtherNet/IP, Profinet and Modbus TCP network
- Red LED display
- DIN rail mountable
- Calibration using linearization points
- Reading of the net, gross and tare weights, clearing, semi-automatic and presettable tare setting of outputs application thresholds
- Diagnostic information via serial port, message display, printing, simulation of key pressure, Modbus RTU or ASCII protocol
- Two RS-485 port for "daisy-chain" network connection
- Printer management on second serial port available
- Multi-range function allows for subdividing the scale capacity in two, each up to 3,000 divisions
- Easy configuration with Rice Lake Tools software

### Part Number/Price

Part #	Description	Est. Weight	Price
<b>Transmitters</b>			
202103 *	Indicator, SCT-2200 for scale input to be used with fieldbus module	1 lb	\$355.00
202104 *	Indicator, SCT-2200-AN with analog output	1 lb	\$485.00
<b>Fieldbus</b>			
182592	Fieldbus, SCT-2200, Profinet module	1 lb	\$595.00
194343	Fieldbus, SCT-2200, Ethernet TCP/IP and Wi-Fi	1 lb	\$595.00
182593	Fieldbus, SCT-2200, Profibus module	1 lb	\$385.00
182591	Fieldbus, SCT-2200, EtherNet/IP module	1 lb	\$595.00
182596	Fieldbus, SCT-2200, DeviceNet module	1 lb	\$595.00
182598	Fieldbus, SCT-2200, EtherCAT module	1 lb	\$590.00
182597	Fieldbus, SCT-2200, CANopen module	1 lb	\$590.00
196694	Fieldbus, SCT-2200, Modbus TCP module	1 lb	\$595.00
182599	Cable with RJ45 plugs, 6 in length	1 lb	\$12.00
212772 **	Fieldbus, SCT-2200, Profibus module	1 lb	\$385.00

NOTE: PN 182587 is superseded by 202103 and PN 182589 is superseded by 202104.

\*How to Order the SCT-2200 for use with fieldbus module

Order 1 RJ45 cable for every Scale module connected to a Fieldbus module.

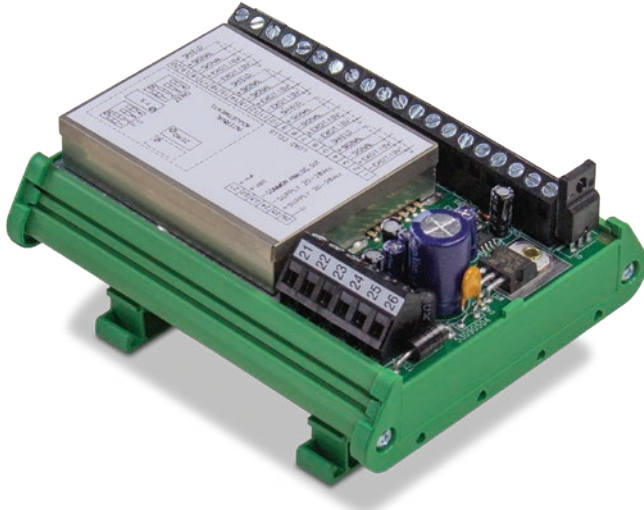
\*\* Compatible with 682 indicator

### Options/Accessories

Part #	Description	Est. Weight	Price
88792	12VDC 1.2A DIN rail mount power supply	1 lb	\$140.00
119244	24VDC 1.3A DIN rail mount power supply	1 lb	\$160.00

# SCT-3300

Signal Conditioning Transmitter



Approvals



INDICATORS /  
CONTROLLERS

## Part Number/Price

Part #	Description	Est. Weight	Price
<b>Transmitters</b>			
188725	Indicator, SCT-3300 four load cell input with Analog Output	1 lb	\$400.00

## Options/Accessories

Part #	Description	Est. Weight	Price
88792	12VDC 1.2A DIN rail mount power supply	1 lb	\$140.00
119244	24VDC 1.3A DIN rail mount power supply	1 lb	\$160.00

## Standard Features

- Powers up to six (350 ohm) load cells in parallel
- Analog amplifier and transmitter
- Analog output: 0-20 mA, 4-20 mA, 0-10 V
- Mounting on Omega/DIN rail for back panel or junction box

## Specifications

### Power:

Input: 20 to 28 VDC

### Power Consumption:

8 W

### Excitation Voltage:

10 VDC, 170 mA, 6 × 350 ohm load cells

### Analog Signal Input Range:

3.5 to 24 mV

### Analog Signal Sensitivity:

0.3 μV/graduation minimum  
1.0 μV/graduation recommended

### A/D Sample Rate:

300 Hz

### System linearity:

± 0.01% full scale

### Analog Output (if equipped):

Opto isolated  
0-20 mA, 4-20 mA (max 300 ohm)  
0-10 VDC (min 10,000 ohm)

### Dimensions:

(L × W × H)  
4.56 × 3.72 × 2.4 in  
(114 × 93 × 60 mm)

### Temperature & Humidity:

Operating: 14 °F to 122 °F (-10 °C to 50 °C)  
Humidity: 85% non-condensing

### Rating/Material:

DIN rail mount: NEMA Type 1

### Weight:

0.5 lb (0.2 kg)

### Warranty:

One-year limited

### Approvals:

UKCA Marked





### Specifications

- Power:**  
12 to 24 VDC, 5W
- Power Consumption:**  
70 mA min to 100 mA max
- Excitation Voltage:**  
5V, 120 mA, 16 × 350 ohm load cells
- Analog Signal Input Range:**  
± 39 mV
- Analog Signal Sensitivity:**  
High resolution 0.01 µV/d  
Legal for trade 0.3 µV/e
- A/D Sample Rate:**  
Up to 4800 Hz
- Resolution:**  
Internal: 1,500,000 counts  
Display: 800,000  
Legal-for-trade divisions  
Up to 10,000e or multi-field 2 × 3,000e
- Digital I/O:**  
Two inputs, configurable: 12/24 VDC  
Four outputs, configurable: 150 mA 48 VAC/  
150 mA 60 VDC
- Communication Ports:**  
(1) RS-485, (1) RS-232  
1 micro-USB port (device)  
Serial port update rate: up to 1600 Hz  
Fieldbus update rate: up to 120 Hz
- Analog Output (if equipped):**  
Opto. isolated, 16-bit  
0 to 20mA, 4 to 20mA (Maximum 350 ohm)  
0 to 5 VDC, 0 to 10 VDC (Minimum 10,000 ohm)
- Annunciators:**  
Net, center of zero, stability
- Display:**  
Six-digit (8 mm), red LED
- Keys/Buttons:**  
Five key, membrane panel  
Zero (Down), Tare (Up), Mode (Right), Print (Enter),  
C (On/Off)
- Dimensions:**  
(L × W × H)  
4.72 x 0.90 x 4.00 in  
(120 x 23 x 112 mm)
- Temperature & Humidity:**  
For internal use -20°C to 60°C  
Approved -10°C to 40°C  
Humidity: 85% non-condensing
- Rating/Material:**  
Enclosure: ABS plastic
- Warranty:**  
One-year limited
- Approvals:**  
CE-M EN 45501

### Standard Features

- Load cell status diagnostics
- USB port for quick programming
- Integrated fieldbus and web server for configuration, diagnostics and data backup
- Process up to 4800 weight readings per second. The high speed allows an extremely accurate weight filtering even with weighing being performed in milliseconds.
- Up to 120 updates per second on Fieldbus.
- New power supply circuit of the load cells (up to 16) for a better weighing stability.
- Power supply circuit with protections against overloads, polarity reversal and short circuits, specific for industrial environments.
- Micro-USB communication port for configuration, diagnostics and data backup available on all versions.
- Modbus RTU protocol integrated on all versions, up to 110 updates per second.
- Real time warning of any faults or disconnections of the load cell.
- The integrated web server allows full diagnostics, calibration and remote configuration of the weight transmitter from an Ethernet network.
- Calibration via theoretical (mVV), with sample weights, Web server or XSpeed software tool

### OPTIONAL XSPED SOFTWARE

- Customization of the weighing filter, to maximize the speed and accuracy in static and dynamic applications
- Graphical weighing analysis for the identification of mechanical disturbances and vibrations.  
Oscilloscope function for system diagnostics and filter optimization

### Part Number/Price

Part #	Description	Est. Weight	Price
216820	SCT-1SX-AN weight transmitter and analog output for DIN rail mount with DIO 2 IN and 4 OUT, integrated web server		\$895.00
216822	SCT-1SX-ETHIP weight transmitter and EtherNet/IP port for DIN rail mount with DIO 2 IN and 4 OUT, integrated web server		\$1,295.00
216821	SCT-1SX-PRONET weight transmitter and PROFINET port for DIN rail mount with DIO 2 IN and 4 OUT, integrated web server		\$1,095.00
216823	SCT-1SX-MODTCP weight transmitter and Modbus/TCP port for DIN rail mount with DIO 2 IN and 4 OUT, integrated web server		\$1,295.00

### Options/Accessories

Part #	Description	Est. Weight	Price
88792	12VDC 1.2A DIN rail mount power supply	1 lb	\$140.00
119244	24VDC 1.3A DIN rail mount power supply	1 lb	\$160.00
Consult	PC software, XSpeed with graphical weighing analysis and oscilloscope function for system diagnostics and filter optimization		Consult
Consult	Alibi Memory for type-approved communication to PC/PLC (fiscal memory, max 120,000 weighs) built-in real time clock to print the date/time with PCB, screw terminal, plastic box		Consult
Consult	Real time clock for printing/displaying of date and time		Consult

INDICATORS / CONTROLLERS

# SCT-4X

4-Channel Integrated Fieldbus Transmitter



## Specifications

- Power:**  
12 to 24 VDC
- Power Consumption:**  
5W
- Excitation Voltage:**  
5 VDC, 120 mA  
up to 16 x 350 ohm cells
- Analog Signal Input Range:**  
± 39 mV
- Analog Signal Sensitivity:**  
0.3 µV/graduation minimum
- A/D Sample Rate:**  
24-bit A/D  
Single-channel up to 2600 conv/sec  
4 channels up to 100 conv/sec
- Resolution:**  
Internal: 3,000,000 counts  
Display: up to 800,000  
Up to 8 linearization points
- Digital I/O:**  
Two inputs: 12/24 VDC  
Two outputs: 150 mA 48 VAC/ 150 mA 60 VDC
- Communication Ports:**  
1 Micro-USB port (device) for PC configuration  
(1) RS-485, (1) RS-232
- Analog Output (if equipped):**  
Opt. isolated, 16-bit  
0-20mA, 4-20mA (Maximum 350 ohm)  
0-5 VDC, 0-10 VDC (Minimum 10,000 ohm)
- Annunciators:**  
Nine LEDs
- Display:**  
Six-digit 0.31 in (8 mm), red LED
- Keys/Buttons:**  
Five tactile keys  
Zeroing, Tare, Function mode, Manual data printing/  
sending, ON/Stand-by
- Dimensions:**  
(L x W x H)  
4.17 x 2.20 x 4.64 inches  
(106 x 56 x 118 mm)
- Temperature & Humidity:**  
Certified: 14 °F to 104 °F (-10 °C to 40 °C)  
Operating: -4 °F to 140 °F (-20 °C to 60 °C)
- Humidity:**  
80% RH, non-condensing
- Rating/Material:**  
NEMA Type 1 plastic pluggable connectors  
ABS
- Weight:**  
1 lb (0.5 kg)
- Warranty:**  
One-year limited
- Approvals:**  
CE-M EN 45501

## Standard Features

- Manage up to 4-load cells (1 scale) or 4 scales with load cell feed circuit for greater weighing stability
- Process to 2600 weight readings per second for single-channel
- 14.2 mm display with new configuration menu to simplify calibration and configuration
- All data and adjustments of each scale are available through integrated fieldbus with up to 120 updates per second
- Integrated web server allows complete diagnostics, calibration and remote configuration
- Frontal micro-USB communication port for configuration, diagnostics and data backup.
- Removable terminal blocks to simplify wiring in the electrical panel
- RS-485 communication port always available on all versions
- Power supply circuit with protections, specific for industrial environment

## OPTIONAL XSPEED SOFTWARE

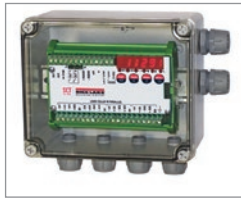
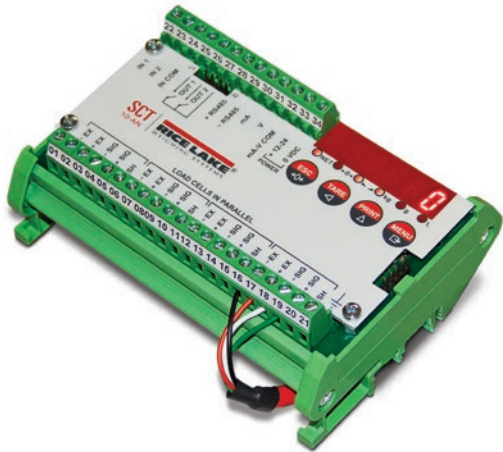
- Customization of the weighing filter, to maximize the speed and accuracy in static and dynamic applications
- Graphical weighing analysis for the identification of mechanical disturbances and vibrations.
- Oscilloscope function for system diagnostics and filter optimization

## Part Number/Price

Part #	Description	Est. Weight	Price
216824	SCT-4XAN high speed weight transmitter and analog output for DIN rail mount with 2 IN, 2 OUT, keypad, LED display		\$940.00
216825	SCT-4X-ETHIP high speed 4 channel weight transmitter and EtherNet/IP port for DIN rail mount with DIO 2 IN, 2 OUT, 5-key keypad, LED display		\$1,195.00
216826	SCT-4X-MODTCP high speed 4 channel weight transmitter and Modbus/TCP port for DIN rail mount with DIO 2 IN, 2 OUT, 5-key keypad, LED display		\$1,195.00
216827	SCT-4X-PRONET high speed 4 channel weight transmitter and PROFINET port for DIN rail mount with DIO 2 IN, 2 OUT, 5-key keypad, LED display		\$1,125.00

## Options/Accessories

Part #	Description	Est. Weight	Price
88792	12VDC 1.2A DIN rail mount power supply	1 lb	\$140.00
119244	24VDC 1.3A DIN rail mount power supply	1 lb	\$160.00
Consult	PC software, XSpeed with graphical weighing analysis and oscilloscope function for system diagnostics and filter optimization		Consult
Consult	Alibi Memory for type-approved communication to PC/PLC (fiscal memory, max 120,000 weighs) built-in real time clock to print the date/time with PCB, screw terminal, plastic box		Consult
Consult	Real time clock for printing/displaying of date and time		Consult



SCT-10 in Plastic Enclosure

### Specifications

- Power:**  
Input: 12 to 24 VDC
- Power Consumption:**  
5 W
- Excitation Voltage:**  
5 VDC, 120 mA, 8 × 350 ohm load cells
- Analog Signal Input Range:**  
+/- 19.5 mV
- Analog Signal Sensitivity:**  
0.3 µV/graduation minimum  
1.0 µV/graduation recommended
- A/D Sample Rate:**  
80 Hz
- Resolution:**  
Internal: 16,000,000 counts  
Display: 999,999
- System Linearity:**  
± 0.01% full scale
- Digital I/O:**  
2 inputs 5-24VDC, 2 outputs  
24 VDC/60 mA  
N.O. or N.C. (solid state)
- Communication Ports:**  
RS-485 or RS-232 simplex supports  
up to 115,200 bps
- Analog Output:**  
Opto isolated, 16 bit  
0-20 mA, 4-20 mA (max 300 ohm)  
0-10 VDC, 0-5 VDC, -10 to 10 VDC,  
5 to 5 VDC, (min 10k ohm)
- Annunciators:**  
Net, center of zero, stability,  
KG, G, LB
- Display:**  
0.3 in (8 mm), six-digit, 7 segment LED
- Keys/Buttons:**  
4-key membrane panel, tactile feel  
Zero, Tare, Print, Menu, Escape,  
Left and Up Navigation, Enter
- Dimensions:**  
(L × W × H)  
DIN Rail Mount: 4.84 × 3.62 × 1.96 in  
(123 × 92 × 50 mm)  
Enclosure: 6.69 × 5.51 × 3.74 in  
(170 × 140 × 95 mm)
- Temperature & Humidity:**  
Operating Temperature: -4 °F to 140 °F  
(-20 °C to 60 °C)  
Humidity: 85% non-condensing
- Rating/Material:**  
DIN rail mount: NEMA Type 1  
Enclosure: NEMA Type 4/IP67, plastic  
Clear cover: six PG9 cord grips
- Weight:**  
1 lb (0.5 kg)
- Warranty:**  
One-year limited
- Approvals:**  
cULus Recognized

Approvals



### Standard Features

- Converts digital weight to analog output
- Sums four input channels in parallel
- Theoretical calibration, real-weigh calibration, linearity calibration
- Push-button or preset tare
- Full-scale analog output with zero setting and PLC correction of analog signal
- Displays weight, configuration, calibration and error conditions
- DIN-rail mounting, suitable for back panel
- Two digital inputs, two digital outputs
- Supports ASCII or MODBUS-RTU protocols

### Part Number/Price

Part #	Description	Est. Weight	Price
129393	SCT-10 converter with Analog Output	1 lb	\$530.00
129394	SCT-10 converter with Analog Output in enclosure	1 lb	\$675.00

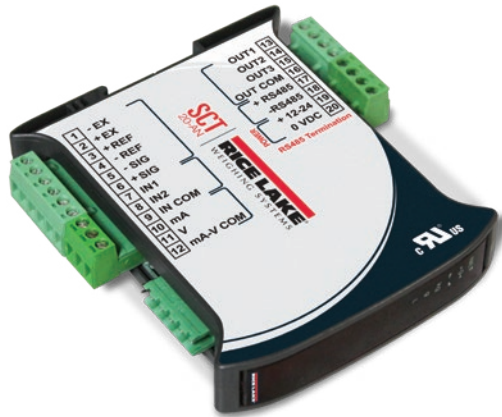
### Options/Accessories

Part #	Description	Est. Weight	Price
88792	12VDC 1.2A DIN rail mount power supply	1 lb	\$140.00
119244	24VDC 1.3A DIN rail mount power supply	1 lb	\$160.00
131129	Installation manual	1 lb	\$25.00
199687	DIN rail clip right & left end clamp		\$11.00

INDICATORS / CONTROLLERS

# SCT-20

Signal Conditioning Transmitter



## Approvals



## Standard Features

- Space saving, vertical shape with DIN-rail mounting
- Displays weight, configuration, calibration and error conditions
- Theoretical calibration, real-weigh calibration, linearity calibration
- Push-button or preset tare
- Converts digital weight to analog output or optional DeviceNet™ or Profibus™ or EtherNet/IP™ protocol
- Supports ASCII or MODBUS-RTU protocols
- Full-scale analog output with zero setting and PLC correction of analog signal
- Bit swapping selection for little endian and big endian format
- Two digital inputs, three digital outputs
- One serial port, RS-232 transmit only, or RS-485 half duplex connection

## Part Number/Price

Part #	Description	Est. Weight	Price
129396	SCT-20 converter with Analog Output	1 lb	\$530.00
129397	SCT-20 converter with DeviceNet™	1 lb	\$675.00
129558	SCT-20 converter with Profibus™ DP	1 lb	\$735.00
129398	SCT-20 converter with EtherNet/IP™	1 lb	\$950.00
132534	SCT-20 converter with Ethernet TCP/IP™	1 lb	\$950.00
156903	SCT-20 converter with Modbus/TCP	1 lb	\$950.00
131128	Installation manual	1 lb	\$25.00
162887	SCT-20 converter with Ethernet TCP/IP	1 lb	\$995.00

*EtherNet/IP and Modbus output changed to Dual Port in 2019.*

## Options/Accessories

Part #	Description	Est. Weight	Price
88792	12VDC 1.2A DIN rail mount power supply	1 lb	\$140.00
119244	24VDC 1.3A DIN rail mount power supply.	1 lb	\$160.00

## Specifications

### Power:

Input: 12 to 24 VDC

### Power Consumption:

5 W

### Excitation Voltage:

5 VDC, 120 mA, 8 × 350 ohm load cells

### Analog Signal Input Range:

+/-39 mV

### Analog Signal Sensitivity:

0.3 µV/graduation minimum  
1.0 µV/graduation recommended

### A/D Sample Rate:

300 Hz

### Resolution:

Internal: 16,000,000 counts  
Display: 999,999

### System linearity:

± 0.01% full scale

### Digital I/O:

2 inputs 5 to 24 VDC, 3 outputs 115 VAC/150 mA  
N.O. or N.C. (dry contact)

### Communication Ports:

RS-232 transmit only, or RS-485 half duplex  
Supports up to 115,200 bps

### Analog Output:

Opto isolated, 16 bit  
0-20 mA, 4-20 mA (max 300 ohm)  
0-10 VDC, 0-5 VDC (min 10k ohm)

### Display:

0.3 in (8 mm), six-digit, seven-segment LED  
Annunciators: Net, center of zero, stability,  
KG, G, LB

### Keys/Buttons:

4-key membrane panel, tactile feel  
Zero, Tare, Print, Menu, Escape, Left & Up  
Navigation, Enter

### Dimensions

(W × H × D)  
4.72 × 4.52 × 0.98 in  
(120 × 115 × 25 mm)

### Temperature & Humidity:

Operating: -4 °F to 140 °F (-20 °C to 60 °C)  
Humidity: 85% non-condensing

### Rating/Material:

Enclosure: NEMA Type 1 plastic  
pluggable connectors

### Weight:

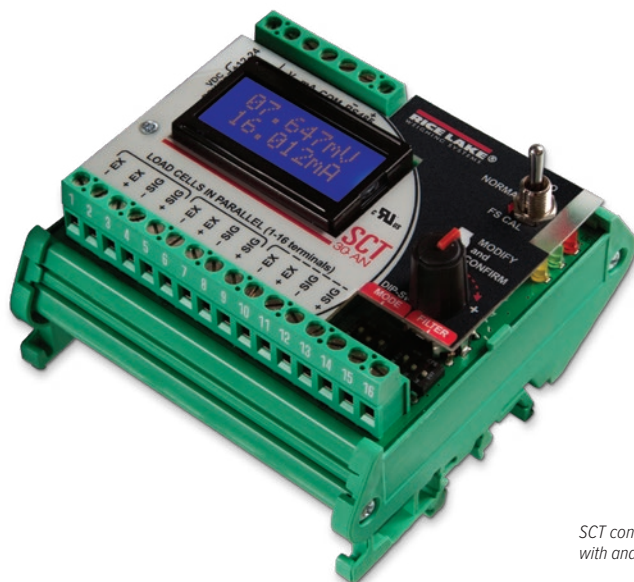
1 lb (0.5 kg)

### Warranty:

One-year limited

### Approvals:

NTEP CC 14-083  
cULus Recognized



SCT converter with analog output

### Approvals



### Part Number/Price

Part #	Description	Est. Weight	Price
156794	SCT-30 converter with Analog Output	1 lb	\$430.00
156834	SCT-30 converter with Analog Output in enclosure	1 lb	\$595.00

### Options/Accessories

Part #	Description	Est. Weight	Price
88792	12VDC 1.2A DIN rail mount power supply	1 lb	\$140.00
119244	24VDC 1.3A DIN rail mount power supply.	1 lb	\$160.00
131129	Installation manual	1 lb	\$25.00
199707	DIN rail clip right & left end clamp		\$11.00

### Standard Features

- LCD display
- Powers up to eight (350 ohm) load cells in parallel (with a 24-bit A/D converter)
- A/D converter 24-bit 4.8 kHz
- 16-bit analog output: 0-20 mA, 4-20 mA, 0-5 V, 0-10 V,  $\pm 5$  V, and  $\pm 10$  V
- Mounting on Omega/DIN rail for back panel or junction box
- Diagnostic message for load cell disconnect and over-capacity errors

### Specifications

#### Power:

Input: 12 to 24 VDC

#### Power Consumption:

3 W

#### Excitation Voltage:

5 VDC, 120 mA, 8  $\times$  350 ohm load cells

#### Analog Signal Input Range:

$\pm 1$ -39 mV

#### Analog Signal Sensitivity:

0.3  $\mu$ V/graduation minimum  
1.0  $\mu$ V/graduation recommended

#### A/D Sample Rate:

300 Hz

#### Resolution:

Internal: 16,000,000 counts

#### System Linearity:

$\pm 0.01\%$  full scale

#### Communication Ports:

RS-485

#### Analog Output:

Opto isolated, 16 bit  
0-20 mA, 4-20 mA (max 300 ohm)  
0-10 VDC, 0-5 VDC (min 10k ohm)

#### Display:

Eight-digit alphanumeric tow line LCD, 5 mm high

#### Keys/Buttons:

Control knob and DIP switches

#### Dimensions:

(L  $\times$  W  $\times$  H)  
3.74  $\times$  3.54  $\times$  2.36 in  
(95  $\times$  90  $\times$  60 mm)

#### Temperature & Humidity:

Operating: -4  $^{\circ}$ F to 140  $^{\circ}$ F (-20  $^{\circ}$ C to 60  $^{\circ}$ C)  
Humidity: 85% non-condensing

#### Rating/Material:

DIN rail mount: NEMA Type 1

#### Weight:

1 lb (0.5 kg)

#### Warranty:

One-year limited

#### Approval:

cULus Recognized

# SCT-40

Signal Conditioning Transmitter



Approvals



## Standard Features

- LCD display
- Supports up to eight independent reading channels for load cells
- Displays weight, configuration, calibration and error conditions
- DIN rail mounting
- Theoretical calibration, real-weight calibration and linear calibration
- Push-button or preset tare
- Converts digital weight to analog output or optional DeviceNet™, Profibus™, EtherNet/IP™, PROFINET and Modbus TCP protocols
- Supports ASCII or MODBUS RTU protocols
- Bit swapping selection for little endian and endian format
- Three digital inputs, five digital outputs
- One serial port, RS-485 half duplex or RS-232 transmit-only connection

### SCT-40AN only

- Full scale analog output with zero setting and PLC correction of analog signal

## Part Number/Price

Part #	Description	Est. Weight	Price
170470	SCT-40 with Analog Output	1 lb	\$735.00
170471	SCT-40 with DeviceNet	1 lb	\$980.00
170472	SCT-40 with Profibus	1 lb	\$980.00
170473	SCT-40 with EtherNet/IP	1 lb	\$1,025.00
170474	SCT-40 with Ethernet TCP/IP	1 lb	\$975.00
170475	SCT-40 with Modbus TCP	1 lb	\$1,025.00
170476	SCT-40 with Profinet I/O	1 lb	\$1,025.00
131128	Installation manual	1 lb	\$25.00

*EtherNet/IP and Modbus output changed to Dual Port in 2019*

## Options/Accessories

Part #	Description	Est. Weight	Price
88792	12VDC 1.2A DIN rail mount power supply	1 lb	\$140.00
119244	24VDC 1.3A DIN rail mount power supply.	1 lb	\$160.00

## Specifications

### Power:

Input: 12 to 24 VDC

### Power Consumption:

5W

### Excitation Voltage:

5 VDC, 240 mA, 16 x 350 ohm load cells

### Analog Signal Input Range:

+/-39 mV

### Analog Signal Sensitivity:

0.3 µV/graduation minimum  
1.0 µV/graduation recommended

### A/D Sample Rate:

600 Hz

### Resolution:

Internal: 16,000,000 counts  
Display: 999,999

### System linearity:

± 0.01% full scale

### Digital I/O:

3 inputs 5 to 24 VDC, 5 outputs, 115 VAC/150 mA

### Communication Ports

RS-232 transmit only, or RS-485 half duplex  
Supports up to 115,200 bps

### Analog Output (SCT-40AN only):

Opto isolated, 16 bit  
0-20 mA, 4-20 mA (max 300 ohm)  
0-10 VDC, 0-5 VDC (min 10,000 ohm)

### Display:

Backlit graphic LCD, transmissive  
128 x 64 pixel resolution, 60 x 32 mm visible area

### Keys/Buttons:

Five-key tactile keypad  
Test, Zero, Tare, Print Menu, Escape, Left and Up,  
Navigator, Enter

### Dimensions:

(L x W x H)  
5.82 x 3.62 x 2.36 in  
(148 x 92 x 60 mm)

### Temperature & Humidity:

Operating: -4 °F to 140 °F (-20 °C to 60 °C)  
Humidity: 85% non-condensing

### Rating/Material:

DIN rail mount: NEMA Type 1

### Weight:

1 lb (0.5 kg)

### Warranty:

One-year limited

### Approvals:

cULus Recognized



## Standard Features

- High resolution design
- Used in high precision testing, troubleshooting and calibrating digital weight indicators
- Switchable offset
- Painted die-cast enclosure

## Specifications

### Vernier:

Two ranges; one is equal to the sum of the 0.05 mV/V switch and the 0 to 0.5 mV/V switch. The other is the sum of the 0.5 mV/V, 0.1 mV/V and 0.01 mV/V switches.

### Load Impedance:

Three settings:  
 X0.5: 700 ohm  
 X1: 350 ohm (one standard load cell)  
 X4: 87.5 ohm (four load cell platform)

### Linearity:

± 0.01% + 1µV

### Connectors:

Low Thermal Electronics, Type 2758 precision gold plated binding posts, standard banana jacks or 14 AWG wire

### Temperature Coefficient:

5 ppm/°C

### Zero Offset:

± 0.0005 mV/V

### Output Range:

0 to 3 mV/V in 0.01 mV/V steps

### LED Annunciators:

EXC +  
 EXC -  
 Offset ON  
 0.5 mV/V  
 0.1 mV/V

### Warranty:

One-year limited

## Part Number/Price

Part #	Description	Price
157323	Ranger 7 high resolution calibration simulator	\$995.00

## Options/Accessories

Part #	Description	Price
21116	Cable (4 ft) with banana plugs	\$68.00