

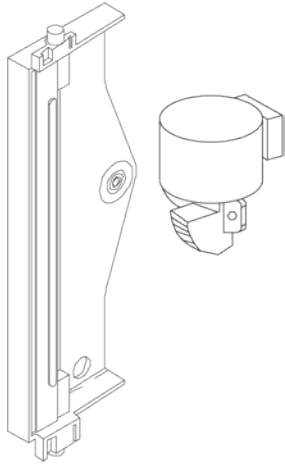
Printers / Keyboards

TABLE OF CONTENTS

TICKET PRINTERS	240
<i>Replacement Print Heads</i>	
BAR CODE LABEL PRINTERS	241
<i>Replacement Print Heads</i>	
TAPE AND TICKET PRINTER IMPACT RIBBONS	242
HONEYWELL	243
<i>Label Printers</i>	
HONEYWELL I-4206/I-4208/I-4308/I-4212/I-4212E	244
<i>Label Printers</i>	
EPSON®	245
OKIDATA	247
TICKETPRESS®	248
<i>Ticket Printer</i>	
RICE LAKE SP2200 TICKET PRINTER	250
<i>Base Assembly</i>	
RICE LAKE SP2200 TICKET PRINTER	252
<i>Mechanism Assembly</i>	
RICE LAKE SP2200 TICKET PRINTER	253
<i>Idler, Clutch, Sensor Assembly</i>	
RICE LAKE SP2200 TICKET PRINTER	254
<i>Paper Drive Assembly</i>	
RICE LAKE SP2200 TICKET PRINTER	255
<i>Print Head Assembly</i>	
RICE LAKE SP2200 TICKET PRINTER	256
<i>Switch Assembly</i>	
RICE LAKE	257
RICE LAKE SURVIVOR SST3®	259
STAR®	261
ZEBRA®	263

Ticket Printers

Replacement Print Heads



Part Number/Price

Part#	Description	Price
Epson®		
29535	TM290, TM-295	Consult
68726	TMU590 print mechanism	Consult
116659	TM-U590 printhead	Consult
118730	TM-U220 printhead	Consult
Rice Lake		
35347	SP2200	Consult
130510	Ticketpress	Consult
Star®		
72513	SP298	Consult

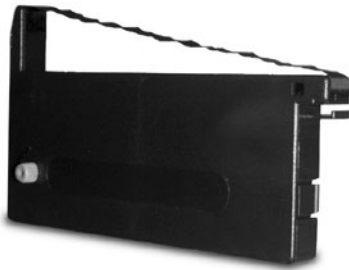
Bar Code Label Printers

Replacement Print Heads

Part Number/Price

Part#	Description	Price
Honeywell		
112517	E-4205e (203 dpi)	Consult
53939	I-Class (203 dpi)	Consult
131153	I-Class I-4212e Mark II (203 dpi)	Consult
210807	M-Class M-4210 (203 dpi)	Consult
96957	H-4212, (203 dpi)	Consult
103368	M-Class M-4206 (203 dpi)	Consult
Rice Lake		
107532	2 in printhead, RL-22DT	Consult
107531	4 in printhead, RL-42DT/TT	Consult
Star Consult Factory		
Zebra® (Eltron®)		
53034	LP2722/2622	Consult
78998	LP-2824, LP-2824 plus	Consult
78999	LP-2844	Consult
79000	TLP-2844	Consult
95375	S4M, 203061	Consult
111091	GK-420D (direct thermal)	Consult
161470	Printhead GK GX420T (203 dpi)	Consult
Godex		
150743	DT4	Consult
150746	G500	Consult

Tape and Ticket Printer Impact Ribbons



Don't see a ribbon or paper roll you need? Send us the manufacturer name and model of the printer and we will quickly email you a quotation.

Part Number/Price

Part#	Description	Price
Rice Lake		
20308	Black ink cartridge, SP2200 and SP2000	Consult
128031	Ink cartridge, Ticketpress	Consult
IDS-150A & IDS-152, Control logic 1200 CLC250		
20440	Purple ink ribbon	Consult
IDS-160, Control Logic 260		
20447	Purple ink ribbon	Consult
Epson® TM-U295		
29584	Purple ink cartridge	Consult
29583	Black ink cartridge	Consult
Epson® TM-U200, TM-U220 and TM-300		
31296	Purple ink cartridge	Consult
66499	Red/black ink cartridge	Consult
Epson® TM-U590		
68525	Purple ink cartridge	Consult
104145	Black ink cartridge	Consult
Citizen CBM-750		
41902	Red/black ribbon cartridge	Consult
Star		
69921	SP298, SP2320, SP2520, SP200, SP512, SP542 purple	Consult
20447	DP8340 purple	Consult
69920	SP300 Series purple	Consult
103728	SP712, 742 black	Consult
Hecon 543/DH4000/Toledo 8806A		
20447	Hecon 543 purple	Consult
20428	DH4000/Toledo 8806A purple (no guide)	Consult
Okidata Model 184 and 186		
20664	Black cartridge	Consult
Okidata Model 420		
132249	Ribbon black	Consult

Part Number/Price

Part#	Description	Synonym	Price
E-4203			
64802	Power supply auto-ranging 120-240V	DP050-20501-01	Consult
64792	Present sensor	OPT78-2313-01	Consult
E-4205e Mark II			
112517	Printhead	PHD20-2267-01	Consult
M-Class			
34911	E-ring 3/8 truarc 5133-37	10-0563-01	Consult
53923	Post, idler	DP012-2905-01	Consult
53929	Clutch assembly, ribbon rewind	15-2776-01	Consult
53936	Gear, spur, delrin, 24 teeth (same as below)	17-2860-01	Consult
53934	Bearing, flanged, 375IDx, 0750D (see below)	17-3028-01	Consult
210807	Printhead, 203 dpi, M-4210 only	DP020-2260-01	Consult
103368	M-4206		Consult
85201	Media sensor assembly		Consult
53948	Cable, flex, media sensor	DP032-2440-01	Consult
M-Class Mark II			
53923	Post, idler	DP012-2905-01	Consult
53929	Clutch assembly, ribbon rewind	DP015-2776-21	Consult
53934	Bearing, flanged .375 ID x .875 OD	DP017-3028-01	Consult
210807	Printhead, M-4206/M-4210	DP020-2260-01	Consult
53948	Cable, flex media sensor	DP032-2440-01	Consult
104972	Power supply	DP051-2357-00	Consult
104973	Front panel	DP051-2358-00	Consult
104975	Main board, M-4206, 4 MB	DP078-2720-01	Consult
104977	Graphics display M-4206, M-4210	DP078-2721-01	Consult
104976	Main board, M-4210, M-4308	DP078-2722-01	Consult
107162	Platen assembly	DP015-2847-01	Consult
53936	Gear spur delrin 24 teeth	DP017-2860-01	Consult
H-Class			
96957	H-4212 Printhead 203 dpi		Consult
Data MF2te			
117438	US Plug		Consult
117440	Swivel Mount		Consult
117441	Cord Right Angle 6 ft		Consult
117442	Cable Serial Coiled		Consult
117443	Battery		Consult
118455	Cable fuse box		Consult
118456	Cable USB		Consult



E-4203



E-4205e Mark II



M-Class



M-Class Mark II



Printers/Keyboards

HONEYWELL I-4206/I-4208/I-4308/I-4212/I-4212E

Label Printers



Part Number/Price

Part#	Description	Synonym	Price
53930	1.5 in Media hub assembly (I-4308 and I-4212)	15-2799-01	Consult
53934	Bearing, flanged, .375 ID x .875 OD	17-2310-01	Consult
53945	Cable assembly, ph data	32-2417-01	Consult
53944	Cable assembly, ph power	32-2416-01	Consult
72176	Cable, flex, front panel, long cable	32-2439-01	Consult
53948	Cable, flex, media sensor	32-2440-01	Consult
53929	Clutch assembly, ribbon	15-2776-21	Consult
67797	Cover, ribbon spool	12-2943-21	Consult
97367	Block, platen mounting	DP012-2894-01	Consult
34911	E-ring, 3/8 in truarc 5133-37	10-0563-01	Consult
53935	Gear spur delrin, 24 pitch, 48 teeth kit	DPR78-2772-01	Consult
53936	Gear spur delrin, 24 teeth	17-2860-01	Consult
53952	LCD module, char. 2 x 20 (control panel)	45-2013-01	Consult
131179	Main board (I-4212e) Mark II	DPR51-2480-00	Consult
53940	Media sensor assembly	24-2504-01	Consult
78291	Peel mechanism	DPT78-2444-01	Consult
53924	Platen roller assembly	15-2761-01	Consult
53923	Post idler	12-2905-01	Consult
53956	Power supply, CCA (I-4206/4208, I-4308, I-4212)	51-2300-00	Consult
53939	Print head, 203 dpi, dual connector (I-4206/4208, I-4212)	20-2181-01	Consult
131153	Print head, 203 dpi I-4212e Mark II	PDD20-2278-01	Consult
67797	Cover, ribbon spool	12-2943-01	Consult
53938	Spring, torsion (I-4308, I-4212)	17-2895-01	Consult
53941	Stepper motor assembly	DP078-2773-01 24-2505-01	Consult
53925	Take-up hub assembly	15-2764-01	Consult
53937	Timing belt	17-2879-01	Consult
85508	Brass drive roller gear, 14-tooth	12-3356-01	Consult
85510	Peel drive gear-platen	16-2890-01	Consult
112320	Media hub, 3 in adapter	DP016-2627-01	Consult
53920	3 in/1.5 in media supply hub	DPR78-2330-01	Consult
131179	Motherboard, I-4212e		Consult
131153	Printhead I-4212e (203 dpi)		Consult

Part Number/Price

Part#	Description	Price
TM-295/TM-U295/TM-29011 Ticket Printer		
29535	Print head TM-295, TM-290 II	Consult
23112	Power supply	Consult
29537	Sensor, TOF assembly	Consult
29538	Sensor, O assembly	Consult
35860	Motor assembly, paper drive	Consult
35861	Board, switch assembly	Consult
35862	CPU board, TM-295	Consult
45673	Fuse, 2 amp, 125V (ceramic)	Consult
162936	Keyboard overlay TM-U295	Consult
29584	Ribbon cartridge, purple	Consult
29583	Ribbon cartridge, black	Consult
34344	Operating manual, TM-295	Consult
TM-U220 Tape Printer		
23112	Power supply	Consult
36032	Mechanism assembly	Consult
36027	Interface, RS-232	Consult
31296	Ribbon cartridge, purple	Consult
66499	Ribbon cartridge, red/black	Consult
69916	Paper roll, 3 in x 150 ft, 1-ply, bond 1/2 in core 3 in O.D.	Consult
35667	Operating manual	Consult
118730	Printhead	Consult
118731	Overlay switch panel	Consult
118732	Switch paddle rocker	Consult
TM-U590 Ticket Printer		
68726	Print mechanism assembly	Consult
68525	Purple ink cartridge	Consult
104145	Black ink cartridge	Consult
23112	Power supply	Consult
45673	F2 2 amp pica fuse	Consult
36027	Interface card RS-232	Consult
116659	Printhead	Consult
118735	Circuit board	Consult
118734	Power switch	Consult
118736	Hinged rear ribbon cover	Consult
118733	Keypad overlay	Consult
165456	Spring slider	Consult



TM-295



TM-U220



TM-U590

GoDex



Part Number/Price

Part#	Description	Price
DT4		
150743	Printhead	Consult
162657	Platen Cover Right	Consult
162658	Platen Cover Left	Consult
G500		
150746	Printhead	Consult

Part Number/Price

Part#	Description	Price
184 & 186 Microline Printer		
34281	RS-232 board, input	Consult
20664	Ribbon cartridge, black	Consult
21208	Scale veil	Consult
320 & 420 Microline Printer		
20664	Replacement ribbon, black	Consult
22692	Gear ribbon drive assembly, 320	Consult
22703	Gear idler in feed, 51219001, 320	Consult
320/321/390/420 RS-232 Boards		
20239	RS-232, Rev. H0 and lower	Consult



184 & 186



320 & 420

TicketPress®

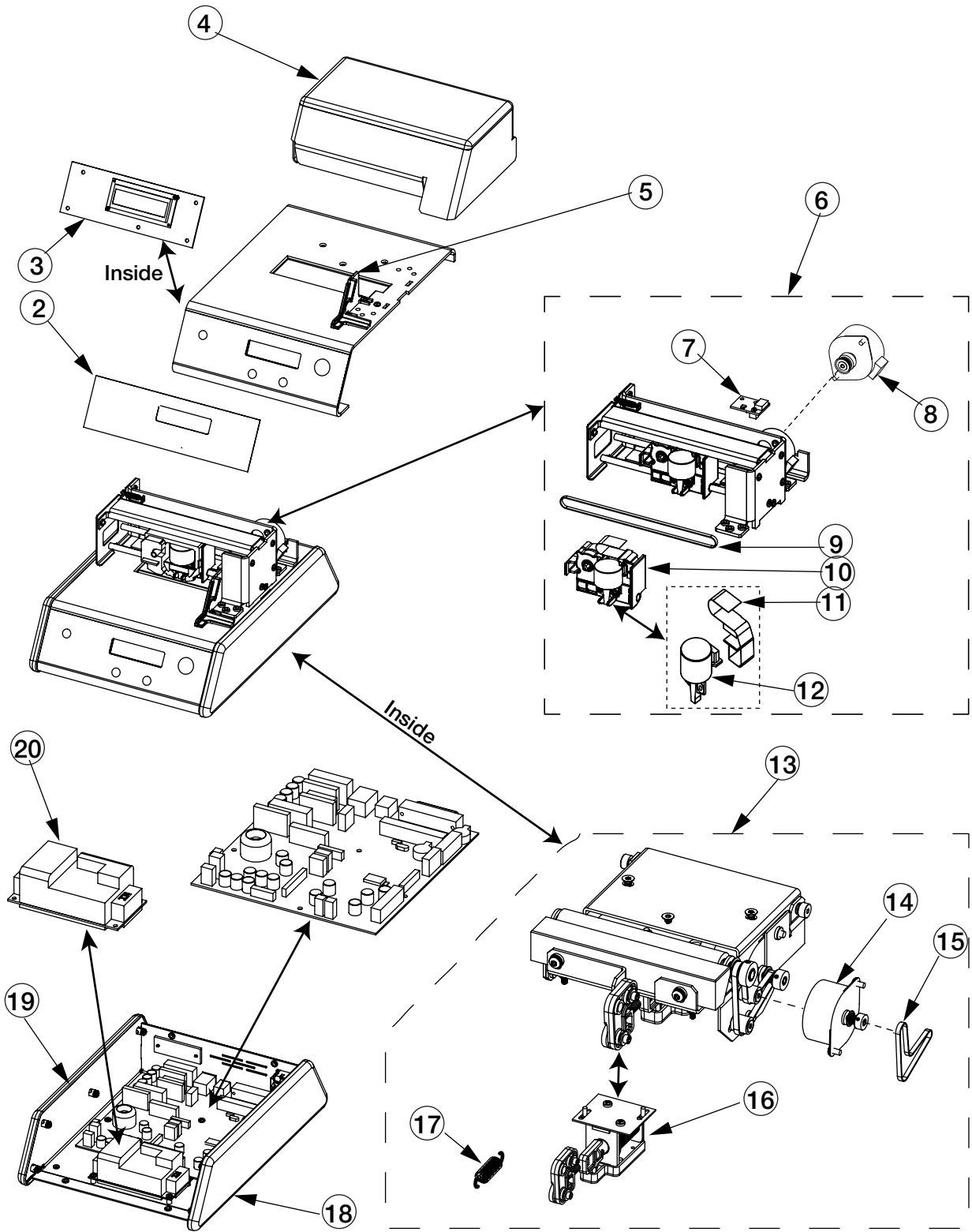
Ticket Printer



Discontinued

Part Number/Price

Ref #	Part#	Description	Price
Accessories			
	128030	RS-422 interface, TicketPress	Consult
	128031	Ribbon, TicketPress, black	Consult
Major Components			
2	130514	Overlay, control panel, TP	Consult
5	130518	Paper guide, TP	Consult
8	130509	Carriage motor, TP	Consult
9	130516	Belt, carriage drive, TP	Consult
11	130515	Cable, printhead, TP	Consult
12	130510	Printhead, TP	Consult
14	130506	Paper motor, TP	Consult
15	130513	Belt, paper drive, TP	Consult
16	130508	Paper drive solenoid, TP	Consult
17	130517	Spring extension, TP	Consult
18	130511	End cap right, TP	Consult
19	130512	End cap left, TP	Consult
20	130507	Power supply 24V, TP	Consult
	130519	1.6A fuse slow 250 VAC, TP	Consult
	130520	Battery, main board memory backup, TP	Consult
<i>Major Assemblies - Some of these are offered for repair convenience, and embody one or more high value components from Service Component list</i>			
3	130527	Control panel, TP	Consult
4	130523	Cowl, TP	Consult
6	130521	Print mechanism, TP	Consult
7	130526	Home paper sensor, TP	Consult
10	130522	Carriage assembly, TP	Consult
13	130524	Paper drive assembly, TP	Consult



Printers/Keyboards

Rice Lake SP2200 Ticket Printer

Base Assembly



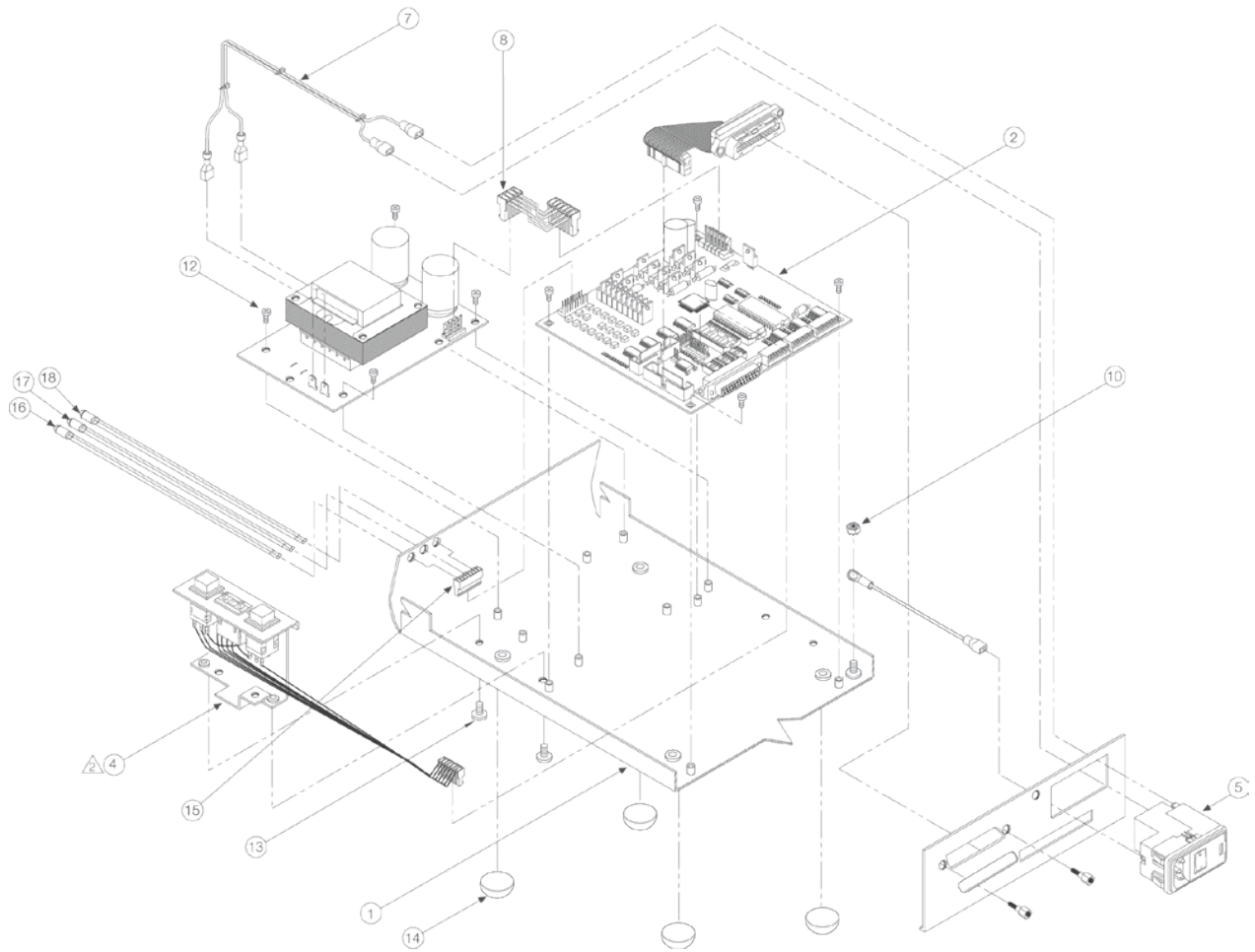
Part Number/Price

Ref#	Part#	Description	Price
	40890	Filter assembly, line	Consult
1	35339	Enclosure, base (limited stock)	Consult
2	35361	Board, CPU assembly main	Consult
Components of Part #35361			
	16347	IC, 20 mA transmitter, HCPL-4100, 8-pin, U5 (option)	Consult
	16348	IC, 20 mA receiver, HCPL-4200, 8-pin, U6 (option)	Consult
	16210	IC, S-ram, time and date, U9 (option)	Consult
	23171	EPROM, Rev. 1.2	Consult
	36014	Fuse, Fast act 2A subminiature	Consult
Components of Part #35362			
	38851	Fuse, Fast act 5A subminiature (PSFI)	Consult
4	16100	Mount, switch blank	Consult
5	34192	Line filter, RFI 6AMP dual fuse (AC)	Consult
Components of Part #34192			
	16451	Fuse, Slo-Blo, 3/4 amp (230 VAC)	Consult
	16462	Fuse, Slo-Blo, 1.25A 3AG (115 VAC)	Consult
7	34187	Cable assembly, power input to power supply 16AWG	Consult
8	34188	Cable assembly, power supply to CPU board jumper	Consult
10	14626	Nut, Kep 8-32 NC	Consult
12	14831	Screw, MACH 4-40 NC x 5/16	Consult
13	14859	Screw, MACH 8-32 NC x 5/16	Consult
14	26408	Foot, self-adhesive, 3/4 in diameter	Consult
15	15839	Conn, 8-position MAS-CON end	Consult
16	34199	LED, panel mount .250 dia. yellow with 6 in leads	Consult
17	34197	LED, panel mount .250 dia. red with 6 in leads	Consult
18	34198	LED, panel mount .250 dia. green with 6 in leads	Consult
	16096	Paper guide	Consult

(See Diagram SP2200-A)

Rice Lake SP2200 Ticket Printer

Base Assembly



SP2200-A

Rice Lake SP2200 Ticket Printer

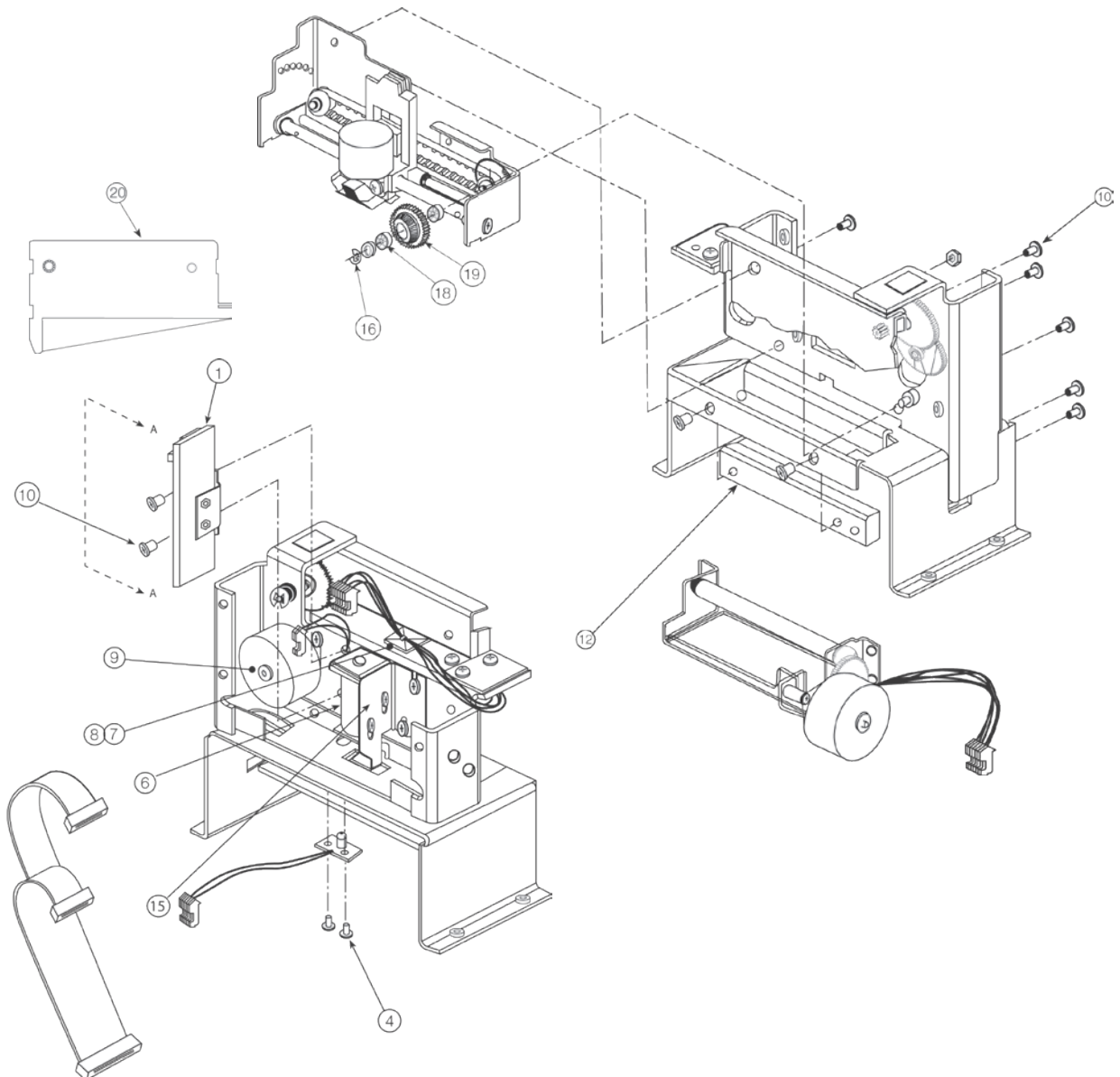
Mechanism Assembly



Part Number/Price

Ref#	Part#	Description	Price
1	34043	Board assembly, head	Consult
4	14822	Screw, MACH 4-40 NC x 1/4	Consult
6	34176	Linkage assembly, solenoid	Consult
7	15650	Mount, cable tie 3/4 in square nylon	Consult
8	15631	Cable tie, 3 in nylon	Consult
9	34169	Motor assembly, head drive	Consult
10	14859	Screw, MACH 8-32 NC x 5/16	Consult
12	33116	Platen	Consult
15	33113	Solenoid bracket	Consult
16	20852	Ring, retaining	Consult
18	20281	Bearing, ball	Consult
19	33805	Pulley, gear head drive	Consult
20	20308	Ribbon cartridge, black	Consult

(See Diagram SP2200-B)



Printers/Keyboards

SP2200-B

Discontinued

PRINTERS/KEYBOARDS

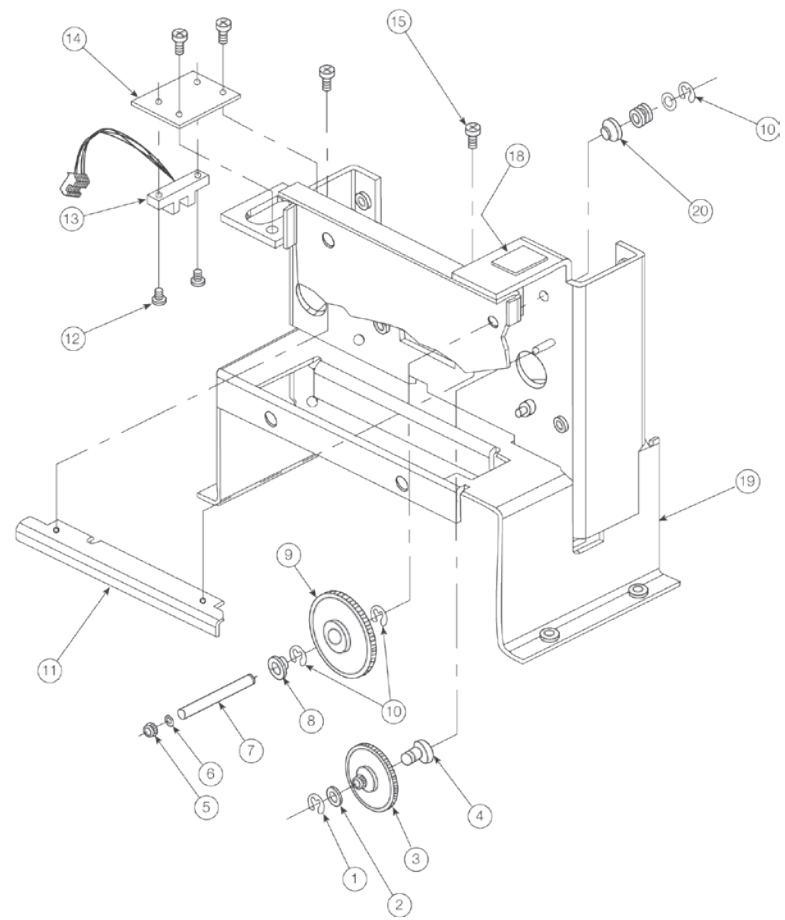
Rice Lake SP2200 Ticket Printer

Idler, Clutch, Sensor Assembly

Part Number/Price

Ref#	Part#	Description	Price
1	20852	Ring, retaining	Consult
2	20839	Spacer, retainer	Consult
3	33808	Idler gear, ribbon	Consult
4	20827	Post, idler-ribbon	Consult
5	20685	Gear, ribbon drive	Consult
6	20817	Spacer, bearing	Consult
7	20669	Shaft, ribbon drive axle	Consult
8	20854	Bushing, nyliner	Consult
9	34175	Gear assembly, clutch	Consult
10	20851	Retaining ring, ribbon drive	Consult
11	20825	Guide, carriage track	Consult
12	14822	Screw, MACH 4-40 NC x 1/4	Consult
13	36213	Sensor assembly, carriage	Consult
14	20273	Mount, switch	Consult
15	14839	Screw, MACH 6-32 NC x 1/4	Consult
18	20853	Gasket, neoprene 1/8 x 1/2	Consult
19	33110	Assembly, mechanism frame	Consult
20	34095	Bushing, nyliner	Consult

(See Diagram SP2200-C)



SP2200-C

Printers/Keyboards

Rice Lake SP2200 Ticket Printer

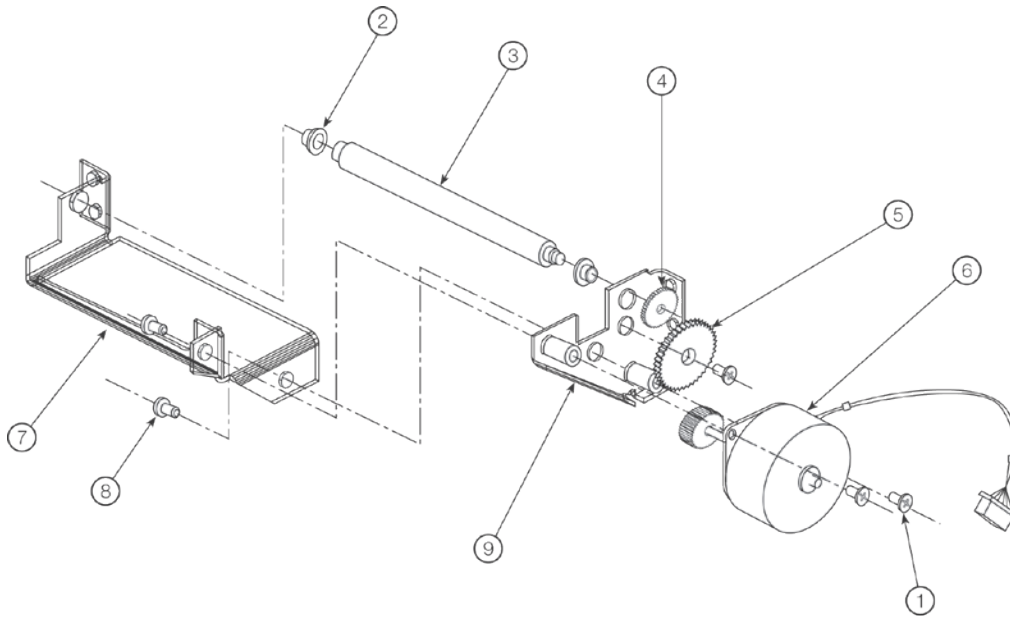
Paper Drive Assembly



Part Number/Price

Ref#	Part#	Description	Price
1	14845	Screw, MACH 6-32 NC x 3/8	Consult
2	20285	Bushing, nylon	Consult
3	33504	Roller assembly, paper drive rubber	Consult
4	20286	Gear, paper drive	Consult
5	33806	Gear, paper, idler	Consult
6	34168	Motor assembly, paper drive	Consult
7	33115	Bracket, roller left side	Consult
8	14839	Screw, MACH 6-32 NC x 1/4	Consult
9	33114	Bracket, motor mount right side	Consult

(See Diagram SP2200-D)



SP2200-D

Discontinued

PRINTERS/KEYBOARDS

Rice Lake SP2200 Ticket Printer

Print Head Assembly

Part Number/Price

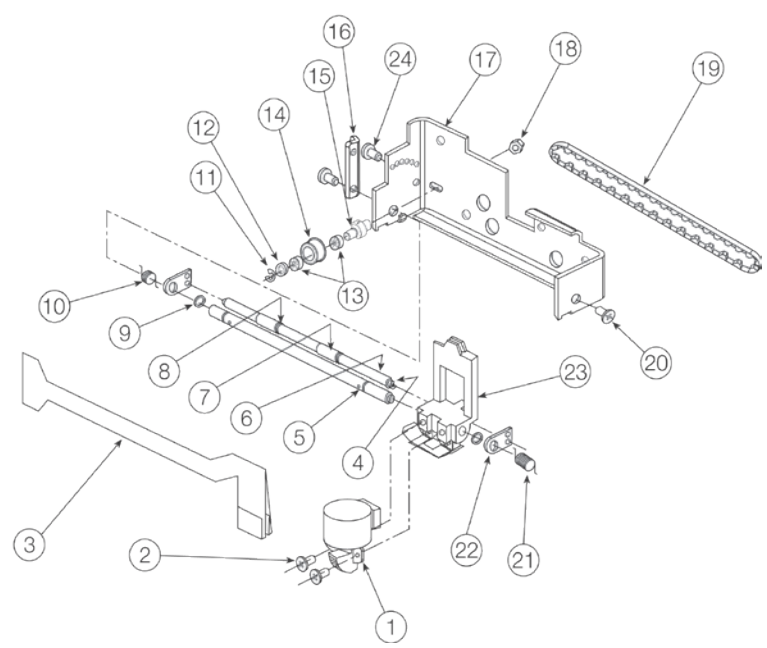
Ref#	Part#	Description	Price
1	35347	Print head, 350-M12 9-pin	Consult
2	14822	Screw, MACH 4-40 NC x 1/4	Consult
3	33850	Cable, print head 2 ft x 6 ft flexible	Consult
4	20850	Ring, retaining	Consult
5	20828	Shaft, carriage track	Consult
6	20829	Shaft-clamp	Consult
7	20830	Clamp, roller	Consult
8	20292	Ring, retaining	Consult
9	20293	Ring, retaining .25 Ext	Consult
10	20283	Spring, LH clamp	Consult
11	20294	Ring, retaining	Consult
12	20295	Spacer	Consult
13	20279	Bearing, ball	Consult
14	20280	Pulley, idler	Consult
15	33501	Post, left belt tensioner	Consult
16	20282	Lever, head adjust	Consult
17	20822	Bracket, carriage assembly	Consult
18	14625	Nut, lock 6-32 NC hex	Consult
19	20298	Belt, timing	Consult
20	14845	Screw, MACH 6-32 NC x 3/8	Consult
21	20284	Spring, RH clamp	Consult
22	20831	Clamp, linkage	Consult
23	33497	Assembly, print head carriage and ribbon guide	Consult
24	14832	Screw, MACH 4-40 NC x 3/8	Consult



Note: Early production units of the SP2200 use a carriage assembly bracket with a separate head drive gear post for the drive pulley. Use the following part numbers for these units:

20277	Gear post, head drive	Consult
-------	-----------------------	---------

(See Diagram SP2200-E)



SP2200-E

Printers/Keyboards

Rice Lake SP2200 Ticket Printer

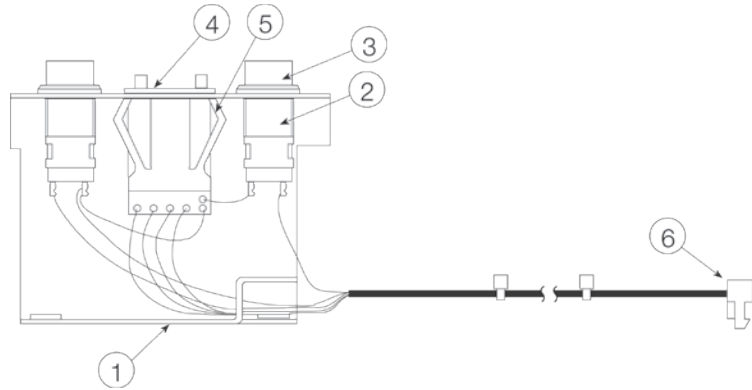
Switch Assembly



Part Number/Price

Ref#	Part#	Description	Price
	35231	Switch module assembly	Consult
1	15942	Switch mount bracket	Consult
2	15938	Push button switch	Consult
3	15939	Switch lens	Consult
4	15940	Pushwheel switch	Consult
5	15941	Side support plates	Consult
6	15707	Connector, 7-position green	Consult
	16210	T&D sram chip	Consult

(See Diagram SP2200-F)



SP2200-F

Part Number/Price

Part#	Description	Price
RL-22DT		
107532	Printhead	Consult
111085	Power supply	Consult
115477	Label roller	Consult
125456	Left latch hook, arrow faces to right	Consult
125457	Right latch hook, arrow faces to left	Consult
132897	Platen Cover Right RL-22DT	Consult
132896	Platen Cover Left RL-22DT	Consult
RL-42DT/RL-42TT		
107531	Printhead	Consult
111085	Power supply	Consult
115478	Label roller RL-42DT	Consult
115479	Label roller RL-42TT	Consult
125213	Left latch hook, arrow faces to right	Consult
125214	Right latch hook, arrow faces to left	Consult



RL-22DT



RL-42DT



RL-42TT

Rice Lake



Part Number/Price

Part#	Description	Price
Guardian™ Enclosure		
99109	Mount plate for LP2844	Consult
79527	Mount plate for TLP2844	Consult
110508	Mount plate RL-42DT	Consult
110509	Mount plate, RL-42TT	Consult
SURVIVOR™ SST2™ Stainless Steel Thermal Label Printer		
53930	1.5 in media hub assembly	Consult
53934	Flanged .375 in ID x .875 in OD bearing	Consult
72238	Motor control cable assembly	Consult
72190	PH power cable assembly	Consult
72176	Front panel flex cable	Consult
72177	Media sensor flex cable	Consult
53929	Ribbon clutch assembly	Consult
34911	E-ring 3/8 Truarc 5133-37	Consult
53935	24 pitch 48 teeth gear spur Delrin	Consult
53936	Gear spur Delrin, 24 teeth	Consult
53940	Media sensor assembly	Consult
53956	Power Supply	Consult
78291	Peel mechanism	Consult
53924	Platen assembly	Consult
53923	Post idler	Consult
53939	Printhead 203 dpi dual connector	Consult
45346	Communications plate	Consult
45490	Gasket for communications cover plate (requires 2)	Consult
67797	Cover ribbon spool	Consult
53938	Torsion spring	Consult
53941	Stepper motor assembly	Consult
53925	Take-up hub assembly	Consult
53937	Timing belt	Consult
72053	Cover plate	Consult
74705	Base gasket	Consult
74706	Cover plate gasket	Consult
74810	Shroud gasket	Consult
Components of Peel Mechanism (special order)		Consult
78291	Peel mechanism	Consult
96777	Peel mechanism ledge	Consult
65687	Rivets	Factory Installed
20875	Lid Support	Consult

Rice Lake Survivor SST3®

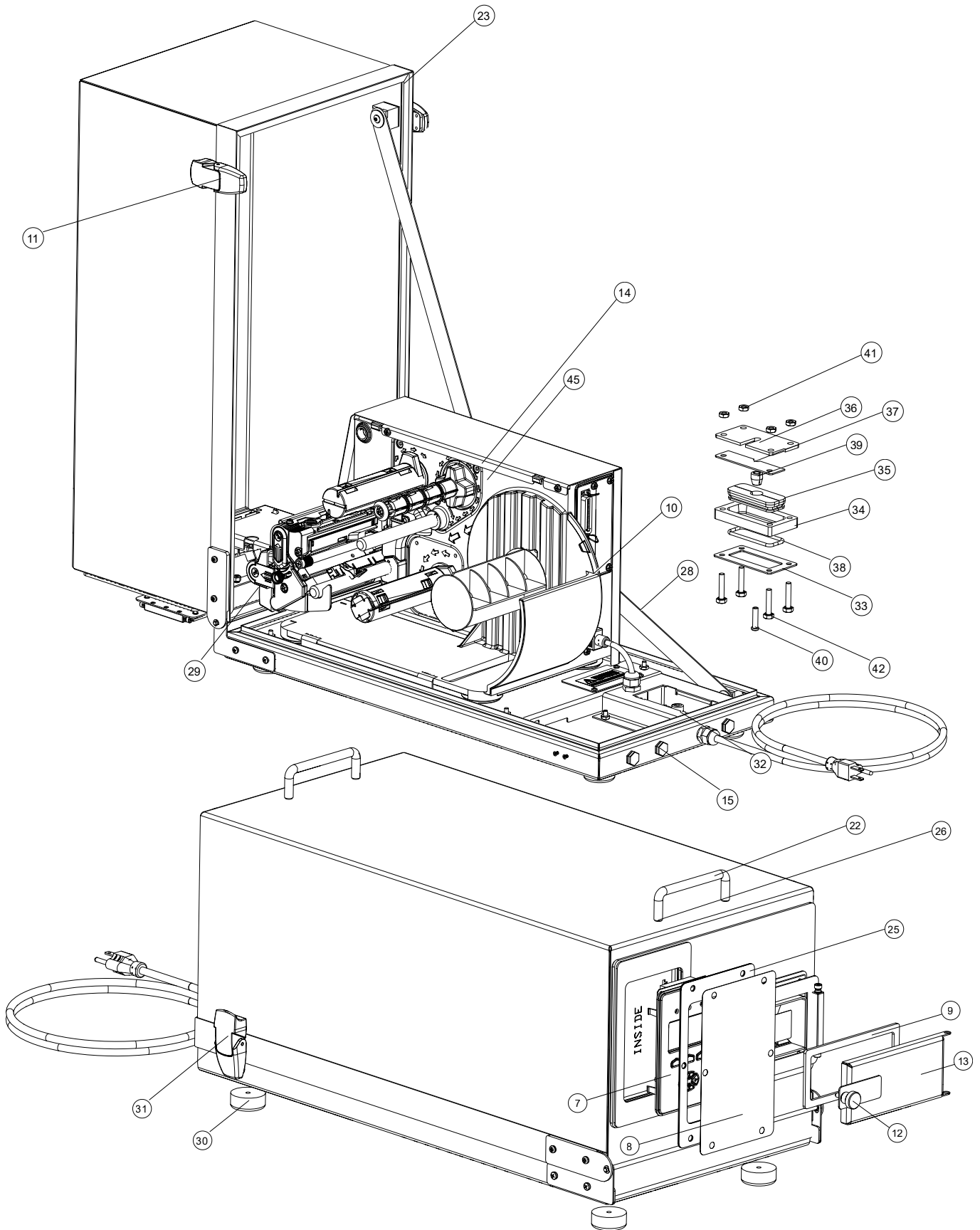
Part Number/Price

Ref#	Part#	Description	Price
	104976	Board, main 8 MB flash	Consult
	53936	Gear, spur 24t	Consult
	53923	Idler post	Consult
	104972	Power supply board	Consult
	210807	Printhead, 203 dpi	Consult
	107162	Upper platen roller kit	Consult
	198713	SST3 replacement display retrofit kit	Consult
8	108868	Display cover	Consult
9	108717	Gasket, label presentation	Consult
10	108891	Printer, M-4210, Mark II	Consult
11	108894	Gasket, latch mount	Consult
12	108718	Front knob	Consult
13	108714	Cover, Label Presentation Chute	Consult
14	109636	Ribbon cable, 26 in control panel	Consult
15	88733	Breather vent	Consult
	111873	Fuse, 230V heater	Consult
17	113733	Anti-reflective patch	Consult
	113365	Cover, antennae	Consult
	113766	Bracket, wireless antennae	Consult
	113767	Plate, base wireless	Consult
22	45491	Handle	Consult
23	110625	Enclosure gasket	Consult
	105382	Power cord	Consult
25	109190	Display gasket	Consult
26	110543	Handle gasket	Consult
28	109890	Support arm	Consult
29	108718	Front knob	Consult
30	109535	Foot	Consult
31	108939	Latch and keeper set	Consult
32	109168	Reducing gland	Consult
33	110572	Communications gasket	Consult
34	110573	Communications port plate	Consult
35	110574	Communications insert	Consult
36	110575	Communications port split-seal	Consult
37	110694	Communications port split-seal, half	Consult
38	110695	O-ring	Consult
39	110771	Reducing gland	Consult
40	19538	Black post	Consult
41	14645	Jam nut, 1/4-20 NC	Consult
42	112347	Cap screw 1/4-20 x 1 1/4 in	Consult
	36966	Heater, 120VAC	Consult
	114835	Heater, 230VAC	Consult
45	158800	Screw for center pivot joint	Consult
	171252	Label Presentation Bexel and Assembly	Consult

Note: Honeywell M-4210 Mark II Parts drawing available at ricelake.com
(See Diagram SST3)



Rice Lake Survivor SST3®



Part Number/Price

Part#	Description	Price
SP298 Dot Matrix Printer		
69921	Ink ribbon, purple	Consult
69903	Power supply	Consult
72309	Power supply, 12V vehicle lighter plug	Consult
72513	Print head	Consult
SP2320/SP2520/SP512 Dot Matrix Tape Printer		
69921	Ink ribbon, purple	Consult
69903	Power supply, SP 2320 and SP 2520	Consult
72309	Power supply, 12V, SV 2320 and SP 2520, vehicle lighter plug	Consult
SP700/SP712/SP742 Dot Matrix Printer		
103728	Ink ribbon, black	Consult
DP8340 Dot Matrix Tape Printer		
70682	Power supply	Consult
20447	Ribbon cartridge, purple	Consult



SP298



SP2320/SP2520/SP512



SP700



DP8340



TSP654



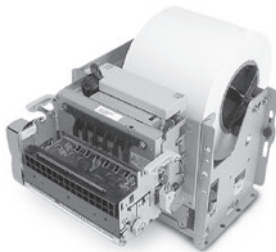
TSP743



SP349



NP211



TUP900

Part Number/Price

Part#	Description	Price
TS654/TSP743 Direct Thermal/Thermal Transfer Printer		
69903	Power supply	Consult
71355	Parallel option card	Consult
72309	Power supply, 12V, vehicle lighter plug	Consult
SP349/SP312 Dot Matrix Tape Printer		
69920	Ink ribbon, purple	Consult
70247	20 mA output	Consult
NP-211/NP-2511/NP-3511 Thermal Kiosk Printer		
69903	Power supply, NP-2511, NP-3511	Consult
TUP900 Direct Thermal Kiosk Mechanism		
69903	Power supply	Consult

Part Number/Price

Part#	Description	Price
(Eltron®) LP-2824, LP-2844, TLP-2844		
78998	Print head, LP2824 2 in	Consult
86938	Power supply, 100V-24 0V (C7)	Consult
78999	Print head assembly - 4 in LP	Consult
79000	Print head assembly - 4 in TLP	Consult
GK I GX Series		
111091	Printhead 203 dpi, direct thermal	Consult
115480	Power supply	Consult
161470	GK420+ GX420+ Printhead thermal transfer 203 dpi	Consult



LP-2824



GK-TT

GK-DT

