

COMPRESSION DISK

Page 234 1200, ALLOY STEEL/ALUMINUM



Resistance to extraneous forces allows for high fatigue life, less stringent mounting alignment and lesser possibility of reading errors. This design permits smaller, portable and compact testing machines. Capacities range from 1,000 lb to 100,000 lb. Complete with 10 ft of load cell cable.

Page 235 3200, STAINLESS STEEL



Designed specifically for difficult applications in harsh environments, these units incorporate welded stainless steel diaphragms to resist corrosion and seal against moisture intrusion. These load cells provide high accuracy, resistance to off-center loads with minimum error, excellent temperature specifications and low height envelope for ease of installation. Capacities range from 5,000 lb to 100,000 lb. Complete with 20 ft of load cell cable.

TENSION/COMPRESSION

Page 236 SML, LOW HEIGHT



This low height load cell is designed for tension and compression measurement. It features an anodized aluminum construction for capacities ranging from 5 lb to 300 lb. It is also available in stainless steel for capacities ranging from 500 lb to 2,000 lb. Features 5 ft of load cell cable.

Page 237 WMC, STAINLESS STEEL, ROD END



Constructed of stainless steel, environmentally sealed and designed for tension or compression. Capacities range from 15,000 lb to 200,000 lb.

Page 238 WMC MINIATURE SEALED, STAINLESS STEEL



Constructed from stainless steel in capacities ranging from 5 lb to 10,000 lb. The extremely miniature envelope allows for a wide variety of weighing applications in tension or compression. Features 5 ft of cable.

1200 Series

Low-Profile Alloy Steel/Aluminum, Environmentally Sealed, IP67



Picture is a representation of model 1211

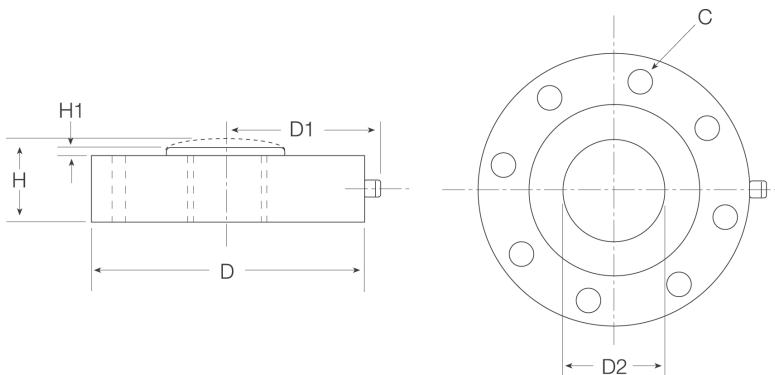
Order Information

Load Rating	Part #	Est. Weight	Price
Aluminum			
Model 1211			
1,000 lb	36132	4 lb	\$1,282.00
2,000 lb	36133	4 lb	\$1,282.00
Alloy Steel			
Model 1211			
5,000 lb	36134	5 lb	\$1,405.00
10,000 lb	36135	5 lb	\$1,405.00
Model 1221			
25,000 lb	36136	8 lb	\$1,563.00
50,000 lb	36137	8 lb	\$1,563.00
Model 1231			
100,000 lb	36138	22 lb	\$2,465.00

Consult factory for load cell bases

Dimensions

Rated Capacity	C	D	D1	D2	H	H1
lb/in						
1,000 to 10,000	0.28 dia 8 holes	4.12	2.63	1.34	1.37	0.12
25,000 to 50,000	0.34 dia 4 holes	4.75	2.95	1.57	1.75	0.12
100,000	0.47 dia 12 holes	7.50	4.32	3.12	2.25	0.25



Specifications

- Full Scale Output:**
1,000 to 2,000 lb: 2.0 mV/V
5,000 to 100,000 lb: 4.0 mV/V
- Bridge Resistance:**
350 ohm, nominal
- Material/Finish:**
1,000 to 2,000 lb: Aluminum
5,000 to 100,000 lb: Alloy steel
- Temperature:**
Operating:
0 °F to 150 °F (-18 °C to 65 °C)
- Seal Type:**
Environmentally sealed, IP67
- Safe Overload:**
150% full scale
- Rated Excitation:**
5 to 10 VDC (20 V maximum)
- Nonlinearity:**
0.05% full scale
- Hysteresis:**
0.02 to 0.04% full scale
- Insulation Resistance:**
5,000 megohm
- Cable Length:**
10 ft
- Cable Color Code:**
Red +Excitation
Black -Excitation
Green +Signal
White -Signal
- Warranty:**
Two-year limited

INTERFACE®



Picture is a representation of model 3211

Specifications

- Full Scale Output:**
4.0 mV/V
- Bridge Resistance:**
350 ohm nominal
- Material/Finish:**
Stainless steel
- Temperature:**
Operating:
0 °F to 150 °F (-18 °C to 65 °C)
- Seal Type:**
Hermetically sealed, IP66/68
- Safe Overload:**
150% full scale
- Rated Excitation:**
5 to 10 VDC (20 V maximum)
- Nonlinearity:**
0.05% full scale
- Hysteresis:**
0.04% full scale
- Insulation Resistance:**
5,000 megohm
- Cable Length:**
20 ft
- Cable Color Code:**
Red +Excitation
Black -Excitation
Green +Signal
White -Signal
- Warranty:**
Two-year limited

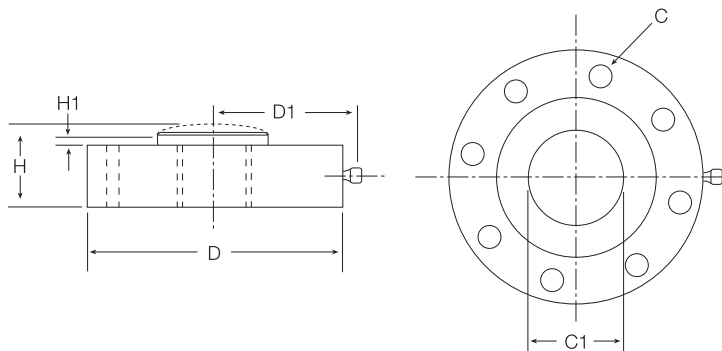
Order Information

Load Rating	Part #	Est. Weight	Price
Model 3211			
5,000 lb	36140	5 lb	\$1,600.00
10,000 lb	36141	5 lb	\$1,600.00
Model 3221			
25,000 lb	36142	8 lb	\$1,813.00
50,000 lb	36143	8 lb	\$1,813.00
Model 3231			
100,000 lb	36144	10 lb	\$3,090.00

Consult factory for load cell bases

Dimensions

Rated Capacity lb/in	C	C1	D	D1	H	H1
5,000 to 10,000	0.28 dia 8 holes	1.34	4.12	2.56	1.37	0.12
25,000 to 50,000	0.34 dia 4 holes	1.57	4.75	2.87	1.75	0.12
100,000	0.47 dia 12 holes	3.12	7.50	4.25	2.25	0.25



SML

Low-height, Aluminum / Stainless Steel



Picture is a representation of actual product

Order Information

Load Rating	Part #	Est. Weight	Price
5 lb	185097	1 lb	\$843.00
10 lb	185098	1 lb	\$843.00
25 lb	185099	1 lb	\$630.00
50 lb	185100	1 lb	\$630.00
100 lb	185101	1 lb	\$630.00
200 lb	185102	1 lb	\$630.00
300 lb	185103	1 lb	\$630.00
500 lb	185104	1 lb	\$630.00
1,000 lb	185105	1 lb	\$843.00
2,000 lb	185106	1 lb	\$843.00

Dimensions

Rated Capacity	A	B	C	D	E	F	G	H	I
lb/in									
5 to 10	1.80	0.52	0.73	0.90	10-32 UNF .20 deep	0.34	0.13	0.29	0.50
25 to 100	2.00	0.64	0.73	1.00	1/4-28 UNF .25 deep	0.46	0.13	0.38	0.50
200 to 1,000	2.12	0.89	0.98	1.06	3/8-24 UNF .38 deep	0.71	0.13	0.46	0.57
2,000	2.80	1.16	1.24	1.40	1/2-20 UNF .49 deep	1.00	0.13	0.75	0.77

Specifications

Full Scale Output:

2.0 mV/V

Bridge Resistance:

350 ohm nominal

Material/Finish:

5 to 300 lb: Aluminum

500 to 2,000 lb: Stainless steel

Temperature:

Operating:

-65 °F to 200 °F (-54 °C to 93 °C)

Safe Overload:

5 to 10 lb: 800%

25 to 2,000 lb: 150%

Rated Excitation:

15 VDC maximum

Nonlinearity:

5 to 300 lb: ± 0.05% full scale

500 to 1,000 lb: ± 0.10% full scale

2,000 lb: ± 0.20% full scale

Hysteresis:

5 to 300 lb: ± 0.05% full scale

500 to 1,000 lb: ± 0.10% full scale

2,000 lb: ± 0.20% full scale

Insulation Resistance:

> 5,000 megohm

Cable Length:

5 ft

Cable Color Code:

Red +Excitation

Black -Excitation

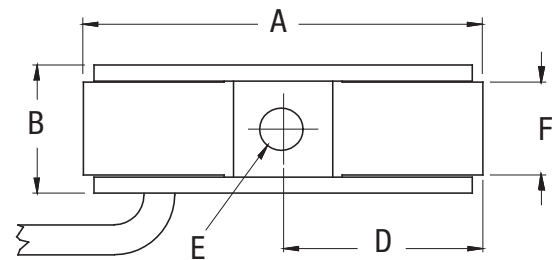
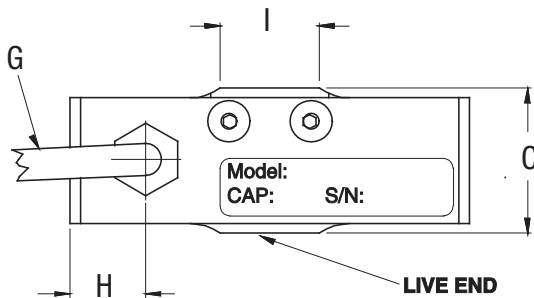
White +Signal

Green -Signal

Warranty:

One-year limited

INTERFACE®





Picture is a representation of actual product

Order Information

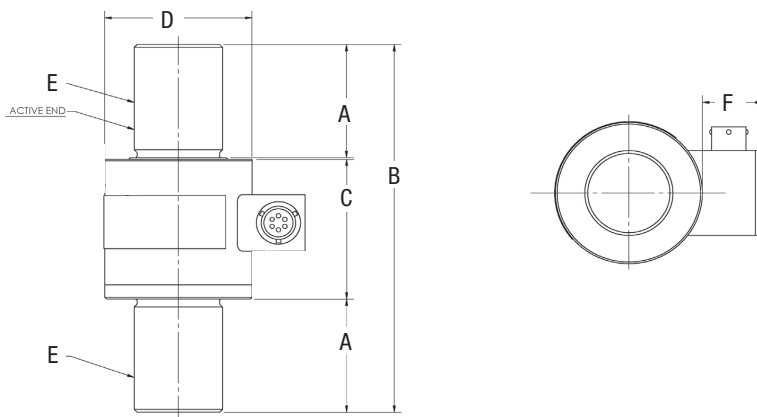
Load Rating	Part #	Est. Weight	Price
15,000 lb	185079	5 lb	\$2,040.00
20,000 lb	185080	5 lb	\$2,040.00
30,000 lb	185081	5 lb	\$2,040.00
50,000 lb	185583	5 lb	\$2,040.00
100,000 lb	185082	20 lb	\$3,705.00
200,000 lb	185083	40 lb	\$4,400.00

Load Cell Cable Option

	Part #	Est. Weight	Price
10 ft cable with PT06A-10-6S (SR) connector	185459	2 lb	\$250.00

Dimensions

Rated Capacity	A	B	C	D	E	F
15,000 to 50,000 lb/in	2.00	6.50	2.47	2.50	1.5-12 UNF	1.01
100,000	3.00	10.00	3.97	3.50	2.50-12 UNF	1.28
200,000	4.00	13.00	4.97	4.47	3.50-8 UNF	1.36



Specifications

Full Scale Output:

2.0 mV/V

Bridge Resistance:

350 ohm nominal

Material/Finish:

Stainless steel

Temperature:

Operating:

-65 °F to 250 °F (-54 °C to 121 °C)

Safe Overload:

150% full scale

Rated Excitation:

15 VDC Max

Nonlinearity:

15 to 30 k: ± 0.10% full scale

100 k: ± 0.15% full scale

200 k: ± 0.20% full scale

Hysteresis:

± 0.15% full scale

Insulation Resistance:

> 5,000 megohm

Connector Pin Out:

A +Excitation

B +Sense

C -Excitation

D -Sense

E -Signal

F +Signal

Warranty:

One-year limited

WMC Miniature Sealed

Stainless Steel



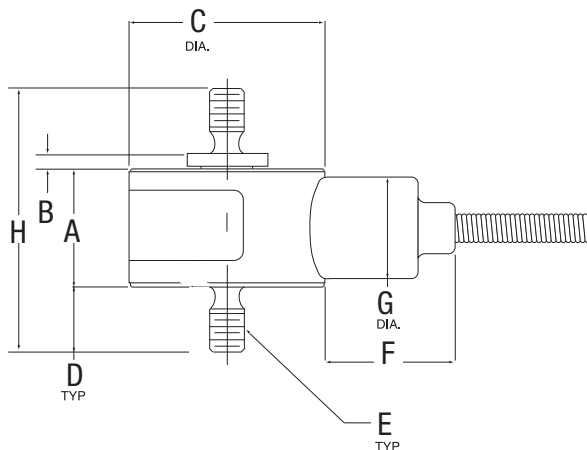
Picture is a representation of actual product

Order Information

Load Rating	Part #	Est. Weight	Price
5 lb	185090	1 lb	\$1,373.00
10 lb	185091	1 lb	\$1,373.00
25 lb	185092	1 lb	\$1,267.00
50 lb	185093	1 lb	\$1,267.00
100 lb	185094	1 lb	\$1,267.00
250 lb	185095	1 lb	\$1,267.00
500 lb	185096	1 lb	\$1,267.00
1,000 lb	185084	1 lb	\$1,267.00
2,000 lb	185085	1 lb	\$1,373.00
3,000 lb	185086	1 lb	\$1,373.00
5,000 lb	185087	1 lb	\$1,373.00
7,500 lb	185088	1 lb	\$1,373.00
10,000 lb	185089	1 lb	\$1,373.00

Dimensions

Rated Capacity	A	B	C	D	E	F	G	H
lb/in								
5 to 10	0.45	0.06	0.75	0.25	6-32 UNC	0.50	0.39	1.01
25 to 100	0.52	0.03	1.00	0.25	10-32 UNF	0.50	0.39	1.05
250 to 500	0.53	0.03	1.00	0.38	1/4-28 UNF	0.50	0.39	1.32
1,000	0.53	0.03	1.00	0.38	0.25-28 UNF	0.50	0.39	1.32
2,000 to 3,000	0.72	0.03	1.00	0.50	0.38-24 UNF	0.50	0.39	1.75
5,000	0.94	0.03	1.25	0.63	0.50-20 UNF	0.50	0.39	2.23
7,500 to 10,000	1.09	0.03	1.38	0.88	0.75-16 UNF	0.50	0.39	2.88



Specifications

Full Scale Output:

2.0 mV/V

Bridge Resistance:

350 ohm nominal

Material/Finish:

Stainless steel

Temperature:Operating:
-65 °F to 250 °F (-54 °C to 121 °C)**Safe Overload:**

150% full scale

Rated Excitation:

12 VDC

Nonlinearity:5 to 500 lb: ± 0.15% full scale
1,000 to 10,000 lb: ± 0.20% full scale**Hysteresis:**5 to 500 lb: ± 0.15% full scale
1,000 to 10,000 lb: ± 0.20% full scale**Insulation Resistance:**

> 5,000 megohm

Cable Length:

5 ft

Cable Color Code:Red +Excitation
Black -Excitation
White +Signal
Green -Signal**Warranty:**

One-year limited