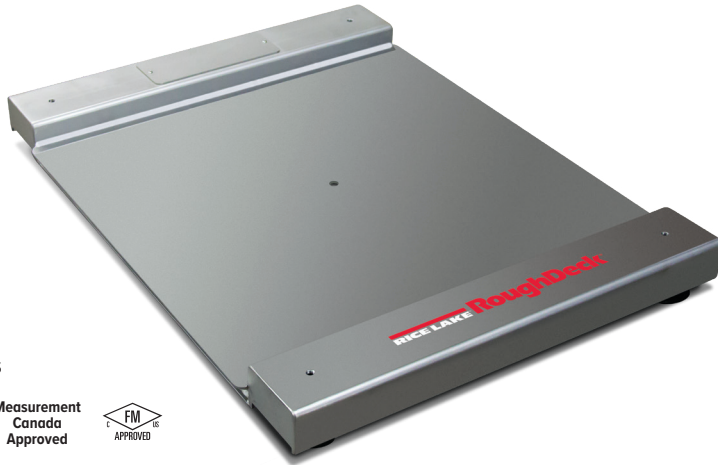


# RoughDeck® BDP Stainless Steel

Barrel, Drum, Pallet Scale - Stationary Model



## Approvals



Measurement  
Canada  
Approved



## Part Number/Price

Part #	Size (W × LW)	Capacity (Canadian Approved Capacities)	Est. Weight	Price
77967	30 × 31 in	1,000 lb (500 kg)	205 lb	Consult
77968	30 × 31 in	2,500 lb (1,000 kg)	205 lb	Consult
77969	36 × 37 in	1,000 lb (500 kg)	265 lb	Consult
77970	36 × 37 in	2,500 lb (1,000 kg)	265 lb	Consult
Part #	Size (W × LW)	Ramp Angle of Incline	Est. Weight	Price
Access Ramps				
78013	30 × 12 in (sold individually)	7.2°	25 lb	Consult
78014	36 × 12 in (sold individually)	7.2°	30 lb	Consult

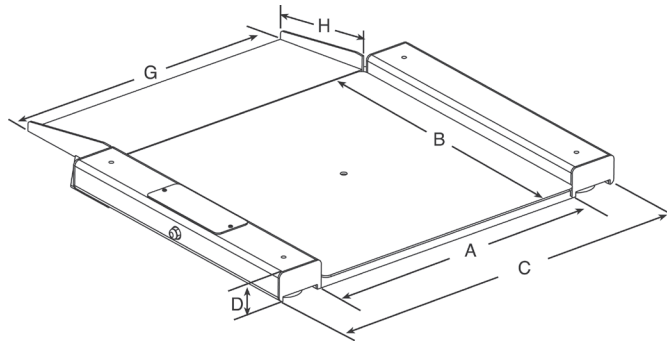
## Options/Accessories

Part #	Description	Price
18778	Floor anchor plates, stainless steel, set of 2 (for use with static scale, without ramps)	Consult
28740	Floor stand for indicator, 36.3 in high, stainless steel (for use with static scale)	Consult
Consult	Stainless steel deck with RL32218S-HE hermetically sealed IP69K stainless steel (cFMus approved) load cells and hardware	Consult
Consult	Stainless steel diamond treadplate safety deck	Consult
214614	Back stop and mounting hardware for 30 in wide scale	Consult
214615	Back stop and mounting hardware for 36 in wide scale	Consult

## Dimensions

RoughDeck BDP stainless steel with access ramp			
30 × 31 in models			
A	30.0 in	D	3.31 in
B	31.0 in	G	30.0 in
C	40.0 in	H	12.0 in
36 × 37 in models			
A	36.0 in	D	3.31 in
B	37.0 in	G	36.0 in
C	46.0 in	H	12.0 in

Distance from floor to top of center weighing surface: 1.625 in  
Distance from floor to bottom of weighing surface: 0.31 in  
Note: 1 in=25.4 mm



Shown with optional diamond treadplate and backstop

## Standard Features

- Live siderails
- Top-access foot adjustment holes
- Four adjustable stainless steel SUREFOOT™ support feet
- Smooth top plate
- Stainless steel, IP66 load cells

## Specifications

### End Load Capacity:

1,000 lb: 100% full scale  
2,500 lb: 80% full scale

### Cable Length:

10 ft (3 m)

### Scale Weldment:

AISI304L, glass bead blasted for even appearance

### Junction Box:

TuffSeal® JB4SS stainless steel, NEMA Type 4X junction box with signal trim card

### Welding:

Stitch, consult factory if continuous is required

### Threaded Eyebolt:

Holes are 1/2-13 threaded for lifting scale

### Warranty (limited):

Weldment: Five-year  
Load cells: Two-year  
All other components: One-year

### Approvals:

NTEP CC 03-060, Class III 2,500 d  
Measurement Canada AM-5578  
(500 kg) Class III 2,500 d  
(1,000 kg) Class III 2,000 d

FLOOR SCALES