

# Weigh Modules

## TABLE OF CONTENTS

<b>ITCM</b> .....	<b>38</b>	<b>EZ Mount 1 HE</b> .....	<b>69</b>
<i>Mild Steel, Isolated Tension Cell Modules</i>		<i>Stainless Steel, Weigh Modules</i>	
<b>ITCM SS</b> .....	<b>39</b>	<b>RL1600 Series with RL75016</b> .....	<b>70</b>
<i>Stainless Steel, Isolated Tension Cell Modules</i>		<i>Cast Iron, Weigh Modules</i>	
<b>ITCM HE</b> .....	<b>40</b>	<b>RL1600 Series with RL75016</b> .....	<b>71</b>
<i>Stainless Steel, Isolated Tension Cell Modules</i>		<i>Mild Steel, Weigh Modules</i>	
<b>RL50210TA</b> .....	<b>41</b>	<b>RL1600 Series with RL77032</b> .....	<b>72</b>
<i>Mild Steel/Stainless Steel, Mini Tank Weighing Module</i>		<i>Mild Steel, Weigh Modules</i>	
<b>65059</b> .....	<b>43</b>	<b>RL1600 Series with RL75016SS</b> .....	<b>73</b>
<i>Mild Steel/Stainless Steel, Mini Tank Weighing Module, VPG® Sensortronics®</i>		<i>Stainless Steel, Weigh Modules</i>	
<b>RL50219SS-TA</b> .....	<b>45</b>	<b>RL1600 SS Series with RL77032SS</b> .....	<b>74</b>
<i>Stainless Steel, Mini Tank Weighing Module</i>		<i>Stainless Steel, Weigh Modules</i>	
<b>Paramounts® EP</b> .....	<b>47</b>	<b>RL1600 Series with MLC Coated RL75016</b> .....	<b>75</b>
<i>Zinc Plated, Environmentally Protected, Tank Weighing Systems</i>		<i>Stainless Steel, Weigh Modules</i>	
<b>Paramounts® HS</b> .....	<b>49</b>	<b>RL1600 HE Series with RL77032SS HE</b> .....	<b>76</b>
<i>Zinc Plated, Hermetically Sealed, Tank Weighing Systems</i>		<i>Stainless Steel, Weigh Modules</i>	
<b>RLBTM</b> .....	<b>51</b>	<b>MVS Mount/MVS</b> .....	<b>77</b>
<i>Mild Steel/Stainless Steel, Weigh Modules</i>		<i>Mild Steel, Conversion Kit</i>	
<b>RL1800 Series</b> .....	<b>52</b>	<b>Translink™ Parallel Link</b> .....	<b>78</b>
<i>Mild Steel/Stainless Steel, Weigh Modules</i>		<i>Painted Mild Steel, Truck Scale Assembly</i>	
<b>RL1800 Series with MLC Coated Load Cell</b> .....	<b>54</b>	<b>Motor Truck Scale Electronic Conversion Kit</b> .....	<b>79</b>
<i>Stainless Steel, Weigh Modules</i>			
<b>RL1900 Series</b> .....	<b>55</b>	<b>MagnaMount™</b> .....	<b>80</b>
<i>Stainless Steel, Weigh Modules</i>		<i>Mount Assembly</i>	
<b>RLTM</b> .....	<b>56</b>	<b>Mettler Toledo® DigiTOL® Retrofit Kit</b> .....	<b>81</b>
<i>Stainless Steel, Tank Weigh Modules</i>		<i>Stainless Steel, Rice Lake Weighing Systems/Flintec</i>	
<b>RL9000TWM Series</b> .....	<b>57</b>	<b>Rice Lake Analog Retrofit Kit</b> .....	<b>83</b>
<i>Stainless Steel, Weighing Assembly</i>		<i>Stainless Steel, Analog Load Cells for B-Tek Digital Conversion to Analog</i>	
<b>RL9000TWM-HT</b> .....	<b>60</b>	<b>Electronic Floor Scale Underdeck Kits</b> .....	<b>84</b>
<i>Stainless Steel, High Temperature, Weigh Module</i>			
<b>RL2200 Series</b> .....	<b>61</b>		
<i>Mild Steel, Weighing Assembly</i>			
<b>RL2200SS Series</b> .....	<b>62</b>		
<i>Stainless Steel, Weighing Assembly</i>			
<b>RLC</b> .....	<b>63</b>		
<i>Stainless Steel, Weigh Modules, VPG® Revere</i>			
<b>220 Universal Mount</b> .....	<b>64</b>		
<i>Stainless Steel, Weigh Modules, VPG® Tedeo-Huntleigh®</i>			
<b>EZ Mount 1 with RL72020</b> .....	<b>65</b>		
<i>Mild Steel, Weigh Modules</i>			
<b>EZ Mount 1 SS with RL72020SS</b> .....	<b>67</b>		
<i>Stainless Steel, Weigh Modules</i>			
<b>EZ Mount 1 with MLC Coated RL72020</b> .....	<b>68</b>		
<i>Stainless Steel, Weigh Modules</i>			

Product names, logos, brands and other trademarks featured or referred to within this publication are the property of their respective trademark holders.

# ITCM

Mild Steel, Isolated Tension Cell Modules



Module with  
RL20000I S-beam load cell

## Complete Kit Includes

- Three or four ITCM assemblies with RL20000I NTEP Certified S-beam load cells
- One JB4SS NEMA Type 4X stainless steel signal trim junction box
- 25 ft of hostile environment EL147HE SURVIVOR® load cell cable

## Standard Features

- Capacities (per module): 100 to 20,000 lb
- Clevis mounts with nylon insulating washers
- Zinc-plated clevis assemblies
- Load cell is completely isolated from stray currents (except 20,000 lb)
- Grounding strap provides alternative path to ground
- Complete package for ease of installation
- Provides correct loading even in difficult installations
- Lower overall height compared to other isolated tension assemblies

## Applications

- Suspended hoppers and tanks
- Mechanical scale conversions
- Use as a single module or in multiples

Picture is a representation of actual product.

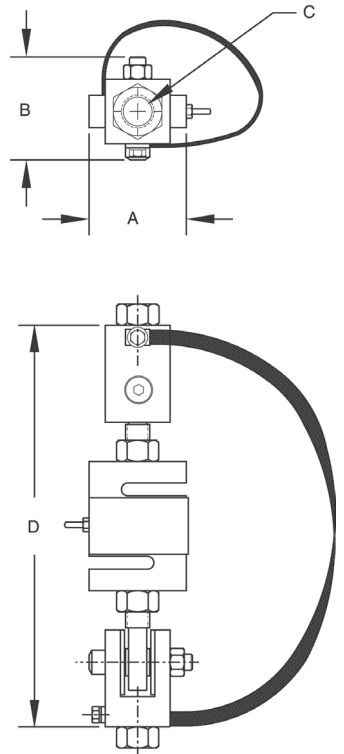
## Load Cell Approvals



WEIGH MODULES

## Load Rating Dimensions Per Module

Load Cell Capacity lb/in	Load Rating Dimensions Per Module				Single Module		3-Module Kit		4-Module Kit	
	A	B	C	D	Price	Price	Price	Price		
100	2.00	1.81	3/8-16 UNC 1/2-13 UNC	7.00 (ref)	<b>17851</b> <b>17831</b>	\$566.00 \$566.00	<b>18003</b> <b>18004</b>	\$1,995.00 \$1,995.00	<b>18027</b> <b>18028</b>	\$2,573.00 \$2,573.00
150	2.00	1.81	3/8-16 UNC 1/2-13 UNC	7.00 (ref)	<b>30337</b> <b>30336</b>	\$566.00 \$566.00	<b>30357</b> <b>30358</b>	\$1,995.00 \$1,995.00	<b>30359</b> <b>30360</b>	\$2,573.00 \$2,573.00
200	2.00	1.81	3/8-16 UNC 1/2-13 UNC	7.00 (ref)	<b>30335</b> <b>30338</b>	\$566.00 \$566.00	<b>30361</b> <b>30362</b>	\$1,995.00 \$1,995.00	<b>30363</b> <b>30364</b>	\$2,573.00 \$2,573.00
250	2.00	1.81	3/8-16 UNC 1/2-13 UNC	7.00 (ref)	<b>17852</b> <b>17832</b>	\$566.00 \$566.00	<b>18005</b> <b>18006</b>	\$1,995.00 \$1,995.00	<b>18029</b> <b>18030</b>	\$2,573.00 \$2,573.00
500	2.68	2.68	1/2-13 UNC 5/8-11 UNC 3/4-10 UNC	9.50 (ref)	<b>17853</b> <b>17858</b> <b>17833</b>	\$619.00 \$619.00 \$619.00	<b>18007</b> <b>18008</b> <b>18009</b>	\$2,138.00 \$2,138.00 \$2,138.00	<b>18031</b> <b>18032</b> <b>18033</b>	\$2,762.00 \$2,762.00 \$2,762.00
750	2.68	2.68	1/2-13 UNC 5/8-11 UNC 3/4-10 UNC	9.50 (ref)	<b>17854</b> <b>17859</b> <b>17834</b>	\$619.00 \$619.00 \$619.00	<b>18010</b> <b>18011</b> <b>18012</b>	\$2,138.00 \$2,138.00 \$2,138.00	<b>18034</b> <b>18035</b> <b>18036</b>	\$2,762.00 \$2,762.00 \$2,762.00
1,000	2.68	2.68	1/2-13 UNC 5/8-11 UNC 3/4-10 UNC	9.50 (ref)	<b>17855</b> <b>17860</b> <b>17835</b>	\$619.00 \$619.00 \$619.00	<b>18013</b> <b>18014</b> <b>18015</b>	\$2,138.00 \$2,138.00 \$2,138.00	<b>18037</b> <b>18038</b> <b>18039</b>	\$2,762.00 \$2,762.00 \$2,762.00
1,500	2.68	2.68	1/2-13 UNC 5/8-11 UNC 3/4-10 UNC	9.50 (ref)	<b>17856</b> <b>17861</b> <b>17836</b>	\$619.00 \$609.00 \$609.00	<b>18016</b> <b>18017</b> <b>18018</b>	\$2,138.00 \$2,138.00 \$2,138.00	<b>18040</b> <b>18041</b> <b>18042</b>	\$2,762.00 \$2,762.00 \$2,762.00
2,000	2.68	2.68	1/2-13 UNC 5/8-11 UNC 3/4-10 UNC	9.50 (ref)	<b>17857</b> <b>17862</b> <b>17837</b>	\$609.00 \$619.00 \$619.00	<b>18019</b> <b>18020</b> <b>18021</b>	\$2,138.00 \$2,138.00 \$2,138.00	<b>18043</b> <b>18044</b> <b>18045</b>	\$2,762.00 \$2,762.00 \$2,762.00
2,500	2.68	2.68	5/8-11 UNC 3/4-10 UNC	9.50 (ref)	<b>17863</b> <b>17838</b>	\$619.00 \$619.00	<b>18022</b> <b>18023</b>	\$2,138.00 \$2,138.00	<b>18046</b> <b>18047</b>	\$2,762.00 \$2,762.00
3,000	3.37	3.37	3/4-10 UNC	10.50 (ref)	<b>30339</b>	\$646.00	<b>30365</b>	\$2,229.00	<b>30366</b>	\$2,873.00
5,000	3.37	3.37	3/4-10 UNC 1-8 UNC	12.25 (ref)	<b>17864</b> <b>17839</b>	\$842.00 \$842.00	<b>18024</b> <b>18025</b>	\$2,773.00 \$2,773.00	<b>18048</b> <b>18049</b>	\$3,657.00 \$3,657.00
10,000	3.37	3.37	1-8 UNC	12.25 (ref)	<b>17840</b>	\$842.00	<b>18026</b>	\$2,773.00	<b>18050</b>	\$3,657.00
15,000	4.00	4.12	1 1/4-7 UNC	18.00 (ref)	<b>17960</b>	\$1,756.00	<b>30353</b>	\$5,642.00	<b>30354</b>	\$7,406.00
20,000	5.00	4.12	1 1/2-6 UNC	20.00 (ref)	<b>17961</b>	\$2,064.00	<b>30355</b>	\$5,642.00	<b>30356</b>	\$8,630.00





Module with RL20000ST S-beam load cell

### Complete Kit Includes

- Three or four ITCM assemblies with RL20000ST NTEP Certified S-beam load cells
- One JB4SS NEMA Type 4X stainless steel signal trim junction box
- 25 ft of hostile environment EL147HE SURVIVOR® load cell cable

### Standard Features

- Capacities (per module): 100 to 5,000 lb
- Clevis mounts with nylon insulating washers
- PTFE lined rod-end ball joints
- Load cell is completely isolated from stray currents
- Grounding strap provides alternative path to ground
- Complete package for ease of installation
- Provides correct loading even in difficult installations
- Lower overall height compared to other isolated tension assemblies

### Applications

- Suspended hoppers and tanks
- Mechanical scale conversions
- Use as a single module or in multiples

Picture is a representation of actual product.

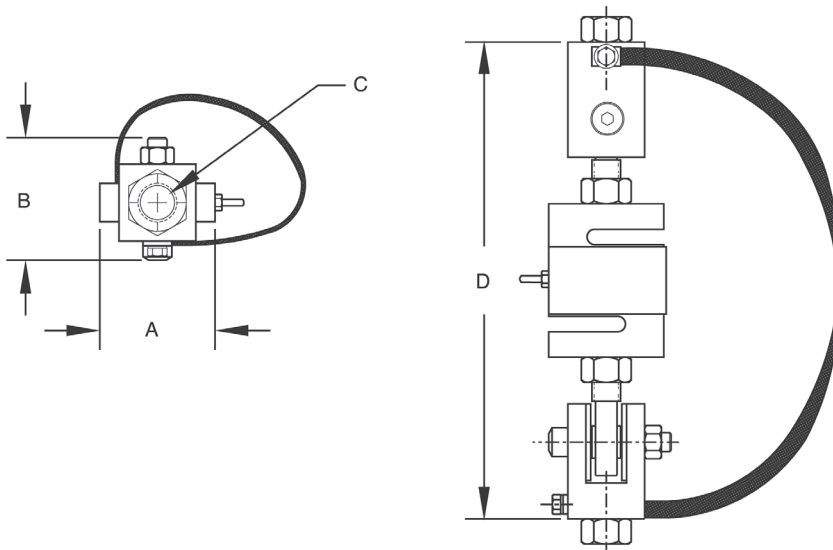
### Load Cell Approvals



### Load Rating Dimensions Per Module

Load Cell Capacity lb/in	A	B	C	D	Single Module		3-Module Kit		4-Module Kit	
						Price		Price		Price
100	2.00	1.81	3/8-16 UNC	7.00 (ref)	46765	\$892.00	46735	\$2,809.00	46751	\$3,598.00
			1/2-13 UNC		46766	\$892.00	46736	\$2,809.00	46752	\$3,598.00
250	2.00	1.81	3/8-16 UNC	7.00 (ref)	46767	\$892.00	46737	\$2,809.00	46753	\$3,598.00
			1/2-13 UNC		46768	\$892.00	46738	\$2,809.00	46754	\$3,598.00
500	2.68	2.68	1/2-13 UNC	9.50 (ref)	46769	\$892.00	46739	\$2,809.00	46755	\$3,598.00
			5/8-11 UNC		46770	\$892.00	46740	\$2,809.00	46756	\$3,598.00
750	2.68	2.68	1/2-13 UNC	9.50 (ref)	46771	\$892.00	46741	\$2,809.00	46757	\$3,598.00
			5/8-11 UNC		46772	\$892.00	46742	\$2,809.00	46758	\$3,598.00
1,000	2.68	2.68	1/2-13 UNC	9.50 (ref)	46773	\$892.00	46743	\$2,809.00	46759	\$3,598.00
			5/8-11 UNC		46774	\$892.00	46744	\$2,809.00	46760	\$3,598.00
2,500	2.68	2.68	5/8-11 UNC	9.50 (ref)	46775	\$892.00	46745	\$2,809.00	46761	\$3,598.00
			3/4-10 UNC		46776	\$892.00	46746	\$2,809.00	46762	\$3,598.00
3,000	3.37	3.37	3/4-10 UNC	10.75 (ref)	46777	\$962.00	46747	\$3,105.00	46763	\$3,890.00
			3/4-10 UNC		46778	\$1,651.00	46748	\$5,103.00	46764	\$6,608.00

WEIGH MODULES



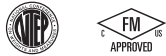
# ITCM HE

Stainless Steel, Isolated Tension Cell Modules



Picture is a representation of actual product.

## Load Cell Approvals



Module with  
RL20001HE S-beam load cell

## Complete Kit Includes

- Three or four ITCM assemblies with RL20001HE NTEP Certified S-beam load cells stainless steel, welded-seal
- One JB4SS NEMA Type 4X stainless steel signal trim junction box
- 25 ft of hostile environment EL147HE SURVIVOR® load cell cable

## Standard Features

- Capacities (per module): 500 to 5,000 lb
- Clevis mounts with nylon insulating washers
- PTFE lined rod-end ball joints
- Load cell is completely isolated from stray currents
- Grounding strap provides alternative path to ground
- Complete package for ease of installation
- Provides correct loading even in difficult installations
- Lower overall height compared to other isolated tension assemblies

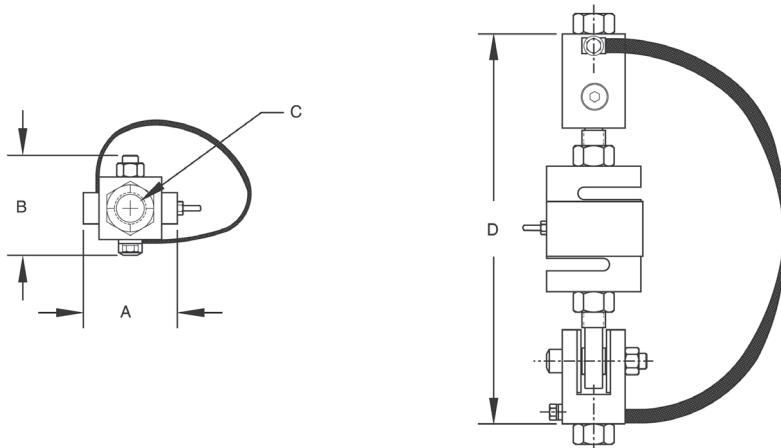
## Applications

- Suspended hoppers and tanks
- Mechanical scale conversions
- Use as a single module or in multiples

WEIGH MODULES

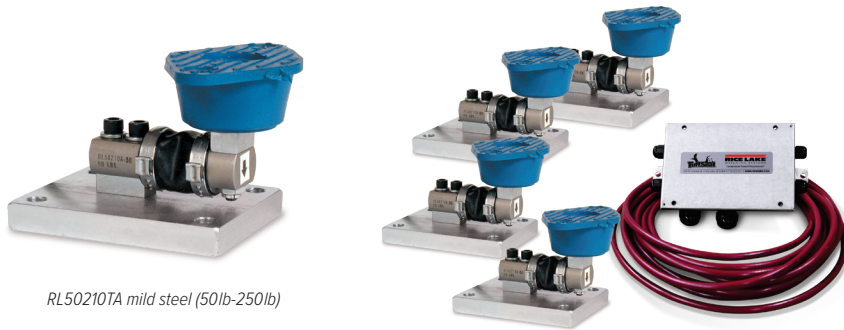
## Load Rating Dimensions Per Module

Load Cell Capacity	A	B	C	D	Single Module	Price	3-Module Kit	Price	4-Module Kit	Price
lb/in										
500	2.68	2.68	1/2-13 UNC 5/8-11 UNC 3/4-10 UNC	9.50 (ref)	46599 46600 46601	\$1,618.00 \$1,618.00 \$1,618.00	46561 46562 46563	\$4,702.00 \$4,702.00 \$4,702.00	46580 46581 46582	\$6,269.00 \$6,269.00 \$6,269.00
750	2.68	2.68	1/2-13 UNC 5/8-11 UNC 3/4-10 UNC	9.50 (ref)	46602 46603 46604	\$1,618.00 \$1,618.00 \$1,618.00	46564 46565 46566	\$4,702.00 \$4,702.00 \$4,702.00	46583 46584 46585	\$6,269.00 \$6,269.00 \$6,269.00
1,000	2.68	2.68	1/2-13 UNC 5/8-11 UNC 3/4-10 UNC	9.50 (ref)	46605 46606 46607	\$1,618.00 \$1,618.00 \$1,618.00	46567 46568 46569	\$4,702.00 \$4,702.00 \$4,702.00	46586 46587 46588	\$6,269.00 \$6,269.00 \$6,269.00
1,500	2.68	2.68	1/2-13 UNC 5/8-11 UNC 3/4-10 UNC	9.50 (ref)	46608 46609 46610	\$1,618.00 \$1,618.00 \$1,618.00	46570 46571 46572	\$4,702.00 \$4,702.00 \$4,702.00	46589 46590 46591	\$6,269.00 \$6,269.00 \$6,269.00
2,000	2.68	2.68	1/2-13 UNC 5/8-11 UNC 3/4-10 UNC	9.50 (ref)	46611 46612 46613	\$1,618.00 \$1,618.00 \$1,618.00	46573 46574 46575	\$4,702.00 \$4,702.00 \$4,702.00	46592 46593 46594	\$6,269.00 \$6,269.00 \$6,269.00
2,500	2.68	2.68	5/8-11 UNC 3/4-10 UNC	9.50 (ref)	46614 46615	\$1,618.00 \$1,618.00	46576 46577	\$4,702.00 \$4,702.00	46595 46596	\$6,269.00 \$6,269.00
3,000	3.37	3.37	3/4-10 UNC	10.00 (ref)	46616	\$1,618.00	46578	\$4,702.00	46597	\$6,269.00
5,000	3.37	3.37	3/4-10 UNC	12.62 (ref)	46617	\$2,399.00	46579	\$7,042.00	46598	\$9,338.00



# RL50210TA

Mild Steel/Stainless Steel, Mini Tank Weighing Module



RL50210TA mild steel (50lb-250lb)



Picture is a representation of actual product.

NTEP Certified 1,000lb mild steel load cell shown.

## Load Cell Approvals



## Complete Kit Includes

- Three or four neoprene isolation/compression mounts with load cells
  - 50 to 250 lb mild steel: RL50210
  - 500 lb mild steel: RL30000 or equivalent
  - 1,000 to 2,500 lb mild steel: RL32018
  - 500 lb stainless steel: RL39123 or equivalent
  - 1,000 to 2,500 lb stainless steel: RL32018S
- One JB4SS NEMA Type 4X stainless steel signal trim junction box
- 25 ft of hostile environment EL147HE SURVIVOR® load cell cable

## Standard Features

- NTEP Certified load cells (1,000 lb, 2,000 lb and 2,500 lb only)
- Zinc plated mild steel or stainless steel assemblies
- Weighing ranges from 50 to 2,500 lb per module
- Neoprene isolation mounts allow for minor misalignment, thermal expansion and shock absorption
- Overload stop provides durability

## Applications

- Small tanks and hoppers
- Conveyor/In-motion weighing
- Small platform scales where minor shock loading may occur

## Optional Features

- Stainless steel modules available in 500 lb capacities with RL39123 stainless steel load cells

WEIGH MODULES

## Order Information

Load Rating (Per Module)	Part #	Price
<b>Non-NTEP Certified Mild Steel Single Module (Includes Load Cell)</b>		
50 lb	17844	\$470.00
100 lb	17845	\$470.00
150 lb	17846	\$470.00
250 lb	17847	\$470.00
500 lb	17848	\$625.00
<b>NTEP Certified Mild Steel Single Module (Includes Load Cell)</b>		
1,000 lb	17849	\$625.00
2,000 lb	17948	\$625.00
2,500 lb	17949	\$625.00
<b>Non-NTEP Certified Mild Steel 3-Module Kit</b>		
50 lb	18051	\$1,645.00
100 lb	18052	\$1,645.00
150 lb	18053	\$1,645.00
250 lb	18054	\$1,645.00
500 lb	18055	\$2,135.00
<b>NTEP Certified Mild Steel 3-Module Kit</b>		
1,000 lb	18056	\$2,135.00
2,000 lb	30398	\$2,135.00
2,500 lb	30396	\$2,135.00
<b>Non-NTEP Certified Mild Steel 4-Module Kit</b>		
50 lb	18057	\$2,115.00
100 lb	18058	\$2,115.00
150 lb	18059	\$2,115.00
250 lb	18060	\$2,115.00
500 lb	18061	\$2,700.00

# RL50210TA

Mild Steel/Stainless Steel, Mini Tank Weighing Module

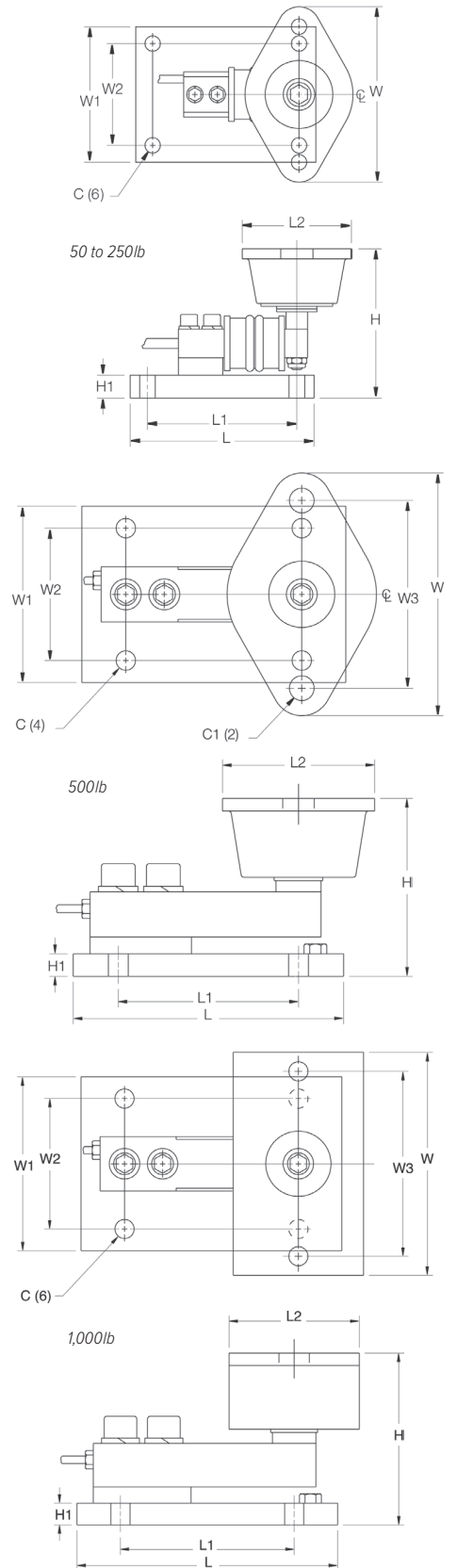
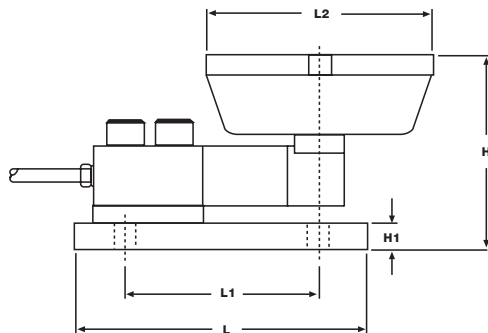
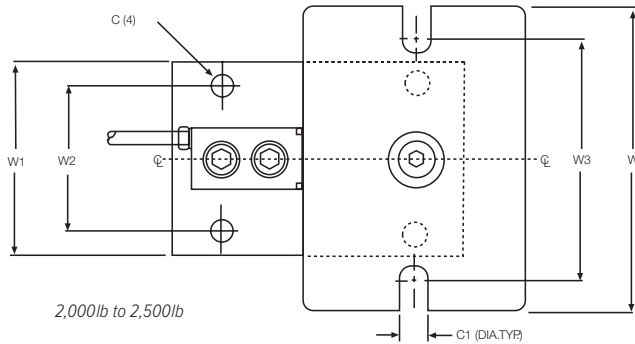
## Order Information

Load Rating (Per Module)	Part #	Price
<b>NTEP Certified Mild Steel 4- Module Kit</b>		
1,000 lb	18062	\$2,700.00
2,000 lb	30397	\$2,700.00
2,500 lb	30395	\$2,700.00
<b>Stainless Steel Single Module (Includes Load Cell)</b>		
500 lb	17954	\$735.00
1,000 lb	17955	\$695.00
2,000 lb	17956	\$695.00
2,500 lb	17957	\$695.00
<b>Stainless Steel 3-Module Kit</b>		
500 lb	30394	\$2,435.00
1,000 lb	30404	\$2,435.00
2,000 lb	30402	\$2,435.00
2,500 lb	30400	\$2,435.00
<b>Stainless Steel 4-Module Kit</b>		
500 lb	30393	\$3,190.00
1,000 lb	30403	\$3,190.00
2,000 lb	30401	\$3,190.00
2,500 lb	30399	\$3,190.00

## Dimensions

Rated Capacity	C	C1	H	H1	L	L1	L2	W	W1	W2	W3
50 to 250	0.34	-	3.13	0.50	4.00	3.25	2.38	3.88	3.00	2.25	-
500	0.44	0.56	3.88	0.50	6.00	4.00	3.38	5.50	4.00	3.00	4.13
1,000	0.44	-	4.00	0.50	6.00	4.00	3.00	5.13	4.00	3.00	4.13
2,000 to 2,500	0.44	0.56	4.00	0.50	6.00	4.00	4.62	6.25	4.00	3.00	5.00

WEIGH MODULES





NTEP Certified 1,000lb load cell shown.

65059 mild steel (50lb to 250lb)

Picture is a representation of actual product.

### Load Cell Approvals



### Order Information

Load Rating (Per Module)	Part #	Price
<b>Mild Steel Single Module (Includes Load Cell)</b>		
50 lb	17825	\$470.00
100 lb	17826	\$470.00
150 lb	17827	\$470.00
250 lb	17828	\$470.00
500 lb	17829	\$625.00
1,000 lb	17830	\$625.00
2,000 lb	17946	\$625.00
2,500 lb	17947	\$625.00
<b>Mild Steel 3-Module Kit</b>		
50 lb	18063	\$1,645.00
100 lb	18064	\$1,645.00
150 lb	18065	\$1,645.00
250 lb	18066	\$1,645.00
500 lb	18067	\$2,135.00
1,000 lb	18068	\$2,135.00
2,000 lb	30413	\$2,088.00
2,500 lb	30412	\$2,135.00
<b>Mild Steel 4-Module Kit</b>		
50 lb	18069	\$2,115.00
100 lb	18070	\$2,115.00
150 lb	18071	\$2,115.00
250 lb	18072	\$2,115.00
500 lb	18073	\$2,700.00
1,000 lb	18074	\$2,645.00
2,000 lb	30414	\$2,700.00
2,500 lb	30411	\$2,700.00

### Complete Kit Includes

- Three or four neoprene isolation/compression mounts with NTEP Certified load cells
  - 50 to 250 lb mild steel: 60040
  - 500 lb mild steel: 65023-500-0107
  - 1,000 to 2,500 lb mild steel: 65023A1K-5107
  - 500 lb stainless steel: 65023-500-0113
  - 1,000 to 2,500 lb stainless steel: 65023S1K-5113
- One JB4SS NEMA Type 4X stainless steel signal trim junction box
- 25 ft of hostile environment EL147HE SURVIVOR® load cell cable

### Standard Features

- Zinc plated, mild steel modules
- Lower weighing ranges from 50 to 500 lb per module
- Environmentally protected load cells
- Neoprene isolation/compression mounts allow for minor misalignment, thermal expansion and shock absorption
- Overload stop for 500 lb modules provides durability

### Applications

- Small tanks and hoppers
- Conveyor/In-motion weighing
- Small platform scales where minor shock loading may occur

WEIGH MODULES

# 65059

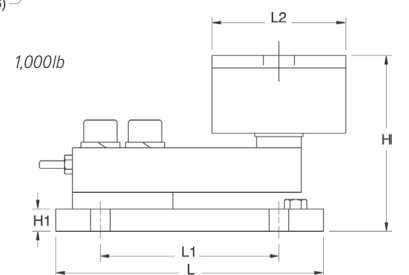
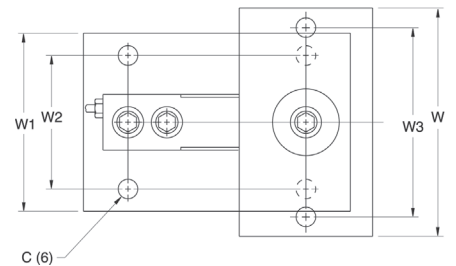
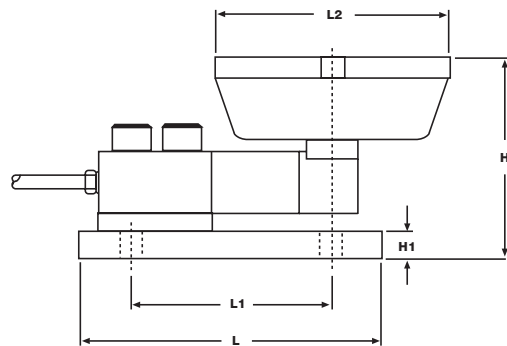
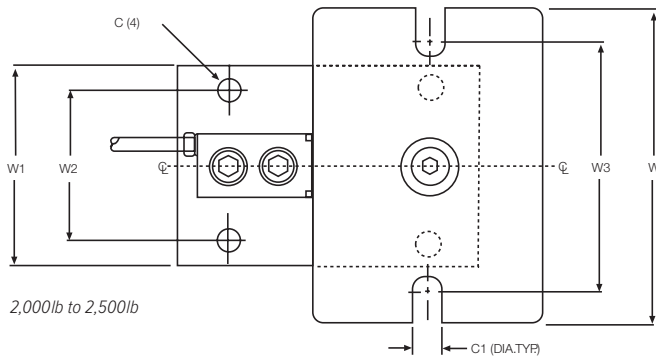
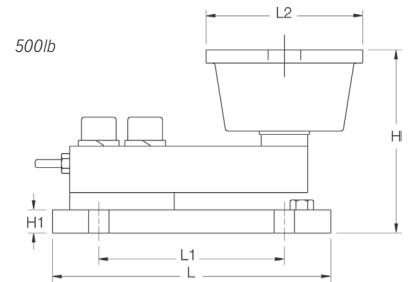
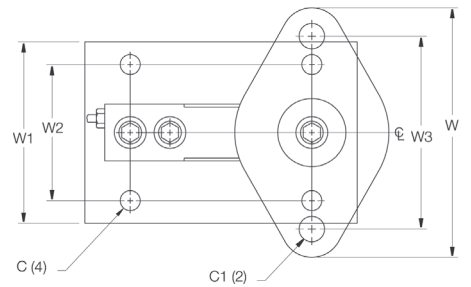
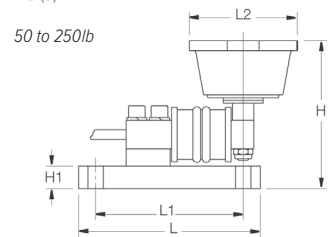
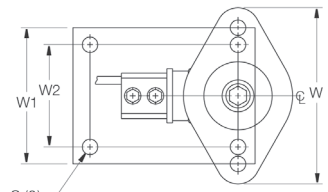
Mild Steel/Stainless Steel, Mini Tank Weighing Module, VPG® Scentroidronics®

## Order Information

Load Rating (Per Module)	Part #	Price
<b>Stainless Steel Single Module (Includes Load Cell)</b>		
500 lb	17950	\$735.00
1,000 lb	17951	\$735.00
2,000 lb	17952	\$735.00
2,500 lb	17953	\$735.00
<b>Stainless Steel 3-Module Kit</b>		
500 lb	30392	\$2,435.00
1,000 lb	30410	\$2,435.00
2,000 lb	30408	\$2,435.00
2,500 lb	30406	\$2,435.00
<b>Stainless Steel 4-Module Kit</b>		
500 lb	30391	\$3,190.00
1,000 lb	30409	\$3,190.00
2,000 lb	30407	\$3,190.00
2,500 lb	30405	\$3,190.00

## Dimensions

Rated Capacity	C	C1	H	H1	L	L1	L2	W	W1	W2	W3
lb/in											
50 to 250	0.34	-	3.13	0.50	4.00	3.25	2.38	3.88	3.00	2.25	-
500	0.44	0.56	3.88	0.50	6.00	4.00	3.38	5.50	4.00	3.00	4.13
1,000	0.44	-	4.00	0.50	6.00	4.00	3.00	5.13	4.00	3.00	4.13
2,000 to 2,500	0.44	0.56	4.00	0.50	6.00	4.00	4.62	6.25	4.00	3.00	5.00



WEIGH MODULES



# RL50219SS-TA

Stainless Steel, Mini Tank Weighing Module



RL50219SS-TA (50lb-250lb)

Picture is a representation of actual product.

## Complete Kit Includes

- Three or four neoprene isolation/compression mounts with load cells  
50 to 250 lb model: RL50219SS  
500 lb model: stainless steel single-ended beam
- One JB4SS NEMA Type 4X stainless steel signal trim junction box
- 25 ft of hostile environment EL147HE SURVIVOR® load cell cable

## Standard Features

- Stainless steel modules
- Lower weighing ranges from 50 to 500 lb per module
- Environmentally protected load cells
- Neoprene isolation/compression mounts allow for minor misalignment, thermal expansion and shock absorption
- Overload stop for 500 lb modules provides durability

## Applications

- Small tanks and hoppers
- Conveyor/In-motion weighing
- Small platform scales where minor shock loading may occur

## Order Information

Load Rating (Per Module)	Part #	Price
<b>Single Module (Includes Load Cell)</b>		
50 lb	196829	\$710.00
75 lb	196830	\$710.00
100 lb	196831	\$710.00
150 lb	196832	\$710.00
250 lb	196833	\$710.00
500 lb	17954	\$735.00
<b>3-Module Kit</b>		
50 lb	196840	\$2,410.00
75 lb	196841	\$2,410.00
100 lb	196842	\$2,410.00
150 lb	196843	\$2,410.00
250 lb	196844	\$2,410.00
500 lb	30394	\$2,435.00
<b>4-Module Kit</b>		
50 lb	196845	\$3,115.00
75 lb	197015	\$3,115.00
100 lb	196846	\$3,115.00
150 lb	196848	\$3,115.00
250 lb	196849	\$3,115.00
500 lb	30393	\$3,190.00

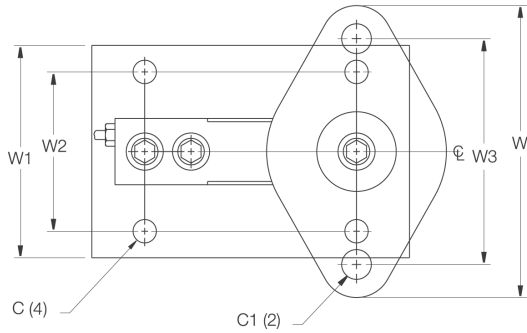
WEIGH MODULES

# RL50219SS-TA

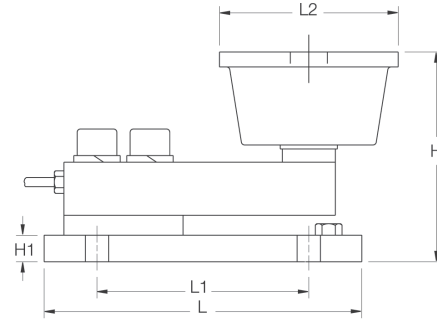
Stainless Steel, Mini Tank Weighing Module

## Dimensions

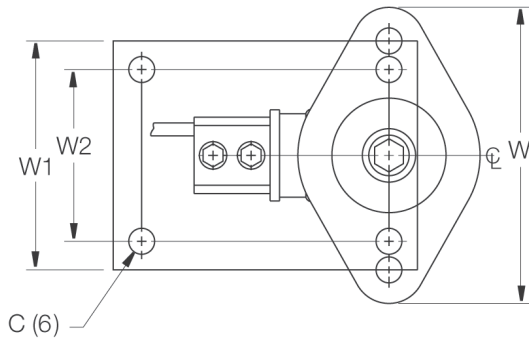
Rated Capacity	C	C1	H	H1	L	L1	L2	W	W1	W2	W3
<b>lb/in</b>											
50 to 250	0.34	-	3.13	0.50	4.00	3.25	2.38	3.88	3.00	2.25	-
500	0.44	0.56	3.88	0.50	6.00	4.00	3.38	5.50	4.00	3.00	4.13



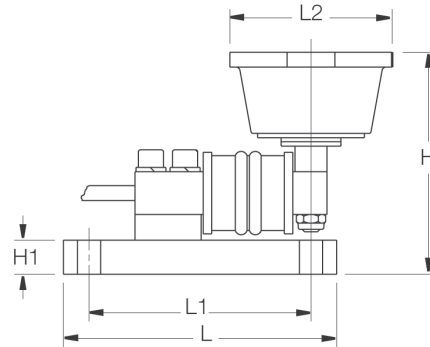
500lb

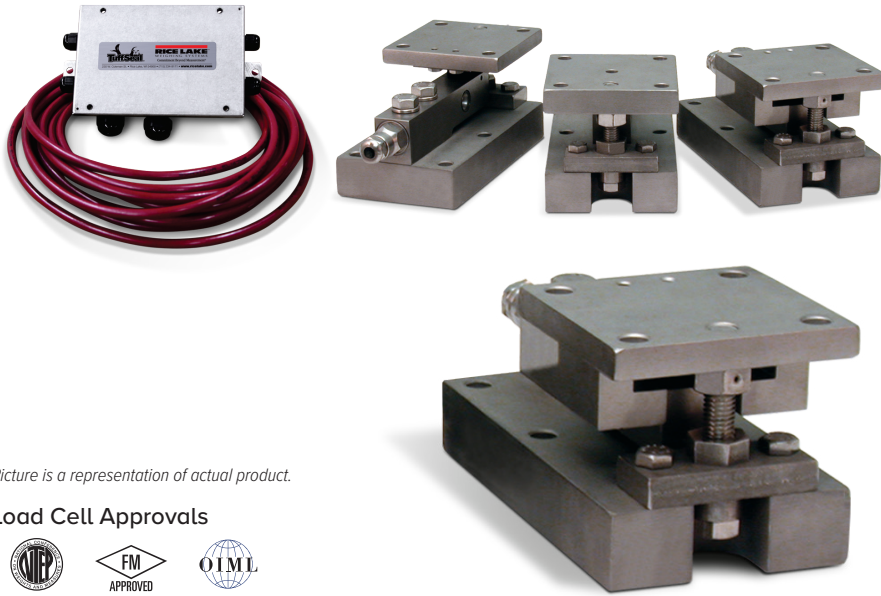


WEIGH MODULES



50 to 250lb





Picture is a representation of actual product.

### Load Cell Approvals



### Order Information

Load Rating (Per Module)	Part #	Price
<b>NTEP Certified 3-Module Kits</b>		
5 kN	33683	\$2,665.00
10 kN	33682	\$2,665.00
20 kN	33681	\$2,665.00
50 kN	33680	\$3,055.00
<b>NTEP Certified 4-Module Kits</b>		
5 kN	33678	\$3,553.00
10 kN	33677	\$3,553.00
20 kN	33676	\$3,553.00
50 kN	33675	\$4,372.00
<b>Non-NTEP Certified 3-Module Kit</b>		
100 kN	33679	\$4,832.00
<b>Non-NTEP Certified 4-Module Kit</b>		
100 kN	33674	\$4,832.00

NOTE: 1 kN=224.8 lb

### Complete Kit Includes

- One fixed-pin module, one side-stop module, and one or two free-sliding assemblies. Each module is complete with a NTEP Certified Flintec® SB5 stainless steel environmentally protected load cell.
- One JB4SS NEMA Type 4X stainless steel signal trim junction box
- 25 ft of hostile environment EL147HE SURVIVOR® load cell cable

### Standard Features

- Capacities (per module): 5 to 20 kN
- NTEP Certified 1:5000 d, Class II load cells
- Unique design allows for thermal expansion/contraction
- Jacking screw allows empty vessel to be lifted clear of load cell for maintenance
- Unique blind load hole eliminates unwanted side and eccentric loads
- Vessel is free to slide laterally on PTFE coated surfaces
- mV/V/ohm load cell outputs allow for replacement without further calibration

### Applications

- Light- to medium-capacity tanks and hoppers
- Process measurement and control

# Paramounts® EP

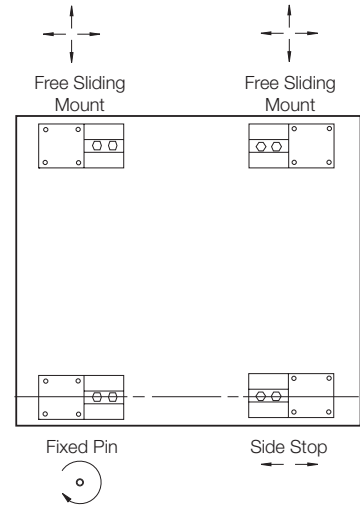
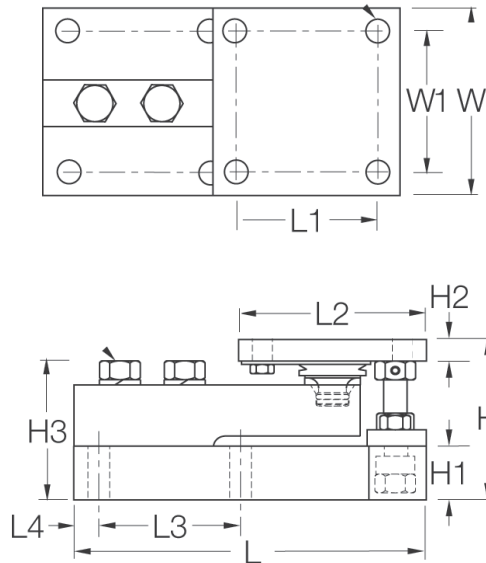
Zinc Plated, Environmentally Protected, Tank Weighing Systems

## Dimensions

Rated Capacity	C	H	H1	*H2	**H2	H3	L	L1	L2	L3	L4	W	W1
kN/in													
5 to 20	0.44	3.58	1.25	0.50	0.75	3.06	7.51	3.00	4.00	3.00	0.50	4.00	3.00
50	0.56	4.66	1.50	0.62	1.00	4.09	9.19	3.87	5.00	3.87	0.56	5.00	3.87
100	0.69	6.41	2.00	0.75	1.25	5.73	11.46	4.75	6.00	4.75	0.69	6.00	4.75

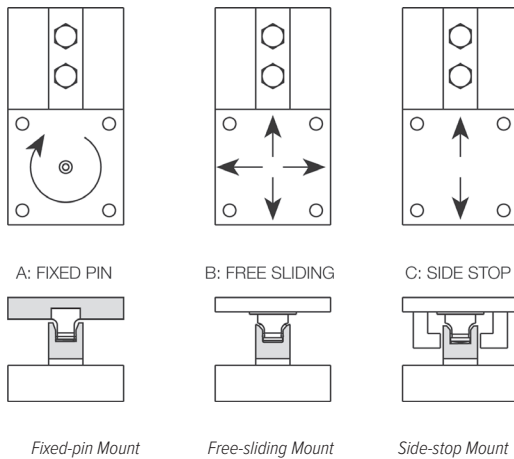
\* Side-stop and free-sliding units    \*\* Fixed-pin units

C (8PLS)



### VESSEL ARRANGEMENT

When arranged as illustrated, the vessel is fixed at one corner but is able to slide freely as indicated. This ensures there is minimal side loading on the cells and at the same time the vessel is self-checking. The unique, patented blind load hole technology used in these mounts introduces the load at the neutral axis of the load cell which helps minimize the effects of side loads.

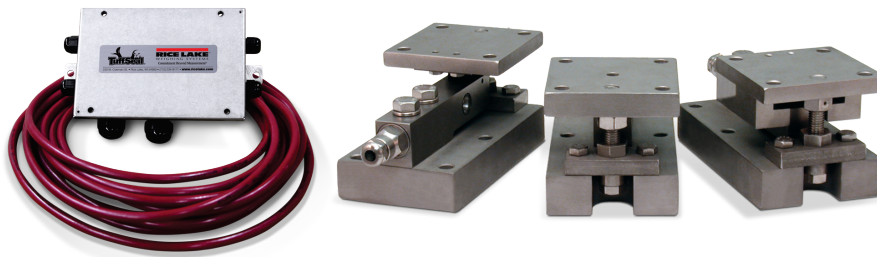


Fixed-pin Mount

Free-sliding Mount

Side-stop Mount

WEIGH MODULES

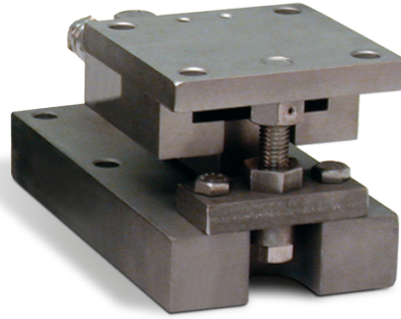


Picture is a representation of actual product.

### Load Cell Approvals



Available



### Complete Kit Includes

- One fixed-pin module, one side-stop module, and one or two free-sliding assemblies. Each module is complete with a Flintec® SB4 NTEP Certified, stainless steel, hermetically sealed load cell.
- One JB4SS NEMA Type 4X stainless steel signal trim junction box
- 25 ft of hostile environment EL147HE SURVIVOR® load cell cable

### Standard Features

- Capacities (per module): 5 to 100 kN
- Unique design allows for thermal expansion/contraction
- Jacking screw allows empty vessel to be lifted clear of load cell for maintenance
- Unique blind load hole eliminates unwanted side and eccentric loads
- Vessel is free to slide laterally on PTFE coated surfaces
- Load cell outputs are matched to  $\pm 0.07\%$  allowing replacement without further calibration

### Applications

- Light- to medium-capacity tanks and hoppers
- Mixers and blenders
- Process measurement and control

WEIGH MODULES

### Order Information

Load Rating (Per Module)	Part #	Price
<b>NTEP Certified 3-Module Kit</b>		
5 kN	29871	\$3,370.00
10 kN	29872	\$3,370.00
23 kN	29873	\$3,370.00
50 kN	29874	\$4,000.00
<b>NTEP Certified 4-Module Kit</b>		
5 kN	29875	\$4,535.00
10 kN	29876	\$4,535.00
23 kN	29877	\$4,535.00
50 kN	29878	\$5,135.00
<b>Non-NTEP Certified 3-Module Kit</b>		
5 kN	17977	\$3,265.00
10 kN	17978	\$3,265.00
23 kN	17979	\$3,265.00
50 kN	17980	\$3,962.00
100 kN	17981	\$5,090.00

Load Rating (Per Module)	Part #	Price
<b>Non-NTEP Certified 4-Module Kit</b>		
5 kN	17984	\$4,282.00
10 kN	17985	\$4,282.00
23 kN	17986	\$4,282.00
50 kN	17987	\$4,875.00
100 kN	17988	\$6,160.00
<b>Conduit Adapter Kit (must be factory installed to maintain warranty)</b>		
1/2-14 NPT	17703	\$50.00

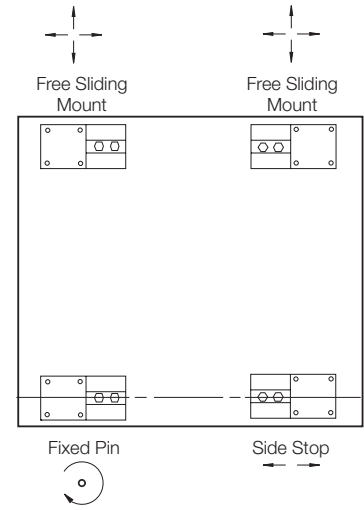
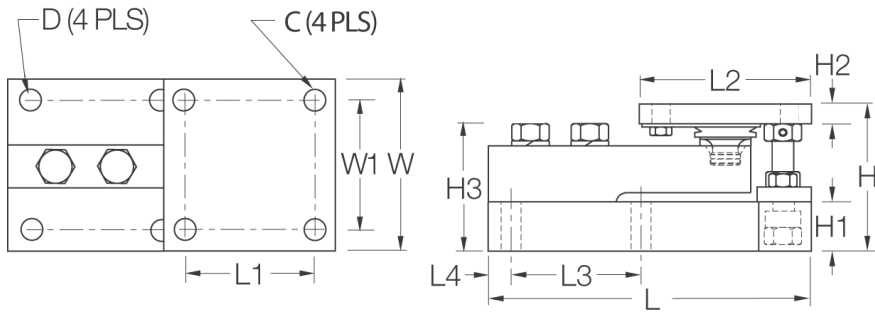
# Paramounts® HS

Zinc Plated, Hermetically Sealed, Tank Weighing Systems

## Dimensions

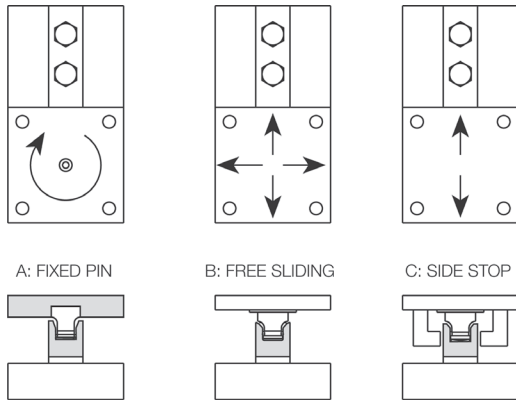
Rated Capacity	C	D	H	H1	*H2	**H2	H3	L	L1	L2	L3	L4	W	W1
5 kN to 23 kN	0.44	0.44	3.58	1.25	0.50	0.75	3.06	7.51	3.00	4.00	3.00	0.50	4.00	3.00
50 kN	0.56	0.56	4.66	1.50	0.62	1.00	4.09	9.19	3.87	5.00	3.87	0.56	5.00	3.87
100 kN	0.69	0.69	6.41	2.00	0.75	1.25	5.73	11.46	4.75	6.00	4.75	0.69	6.00	4.75

\* Side-stop and free-sliding units    \*\* Fixed-pin units



### VESSEL ARRANGEMENT

When arranged as illustrated, the vessel is fixed at one corner but is able to slide freely as indicated. This ensures there is minimal side loading on the cells and at the same time the vessel is self-checking. The unique, patented blind load hole technology used in these mounts introduces the load at the neutral axis of the load cell which helps minimize the effects of side loads.

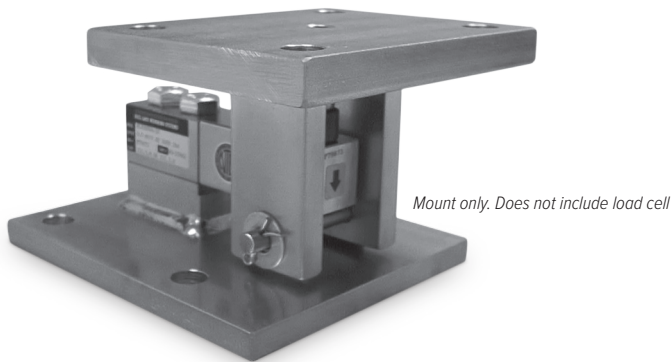


Fixed-pin Mount

Free-sliding Mount

Side-stop Mount

WEIGH MODULES



Picture is a representation of actual product.

## Standard Features

- Capacities (per module): 250 to 5,000 lb SE
- Zinc plated, mild steel construction or stainless steel construction
- Self-checking, multi-directional movement
- Design incorporates a ball and cup for self-centering
- Will accommodate a standard shear beam 250 to 5,000 lb SE load cell that has a threaded load hole such as the RL30000, RL39123, RL32018, RL32018S, RL32218S-HE

## Applications

- Light- to medium-capacity tanks and hoppers
- Conveyors

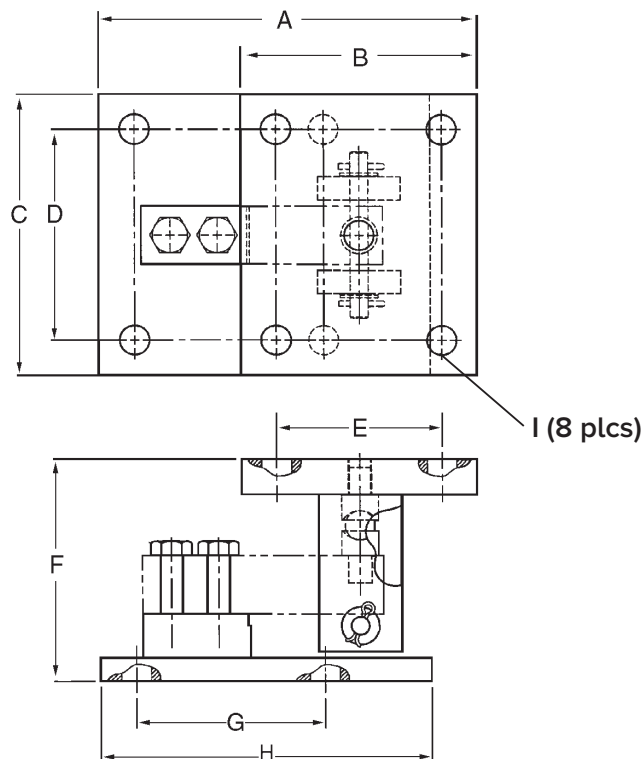
## Order Information

Load Rating (Per Module)	Part #	Price
<b>Single Module Mild Steel</b>		
250 to 5,000 lb SE	<b>53059</b>	\$430.00
<b>Single Module Stainless Steel</b>		
250 to 5,000 lb SE	<b>53066</b>	\$655.00

## Dimensions

Rated Capacity	A	B	C	D	E	F	G	H	I
lb/in									
250 to 5,000 SE	8.00	5.00	6.00	4.50	3.50	4.75	4.00	7.00	0.63

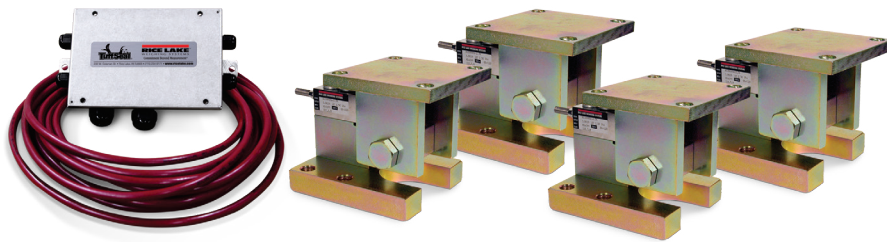
SE refers to small envelope



WEIGH MODULES

# RL1800 Series

Mild Steel/Stainless Steel, Weigh Modules

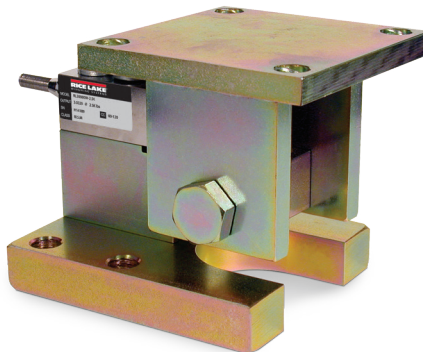


Picture is a representation of actual product.

## Load Cell Approvals



Except 250lb



## Complete Kit Includes

- Three or four RL1800 mild steel or stainless steel compression mounts with NTEP Certified RL32018 single-ended beam load cells, RL32018S used in stainless steel
- One JB4SS NEMA Type 4X stainless steel signal trim junction box
- 25 ft of hostile environment EL147HE SURVIVOR® load cell cable

## Standard Features

- Capacities (per module): 250 to 10,000 lb
- NTEP Certified cells in 500 to 10,000 lb capacities, except 3,000 lb
- Zinc plated mild steel/stainless steel construction
- Center-pivoted, tension loading design
- Self-checking, multi-directional movement
- Load is suspended on high-strength bolt instead of wire rope
- Design incorporates spherical washers for self centering

## Applications

- Conveyors
- Medium-capacity tanks and hoppers
- Mixers and blenders
- Process measurement and control

WEIGH MODULES

## Mild Steel Order Information

Load Rating (Per Module)	Part #	Price
<b>Single Module (Does NOT Include Load Cell)</b>		
250 to 5,000 lb SE	<b>17817</b>	\$399.00
5,000 LE to 10,000 lb	<b>17819</b>	\$428.00
<b>3-Module Kit</b>		
250 lb*	<b>18075</b>	\$2,350.00
500 lb	<b>18076</b>	\$2,350.00
1,000 lb	<b>18077</b>	\$2,350.00
2,000 lb	<b>18078</b>	\$2,350.00
2,500 lb	<b>18079</b>	\$2,350.00
3,000 lb	<b>18080</b>	\$2,350.00
4,000 lb	<b>18081</b>	\$2,350.00
5,000 lb SE	<b>18082</b>	\$2,350.00
5,000 lb LE	<b>18083</b>	\$2,700.00
10,000 lb	<b>18084</b>	\$2,700.00
<b>4-Module Kit</b>		
250 lb*	<b>18085</b>	\$3,050.00
500 lb	<b>18086</b>	\$3,050.00
1,000 lb	<b>18087</b>	\$3,050.00
2,000 lb	<b>18088</b>	\$3,050.00
2,500 lb	<b>18089</b>	\$3,050.00
3,000 lb	<b>18090</b>	\$3,050.00
4,000 lb	<b>18091</b>	\$3,050.00
5,000 lb SE	<b>18092</b>	\$3,050.00
5,000 lb LE	<b>18093</b>	\$3,500.00
10,000 lb	<b>18094</b>	\$3,500.00

SE=Small envelope; LE=Large envelope

\* Non-NTEP

## Stainless Steel Order Information

Load Rating (Per Module)	Part #	Price
<b>Single Module (Does NOT Include Load Cell)</b>		
250 to 4,000 lb	<b>17818</b>	\$640.00
5,000 to 10,000 lb	<b>17820</b>	\$675.00
<b>3-Module Kit</b>		
1,000 lb	<b>18095</b>	\$3,190.00
2,000 lb	<b>18096</b>	\$3,190.00
2,500 lb	<b>18097</b>	\$3,190.00
4,000 lb	<b>18099</b>	\$3,190.00
5,000 lb LE	<b>18100</b>	\$3,445.00
10,000 lb	<b>18101</b>	\$3,445.00
<b>4-Module Kit</b>		
1,000 lb	<b>18102</b>	\$4,250.00
2,000 lb	<b>18103</b>	\$4,250.00
2,500 lb	<b>18104</b>	\$4,250.00
4,000 lb	<b>18106</b>	\$4,250.00
5,000 lb LE	<b>18107</b>	\$4,595.00
10,000 lb	<b>18108</b>	\$4,595.00
<b>Dummy Cell</b>		
Dummy load cell 1 k to 5 k SE	<b>22980</b>	\$53.00

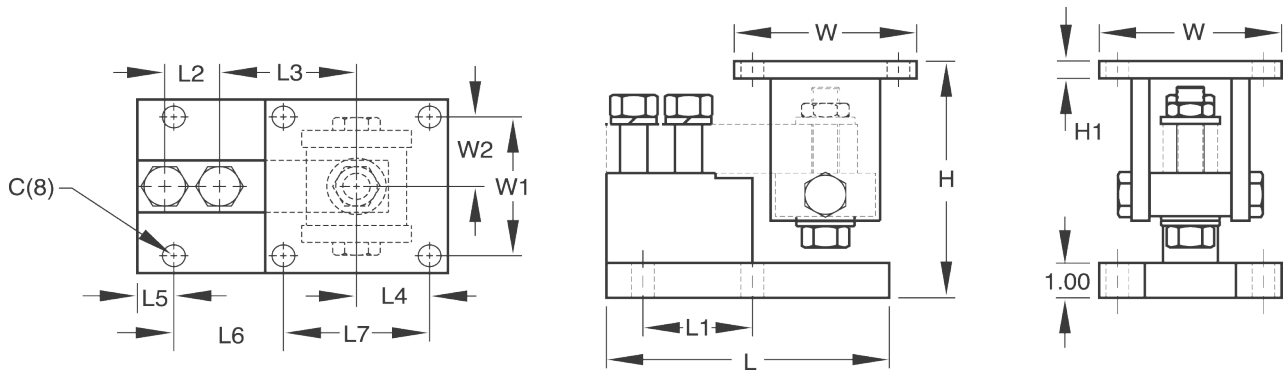


# RL1800 Series

Mild Steel/Stainless Steel, Weigh Modules

## Dimensions

Rated Capacity	C	H Min/Max	H1	L	L1	L2	L3	L4	L5	L6	L7	W	W1	W2
<b>Mild Steel Construction</b>														
lb/in														
250 to 5,000 SE	0.62	5.25/5.56	0.50	6.00	2.00	1.00	3.00	2.00	0.68	1.94	4.00	5.00	4.00	2.00
5,000 LE to 10,000	0.62	6.12/6.62	0.50	7.75	3.00	1.50	3.75	2.00	1.03	2.97	4.00	5.00	4.00	2.00
<b>Stainless Steel Construction</b>														
lb/in														
1,000 to 4,000	0.62	5.25/5.56	0.50	6.00	2.00	1.00	3.00	2.00	0.68	1.94	4.00	5.00	4.00	2.00
5,000 to 10,000	0.62	6.12/6.62	0.50	7.75	3.00	1.50	3.75	2.00	1.03	2.97	4.00	5.00	4.00	2.00



WEIGH MODULES

# RL1800 Series with MLC Coated Load Cell

Stainless Steel, Weigh Modules



Picture is a representation of actual product.

## Load Cell Approvals



## Complete Kit Includes

- Three or four RL1800 stainless steel compression mounts with MLC coated RL32018 NTEP Certified single-ended beam load cells
- One JB4SS NEMA Type 4X stainless steel signal trim junction box
- 25 ft of hostile environment EL147HE SURVIVOR® load cell cable

## Standard Features

- Capacities (per module): 1,000 to 10,000 lb
- NTEP Certified cells in 1,000 to 10,000 lb capacities
- Stainless steel mounts
- Center-pivoted, tension loading design
- Self-checking, multi-directional movement
- Load is suspended on high-strength bolt instead of wire rope
- Design incorporates spherical washers for self centering
- Coated load cells for corrosion protection

## Applications

- Conveyors
- Medium-capacity tanks and hoppers

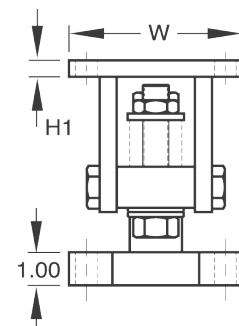
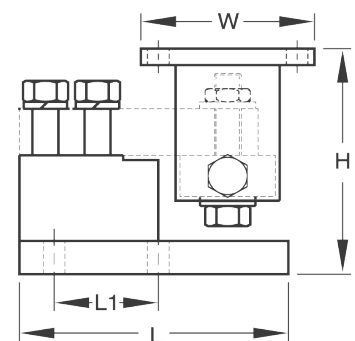
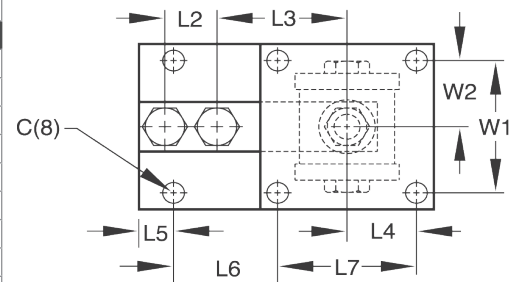
## Stainless Steel Order Information

Load Rating (Per Module)	Part #	Price
<b>Single Module (Does NOT Include Load Cell)</b>		
1,000 to 4,000 lb	17818	\$640.00
5,000 to 10,000 lb	17820	\$675.00
<b>3-Module Kit</b>		
1,000 lb	219894	\$3,150.00
1,500 lb	219896	\$3,150.00
2,000 lb	219898	\$3,150.00
2,500 lb	219900	\$3,150.00
3,000 lb	219902	\$3,150.00
4,000 lb	219904	\$3,150.00
5,000 SE lb	219906	\$3,150.00
5,000 LE lb	219908	\$3,540.00
10,000 lb	219910	\$3,540.00
<b>4-Module Kit</b>		
1,000 lb	219895	\$4,140.00
1,500 lb	219897	\$4,140.00
2,000 lb	219899	\$4,140.00
2,500 lb	219901	\$4,140.00
3,000 lb	219903	\$4,140.00
4,000 lb	219905	\$4,140.00
5,000 SE lb	219907	\$4,140.00
5,000 LE lb	219909	\$4,650.00
10,000 lb	219911	\$4,650.00

SE=Small envelope; LE=Large envelope

## Dimensions

Rated Capacity	C	H Min/Max	H1	L	L1	L2	L3	L4	L5	L6	L7	W	W1	W2
<b>lb/in</b>														
1,000 to 5,000 SE	0.62	5.25/5.56	0.50	6.00	2.00	1.00	3.00	2.00	0.68	1.94	4.00	5.00	4.00	2.00
5,000 LE to 10,000	0.62	6.12/6.62	0.50	7.75	3.00	1.50	3.75	2.00	1.03	2.97	4.00	5.00	4.00	2.00



WEIGH MODULES

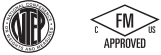
# RL1900 Series

## Stainless Steel, Weigh Modules



Picture is a representation of actual product.

### Load Cell Approvals

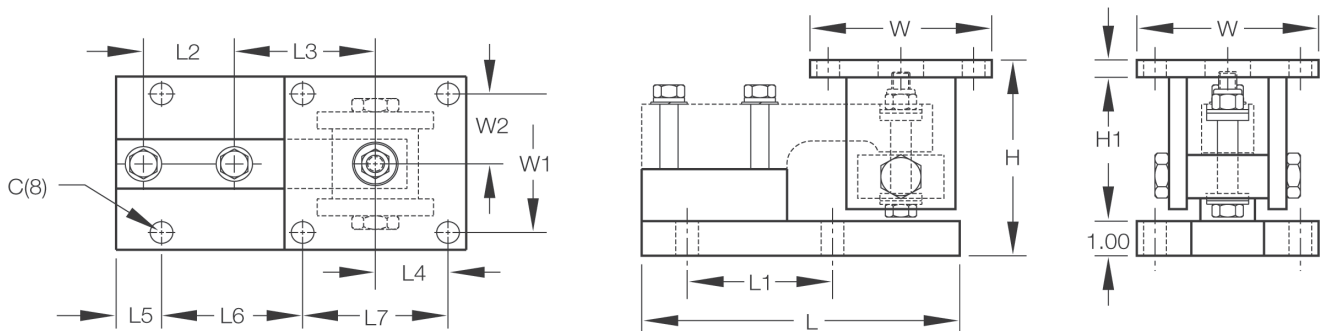


### Order Information

Load Rating (Per Module)	Part #	Price
<b>Single Module (Does NOT Include Load Cell)</b>		
1,000 to 5,000 lb	17841	\$700.00
10,000 lb	17843	\$760.00
<b>3-Module Kit</b>		
1,000 lb	18109	\$4,285.00
2,000 lb	18110	\$4,285.00
5,000 lb	18111	\$4,285.00
10,000 lb	18112	\$4,770.00
<b>4-Module Kit</b>		
1,000 lb	18113	\$5,710.00
2,000 lb	18114	\$5,710.00
5,000 lb	18115	\$5,710.00
10,000 lb	18116	\$5,710.00

### Dimensions

Rated Capacity C	H Min/Max	H1	L	L1	L2	L3	L4	L5	L6	L7	W	W1	W2	
lb/in														
1,000 to 5,000	0.62	5.38/5.62	0.50	8.75	4.00	2.50	3.88	2.00	1.12	4.00	4.00	5.00	4.00	2.00
10,000	0.81	6.88/7.50	1.00	9.75	5.00	2.63	4.88	2.25	1.00	5.00	4.50	6.00	4.50	2.25



### Complete Kit Includes

- Three or four RL1900 stainless steel compression mounts with RLSSB NTEP Certified welded stainless steel single-ended beam load cells
- One JB4SS NEMA Type 4X stainless steel signal trim junction box
- 25 ft of hostile environment EL147HE SURVIVOR® load cell cable

### Standard Features

- Capacities (per module): 1,000 to 10,000 lb
- NTEP Certified load cells, 1:5000d, Class III single cell
- Stainless steel construction
- Center-pivoted, tension loading design
- Welded-seal stainless steel load cells, IP67
- Self-checking, multi-directional movement
- Easy load cell replacement
- Load is suspended on high-strength bolt instead of wire rope
- Design incorporates spherical washers
- Compatible with VPG® Reverse SSB load cells

### Applications

- Medium-capacity tanks, bins and hoppers
- Washdown or corrosive applications

WEIGH MODULES

# RLTM

## Stainless Steel, Tank Weigh Modules



Picture is a representation of actual product.

### Load Cell Approvals



### Order Information

Load Rating (Per Module)	Part #	Price
<b>Single Module (Includes Load Cell)</b>		
500 lb	159288	\$1,085.00
1,250 lb	159289	\$1,085.00
2,500 lb	159290	\$1,085.00
5,000 lb	159291	\$1,310.00
10,000 lb	159292	\$1,310.00
<b>3-Module Kit</b>		
500 lb	162942	\$3,375.00
1,250 lb	162944	\$3,375.00
2,500 lb	162945	\$3,375.00
5,000 lb	162946	\$4,180.00
10,000 lb	162947	\$4,180.00
<b>4-Module Kit</b>		
500 lb	162948	\$4,465.00
1250 lb	162949	\$4,465.00
2500 lb	162950	\$4,465.00
5000 lb	162951	\$5,375.00
10,000 lb	162953	\$5,375.00

### Complete Kit Includes

- Three or four Rice Lake RLTM stainless steel mounting assemblies with RL32018S-T NTEP Certified, welded-seal stainless steel load cells
- One JB4SS NEMA Type 4X stainless steel signal trim junction box
- 25 ft of hostile environment EL147HE SURVIVOR® load cell cable

### Standard Features

- Capacities (per module) 500 to 10,000 lb
- NTEP Certified load cells, 1:5,000 d, Class III multiple cell
- Stainless steel construction
- Overload and uplift protection
- Rocker pin loading
- Integral lateral stops

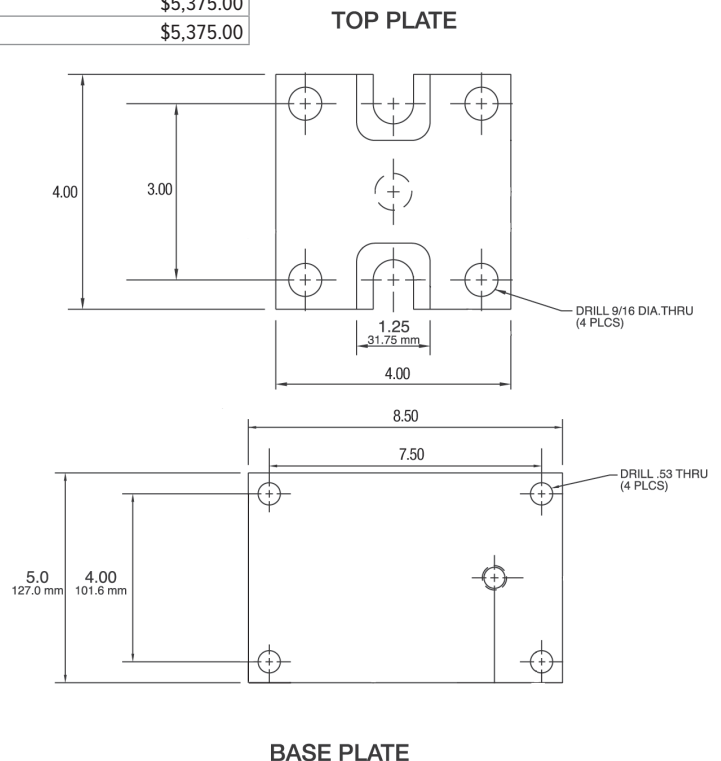
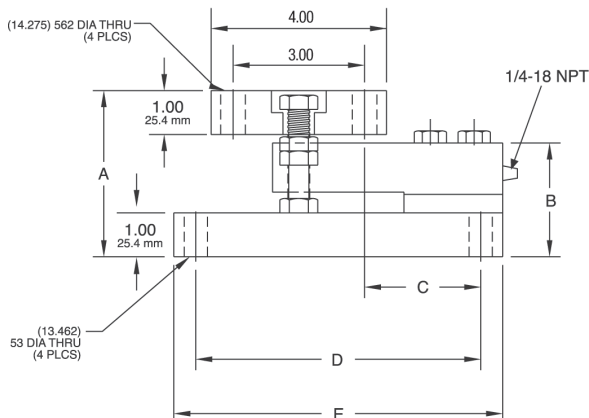
### Applications

- Lower capacity tank and vessel weighing
- Process control and batching

WEIGH MODULES

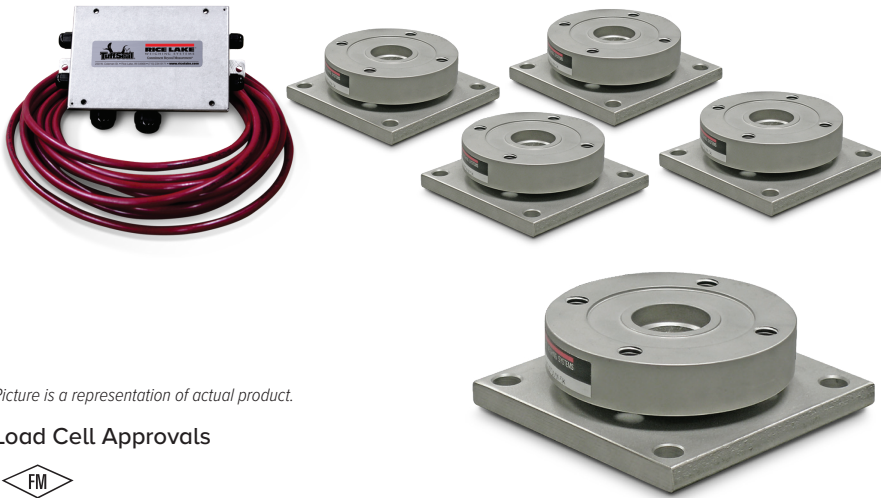
### Dimensions

Rated Capacity	A	B	C	D	E
500 to 2,500	3.77	2.59	2.62	6.50	7.50
5,000	3.99	2.83	2.62	6.50	7.50
10,000	4.27	3.08	3.88	7.50	8.50



# RL9000TWM Series

Stainless Steel, Weighing Assembly



Picture is a representation of actual product.

## Load Cell Approvals



## Complete Kit Includes

- Three or four stainless steel mounting assemblies with RL9000TWM compression disk load cells
- One JB4SS NEMA Type 4X stainless steel signal trim junction box
- 25 ft of hostile environment EL147HE SURVIVOR® load cell cable

## Standard Features

- Capacities (per module): 1,000 to 450,000 lb
- Stainless steel construction
- Very low profile design
- Self-centering
- Self-checking assembly
- Offers 100% sideload, 100% uplift and 150% static safe load and 300% ultimate static overload protection
- Weighs accurately with up to 3° non-parallel load

## Applications

- Tank, hopper or vessel weighing

## Optional Features

- Stainless steel top plates (150,000 to 450,000 lb have mild steel painted base plate)

## Specifications

### Full Scale Output:

3.0 ( $\pm 0.1\%$ ) mV/V

### Bridge Resistance:

350 ohm

### Material/Finish:

Stainless steel

### Temperature:

Operating:  
0 °F to 150 °F (-17 °C to 65 °C)

### Seal Type:

Welded-seal, IP67

### Safe Overload:

150% full scale

### Rated Excitation:

5 to 10 VDC

### Nonlinearity:

1 to 100 K: 0.05% FS  
150 to 450 K: 0.1% FS

### Insulation Resistance:

5,000 megohm

### Non-repeatability:

1 to 100 K: 0.02% full scale  
150 to 450 K: 0.03% full scale

### Cable Length:

25 ft

### Deflection at Capacity:

1 to 15 K: 0.002 in  
20 to 50 K: 0.004 in  
60 to 100 K: 0.007 in  
150 to 200 K: 0.007 in  
250 to 450 K: 0.009 in

### Cable Color Code:

Green +Excitation  
Black -Excitation  
White +Signal  
Red -Signal

### Warranty:

Two-year limited

# RL9000TWM Series

Stainless Steel, Weighing Assembly

## Order Information

Load Rating (Per Module)	Part #	Price
<b>Single Module</b>		
1,000 lb	84353	\$710.00
2,500 lb	84354	\$710.00
5,000 lb	84355	\$710.00
10,000 lb	84356	\$710.00
15,000 lb	84357	\$710.00
20,000 lb	84358	\$1,350.00
25,000 lb	84359	\$1,350.00
35,000 lb	84360	\$1,350.00
50,000 lb	84361	\$1,350.00
60,000 lb	84362	\$2,255.00
75,000 lb	84363	\$2,255.00
100,000 lb	84364	\$2,255.00
150,000 lb	84365	\$4,600.00
200,000 lb	84366	\$4,600.00
250,000 lb	84368	\$6,750.00
300,000 lb	84369	\$6,750.00
400,000 lb	84370	\$6,750.00
450,000 lb	84371	\$6,750.00
<b>3-Module Kit</b>		
1,000 lb	98974	\$2,355.00
2,500 lb	98980	\$2,355.00
5,000 lb	98981	\$2,355.00
10,000 lb	98982	\$2,355.00
15,000 lb	98983	\$2,355.00
20,000 lb	98984	\$4,275.00
25,000 lb	98985	\$4,275.00
35,000 lb	98986	\$4,275.00
50,000 lb	98987	\$4,275.00
60,000 lb	98988	\$6,930.00
75,000 lb	98989	\$6,930.00
100,000 lb	98990	\$6,930.00
150,000 lb	98991	\$13,935.00
200,000 lb	98992	\$13,935.00
250,000 lb	98993	\$20,415.00
300,000 lb	98994	\$20,415.00
400,000 lb	98995	\$20,415.00
450,000 lb	98996	\$20,415.00
<b>4-Module Kit</b>		
1,000 lb	98997	\$2,970.00
2,500 lb	98998	\$2,970.00
5,000 lb	98999	\$2,970.00
10,000 lb	99000	\$2,970.00
15,000 lb	99001	\$2,970.00
20,000 lb	99002	\$5,530.00
25,000 lb	99003	\$5,530.00
35,000 lb	99004	\$5,530.00
50,000 lb	99005	\$5,530.00
60,000 lb	99006	\$9,110.00
75,000 lb	99007	\$9,110.00
100,000 lb	99008	\$9,110.00
150,000 lb	99009	\$18,435.00
200,000 lb	99010	\$18,435.00
250,000 lb	99011	\$27,050.00
300,000 lb	99012	\$27,050.00
400,000 lb	99013	\$27,050.00
450,000 lb	99014	\$27,050.00

Load Rating (Per Module)	Part #	Price
<b>Top Plates (Stainless Steel) with bolts</b>		
1,000 to 15,000 lb	91207	\$125.00
20,000 to 50,000 lb	91210	\$285.00
60,000 to 100,000 lb	91211	\$465.00
150,000 to 200,000 lb	91213	\$740.00
250,000 to 450,000 lb	91215	\$1,710.00
<b>Top Plates (Mild Steel) with bolts</b>		
1,000 to 15,000 lb	124758	\$60.00
20,000 to 50,000 lb	125141	\$115.00
60,000 to 100,000 lb	124759	\$165.00
150,000 to 200,000 lb	124760	\$262.00
250,000 to 450,000 lb	124761	\$388.00
<b>Dummy Weigh Modules (non-functioning)</b>		
1,000 to 10,000 lb	158749	\$100.00
15,000 lb	158750	\$130.00
20,000 to 50,000 lb	158752	\$145.00
60,000 to 100,000 lb	158753	\$160.00
150,000 to 200,000 lb	158754	\$410.00
250,000 to 450,000 lb	158755	\$435.00

150,000 to 450,000 lb have mild steel painted base plates

## Order Information

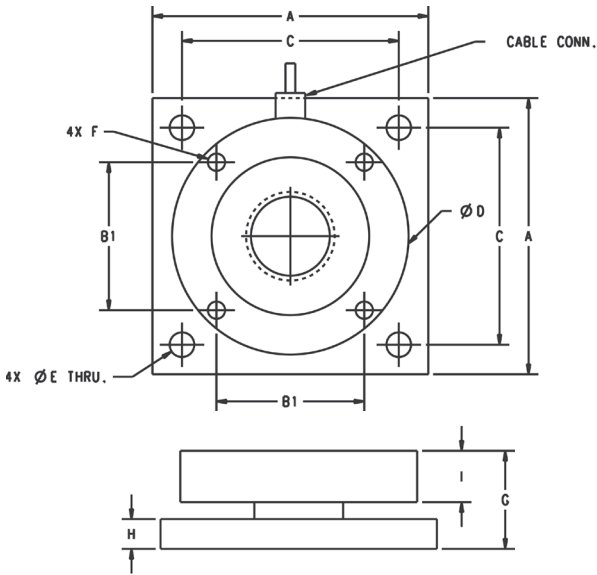
Capacity	Thickness	Material	Part #	Price
<b>Shims</b>				
1,000 to 15,000 lb	0.0625	SST	167001	\$6.00
1,000 to 15,000 lb	0.125	SST	167002	\$8.00
1,000 to 15,000 lb	0.250	SST	167003	\$11.00
1,000 to 15,000 lb	0.0625	MS	167004	\$2.50
1,000 to 15,000 lb	0.125	MS	167005	\$2.75
1,000 to 15,000 lb	0.250	MS	167006	\$3.25
20,000 to 50,000 lb	0.0625	SST	167008	\$15.00
20,000 to 50,000 lb	0.125	SST	167009	\$22.00
20,000 to 50,000 lb	0.250	SST	167010	\$34.00
20,000 to 50,000 lb	0.0625	MS	167011	\$9.00
20,000 to 50,000 lb	0.125	MS	167012	\$9.00
20,000 to 50,000 lb	0.250	MS	167013	\$10.00
60,000 to 100,000 lb	0.0625	SST	167014	\$24.00
60,000 to 100,000 lb	0.125	SST	167015	\$34.00
60,000 to 100,000 lb	0.250	SST	167016	\$53.00
150,000 to 200,000 lb	0.0625	SST	167020	\$32.00
150,000 to 200,000 lb	0.125	SST	167021	\$40.00
150,000 to 200,000 lb	0.250	SST	167022	\$65.00
250,000 to 450,000 lb	0.0625	SST	167026	\$40.00
250,000 to 450,000 lb	0.125	SST	167027	\$58.00
250,000 to 450,000 lb	0.250	SST	167028	\$75.00

Shims match dimensions of base plate and optional top plate

WEIGH MODULES

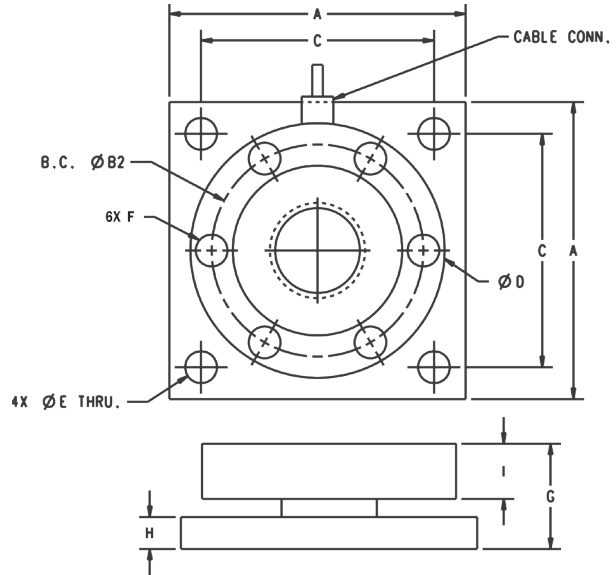
# RL9000TWM Series

Stainless Steel, Weighing Assembly



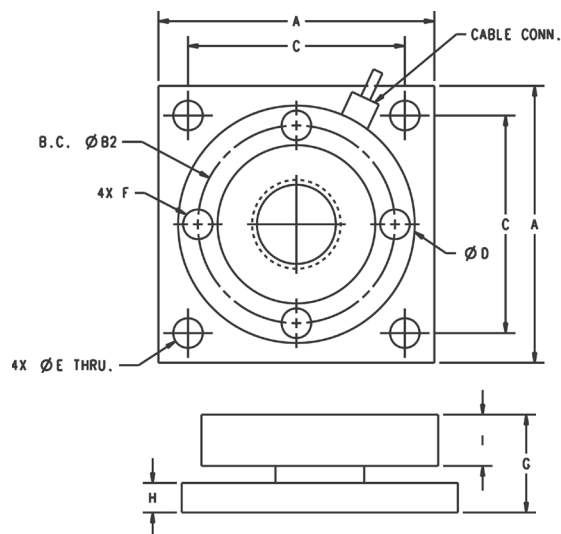
## Dimensions

Rated Capacity	A	B1	C	D	E	F	G	H	I	Conduit Adapter
1,000 to 10,000	4.00	2.00	3.25	3.50	0.40	3/8-16 UNC	1.35	0.375	0.75	-
15,000	4.00	2.00	3.25	3.50	0.40	3/8-16 UNC	1.60	0.625	0.75	-
20,000 to 50,000	7.00	3.75	5.50	6.00	0.63	1/2-13 UNC	2.48	0.75	1.30	1/2-14 NPT
60,000 to 100,000	8.00	4.25	6.50	7.00	0.81	3/4-16 UNC	2.50	1.00	1.30	1/2-14 NPT



## Dimensions

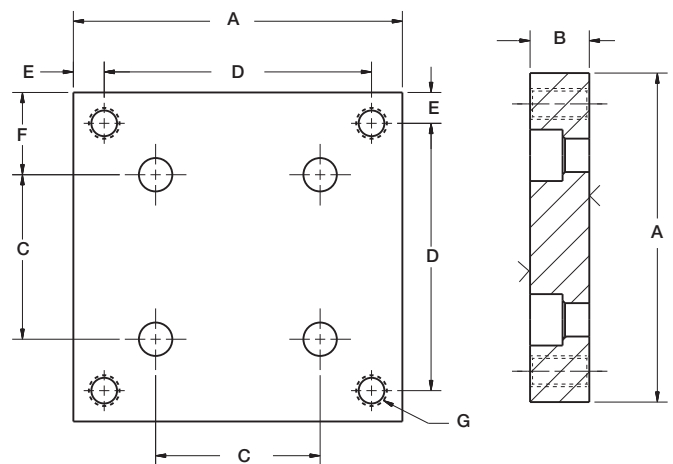
Rated Capacity	A	B2	C	D	E	F	G	H	I	Conduit Adapter
250,000 to 450,000	11.00	7.75	9.00	9.00	1.30	7/8-14 UNF	6.42	3.00	2.25	1/2-14 NPT



## Dimensions

Rated Capacity	A	B2	C	D	E	F	G	H	I	Conduit Adapter
150,000 to 200,000	10.0	7.825	8.00	9.00	1.10	1-14 UNF	4.75	2.00	1.70	1/2-14 NPT

## Optional Top Plates



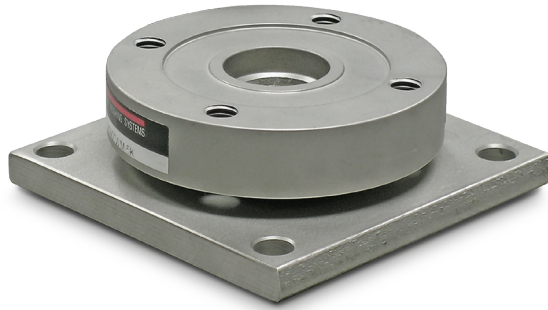
## Dimensions

Rated Capacity	A	B	C	D	E	F	G
1,000 to 15,000	4.00	0.72	2.00	3.25	0.38	1.00	3/8-16 UNC
20,000 to 50,000	7.00	0.97	3.75	5.50	0.75	1.62	5/8-11 UNC
60,000 to 100,000	8.00	1.46	4.25	6.50	0.75	1.88	3/4-16 UNF
150,000 to 200,000	10.00	1.94	5.53	8.00	1.00	2.25	1-14 UNS
250,000 to 450,000	11.00	2.94	7.75 B.C.	9.00	1.00	1.00	1-1/4-12 UNF

WEIGH MODULES

# RL9000TWM-HT

Stainless Steel, High Temperature, Weigh Module



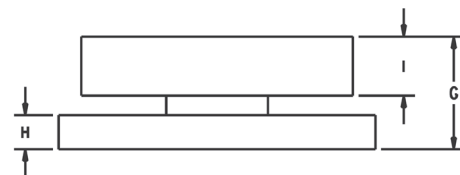
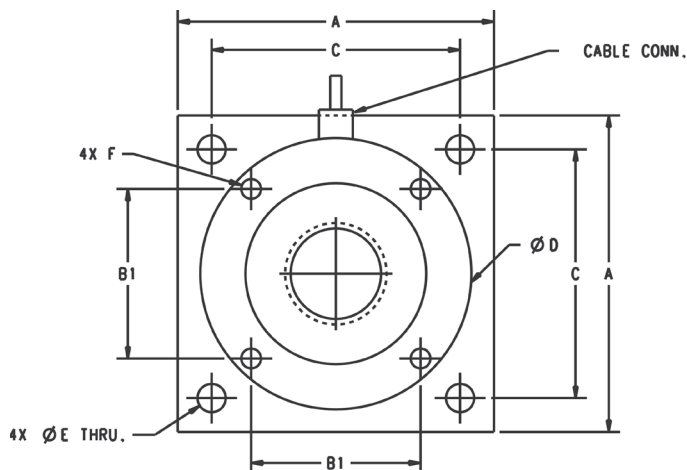
Picture is a representation of actual product.

## Order Information

Load Rating (per module)	Part #	Price
<b>Single Module</b>		
1,000 lb	117050	\$1,285.00
2,500 lb	117051	\$1,285.00
5,000 lb	117052	\$1,285.00
10,000 lb	117140	\$1,285.00
15,000 lb	117053	\$1,285.00
20,000 lb	117054	\$2,045.00
25,000 lb	117055	\$2,045.00
35,000 lb	117056	\$2,045.00
50,000 lb	117057	\$2,045.00
<b>Top Plates (Stainless Steel) with bolts</b>		
1,000 to 15,000 lb	91207	\$125.00
20,000 to 50,000 lb	91210	\$285.00
<b>Top Plates (Mild Steel) with bolts</b>		
1,000 to 15,000 lb	124758	\$60.00
20,000 to 50,000 lb	125141	\$115.00

## Dimensions

Rated Capacity	A	B1	C	D	E	F	G	H	I	Conduit Adapter
lb/in										
1,000 to 10,000	4.00	2.00	3.25	3.50	0.40	3/8-16 UNC	1.35	0.375	0.75	-
15,000	4.00	2.00	3.25	3.50	0.40	3/8-16 UNC	1.60	0.625	0.75	-
20,000 to 50,000	7.00	3.75	5.50	6.00	0.63	1/2-13 UNC	2.48	0.750	1.30	1/2-14NPT



## Standard Features

- Capacities: 1,000 to 50,000 lb
- Stainless steel construction
- Very low profile design
- Self-centering
- Self-checking assembly
- Offers 100% side load, 100% uplift, 150% safe load and 300% ultimate overload protection
- Weighs accurately with up to 3° non-parallel load

## Applications

- Tank, hopper, or vessel weighing
- High temperature applications

## Optional Features

- Stainless steel top plates
- Higher capacities available upon request

## Specifications

### Full Scale Output:

3.0 (± 0.1%) mV/V

### Bridge Resistance:

700 ohm

### Material/Finish:

Stainless steel

### Temperature:

Operating:

0 °F to 400 °F (-17 °C to 204 °C)

### Seal Type:

Welded seal, IP67

### Safe Overload:

150% full scale

### Nonlinearity:

0.01% full scale

### Insulation Resistance:

5,000 megohm

### Non-repeatability:

0.02% full scale

### Deflection at Capacity:

1 to 15 K: 0.002 in  
20 to 50 K: 0.004 in

### Cable Length:

25 ft PTFE jacket

### Cable Color Code:

Green +Excitation  
Black -Excitation  
White +Signal  
Red -Signal

### Warranty:

Two-year limited



# RL2200 Series

Mild Steel, Weighing Assembly



Picture is a representation of actual product.

## Complete Kit Includes

- Three or four RL2200 high-alloy, zinc-plated steel mounting assemblies with RL2200 compression disk load cells.
- One JB4SS NEMA Type 4X stainless steel signal trim junction box
- 25 ft of hostile environment EL147HE SURVIVOR® load cell cable

## Standard Features

- Capacities (per module): 2,500 to 50,000 lb
- Low-profile design
- Self-centering in all directions, able to withstand excessive side loads
- Self-checking assembly

## Applications

- Tank, hopper or vessel weighing
- Belt or roller conveyors
- Scale platforms and screw feeders

## Specifications

### Full Scale Output:

4.0 mV/V  
2.0 mV/V (2,500 lb)

### Bridge Resistance:

350 ohm nominal

### Material/Finish:

High-alloy steel, painted

### Temperature:

Compensated:  
15 °F to 115 °F (-9 °C to 46 °C)

### Seal Type:

Environmentally sealed

### Safe Overload:

150% full scale

### Rated Excitation:

5 to 10 VDC (20 V maximum)

### Nonlinearity:

0.05% full scale

### Hysteresis:

0.03% full scale

### Insulation Resistance:

5,000 megohm

### Cable Length:

30 ft

### Cable Color Code:

Red +Excitation  
Black -Excitation  
White +Signal  
Green -Signal

### Warranty:

Two-year limited

WEIGH MODULES

## Order Information

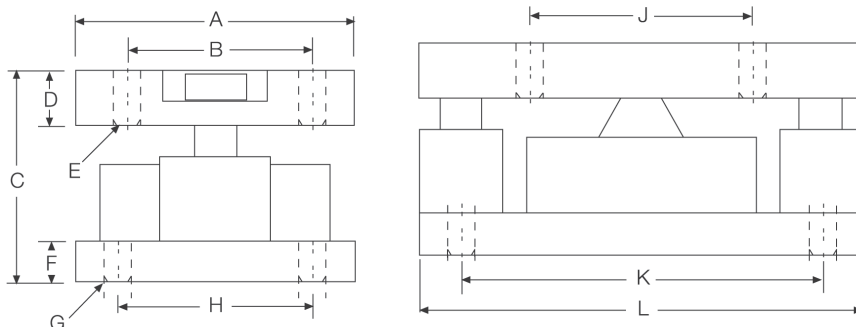
Load Rating (Per Module)	Part #	Price
<b>Single Module</b>		
2,500 lb	76656	\$1,965.00
5,000 lb	45849	\$1,965.00
10,000 lb	45848	\$1,965.00
25,000 lb	45847	\$2,650.00
50,000 lb	45846	\$2,650.00
<b>3-Module Kit</b>		
2,500 lb	76897	\$5,875.00
5,000 lb	42811	\$5,875.00
10,000 lb	42812	\$5,875.00
25,000 lb	42813	\$7,580.00
50,000 lb	42814	\$7,580.00
<b>4-Module Kit</b>		
2,500 lb	76898	\$7,770.00
5,000 lb	42815	\$7,770.00
10,000 lb	42816	\$7,770.00
25,000 lb	42817	\$8,995.00
50,000 lb	42818	\$8,995.00

## Replacement Load Cell Order Information

Load Rating (Per Module)	Part #	Price
2,500 lb	76654	\$1,325.00
5,000 lb	45708	\$1,325.00
10,000 lb	45709	\$1,325.00
25,000 lb	45710	\$1,669.00
50,000 lb	45711	\$1,669.00

## Dimensions

Rated Capacity	A	B	C	D	E	F	G	H	J	K	L
lb/in											
2,500 to 10,000	5.00	3.50	4.00	1.00	0.52	1.00	0.52	3.50	4.00	6.50	8.00
25,000 to 50,000	6.00	4.50	5.00	1.25	0.78	1.00	0.78	4.50	5.00	7.75	10.00



# RL2200SS Series

Stainless Steel, Weighing Assembly



Picture is a representation of actual product.

## Order Information

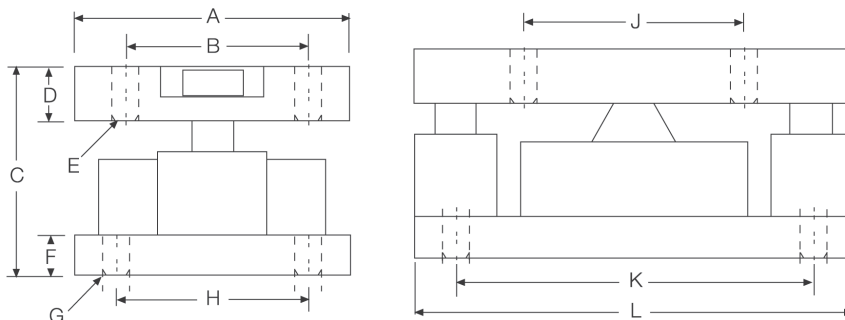
Load Rating (Per Module)	Part #	Price
<b>Single Module</b>		
2,500 lb	76657	\$2,765.00
5,000 lb	45845	\$2,765.00
10,000 lb	45844	\$2,765.00
25,000 lb	45843	\$4,680.00
50,000 lb	45842	\$4,680.00
<b>3-Module Kit</b>		
2,500 lb	76899	\$7,865.00
5,000 lb	46478	\$7,865.00
10,000 lb	46479	\$7,865.00
25,000 lb	46480	\$13,710.00
50,000 lb	46481	\$13,710.00
<b>4-Module Kit</b>		
2,500 lb	76900	\$10,400.00
5,000 lb	46482	\$10,400.00
10,000 lb	46483	\$10,400.00
25,000 lb	46484	\$17,890.00
50,000 lb	46485	\$17,890.00

## Replacement Load Cell Order Information

Load Rating (Per Module)	Part #	Price
2,500 lb	76655	\$1,563.00
5,000 lb	45712	\$1,563.00
10,000 lb	45713	\$1,563.00
25,000 lb	45714	\$2,565.00
50,000 lb	45715	\$2,565.00

## Dimensions

Rated Capacity	A	B	C	D	E	F	G	H	J	K	L
lb/in											
2,500 to 10,000	5.00	3.50	4.00	1.00	0.52	1.00	0.52	3.50	4.00	6.50	8.00
25,000 to 50,000	6.00	4.50	5.00	1.25	0.78	1.00	0.78	4.50	5.00	7.75	10.00



## Complete Kit Includes

- Three or four RL2200 stainless steel mounting assemblies with RL2200SS stainless steel, hermetically sealed, compression disk load cells
- One JB4SS NEMA Type 4X stainless steel signal trim junction box
- 25 ft of hostile environment EL147HE SURVIVOR® load cell cable

## Applications

- Tank, hopper or vessel weighing
- Belt or roller conveyors
- Scale platforms and screw feeders

## Specifications

### Full Scale Output:

- 4.0 mV/V
- 2.0 mV/V (2,500 lb)

### Bridge Resistance:

- 350 ohm nominal

### Material/Finish:

- Stainless steel

### Temperature:

- Compensated:
- 15 °F to 115 °F (9 °C to 46 °C)

### Seal Type:

- Hermetically sealed, IP66/68

### Safe Overload:

- 150% full scale

### Rated Excitation:

- 5 to 10 VDC (20 V maximum)

### Nonlinearity:

- 0.05% full scale

### Hysteresis:

- 0.03% full scale

### Insulation Resistance:

- 5,000 megohm

### Cable Length:

- 30 ft

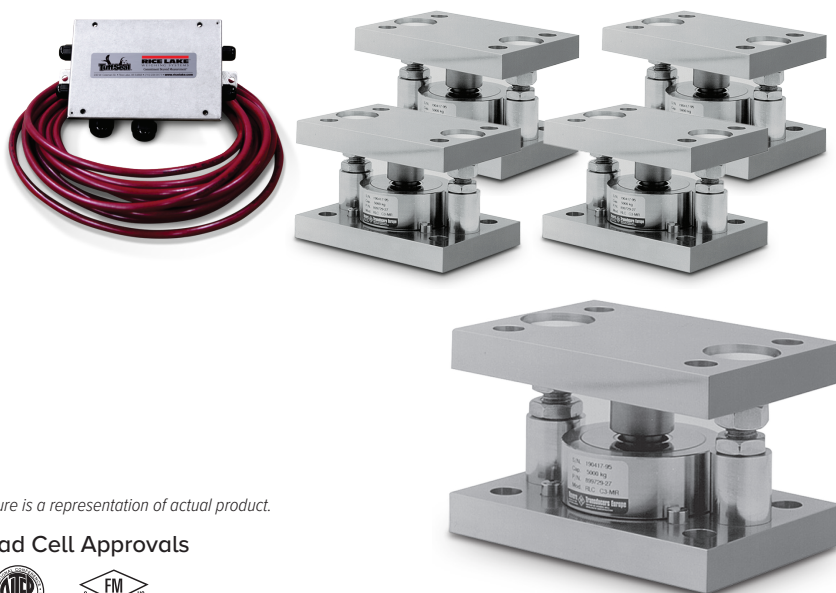
### Cable Color Code:

- Red +Excitation
- Black -Excitation
- White +Signal
- Green -Signal

### Warranty:

- Two-year limited

WEIGH MODULES



Picture is a representation of actual product.

### Load Cell Approvals



### Order Information

Load Rating (Per Module)	Part #	Price
<b>Single Module (Includes Load Cell)</b>		
0.5t	36401	\$1,198.00
1t	36402	\$1,198.00
2t	36403	\$1,383.00
3.5t	36404	\$1,383.00
5t	36405	\$1,383.00
<b>3-Module Kit</b>		
0.5t	36406	\$3,885.00
1t	36407	\$3,885.00
2t	36408	\$4,065.00
3.5t	36409	\$4,065.00
5t	36410	\$4,065.00
<b>4-Module Kit</b>		
0.5t	36411	\$5,083.00
1t	36412	\$5,083.00
2t	36413	\$5,422.00
3.5t	36414	\$5,422.00
5t	36415	\$5,422.00

### Replacement Rocker Pin Set\*

Load Rating (Per Module)	Part #	Price
250 kg to 1 t	170875	\$132.00
2 t to 5 t	170876	\$132.00

\*Kit includes upper cup, rocker pin and grease

### Dimensions

Rated Capacity	H	H1	H2	L	L1	L2	T	W	W1	W2
ton/mm										
0.5 to 1	80.0	20.0	15.0	150.0	15.0	120.0	14.0 (top plate)	100.0	70.0	15.0
2 to 5	100.0	20.0	20.0	160.0	20.0	120.0	13.8 (bottom plate)	110.0	70.0	20.0

### Complete Kit Includes

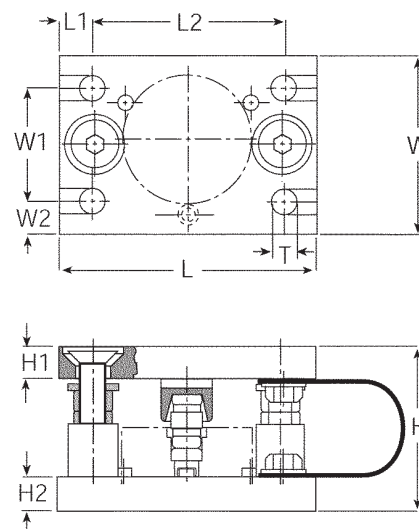
- Three or four RLC stainless steel compression mounts with RLC NTEP Certified stainless steel hermetically sealed compression disk load cells
- One JB4SS NEMA Type 4X stainless steel signal trim junction box
- 25 ft of hostile environment EL147HE SURVIVOR® load cell cable

### Standard Features

- Capacities (per module): 0.5 to 5 t
- mV/V/Ohm calibrated load cells eliminates the need for trimming
- Stainless steel construction
- Rocker pin design allows movement in all directions
- Easy load cell replacement
- Integral jacking/shipping bolts

### Applications

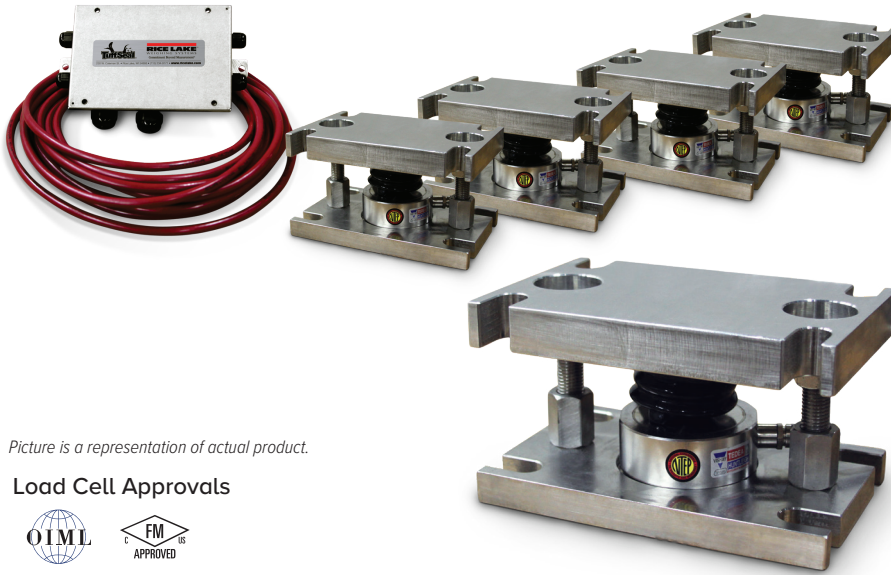
- Medium-capacity tanks, bins and hoppers
- Washdown or corrosive applications
- Process control and batch weighing



WEIGH MODULES

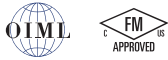
# 220 Universal Mount

Stainless Steel, Weigh Modules, VPG® Teda-Huntleigh®



Picture is a representation of actual product.

## Load Cell Approvals



## Complete Kit Includes

- Three or four 220 stainless steel compression mounts with 220 stainless steel hermetically sealed compression disk load cells
- One JB4SS NEMA Type 4X stainless steel signal trim junction box
- 25 ft of hostile environment EL147HE SURVIVOR® load cell cable

## Standard Features

- Capacities (per module): 5,000 to 30,000 kg
- mV/V/ohm calibrated load cells eliminates the need for trimming
- Stainless steel construction
- Easy load cell replacement
- Integral jacking/shipping bolts

## Applications

- Medium- to high-capacity tanks, bins and hoppers
- Washdown or corrosive applications
- Process control and batch weighing

## Order Information

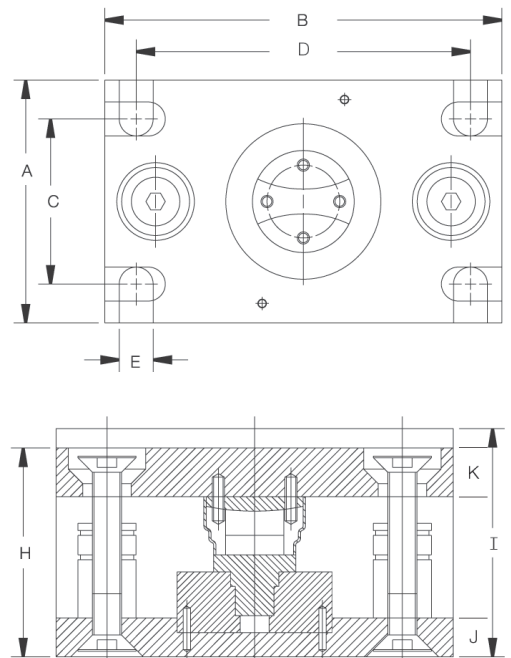
Load Rating (Per Module)	Part #	Price
<b>3-Module Kit (Includes Load Cell)</b>		
5,000 kg	66208	\$6,355.00
10,000 kg	66209	\$6,355.00
20,000 kg	66210	\$7,200.00
30,000 kg	66211	\$7,200.00
<b>4-Module Kit (Includes Load Cell)</b>		
5,000 kg	66212	\$8,369.00
10,000 kg	66213	\$8,369.00
20,000 kg	66214	\$9,672.00
30,000 kg	66215	\$9,672.00

## Replacement Mount Parts

Load Rating (Per Module)	Part #	Price
Saddle 5 t to 10 t	170879	\$132.00
Rolling cylinder 5 to 10t	170882	\$111.00
Load adapter 5 t	170880	\$117.00
Load adapter 10 t	170881	\$165.00
Rubber boot 5 to 10 t	171211	\$37.00
Saddle 20 to 30 t	170884	\$127.00
Rolling cylinder 20 to 30 t	170885	\$58.00
Load adapter 20 to 30 t	170883	\$111.00
Rubber boot 20 to 30 t	171212	\$32.00

## Dimensions

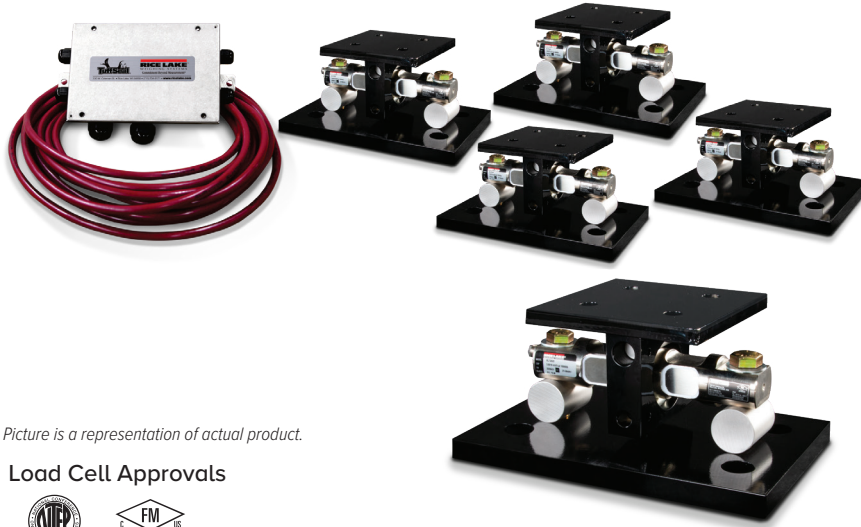
Rated Capacity	A	B	C	D	E	H	I	J	K
kg/mm									
5,000 to 10,000	127.0	203.0	90.0	170.0	18.0	107.0	Load Cell Replacement Height: 118.0 Operating Height: 107.0	19.1	25.4
20,000 to 30,000	152.0	245.0	115.0	208.0	24.0	148.0	Load Cell Replacement Height: 156.0 Operating Height: 148.1	31.8	25.4



WEIGH MODULES

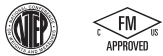
# EZ Mount 1 with RL72020

Mild Steel, Weigh Modules



Picture is a representation of actual product.

## Load Cell Approvals



## Order Information

Load Rating (Per Module)	Part #	Price
<b>Single Module (Does NOT Include Load Cell)</b>		
5,000 to 20,000 lb	<b>17823</b>	\$360.00
30,000 to 60,000 lb	<b>17824</b>	\$975.00
100,000 lb	<b>17850</b>	\$1,340.00
150,000 lb	<b>29012</b>	\$1,340.00
200,000 to 250,000 lb	<b>26068</b>	\$3,060.00
<b>3-Module Kit</b>		
5,000 lb	<b>208881</b>	\$3,310.00
10,000 lb	<b>208882</b>	\$3,310.00
20,000 lb	<b>208883</b>	\$3,310.00
30,000 lb	<b>208884</b>	\$5,350.00
40,000 lb	<b>208885</b>	\$5,350.00
50,000 lb	<b>208886</b>	\$5,350.00
60,000 lb	<b>208887</b>	\$5,350.00
100,000 lb	<b>208888</b>	\$8,620.00
150,000 lb	<b>208889</b>	\$8,620.00
<b>4-Module Kit</b>		
5,000 lb	<b>208892</b>	\$4,300.00
10,000 lb	<b>208893</b>	\$4,300.00
20,000 lb	<b>208894</b>	\$4,300.00
30,000 lb	<b>208895</b>	\$6,765.00
40,000 lb	<b>208896</b>	\$6,765.00
50,000 lb	<b>208897</b>	\$6,765.00
60,000 lb	<b>208898</b>	\$6,765.00
100,000 lb	<b>208899</b>	\$11,205.00
150,000 lb	<b>208900</b>	\$11,205.00

## VPG Revere 5103

## Order Information

Load Rating (Per Module)	Part #	Price
<b>3-Module Kit</b>		
5,000 lb	<b>18175</b>	\$3,420.00
10,000 lb	<b>18176</b>	\$3,420.00
20,000 lb	<b>18177</b>	\$3,420.00
30,000 lb	<b>32169</b>	\$5,465.00
40,000 lb	<b>32171</b>	\$5,465.00
50,000 lb	<b>18178</b>	\$5,625.00
60,000 lb	<b>18179</b>	\$5,625.00
100,000 lb	<b>18180</b>	\$8,735.00
150,000 lb	<b>18181</b>	\$8,735.00
<b>4-Module Kit</b>		
5,000 lb	<b>18182</b>	\$4,410.00
10,000 lb	<b>18183</b>	\$4,410.00
20,000 lb	<b>18184</b>	\$4,410.00
30,000 lb	<b>32170</b>	\$6,920.00
40,000 lb	<b>32172</b>	\$6,920.00
50,000 lb	<b>18185</b>	\$6,920.00
60,000 lb	<b>18186</b>	\$6,920.00
100,000 lb	<b>18187</b>	\$11,380.00
150,000 lb	<b>18188</b>	\$11,380.00
<b>Dummy Load Cells</b>		
5,000 to 20,000 lb	<b>33749</b>	\$90.00
30,000 to 60,000 lb	<b>74016</b>	\$122.00
100,000 lb	<b>94175</b>	\$265.00
150,000 lb	<b>158715</b>	\$265.00
<b>Grounding Kit</b>		
5,000 to 60,000 lb	<b>126419</b>	\$21.00

## Complete Kit Includes

- Three or four EZ Mount 1 mild steel compression mounts with RL72020 NTEP Certified double-ended shear beam load cells
- One JB4SS NEMA Type 4X stainless steel signal trim junction box
- 25 ft of hostile environment EL147HE SURVIVOR® load cell cable

## Standard Features

- Capacities (per module): 5,000 to 250,000 lb
- Unique sliding pin design compensates for thermal expansion/contraction
- Coated mild steel construction
- Self-checking
- Easy load cell replacement
- Simplified design allows bolting directly to tank and floor
- Center-loaded double-ended shear beam design
- Low-profile design
- Compatible with VPG® Revere 5103 load cell

## Applications

- Medium-to heavy-capacity tank and hopper weighing applications

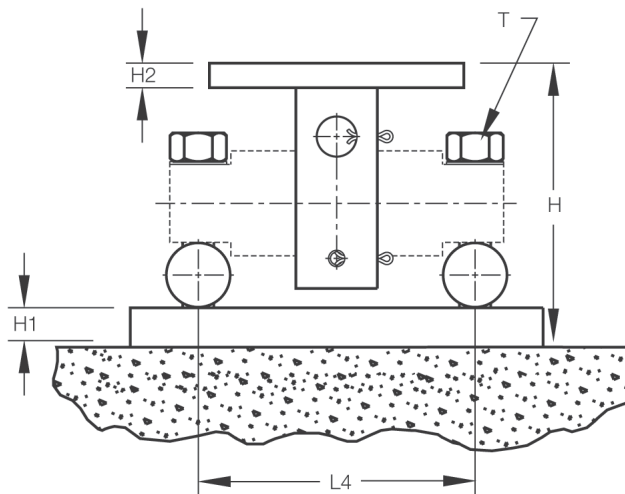
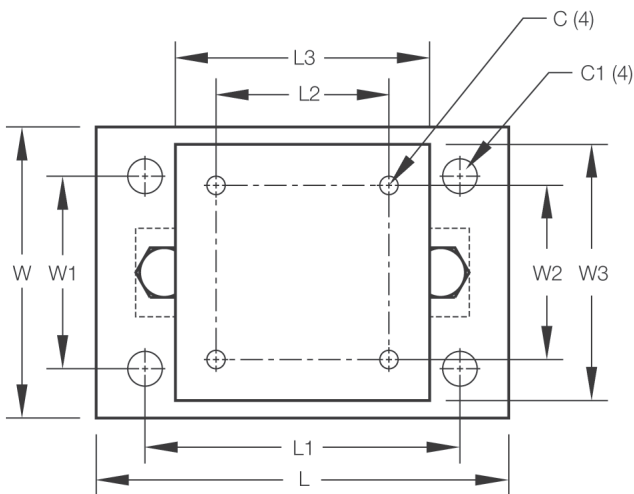
WEIGH MODULES

# EZ Mount 1 with RL72020

Mild Steel, Weigh Modules

## Dimensions

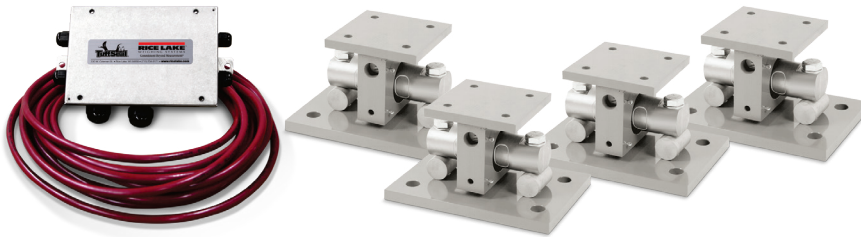
Rated Capacity	C	C1	H	H1	H2	L	L1	L2	L3	L4	T	W	W1	W2	W3
5,000 to 20,000	0.56	1.06	5.31	0.75	0.50	11.00	8.00	3.00	6.00	6.87	5/8-18 UNF	7.50	4.00	3.00	6.00
30,000 to 60,000	0.68	1.19	8.43	1.00	0.75	15.00	11.50	5.12	8.00	8.50	1-14 UNS	10.00	6.00	5.12	8.00
100,000 to 150,000	0.81	1.38	10.37	1.25	1.25	18.00	14.00	7.50	10.00	9.50	1-14 UNS	12.00	9.00	7.50	10.00
200,000 to 250,000	1.06	1.88	16.75	2.00	2.00	26.00	20.00	9.00	12.00	13.00	1 1/2-12 UNS	12.00	6.00	9.00	12.00



WEIGH MODULES

# EZ Mount 1 SS with RL72020SS

Stainless Steel, Weigh Modules



Picture is a representation of actual product.

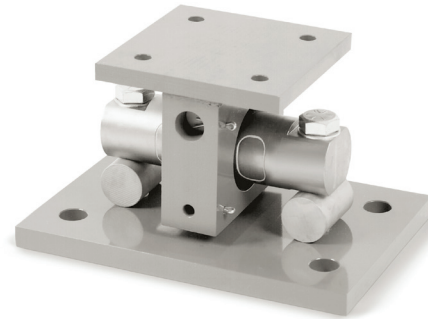
## Load Cell Approvals



## Order Information

Load Rating (Per Module)	Part #	Price
<b>Single Module (Does NOT Include Load Cell)</b>		
5,000 to 20,000 lb	<b>17943</b>	\$885.00
30,000 to 60,000 lb	<b>17944</b>	\$2,450.00
100,000 lb	<b>17945</b>	\$4,480.00
150,000 lb	<b>29011</b>	\$4,480.00
<b>3-Module Kit</b>		
5,000 lb*	<b>208914</b>	\$5,290.00
10,000 lb	<b>208917</b>	\$5,290.00
20,000 lb	<b>208918</b>	\$5,290.00
30,000 lb	<b>208919</b>	\$10,640.00
40,000 lb	<b>208920</b>	\$10,640.00
50,000 lb	<b>208921</b>	\$10,640.00
60,000 lb	<b>208922</b>	\$10,640.00
100,000 lb	<b>208923</b>	\$19,570.00
150,000 lb*	<b>208924</b>	\$19,570.00

\* Non-NTEP Certified

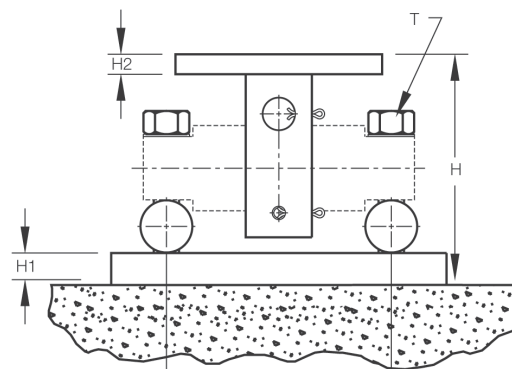
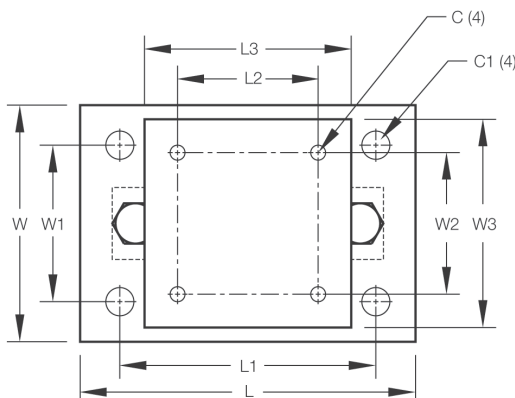


Load Rating (Per Module)	Part #	Price
<b>4-Module Kit</b>		
5,000 lb*	<b>208925</b>	\$6,865.00
10,000 lb	<b>208926</b>	\$6,865.00
20,000 lb	<b>208927</b>	\$6,865.00
30,000 lb	<b>208928</b>	\$14,010.00
40,000 lb	<b>208929</b>	\$14,010.00
50,000 lb	<b>208930</b>	\$14,010.00
60,000 lb	<b>208931</b>	\$14,010.00
100,000 lb	<b>208932</b>	\$26,030.00
150,000 lb*	<b>208933</b>	\$26,030.00
<b>Dummy Load Cells (Mild Steel)</b>		
5,000 to 20,000 lb	<b>33749</b>	\$90.00
30,000 to 60,000 lb	<b>74016</b>	\$122.00
100,000 lb	<b>94175</b>	\$265.00
150,000 lb	<b>158715</b>	\$265.00
<b>Grounding Kit</b>		
5,000 to 60,000 lb	<b>126419</b>	\$21.00

Includes ground strap and mounting hardware per mount

## Dimensions

Rated Capacity	C	C1	H	H1	H2	L	L1	L2	L3	L4	T	W	W1	W2	W3
lb/in															
5,000 to 20,000	0.56	1.06	5.31	0.75	0.50	11.00	8.00	3.00	6.00	6.87	5/8-18 UNF	7.50	4.00	3.00	6.00
30,000 to 60,000	0.68	1.19	8.43	1.00	0.75	15.00	11.50	5.12	8.00	8.50	1-14 UNS	10.00	6.00	5.12	8.00
100,000 to 150,000	0.81	1.38	10.37	1.25	1.25	18.00	14.00	7.50	10.00	9.50	1-14 UNS	12.00	9.00	7.50	10.00



## Complete Kit Includes

- Three or four EZ Mount 1 stainless steel compression mounts with RL72020SS stainless steel double-ended shear beam load cells
- One JB4SS NEMA Type 4X stainless steel signal trim junction box
- 25 ft of our hostile environment EL147HE SURVIVOR® load cell cable

## Standard Features

- Capacities (per module): 5,000 to 150,000 lb
- NTEP Certified load cells (except for 5 k and 150 k)
- Stainless steel construction
- Unique sliding pin design compensates for thermal expansion/contraction
- Self-checking
- Easy load cell replacement
- Simplified design allows bolting directly to tank and floor
- Center-loaded double-ended shear beam design
- Low-profile design
- Compatible with VPG® Revere 9103 load cell

## Applications

- Medium to heavy-capacity tank and hopper weighing applications

WEIGH MODULES

# EZ Mount 1 with MLC Coated RL72020

Stainless Steel, Weigh Modules



Picture is a representation of actual product.

## Load Cell Approvals



## Complete Kit Includes

- Three or four EZ Mount 1 stainless steel compression mounts with coated RL72020 MLC Coated NTEP Certified double-ended shear beam load cells
- One JB4SS NEMA Type 4X stainless steel signal trim junction box
- 25 ft of hostile environment EL147HE SURVIVOR® load cell cable

## Standard Features

- Capacities (per module): 5,000 to 150,000 lb
- Unique sliding pin design compensates for thermal expansion/contraction
- Stainless steel construction (mount)
- Self-checking
- Easy load cell replacement
- Simplified design allows bolting directly to tank and floor
- Center-loaded double-ended shear beam design
- Low-profile design

## Applications

- Medium to heavy capacity tank and fertilizer hopper weighing applications

## Order Information

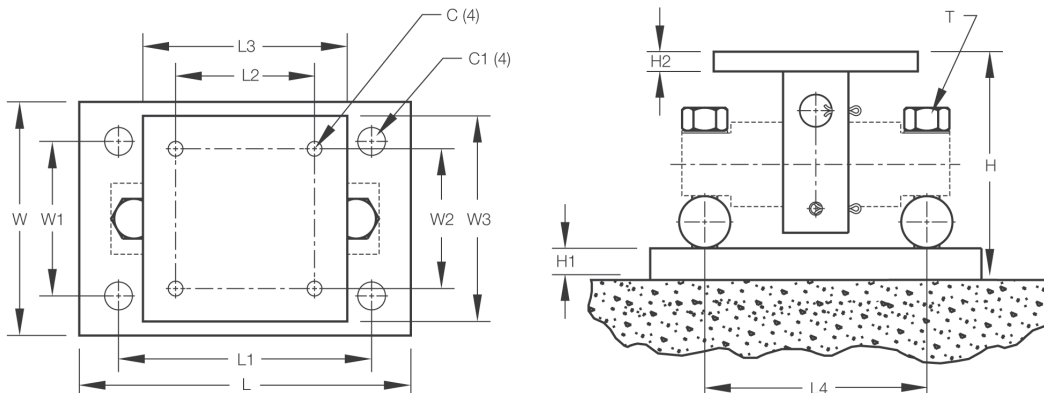
Load Rating (Per Module)	Part #	Price
<b>Single Module (Does NOT Include Load Cell)</b>		
5,000 to 20,000 lb	<b>17943</b>	\$885.00
30,000 to 60,000 lb	<b>17944</b>	\$2,450.00
100,000 lb	<b>17945</b>	\$4,480.00
150,000 lb	<b>29011</b>	\$4,480.00
<b>3-Module Kit</b>		
5,000 lb	<b>208957</b>	\$4,775.00
10,000 lb	<b>208959</b>	\$4,775.00
20,000 lb	<b>208961</b>	\$4,775.00
30,000 lb	<b>208963</b>	\$9,895.00
40,000 lb	<b>208965</b>	\$9,895.00
50,000 lb	<b>208967</b>	\$9,895.00
60,000 lb	<b>208969</b>	\$9,895.00
100,000 lb	<b>208971</b>	\$18,515.00
150,000 lb	<b>208973</b>	\$18,515.00

Load Rating (Per Module)	Part #	Price
<b>4-Module Kit</b>		
5,000 lb	<b>208958</b>	\$6,380.00
10,000 lb	<b>208960</b>	\$6,380.00
20,000 lb	<b>208962</b>	\$6,380.00
30,000 lb	<b>208964</b>	\$13,195.00
40,000 lb	<b>208966</b>	\$13,195.00
50,000 lb	<b>208968</b>	\$13,195.00
60,000 lb	<b>208970</b>	\$13,195.00
100,000 lb	<b>208972</b>	\$24,650.00
150,000 lb	<b>208974</b>	\$24,650.00
<b>Dummy Load Cells (Mild Steel)</b>		
5,000 to 20,000 lb	<b>33749</b>	\$90.00
30,000 to 60,000 lb	<b>74016</b>	\$122.00
100,000 lb	<b>94175</b>	\$265.00
150,000 lb	<b>158715</b>	\$265.00
<b>Grounding Kit</b>		
5,000 to 60,000 lb	<b>126419</b>	\$21.00

Includes ground strap and mounting hardware per mount

## Dimensions

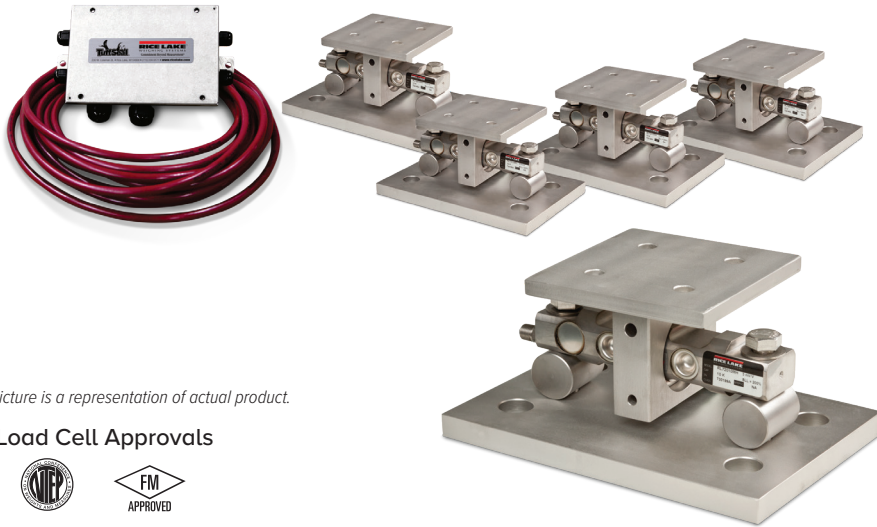
Rated Capacity	C	C1	H	H1	H2	L	L1	L2	L3	L4	T	W	W1	W2	W3
5,000 to 20,000	0.56	1.06	5.31	0.75	0.50	11.00	8.00	3.00	6.00	6.87	5/8-18 UNF	7.50	4.00	3.00	6.00
30,000 to 60,000	0.68	1.19	8.43	1.00	0.75	15.00	11.50	5.12	8.00	8.50	1-14 UNS	10.00	6.00	5.12	8.00
100,000 to 150,000	0.81	1.38	10.37	1.25	1.25	18.00	14.00	7.50	10.00	9.50	1-14 UNS	12.00	9.00	7.50	10.00





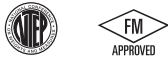
# EZ Mount 1 HE

## Stainless Steel, Weigh Modules



Picture is a representation of actual product.

### Load Cell Approvals



### Order Information

Load Rating (Per Module)	Part #	Price
<b>3-Module Kit</b>		
5,000 lb*	<b>46695</b>	\$6,235.00
10,000 lb	<b>46696</b>	\$6,235.00
20,000 lb	<b>46697</b>	\$6,235.00
30,000 lb	<b>46698</b>	\$12,375.00
40,000 lb	<b>46699</b>	\$12,375.00
50,000 lb	<b>46700</b>	\$12,375.00
60,000 lb	<b>46701</b>	\$12,375.00
<b>4-Module Kit</b>		
5,000 lb*	<b>46702</b>	\$8,390.00
10,000 lb	<b>46703</b>	\$8,390.00
20,000 lb	<b>46704</b>	\$8,390.00
30,000 lb	<b>46705</b>	\$16,175.00
40,000 lb	<b>46706</b>	\$16,175.00
50,000 lb	<b>46707</b>	\$16,175.00
60,000 lb	<b>46708</b>	\$16,175.00
<b>Dummy Load Cells (Mild Steel)</b>		
5,000 to 20,000 lb	<b>33749</b>	\$90.00
30,000 to 60,000 lb	<b>74016</b>	\$122.00
<b>Grounding Kit</b>		
5,000 to 60,000 lb	<b>126419</b>	\$21.00

Includes ground strap and mounting hardware  
\*Non-NTEP

### Dimensions

Rated Capacity	C	C1	H	H1	H2	L	L1	L2	L3	L4	T	W	W1	W2	W3
lb/in															
5,000 to 20,000	0.56	1.06	5.31	0.75	0.50	11.00	8.00	3.00	6.00	6.87	5/8-18 UNF	7.50	4.00	3.00	6.00
30,000 to 60,000	0.68	1.19	8.43	1.00	0.75	15.00	11.50	5.12	8.00	8.50	1-14 UNS	10.00	6.00	5.12	8.00

NOTES: Mounting bolts (T) may project on lower side of base plate. Foundation plate not included

### Shims

	Part #	Price
<b>5,000 to 20,000 lb, Stainless Steel</b>		
0.0625 in	<b>150886</b>	\$12.00
0.125 in	<b>150888</b>	\$18.00
0.250 in	<b>150889</b>	\$29.00
<b>30,000 to 60,000 lb, Stainless Steel</b>		
0.0625 in	<b>150890</b>	\$19.00
0.125 in	<b>150891</b>	\$30.00
0.250 in	<b>150892</b>	\$64.00
<b>5,000 to 20,000 lb, Mild Steel</b>		
0.0625 in	<b>150874</b>	\$5.00
0.125 in	<b>150876</b>	\$6.00
0.250 in	<b>150877</b>	\$8.00
<b>30,000 to 60,000 lb, Mild Steel</b>		
0.0625 in	<b>150878</b>	\$6.00
0.125 in	<b>150880</b>	\$9.00
0.250 in	<b>150881</b>	\$11.00

### Complete Kit Includes

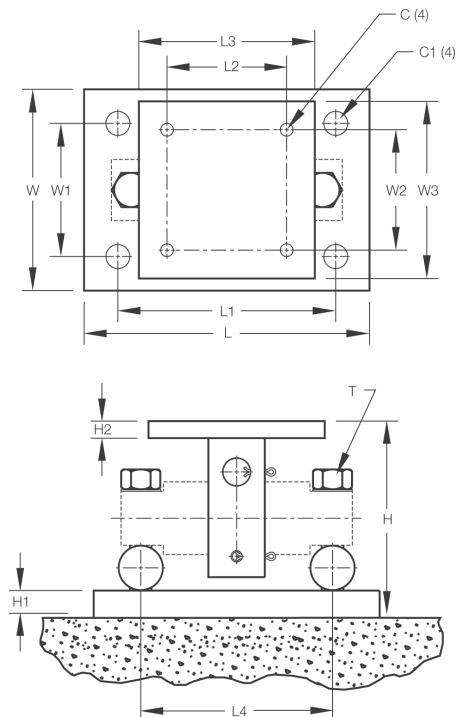
- Three or four EZ Mount 1 stainless steel compression mounts with RL72019SS welded-seal stainless steel double-ended shear beam load cells
- One JB4SS NEMA Type 4X stainless steel signal trim junction box
- 25 ft of our hostile environment EL147HE SURVIVOR® load cell cable

### Standard Features

- Capacities (per module): 5,000 to 60,000 lb
- NTEP Certified (except 5,000 lb)
- Stainless steel construction
- Unique sliding pin design compensates for thermal expansion/contraction
- Self-checking
- Easy load cell replacement
- Simplified design allows bolting directly to tank and floor
- Center-loaded, double-ended shear beam design
- Low-profile design

### Applications

- Medium- to heavy-capacity tank and hopper weighing applications



WEIGH MODULES

# RL1600 Series with RL75016

Cast Iron, Weigh Modules



## Complete Kit Includes

- Three or four RL1600 cast iron compression mounts with RL75016 environmentally protected double-ended shear beam load cells
- One JB4SS NEMA Type 4X stainless steel signal trim junction box
- 25 ft of hostile environment EL147HE SURVIVOR® load cell cable

## Standard Features

- Capacities (per module): 1,000 to 25,000 lb
- Cast iron construction
- Self-checking easy-to-use design allows module to be bolted directly to tank leg without requiring additional mounting plates or load buttons
- Double-ended beam design, center loaded
- Compatible with VPG® Sensortronics® 65016 load cells, capacities (per module): 1,000 to 25,000 lb

## Applications

- Medium- to heavy-capacity tanks, bins and hoppers
- Bulk material management

Picture is a representation of actual product.

## Order Information

Load Rating (Per Module)	Part #	Price
<b>Single Module (Does NOT Include Load Cell)</b>		
1,000 to 5,000 lb	<b>17964</b>	\$185.00
10,000 to 25,000 lb	<b>17965</b>	\$357.00
<b>3-Module Kit</b>		
1,000 lb	<b>25663</b>	\$2,285.00
1,500 lb	<b>25664</b>	\$2,285.00
2,000 lb	<b>25665</b>	\$2,285.00
2,500 lb	<b>25666</b>	\$2,285.00
3,000 lb	<b>25667</b>	\$2,285.00
5,000 lb	<b>25668</b>	\$2,285.00
10,000 lb	<b>25669</b>	\$3,000.00
15,000 lb	<b>25671</b>	\$3,000.00
20,000 lb	<b>25672</b>	\$3,000.00
25,000 lb	<b>25674</b>	\$3,000.00
<b>4-Module Kit</b>		
1,000 lb	<b>25675</b>	\$2,925.00
1,500 lb	<b>25676</b>	\$2,925.00
2,000 lb	<b>25677</b>	\$2,925.00
2,500 lb	<b>25678</b>	\$2,925.00
3,000 lb	<b>25679</b>	\$2,925.00
5,000 lb	<b>25680</b>	\$2,925.00
10,000 lb	<b>25681</b>	\$3,875.00
15,000 lb	<b>25682</b>	\$3,875.00
20,000 lb	<b>25683</b>	\$3,875.00
25,000 lb	<b>25684</b>	\$3,875.00

Contact factory for load cell upgrade

## Dimensions

Rated Capacity	C	H	H1	H2	L	L1	L2	L3	T	W	W1	W2	W3
1,000 to 5,000	0.56	5.00	0.50	0.50	9.31	2.75	4.00	6.25	1/2-13 UNC	5.00	3.75	2.75	4.00
10,000 to 25,000	0.78	7.89	0.75	0.75	12.00	6.00	8.00	7.50	3/4-10 UNC	8.00	6.00	6.00	8.00

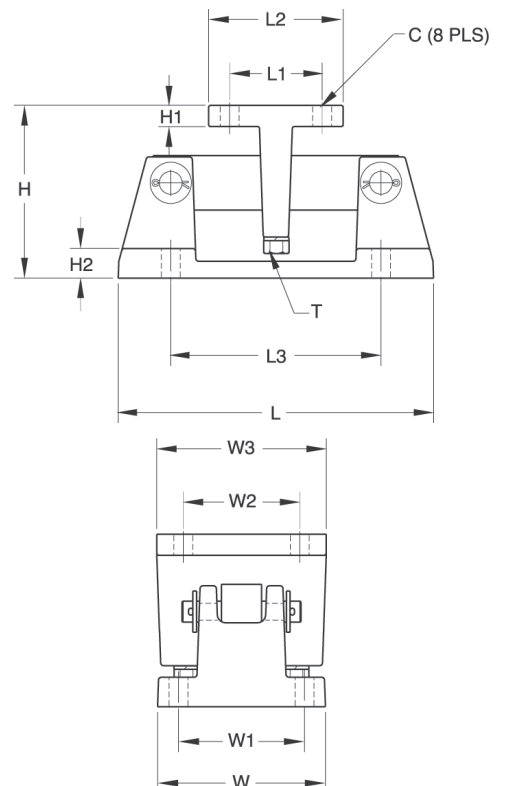
## VPG Sensortronics 65016 Order Information

Load Rating (Per Module)	Part #	Price
<b>3-Module Kit</b>		
1,000 lb	<b>25685</b>	\$2,685.00
1,500 lb	<b>25686</b>	\$2,685.00
2,500 lb	<b>25688</b>	\$2,685.00
5,000 lb	<b>25690</b>	\$2,685.00
10,000 lb	<b>25691</b>	\$3,400.00
15,000 lb	<b>25692</b>	\$3,400.00
20,000 lb	<b>25693</b>	\$3,400.00
25,000 lb	<b>25694</b>	\$3,400.00
<b>4-Module Kit</b>		
1,000 lb	<b>25695</b>	\$3,485.00
1,500 lb	<b>25696</b>	\$3,485.00
2,500 lb	<b>25698</b>	\$3,485.00
5,000 lb	<b>25700</b>	\$3,485.00
10,000 lb	<b>25701</b>	\$4,465.00
15,000 lb	<b>25702</b>	\$4,465.00
20,000 lb	<b>25703</b>	\$4,465.00
25,000 lb	<b>25704</b>	\$4,465.00
<b>Dummy Load Cells</b>		
1,000 to 5,000 lb	<b>18236</b>	\$26.00
10,000 to 25,000 lb	<b>18237</b>	\$42.00

Contact factory for load cell upgrade

## Shims, Mild Steel

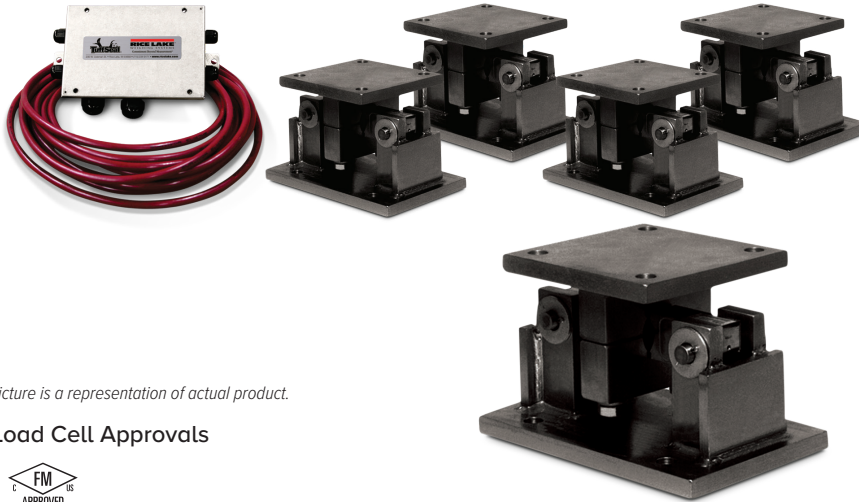
	Part #	Price
<b>1,000 to 5,000 lb</b>		
0.0625 in	<b>150844</b>	\$2.00
0.125 in	<b>150845</b>	\$3.00
0.250 in	<b>150846</b>	\$3.00
<b>10,000 to 25,000 lb</b>		
0.0625 in	<b>150847</b>	\$5.00
0.125 in	<b>150848</b>	\$7.50
0.250 in	<b>150849</b>	\$8.00



WEIGH MODULES

# RL1600 Series with RL75016

Mild Steel, Weigh Modules



Picture is a representation of actual product.

## Load Cell Approvals



## Order Information

Load Rating (Per Module)	Part #	Price
<b>Single Module (Does NOT Include Load Cell)</b>		
1,000 to 5,000 lb	<b>17812</b>	\$185.00
10,000 to 25,000 lb	<b>17814</b>	\$357.00
50,000 lb	<b>17816</b>	\$1,197.00
75,000 lb	<b>25346</b>	\$1,197.00
<b>3-Module Kit</b>		
1,000 lb	<b>18117</b>	\$2,285.00
1,500 lb	<b>18118</b>	\$2,285.00
2,000 lb	<b>18119</b>	\$2,285.00
2,500 lb	<b>18120</b>	\$2,285.00
3,000 lb	<b>18121</b>	\$2,285.00
5,000 lb	<b>18122</b>	\$2,285.00
10,000 lb	<b>18123</b>	\$3,000.00
15,000 lb	<b>18124</b>	\$3,000.00
20,000 lb	<b>18125</b>	\$3,000.00
25,000 lb	<b>18126</b>	\$3,000.00
50,000 lb	<b>18127</b>	\$6,305.00
75,000 lb	<b>25348</b>	\$6,305.00
<b>4-Module Kit</b>		
1,000 lb	<b>18129</b>	\$2,925.00
1,500 lb	<b>18130</b>	\$2,925.00
2,000 lb	<b>18131</b>	\$2,925.00
2,500 lb	<b>18132</b>	\$2,925.00
3,000 lb	<b>18133</b>	\$2,925.00
5,000 lb	<b>18134</b>	\$2,925.00
10,000 lb	<b>18135</b>	\$3,875.00
15,000 lb	<b>18136</b>	\$3,875.00
20,000 lb	<b>18137</b>	\$3,875.00
25,000 lb	<b>18138</b>	\$3,875.00
50,000 lb	<b>18139</b>	\$8,425.00
75,000 lb	<b>25349</b>	\$8,425.00

Contact factory for load cell upgrade

## Dimensions

Rated Capacity	C	H	H1	H2	L	L1	L2	L3	T	W	W1	W2	W3
lb/in													
1,000 to 5,000	0.56	5.00	0.50	0.50	9.25	2.75	4.00	6.25	1/2-13 UNC	5.00	3.75	2.75	4.00
10,000 to 25,000	0.78	7.87	0.75	0.75	12.00	6.00	8.00	7.50	3/4-10 UNC	8.00	6.00	6.00	8.00
50,000 to 75,000	0.78	9.25	1.00	1.00	16.25	6.50	9.00	11.50	1 1/4-7 UNC	12.00	9.50	6.50	9.00

## VPG Sensortronics 65016 Order Information

Load Rating (Per Module)	Part #	Price
<b>3-Module Kit</b>		
1,000 lb	<b>18189</b>	\$2,685.00
1,500 lb	<b>18190</b>	\$2,685.00
2,500 lb	<b>18192</b>	\$2,685.00
5,000 lb	<b>18194</b>	\$2,685.00
10,000 lb	<b>18195</b>	\$3,400.00
15,000 lb	<b>18196</b>	\$3,400.00
20,000 lb	<b>18197</b>	\$3,400.00
25,000 lb	<b>18198</b>	\$3,400.00
50,000 lb	<b>18199</b>	\$6,800.00
75,000 lb	<b>25350</b>	\$6,800.00
<b>4-Module Kit</b>		
1,000 lb	<b>18201</b>	\$3,485.00
1,500 lb	<b>18202</b>	\$3,485.00
2,500 lb	<b>18204</b>	\$3,485.00
5,000 lb	<b>18206</b>	\$3,485.00
10,000 lb	<b>18207</b>	\$4,465.00
15,000 lb	<b>18208</b>	\$4,465.00
20,000 lb	<b>18209</b>	\$4,465.00
25,000 lb	<b>18210</b>	\$4,465.00
50,000 lb	<b>18211</b>	\$8,920.00
75,000 lb	<b>25351</b>	\$8,920.00
<b>Dummy Load Cells</b>		
1,000 to 5,000 lb	<b>18236</b>	\$26.00
10,000 to 25,000 lb	<b>18237</b>	\$42.00
50,000 lb	<b>18238</b>	\$56.00

Contact factory for load cell upgrade

## Complete Kit Includes

- Three or four RL1600 mild steel compression mounts with RL75016 environmentally protected double-ended shear beam load cells
- One JB4SS NEMA Type 4X stainless steel signal trim junction box
- 25 ft of our hostile environment EL147HE SURVIVOR® load cell cable

## Standard Features

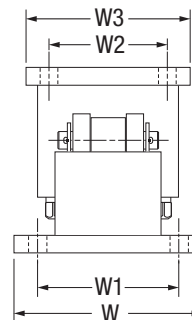
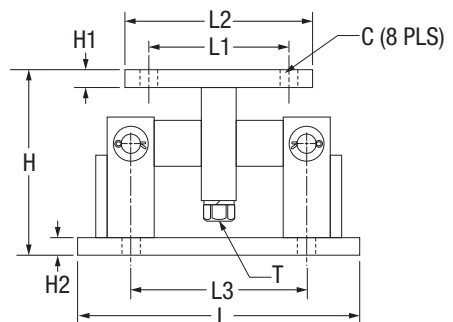
- Capacities (per module): 1,000 to 75,000 lb
- Coated mild steel construction
- Self-checking, easy-to-use design allows module to be bolted directly to tank leg without requiring additional mounting plates or load buttons
- Double-ended shear beam design, center loaded
- Compatible with VPG® Sensortronics® 65016 load cells

## Applications

- Medium- to heavy-capacity tanks, bins and hoppers
- Bulk material management

## Shims, Mild Steel

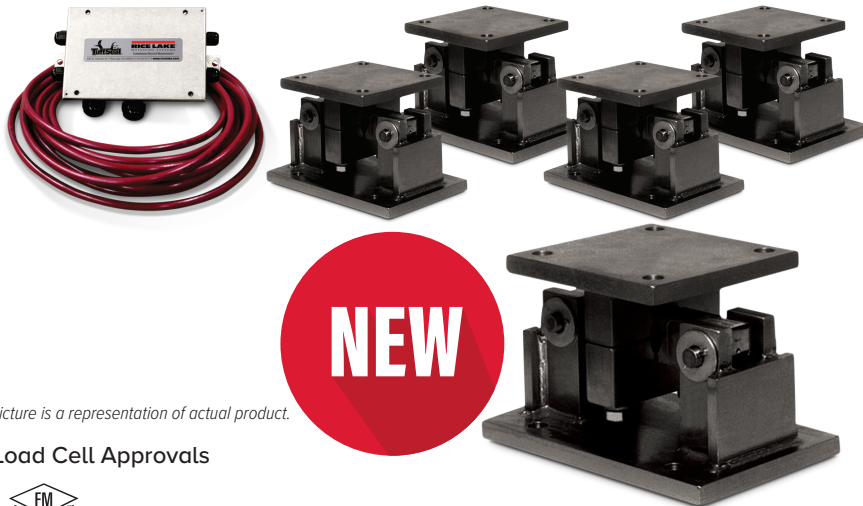
	Part #	Price
<b>1,000 to 5,000 lb</b>		
0.0625 in	<b>150844</b>	\$2.00
0.125 in	<b>150845</b>	\$3.00
0.250 in	<b>150846</b>	\$3.00
<b>10,000 to 25,000 lb</b>		
0.0625 in	<b>150847</b>	\$5.00
0.125 in	<b>150848</b>	\$7.50
0.250 in	<b>150849</b>	\$8.00
<b>50,000 to 75,000 lb</b>		
0.0625 in	<b>150850</b>	\$7.00
0.125 in	<b>150851</b>	\$9.00
0.250 in	<b>150866</b>	\$7.50



WEIGH MODULES

# RL1600 Series with RL77032

Mild Steel, Weigh Modules



Picture is a representation of actual product.

## Load Cell Approvals



## Order Information

Load Rating (Per Module)	Part #	Price
<b>Single Module (Does NOT Include Load Cell)</b>		
1,000 to 5,000 lb	<b>17812</b>	\$185.00
10,000 to 25,000 lb	<b>17814</b>	\$357.00
50,000 lb	<b>17816</b>	\$1,197.00
75,000 lb	<b>25346</b>	\$1,197.00
<b>3-Module Kit</b>		
1,000 lb	<b>225213</b>	\$2,285.00
1,500 lb	<b>225214</b>	\$2,285.00
2,000 lb	<b>225215</b>	\$2,285.00
2,500 lb	<b>225216</b>	\$2,285.00
3,000 lb	<b>225217</b>	\$2,285.00
5,000 lb	<b>225218</b>	\$2,285.00
10,000 lb	<b>225219</b>	\$3,000.00
15,000 lb	<b>225220</b>	\$3,000.00
20,000 lb	<b>225221</b>	\$3,000.00
25,000 lb	<b>225222</b>	\$3,000.00
50,000 lb	<b>225223</b>	\$6,305.00
75,000 lb	<b>225224</b>	\$6,305.00
<b>4-Module Kit</b>		
1,000 lb	<b>225226</b>	\$2,925.00
1,500 lb	<b>225227</b>	\$2,925.00
2,000 lb	<b>225229</b>	\$2,925.00
2,500 lb	<b>225231</b>	\$2,925.00
3,000 lb	<b>225232</b>	\$2,925.00
5,000 lb	<b>225233</b>	\$2,925.00
10,000 lb	<b>225234</b>	\$3,875.00
15,000 lb	<b>225235</b>	\$3,875.00
20,000 lb	<b>225236</b>	\$3,875.00
25,000 lb	<b>225237</b>	\$3,875.00
50,000 lb	<b>225238</b>	\$8,425.00
75,000 lb	<b>225239</b>	\$8,425.00

## Dimensions

Rated Capacity	C	H	H1	H2	L	L1	L2	L3	T	W	W1	W2	W3
lb/in													
1,000 to 5,000	0.56	5.00	0.50	0.50	9.25	2.75	4.00	6.25	1/2-13 UNC	5.00	3.75	2.75	4.00
10,000 to 25,000	0.78	7.87	0.75	0.75	12.00	6.00	8.00	7.50	3/4-10 UNC	8.00	6.00	6.00	8.00
50,000 to 75,000	0.78	9.25	1.00	1.00	16.25	6.50	9.00	11.50	1 1/4-7 UNC	12.00	9.50	6.50	9.00

## VPG Sentionics 65016 Order Information

Load Rating (Per Module)	Part #	Price
<b>3-Module Kit</b>		
1,000 lb	<b>18189</b>	\$2,685.00
1,500 lb	<b>18190</b>	\$2,685.00
2,500 lb	<b>18192</b>	\$2,685.00
5,000 lb	<b>18194</b>	\$2,685.00
10,000 lb	<b>18195</b>	\$3,400.00
15,000 lb	<b>18196</b>	\$3,400.00
20,000 lb	<b>18197</b>	\$3,400.00
25,000 lb	<b>18198</b>	\$3,400.00
50,000 lb	<b>18199</b>	\$6,800.00
75,000 lb	<b>25350</b>	\$6,800.00
<b>4-Module Kit</b>		
1,000 lb	<b>18201</b>	\$3,485.00
1,500 lb	<b>18202</b>	\$3,485.00
2,500 lb	<b>18204</b>	\$3,485.00
5,000 lb	<b>18206</b>	\$3,485.00
10,000 lb	<b>18207</b>	\$4,465.00
15,000 lb	<b>18208</b>	\$4,465.00
20,000 lb	<b>18209</b>	\$4,465.00
25,000 lb	<b>18210</b>	\$4,465.00
50,000 lb	<b>18211</b>	\$8,920.00
75,000 lb	<b>25351</b>	\$8,920.00
<b>Dummy Load Cells</b>		
1,000 to 5,000 lb	<b>18236</b>	\$26.00
10,000 to 25,000 lb	<b>18237</b>	\$42.00
50,000 lb	<b>18238</b>	\$56.00

## Complete Kit Includes

- Three or four RL1600 mild steel compression mounts with RL77032 environmentally protected double-ended shear beam load cells
- One JB4SS NEMA Type 4X stainless steel signal trim junction box
- 25 ft of our hostile environment EL147HE SURVIVOR® load cell cable

## Standard Features

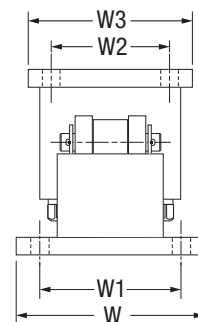
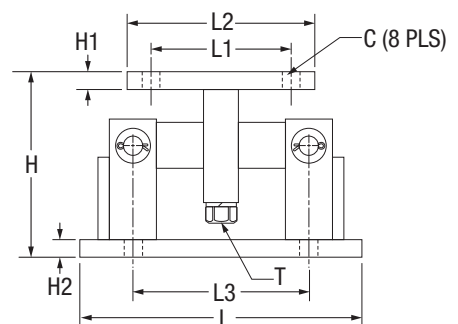
- Capacities (per module): 1,000 to 75,000 lb
- Coated mild steel construction
- Self-checking, easy-to-use design allows module to be bolted directly to tank leg without requiring additional mounting plates or load buttons
- Double-ended shear beam design, center loaded
- Compatible with VPG® Sentionics® 65016 load cells

## Applications

- Medium- to heavy-capacity tanks, bins and hoppers
- Bulk material management

## Shims, Mild Steel

	Part #	Price
<b>1,000 to 5,000 lb</b>		
0.0625 in	<b>150844</b>	\$2.00
0.125 in	<b>150845</b>	\$3.00
0.250 in	<b>150846</b>	\$3.00
<b>10,000 to 25,000 lb</b>		
0.0625 in	<b>150847</b>	\$5.00
0.125 in	<b>150848</b>	\$7.50
0.250 in	<b>150849</b>	\$8.00
<b>50,000 to 75,000 lb</b>		
0.0625 in	<b>150850</b>	\$7.00
0.125 in	<b>150851</b>	\$9.00
0.250 in	<b>150866</b>	\$7.50



# RL1600 Series with RL75016SS

Stainless Steel, Weigh Modules



Picture is a representation of actual product.

## Load Cell Approvals



## Order Information

Load Rating (Per Module)	Part #	Price
<b>Single Module (Does NOT Include Load Cell)</b>		
1,000 to 5,000 lb	<b>17813</b>	\$685.00
10,000 to 25,000 lb	<b>17815</b>	\$1,345.00
50,000 lb	<b>17842</b>	\$3,185.00
75,000 lb	<b>25347</b>	\$3,185.00
<b>3-Module Kit</b>		
1,000 lb	<b>18141</b>	\$3,820.00
1,500 lb	<b>18142</b>	\$3,820.00
2,000 lb	<b>18143</b>	\$3,820.00
2,500 lb	<b>18144</b>	\$3,820.00
5,000 lb	<b>18145</b>	\$3,820.00
10,000 lb	<b>18146</b>	\$5,830.00
15,000 lb	<b>18147</b>	\$5,830.00
20,000 lb	<b>18148</b>	\$5,830.00
25,000 lb	<b>18149</b>	\$5,830.00
50,000 lb	<b>18150</b>	\$13,255.00
75,000 lb	<b>25352</b>	\$13,255.00
<b>4-Module Kit</b>		
1,000 lb	<b>18152</b>	\$4,988.00
1,500 lb	<b>18153</b>	\$4,988.00
2,000 lb	<b>18154</b>	\$4,988.00
2,500 lb	<b>18155</b>	\$4,988.00
5,000 lb	<b>18156</b>	\$4,988.00
10,000 lb	<b>18157</b>	\$7,959.00
15,000 lb	<b>18158</b>	\$7,959.00
20,000 lb	<b>18159</b>	\$7,959.00
25,000 lb	<b>18160</b>	\$7,959.00
50,000 lb	<b>18161</b>	\$17,895.00
75,000 lb	<b>25353</b>	\$17,895.00

## Dimensions

Rated Capacity	C	H	H1	H2	L	L1	L2	L3	T	W	W1	W2	W3
lb/in													
1,000 to 5,000	0.56	5.00	0.50	0.50	9.25	2.75	4.00	6.25	1/2-13 UNC	5.00	3.75	2.75	4.00
10,000 to 25,000	0.78	7.87	0.75	0.75	12.00	6.00	8.00	7.50	3/4-10 UNC	8.00	6.00	6.00	8.00
50,000 to 75,000	0.78	9.25	1.00	1.00	16.25	6.50	9.00	11.50	1 1/4-7 UNC	12.00	9.50	6.50	9.00

## VPG Sensortronics 65016W Order Information

Load Rating (Per Module)	Part #	Price
<b>3-Module Kit</b>		
1,000 lb	<b>18213</b>	\$4,090.00
1,500 lb	<b>18214</b>	\$4,090.00
2,500 lb	<b>18216</b>	\$4,090.00
5,000 lb	<b>18217</b>	\$4,090.00
10,000 lb	<b>18218</b>	\$6,280.00
15,000 lb	<b>18219</b>	\$6,280.00
20,000 lb	<b>18220</b>	\$6,280.00
25,000 lb	<b>18221</b>	\$6,280.00
50,000 lb	<b>18222</b>	\$13,815.00
75,000 lb	<b>25354</b>	\$13,815.00
<b>4-Module Kit</b>		
1,000 lb	<b>18224</b>	\$5,375.00
1,500 lb	<b>18225</b>	\$5,375.00
2,500 lb	<b>18227</b>	\$5,375.00
5,000 lb	<b>18228</b>	\$5,375.00
10,000 lb	<b>18229</b>	\$8,290.00
15,000 lb	<b>18230</b>	\$8,290.00
20,000 lb	<b>18231</b>	\$8,290.00
25,000 lb	<b>18232</b>	\$8,290.00
50,000 lb	<b>18233</b>	\$18,225.00
75,000 lb	<b>25355</b>	\$18,225.00
<b>Dummy Load Cells (Mild Steel)</b>		
1,000 to 5,000 lb	<b>18236</b>	\$26.00
10,000 to 25,000 lb	<b>18237</b>	\$42.00
50,000 lb	<b>18238</b>	\$56.00

## Complete Kit Includes

- Three or four RL1600 stainless steel compression mounts with RL75016SS environmentally protected stainless steel double-ended shear beam load cells
- One JB4SS NEMA Type 4X stainless steel signal trim junction box
- 25 ft of hostile environment EL147HE SURVIVOR® load cell cable

## Standard Features

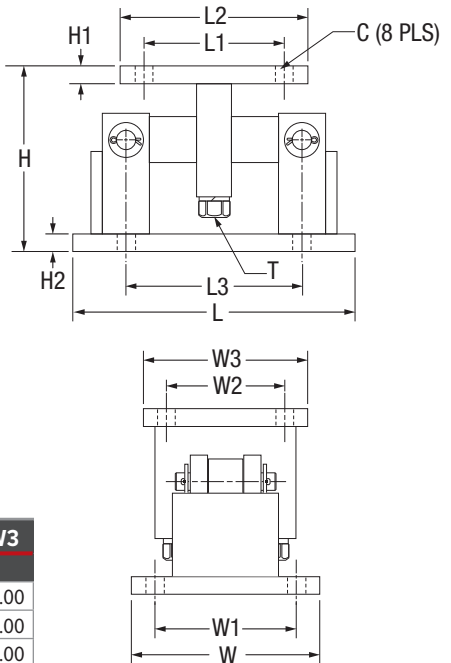
- Capacities (per module): 1,000 to 75,000 lb
- Stainless steel construction
- Self-checking, easy-to-use design allows module to be bolted directly to tank leg without requiring additional mounting plates or load buttons
- Double-ended shear beam design, center loaded
- Compatible with VPG® Sensortronics® 65016W SS load cells

## Applications

- Medium- to heavy-capacity tanks, bins and hoppers
- Bulk material management

## Shims, Stainless

	Part #	Price
<b>1,000 to 5,000 lb</b>		
0.0625	<b>150852</b>	\$7.00
0.125	<b>150853</b>	\$12.00
0.250	<b>150854</b>	\$18.00
<b>10,000 to 25,000 lb</b>		
0.0625	<b>150855</b>	\$19.00
0.125	<b>150856</b>	\$30.00
0.250	<b>150857</b>	\$65.00
<b>50,000 to 75,000 lb</b>		
0.0625	<b>150858</b>	\$27.00
0.125	<b>150859</b>	\$38.00
0.250	<b>150861</b>	\$79.00



WEIGH MODULES

# RL1600 SS Series with RL77032SS

Stainless Steel, Weigh Modules



Picture is a representation of actual product.

Load Cell Approvals



## Order Information

Load Rating (Per Module)	Part #	Price
<b>Single Module (Does NOT Include Load Cell)</b>		
1,000 to 5,000 lb	<b>17813</b>	\$685.00
10,000 to 25,000 lb	<b>17815</b>	\$1,345.00
50,000 lb	<b>17842</b>	\$3,185.00
75,000 lb	<b>25347</b>	\$3,185.00
<b>3-Module Kit</b>		
1,000 lb	<b>225333</b>	\$3,820.00
1,500 lb	<b>225334</b>	\$3,820.00
2,000 lb	<b>225335</b>	\$3,820.00
2,500 lb	<b>225336</b>	\$3,820.00
5,000 lb	<b>225337</b>	\$3,820.00
10,000 lb	<b>225338</b>	\$5,830.00
15,000 lb	<b>225340</b>	\$5,830.00
20,000 lb	<b>225341</b>	\$5,830.00
25,000 lb	<b>225342</b>	\$5,830.00
50,000 lb	<b>225343</b>	\$13,255.00
75,000 lb	<b>225344</b>	\$13,255.00
<b>4-Module Kit</b>		
1,000 lb	<b>225347</b>	\$4,988.00
1,500 lb	<b>225349</b>	\$4,988.00
2,000 lb	<b>225350</b>	\$4,988.00
2,500 lb	<b>225351</b>	\$4,988.00
5,000 lb	<b>225352</b>	\$4,988.00
10,000 lb	<b>225353</b>	\$7,959.00
15,000 lb	<b>225354</b>	\$7,959.00
20,000 lb	<b>225355</b>	\$7,959.00
25,000 lb	<b>225356</b>	\$7,959.00
50,000 lb	<b>225357</b>	\$17,895.00
75,000 lb	<b>225358</b>	\$17,895.00

## Dimensions

Rated Capacity	C	H	H1	H2	L	L1	L2	L3	T	W	W1	W2	W3
1,000 to 5,000 lb/in	0.56	5.00	0.50	0.50	9.25	2.75	4.00	6.25	1/2-13 UNC	5.00	3.75	2.75	4.00
10,000 to 25,000 lb/in	0.78	7.87	0.75	0.75	12.00	6.00	8.00	7.50	3/4-10 UNC	8.00	6.00	6.00	8.00
50,000 to 75,000 lb/in	0.78	9.25	1.00	1.00	16.25	6.50	9.00	11.50	1 1/4-7 UNC	12.00	9.50	6.50	9.00

## VPG Sensortronics 65016W Order Information

Load Rating (Per Module)	Part #	Price
<b>3-Module Kit</b>		
1,000 lb	<b>18213</b>	\$4,090.00
1,500 lb	<b>18214</b>	\$4,090.00
2,500 lb	<b>18216</b>	\$4,090.00
5,000 lb	<b>18217</b>	\$4,090.00
10,000 lb	<b>18218</b>	\$6,280.00
15,000 lb	<b>18219</b>	\$6,280.00
20,000 lb	<b>18220</b>	\$6,280.00
25,000 lb	<b>18221</b>	\$6,280.00
50,000 lb	<b>18222</b>	\$13,815.00
75,000 lb	<b>25354</b>	\$13,815.00
<b>4-Module Kit</b>		
1,000 lb	<b>18224</b>	\$5,375.00
1,500 lb	<b>18225</b>	\$5,375.00
2,500 lb	<b>18227</b>	\$5,375.00
5,000 lb	<b>18228</b>	\$5,375.00
10,000 lb	<b>18229</b>	\$8,290.00
15,000 lb	<b>18230</b>	\$8,290.00
20,000 lb	<b>18231</b>	\$8,290.00
25,000 lb	<b>18232</b>	\$8,290.00
50,000 lb	<b>18233</b>	\$18,225.00
75,000 lb	<b>25355</b>	\$18,225.00
<b>Dummy Load Cells (Mild Steel)</b>		
1,000 to 5,000 lb	<b>18236</b>	\$26.00
10,000 to 25,000 lb	<b>18237</b>	\$42.00
50,000 lb	<b>18238</b>	\$56.00

## Complete Kit Includes

- Three or four RL1600 stainless steel compression mounts with RL77032SS environmentally protected stainless steel double-ended shear beam load cells
- One JB4SS NEMA Type 4X stainless steel signal trim junction box
- 25 ft of hostile environment EL147HE SURVIVOR® load cell cable

## Standard Features

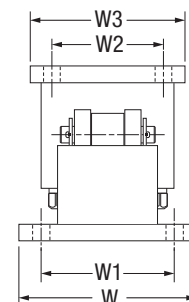
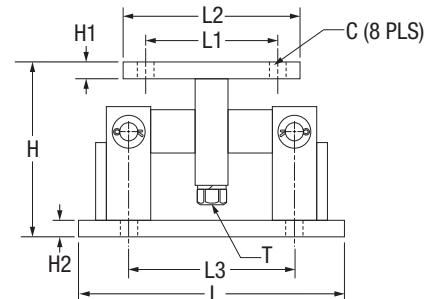
- Capacities (per module): 1,000 to 75,000 lb
- Stainless steel construction
- Self-checking, easy-to-use design allows module to be bolted directly to tank leg without requiring additional mounting plates or load buttons
- Double-ended shear beam design, center loaded
- Compatible with VPG® Sensortronics® 65016W SS load cells

## Applications

- Medium- to heavy-capacity tanks, bins and hoppers
- Bulk material management

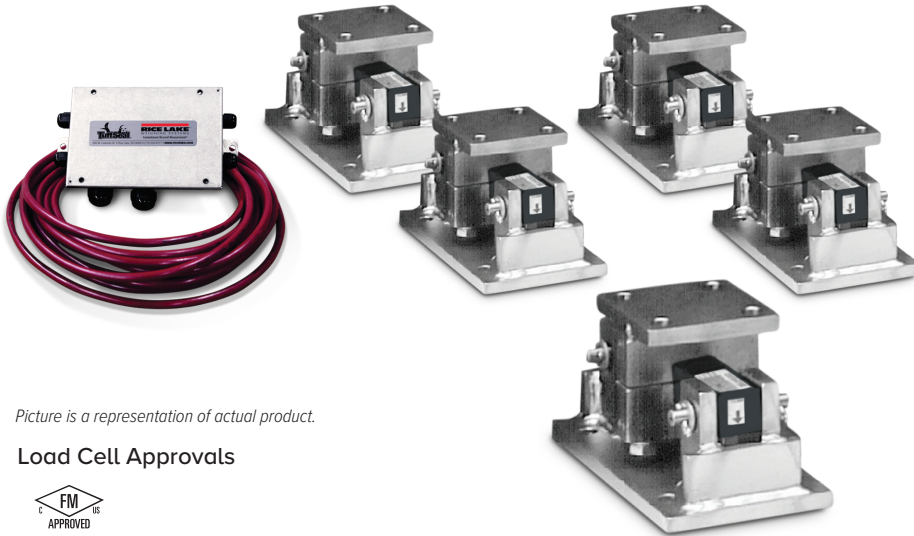
## Shims, Stainless

Part #	Price
<b>1,000 to 5,000 lb</b>	
0.0625	<b>150852</b> \$7.00
0.125	<b>150853</b> \$12.00
0.250	<b>150854</b> \$18.00
<b>10,000 to 25,000 lb</b>	
0.0625	<b>150855</b> \$19.00
0.125	<b>150856</b> \$30.00
0.250	<b>150857</b> \$65.00
<b>50,000 to 75,000 lb</b>	
0.0625	<b>150858</b> \$27.00
0.125	<b>150859</b> \$38.00
0.250	<b>150861</b> \$79.00



# RL1600 Series with MLC Coated RL75016

Stainless Steel, Weigh Modules



Picture is a representation of actual product.

## Load Cell Approvals



## Order Information

Load Rating (Per Module)	Part #	Price
<b>Single Module (Does NOT Include Load Cell)</b>		
1,000 to 5,000 lb	17813	\$685.00
10,000 to 25,000 lb	17815	\$1,345.00
50,000 lb	17842	\$3,185.00
75,000 lb	25347	\$3,185.00
<b>3-Module Kit</b>		
1,000 lb	199023	\$3,820.00
1,500 lb	199025	\$3,820.00
2,000 lb	199027	\$3,820.00
2,500 lb	199029	\$3,820.00
3,000 lb	199031	\$3,820.00
5,000 lb	199033	\$3,820.00
10,000 lb	199035	\$5,830.00
15,000 lb	199037	\$5,830.00
20,000 lb	199038	\$5,830.00
25,000 lb	199040	\$5,830.00
50,000 lb	199042	\$13,255.00
75,000 lb	199044	\$13,255.00
<b>4-Module Kit</b>		
1,000 lb	199024	\$4,985.00
1,500 lb	199026	\$4,985.00
2,000 lb	199028	\$4,985.00
2,500 lb	199030	\$4,985.00
3,000 lb	199032	\$4,985.00
5,000 lb	199034	\$4,985.00
10,000 lb	199036	\$7,955.00
15,000 lb	199056	\$7,955.00
20,000 lb	199039	\$7,955.00
25,000 lb	199041	\$7,955.00
50,000 lb	199043	\$17,895.00
75,000 lb	199045	\$17,895.00

## Dimensions

Rated Capacity	C	H	H1	H2	L	L1	L2	L3	T	W	W1	W2	W3
1,000 to 5,000	0.56	5.00	0.50	0.50	9.25	2.75	4.00	6.25	1/2-13 UNC	5.00	3.75	2.75	4.00
10,000 to 25,000	0.78	7.87	0.75	0.75	12.00	6.00	8.00	7.50	3/4-10 UNC	8.00	6.00	6.00	8.00
50,000 to 75,000	0.78	9.25	1.00	1.00	16.25	6.50	9.00	11.50	1 1/4-7 UNC	12.00	9.50	6.50	9.00

## Complete Kit Includes

- Three or four RL1600 stainless steel compression mounts with MLC coated RL75016 alloy steel, environmentally sealed, double ended shear beam load cells
- One JB4SS NEMA Type 4X stainless steel signal trim junction box
- 25 ft of hostile environment EL147HE SURVIVOR® load cell cable

## Standard Features

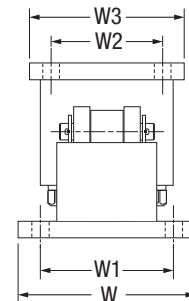
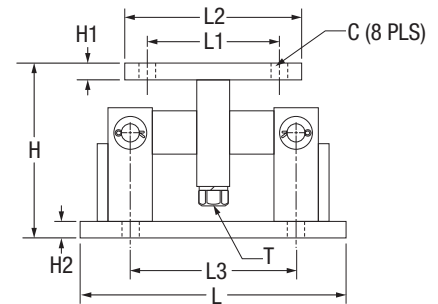
- Capacities (per module): 1,000 to 75,000 lb
- Stainless steel construction (mounts)
- Self-checking, easy-to-use design allows module to be bolted directly to tank leg without requiring additional mounting plates or load buttons
- Double-ended shear beam design, center loaded

## Applications

- Medium-to heavy-capacity tanks, bins, and hoppers
- Bulk material management

## Shims, Stainless

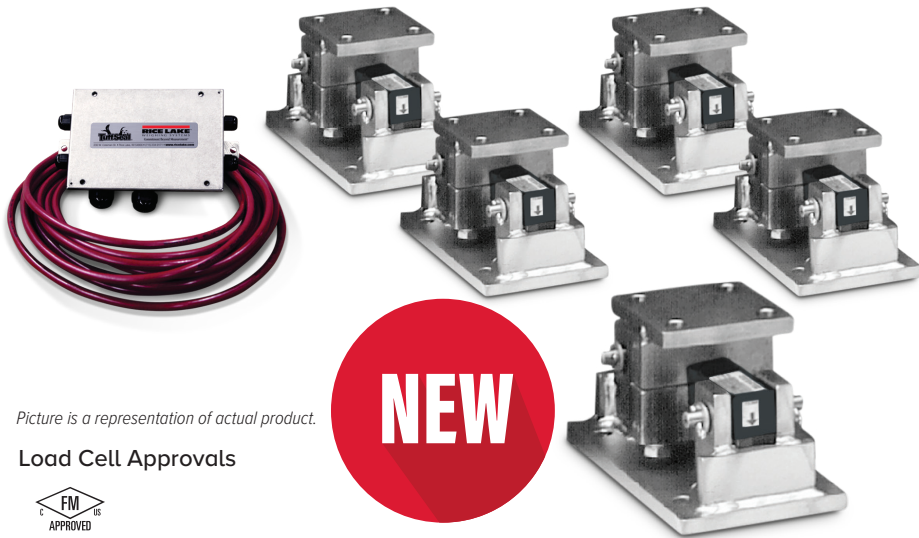
	Part #	Price
<b>1,000 to 5,000 lb</b>		
0.0625	150852	\$7.00
0.125	150853	\$12.00
0.250	150854	\$18.00
<b>10,000 to 25,000 lb</b>		
0.0625	150855	\$19.00
0.125	150856	\$30.00
0.250	150857	\$65.00
<b>50,000 to 75,000 lb</b>		
0.0625	150858	\$27.00
0.125	150859	\$38.00
0.250	150861	\$79.00



WEIGH MODULES

# RL1600 HE Series with RL77032SS HE

Stainless Steel, Weigh Modules



Picture is a representation of actual product.

Load Cell Approvals



## Complete Kit Includes

- Three or four RL1600 HE stainless steel compression mounts with RL77032SS HE stainless steel, hermetically sealed, double-ended shear beam load cells
- One JB4SS NEMA Type 4X stainless steel signal trim junction box
- 25 ft of our hostile environment EL147HE SURVIVOR load cell cable

## Standard Features

- All stainless steel construction
- Self-checking, easy-to-use design allows module to be bolted directly to tank leg without requiring additional mounting plates or load buttons
- Center loaded

## Applications

- Medium-capacity tanks, bins and hoppers
- Bulk material management
- Ingredient batching, mixing and blending

## Order Information

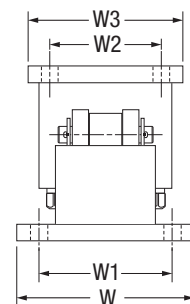
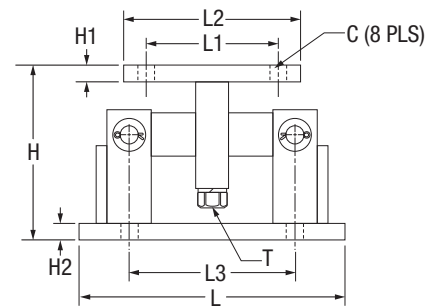
Load Rating (Per Module)	Part #	Price
<b>Single Module (Does NOT Include Load Cell)</b>		
1,000 to 5,000 lb	17813	\$685.00
10,000 to 25,000 lb	17815	\$1,345.00
50,000 lb	17842	\$3,185.00
75,000 lb	25347	\$3,185.00
<b>3-Module Kit</b>		
1,000 lb	225359	\$4,500.00
1,500 lb	225360	\$4,500.00
2,000 lb	225361	\$4,500.00
2,500 lb	225362	\$4,500.00
5,000 lb	225363	\$4,500.00
10,000 lb	225364	\$6,725.00
15,000 lb	225365	\$6,725.00
20,000 lb	225366	\$6,725.00
25,000 lb	225367	\$6,725.00
50,000 lb	225368	\$14,180.00
75,000 lb	225369	\$14,180.00
<b>4-Module Kit</b>		
1,000 lb	225370	\$5,865.00
1,500 lb	225371	\$5,865.00
2,000 lb	225372	\$5,865.00
2,500 lb	225373	\$5,865.00
5,000 lb	225374	\$5,865.00
10,000 lb	225375	\$8,800.00
15,000 lb	225376	\$8,800.00
20,000 lb	225377	\$8,800.00
25,000 lb	225378	\$8,800.00
50,000 lb	225379	\$18,815.00
75,000 lb	225380	\$18,815.00
<b>Dummy Load Cell</b>		
1,000 to 5,000 lb	18236	\$26.00
10,000 to 25,000 lb	18237	\$42.00

## Dimensions

Rated Capacity	C	H	H1	H2	L	L1	L2	L3	T	W	W1	W2	W3
lb/in													
1,000 to 5,000	0.56	5.00	0.50	0.50	9.25	2.75	4.00	6.25	1/2-13 UNC	5.00	3.75	2.75	4.00
10,000 to 25,000	0.78	7.87	0.75	0.75	12.00	6.00	8.00	7.50	3/4-10 UNC	8.00	6.00	6.00	8.00
50,000 to 75,000	0.78	9.25	1.00	1.00	16.25	6.50	9.00	11.50	1 1/4-7 UNC	12.00	9.50	6.50	9.00

## Shims, Stainless

	Part #	Price
<b>1,000 to 5,000 lb</b>		
0.0625	150852	\$7.00
0.125	150853	\$12.00
0.250	150854	\$18.00
<b>10,000 to 25,000 lb</b>		
0.0625	150855	\$19.00
0.125	150856	\$30.00
0.250	150857	\$65.00
<b>50,000 to 75,000 lb</b>		
0.0625	150858	\$27.00
0.125	150859	\$38.00
0.250	150861	\$79.00





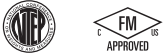
# MVS Mount/MVS

Mild Steel, Conversion Kit



Picture is a representation of actual product.

## Load Cell Approvals



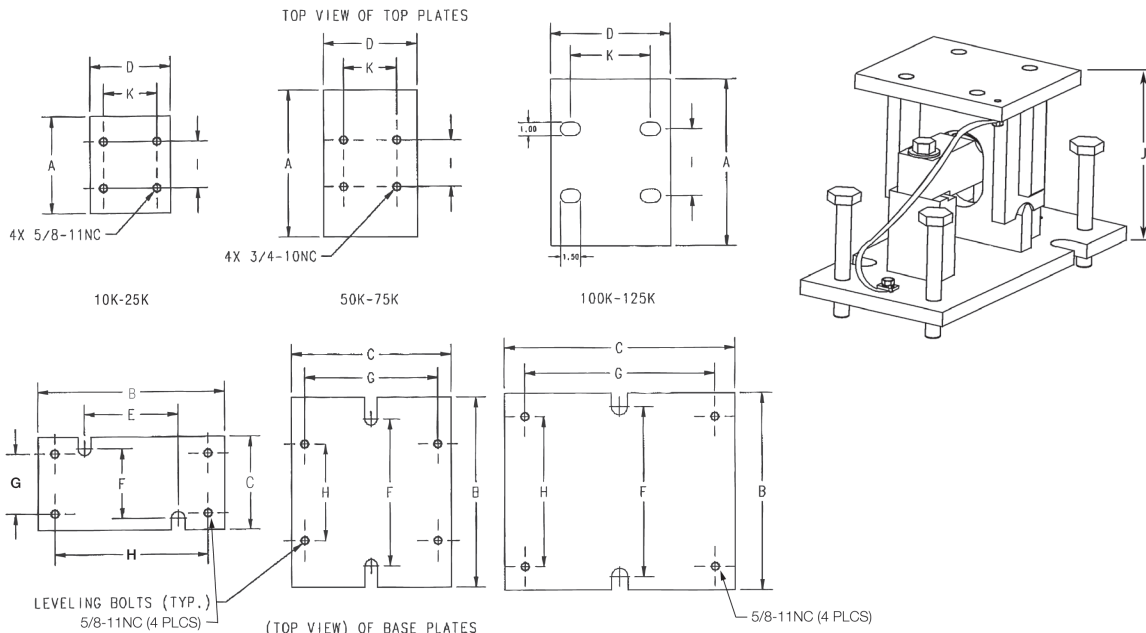
## Order Information

Load Rating (Per Module)	Part #	Price
<b>MVS Mount (Does NOT Include Load Cell)</b>		
10,000 to 25,000 lb	<b>71200</b>	\$725.00
50,000 to 75,000 lb	<b>46441</b>	\$865.00
100,000 to 125,000 lb	<b>68520</b>	\$1,475.00
<b>MVS Conversion Kits (Includes 75,000 lb* Load Cells, Mounts and Junction Box)</b>		
4-module kit	<b>68495</b>	\$7,505.00
6-module kit	<b>68496</b>	\$11,050.00
8-module kit	<b>68497</b>	\$15,020.00
10-module kit	<b>68498</b>	\$19,465.00
<b>Dummy Load Cell</b>		
50,000 to 75,000 lb	<b>169388</b>	\$175.00
100,000 to 125,000 lb	<b>159696</b>	\$212.00

Custom heights available; Consult  
\*Consult for other capacity requirements

## Dimensions

Rated Capacity	A	B	C	D	E	F	G	H	I	J	K
10,000 to 25,000	7.25	14.00	7.00	6.00	7.00	5.25	4.50	11.50	3.50	8.50	4.00
50,000 to 75,000	11.00	14.25	12.00	7.00	—	11.00	10.00	7.25	3.50	11.53	4.00
100,000 to 125,000	12.50	14.75	17.25	9.00	—	12.75	14.25	11.25	5.00	14.21	6.00



## Complete Kit Includes

- Four to ten MVS mild steel mounts with RL75058-LP 75,000 lb NTEP Certified alloy steel environmentally sealed double-ended beam load cells.
- One JB8SPT NEMA 4 Type signal trim junction box (JB1010 on 10 module kit)
- 100 ft of our hostile environment EL147HE SURVIVOR® load cell cable

## Standard Features

- Capacity (per module): 10,000 to 125,000 lb
- Mild steel construction
- Specially hardened center link
- Self-checking design
- Self-centering design
- Accommodates thermal expansion and contraction
- Compatible with VPG® Sensortronics® 65058 or VPG® Celtron® CLB

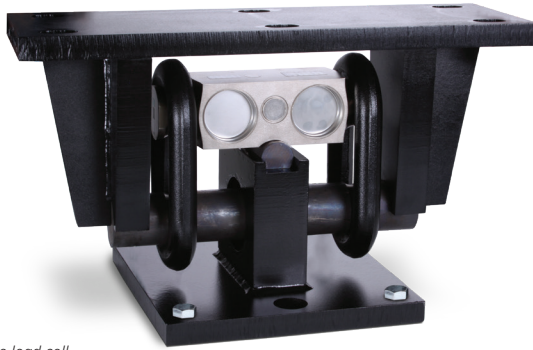
## Applications

- Truck scale conversion
- Heavy-capacity horizontal tanks

WEIGH MODULES

# Translink™ Parallel Link

Painted Mild Steel, Truck Scale Assembly



Mount only; does not include load cell.  
Picture is a representation of actual product.

## Standard Features

- Capacities (per module): 25,000 to 100,000 lb
- Painted mild steel construction
- Center-supported, end-loaded double-ended shear beam design
- Free movement in all directions in the horizontal plane with virtually no friction
- Links provide optimal loading conditions for the cell
- Completely self-centering
- Requires no check rods
- Utilizes cells with 3 mV/V output
- Compatible with Rice Lake RL75223 and RL75040, VPG® Revere 5223 and VPG® Sensortronics® 65040A load cells

## Applications

- Truck scale mount
- Heavy-capacity horizontal tanks

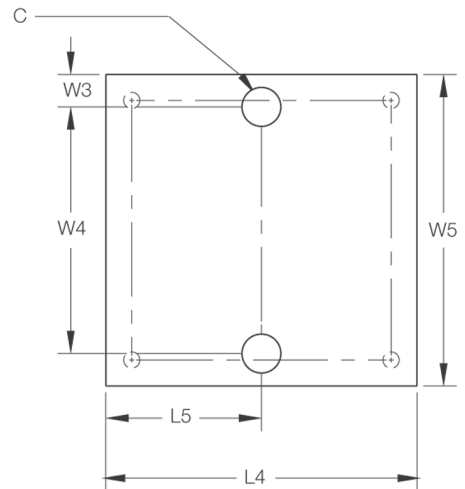
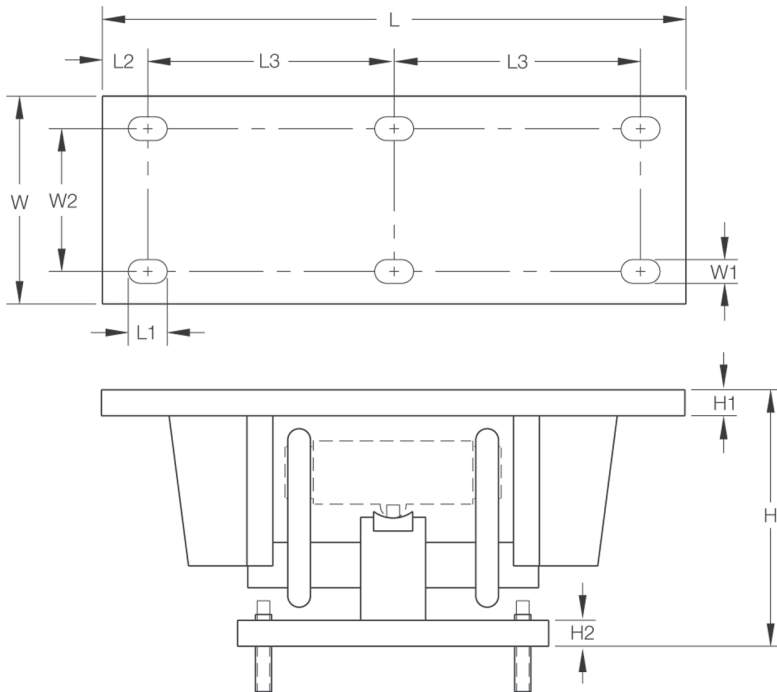
## Order Information

Load Rating (Per Module)	Part #	Price
<b>For Use With RL75223, 5223 Load Cells</b>		
50,000 to 100,000 lb	<b>17970</b>	\$885.00
<b>For Use With RL75040, 65040A Load Cells</b>		
25,000 to 40,000 lb	<b>17971</b>	\$885.00
50,000 to 75,000 lb	<b>17972</b>	\$885.00

Mount only; does not include load cell

## Dimensions

Rated Capacity	C	H	H1	H2	L	L1	L2	L3	L4	L5	W	W1	W2	W3	W4	W5
50,000 to 100,000 (RL75223, 5223)	1.50	12.93	1.00	1.00	22.50	1.50	1.75	9.50	11.75	5.88	7.75	0.91	5.25	1.25	9.25	11.75
25,000 to 40,000 (RL75040, 65040A)	1.50	9.88	1.00	1.00	18.50	1.50	1.75	7.50	11.75	5.88	7.75	0.91	5.25	1.25	9.25	11.75
50,000 to 75,000 (RL75040, 65040A)	1.50	12.82	1.00	1.00	22.50	1.50	1.75	9.50	11.75	5.88	7.75	0.91	5.25	1.25	9.25	11.75



# Motor Truck Scale Electronic Conversion Kit



Picture is a representation of actual product.

## Load Cell Approvals



## Order Information

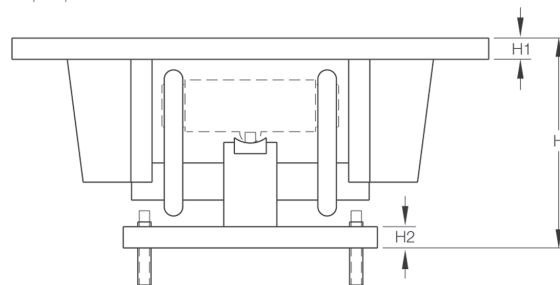
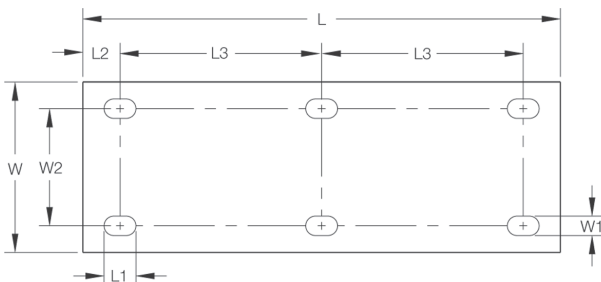
Load Cell Capacity (Per Module)	Part #	Load Cell Used In Kit	Price
<b>4-Module Kit</b>			
25,000 lb	<b>30513</b>	RL75040	\$6,324.00
40,000 lb	<b>30514</b>	RL75040	\$6,854.00
<b>6-Module Kit</b>			
50,000 lb	<b>30515</b>	RL75040	\$10,765.00
60,000 lb	<b>30516</b>	RL75040	\$10,765.00
<b>8-Module Kit</b>			
60,000 lb	<b>30517</b>	RL75040	\$13,899.00
75,000 lb	<b>30518</b>	RL75040	\$13,899.00
100,000 lb	<b>30512</b>	RL75223	\$16,787.00

SD refers to super duty, 100,000 lb capacity welded-seal load cells

## Dimensions

Rated Capacity	C	H*	H1	H2	L	L1	L2	L3	L4	L5	W	W1	W2	W3	W4**	W5
50,000 to 100,000 (RL75223)	1.50	12.93	1.00	1.00	22.50	1.50	1.75	9.50	11.75	5.88	7.75	0.91	5.25	1.25	9.25	11.75
25,000 to 40,000 (RL75040)	1.50	9.88	1.00	1.00	18.50	1.50	1.75	7.50	11.75	5.88	7.75	0.91	5.25	1.25	9.25	11.75
50,000 to 75,000 (RL75040)	1.50	12.82	1.00	1.00	22.50	1.50	1.75	9.50	11.75	5.88	7.75	0.91	5.25	1.25	9.25	11.75

\*Custom heights available; consult



## Complete Kit Includes

- Four, six or eight Translink mounting assemblies with NTEP Certified RL75040 or RL75223 welded-seal load cells
- One JB8SP NEMA Type 4X signal-trim junction box with individual and section trimming capability (six- and eight-mount kits) or one JB4SP NEMA Type 4X signal-trim junction box (four-mount kits)
- One UJB3T6 DC transient protector
- 100 ft of hostile environment EL147HE SURVIVOR® load cell cable

## Standard Features

- Capacity (per module): 25,000 to 100,000 lb
- Cost and time efficient installation; no need to remove weighbridge
- Converts existing scale capacities of 40,000 to 300,000 lb
- Four, six or eight-mount kits for two, three or four section conversions
- Translink™ heavy-capacity mounting assemblies
- Free movement in all directions in the horizontal plane with virtually no friction
- Completely self-centering
- Requires no check rods
- Compatible with VPG® Sensortronics® 65040A or VPG® Revere 5223 load cells

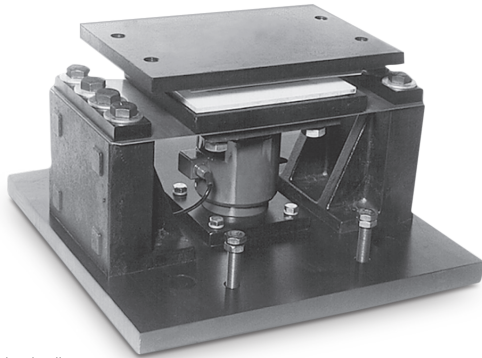
## Applications

- Updating existing mechanical motor truck scales
- Replacing unsatisfactory electronic motor truck scales
- Conversion of heavy-capacity scales into fully electronic vehicle scales where the existing scale cannot be removed

WEIGH MODULES

# MagnaMount™

Mount Assembly



Mount only; does not include load cell.  
Picture is a representation of actual product.

## Standard Features

- Capacities (per module): 50,000 lb, 100,000 lb and 200,000 lb
- Protects load cell from shock and side loads
- Low-profile design
- High-strength load bearing plate made of highgrade carbon steel hardened to Rockwell C 48-54
- PTFE coated shock absorbing pads
- Compatible with VPG® Revere CP and CSP and Rice Lake Weighing Systems RLCSP1 NTEP Certified load cells

## Applications

- Truck scale mount\*
- Heavy-capacity horizontal tanks\*
- Railroad track mount\*

## Order Information

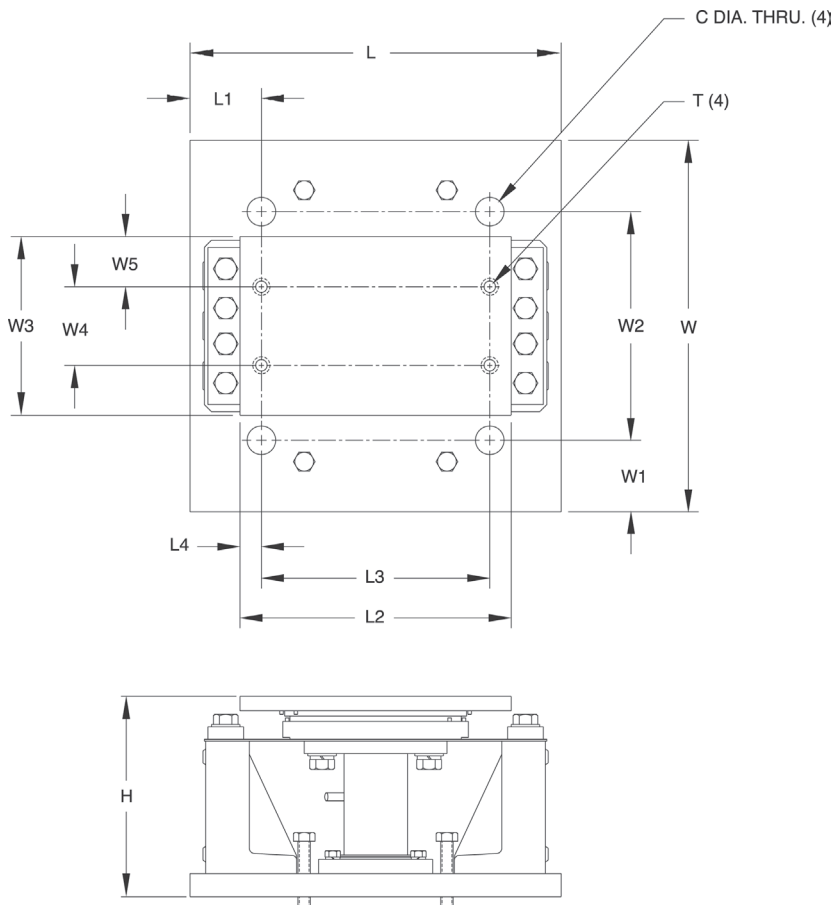
Load Rating (Per Module)	Part #	Price
50,000 lb	<b>21723</b>	\$2,225.00
100,000 lb	<b>21724</b>	\$2,650.00
200,000 lb	<b>17974</b>	\$4,595.00

Mount only; does not include load cell

\*Check rods required

## Dimensions

Rated Capacity	C	H	L	L1	L2	L3	L4	T	W	W1	W2	W3	W4	W5
lb/in														
50,000	1.25	7.39	13.00	1.75	11.25	8.50	1.37	3/4-10 UNC	12.00	1.75	8.50	8.00	4.50	1.75
100,000	1.50	11.29	20.00	2.25	18.00	15.50	1.25	7/8-9 UNC	17.00	2.50	12.00	9.00	5.50	1.75
200,000	2.00	14.10	26.00	5.00	19.00	16.00	1.50	1-8 UNC	26.00	5.00	16.00	12.50	5.50	3.50



WEIGH MODULES

# Mettler Toledo® DigiTOL® Retrofit Kit

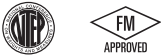
Stainless Steel, Rice Lake Weighing Systems/Flintec

## RC1 Load Cells



Shown here with the JB8SP signal trim junction box.  
Picture is a representation of actual product.

### Load Cell Approvals



## DigiTOL Retrofit Order information

Description	Part #	Price
8 mount kit, RC1-25 t (250kN) load cells, JB8SP junction box	<b>78713</b>	\$9,485.00
8 mount kit, RC1-25 t (250 kN) load cells, JB8SPT junction box	<b>224897</b>	\$9,895.00
10 mount kit, RC1-25 t (250 kN) load cells, two JB8SP junction boxes	<b>78714</b>	\$11,535.00
10 mount kit RC1-25 t (250 kN) load cells, JB8SPT junction box	<b>224898</b>	\$12,225.00
12 mount kit, RC1-25 t (250kN) load cells, JB8SP junction box	<b>152774</b>	\$14,225.00
12 mount kit RC1-25 t (250 kN) load cells, JB8SPT junction box	<b>224899</b>	\$14,900.00

## Complete Kit Includes

- Eight, ten or twelve Flintec® NTEP Certified stainless steel, hermetically sealed rocker column load cells
- Upper and lowers cups
- Grounding straps
- NEMA Type 4X signal trim junction boxes with transient protection
- 100 ft of hostile environment EL147HE SURVIVOR® load cell cable

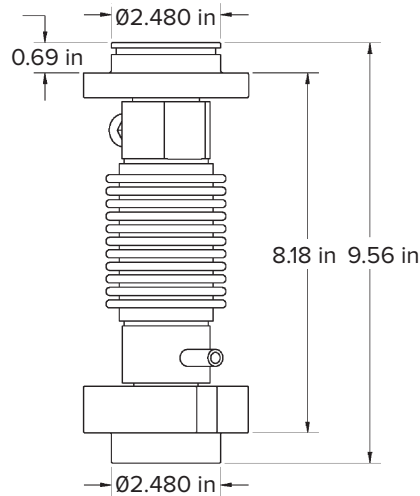
## Standard Features

- Load cells are NTEP Certified 1:10,000 divisions, Class III\*
- Converts existing Mettler Toledo DigiTOL scale to an analog based load cell weighing system
- One-year limited warranty

\*Consult your local Weights & Measures Authorities for local Legal for Trade requirements

## Applications

- Mettler Toledo DigiTOL truck scale conversion



RC1-25 t

WEIGH MODULES

# Mettler Toledo® DigiTOL® Retrofit Kit

Stainless Steel, Rice Lake Weighing Systems/Flintec

## RC3 Load Cells



Shown here with the JB8SP signal trim junction box  
Picture is a representation of actual product

### Load Cell Approvals



## Complete Kit Includes

- Eight, ten or twelve Flintec® NTEP Certified stainless steel, hermetically sealed rocker column load cells
- Upper and lower cups
- Grounding straps
- NEMA Type 4X signal trim junction boxes with transient protection
- 100 ft of hostile environment EL147HE SURVIVOR® load cell cable

## Standard Features

- Load cells are NTEP Certified 1:10,000 divisions, Class IIII\*
- Converts existing Mettler Toledo DigiTOL scale to an analog based load cell weighing system
- One-year limited warranty

\*Consult your local Weights & Measures Authorities for local Legal for Trade requirements

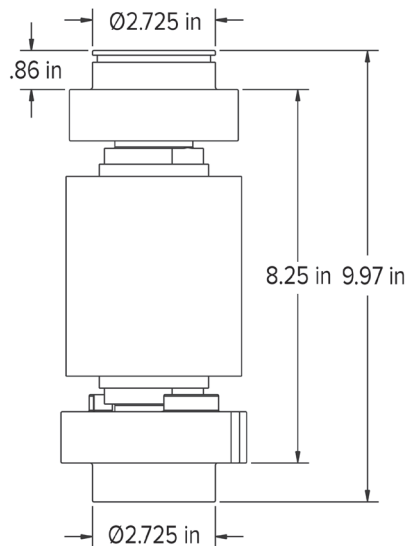
## Applications

- Mettler Toledo DigiTOL truck scale conversion

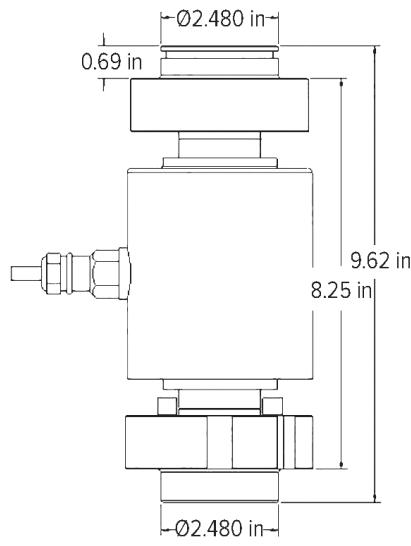
## DigiTOL Retrofit Order information

Description	Part #	Price
8 mount kit RC3-50 t load cells, two EL304A junction boxes (truck/truck combo)	<b>129844</b>	\$12,995.00
8 mount kit RC3-50 t load cells, two EL304A junction boxes (truck only)	<b>154347</b>	\$12,995.00
8 mount kit RC3-50 t load cells, one JB8SPT junction boxes (truck/truck combo)	<b>224900</b>	\$13,200.00
8 mount kit RC3-50 t load cells, one JB8SPT junction boxes (truck only)	<b>224901</b>	\$13,200.00
10 mount kit RC3-50 t load cells, two JB8SPT junction boxes (truck/truck combo)	<b>111367</b>	\$16,100.00
10 mount kit RC3-50 t load cells, three EL304A junction boxes (truck only)	<b>154348</b>	\$16,100.00
10 mount kit RC3-50 t load cells, two JB8SPT junction boxes (truck/truck combo)	<b>224902</b>	\$16,750.00
10 mount kit RC3-50 t load cells, two JB8SPT junction boxes (truck only)	<b>224903</b>	\$16,750.00
12 mount kit RC3-50 t load cells, three EL304A junction boxes (truck only)	<b>154349</b>	\$19,295.00
12 mount kit RC3-50 t load cells, two JB8SPT junction boxes (truck only)	<b>224904</b>	\$19,900.00

WEIGH MODULES



RC3-50 t  
TRACK



RC3-50 t  
TRUCK

# Rice Lake Analog Retrofit Kit

Stainless Steel, Analog Load Cells for B-Tek Digital Conversion to Analog

## RL82021-40t Load Cells



Shown here with the EL304A signal trim junction box. Picture is a representation of actual product.

### Load Cell Approvals



### Complete Kit Includes

- Eight or ten Rice Lake NTEP Certified stainless steel, hermetically sealed, rocker column load cells
- Upper and lower cups
- Grounding Straps
- NEMA Type 4X signal trim junction boxes with transient protection
- 100 ft of hostile environment EL147HE SURVIVOR® load cell cable

### Standard Features

- Load cells are NTEP Certified 1:10,000 divisions, Class III\*
- Converts B-TEK digital CPD-M scales to analog
- Load cells have built-in surge protection and rated to IP69K
- Stainless steel overbraid cable
- Two-year limited warranty

\*Consult your local Weights & Measures Authorities for local Legal for Trade requirements

### Applications

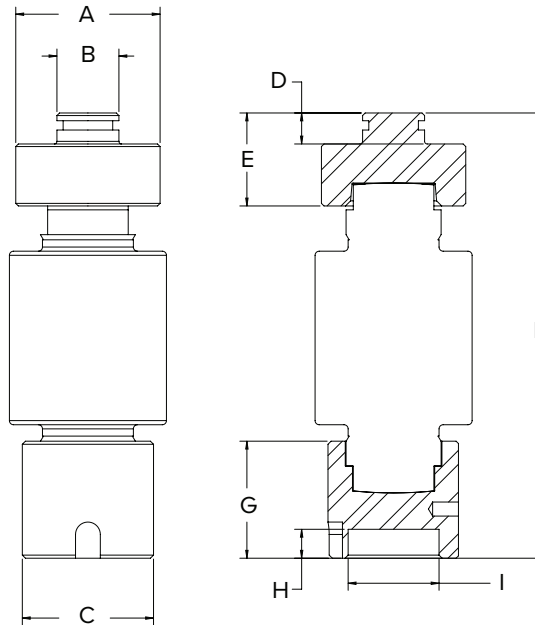
- B-TEK digital truck scale conversion

### Digital Retrofit Order information

Description	Part #	Price
8 mount kit RL82021-40 t load cells, two EL304A junction boxes	<b>216423</b>	\$7,795.00
10 mount kit RL82021-40 t load cells, three EL304A junction boxes	<b>216424</b>	\$9,875.00

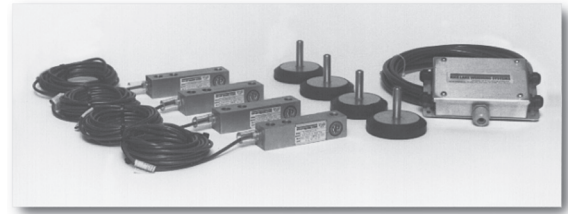
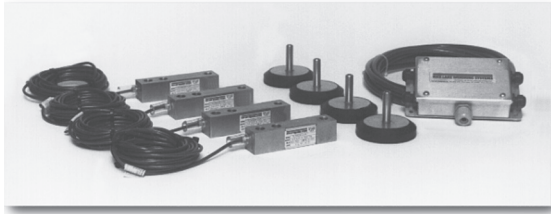
### Dimensions

Analog Load Cells	
A	Ø2.75 in (70 mm)
B	Ø1.18 in (30 mm)
C	Ø2.50 in (64 mm)
D	0.59 in (15 mm)
E	1.77 in (45 mm)
F	8.48 in (215 mm)
G	2.23 in (57 mm)
H	0.55 in (14 mm)
I	Ø1.73 in (44 mm)



WEIGH MODULES

# Electronic Floor Scale Underdeck Kits



Underdeck kits are provided to meet the application needs of the electronic floor scale producer and are an easy source for rebuilding existing floor scales. Underdeck kits are provided with mounting plates and load cell bolts for easy installation.

## Economical Kit

Kit Includes
(4) VPG® Celtron SQB alloy steel NTEP Certified 5,000 d, Class III load cells
(1) JB4SS stainless steel NEMA Type 4X junction box
(4) SureFoot® high-accuracy stainless steel support feet
20 ft EL147HE load cell cable
(4) mounting plates and (8) load cell bolts

## Order Information

Scale Base Capacity	Part #	Price
1,000 lb for 2,000 lb base	<b>26436</b>	\$980.00
2,500 lb for 5,000 lb base	<b>26437</b>	\$980.00
4,000 lb for 10,000 lb base	<b>26438</b>	\$980.00

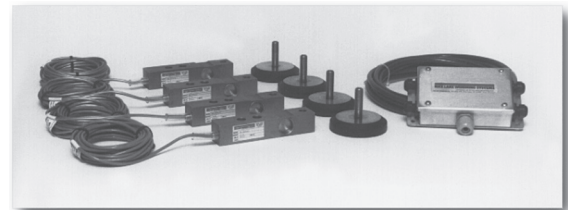
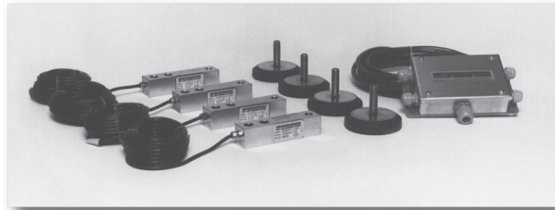
## Chemical, Dry Corrosive & Non-Washdown Applications Kit

Kit Includes
(4) VPG® Celtron SQB-HSS stainless steel NTEP Certified 5,000 d, Class III load cells
(1) JB4SS stainless steel NEMA Type 4X junction box
(4) SureFoot® high-accuracy stainless steel support feet
20 ft EL147HE load cell cable
(4) mounting plates and (8) load cell bolts

## Order Information

Scale Base Capacity	Part #	Price
1,000 lb for 2,000 lb base	<b>19035</b>	\$1,378.00
2,500 lb for 5,000 lb base	<b>19036</b>	\$1,378.00
4,000 lb for 10,000 lb base	<b>19037</b>	\$1,378.00

WEIGH MODULES



## Standard Precision Applications Kit

Kit Includes
(4) Rice Lake RL32018 alloy steel NTEP Certified 5,000 d, Class III load cells
(1) JB4SS stainless steel NEMA Type 4X junction box
(4) SureFoot high-accuracy stainless steel support feet
20 ft EL147HE load cell cable
(4) mounting plates and (8) load cell bolts

NOTES: The use of NTEP Certified load cells in a scale base does not constitute approval of the completed base. Consult with local or state jurisdiction for compliance requirements.

## Order Information

Scale Base Capacity	Part #	Price
1,000 lb for 2,000 lb base	<b>19032</b>	\$1,060.00
2,500 lb for 5,000 lb base	<b>19033</b>	\$1,060.00
4,000 lb for 10,000 lb base	<b>19034</b>	\$1,060.00

## Wet Applications Kit

Kit Includes
(4) Rice Lake RL32018S-HE welded-seal stainless steel NTEP Certified 5,000 d, Class III load cells
(1) JB4SS stainless steel NEMA Type 4X junction box
(4) SureFoot® high-accuracy stainless steel support feet
20 ft EL147HE load cell cable
(4) mounting plates and (8) load cell bolts

## Order Information

Scale Base Capacity	Part #	Price
1,000 lb for 2,000 lb base	<b>19038</b>	\$1,706.00
2,500 lb for 5,000 lb base	<b>19039</b>	\$1,706.00
4,000 lb for 10,000 lb base	<b>19040</b>	\$1,706.00