

Monorail Scales

TABLE OF CONTENTS

MS200 **788**

Portable Monorail Scale

MS202 **790**

Permanent Monorail Scale

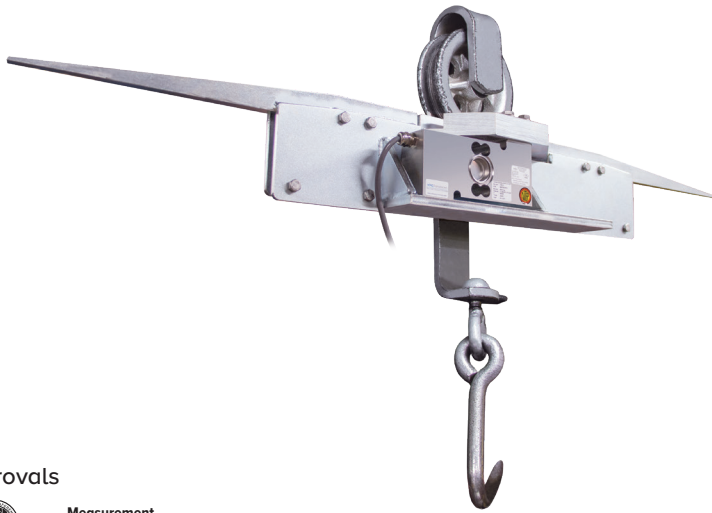
MONORAIL SCALES

The following product names, logos, brands and other trademarks featured or referred to within this publication are the property of their respective trademark holders.

MS200

Portable Monorail Scale

MONORAIL SCALES



Approvals



Measurement
Canada
Approved

Part Number/Price

Part #	Description	Est. Weight	Price
MS200HB for 3/8-in or 1/2-in Rails			
19743	750 lb x 0.5 lb, nickel-plated	38 lb	\$2,650.00
MS200HB for 1/2-in Rails			
213006	1,500 lb x 0.5 lb, nickel-plated	40 lb	\$2,650.00
213007	1,500 lb x 0.5 lb, stainless steel	40 lb	\$2,950.00

Options/Accessories

Part #	Description	Price
16984	Additional operating manual	\$5.00
167585	Replacement load cell for 750 lb cap monorail, model SPT 1510-500 kg, 20 ft cable	\$842.00
227092	Replacement load cell for 1,500 lb cap monorail, model RLPCBC-60, 1,000 kg, 20 ft cable	\$1,025.00
216728	Configuration and Monorail calibration	\$300.00

Standard Features

- 8-in live-rail designed to weigh one trolley at a time
- 750 lb x 0.5 lb (3/8 in rail)
- 1500 lb x 0.5 lb (1/2 in rail)
- Available for rail sizes 3/8 x 2-1/2 in or 1/2 x 2-1/2 in
- Requires less than 41 in of straight rail to install (22 inch between tail hangers)
- Nickel-plated mild steel and stainless steel construction available
- High accuracy, stainless steel load cell
- 20 ft of cable
- Slightly recessed live-rail for the trolley roller provides stable weighments

Specifications

Construction:

Nickel-plated mild steel or stainless steel construction, stainless steel hardware

Load Cell Construction:

Stainless steel

Bridge Resistance:

750 lb: 350 ohm
1,500 lb: 1,000 ohm

Rated Output:

2 mV/V

Nonlinearity:

0.03% full scale

Warranty:

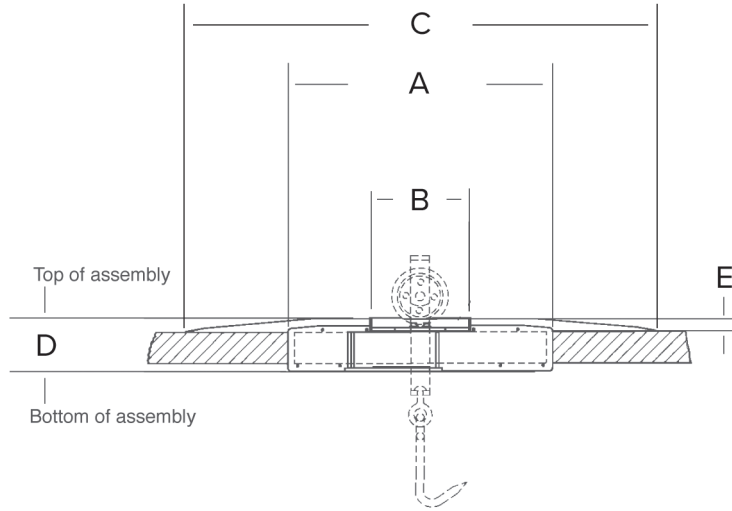
One-year limited

Approvals:

NTEP 90-003 Class III, 3,400d (Max)
Measurement Canada: AM-6244 Class III, 3,400d (1,500 lb/680 kg) stainless steel only

Dimensions

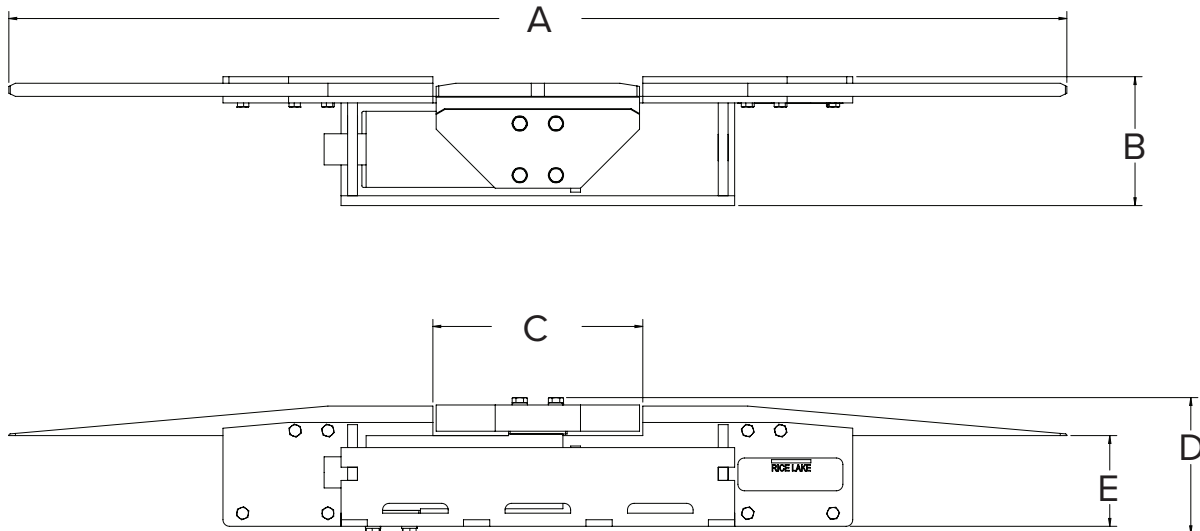
MS200	
750 lb Capacity	
A	21.00 in (533 mm)
B	8.00 in live rail (203 mm)
C	40.32 in (1,024 mm)
D	4.50 in (114 mm)
E	1.13 in (29 mm)



MONORAIL SCALES

Dimensions

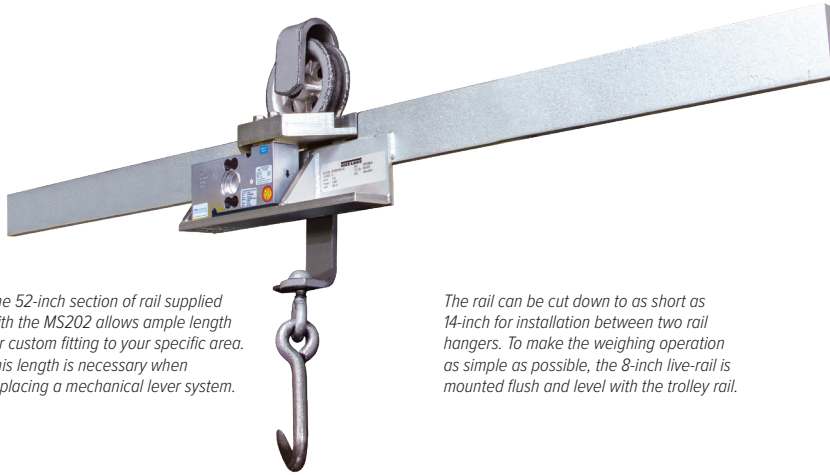
MS200	
1,500 lb Capacity	
A	40.32 in (1,024 mm)
B	4.90 in (125 mm)
C	8.00 in live rail (203 mm)
D	5.19 in (132 mm)
E	3.46 in (88 mm)



MS202

Permanent Monorail Scale

MONORAIL SCALES



The 52-inch section of rail supplied with the MS202 allows ample length for custom fitting to your specific area. This length is necessary when replacing a mechanical lever system.

The rail can be cut down to as short as 14-inch for installation between two rail hangers. To make the weighing operation as simple as possible, the 8-inch live-rail is mounted flush and level with the trolley rail.

Approvals



Measurement
Canada
Approved

Part Number/Price

Part #	Description	Est. Weight	Price
MS202HB for 3/8-in Rails			
19744	MS202HB, 750 lb x 0.5 lb, nickel-plated	38 lb	\$2,600.00
196885	MS202HB-SS, 750 lb x 0.5 lb, stainless steel	38 lb	\$2,900.00
MS202HB for 1/2-in Rails			
213003	MS202HB, 1500 lb x 0.5 lb, nickel-plated	40 lb	\$2,600.00
213004	MS202HB, 1500 lb x 0.5 lb, stainless steel	40 lb	\$2,900.00

Options/Accessories

Part #	Description	Price
16984	Additional operating manual	\$5.00
167585	Replacement load cell for 750 lb cap monorail, model SPT 1510-500 kg, 20 ft cable	\$842.00
227092	Replacement load cell for 1,500 lb cap monorail, model RLPCBC-60, 1,000 kg, 20 ft cable	\$1,025.00
216728	Configuration and Monorail calibration	\$300.00

Standard Features

- 8 in live-rail designed to weigh one trolley at a time
- 750 lb x 0.5 lb (3/8 in rail)
- 1500 lb x 0.5 lb (1/2 in rail)
- Available for rail sizes 3/8 x 2- 1/2 in or 1/2 x 2- 1/2 in
- Requires less than 41 in of straight rail to install (14 in between rail hangers)
- Nickel-plated mild steel and stainless steel construction available
- High accuracy, stainless steel load cell
- 20 ft of cable
- Slightly recessed live-rail for the trolley roller provides stable weighments

Specifications

Construction:

Nickel-plated mild steel or stainless steel construction

Load Cell Construction:

Stainless steel

Bridge Resistance:

750 lb: 350 ohm
1,500 lb: 1,000 ohm

Rated Output:

2 mV/V

Nonlinearity:

0.03% full scale

Warranty:

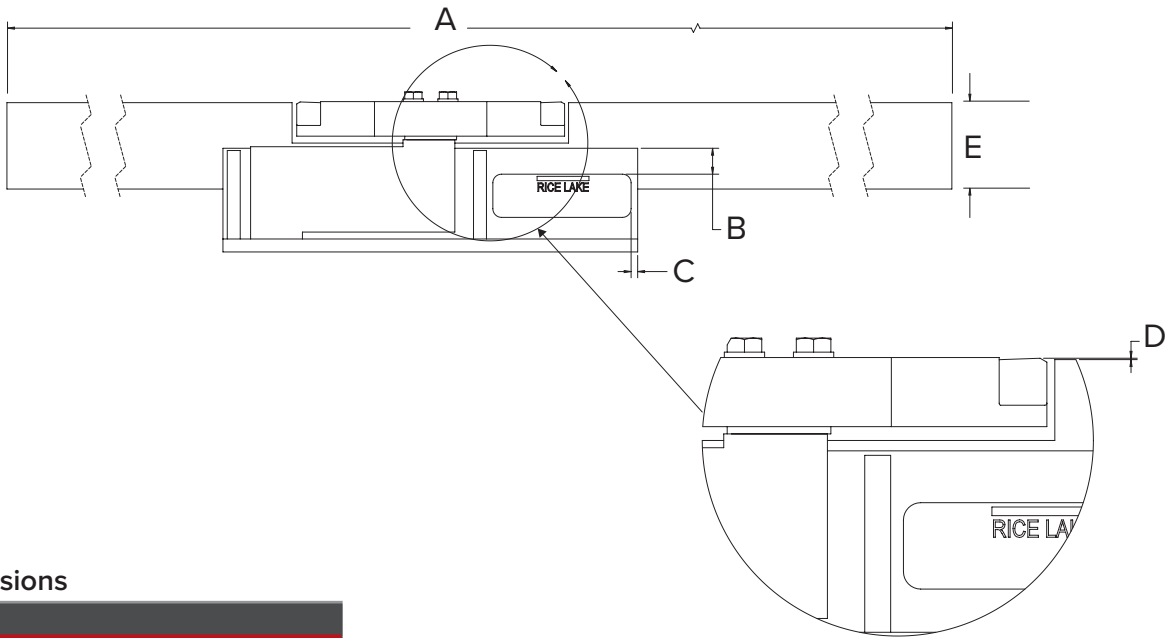
One-year limited

Approvals:

NTEP 90-003 Class III, 3,400 d (Max)
Measurement Canada AM-4849 (750 lb/375 kg) stainless steel only
Measurement Canada AM-6244 (1,500 lb/680 kg)

Dimensions

MS202	
750 lb Capacity	
A	52.00 in (± 0.03 in) (1,321 mm ± 0.76 mm)
B	0.75 in (19 mm)
C	0.19 in (5 mm)
D	0.06/0.02 in (2/0.5 mm)
E	2.50 in (63.5 mm)



MONORAIL SCALES

Dimensions

MS202	
1,500 lb Capacity	
A	52.00 in (±0.03 in) (1,321 mm ± 0.76 mm)
B	4.66 in (118 mm)
C	8.00 in (203 mm)
D	4.59 in (117 mm)
E	2.50 in (64 mm)

