

1200 Series

Low-Profile Alloy Steel/Aluminum, Environmentally Sealed, IP67



Picture is a representation of model 1211

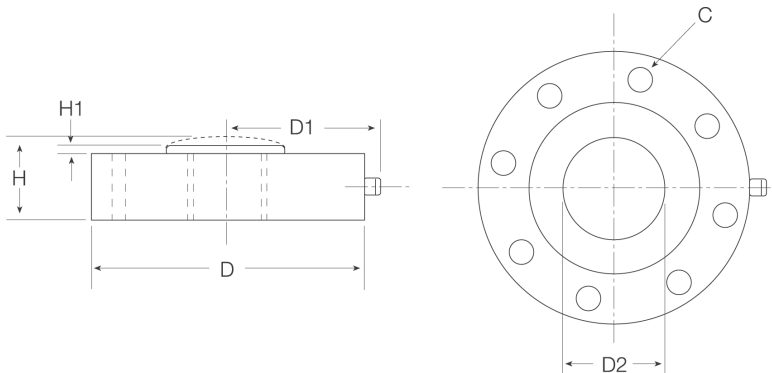
Order Information

Load Rating	Part #	Est. Weight	Price
Aluminum			
Model 1211			
1,000 lb	36132	4 lb	Consult
2,000 lb	36133	4 lb	Consult
Alloy Steel			
Model 1211			
5,000 lb	36134	5 lb	Consult
10,000 lb	36135	5 lb	Consult
Model 1221			
25,000 lb	36136	8 lb	Consult
50,000 lb	36137	8 lb	Consult
Model 1231			
100,000 lb	36138	22 lb	Consult

Consult factory for load cell bases

Dimensions

Rated Capacity	C	D	D1	D2	H	H1
lb/in						
1,000 to 10,000	0.28 dia 8 holes	4.12	2.63	1.34	1.37	0.12
25,000 to 50,000	0.34 dia 4 holes	4.75	2.95	1.57	1.75	0.12
100,000	0.47 dia 12 holes	7.50	4.32	3.12	2.25	0.25



Specifications

Full Scale Output:

1,000 to 2,000 lb: 2.0 mV/V
5,000 to 100,000 lb: 4.0 mV/V

Bridge Resistance:

350 ohm, nominal

Material/Finish:

1,000 to 2,000 lb: Aluminum
5,000 to 100,000 lb: Alloy steel

Temperature:

Operating:
0 °F to 150 °F (-18 °C to 65 °C)

Seal Type:

Environmentally sealed, IP67

Safe Overload:

150% full scale

Rated Excitation:

5 to 10 VDC (20 V maximum)

Nonlinearity:

0.05% full scale

Hysteresis:

0.02 to 0.04% full scale

Insulation Resistance:

5,000 megohm

Cable Length:

10 ft

Cable Color Code:

Red +Excitation
Black -Excitation
Green +Signal
White -Signal

Warranty:

Two-year limited