

VPG Celtron

TABLE OF CONTENTS

S-BEAMS

Page 187

STC, LOW-CAPACITY, ALLOY STEEL



Ideally suited for batching and filling, conveyor and hopper/tank weighing. Nickel plated, high-alloy steel construction. Capacities range from 50 lb to 200 lb. Complete with 20 ft of load cell cable.



Page 188

STC, ALLOY STEEL



Nickel plated, alloy steel construction. Suited for batching, filling and hopper/tank weighing applications. Capacities range from 250 lb to 40,000 lb. Comes with 20 ft of load cell cable.



Page 189

STC SS, STAINLESS STEEL



Industrial S-beam in a protective stainless steel construction. Ideal for tension applications. Capacities range from 250 lb to 10,000 lb. Provided with a standard 20 ft of load cell cable.



Page 190

STC-HSS, STAINLESS STEEL



Features upgraded protection to the standard environmentally sealed S-beam. Ideal for dry, dirty suspended tank, hopper and mechanical replacement applications. Provides a mid-range solution. Available in capacities ranging from 500 lb to 10,000 lb. Each unit includes 20 ft of standard load cell cable.

SINGLE-ENDED BEAMS

Page 191

SQB, ALLOY STEEL



Single-ended beam designed for low-profile scales and platform, hopper and tank weighing applications. NTEP Certified cells in capacities from 1,000 lb to 10,000 lb. Non-NTEP Certified cells in 500 lb, 15,000 lb and 20,000 lb capacities. Complete with 20 ft of load cell cable.



Page 192

SQB-HSS, STAINLESS STEEL



A stainless steel, welded-seal, single-ended beam load cell with exceptional performance and reliability. Suitable for hostile environment applications, such as food and chemical processing. Designed for single or multiple load cell installations and easy adaptation of mounting hardware. Capacities range from 1,000 lb to 10,000 lb. Complete with 20 ft of load cell cable.



Page 193

MBB, ALLOY STEEL



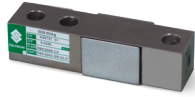
Ultra-small load cell designed for bench, platform, tank and conveyor weighing applications. Nickel plated and environmentally protected with a stainless steel side plate. Capacities range from 50 lb to 250 lb. Complete with 5 ft of load cell cable.



SINGLE-ENDED BEAMS

Page 194

SEB, ALLOY STEEL



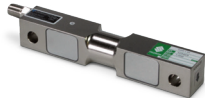
Designed for various scale and process weighing applications, this single-ended beam is manufactured from high-alloy steel and nickel plated to ensure an IP67 rating. OIML approved and metric envelope capacities range from 500 kg to 2.5 t. Comes with 6 m of standard load cell cable.



DOUBLE-ENDED BEAMS

Page 195

DSR, ALLOY STEEL



Double-ended beam with center loading. Designed for tank, hopper and silo applications. Capacities range from 1,000 lb to 75,000 lb. Complete with 25 ft of load cell cable.



Page 211960

CLB, ALLOY STEEL



An alloy steel, nickel-plated, double-ended beam ideal for applications in truck, track, tank and hopper applications. Center-loaded design and compatible with MVS and TSA mounting assemblies. Available in capacities ranging from 20,000 lb to 125,000 lb. Provided with 35 ft of load cell cable.



SINGLE POINTS

Page 197

LPS, ALUMINUM



Most suitable for mass production operations. Constructed of anodized aluminum and fully potted IP65 levels, providing excellent protection against moisture ingress. Available in NTEP capacities ranging from 3 kg to 20 kg, and non-NTEP capacities ranging from 10 kg to 100 kg.



Page 198

LOC, ALUMINUM, HEAVY CAPACITY



Low-profile, off-center loading load cell. Designed for direct mounting of a weighing platform and hanging scales. Long-term stability and durability are maintained. Capacities range from 100 kg to 500 kg. Complete with 3 m of load cell cable.



COMPRESSION CANISTERS

Page 199

LCD, ALLOY STEEL



Environmentally protected, low-profile compression disk. 5,000 lb and 10,000 lb models can also be used in tension-loading applications. The shear web design provides excellent performance and a low-profile feature makes it ideal for applications where height is critical. Capacities range from 5,000 lb to 100,000 lb. Complete with 50 ft of load cell cable.



STC Low Capacity

Alloy Steel, Environmentally Sealed, IP67



Picture is a representation of actual product.

Approvals

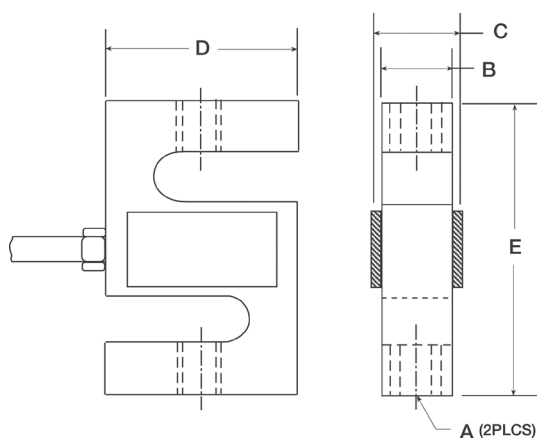


Order Information

Load Rating	Part #	Est. Weight	Price
50 lb	30044	2 lb	\$210.00
100 lb	30045	2 lb	\$210.00
150 lb	30046	2 lb	\$210.00
200 lb	35787	2 lb	\$210.00

Dimensions

Rated Capacity	A	B	C	D	E
lb/in					
50 to 200	1/4-28 UNF	0.50	1.05	2.00	2.50



Interchangeable Products

RICE LAKE WEIGHING SYSTEMS
RL20000I..... page 96

Weigh Module Available

RICE LAKE WEIGHING SYSTEMS
ITCM-Isolated Tension Cell Mount..... page 38

Specifications

Full Scale Output:
 3.0 mV/V (50 lb capacity, 2.0 mV/V)

Output Resistance:
 350 (± 3) ohm

Input Resistance:
 385 (± 5) ohm

Material/Finish:
 High-alloy steel, nickel plated

Temperature:
 Operating:
 0 °F to 150 °F (-18 °C to 65 °C)

Seal Type:
 Environmentally sealed, IP67

Safe Overload:
 150% full scale

Rated Excitation:
 5 to 15 VDC

Nonlinearity:
 0.03% full scale

Hysteresis:
 0.02% full scale

Insulation Resistance:
 5,000 megohm

Cable Length:
 20 ft

Cable Diameter:
 0.200 in
 Polyurethane jacket

Cable Color Code:
 Red +Excitation
 Black -Excitation
 Green +Signal
 White -Signal

Warranty:
 One-year limited

Approvals:
 cFMus

S-BEAM
STC

Alloy Steel, Environmentally Sealed, NTEP Certified 1:5,000 III/1:10,000 IIIL Single Cell, IP67

VPG® CELTRON®



Picture is a representation of actual product

Approvals



Order Information

Load Rating	Part #	Est. Weight	Price
NTEP Certified			
250 lb	30047	2 lb	\$225.00
500 lb	30051	2 lb	\$225.00
750 lb	30054	2 lb	\$225.00
1,000 lb	30067	2 lb	\$225.00
1,500 lb	30069	2 lb	\$225.00
2,000 lb	30072	3 lb	\$225.00
2,500 lb	30073	3 lb	\$225.00
3,000 lb	30074	3 lb	\$285.00
5,000 lb	30076	3 lb	\$410.00
10,000 lb	30077	5 lb	\$410.00
15,000 lb	30078	9 lb	\$515.00
20,000 lb	30079	17 lb	\$810.00
Non-NTEP Certified			
40,000 lb	46674	39 lb	\$955.00

Special Load Cells

Load Rating	Part #	Est. Weight	Price
30 ft Cable Matched Outputs			
3,000 lb	67882	3 lb	\$310.00
5,000 lb	67881	4 lb	\$550.00
20,000 lb	67883	17 lb	\$895.00

Dimensions

Rated Capacity	A	B	C	D	E
lb/in					
250	3/8-24 UNF	0.75	0.50	2.00	3.00
500 to 1,500	1/2-20 UNF	1.00	0.75	2.00	3.00
2,000 to 3,000	1/2-20 UNF	1.25	1.00	2.00	3.00
5,000	3/4-16 UNF	1.25	1.00	3.00	4.25
10,000	3/4-16 UNF	1.25	1.00	3.50	4.75
15,000	1-14 UNS	1.50	1.25	4.00	5.50
20,000	1 1/4-12 UNF	2.19	2.00	5.00	7.00
40,000	1 1/2-12 UNF	2.75	2.50	6.00	10.00

Interchangeable Products

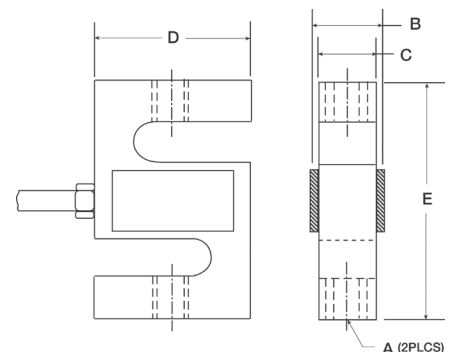
RICE LAKE WEIGHING SYSTEMS
RL20001I page 99
 VPG® SENSORTRONICS®
60001.....page 275

Weigh Module Available

RICE LAKE WEIGHING SYSTEMS
ITCM-Isolated Tension Cell Mount..... page 38

Specifications

- Full Scale Output:**
3.0 mV/V nominal
- Output Resistance:**
350 (± 3) ohm
- Input Resistance:**
385 (± 5) ohm
- Material/Finish:**
High-alloy steel, nickel plated
- Temperature:**
Compensated:
14 °F to 104 °F (-10 °C to 40 °C)
Operating:
0 °F to 150 °F (-18 °C to 65 °C)
- Seal Type:**
Environmentally sealed, IP67
- Safe Overload:**
150% full scale
- Combined Error:**
0.02% full scale
- Rated Excitation:**
5 to 15 VDC
- Non-repeatability:**
0.01% full scale
- Insulation Resistance:**
5,000 megohm
- Cable Length:**
20 ft
- Cable Diameter:**
250 to 20,000 lb: 0.200 in
40,000 lb: 0.305 in
Polyurethane jacket
- Cable Color Code:**
Red +Excitation
Black -Excitation
Green +Signal
White -Signal
- Warranty:**
One-year limited
- Approvals:**
cFMus
NTEP





Picture is a representation of actual product

Approvals

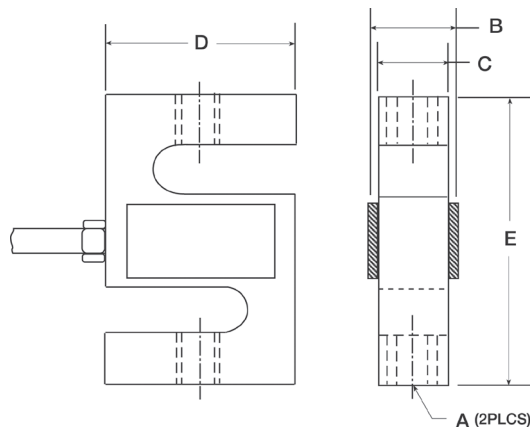


Order Information

Load Rating	Part #	Est. Weight	Price
250 lb	46659	2 lb	\$325.00
500 lb	46661	2 lb	\$325.00
750 lb	46662	2 lb	\$325.00
1,000 lb	46663	2 lb	\$325.00
1,500 lb	46664	2 lb	\$325.00
2,000 lb	46665	2 lb	\$325.00
2,500 lb	46666	3 lb	\$350.00
3,000 lb	46667	2 lb	\$350.00
5,000 lb	46668	4 lb	\$485.00
10,000 lb	46669	4 lb	\$495.00

Dimensions

Rated Capacity	A	B	C	D	E
lb/in					
250	3/8-24 UNF	0.75	0.50	2.00	3.00
500 to 1,500	1/2-20 UNF	1.00	0.75	2.00	3.00
2,000 to 3,000	1/2-20 UNF	1.25	1.00	2.00	3.00
5,000	3/4-16 UNF	1.25	1.00	3.00	4.25
10,000	3/4-16 UNF	1.25	1.00	3.50	4.25



Interchangeable Products

VPG® SENSORTRONICS®
60050page 276

Specifications

- Full Scale Output:**
3.0 mV/V nominal
- Output Resistance:**
350 (± 3) ohm
- Input Resistance:**
385 (± 5) ohm
- Material/Finish:**
Stainless steel
- Temperature:**
Operating:
0 °F to 150 °F (-18 °C to 65 °C)
- Seal Type:**
Environmentally sealed, IP67
- Safe Overload:**
150% full scale
- Rated Excitation:**
5 to 15 VDC
- Nonlinearity:**
0.03% full scale
- Hysteresis:**
0.02% full scale
- Insulation Resistance:**
5,000 megohm
- Cable Length:**
20 ft
- Cable Diameter:**
0.200 in
Polyurethane jacket
- Cable Color Code:**
Red +Excitation
Black -Excitation
Green +Signal
White -Signal
- Warranty:**
One-year limited
- Approvals:**
cFMus



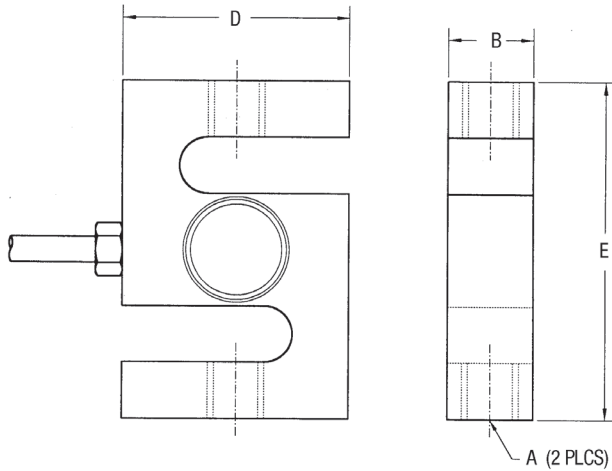
Picture is a representation of actual product

Order Information

Load Rating	Part #	Est. Weight	Price
500 lb	69326	2 lb	\$493.00
750 lb	69327	2 lb	\$493.00
1,000 lb	69328	2 lb	\$493.00
1,500 lb	69329	2 lb	\$493.00
2,000 lb	69330	2 lb	\$493.00
2,500 lb	69331	2 lb	\$493.00
3,000 lb	69332	2 lb	\$525.00
5,000 lb	69333	4 lb	\$736.00
10,000 lb	69334	4 lb	\$736.00

Dimensions

Rated Capacity	A	B	D	E
lb/in				
500 to 3,000	1/2-20 UNF	1.00	2.00	2.97
5,000 to 10,000	3/4-16 UNF	1.00	3.00	4.25



Weigh Module Available

RICE LAKE WEIGHING SYSTEMS
**ITCM-Isolated
 Tension Cell Mount..... page 38**

Specifications

- Full Scale Output:**
2.0 mV/V
- Output Resistance:**
350 (± 3) ohm
- Input Resistance:**
385 (± 5) ohm
- Material/Finish:**
Stainless steel
- Temperature:**
Operating:
0 °F to 150 °F (-18 °C to 65 °C)
- Seal Type:**
Welded-seal, IP67
- Safe Overload:**
150% full scale
- Rated Excitation:**
5 to 15 VDC
- Combined Error:**
0.05%
- Insulation Resistance:**
5,000 megohm
- Cable Length:**
20 ft
- Cable Diameter:**
0.200 in
Polyurethane jacket
- Cable Color Code:**
Red +Excitation
Black -Excitation
Green +Signal
White -Signal
- Warranty:**
One-year limited



Picture is a representation of actual product

Approvals



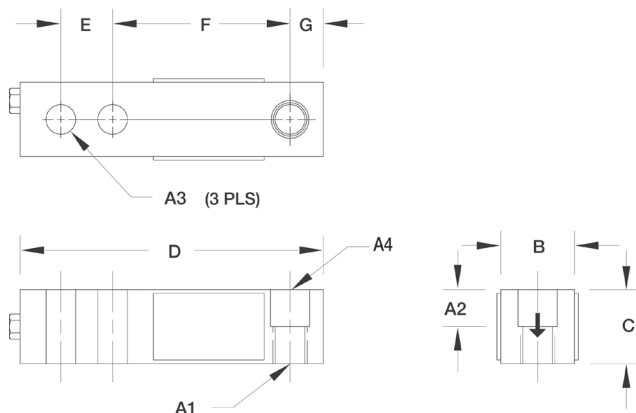
Order Information

Load Rating	Part #	Est. Weight	Price
NTEP Certified			
1,000 lb	30106	3 lb	\$215.00
2,000 lb	30109	3 lb	\$215.00
2,500 lb	30112	3 lb	\$215.00
3,000 lb	30113	3 lb	\$215.00
4,000 lb	30270	3 lb	\$215.00
5,000 lb SE	30114	3 lb	\$215.00
5,000 lb LE	30115	5 lb	\$365.00
10,000 lb	30117	5 lb	\$365.00
Non-NTEP Certified			
500 lb	30101	3 lb	\$215.00
15,000 lb	30118	9 lb	\$475.00
20,000 lb	30121	10 lb	\$495.00

SE=small envelope; LE=large envelope

Dimensions

Rated Capacity	A4	A2	A3	A1	B	C	D	E	F	G
lb/in										
500	0.53 dia	0.50	0.53	1/2-20 UNF	1.25	1.00	5.12	1.00	3.00	0.50
1,000 to 5,000 SE	0.53 dia	0.62	0.53	1/2-20 UNF	1.25	1.25	5.12	1.00	3.00	0.50
5,000 LE to 10,000	0.78 dia	0.75	0.78	3/4-16 UNF	1.50	1.50	6.75	1.50	3.75	0.75
15,000 to 20,000	1.03 dia	1.00	1.03	1-14 UNS	2.00	2.00	8.88	2.00	4.88	1.00



Interchangeable Products

VPG® SENSORTRONICS®
65023A.....page 281

Weigh Module Available

RICE LAKE WEIGHING SYSTEMS
RL50210TA.....page 41
RICE LAKE WEIGHING SYSTEMS
RL1800 Series.....page 52

Specifications

- Full Scale Output:**
3.0 mV/V
- Output Resistance:**
350 (± 3) ohm
- Input Resistance:**
385 (± 5) ohm
- Material/Finish:**
High-alloy steel, nickel plated
- Temperature:**
Compensated:
14 °F to 104 °F (-10 °C to 40 °C)
Operating:
0 °F to 150 °F (-18 °C to 65 °C)
- Seal Type:**
Environmentally sealed, IP67
- Safe Overload:**
150% full scale
- Safe Sideload:**
100% full scale
- Rated Excitation:**
5 to 15 VDC
- Combined Error:**
0.02% full scale
- Insulation Resistance:**
5,000 megohm
- Deflection at Capacity:**
500 to 1,000 lb: 0.013 in
2,000 to 3,000 lb: 0.015 in
4,000 to 5,000 lb: 0.025 in
10,000 lb: 0.035 in
- Cable Length:**
20 ft
- Cable Diameter:**
0.200 in
Polyurethane jacket
- Cable Color Code:**
Red +Excitation
Black -Excitation
Green +Signal
White -Signal
- Warranty:**
One-year limited
- Approvals:**
cFMus
NTEP

SQB-HSS

Stainless Steel, Welded Seal, NTEP Certified 1:5,000 Class III Multiple Cell, IP67



Picture is a representation of actual product

Approvals



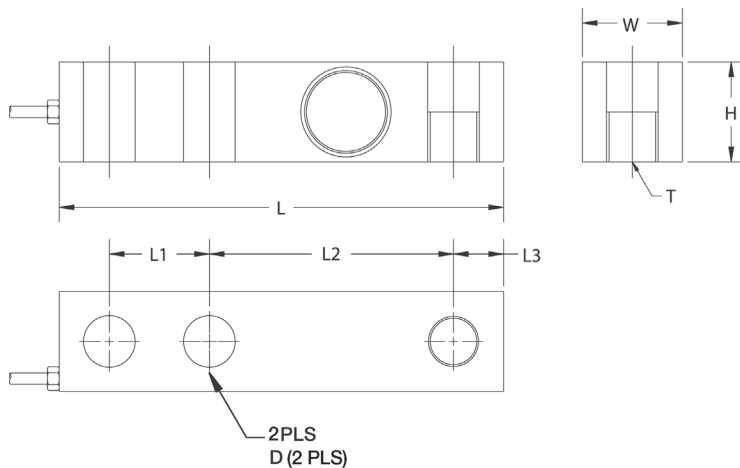
Order Information

Load Rating	Part #	Est. Weight	Price
1,000 lb	67118	3 lb	\$344.00
2,000 lb	67119	3 lb	\$344.00
2,500 lb	67120	3 lb	\$344.00
3,000 lb	67121	3 lb	\$344.00
4,000 lb	67122	3 lb	\$344.00
5,000 lb SE	67123	3 lb	\$344.00
5,000 lb LE	67124	5 lb	\$450.00
10,000 lb	67125	5 lb	\$450.00

SE=small envelope; LE=large envelope

Dimensions

Rated Capacity	L	L1	L2	L3	W	H	D	T
lb/in								
1,000 to 5,000 SE	5.12	1.00	3.00	0.50	1.25	1.25	0.53	1/2-20 UNF
5,000 LE to 10,000	6.75	1.50	3.75	0.75	1.50	1.50	0.78	3/4-16 UNF



Interchangeable Products

VPG® SENSORTRONICS®
65083..... page 284

Weigh Module Available

RICE LAKE WEIGHING SYSTEMS
RL1800 Series..... page 52

Specifications

- Full Scale Output:**
3.0 mV/V
- Output Resistance:**
350 (± 3) ohm
- Input Resistance:**
385 (± 5) ohm
- Material/Finish:**
Stainless steel
- Temperature:**
Compensated:
14 °F to 104 °F (-10 °C to 40 °C)
Operating:
0 °F to 150 °F (-18 °C to 65 °C)
- Seal Type:**
Welded-seal, IP67
- Safe Overload:**
150% full scale
- Safe Sideload:**
100% full scale
- Rated Excitation:**
5 to 15 VDC
- Combined Error:**
0.02 full scale
- Insulation Resistance:**
5,000 megohm
- Cable Length:**
20 ft
- Cable Diameter:**
0.200 in
Polyurethane jacket
- Cable Color Code:**
Red +Excitation
Black -Excitation
Green +Signal
White -Signal
- Warranty:**
One-year limited
- Approvals:**
cFMus
NTEP



Picture is a representation of actual product

Approvals

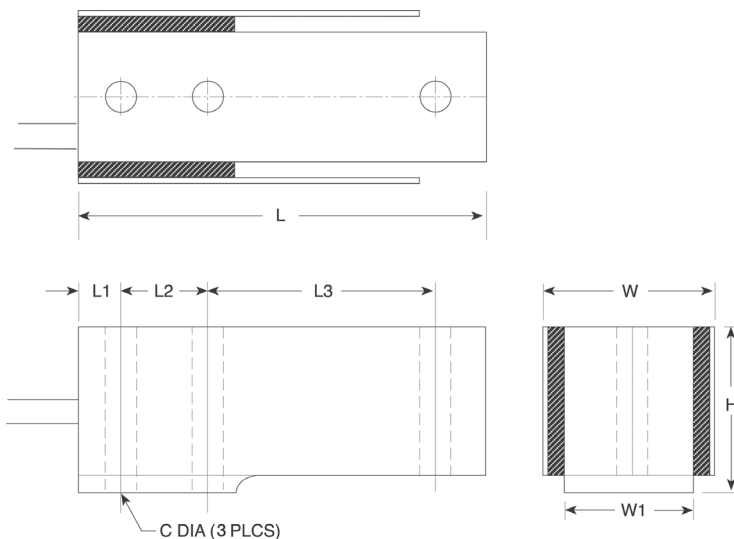


Order Information

Load Rating	Part #	Est. Weight	Price
50 lb	30130	2 lb	\$205.00
100 lb	30131	2 lb	\$205.00
150 lb	30132	2 lb	\$205.00
250 lb	35786	2 lb	\$205.00

Dimensions

Rated Capacity	C	W	W1	H	L	L1	L2	L3
50 to 150	0.17	0.75	0.50	0.98	2.38	0.25	0.50	1.33
250	0.17	1.00	0.75	0.98	2.38	0.25	0.50	1.33



Interchangeable Products

INTERFACE®
MB

Specifications

Full Scale Output:

3.0 mV/V

Output Resistance:

350 (± 3) ohm

Input Resistance:

385 (± 5) ohm

Material/Finish:

High-alloy steel, nickel plated

Temperature:

Operating:
0 °F to 150 °F (-18 °C to 65 °C)

Seal Type:

Environmentally sealed, IP65

Safe Overload:

150% full scale

Rated Excitation:

5 to 15 VDC

Nonlinearity:

0.03% full scale

Hysteresis:

0.02% full scale

Insulation Resistance:

5,000 megohm

Cable Length:

5 ft

Cable Color Code:

Red +Excitation
Black -Excitation
Green +Signal
White -Signal

Warranty:

One-year limited

Approvals:

cFMus

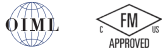
SEB

Alloy Steel, Environmentally Sealed, OIML C3, IP67



Picture is a representation of actual product

Approvals

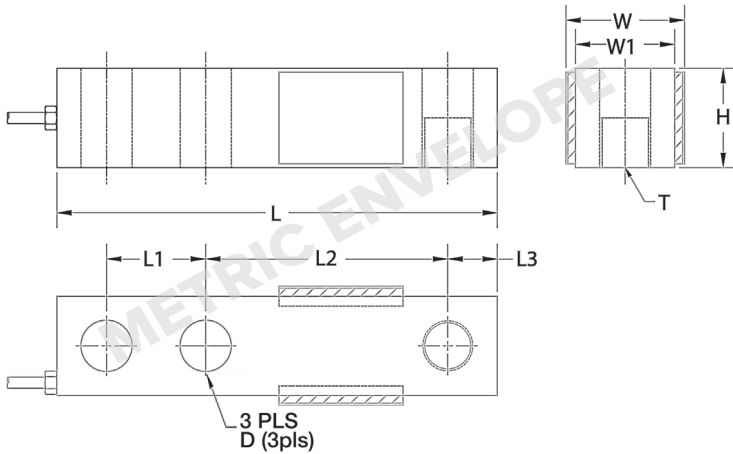


Order Information

Load Rating	Part #	Est. Weight	Price
500 kg	69315	3 lb	\$228.00
1 t	69316	3 lb	\$228.00
2 t	69318	3 lb	\$228.00
2.5 t	69319	3 lb	\$228.00

Dimensions

Rated Capacity	L	L1	L2	L3	W	W1	H	D	T
kg-t/mm									
500 to 2.5	130.0	25.4	76.2	12.7	38.1	31.8	31.8	13.5	M12 × 1.75



Specifications

- Full Scale Output:**
3.0 mV/V
- Output Resistance:**
350 (± 3) ohm
- Input Resistance:**
385 (± 5) ohm
- Material/Finish:**
High-alloy steel, nickel plated
- Temperature:**
Compensated:
14 °F to 104 °F (-10 °C to 40 °C)
Operating:
0 °F to 150 °F (-18 °C to 65 °C)
- Seal Type:**
Environmentally sealed, IP67
- Safe Overload:**
150% full scale
- Safe Sideload:**
100% full scale
- Rated Excitation:**
5 to 15 VDC
- Combined Error:**
0.025%
- Insulation Resistance:**
5,000 megohm
- Cable Length:**
6 m
- Cable Diameter:**
0.200 in
Polyurethane jacket
- Cable Color Code:**
Red +Excitation
Black -Excitation
Green +Signal
White -Signal
- Warranty:**
One-year limited
- Approvals:**
cFMus
OIML



Picture is a representation of actual product

Approvals



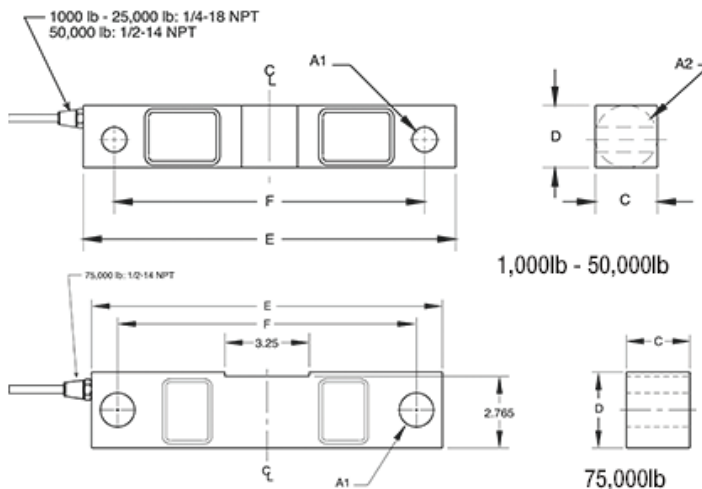
Order Information

Load Rating	Part #	Est. Weight	Price
1,000 lb	30080	4 lb	\$525.00
1,500 lb	30081	4 lb	\$525.00
2,000 lb	30088	4 lb	\$525.00
2,500 lb	30089	4 lb	\$525.00
3,000 lb	30091	4 lb	\$525.00
5,000 lb	30094	4 lb	\$525.00
10,000 lb	30095	7 lb	\$610.00
15,000 lb	30096	7 lb	\$610.00
20,000 lb	30097	7 lb	\$610.00
25,000 lb	30098	7 lb	\$610.00
50,000 lb	30099	25 lb	\$875.00
75,000 lb*	30100	25 lb	\$875.00

*75,000 lb capacity has a square center

Dimensions

Rated Capacity	A1	A2	C	D	E	F
1,000 to 5,000	0.50	1.25	1.25	1.25	7.50	6.25
10,000 to 25,000	0.81	1.99	1.44	1.94	8.75	7.50
50,000	1.31	3.00	2.44	2.94	13.50	11.50
75,000	1.31	—	2.44	2.94	13.50	11.50



Interchangeable Products

- RICE LAKE WEIGHING SYSTEMS
RL75016 page 133
- RICE LAKE WEIGHING SYSTEMS
RL75016WHE..... page 137
- VPG® SENSORTRONICS®
65016..... page 290
- VPG® REVERE
5203

Weigh Module Available

- RICE LAKE WEIGHING SYSTEMS
RL1600 Series .page 70 and page 71

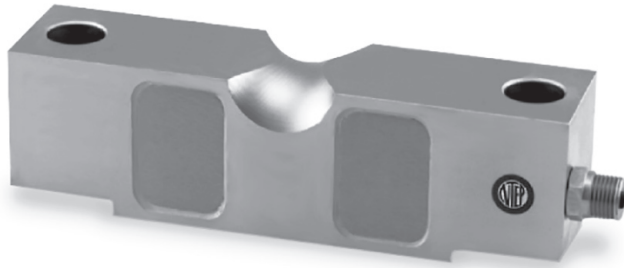
Specifications

- Full Scale Output:**
3.0 mV/V
- Output Resistance:**
700 (± 5) ohm
- Input Resistance:**
770 (± 10) ohm
- Material/Finish:**
High-alloy steel, nickel plated
- Temperature:**
Operating:
0 °F to 150 °F (-18 °C to 65 °C)
- Seal Type:**
Environmentally sealed, IP67
- Safe Overload:**
150% full scale
- Safe Sideload:**
100% full scale
- Rated Excitation:**
5 to 15 VDC
- Nonlinearity:**
0.03% full scale
- Hysteresis:**
0.02% full scale
- Insulation Resistance:**
5,000 megohm
- Deflection at Capacity:**
1,000 to 3,000 lb: 0.01 in
5,000 lb: 0.015 in
10,000 to 20,000 lb: 0.022 in
25,000 lb: 0.036 in
50,000 lb: 0.052 in
75,000 lb: 0.07 in
- Cable Length:**
25 ft
- Cable Diameter:**
1,000 to 25,000 lb: 0.200 in
50,000 to 75,000 lb: 0.305 in
Polyurethane jacket
- Cable Color Code:**
Red +Excitation
Black -Excitation
Green +Signal
White -Signal
- Warranty:**
One-year limited
- Approvals:**
cFMus

CLB

Alloy Steel, Environmentally Sealed, NTEP Certified 1:10,000 Class III Multiple Cell, IP67

VPG® CELTRON®



Picture is a representation of actual product

Approvals

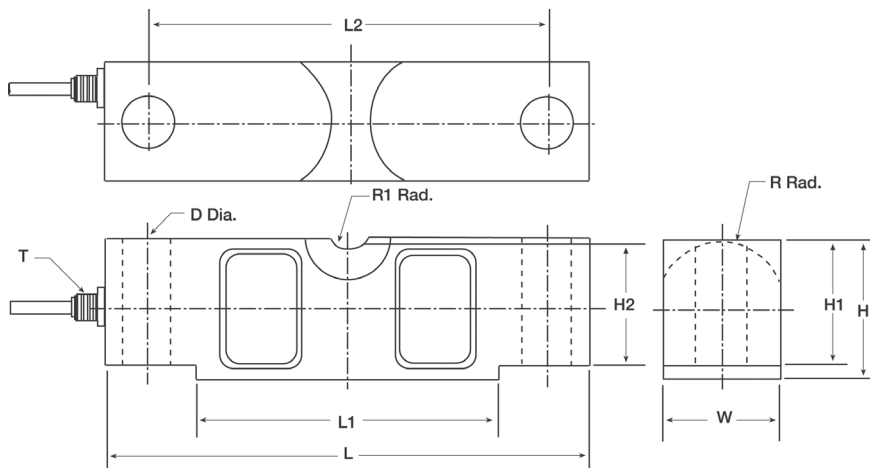


Order Information

Load Rating	Part #	Est. Weight	Price
20,000 lb	46675	8 lb	\$646.00
25,000 lb	46676	8 lb	\$662.00
40,000 lb	46677	13 lb	\$790.00
50,000 lb	46678	19 lb	\$858.00
60,000 lb	46679	19 lb	\$858.00
75,000 lb	46680	19 lb	\$858.00
125,000 lb	46682	40 lb	\$1,563.00

Dimensions

Rated Capacity	L	L1	L2	W	H	H1	H2	D	R	R1	T
lb/in											
20,000 to 25,000	7.75	4.99	6.50	1.69	1.94	1.70	1.63	0.68	0.90	0.75	1/4-18 NPT
40,000	10.25	6.39	8.50	1.94	2.44	2.10	2.00	0.81	1.12	1.00	1/4-18 NPT
50,000 to 75,000	10.25	6.39	8.50	2.44	2.94	2.65	2.54	1.06	1.37	1.00	1/2-14 NPT
125,000	15.25	8.99	12.75	2.90	3.86	2.43	3.30	1.62	1.80	1.50	1/2-14 NPT



Interchangeable Products

RICE LAKE WEIGHING SYSTEMS
RL75058I..... page 138
 VPG® SENSORTRONICS®
65058A..... page 293

Weigh Module Available

RICE LAKE WEIGHING SYSTEMS
MVS..... page 77

Specifications

- Full Scale Output:**
3.0 mV/V
- Output Resistance:**
700 (± 5) ohm
- Input Resistance:**
770 (± 10) ohm
- Material/Finish:**
High-alloy steel, nickel plated
- Temperature:**
Compensated:
14 °F to 104 °F (-10 °C to 40 °C)
Operating:
0 °F to 150 °F (-18 °C to 65 °C)
- Seal Type:**
Environmentally sealed, IP67
- Safe Overload:**
150% full scale
- Safe Sideload:**
100% full scale
- Rated Excitation:**
5 to 15 VDC
- Combined Error:**
0.025%
- Insulation Resistance:**
5,000 megohm
- Cable Length:**
25 ft
- Cable Diameter:**
20,000 to 25,000 lb: 0.200 in
40,000 to 125,000 lb: 0.305 in
Polyurethane jacket
- Cable Color Code:**
Red +Excitation
Black -Excitation
Green +Signal
White -Signal
- Warranty:**
One-year limited
- Approvals:**
cFMus
NTEP



Picture is a representation of actual product

Approvals

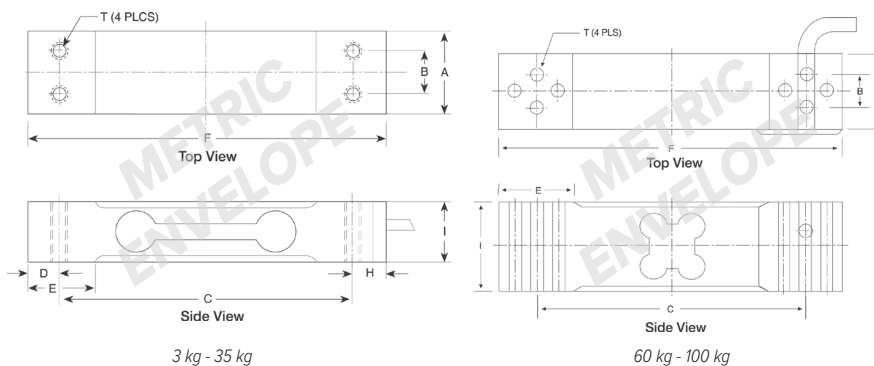


Order Information

Load Rating	Part #	Est. Weight	Price
NTEP Certified			
3 kg	41822	1 lb	\$138.00
6 kg	41823	1 lb	\$138.00
10 kg	41824	1 lb	\$138.00
15 kg	41825	1 lb	\$138.00
20 kg	41826	1 lb	\$138.00
Non-NTEP Certified			
10 kg	30145	1 lb	\$127.00
15 kg	30146	1 lb	\$127.00
20 kg	30147	1 lb	\$127.00
30 kg	46502	1 lb	\$127.00
35 kg	30148	1 lb	\$127.00
60 kg	41149	2 lb	\$127.00
100 kg	41150	2 lb	\$127.00

Dimensions

Rated Capacity	A	B	C	D	E	F	H	I	T
kg/mm									
3	15.0	7.0	58.0	6.0	12.0	70.0	6.0	22.0	M3 × 0.5
6 to 20	30.0	15.0	106.0	12.0	25.0	130.0	12.0	22.0	M6 × 1.0
30 to 35	40.0	15.0	106.0	12.0	25.0	130.0	12.0	22.0	M6 × 1.0
60 to 100	35.0	15.0	117.0	-	-	150.0	-	40.0	M6 × 1.0



Interchangeable Products

- RICE LAKE WEIGHING SYSTEMS
- RL1521A**.....page 158
- VPG® TEDEA-HUNTLEIGH®
- 1022**page 310
- VPG® BLH
- C2G1**
- NMB®
- C2G1**

Specifications

- Full Scale Output:**
2.0 mV/V
- Output Resistance:**
350 (± 3) ohm
- Input Resistance:**
410 (± 15) ohm
- Material/Finish:**
Aluminum
- Temperature:**
Compensated:
14 °F to 104 °F (-10 °C to 40 °C)
Operating:
0 °F to 150 °F (-18 °C to 65 °C)
- Seal Type:**
Environmentally sealed, IP65
- Safe Overload:**
150% full scale
- Rated Excitation:**
5 to 15 VDC
- Combined Error:**
0.25% full scale
- Non-repeatability:**
0.02%
- Insulation Resistance:**
5,000 megohm
- Cable Length:**
3 to 35 kg: 16.5 in
60 kg: 14 in
100 kg: 6.5 ft
- Cable Diameter:**
0.14 in
PVC jacket
- Cable Color Code:**
Red +Excitation
Black -Excitation
Green +Signal
White -Signal
- Max Platform Size:**
13.75 × 13.75 in
- Warranty:**
One-year limited
- Approvals:**
cFMus
NTEP

VPG® CELTRON®

LOC Heavy Capacity

Aluminum, Environmentally Sealed, NTEP Certified 1:5,000 Class III Single Cell, IP65



Picture is a representation of actual product

Approvals

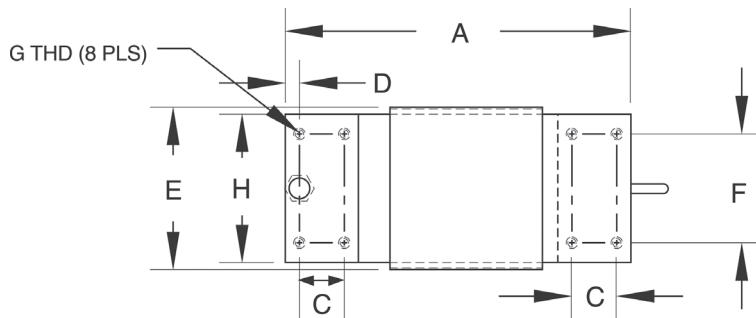


Order Information

Load Rating	Part #	Est. Weight	Price
100 kg	39797	7 lb	\$313.00
150 kg	39796	7 lb	\$313.00
250 kg	39795	7 lb	\$313.00
300 kg	39794	7 lb	\$313.00
500 kg	39793	7 lb	\$313.00

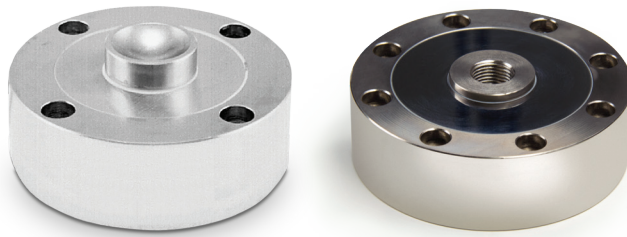
Dimensions

Rated Capacity	A	C	D	E	F	G	H
kg/mm							
100 to 500	191.0	25.0	11.0	82.0	60.0	5/16-18 UNC x 20 DP	75.0



Specifications

- Full Scale Output:**
2.0 mV/V
- Output Resistance:**
350 (± 3) ohm
- Input Resistance:**
410 (± 10) ohm
- Material/Finish:**
Aluminum
- Temperature:**
Compensated:
14 °F to 104 °F (-10 °C to 40 °C)
Operating:
0 °F to 150 °F (-18 °C to 65 °C)
- Seal Type:**
Environmentally sealed, IP65
- Safe Overload:**
150% full scale
- Rated Excitation:**
5 to 15 VDC
- Combined Error:**
0.025% full scale
- Non-repeatability:**
0.02%
- Insulation Resistance:**
5,000 megohm
- Cable Length:**
3 m
- Cable Diameter:**
0.200 in PVC jacket
- Cable Color Code:**
Red +Excitation
Black -Excitation
Green +Signal
White -Signal
- Max Platform Size:**
24 x 24 in
- Warranty:**
One-year limited
- Approvals:**
cFMus
NTEP



25,000 lb to 100,000 lb

5,000 lb to 10,000 lb

Picture is a representation of actual product

Approvals



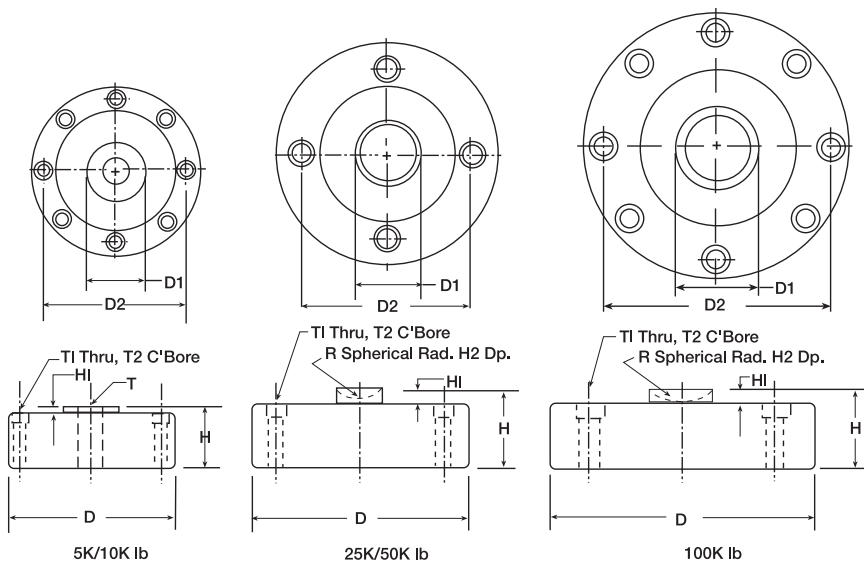
Order Information

Load Rating	Part #	Est. Weight	Price
5,000 lb*	41966	6 lb	\$636.00
10,000 lb*	41967	6 lb	\$636.00
25,000 lb	41968	9 lb	\$822.00
50,000 lb	41969	9 lb	\$822.00
100,000 lb	41970	12 lb	\$975.00
Options			
Ball 1.25 in diameter	65841	1 lb	\$37.00
Load cup**	33616	1 lb	\$37.00

* 5,000lb and 10,000lb models can be used in compression and tension load applications
 ** Load cup, PN 33616, is required for compression applications on 5,000lb and 10,000lb capacity load cells and is sold separately

Dimensions

Rated Capacity	T	R	D	D2	H	H1	H2	T1	T2
5,000 to 10,000	5/8-18 UNF	—	4.12	3.50	1.37	0.12	—	0.28	0.406 × 0.283 DP
25,000 to 50,000	—	0.875	4.75	4.00	2.12	0.50	0.31	0.34	0.508 × 0.38 DP
100,000	—	0.875	5.43	4.60	2.25	0.25	0.31	0.41	0.626 × 0.4 DP



Interchangeable Products

RICE LAKE WEIGHING SYSTEMS
RL90000page 151

Specifications

- Full Scale Output:**
4.0 mV/V
- Output Resistance:**
5,000 to 50,000 lb: 350 (± 3) ohm
100,000 lb: 700 (± 5) ohm
- Input Resistance:**
5,000 to 50,000 lb: 385 (± 5) ohm
100,000 lb: 770 (± 70) ohm
- Material/Finish:**
High-alloy steel, nickel plated
- Temperature:**
Operating:
0 °F to 150 °F (-18 °C to 65 °C)
- Seal Type:**
Environmentally sealed, IP67
- Safe Overload:**
150% full scale
- Rated Excitation:**
15 VDC
- Nonlinearity:**
0.05% full scale
- Hysteresis:**
0.02% full scale
- Insulation Resistance:**
2,000 megohm
- Cable Length:**
50 ft
- Cable Diameter:**
5,000 to 25,000 lb: 0.200 in
50,000 to 100,000 lb: 0.305 in
Polyurethane jacket
- Cable Color Code:**
Red +Excitation
Black -Excitation
Green +Signal
White -Signal
- Warranty:**
One-year limited
- Approvals:**
cFMus

