

iDimension® Plus

Parcel Static Dimensioning System

DIMENSIONING



Standard Features

- iDim Plus package 1 includes: base plate, telescoping pole assembly, touchscreen display, calibration object, US power cord, operating manual and assembly toolkit
- iDim Plus package 2 includes: package 1 components and a 150 lb Bench Pro shipping scale
- iDim Plus package 3 includes: dimensioning head (without pole), 10 ft Ethernet cable, USB display, calibration object, US power cord and operations manual
- No special package placement requirements
- Capable to dimension opaque packaging
- Measurement capabilities beyond Legal for Trade limits
- High resolution color image, 1920 × 1080 resolution color camera

Options

- iDimension SS (Software Suite)
- iDimension Desktop Wedge programs for data integration
- Wired or wireless USB barcode scanner
- Rice Lake BenchPro shipping/postal scales
- Rice Lake 680 and 1280 indicators available for automation applications

Specifications

Power Requirements:

110 to 240 VAC

Communication Ports:

- (2) USB A
- (1) 10/100/1000 Base-T Ethernet
- Wi-Fi 802.11 ac

Display:

10 in (254 mm) touchscreen monitor

Accuracy:

Certified Legal for Trade at 0.2 in (5 mm)

Software Integration:

Simple API network integration through HTTP requests, status checking and XML parsing

Temperature:

Certified: 32 °F to 95 °F (0 °C to 35 °C)

Humidity:

Non-condensing

Warranty:

Two-year limited

Approvals:

- NTEP
- OIML
- CE
- EU MID
- FCC

Approvals



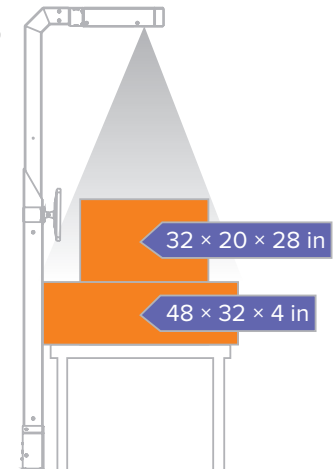
Legal for Trade Minimum and Maximum Measurement Capability

Platform Distance	48 in (1.2m)		1.5 m		2 m XL	
Min/Max *	Min	Max	Min	Max	Min	Max
Length	2.4 in (50 mm)	39 in (1,000 mm)	2.4 inch (50 mm)	48 in (1,200 mm)	4 in (100 mm)	48 in (1,200 mm)
Width	2.4 in (50 mm)	24 in (600 mm)	2.4 inch (50 mm)	32 in (800 mm)	4 in (100 mm)	32 in (800 mm)
Height	2.4 in (50 mm)	24 in (600 mm)	2.4 inch (50 mm)	28 in (700 mm)	4 in (100 mm)	32 in (800 mm)
Division	0.2 in (5 mm)		0.2 in (5 mm)		0.5 in (10 mm)	

*With RGB assist enabled smaller measurements are possible

Largest Box Measurement Capability for Max Length vs. Max Height

	Pole Assembly Height	Minimum LFT Box Size	Maximum LFT Box Size
Largest Box with Max Height	48 in (1.2m)	2.4 × 2.4 × 2.4 in (50 × 50 × 50 mm)	24 × 14 × 24 in (600 × 350 × 600 mm)
Largest Box with Max Length	48 in (1.2m)	2.4 × 2.4 × 2.4 in (50 × 50 × 50 mm)	39 × 24 × 8 in (1,000 × 240 × 200 mm)
Largest Box with Max Height	60 in (1.5m)	2.4 × 2.4 × 2.4 in (50 × 50 × 50 mm)	32 × 20 × 28 in (800 × 500 × 700 mm)
Largest Box with Max Length	60 in (1.5m)	2.4 × 2.4 × 2.4 in (50 × 50 × 50 mm)	48 × 32 × 4 in (1,200 × 800 × 100 mm)



Part Numbers/Price

Part #	Description	Price
226071	Package 1 iDimension Plus for stand alone applications	Consult
226086	Package 2 iDimension Plus with 150 lb BenchPro shipping scale	Consult
226070	Package 3 iDimension Plus without pole	Consult

Options/Accessories

Part #	Description	Price
--------	-------------	-------

Kit Mounting Options

174660	Floor stand for 2 meter sensor height over a work surface or conveyor. Includes pn 206583 hardware and cable, and pn 184262 display RAM mounting kit	Consult
198708	Mounting hardware and cable assembly kit with 25 ft North American power cord	Consult
206583	Mounting hardware and cable assembly kit without power cord	Consult
184262	iDimension USB operator display RAM® mount kit	Consult

Accessories

225778	Portable cart, 24 × 48 in with flush shelves for iDim Plus, writing shelf and storage pocket. 2 rigid, 2 swivel 9 in pneumatic wheels, 1,200 lb capacity	Consult
225776	Portable power supply for mobile cart. 1500 watts with AC inverter and 3 120VAC outlets, two USB-A, two USB-C ports. Digital display with battery life, current draw and hours remaining. Recharge in 5 hours	Consult
180007	Powered Industrial USB 4-Port Hub with USB cable	Consult
222125	Power cord, detachable, German/French, 2.5 m, CEE 7/7, Type E plug	Consult
95589	Power cord, detachable, UK, 2.5 m, BS1363 Type G plug	Consult
162630	Power cord, detachable, AU / NZ, 2.5 m, 1332 Type 1 plug	Consult
178501	RS-232/USB cable, for use with compatible indicators	Consult
180771	Shipping software integration kit includes four-port industrial USB hub, power adapter and USB cables to connect computer and dimensioner	Consult

Barcode Scanner

206225	Wireless Honeywell 19811FR-3USB-5-N long-range barcode scanner	Consult
206228	Power supply for PN 206225	Consult

Optional Integration Solutions

203010	iDimension Desktop Wedge requires Windows 10 or newer (Available for free download at www.ricelake.com)	N/C
225287	USB-A to USB-A cable for connecting dimensioner to computer	Consult
175812	iDimension SS (software suite) web server software requires Windows 10 or newer	Consult

Factory Service and Support

202027	Up to 2 hours iDim Plus remote support, includes initial configuration and scale setup, iDimension Desktop Wedge installation and operator training.	Consult/Unit
224425	One-time license fee at time of purchase.	Consult

Extended Warranty – Two-year standard

202030	iDimension Plus one-year optional extended warranty	Consult
--------	---	---------



Portable cart

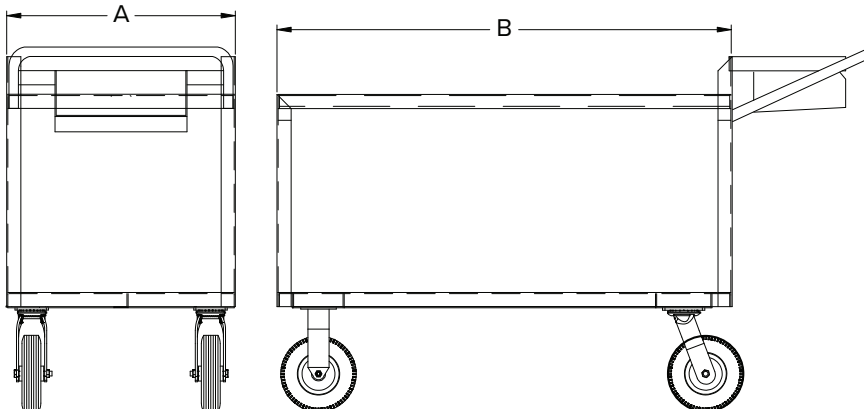


Shown with ELS (Elevated Load Cell Stand) legs found on page 604, conveyor not included

Dimensions

Portable Cart

A	63.20 in (1,605 mm)	B	60.20 in (1,529 mm)
---	---------------------	---	---------------------



iDimension® Plus

Parcel Static Dimensioning System

DIMENSIONING

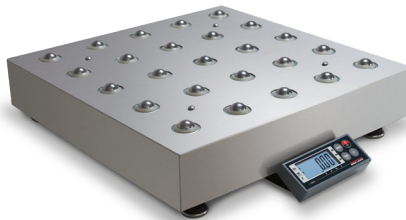
Part Numbers/Price

Rice Lake BenchPro Compatible Scales		
Postal Scale 12 × 14 in (305 × 356 mm) Weigh Platter		
194625 *	Model BP 1214-35P - 70 lb × 0.2 oz (35 kg × 0.01 kg), multi-range and multi-interval postal scale, painted mild steel weigh platter	Consult
Shipping Scale 12 × 14 in (305 × 356 mm) Weigh Platter		
184585	Model BP 1214-75S, 150 × 0.05 lb (75 × 0.02 kg), painted mild steel weigh platter	Consult
Shipping Scale 18 × 18 in (457 × 457 mm) Weigh Platter		
202191	Model BP 1818-75S, 150 × 0.05 lb (75 × 0.02 kg), painted mild steel weigh platter	Consult
201730	Model BP 1818-75S, 150 × 0.05 lb (75 × 0.02 kg), ball top weigh platter	Consult
202190	Model BP 1818-75S, 150 × 0.05 lb (75 × 0.02 kg), roller conveyor weigh platter	Consult
Shipping Scale 20 × 20 in (508 × 508 mm) Weigh Platter		
182396	Model BP 2020-150S, 300 × 0.1 lb (150 × 0.05 kg), painted mild steel weigh platter	Consult
182397	Model BP 2020-150S, 300 × 0.1 lb (150 × 0.05 kg), ball top weigh platter	Consult
182398	Model BP 2020-150S, 300 × 0.1 lb (150 × 0.05 kg), roller conveyor weigh platter	Consult
Shipping Scale 24 × 24 in (610 × 610 mm) Weigh Platter		
182400	Model BP 2424-150S, 300 × 0.1 lb (150 × 0.05 kg), painted mild steel weigh platter	Consult
182401	Model BP 2424-150S, 300 × 0.1 lb (150 × 0.05 kg), ball top weigh platter	Consult
182402	Model BP 2424-150S, 300 × 0.1 lb (150 × 0.05 kg), roller conveyor weigh platter	Consult

*USB HID interface not available when in the postal scale lb/oz mode



Model BP 1214-S with mild steel weigh platter



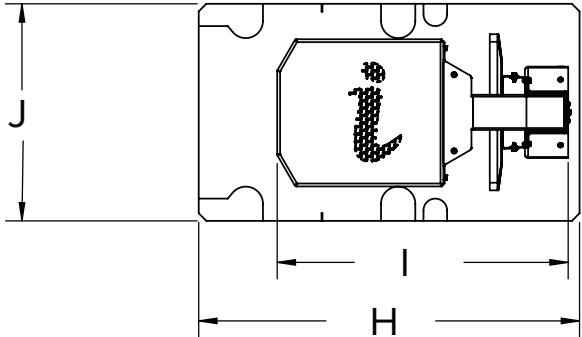
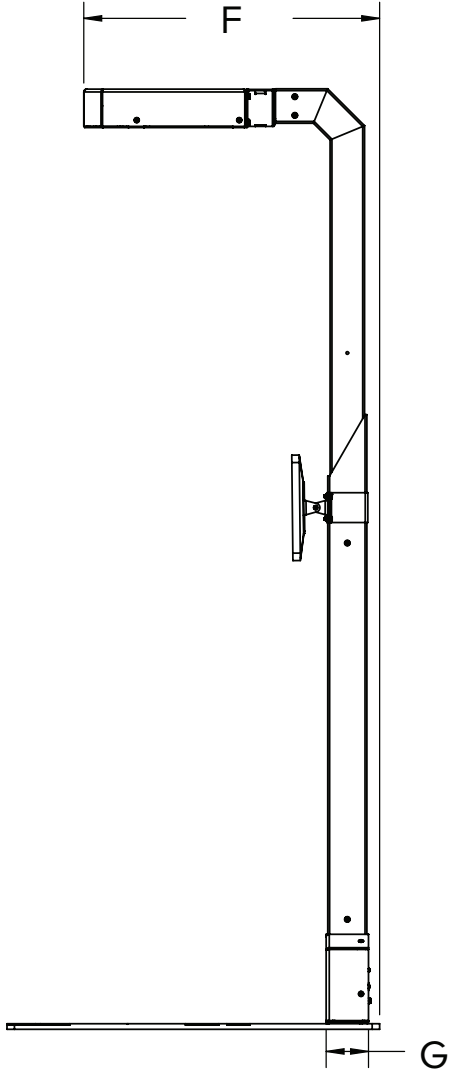
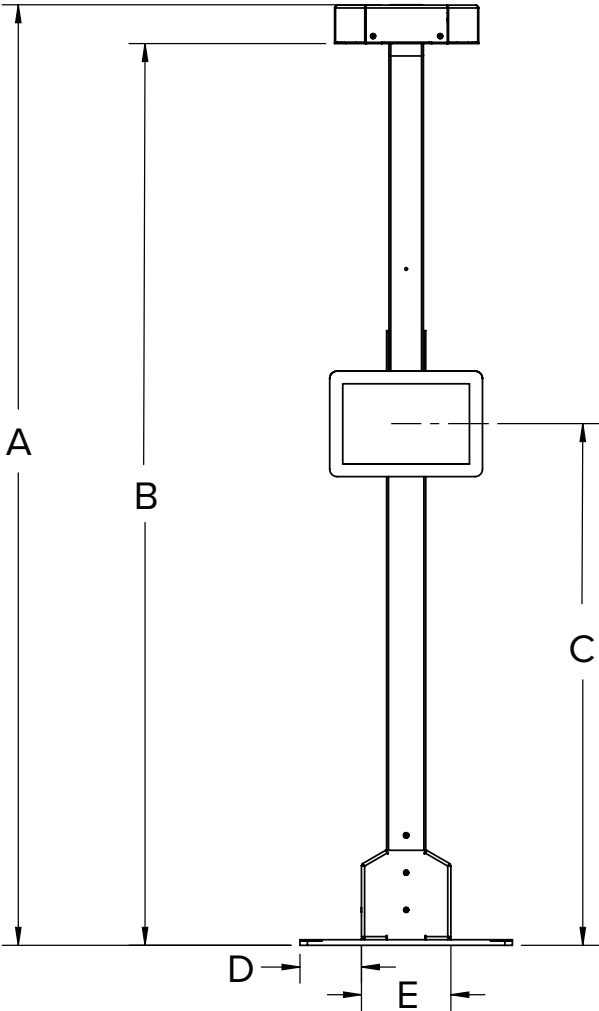
Model BP 1818-S with ball top weigh platter



Model BP 2424-S with roller conveyor weigh platter

Dimensions

iDimension Plus			
A	63.10 in (1,603 mm)	F	19.85 in (504 mm)
B	60.50 in (1,537 mm)	G	2.84 in (72 mm)
C	35.00 in (889 mm)	H	25.00 in (635 mm)
D	4.13 in (105 mm)	I	19.10 in (485 mm)
E	6.00 in (152 mm)	J	14.25 in (362 mm)



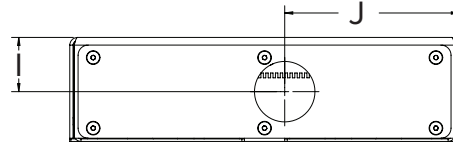
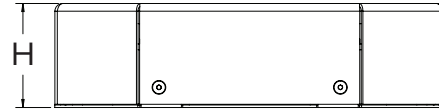
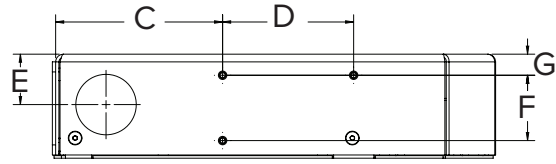
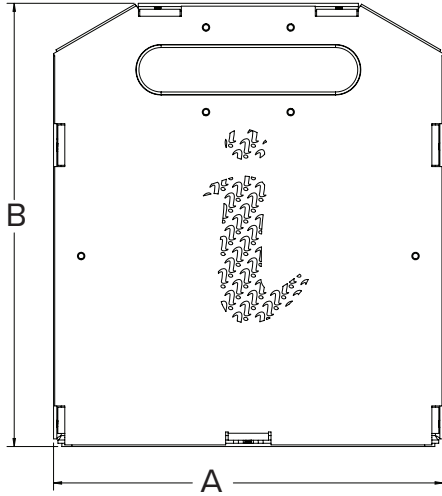
iDimension® Plus

Parcel Static Dimensioning System

DIMENSIONING

Dimensions

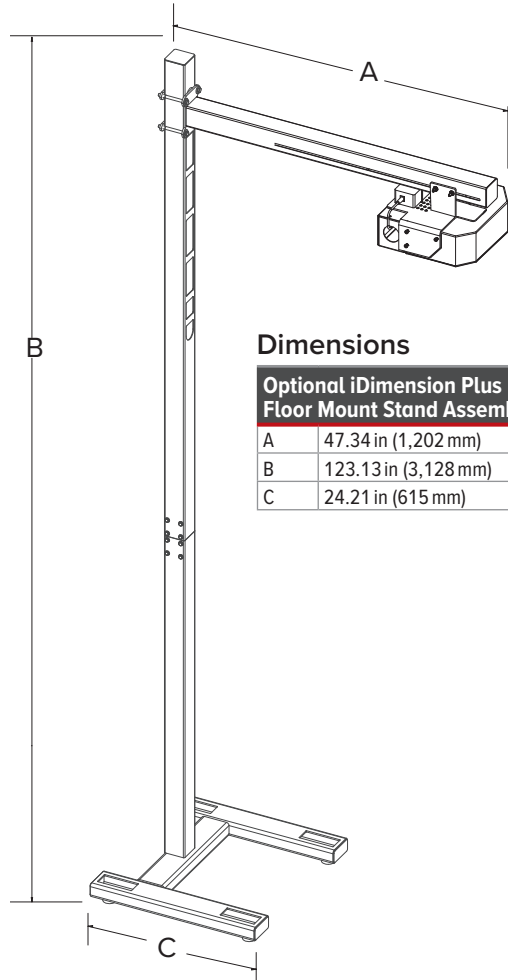
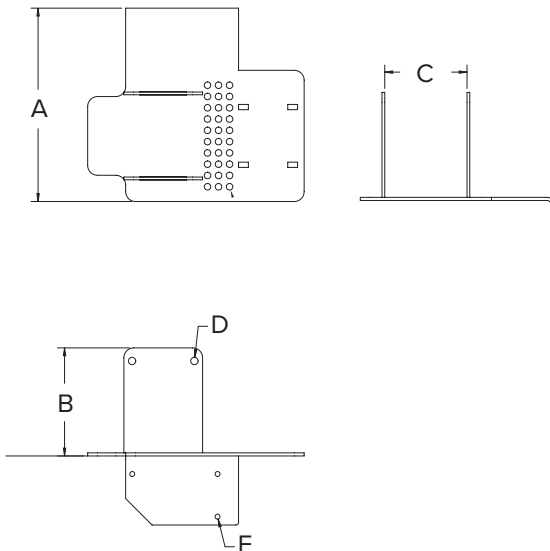
iDimension Plus Scanning Head Assembly			
A	9.66 in (229 mm)	F	1.62 in (15 mm)
B	10.99 in (216 mm)	G	0.52 in (41 mm)
C	4.14 in (183 mm)	H	2.58 in (38 mm)
D	3.25 in (84 mm)	I	1.35 in (114 mm)
E	1.25 in (51 mm)	J	4.33 in (38 mm)



Dimensions

iDimension Plus Mounting Bracket - PN 198708	
A	7.37 in (187 mm)
B	4.12 in (105 mm)
C	3.14 in (80 mm)
D	2x Ø.28
E	3x Ø.19

Use this bracket to mount scanner head to the optional floor stand 174660 or to user provided structure



Dimensions

Optional iDimension Plus Floor Mount Stand Assembly	
A	47.34 in (1,202 mm)
B	123.13 in (3,128 mm)
C	24.21 in (615 mm)