

00.0 lb

RICE LAKE
WEIGHING SYSTEMS

HOME HEALTH SCALES

RL-330HHD RL-330HHL DIAL HOME HEALTH SCALE

The RL-330HHL is a dial home health scale that displays weight in pounds while the RL-330HHD is a dial home health scale that displays weight in pounds and kilograms. The expansive steel base features a large nonslip platform and a nearly eight-inch-diameter dial. Colorful markers can be used for record and goal keeping.



RL-330HHD

FEATURES

- Durable steel base and platform
- Nonslip mat
- Large dial display
- Units of measure: kg (RL-330HHD); lb (RL-330HHL)
- Colorful markers to track weight values

SPECIFICATIONS

Capacity:
RL-330HHD: 330 × 1 lb
RL-330HHL: 330 × 1 lb (150 × 0.5 kg)

Warranty:
One-year limited

RL-330HHL



DIAL HOME HEALTH SCALE

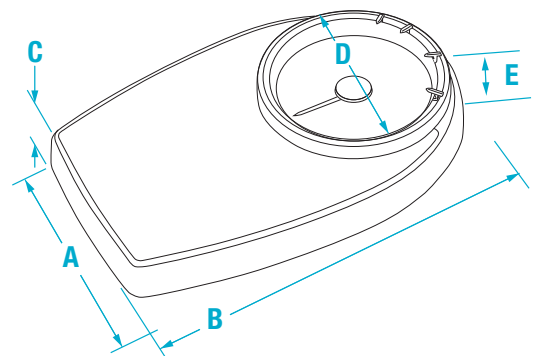
MODEL	CAPACITY		PART #
RL-330HHD	330 × 1 lb (150 × 0.5 kg)	lb and kg	113500
RL-330HHL	330 × 1 lb	lb markings only	110592

SHIPPING WEIGHT

MODEL #	PART #	L (IN)	W (IN)	H (IN)	PACKAGE WGT. (LB)	DIM WGT. (LB)	SHIPPING WGT. (LB)
RL-330HHD	113500	19	12	5	9	9	9
RL-330HHL	110592	19	12	5	9	9	9

DIMENSIONS

	INCHES	CENTIMETERS		INCHES	CENTIMETERS
A	11.20	28.5	C	2.50	6.4
B	16.90	43.0	D	7.90	20.1
E	0.39	8.3	<i>E: (height includes plastic cover)</i>		



DHH-10

DIGITAL HOME HEALTH SCALE

Rice Lake's DHH-10 digital home health scale is designed to efficiently weigh up to 440 pounds (200 kilograms). Users can alternate between pound and kilogram weighing with a simple press of a button. Featuring a bright LCD display and tempered glass weighing surface, the DHH-10 is battery operated and indicates to users when power is low.

FEATURES

- 8 mm tempered safety glass weighing surface
- Low battery indication
- Display lb or kg
- Large LCD display

SPECIFICATIONS

Capacity:
440 × 0.2 lb (200 × 0.1 kg)

Dimensions:
(L × W × H)
11.8 × 15.4 × 1.0 in

Battery Type:
Two AAA alkaline batteries (included)

Display:
Digit size: 1.75 in

Warranty:
One-year limited

Approvals:
CE Approved





DIAL HOME HEALTH SCALE

MODEL	CAPACITY	PART #
DHH-10	440 x 0.2lb (200 x 0.1 kg)	201124

SHIPPING WEIGHT

MODEL #	PART #	L (IN)	W (IN)	H (IN)	PACKAGE WGT. (LB)	DIM WGT. (LB)	SHIPPING WGT. (LB)
DHH-10	201124	17	13	2	6.5	3.0	6.5

DIMENSIONS

	INCHES	CENTIMETERS
A	15.40	39.0
B	11.80	30.0
C	1.00	2.5

