

Load Pin - 1.25 Inch, 30K

Alloy Steel, Environmentally Sealed

Specifications

Seal Type:

Environmentally sealed

Connector Type:

Turck, M12 4-pin male

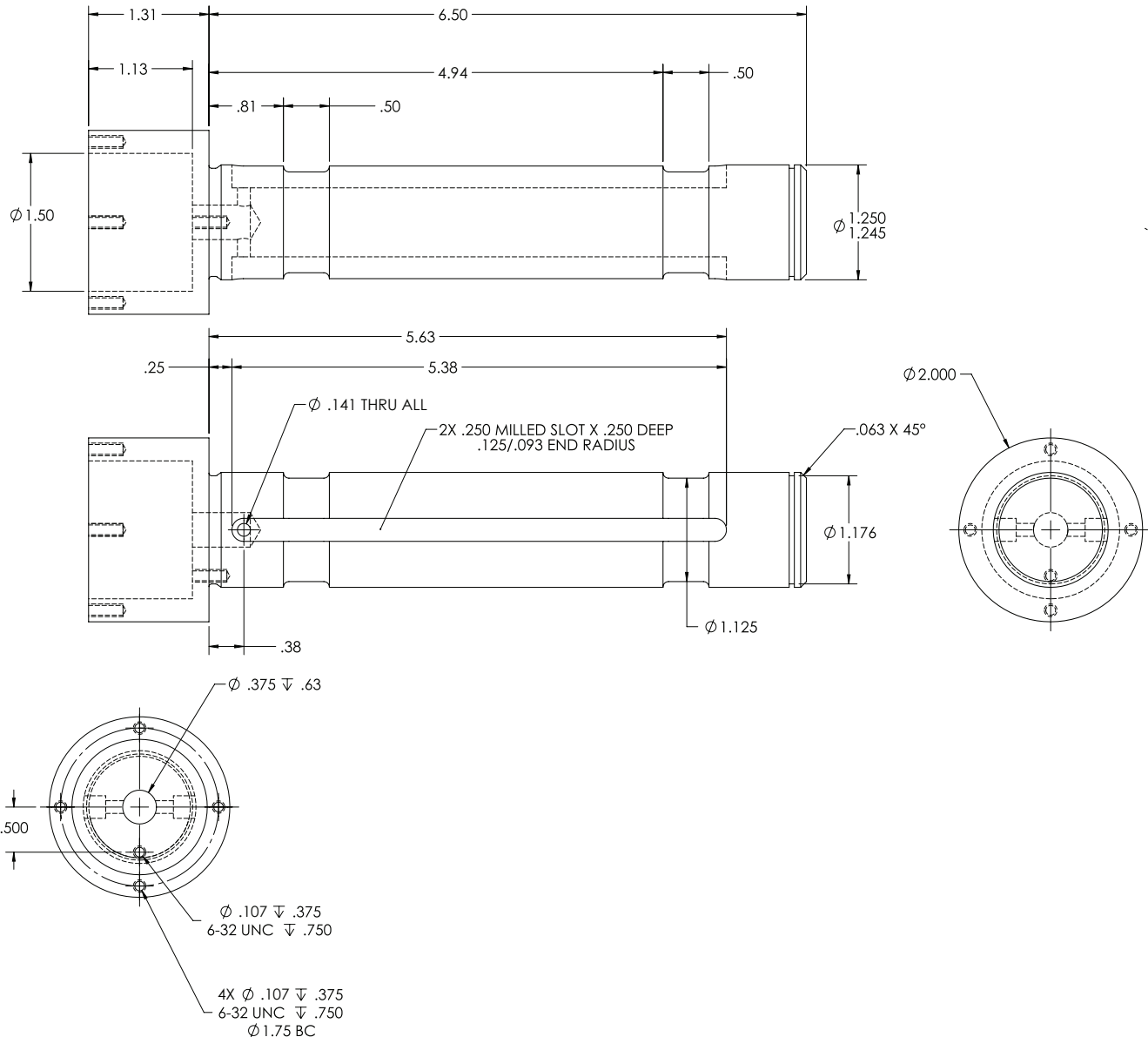
Warranty:

One-year limited warranty

Order Information

Picture is a representation of actual product

Load Rating	Part #	Est. Weight	Price
Static 30,000 lbs	190168	10 lbs	Consult



ONBOARD WEIGHING
LOAD CELLS