



Picture is a representation of actual product.

Approvals

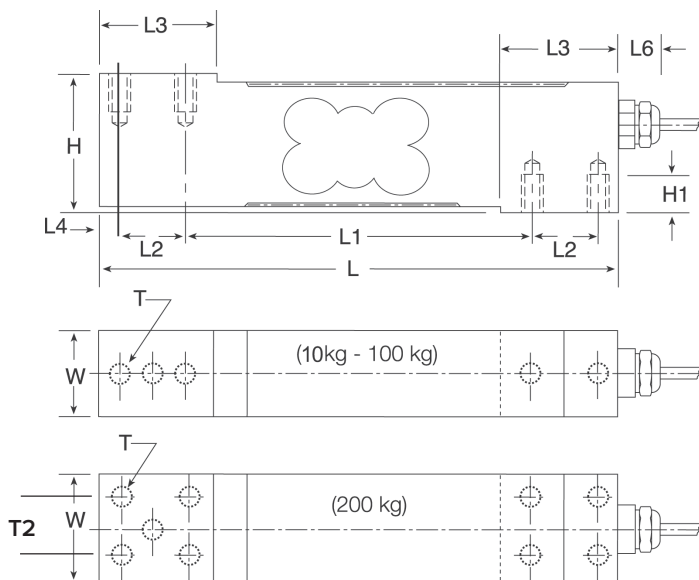


Order Information

| Load Rating | Part # | Est. Weight | Price |
|---------------------------|--------|-------------|---------|
| NTEP Certified | | | |
| 10 kg | 41405 | 3 lb | Consult |
| 15 kg | 41233 | 3 lb | Consult |
| 30 kg | 41234 | 3 lb | Consult |
| 50 kg | 41235 | 3 lb | Consult |
| 75 kg | 41236 | 3 lb | Consult |
| Non-NTEP Certified | | | |
| 100 kg | 41237 | 3 lb | Consult |
| 200 kg | 41406 | 4 lb | Consult |

Dimensions

| Rated Capacity | H | H1 | L | L1 | L2 | L3 | L4 | L6 | W | T | T2 |
|----------------|------|------|-------|-------|------|------|-----|------|------|----------------------|------|
| kg/mm | | | | | | | | | | | |
| 10 to 100 | 40.0 | 10.0 | 150.0 | 100.0 | 19.0 | 32.0 | 6.0 | 20.0 | 25.4 | 1/4-20 UNC x 19.1 DP | N/A |
| 200 | 40.0 | 10.0 | 150.0 | 100.0 | 19.0 | 32.0 | 6.0 | 20.0 | 38.1 | 1/4-20 UNC x 19.1 DP | 25.4 |



Interchangeable Products

FLINTEC®
PC1.....page 215

Specifications

- Full Scale Output:** 2.0 mV/V
- Output Resistance:** 330 (± 25) ohm
- Input Resistance:** 390 (± 20) ohm
- Material/Finish:** Stainless steel
- Temperature:** Operating: 0 °F to 150 °F (-18 °C to 65 °C)
- Seal Type:** Environmentally sealed, IP67
- Safe Overload:** 200% full scale
- Rated Excitation:** 5 VDC (15 V maximum)
- Combined Error:** 0.02% full scale
- Insulation Resistance:** 5,000 megohm
- Cable Length:** 10 ft
- Cable Diameter:** 0.196 in Polyurethane jacket
- Cable Color Code:** Green +Excitation, Black -Excitation, White +Signal, Red -Signal, Yellow Shield
- Max Platform Size:** 18 x 18 in
- Warranty:** Two-year limited
- Approvals:** FM, NTEP 00-125

RICE LAKE
LOAD CELLS