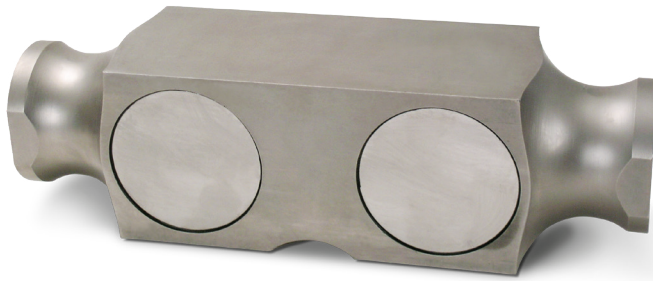


9223

Stainless Steel, Environmentally Sealed, NTEP Certified 1:10,000 Class III Multiple Cell, IP67



Picture is a representation of actual product

Approvals

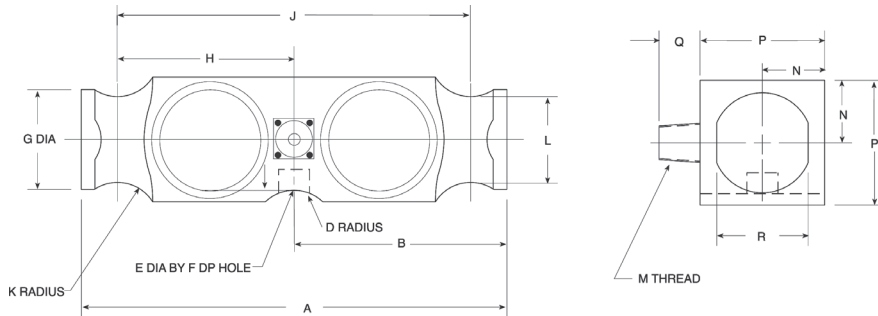


Order Information

Load Rating	Part #	Est. Weight	Price
50,000 lb	84150	22 lb	Consult
65,000 lb	84151	22 lb	Consult
100,000 lb	84152	22 lb	Consult
125,000 lb	84153	22 lb	Consult

Dimensions

Rated Capacity	A	B	D	E	F	G	H	J	K	L	M	N	P	Q	R
lb/in															
50,000 to 125,000	10.25	5.12	1.00	0.75	0.78	2.40	4.25	8.50	1.00	2.06	1/2-14 NPT	1.50	2.94	1.03	2.20



Weigh Module Available

RICE LAKE WEIGHING SYSTEMS

Translink™page 70

Specifications

Full Scale Output:

3.0 mV/V

Output Resistance:

700 (± 7) ohm

Input Resistance:

700 (± 7) ohm

Material/Finish:

Stainless steel

Temperature:

Compensated:

14 °F to 104 °F (-10 °C to 40 °C)

Operating:

0 °F to 150 °F (-18 °C to 65 °C)

Seal Type:

Environmentally sealed, IP67

Safe Overload:

150% full scale

Safe Sideload:

100% full scale

Rated Excitation:

5 to 10 VDC (20 V maximum)

Combined Error:

0.02% full scale

Non-repeatability:

0.01% full scale

Insulation Resistance:

5,000 megohm

Deflection at Capacity:

50,000 lb: 0.018 in

65,000 lb: 0.022 in

100,000 lb: 0.034 in

Cable Length:

40 ft

Cable Diameter:

0.295 in

Polyurethane jacket

Cable Color Code:

Red +Excitation

Black -Excitation

Green +Signal

White -Signal

Warranty:

One-year limited

Approvals:

cFMus

NTEP