

VPG Sensortronics

TABLE OF CONTENTS

S-BEAMS

Page 275

60001, ALLOY STEEL



Suitable for single- or multiple-cell tension load applications. Nickel plated, high-alloy steel construction. Complete with 20 ft of load cell cable and full environmental protection with stainless steel side plates. Capacities range from 25 lb to 20,000 lb. Capacities of 5,000 lb or higher have standardized output for multiple-cell installations.



Page 276

60050, STAINLESS STEEL



Suitable for single- or multiple-cell applications. Complete with 20 ft of load cell cable and full environmental protection with stainless steel side plates. Stainless steel construction for added corrosion protection. Capacities range from 250 lb to 20,000 lb. Capacities of 5,000 lb or higher have standardized output for multiple-cell installations.



Page 277

60063, STAINLESS STEEL



Welded-seal, stainless steel, S-beam load cell designed for compression and tension. Ideal for scale conversions and general-purpose weighing. NTEP Certified capacities range from 500 lb to 5,000 lb; non-NTEP Certified capacity of 10,000 lb.



SINGLE-ENDED

Page 278

65023A-5297, ALLOY STEEL



This model is manufactured from alloy steel and is nickel-plated to provide protection from the elements. Custom featured with mV/V/ohm calibration and 8.5 ft of load cell cable for 1,000 lb and 2,500 lb capacities, and 10 ft for 5,000 lb capacity. This model was originally designed for Fairbanks Scales® under part number 65023-XX-5164.



Page 279

65023A-5107-10, ALLOY STEEL



The 65023A-5107-10 is a replacement load cell for the previously offered 65023-5141 VPG® Sensortronics cell. This model was previously specific to Pennsylvania Scale and features 10 ft of load cell cable. Available in 1,000 lb and 2,500 lb capacities.



Page 280

65023A-5507, ALLOY STEEL



The 65023A-XX-5507 is a low profile version of the 65023A-XX-5107 at just 0.75 in high. Available in 1,000 lb and 2,500 lb capacities.



Page 281

65023A, ALLOY STEEL



Designed for low-profile floor scales. Environmentally protected with stainless steel side plates. Nickel-plated alloy steel with a threaded loading hole. Capacities from 250 lb to 20,000 lb.



SINGLE-ENDED BEAMS

Page 282

65023SS, STAINLESS STEEL



Designed for low-profile floor scales. Environmentally protected with stainless steel side plates. Stainless steel and a threaded hole for loading. Available in 250 lb, 500 lb, 15,000 lb and 20,000 lb capacities.



Page 283

65023S, STAINLESS STEEL



Designed for low-profile floor scales. Environmentally protected with stainless steel side plates. Stainless steel construction and a threaded hole for loading. Capacities range from 1,000 lb to 10,000 lb.



Page 284

65083, STAINLESS STEEL



This welded-seal precision load cell offers exceptional performance and reliability in hostile environment applications typical of food and chemical processing. Designed for single- or multiple-cell installations, the 65083 has a threaded load hole for easy adaptation of mounting hardware or leveling feet typical of floor scales. Capacities range from 1,000 lb to 10,000 lb. Complete with 20 ft of load cell cable.



Page 285

65083S, STAINLESS STEEL



This precision load cell offers exceptional performance and reliability in hostile environment applications typical of food and chemical processing. Designed for single- or multiple-cell installations, the 65083S is provided with a threaded load hole for easy adaptation of mounting hardware or leveling feet typical of floor scales. Capacities range from 1,000 lb to 10,000 lb. Complete with 20 ft of load cell cable.



Page 286

60040, ALLOY STEEL



Designed for low-profile, single- or multiple-cell weighing applications. Complete with 20 ft of load cell cable. Nickel plated, high-alloy steel construction, environmentally protected with a neoprene sleeve. Capacities range from 25 lb to 500 lb.



SINGLE POINTS

Page 287

60048SS, STAINLESS STEEL



Load cell specifically designed for heavy-duty, off-center loads on a 20 × 20 inch platform. Stainless steel construction specially designed for washdown situations. Complete with 10 ft of load cell cable. 1,000 lb capacity load cell may be used with 30 × 30 inch platform. Capacities range from 50 lb to 1,000 lb.



Page 288

60051, STAINLESS STEEL



Designed as a replacement for the NCI® Mark III in hostile environments. Stainless steel, moisture-resistant single-point cell. Complete with 10 ft of load cell cable. 10 lb to 25 lb cells may be used with a base size of 8 × 8 inch; 50 lb to 200 lb cells may be used with a base size of 12 × 12 inch.



Page 289

60060, ALUMINUM



High-capacity, off-center load cell accurately weighs loads on a 30 × 30 inch platform. Aluminum clear anodized construction. Capacities range from 100 lb to 2,000 lb. Complete with 10 ft of load cell cable.



DOUBLE-ENDED BEAMS

Page 290

65016, ALLOY STEEL



Nickel plated and environmentally protected with stainless steel side plates. Designed for center loading compatibility with RL1600 tank weighing assemblies. Capacities range from 1,000 lb to 75,000 lb. Complete with 25 ft of load cell cable.



Page 291

65016W, STAINLESS STEEL



Offered in stainless steel and with welded-seal. Designed for center loading compatibility with RL1600 tank weighing assemblies. Capacities range from 1,000 lb to 75,000 lb. Complete with 25 ft of load cell cable.



Page 292

65016WH, STAINLESS STEEL



Stainless steel, full hermetic version of the popular 65016 series load cells. Capacities range from 1,000 lb to 25,000 lb. Complete with 25 ft of load cell cable.



Page 293

65058A, ALLOY STEEL



Nickel plated and environmentally protected with stainless steel side plates. Designed for center link loading and compatibility with the MVS or similar suspension systems up to 75,000 lb. NTEP Certified capacities range from 20,000 lb to 125,000 lb; non-NTEP Certified capacity of 10,000 lb. Complete with 35 ft of load cell cable.



Page 294

65058S, STAINLESS STEEL

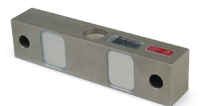


The Vishay Sensortronics 65058S is a double-ended beam specifically designed for harsh environment vehicle weighing applications. This stainless steel, welded-seal load cell is an ideal substitute for traditional alloy steel, nickel plated units where corrosive or washdown conditions exist. This model is compatible with both the MVS and TSA mounts, and is available in capacities ranging from 20,000 lb to 125,000 lb. Each unit is provided with a standard 35 ft of load cell cable.



Page 295

65061A, ALLOY STEEL



This unique double-ended beam has been a standard model in Fairbanks Scales® truck scales for years. This NTEP Certified, zinc plated, alloy steel load cell (stainless, welded-seal in 50,000 lb is also available) is sealed with a potting compound that has been proven through the test of time in numerous applications. Capacities available in 40,000 lb and 50,000 lb. Complete with 60 ft of copper over braid load cell cable.



Page 296

65040A, ALLOY STEEL



Nickel plated and environmentally protected with stainless steel side plates. Designed for center mounting and double link loading. Capacities range from 25,000 lb to 125,000 lb. Complete with 35 ft of load cell cable.



Page 297

65040S, STAINLESS STEEL



This model is an upgraded version of the VPG® Sensortronics® 65040A, and is offered in stainless steel, with welded sealing. The center-supported, double-ended beam design is compatible with Unilink/Translink™ mounts. Ideal for applications where harsh chemicals and washdown conditions exist. Available in capacities ranging from 25,000 lb to 75,000 lb, and is provided with 35 ft of load cell cable.



DOUBLE-ENDED BEAMS

Page 298

65040A-1127W, ALLOY STEEL



This center-loaded, double-link load cell is made of alloy steel. It is a replacement for the RL75223 or VPG® Revere 5223 load cell, and is NTEP Certified. It comes with 40 ft of cable, and is available in 50,000 lb, 65,000 lb and 100,000 lb capacities.



ROCKER COLUMN

Page 299

65114, STAINLESS STEEL



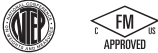
The 65114 was specially designed to provide the superior protection of stainless steel and hermetic sealing for truck scale applications. This model is built to provide a high degree of accuracy while protecting against the severe conditions that truck scale load cells often endure. Available in two different heights, this product can easily be adapted to existing applications.





Picture is a representation of actual product

Approvals

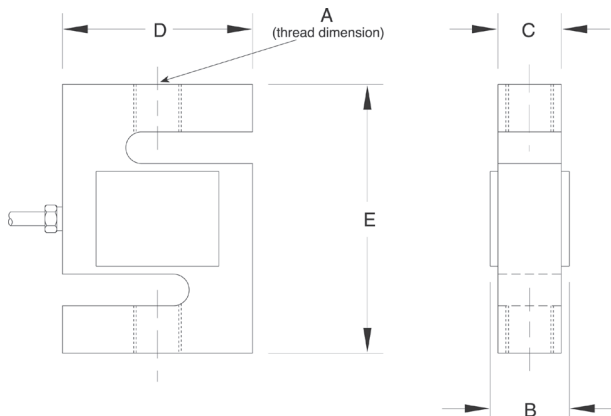


Order Information

Load Rating	Part #	Est. Weight	Price
25 lb	61116	2 lb	\$312.00
50 lb	61117	2 lb	\$312.00
100 lb	61118	2 lb	\$312.00
200 lb	61119	2 lb	\$312.00
250 lb	61120	2 lb	\$312.00
300 lb	61121	2 lb	\$312.00
500 lb	61122	2 lb	\$312.00
750 lb	61123	2 lb	\$312.00
1,000 lb	61124	2 lb	\$312.00
1,500 lb	61125	2 lb	\$312.00
2,000 lb	61126	2 lb	\$312.00
2,500 lb	61127	2 lb	\$355.00
3,000 lb	61128	2 lb	\$355.00
5,000 lb	61129	4 lb	\$503.00
10,000 lb	61130	5 lb	\$503.00
15,000 lb	61131	7 lb	\$609.00
20,000 lb	61132	18 lb	\$949.00

Dimensions

Rated Capacity	A	B	C	D	E
lb/in					
25 to 200	1/4-28 UNF	0.65	0.50	2.00	2.50
250 to 300	3/8-24 UNF	0.75	0.50	2.00	3.00
500 to 2,000	1/2-20 UNF	1.00	0.75	2.00	3.00
2,500 to 3,000	1/2-20 UNF	1.25	1.00	2.00	3.00
5,000	3/4-16 UNF	1.25	1.00	3.00	4.25
10,000	3/4-16 UNF	1.25	1.00	3.50	4.75
15,000	1-14 UNS	1.50	1.25	4.00	5.50
20,000	1 1/4-12 UNF	2.25	2.00	5.00	7.00



Interchangeable Products

- RICE LAKE WEIGHING SYSTEMS
RL20001I page 99
- VPG® CELTRON®
STC.....page 188

Weigh Module Available

- RICE LAKE WEIGHING SYSTEMS
ITCM Isolated Tension Cell Mount..... page 38

Specifications

- Full Scale Output:**
3.0 mV/V
- Output Resistance:**
349 to 355 ohm
- Input Resistance:**
343 to 450 ohm
- Material/Finish:**
High-alloy steel, nickel plated
- Temperature:**
Compensated:
14 °F to 104 °F (-10 °C to 40 °C)
Operating:
0 °F to 150 °F (-18 °C to 65 °C)
- Seal Type:**
Environmentally sealed, IP67
- Safe Overload:**
150% full scale
- Rated Excitation:**
5 to 10 VDC (15 V maximum)
- Combined Error:**
0.03% full scale
- Insulation Resistance:**
5,000 megohm
- Cable Length:**
20 ft
- Cable Diameter:**
0.200 in
Polyurethane jacket
- Cable Color Code:**
Red +Excitation
Black -Excitation
Green +Signal
White -Signal
- Warranty:**
One-year limited
- Approvals:**
cFMus
NTEP

VPG®
SENSORTRONICS®



Picture is a representation of actual product

Approvals

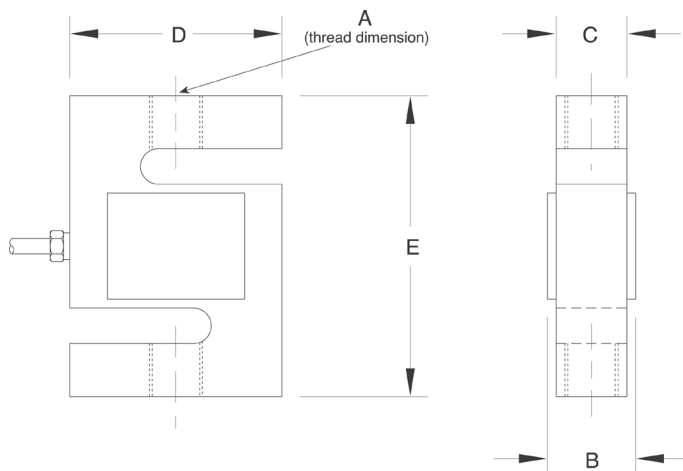


Order Information

Load Rating	Part #	Est. Weight	Price
250 lb	17077	2 lb	\$344.00
500 lb	17078	3 lb	\$344.00
750 lb	17079	3 lb	\$344.00
1,000 lb	17080	3 lb	\$344.00
1,500 lb	17081	3 lb	\$344.00
2,000 lb	17082	3 lb	\$387.00
2,500 lb	17083	3 lb	\$387.00
3,000 lb	17084	3 lb	\$387.00
5,000 lb	17085	4 lb	\$583.00
10,000 lb	17086	5 lb	\$583.00
15,000 lb	17087	8 lb	\$689.00
20,000 lb	17088	16 lb	\$1,033.00

Dimensions

Rated Capacity	A	B	C	D	E
lb/in					
250	3/8-24 UNF	0.75	0.50	2.00	3.00
500 to 1,500	1/2-20 UNF	1.00	0.75	2.00	3.00
2,000 to 3,000	1/2-20 UNF	1.25	1.00	2.00	3.00
5,000	3/4-16 UNF	1.25	1.00	3.00	4.25
10,000	3/4-16 UNF	1.25	1.00	3.50	4.75
15,000	1-14 UNS	1.50	1.25	4.00	5.50
20,000	1 1/4-12 UNF	2.00	1.94	5.00	7.00



Interchangeable Products

VPG® CELTRON®
STC SS..... page 189

Weigh Module Available

RICE LAKE WEIGHING SYSTEMS
ITCM Isolated Tension
Cell Mount..... page 38

Specifications

- Full Scale Output:**
3.0 mV/V
- Output Resistance:**
349 to 355 ohm
- Input Resistance:**
343 to 450 ohm
- Material/Finish:**
Stainless steel
- Temperature:**
Operating:
0 °F to 150 °F (-18 °C to 65 °C)
- Seal Type:**
Environmentally sealed, IP67
- Safe Overload:**
150% full scale
- Rated Excitation:**
5 to 10 VDC (15 V maximum)
- Nonlinearity:**
0.03% full scale
- Hysteresis:**
0.02% full scale
- Insulation Resistance:**
5,000 megohm
- Cable Length:**
20 ft
- Cable Diameter:**
0.200 in
Polyurethane jacket
- Cable Color Code:**
Red +Excitation
Black -Excitation
Green +Signal
White -Signal
- Warranty:**
One-year limited
- Approvals:**
cFMus



Picture is a representation of actual product

Approvals

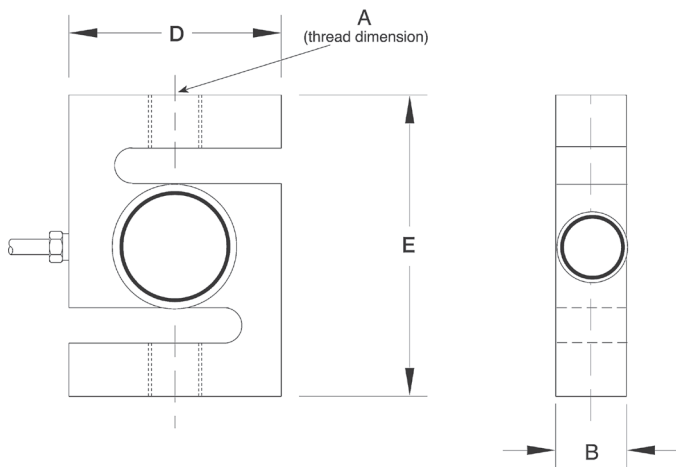


Order Information

Load Rating	Part #	Est. Weight	Price
NTEP Certified			
500 lb	36272	3 lb	\$875.00
750 lb	36273	3 lb	\$875.00
1,000 lb	36274	3 lb	\$875.00
1,500 lb	36275	3 lb	\$875.00
2,000 lb	36276	3 lb	\$875.00
2,500 lb	36277	3 lb	\$875.00
3,000 lb	36278	3 lb	\$875.00
5,000 lb	36279	4 lb	\$1,160.00
Non-NTEP Certified			
10,000 lb	36280	4 lb	\$1,160.00

Dimensions

Rated Capacity	A	B	D	E
lb/in				
500 to 3,000	1/2-20 UNF	1.00	2.00	3.00
5,000 to 10,000	3/4-16 UNF	1.00	3.50	4.75



Interchangeable Products

RICE LAKE WEIGHING SYSTEMS
RL20001HE.....page 100

Weigh Module Available

RICE LAKE WEIGHING SYSTEMS
ITCM Isolated Tension
Cell Mount..... page 38

Specifications

Full Scale Output:

2.0 mV/V

Output Resistance:

349 to 355 ohm

Input Resistance:

349 to 350 ohm

Material/Finish:

Stainless steel

Temperature:

Compensated:
14 °F to 104 °F (-10 °C to 40 °C)

Operating:
0 °F to 150 °F (-18 °C to 65 °C)

Seal Type:

Welded-seal, IP68

Safe Overload:

150% full scale

Rated Excitation:

5 to 10 VDC (15 V maximum)

Combined Error:

0.03% full scale

Insulation Resistance:

5,000 megohm

Cable Length:

20 ft

Cable Diameter:

0.200 in
Polyurethane jacket

Cable Color Code:

Red +Excitation
Black -Excitation
Green +Signal
White -Signal

Warranty:

One-year limited

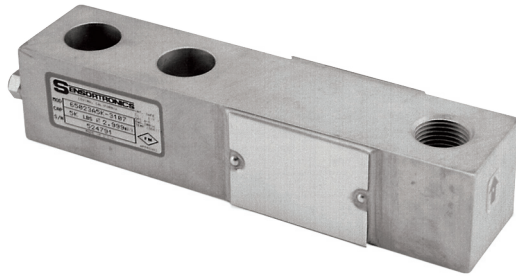
Approvals:

cFMus
NTEP

65023A-5297

Alloy Steel, Environmentally Sealed, NTEP Certified 1:5,000 Class III Multiple Cell, IP67

SENSORTRONICS®
V/pc®



Picture is a representation of actual product

Approvals



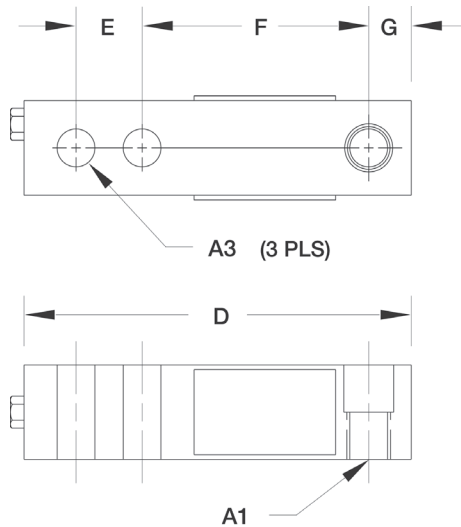
Order Information

Load Rating	Part #	Est. Weight	Price
1,000 lb	68825	3 lb	\$312.00
2,500 lb	68824	3 lb	\$312.00
5,000 lb LE	156957	5 lb	\$398.00

LE=large envelope

Dimensions

Rated Capacity	A1	A2	A3	B	C	D	E	F	G
1,000 to 2,500 lb/in	1/2-20 UNF	0.62	0.53	1.25	1.25	5.12	1.00	3.00	0.50
5,000 LE	3/4-16 UNF	0.75	0.78	1.50	1.50	6.75	1.50	3.75	0.75

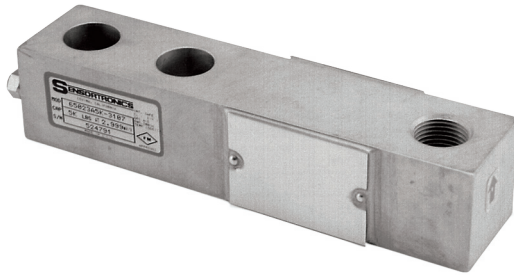


Interchangeable Products

FAIRBANKS®
65023A-XX-5164

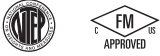
Specifications

- Full Scale Output:**
3.0 mV/V
mV/V/ohm calibration
- Output Resistance:**
349 to 355 ohm
- Input Resistance:**
343 to 357 ohm
- Material/Finish:**
High-alloy steel, nickel plated
- Temperature:**
Compensated:
14 °F to 104 °F (-10 °C to 40 °C)
Operating:
0 °F to 150 °F (-18 °C to 65 °C)
- Seal Type:**
Environmentally sealed, IP67
- Safe Overload:**
150% full scale
- Safe Sideload:**
100% full scale
- Rated Excitation:**
5 to 10 V
- Combined Error:**
0.02% full scale
- Insulation Resistance:**
5,000 megohm
- Deflection at Capacity:**
1,000 lb: 0.013 in
2,500 to 5,000 lb: 0.015 in
- Cable Length:**
1,000 to 2,500 lb: 8.5 ft
5,000 lb: 10 ft
- Cable Diameter:**
0.200 in
Polyurethane jacket
- Cable Color Code:**
Red +Excitation
Black -Excitation
Green +Signal
White -Signal
- Warranty:**
One-year limited
- Approvals:**
cFMus
NTEP



Picture is a representation of actual product

Approvals

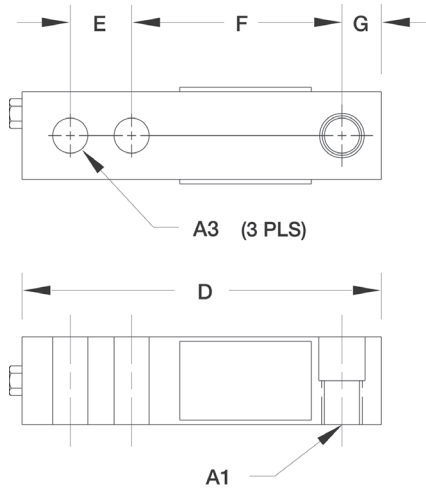


Order Information

Load Rating	Part #	Est. Weight	Price
1,000 lb	68827	3 lb	\$312.00
2,500 lb	68826	3 lb	\$312.00

Dimensions

Rated Capacity	A1	A2	A3	B	C	D	E	F	G
1,000 to 2,500	1/2-20 UNF	0.62	0.53	1.25	1.25	5.12	1.00	3.00	0.50



Interchangeable Products

PENNSYLVANIA®
65023A-XX-5141

Specifications

- Full Scale Output:**
3.0 mV/V
mV/V/ohm calibrated
- Output Resistance:**
349 to 355 ohm
- Input Resistance:**
343 to 357 ohm
- Material/Finish:**
High-alloy steel, nickel plated
- Temperature:**
Compensated:
14 °F to 104 °F (-10 °C to 40 °C)
Operating:
0 °F to 150 °F (-18 °C to 65 °C)
- Seal Type:**
Environmentally sealed, IP67
- Safe Overload:**
150% full scale
- Safe Sideload:**
100% full scale
- Rated Excitation:**
5 to 10 V
- Combined Error:**
0.02% full scale
- Insulation Resistance:**
5,000 megohm
- Deflection at Capacity:**
1,000 lb: 0.013 in
2,500 lb: 0.015 in
- Cable Length:**
10 ft
- Cable Diameter:**
0.200 in
Polyurethane jacket
- Cable Color Code:**
Red +Excitation
Black -Excitation
Green +Signal
White -Signal
- Warranty:**
One-year limited
- Approvals:**
cFMus
NTEP

VPG®
SENSORTRONICS®

65023A-5507

Alloy Steel, Environmentally Sealed, NTEP Certified 1:5,000 Class III Multiple Cell, IP67



Picture is a representation of actual product

Approvals

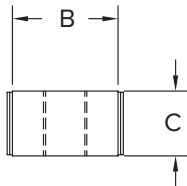
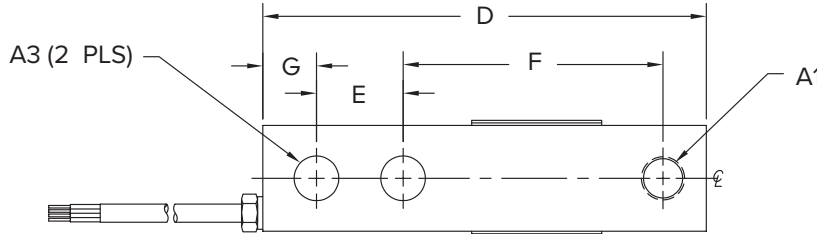


Order Information

Load Rating	Part #	Est. Weight	Price
1,000 lb	107785	3 lb	\$312.00
2,500 lb	107786	3 lb	\$312.00

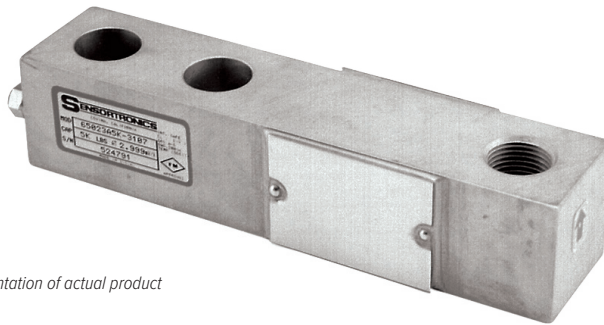
Dimensions

Rated Capacity	A1	A3	B	C	D	E	F	G
lb/in								
1,000 to 2,500	1/2-20 UNF-2B	0.516	1.22	0.75	5.12	1.00	3.00	0.62



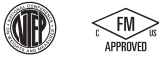
Specifications

- Full Scale Output:**
3.0 mV/V
- Output Resistance:**
349 to 355 ohm
- Input Resistance:**
343 to 357 ohm
- Material/Finish:**
High-alloy steel, nickel plated
- Temperature:**
Compensated:
14 °F to 104 °F (-10 °C to 40 °C)
Operating:
0 °F to 150 °F (-18 °C to 65 °C)
- Seal Type:**
Environmentally sealed, IP67
- Safe Overload:**
150% full scale
- Safe Sideload:**
100% full scale
- Rated Excitation:**
5 to 10 V
- Combined Error:**
0.02% full scale
- Insulation Resistance:**
5,000 megohm
- Deflection at Capacity:**
1,000 lb: 0.013 in
2,500 lb: 0.015 in
- Cable Length:**
10 ft
- Cable Diameter:**
0.200 in
Polyurethane jacket
- Cable Color Code:**
Red +Excitation
Black -Excitation
Green +Signal
White -Signal
- Warranty:**
One-year limited
- Approvals:**
cFMus
NTEP



Picture is a representation of actual product

Approvals



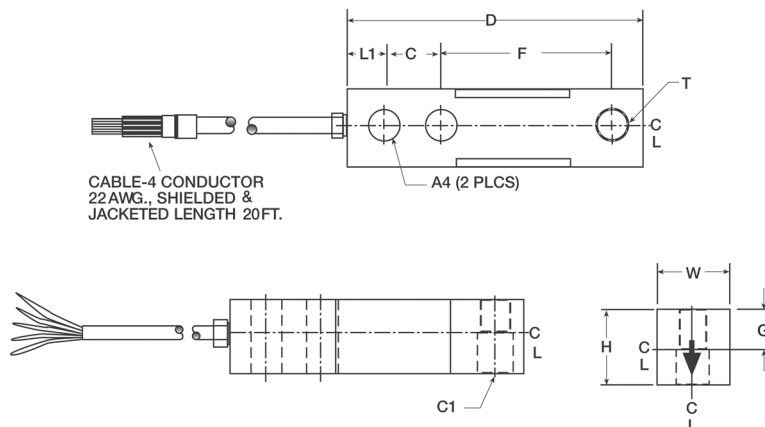
Order Information

Load Rating	Part #	Est. Weight	Price
NTEP Certified			
1,000 lb	21507	3 lb	\$312.00
1,500 lb	69832	3 lb	\$312.00
2,000 lb	21508	3 lb	\$312.00
2,500 lb	21509	3 lb	\$312.00
3,000 lb	21510	3 lb	\$312.00
4,000 lb	21511	3 lb	\$312.00
5,000 lb SE	102884	3 lb	\$312.00
5,000 lb LE	21512	5 lb	\$398.00
10,000 lb	21513	5 lb	\$398.00
Non-NTEP Certified			
250 lb	176426	3 lb	\$312.00
500 lb	17125	3 lb	\$312.00
15,000 lb	17155	9 lb	\$689.00
20,000 lb	17159	10 lb	\$689.00
NTEP Certified 50 ft Cable			
5,000 lb SE	196716	3 lb	\$360.00

SE=small envelope; LE=large envelope

Dimensions

Rated Capacity	T	L1	C1	W	H	D	C	F	G
250 to 500	1/2-20 UNF	0.62	0.53	1.25	1.00	5.12	1.00	3.00	0.50
1,000 to 5,000 SE	1/2-20 UNF	0.62	0.53	1.25	1.25	5.12	1.00	3.00	0.62
5,000 LE to 10,000	3/4-16 UNF	0.75	0.78	1.50	1.50	6.75	1.50	3.75	0.75
15,000 to 20,000	1-14 UNS	1.00	1.03	2.00	2.00	8.88	2.00	4.88	1.00



CABLE-4 CONDUCTOR
22AWG., SHIELDED &
JACKETED LENGTH 20FT.

Interchangeable Products

VPG® CELTRON®
SQB.....page 191

Weigh Module Available

RICE LAKE WEIGHING SYSTEMS
RL50210TA..... page 41
RICE LAKE WEIGHING SYSTEMS
RL1800 Series..... page 52

Specifications

- Full Scale Output:**
3.0 mV/V
- Output Resistance:**
349 to 355 ohm
- Input Resistance:**
343 to 357 ohm
- Material/Finish:**
High-alloy steel, nickel plated
- Temperature:**
Compensated:
14 °F to 104 °F (-10 °C to 40 °C)
Operating:
0 °F to 150 °F (-18 °C to 65 °C)
- Seal Type:**
Environmentally sealed, IP67
- Safe Overload:**
150% full scale
- Safe Sideload:**
100% full scale
- Rated Excitation:**
5 to 10 V
- Nonlinearity:**
0.03% full scale
- Hysteresis:**
0.02% full scale
- Insulation Resistance:**
5,000 megohm
- Deflection at Capacity:**
250 to 1,500 lb: 0.013 in
1,000 to 5,000 SE lb: 0.017 to 0.025 in
5,000 LE to 10,000 lb: 0.025 to 0.035 in
15,000 to 20,000 lb: 0.048 to 0.063 in

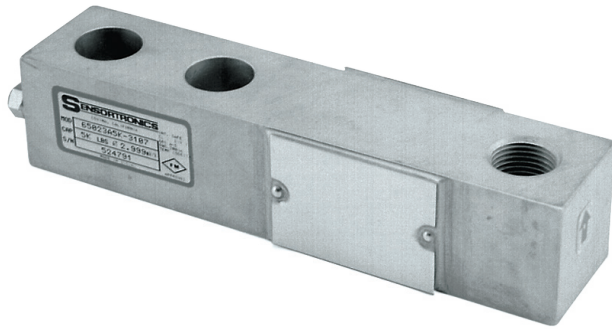
- Cable Length:**
20 ft
- Cable Diameter:**
0.200 in
Polyurethane jacket
- Cable Color Code:**
Red +Excitation
Black -Excitation
Green +Signal
White -Signal
- Warranty:**
One-year limited

Approvals:
cFMus
NTEP



65023SS

Stainless Steel, Environmentally Sealed, IP67



Picture is a representation of actual product

Approvals

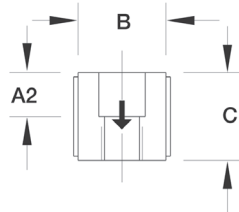
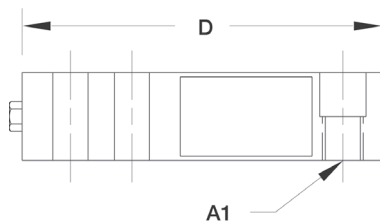
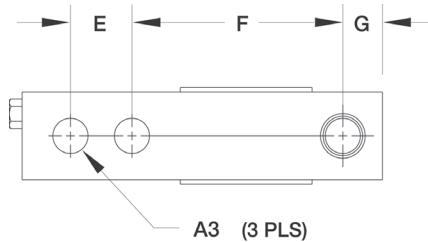


Order Information

Load Rating	Part #	Est. Weight	Price
Threaded Hole			
250 lb	46499	3 lb	\$387.00
500 lb	17188	3 lb	\$387.00
15,000 lb	17156	9 lb	\$805.00
20,000 lb	17160	9 lb	\$805.00

Dimensions

Rated Capacity	A1	A2	A3	B	C	D	E	F	G
lb/in									
250 to 500	1/2-20 UNF	0.50	0.53	1.25	1.00	5.12	1.00	3.00	0.50
15,000 to 20,000	1-14 UNS	1.00	1.03	2.00	2.00	8.88	2.00	4.88	1.00

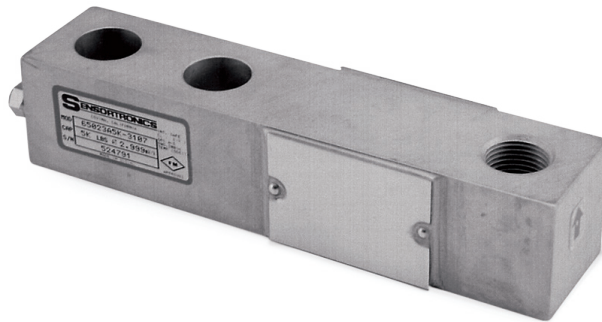


Weigh Module Available

- RICE LAKE WEIGHING SYSTEMS
RL50210TA..... page 41
- RICE LAKE WEIGHING SYSTEMS
RL1800 Series..... page 52

Specifications

- Full Scale Output:**
3.0 mV/V
- Output Resistance:**
349 to 355 ohm
- Input Resistance:**
343 to 357 ohm
- Material/Finish:**
Stainless steel
- Temperature:**
Operating:
0 °F to 150 °F (-18 °C to 65 °C)
- Seal Type:**
Environmentally sealed, IP67
- Safe Overload:**
150% full scale
- Safe Sideload:**
100% full scale
- Rated Excitation:**
5 to 10 VDC (15 V maximum)
- Nonlinearity:**
0.03% full scale
- Hysteresis:**
0.02% full scale
- Insulation Resistance:**
5,000 megohm
- Deflection at Capacity:**
250 to 500 lb: 0.013 in
15,000 to 20,000 lb: 0.048 to 0.063 in
- Cable Length:**
20 ft
- Cable Diameter:**
0.200 in
Polyurethane jacket
- Cable Color Code:**
Red +Excitation
Black -Excitation
Green +Signal
White -Signal
- Warranty:**
One-year limited
- Approvals:**
cFMus



Picture is a representation of actual product

Approvals



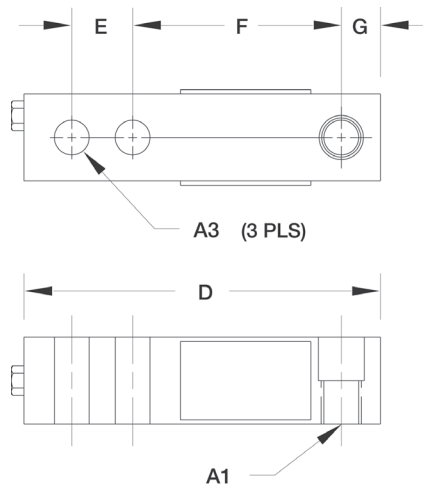
Order Information

Load Rating	Part #	Est. Weight	Price
Threaded Hole			
1,000 lb	28925	3 lb	\$365.00
2,000 lb	28926	3 lb	\$365.00
2,500 lb	28927	3 lb	\$365.00
2,500 lb*	170030	3 lb	\$365.00
4,000 lb	28929	3 lb	\$365.00
5,000 lb	28930	5 lb	\$455.00
10,000 lb	28931	5 lb	\$455.00

*65023S 2,500lb- 5513, low-profile 0.75 inches tall

Dimensions

Rated Capacity	A1	A2	A3	B	C	D	E	F	G
1,000 to 4,000	1/2-20 UNF	0.62	0.53	1.00	1.25	5.12	1.00	3.00	0.50
5,000 to 10,000	3/4-16 UNF	0.75	0.78	1.50	1.50	6.75	1.50	3.75	0.75



Interchangeable Products

VPG® SENSORTRONICS®
65023SS page 282

Weigh Module Available

RICE LAKE WEIGHING SYSTEMS
RL50210TA..... page 41
 RICE LAKE WEIGHING SYSTEMS
RL1800 Series..... page 52

Specifications

Full Scale Output:

3.0 mV/V

Output Resistance:

349 to 355 ohm

Input Resistance:

343 to 357 ohm

Material/Finish:

Stainless steel

Temperature:

Compensated:

14 °F to 104 °F (-10 °C to 40 °C)

Operating:

0 °F to 150 °F (-18 °C to 65 °C)

Seal Type:

Environmentally sealed, IP67

Safe Overload:

150% full scale

Rated Excitation:

5 to 10 VDC (15 V maximum)

Combined Error:

0.02% full scale

Insulation Resistance:

5,000 megohm

Deflection at Capacity:

500 to 1,000 lb: 0.013 in

1,500 to 4,000 lb: 0.017 to 0.025 in

5,000 to 10,000 lb: 0.025 to 0.035 in

15,000 to 20,000 lb: 0.048 to 0.063 in

Cable Length:

20 ft

Cable Color Code:

Red +Excitation

Black -Excitation

Green +Signal

White -Signal

Warranty:

One-year limited

Approvals:

cFMus

NTEP



Picture is a representation of actual product

Approvals

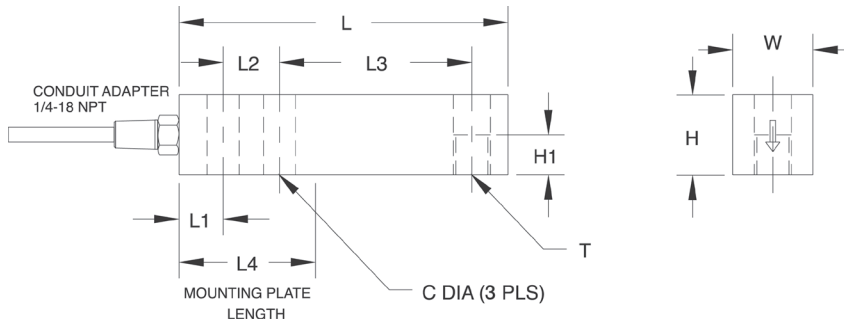


Order Information

Load Rating	Part #	Est. Weight	Price
1,000 lb	17262	3 lb	\$439.00
2,500 lb	17263	3 lb	\$439.00
4,000 lb	17264	3 lb	\$439.00
5,000 lb	17265	5 lb	\$455.00
10,000 lb	17266	5 lb	\$455.00

Dimensions

Rated Capacity	C	H	H1	L	L1	L2	L3	L4	T	W
lb/in										
1,000 to 4,000	0.53	1.22	0.61	5.12	0.62	1.00	3.00	2.25	1/2-20 UNF	1.22
5,000 to 10,000	0.78	1.50	0.75	6.75	0.75	1.50	3.75	3.00	3/4-16 UNF	1.50



Interchangeable Products

VPG® CELTRON®
SQB-HSS page 192

Weigh Module Available

RICE LAKE WEIGHING SYSTEMS
RL50210TA page 41
RICE LAKE WEIGHING SYSTEMS
RL1800 Series page 52

Specifications

Full Scale Output:
3.0 mV/V

Output Resistance:
349 to 355 ohm

Input Resistance:
343 to 357 ohm

Material/Finish:
Stainless steel

Temperature:
Operating:
0 °F to 150 °F (-18 °C to 65 °C)

Seal Type:
Welded-seal, IP67
(Conduit is recommended for maximum protection against the ingress of water and moisture through the cable entry.)

Safe Overload:
150% full scale

Safe Sideload:
100% full scale

Rated Excitation:
5 to 10 VDC (15 V maximum)

Combined Error:
0.03% full scale

Non-repeatability:
0.01% full scale

Insulation Resistance:
5,000 megohm

Deflection at Capacity:
1,000 to 4,000 lb: 0.008 to 0.026 in
5,000 to 10,000 lb: 0.030 to 0.055 in

Cable Length:
20 ft

Cable Diameter:
0.220 in
PTFE jacket

Conduit Adapter Size:
1/4-18 NPT

Cable Color Code:
Red +Excitation
Black -Excitation
Green +Signal
White -Signal

Warranty:
One-year limited

Approvals:
cFMus

Stainless Steel, Welded Seal, Hermetically Sealed, NTEP Certified 1:5,000 Class III Multiple Cell, IP67/IP69K

VPG®
SENSORTRONICS®



Picture is a representation of actual product

IP69K model

Approvals

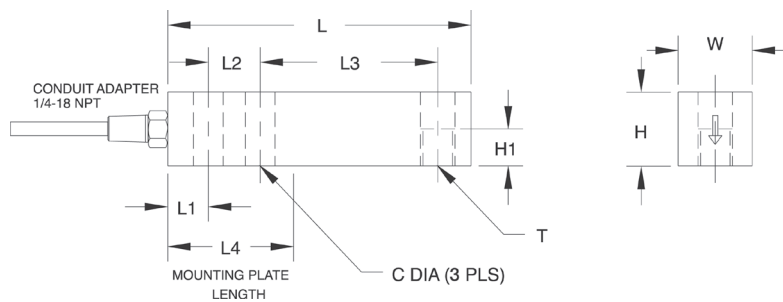


Order Information

Load Rating	Part #	Est. Weight	Price
Welded Seal IP67			
1,000 lb	33552	3 lb	\$450.00
2,500 lb	33553	3 lb	\$450.00
4,000 lb	33554	3 lb	\$450.00
5,000 lb	33555	5 lb	\$503.00
10,000 lb	33556	5 lb	\$503.00
Hermetically Sealed IP69K			
1,000 lb	33734	3 lb	\$535.00
2,500 lb	33735	3 lb	\$535.00
4,000 lb	33736	16 lb	\$535.00

Dimensions

Rated Capacity	C	H	H1	L	L1	L2	L3	L4	T	W
lb/in										
1,000 to 4,000	0.53	1.22	0.61	5.12	0.62	1.00	3.00	2.25	1/2-20 UNF	1.22
5,000 to 10,000	0.78	1.50	0.75	6.75	0.75	1.50	3.75	3.00	3/4-16 UNF	1.50



Weigh Module Available

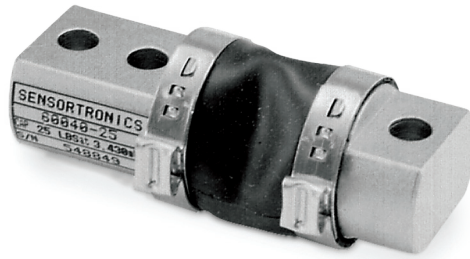
- RICE LAKE WEIGHING SYSTEMS
RL50210TA..... page 41
- RICE LAKE WEIGHING SYSTEMS
RL1800 Series..... page 52

Specifications

- Full Scale Output:**
2.0 mV/V
- Output Resistance:**
349 to 355 ohm
- Input Resistance:**
343 to 357 ohm
- Material/Finish:**
Stainless steel
- Temperature:**
Compensated:
14 °F to 104 °F (-10 °C to 40 °C)
Operating:
0 °F to 150 °F (-18 °C to 65 °C)
- Seal Type:**
Welded-seal, IP67
Hermetically sealed, IP69K
- Safe Overload:**
150% full scale
- Safe Sideload:**
100% full scale
- Rated Excitation:**
5 to 10 VDC (15 V maximum)
- Combined Error:**
0.02% full scale
- Non-repeatability:**
0.01% full scale
- Insulation Resistance:**
5,000 megohm
- Deflection at Capacity:**
1,000 to 4,000 lb: 0.012 in
5,000 to 10,000 lb: 0.030 in
- Cable Length:**
20 ft
- Cable Diameter:**
0.220 in
PTFE jacket
- Conduit Adapter Size:**
IP67: 1/4-18 NPT
IP69K: 1/2-14 NPT
- Cable Color Code:**
Red +Excitation
Black -Excitation
Green +Signal
White -Signal
- Warranty:**
One-year limited
- Approvals:**
cFMus
NTEP

60040

Alloy Steel, Environmentally Sealed, IP65



Picture is a representation of actual product

Approvals

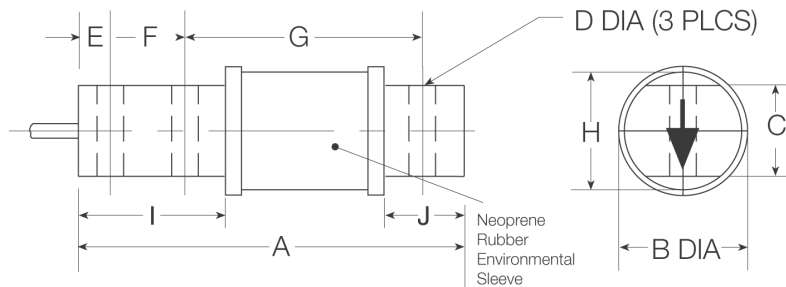


Order Information

Load Rating	Part #	Est. Weight	Price
25 lb	17369	2 lb	\$260.00
50 lb	17370	2 lb	\$260.00
75 lb	17371	2 lb	\$260.00
100 lb	17372	2 lb	\$260.00
150 lb	17373	2 lb	\$260.00
250 lb	17374	2 lb	\$260.00
500 lb	17375	2 lb	\$260.00

Dimensions

Rated Capacity	A	B	C	D	E	F	G	H	I	J
lb/in										
25 to 500	2.81	1.30	0.62	0.26	0.25	0.50	1.81	1.00	1.00	0.50



Interchangeable Products

RICE LAKE WEIGHING SYSTEMS
RL50210..... page 122
 VPG® REVERSE
5503
 ARTECH®
50210

Specifications

Full Scale Output:
3.0 mV/V

Output Resistance:
349 to 355 ohm

Input Resistance:
380 to 450 ohm

Material/Finish:
High-alloy steel, nickel plated

Temperature:
Operating:
0 °F to 150 °F (-18 °C to 65 °C)

Seal Type:
Environmentally sealed with a neoprene sleeve, IP65

Safe Overload:
150% full scale

Rated Excitation:
5 to 10 VDC (15 V maximum)

Nonlinearity:
0.03% full scale

Hysteresis:
0.02% full scale

Insulation Resistance:
5,000 megohm

Deflection at Capacity:
25 to 50 lb: 0.008 in
75 to 100 lb: 0.010 in
150 lb: 0.012 in
250 lb: 0.016 in
500 lb: 0.025 in

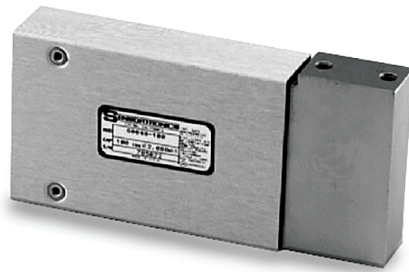
Cable Length:
20 ft

Cable Diameter:
0.200 in
Polyurethane jacket

Cable Color Code:
Red +Excitation
Black -Excitation
Green +Signal
White -Signal

Warranty:
One-year limited

Approvals:
cFMus



Picture is a representation of actual product

Approvals



Order Information

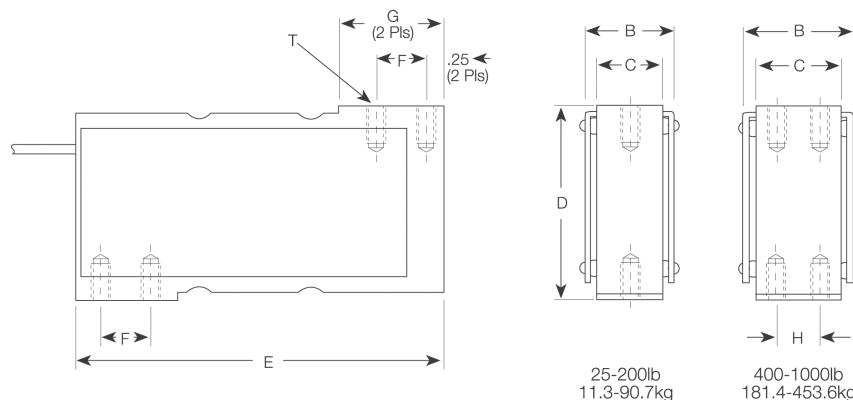
Load Rating		Part #	Est. Weight	Price
10 ft Cable				
50 lb		17421	4 lb	\$630.00
100 lb		17423	4 lb	\$630.00
200 lb		17425	4 lb	\$630.00
400 lb		17427	5 lb	\$673.00
500 lb		17429	5 lb	\$689.00
1,000 lb		17431	6 lb	\$736.00
25 ft Cable				
1,000 lb		17514	7 lb	\$779.00
Adapters				
Adapter kit	400 lb to 500 lb	25562	—	\$45.00
Single adapter	25 lb to 200 lb	17683	—	\$37.00

PN25562 is needed to convert 400 to 500lb capacity cells

PN17683 is needed to use the VPG Sensortronics 60048 load cell in NCI model 3255 and 3256 bases, 50 to 200lb capacities

Dimensions

Rated Capacity	T	B	C	D	E	F	G	H
lb/in								
50 to 200	1/4-28 UNF × 0.75 DP	1.25	1.00	3.00	6.00	1.00	1.50	—
400 to 500	1/4-28 UNF × 0.75 DP	1.25	1.00	3.00	6.00	1.00	1.50	0.50
1,000	5/16-24 UNF × 0.75 DP	1.75	1.50	3.00	6.00	1.00	1.50	1.00



Interchangeable Products

NCI®/WEIGH-TRONIX®
Mark V

Specifications

- Full Scale Output:**
2.0 mV/V nominal
- Output Resistance:**
349 to 355 ohm
- Input Resistance:**
350 to 450 ohm
- Material/Finish:**
Stainless steel
- Temperature:**
Operating:
0 °F to 150 °F (-18 °C to 65 °C)

Seal Type:
Environmentally sealed, IP67

Safe Overload:
150% full scale

Rated Excitation:
5 to 10 VDC (15 V maximum)

Nonlinearity:
0.03% full scale

Hysteresis:
0.02% full scale

Insulation Resistance:
5,000 megohm

Deflection at Capacity:
50 to 100 lb: 0.013 in
200 lb: 0.015 in
400 to 500 lb: 0.023 in
1,000 lb: 0.016 in

Cable Length:
10 ft
25 ft

Cable Diameter:
0.200 in
Polyurethane jacket

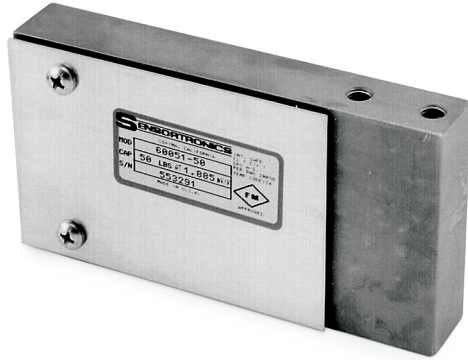
Cable Color Code:
Red +Excitation
Black -Excitation
Green +Signal
White -Signal

Warranty:
One-year limited

Approvals:
cFMus

60051

Stainless Steel, Environmentally Sealed, IP67



Picture is a representation of actual product

Approvals

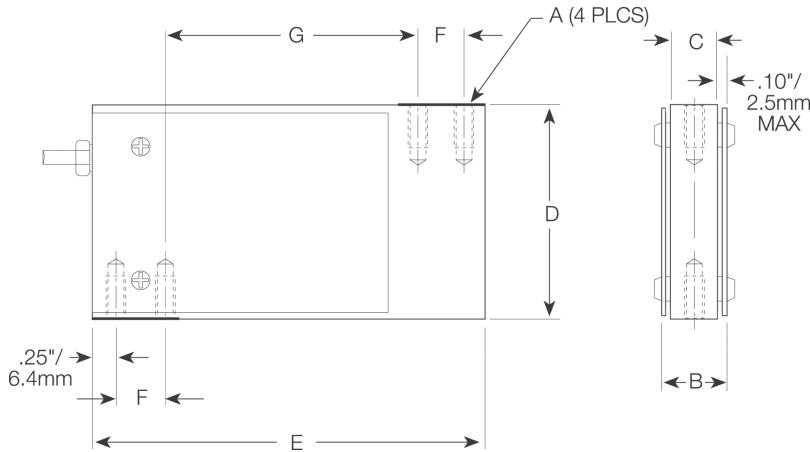


Order Information

Load Rating	Part #	Est. Weight	Price
10 lb	17432	2 lb	\$450.00
15 lb	17433	2 lb	\$450.00
25 lb	17434	2 lb	\$450.00
50 lb	17435	3 lb	\$450.00
100 lb	17436	3 lb	\$450.00
200 lb	17437	3 lb	\$450.00

Dimensions

Rated Capacity	A	B	C	D	E	F	G
lb/in							
10 to 25	1/4-28 UNF	0.70	0.50	2.50	4.63	0.75	2.62
50 to 200	1/4-28 UNF	0.95	0.75	2.50	4.63	0.75	2.62



Interchangeable Products

NCI®/WEIGHTRONICS®
Mark III
 NCI/WEIGHTRONICS
Mark IX

Specifications

- Full Scale Output:**
2.0 mV/V
- Output Resistance:**
349 to 355 ohm
- Input Resistance:**
380 to 450 ohm
- Material/Finish:**
Stainless steel
- Temperature:**
Operating:
0 °F to 150 °F (-18 °C to 65 °C)
- Seal Type:**
Environmentally sealed, IP67
- Safe Overload:**
150% full scale
- Rated Excitation:**
5 to 10 VDC (15 V maximum)
- Nonlinearity:**
0.03% full scale
- Hysteresis:**
0.02% full scale
- Insulation Resistance:**
5,000 megohm
- Deflection at Capacity:**
10 to 15 lb: 0.0014 in
25 to 200 lb: 0.0010 in
- Cable Length:**
10 ft
- Cable Diameter:**
0.200 in
Polyurethane jacket
- Cable Color Code:**
Red +Excitation
Black -Excitation
Green +Signal
White -Signal
- Warranty:**
One-year limited
- Approvals:**
cFMus



Picture is a representation of actual product

Approvals

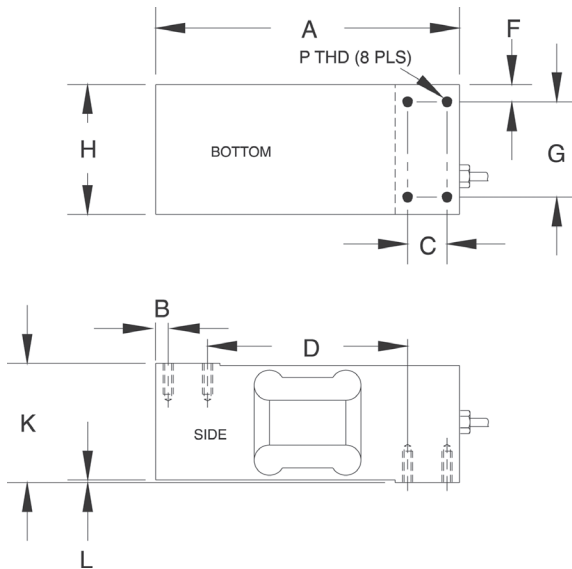


Order Information

Load Rating	Part #	Est. Weight	Price
NTEP Certified			
250 lb	17582	6 lb	\$371.00
300 lb	112689	6 lb	\$371.00
500 lb	17583	6 lb	\$371.00
750 lb	17584	6 lb	\$371.00
1,000 lb	17585	6 lb	\$371.00
2,000 lb	17586	6 lb	\$371.00
Non-NTEP Certified			
100 lb	36479	6 lb	\$371.00
150 lb	112688	6 lb	\$371.00

Dimensions

Rated Capacity	A	B	C	D	F	G	H	K	L	P
lb/in										
100 to 2,000	7.50	0.31	0.98	4.92	0.30	2.36	2.95	2.95	0.06	5/16-18-UNC x 0.75 DP



Specifications

- Full Scale Output:**
2.0 mV/V
- Output Resistance:**
349 to 355 ohm
- Input Resistance:**
400 nominal ohm
- Material/Finish:**
Aluminum, clear anodized
- Temperature:**
Compensated:
14 °F to 104 °F (-10 °C to 40 °C)
Operating:
0 °F to 150 °F (-18 °C to 65 °C)
- Seal Type:**
Environmentally sealed, IP67
- Safe Overload:**
150% full scale
- Safe Sideload:**
100% full scale
- Rated Excitation:**
5 to 10 VDC (15 V maximum)
- Combined Error:**
0.02% full scale
- Insulation Resistance:**
5,000 megohm
- Deflection at Capacity:**
100 to 250 lb: 0.010 in
500 to 2,000 lb: 0.006 in
- Cable Length:**
10 ft
- Cable Diameter:**
0.200 in
Polyurethane jacket
- Cable Color Code:**
Red +Excitation
Black -Excitation
Green +Signal
White -Signal
- Max Platform Size:**
30 x 30 in
- Warranty:**
One-year limited
- Approvals:**
cFMus
NTEP

65016

Alloy Steel, Environmentally Sealed, IP67



Picture is a representation of actual product

Approvals



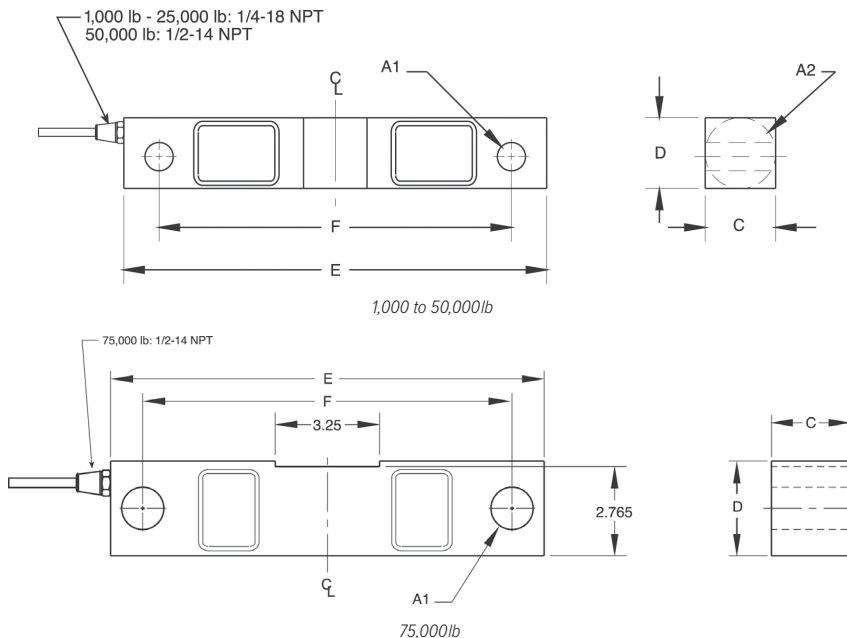
Order Information

Load Rating	Part #	Est. Weight	Price
1,000 lb	17268	4 lb	\$583.00
1,500 lb	17270	4 lb	\$583.00
2,500 lb	17273	4 lb	\$583.00
5,000 lb	17275	4 lb	\$583.00
10,000 lb	17277	7 lb	\$662.00
15,000 lb	17279	7 lb	\$662.00
20,000 lb	17281	7 lb	\$662.00
25,000 lb	17282	7 lb	\$662.00
35,000 lb	46498	8 lb	\$917.00
50,000 lb	17284	27 lb	\$1,033.00
75,000 lb*	25358	27 lb	\$1,033.00

*75,000lb capacity has a square center

Dimensions

Rated Capacity	A1	A2	C	D	E	F	CONDUIT ADAPTER
lb/in							
1,000 to 5,000	0.50	1.25	1.25	1.25	7.50	6.25	1/4-18 NPT
10,000 to 25,000	0.81	1.99	1.44	1.94	8.75	7.50	1/4-18 NPT
35,000	0.81	2.50	1.50	2.50	8.75	7.50	1/4-18 NPT
50,000	1.31	3.00	2.44	2.94	13.50	11.50	1/2-14 NPT
75,000	1.31	—	2.44	2.94	13.50	11.50	1/2-14 NPT



Interchangeable Products

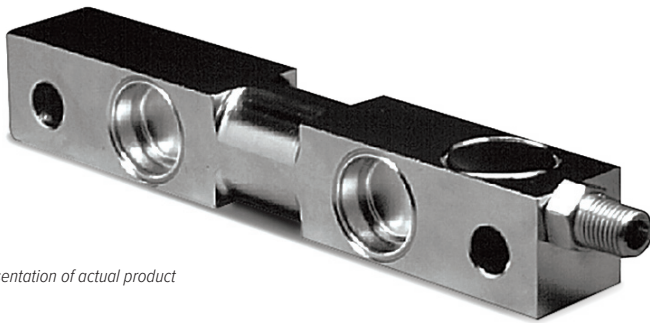
- RICE LAKE WEIGHING SYSTEMS
RL77032..... page 130
- RICE LAKE WEIGHING SYSTEMS
RL75016..... page 133
- VPG® CELTRON®
DSR..... page 195
- VPG® REVERE
5203

Weigh Module Available

- RICE LAKE WEIGHING SYSTEMS
RL1600 Series... page 70 and page 72

Specifications

- Full Scale Output:**
3.0 mV/V nominal
- Output Resistance:**
699 to 707 ohm
- Input Resistance:**
686 to 714 ohm
- Material/Finish:**
High-alloy steel, nickel plated
- Temperature:**
Operating:
0 °F to 150 °F (-18 °C to 65 °C)
- Seal Type:**
Environmentally sealed, IP67
- Safe Overload:**
150% full scale
- Safe Sideload:**
100% full scale
- Rated Excitation:**
5 to 10 VDC (15 V maximum)
- Nonlinearity:**
0.03% full scale
- Hysteresis:**
0.02% full scale
- Insulation Resistance:**
5,000 megohm
- Cable Length:**
25 ft
- Cable Diameter:**
1,000 to 25,000 lb: 0.200 in
50,000 to 75,000 lb: 0.301 in
Polyurethane jacket
- Cable Color Code:**
Red +Excitation
Black -Excitation
Green +Signal
White -Signal
- Warranty:**
One-year limited
- Approvals:**
cFMus



Picture is a representation of actual product

Approvals



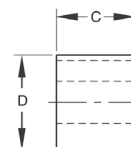
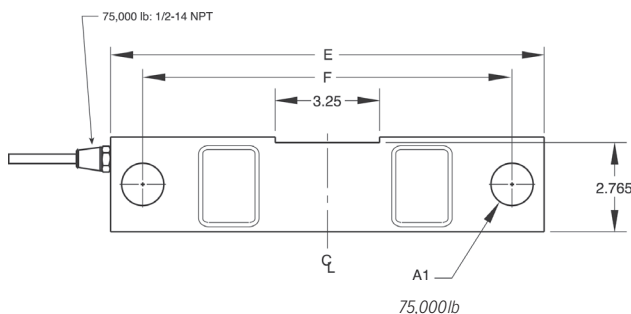
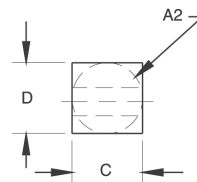
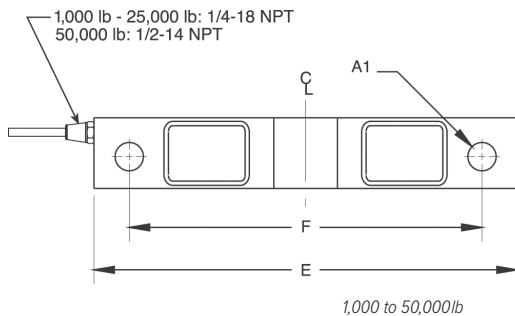
Order Information

Load Rating	Part #	Est. Weight	Price
1,000 lb	36295	4 lb	\$630.00
1,500 lb	36296	4 lb	\$630.00
2,000 lb	36297	4 lb	\$630.00
2,500 lb	36298	4 lb	\$630.00
5,000 lb	36299	4 lb	\$630.00
10,000 lb	36300	7 lb	\$715.00
15,000 lb	36301	7 lb	\$715.00
20,000 lb	36302	7 lb	\$715.00
25,000 lb	36303	7 lb	\$715.00
50,000 lb	36304	27 lb	\$1,479.00
75,000 lb*	36305	27 lb	\$1,479.00

*75,000lb capacity has a square center

Dimensions

Rated Capacity	E	G	A1	A2	B	C	CONDUIT ADAPTER	F
lb/in								
1,000 to 5,000	0.50	1.25	1.25	1.25	7.50	6.25	1/4-18 NPT	1.12
10,000 to 25,000	0.81	1.99	1.44	1.94	8.75	7.50	1/4-18 NPT	1.62
50,000	1.31	3.00	2.44	2.94	13.50	11.50	1/2-14 NPT	3.75
75,000	1.31	—	2.44	2.94	13.50	11.50	1/2-14 NPT	3.75



Interchangeable Products

- RICE LAKE WEIGHING SYSTEMS
RL77032SS HE..... page 132
- RICE LAKE WEIGHING SYSTEMS
RL75016WHE..... page 137
- VPG® SENSORTRONICS®
65016WH..... page 292

Weigh Module Available

- RICE LAKE WEIGHING SYSTEMS
RL1600 Series SS.....page 73

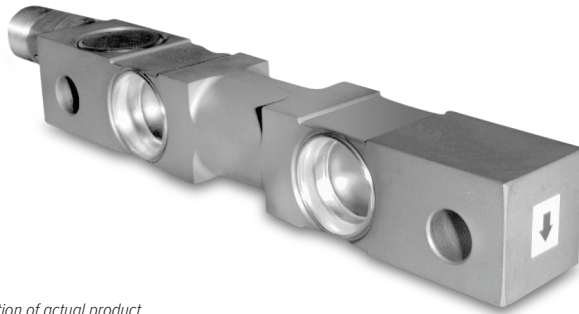
Specifications

- Full Scale Output:**
3.0 mV/V nominal
- Output Resistance:**
699 to 707 ohm
- Input Resistance:**
686 to 714 ohm
- Material/Finish:**
Stainless steel
- Temperature:**
Operating:
0 °F to 150 °F (-18 °C to 65 °C)
- Seal Type:**
Welded-seal, IP67
- Safe Overload:**
150% full scale
- Safe Sideload:**
100% full scale
- Rated Excitation:**
5 to 10 VDC (15 V maximum)
- Nonlinearity:**
0.03% full scale
- Hysteresis:**
0.02% full scale
- Insulation Resistance:**
5,000 megohm
- Cable Length:**
25 ft
- Cable Diameter:**
1,000 to 25,000 lb: 0.200 in
50,000 to 75,000 lb: 0.305 in
Polyurethane jacket
- Cable Color Code:**
Red +Excitation
Black -Excitation
Green +Signal
White -Signal
- Warranty:**
One-year limited
- Approvals:**
cFMus

VPG®
SENSORTRONICS®

65016WH

Stainless Steel, Hermetically Sealed, IP68



Picture is a representation of actual product

Approvals

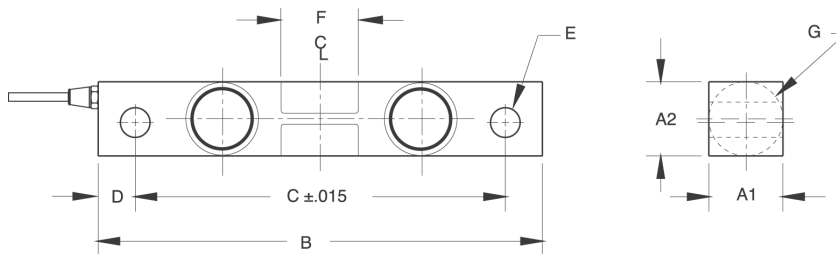


Order Information

Load Rating	Part #	Est. Weight	Price
1,000 lb	65827	4 lb	\$736.00
1,500 lb	65828	4 lb	\$736.00
2,000 lb	65829	4 lb	\$736.00
2,500 lb	65830	4 lb	\$736.00
5,000 lb	65831	4 lb	\$736.00
10,000 lb	65832	7 lb	\$843.00
15,000 lb	65833	7 lb	\$843.00
20,000 lb	65834	7 lb	\$843.00
25,000 lb	65835	7 lb	\$843.00

Dimensions

Rated Capacity	A1	A2	B	C	D	E	F	G	CONDUIT ADAPTER
lb/in									
1,000 to 5,000	1.22	1.22	7.50	6.25	0.62	0.50	1.12	1.25	1/2-14 NPT
10,000 to 25,000	1.44	1.94	8.75	7.50	0.62	0.81	1.62	1.99	1/2-14 NPT



Interchangeable Products

- RICE LAKE WEIGHING SYSTEMS
RL77032SS HE..... page 132
- RICE LAKE WEIGHING SYSTEMS
RL75016WHE..... page 137
- RICE LAKE WEIGHING SYSTEMS
RL75016SS*..... page 135
- VPG® SENSORTRONICS®
65016W*..... page 291

*Welded-seal

Weigh Module Available

- RICE LAKE WEIGHING SYSTEMS
RL1600 Series... page 75 and page 76

Specifications

- Full Scale Output:**
3.0 mV/V nominal
- Output Resistance:**
699 to 707 ohm
- Input Resistance:**
686 to 714 ohm
- Material/Finish:**
Stainless steel
- Temperature:**
Operating:
0 °F to 150 °F (-18 °C to 65 °C)
- Seal Type:**
Hermetically sealed, IP68
- Safe Overload:**
150% full scale
- Safe Sideload:**
100% full scale
- Rated Excitation:**
5 to 10 VDC (15 V maximum)
- Nonlinearity:**
0.03% full scale
- Hysteresis:**
0.02% full scale
- Insulation Resistance:**
5,000 megohm
- Cable Length:**
25 ft
- Cable Diameter:**
0.200 in
Polyurethane jacket
- Cable Color Code:**
Red +Excitation
Black -Excitation
Green +Signal
White -Signal
- Warranty:**
One-year limited
- Approvals:**
cFMus



Picture is a representation of actual product

Approvals



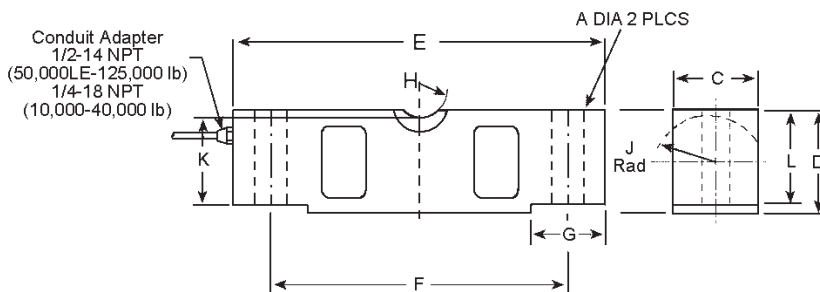
Order Information

Load Rating	Part #	Est. Weight	Price
NTEP Certified			
20,000 lb	21592	7 lb	\$673.00
25,000 lb	21593	7 lb	\$673.00
40,000 lb	21608	13 lb	\$805.00
50,000 lb SE	26081	13 lb	\$895.00
50,000 lb LE	21594	21 lb	\$895.00
60,000 lb	21595	21 lb	\$895.00
75,000 lb	21596	21 lb	\$895.00
100,000 lb	21609	40 lb	\$1,669.00
125,000 lb	21610	40 lb	\$1,669.00
Non-NTEP Certified			
10,000 lb	17287	7 lb	\$652.00
60 ft cable			
75,000 lb	39459	26 lb	\$911.00

SE=small envelope; LE=large envelope

Dimensions

Rated Capacity	A	C	D	E	F	G	H	J	K	L
lb/in										
10,000 to 25,000	0.68	1.69	1.94	7.75	6.50	1.38	0.75	0.90	1.63	1.70
40,000 to 50,000 SE	0.81	1.94	2.44	10.25	8.50	1.93	1.00	1.12	2.00	2.10
50,000 LE to 75,000	1.06	2.44	2.94	10.25	8.50	1.93	1.00	1.37	2.54	2.65
100,000 to 125,000	1.62	2.90	3.86	15.25	12.75	3.13	1.50	1.80	3.30	3.43



Interchangeable Products

- RICE LAKE WEIGHING SYSTEMS
RL75058-LP page 139
- VPG® CELTRON®
CLB page 196

Weigh Module Available

- RICE LAKE WEIGHING SYSTEMS
RL2100 HE page 36
- RICE LAKE WEIGHING SYSTEMS
MVS page 77

Specifications

Full Scale Output:

3.0 mV/V

Output Resistance:

699 to 707 ohm

Input Resistance:

686 to 714 ohm

Material/Finish:

High-alloy steel, nickel plated

Temperature:

Compensated:

14 °F to 104 °F (-10 °C to 40 °C)

Operating:

0 °F to 150 °F (-18 °C to 65 °C)

Seal Type:

Environmentally sealed, IP67

Safe Overload:

150% full scale

Safe Sideload:

100% full scale

Rated Excitation:

5 to 10 VDC (15 V maximum)

Combined Error:

0.02% full scale

Insulation Resistance:

1,000 megohm

Cable Length:

35 ft

Cable Diameter:

10,000 to 25,000 lb: 0.200 in

40,000 to 125,000 lb: 0.305 in

Polyurethane jacket

Cable Coloring:

Red +Excitation

Black -Excitation

Green +Signal

White -Signal

Warranty:

One-year limited

Approvals:

cFMus

NTEP

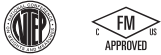
65058S

Stainless Steel, Welded Seal, NTEP Certified 1:10,000 Class III Multiple Cell, IP67



Picture is a representation of actual product

Approvals

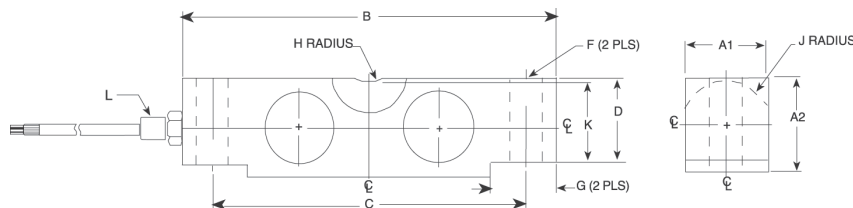


Order Information

Load Rating	Part #	Est. Weight	Price
35 ft Cable			
20,000 lb	45475	7 lb	\$927.00
25,000 lb	45476	7 lb	\$927.00
40,000 lb	45477	11 lb	\$1,160.00
50,000 lb	45478	14 lb	\$1,160.00
60,000 lb	45479	20 lb	\$1,160.00
75,000 lb	45480	20 lb	\$1,160.00
100,000 lb	45481	40 lb	\$2,433.00
125,000 lb	45482	40 lb	\$2,963.00
60 ft Cable			
75,000 lb	48698	20 lb	\$1,300.00

Dimensions

Rated Capacity	A1	A2	B	C	D	F	G	H	J	K	L
lb/in											
20,000 to 25,000	1.69	1.94	7.75	6.50	1.70	0.68	1.38	0.75	0.90	1.63	1/4-18 NPT
40,000	1.94	2.44	10.25	8.50	2.10	0.81	1.93	1.00	1.12	2.00	1/4-18 NPT
50,000 to 75,000	2.44	2.94	10.25	8.50	2.65	1.06	1.93	1.00	1.37	2.54	1/2-14 NPT
100,000	2.44	3.44	10.25	8.50	2.65	1.06	1.93	1.00	1.37	2.54	1/2-14 NPT
125,000	2.90	3.86	15.25	12.75	3.43	1.62	3.13	1.50	1.80	3.30	1/2-14 NPT



Weigh Module Available

RICE LAKE WEIGHING SYSTEMS	
RL2100 HE	page 36
RICE LAKE WEIGHING SYSTEMS	
MVS	page 77

Specifications

- Full Scale Output:** 3.0 mV/V
- Output Resistance:** 699 to 707 ohm
- Input Resistance:** 686 to 714 ohm
- Material/Finish:** Stainless steel
- Temperature:** Compensated: 14 °F to 104 °F (-10 °C to 40 °C)
Operating: 0 °F to 150 °F (-18 °C to 65 °C)

- Seal Type:** Welded-seal, IP67
- Safe Overload:** 150% full scale
- Safe Sideload:** 100% full scale
- Rated Excitation:** 5 to 10 VDC (15 V maximum)
- Nonlinearity:** 0.03% full scale
- Hysteresis:** 0.02% full scale
- Insulation Resistance:** 1,000 megohm
- Cable Length:** 35 ft, 60 ft
- Cable Diameter:** 20,000 to 25,000 lb: 0.200 in
40,000 to 125,000 lb: 0.305 in
Polyurethane jacket
- Cable Coloring:** Red +Excitation
Black -Excitation
Green +Signal
White -Signal

- Warranty:** One-year limited

- Approvals:** cFMus
NTEP



Picture is a representation of actual product

PN 154800 shown

Approvals



Interchangeable Products

- FAIRBANKS®
Rodan 90814-40 k
- FAIRBANKS
Rodan 91088-50 k

Specifications

- Full Scale Output:**
3.0 mV/V
- Output Resistance:**
699 to 707 ohm
- Input Resistance:**
686 to 714 ohm
- Material/Finish:**
High-alloy steel, nickel plated
Stainless steel
- Temperature:**
Compensated:
14 °F to 104 °F (-10 °C to 40 °C)
Operating:
0 °F to 150 °F (-18 °C to 65 °C)
- Seal Type:**
Environmentally sealed, IP67
PN 67387: Welded-seal, IP67

- Safe Overload:**
150% full scale
- Safe Sideload:**
100% full scale
- Rated Excitation:**
5 to 10 VDC (15 V maximum)
- Combined Error:**
0.02% full scale
- Insulation Resistance:**
5,000 megohm
- Cable Length:**
60 ft, copper over braid

- Cable Diameter:**
0.230 in
Polyurethane jacket
- Cable Coloring:**
Red +Excitation
Black -Excitation
Green +Signal
White -Signal

- Warranty:**
One-year limited

- Approvals:**
cFMus
NTEP

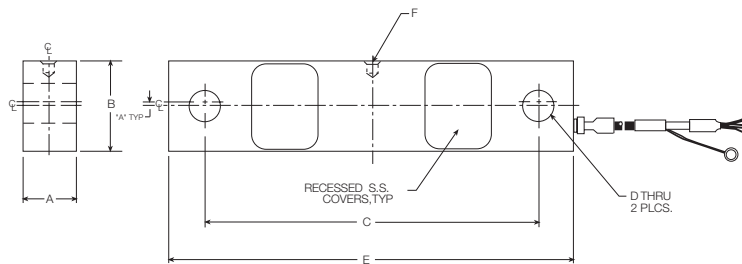
Order Information

Load Rating	Part #	Est. Weight	Price
Alloy Steel			
40,000 lb	47850	18 lb	\$1,267.00
50,000 lb	47851	18 lb	\$1,267.00
Stainless Steel			
50,000 lb (welded-seal)	67387	18 lb	\$1,410.00
50,000 lb* (environmentally sealed)	154800	18 lb	\$1,267.00
Mounting Assembly Accessories*			
Load Button	25524	1 lb	\$51.00
Load Pin	50807	1 lb	\$98.00
Bearing Screw	44837	1 lb	\$130.00
Bushing	50748	1 lb	\$40.00
Load Cell Stand	50767	1 lb	\$327.00
Support Pin	50747	1 lb	\$35.00
Washer	15180	1 lb	\$2.30
Cotter Pin	15244	1 lb	\$1.50
Load Button (use with 154800)*	154802	1 lb	\$37.00

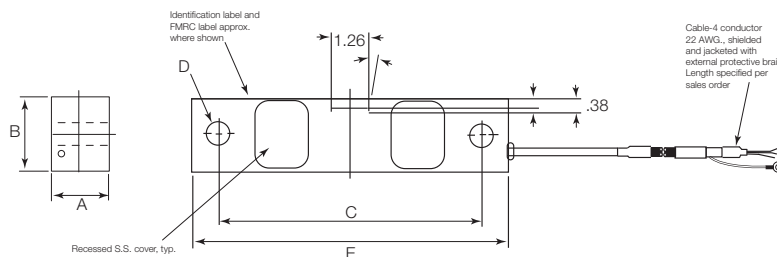
*Counterbored hole for load button

Dimensions

Rated Capacity	A	B	C	D	E	F
lb/in						
40,000	1.94	2.44	8.75	0.78	10.50	0.257 × 0.375 DP
50,000	1.94	2.44	8.75	0.78	10.50	0.257 × 0.375 DP



PN 47850, 47851, 67387



PN 154800

65040A

Alloy Steel, Environmentally Sealed, NTEP Certified Class IIIIL Multiple Cell 1:6,000/1:10,000, IP67

SENSORTRONICS®
V/pc®



Picture is a representation of actual product

Approvals



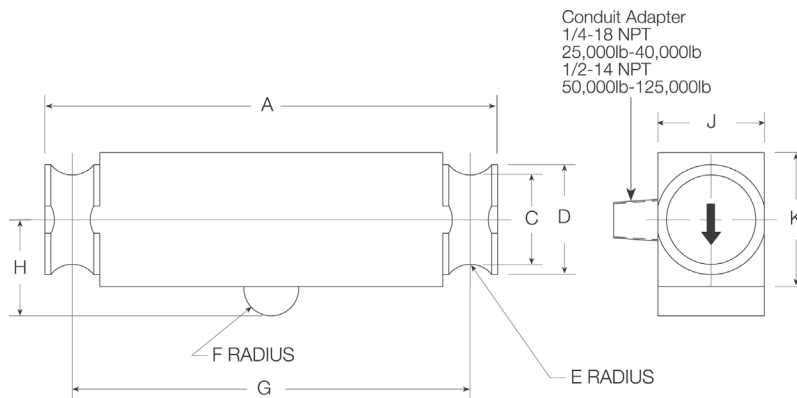
Order Information

Load Rating	Part #	Est. Weight	Price
NTEP Certified			
25,000 lb	21598	11 lb	\$673.00
40,000 lb	21599	11 lb	\$805.00
50,000 lb SE	69562	11 lb	\$805.00
50,000 lb	21600	19 lb	\$885.00
60,000 lb	21601	19 lb	\$885.00
75,000 lb	21602	19 lb	\$885.00
100,000 lb	21603	40 lb	\$1,670.00
125,000 lb	21604	40 lb	\$1,670.00

SE=small envelope

Dimensions

Rated Capacity	A	C	D	E	F	G	H	J	K
lb/in									
25,000 to 50,000 SE	8.25	1.63	2.00	0.50	0.50	7.25	1.75	1.94	2.44
50,000 to 75,000	11.50	1.70	2.20	0.75	1.00	10.00	2.00	1.94	2.94
100,000 to 125,000	14.50	2.44	3.20	1.00	1.50	12.50	2.75	2.90	3.86



Interchangeable Products

RICE LAKE WEIGHING SYSTEMS
RL75040 page 144
 THURMAN®
TSC 840

Weigh Module Available

RICE LAKE WEIGHING SYSTEMS
Translink™ page 78

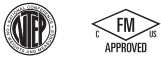
Specifications

- Full Scale Output:**
3.0mV/V
- Output Resistance:**
686 to 714 ohm
- Input Resistance:**
699 to 707 ohm
- Material/Finish:**
High-alloy steel, nickel plated
- Temperature:**
Compensated:
14 °F to 104 °F (-10 °C to 40 °C)
Operating:
0 °F to 150 °F (-18 °C to 65 °C)
- Seal Type:**
Environmentally sealed, IP67
- Safe Overload:**
150% full scale
- Safe Sideload:**
100% full scale
- Rated Excitation:**
5 to 10 VDC (15 V maximum)
- Combined Error:**
0.02% full scale
- Insulation Resistance:**
1,000 megohm
- Cable Length:**
35 ft
- Cable Diameter:**
25,000 lb: 0.200 in
50,000 to 125,000 lb: 0.305 in
Polyurethane jacket
- Cable Coloring:**
Red +Excitation
Black -Excitation
Green +Signal
White -Signal
- Warranty:**
One-year limited
- Approvals:**
cFMus
NTEP



Picture is a representation of actual product

Approvals

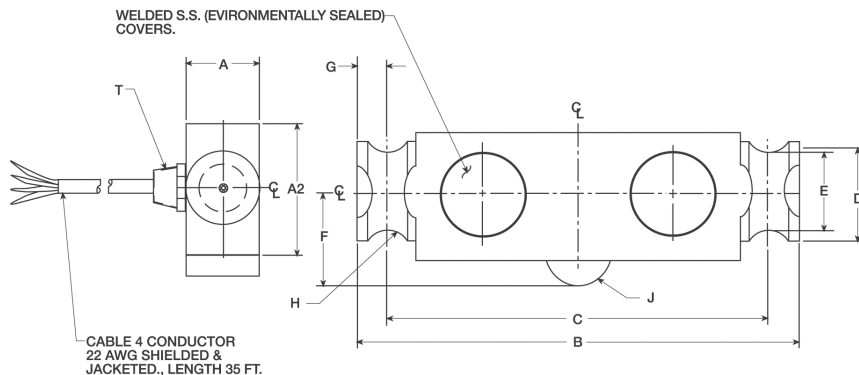


Order Information

Load Rating	Part #	Est. Weight	Price
25,000 lb	45467	15 lb	\$810.00
40,000 lb	45468	15 lb	\$970.00
50,000 lb	45469	25 lb	\$1,055.00
60,000 lb	45470	25 lb	\$1,055.00
75,000 lb	45471	25 lb	\$1,055.00

Dimensions

Rated Capacity	A	A2	B	C	D	E	F	G	H	J	T
lb/in											
25,000 to 40,000	1.94	2.44	8.25	7.25	2.00	1.63	1.75	0.50	0.50	0.50	1/4-18 NPT
50,000 to 75,000	1.94	2.94	11.50	10.00	2.20	1.70	2.00	0.75	0.75	1.00	1/4-18 NPT



Interchangeable Products

- RICE LAKE WEIGHING SYSTEMS
- RL75040 page 144
- VPG® SENSORTRONICS®
- 65040A page 296

Specifications

- Full Scale Output:** 3.0 mV/V
- Output Resistance:** 699 to 707 ohm
- Input Resistance:** 686 to 714 ohm
- Material/Finish:** Stainless steel
- Temperature:** Compensated: 14 °F to 104 °F (-10 °C to 40 °C)
Operating: 0 °F to 150 °F (-18 °C to 65 °C)
- Seal Type:** Welded-seal, IP68
- Safe Overload:** 150% full scale
- Safe Sideload:** 100% full scale
- Rated Excitation:** 5 to 10 VDC (15 V maximum)
- Combined Error:** 0.02% full scale
- Insulation Resistance:** 5,000 megohm
- Cable Length:** 35 ft
- Cable Diameter:** 25,000 lb: 0.200 in
40,000 to 75,000 lb: 0.301 in
Polyurethane jacket
- Cable Coloring:** Red +Excitation
Black -Excitation
Green +Signal
White -Signal
- Warranty:** One-year limited
- Approvals:** cFMus
NTEP

VPG®
SENSORTRONICS®

65040A-1127W

Alloy Steel, Welded Seal, NTEP Certified 1:10,000 Class IIII Multiple Cell, IP67



Picture is a representation of actual product

Approvals

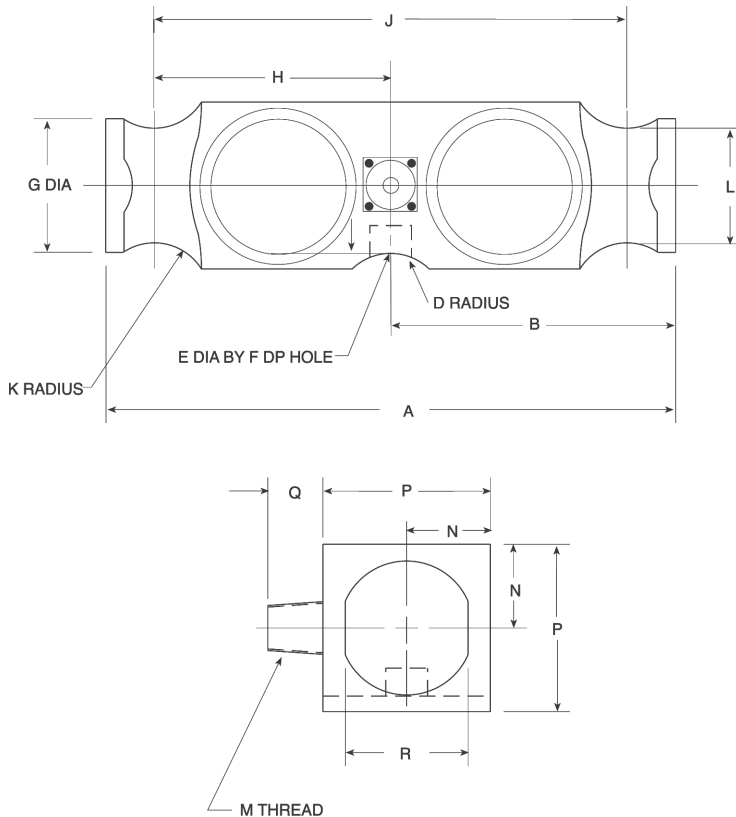


Order Information

Load Rating	Part#	Est. Weight	Price
50,000 lb	66080	18 lb	\$1,055.00
65,000 lb	87162	20 lb	\$1,055.00
100,000 lb	87163	20 lb	\$1,405.00

Dimensions

Rated Capacity	A	B	D	E	F	G	H	J	K	L	M	N	P	Q	R
lb/in															
50,000 to 65,000	10.25	5.12	1.00	0.75	0.78	2.40	4.25	8.50	1.00	2.06	1/2-14 NPT	1.50	3.00	1.03	2.20
100,000	10.25	5.12	1.00	—	—	2.40	4.25	8.50	1.00	2.06	1/2-14 NPT	1.50	3.00	1.03	2.20



Interchangeable Products

- RICE LAKE WEIGHING SYSTEMS
RL75223page 142
- VPG® REVERE
5223page 257
- ARTECH®
80210
- THURMAN®
TSC 800

Weigh Module Available

- RICE LAKE WEIGHING SYSTEMS
Translink™page 78

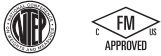
Specifications

- Full Scale Output:**
3.0 mV/V
- Output Resistance:**
686 to 714 ohm
- Input Resistance:**
699 to 707 ohm
- Material/Finish:**
High-alloy steel
- Temperature:**
Compensated:
14 °F to 104 °F (-10 °C to 40 °C)
Operating:
0 °F to 150 °F (-18 °C to 65 °C)
- Seal Type:**
Welded-seal, IP67
- Safe Overload:**
150% full scale
- Safe Sideload:**
100% full scale
- Rated Excitation:**
5 to 10 VDC (15 V maximum)
- Combined Error:**
0.03% full scale
- Non-repeatability:**
0.01% full scale
- Insulation Resistance:**
1,000 megohm
- Deflection at Capacity:**
50,000 lb: 0.018 in
65,000 lb: 0.022 in
100,000 lb: 0.034 in
- Cable Length:**
40 ft
- Cable Diameter:**
0.305 in
Polyurethane jacket
- Cable Color Code:**
Red +Excitation
Black -Excitation
Green +Signal
White -Signal
- Warranty:**
One-year limited
- Approvals:**
cFMus
NTEP



Picture is a representation of actual product

Approvals



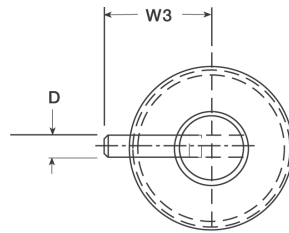
Order Information

Load Rating	Part #	Est. Weight	Price
50,000 lb	46497	5 lb	\$842.00
50,000 lb LE	47952	6 lb	\$842.00
Options			
Replacement anti-rotational pins	116181	1 lb	\$5.00
Replacement O-ring	92988	1 lb	\$1.00

LE=large envelope

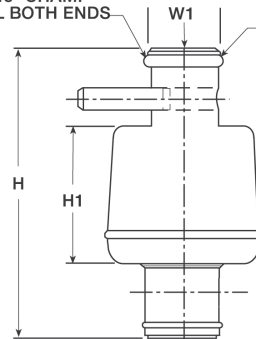
Dimensions

Rated Capacity	A	D	H	H1	H2	W1	W2	W3
50,000 lb/in								
50,000	0.62	0.38	6.00	2.82	1.59	1.46	1.46	2.50
50,000 LE	0.62	0.38	7.56	2.82	1.59	1.46	1.46	2.50

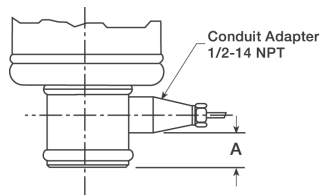


0.060 x 45° CHAMF
TYPICAL BOTH ENDS

O-RING SEAL
TYPICAL BOTH ENDS



4 CONDUCTOR CABLE;
22 AWG; SHIELDED &
JACKETED



Interchangeable Products

FAIRBANKS®
63951

Specifications

Full Scale Output:

2.0 mV/V nominal

Output Resistance:

1,000 (± 10 ohm)

Input Resistance:

1,000 ohm

Material/Finish:

Stainless steel

Temperature:

Compensated:

14 °F to 104 °F (-10 °C to 40 °C)

Operating:

0 °F to 150 °F (-18 °C to 65 °C)

Seal Type:

Hermetically sealed, IP68

Safe Overload:

150% full scale

Rated Excitation:

5 to 10 VDC (15 V maximum)

Combined Error:

0.03% full scale

Insulation Resistance:

1,000 megohm

Cable Length:

35 ft

Cable Diameter:

0.305 in

Polyurethane jacket

Cable Color Code:

Red +Excitation

Black -Excitation

Green +Signal

White -Signal

Warranty:

Two-year limited

Approvals:

cFMus

NTEP

VPG®
SENSORTRONICS®

A large grid of empty cells for data entry, consisting of 30 columns and 40 rows.