

Rice Lake VS-20

COMPANION
ANIMAL SCALES



Model Rice Lake VS-20

Approvals



Part Number/Price

Part #	Model #	Capacity	Price
Consult	Rice Lake VS-20	550 × 0.2 lb (250 kg × 0.1 kg) with USB	Consult

Shipping Weight

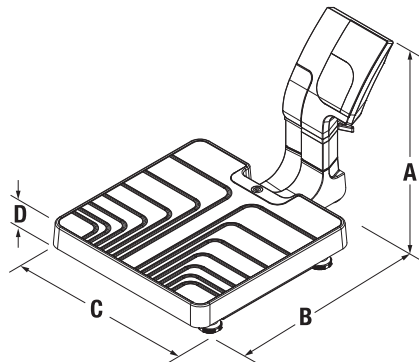
Part #	Model #	L (in)	W (in)	H (in)	Package Wgt. (lb)	Dim Wgt. (lb)	Shipping Wgt. (lb)
Consult	Rice Lake VS-20	12.7	22.4	14.7	25	37	37

Options/Accessories

Part #	Description	Price
115655 †	9 VDC adapter, 120 V/230 V auto switching c-MET medical grade power supply	\$43.00
133077 †	9 VDC adapter, 120 V/230 V auto switching	\$25.00
102508 ††	9 VDC adapter, 230 V	\$30.00
81076	Epson TM-U220 tape printer	\$445.00
186830	Printer cable, 25-pin D-Sub male to RJ-45, 6 ft	\$69.00

Dimensions

	Inches	Centimeters
A	12.7	32.3
B	22.4	57.0
C	14.7	37.5
D	3.0	7.6



Standard Features

- Large, stable scale base
- Non-slip rubber mat, removable for cleaning
- Push-button LCD display
- Unit of measure toggle or locking
- Motiontrap™ movement compensation technology
- EHR capable
- USB or Bluetooth® BLE 4.0 available, part number selectable
- Hold function
- Zero function
- BMI (body mass index) function
- Factory calibrated

Specifications

Capacity:

550 × 0.2 lb (250 × 0.1 kg)

Platform Dimensions:

(L × W × H)

14.5 × 14.5 × 3 in

Power:

9 VDC, provided by six AA alkaline batteries (included) or AC adapter (optional)

Operating Temperature:

50 °F to 104 °F (10 °C to 40 °C)

Battery Type:

Six AA alkaline (included)

Battery Use:

25 hours continuous use with batteries
Automatic power-off can be configured

Display:

5-digit LCD display, 0.75 in (1.9 cm) digit height

Warranty:

Two-year limited