

METTLER-TOLEDO

METTLER-TOLEDO®

Mettler-Toledo Price Index By Rice Lake Weighing Systems PN

RL PN	SUGGESTED LIST	PAGE #	RL PN	SUGGESTED LIST	PAGE #	RL PN	SUGGESTED LIST	PAGE #
10797	CONSULT	34	108684	CONSULT	35	T126	CONSULT	22
11417	CONSULT	20	108895	CONSULT	38	T127	CONSULT	22
11419	CONSULT	20	108927	CONSULT	35	T128	CONSULT	22, 31
11421	CONSULT	20	108928	CONSULT	35	T129	CONSULT	22, 31
11423	CONSULT	20	109234	CONSULT	35	T130	CONSULT	22,31
15263	CONSULT	31	109270	CONSULT	38	T131	CONSULT	22
15276	CONSULT	23	109695	CONSULT	38	T132P	CONSULT	30
22251	CONSULT	37	109323	CONSULT	38	T133P	CONSULT	30
22252	CONSULT	37	130407	CONSULT	38	T134P	CONSULT	30
22268	CONSULT	37	130408	CONSULT	38	T135P	CONSULT	26
22269	CONSULT	37	131376	CONSULT	38	T136L	CONSULT	24
22271	CONSULT	37	156254	CONSULT	35	T137C	Reference RL Part #11423	
22272	CONSULT	37	156255	CONSULT	34	T139	CONSULT	21
22273	CONSULT	37	H655P	CONSULT	30	T141	CONSULT	24
22274	CONSULT	37	H624	CONSULT	31	T142L	CONSULT	24
22276	CONSULT	37	H691	CONSULT	31	T146P	CONSULT	27
22277	CONSULT	37	P701	CONSULT	31	T150P	CONSULT	26
30302	CONSULT	37	P702	CONSULT	31	T151P	CONSULT	26
33915	CONSULT	37	P705	CONSULT	34	T153P	CONSULT	28
69784	CONSULT	34	P707	CONSULT	34	T154	CONSULT	32
71043	CONSULT	34	P716P	CONSULT	30	T155	CONSULT	32
71602	CONSULT	34	T101	CONSULT	21	T156	CONSULT	32
99155	CONSULT	25	T104	CONSULT	21	T161P	CONSULT	26
100268	CONSULT	35	T106	CONSULT	21	T162	CONSULT	21
100269	CONSULT	35	T109	CONSULT	21	T165P	CONSULT	30
100270	CONSULT	35	T113	CONSULT	21	T166P	CONSULT	29
101102	CONSULT	35	T116	CONSULT	21	T167P	CONSULT	29
101169	CONSULT	37	T117	CONSULT	19	T168P	CONSULT	28
101563	CONSULT	34	T122P	CONSULT	26	T169P	CONSULT	28
104164	CONSULT	35	T123P	CONSULT	26	T170P	CONSULT	29
108202	CONSULT	38	T124P	CONSULT	26			
108612	CONSULT	38	T125	CONSULT	22			
108662	CONSULT	35						
108663	CONSULT	35						

*Item obsolete or discontinued. When remaining stock is depleted, published prices are withdrawn and the item is subject to a special order quote.

XX Call for details.

Mettler-Toledo Price Index By Rice Lake Weighing Systems PN

RL PN	SUGGESTED LIST	PAGE #	RL PN	SUGGESTED LIST	PAGE #	RL PN	SUGGESTED LIST	PAGE #
T176P	CONSULT	29	T213L	CONSULT	33	T259	CONSULT	19
T177P	CONSULT	29	T215L	CONSULT	24	T260P	CONSULT	19
T178P	CONSULT	29	T217	CONSULT	24	T261	CONSULT	19
T179P	CONSULT	29	T220L	CONSULT	24	T524	CONSULT	19
T180P	CONSULT	29	T221	CONSULT	24	T529	CONSULT	32
T181P	CONSULT	29	T222	CONSULT	25	T530	CONSULT	32
T182P	CONSULT	29	T229	CONSULT	28	T531	CONSULT	32
T184P	CONSULT	29	T230	CONSULT	28	T533P	CONSULT	XX
T188P	CONSULT	26	T231P	CONSULT	30	T538	CONSULT	XX
T190P	CONSULT	28	T232P	CONSULT	30	T547	CONSULT	32
T194P	CONSULT	29	T235	CONSULT	XX	T548	CONSULT	32
T197P	CONSULT	27	T239P	CONSULT	19	T553	CONSULT	22
T200	CONSULT	28	T241P	CONSULT	28	T554	CONSULT	XX
T202P	CONSULT	29	T245	CONSULT	24	T555	CONSULT	22
T203P	CONSULT	XX	T246	CONSULT	25	T556	CONSULT	22
T204	CONSULT	28	T254P	CONSULT	19	T558P	CONSULT	30
T207	CONSULT	33	T255	CONSULT	19	T562P	CONSULT	30
T208	CONSULT	33	T256	CONSULT	19	T572	CONSULT	22
T209	CONSULT	33	T257	CONSULT	19			
T210L	CONSULT	33	T258	CONSULT	19			
T211	CONSULT	33						
T212	CONSULT	33						

*Item obsolete or discontinued. When remaining stock is depleted, published prices are withdrawn and the item is subject to a special order quote.

XX Call for details..

Mettler-Toledo Cross Reference By Equivalent Mettler-Toledo Number

METTLER-TOLEDO®

EQUIV. METTLER-TOLEDO #	RL PN	PAGE #	EQUIV. METTLER-TOLEDO #	RL PN	PAGE #
3030	15244	XX	22507	T167P	29
3101	69784	34	22535	T168P	28
3102	71043	34	22544	T169P	28
3103	P707	34	23013	T241P	28
3104	P705	34	23048	T135P	26
3105	P716P	30	23275	T530	32
3107	H655P	30	23282	T548	32
3108	H691	31	23443	T531	32
3109	10797	30	23603	T208	33
3110	P701	31	23607	T202P	29
3111	P702	31	23608	T211	33
4018	T217	24	23609	T213L	33
5334	T220L	24	23610	T155	32
5339	T537	23	23615	T184P	29
5350	T222	25	23616	T156	32
6008	T251	XX	23620	T181P	29
7369	T117	19	23622	T529	32
7967	T221	24	23624	T180P	29
8618	T142L	24	23627	T547	32
8619	T141	24	23631	T179P	29
8946	T188P	26	23651	T207	33
11780	T124P	26	23662	T209	33
11785	T135P	26	23666	T182P	29
14662	T116	21	23667	T210L	33
14764	T246	25	23668	T212	33
17212	T109	21	23669	T154	32
17213	T104	21	23674	T194P	29
17214	T245	25	23829	T166P	29
17215	T215L	24	23940	T145P	XX
17217	99155	25	23941	T146P	27
17231	T113	21	23942	T147P	XX
17251	T151P	26	23944	T139	21
17806	T101	21	23947	15276	23
18399	T178P	29	23976	T190P	28
19652	T106	21	24321	T200	28
21005	T136L	24	24322	T230	28
21620	T133P	30	24328	T229	28
22398	T101	21	25648	T176P	29
22461	T162	21	25649	T177P	29
22483	T132P	30	26829	T204	28
22501	T161P	26	30170	T174P	XX
22503	T170P	29	32343	T153P	26

Mettler-Toledo Cross Reference By Equivalent Mettler-Toledo Number







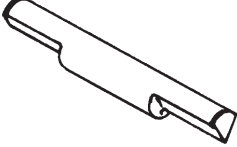


EQUIV. METTLER-TOLEDO #	RL PN	PAGE #
32344	T153PSS	XX
32351	T123P	26
37786	T169PSS	XX
39154	T165P	18, 30
39285	T130	22, 31
39926	T196P	XX
39931	T199P	XX
39947	T569	XX
39955	T198P	XX
39956	T195P	XX
39957	T197P	27
46186	T125	22
46188	T126	22
46189	T127	22
46190	T131	22
46899	T134P	30
47027	T129	22, 31
47030	T128	22, 31
47238	T232P	30
47241	T231P	30
49811	T218P	XX
49820	T252	XX
49827	T253	XX
49839	T260P	19
49854	T239P	19
49857	11423	20
49862	T524	19
49868	11417	20
49869	11419	20
49870	11421	20
66022	T190PSS	XX
72294	T555	22
72369	T562P	30
73124	T558P	30
73162	T556	22
73687	T553	22
75337	T124P	26
75565	T123P	26
75936	T135P	26
75997	T122PSS	XX
80261	T254P	19
80278	T258	19
80280	T257	19
80282	T256	19
80284	T261	19

EQUIV. METTLER-TOLEDO #	RL PN	PAGE #
80285	T259	19
81405	T577	XX
92959	T529	32
92960	T547	32
12765100A	T255	19
127666	11417	20
127667	11419	20
127668	11421	20
127698	T258	19
127699	T257	19
12770000A	T256	19
12824100A	T259	19
235156	T572	22
10010400A	22252	37
10010600A	22276	37
10010900A	22275	37
10011300A	22274	37
10011400A	22269	37
10011500A	22273	37
10011500B	22272	37
10011700A	22251	37
10011800A	22268	37
10015600A	22277	37
MN21018	130408	38
MN31797	108895	XX
MN32058	109270	38
MN61063-13	108684	XX
MZ0909000004	22301	XX
MZ0909000005	108202	38
MZ0909000012	109695	38
TA000088-008	100268	35
TA000088-012	101102	35
TA000088-015	104164	35
TA000088-026	100269	35
TA000088-035	100270	35
TA200712-2	108663	35
TA200764	71602	34
TA200814	101563	34
TA200835-1	156255	34
TA200937-2	109234	35
TA200937-3	108927	35
TA200937-4	108928	35
TA203173		XX
TA205337	156254	35
TN200050	108612	XX
TN201975	131376	40

METTLER-TOLEDO®

Individual Mettler-Toledo Scale Parts

For Model 4181 and 4182 Portable Beams

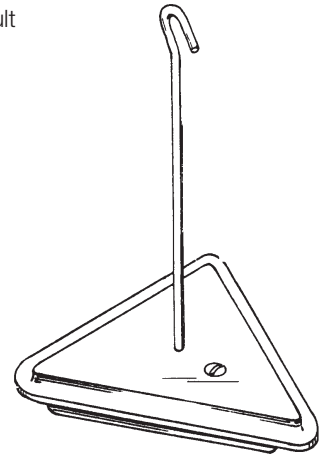
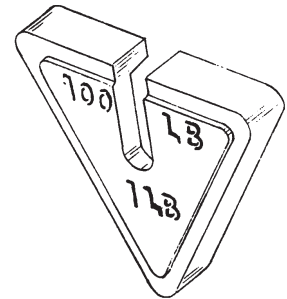
REF	RL PN	QTY	DESCRIPTION	SUGGESTED LIST	
*1	T117	4	Equiv. Mettler-Toledo no. 7369 Size: 1/2 in x 1/2 in x 1/2 in Hole size 0.201 In Bearing-beam, load and fulcrum	Consult	
*2	T254P	1	Equiv. Mettler-Toledo no. 80261 Size: 5/16 in sq x 1 5/8 in (L) Pivot, load, fulcrum and nose Fits models 4181 and 4182	Consult	
*3	T255	4	Equiv. Mettler-Toledo no. 4440, 12765100A Size: 3/16 in x 3/4 in W x 1 5/16 in (L) Bearing, load and all loops Fits models 4181 and 4182	Consult	
*4	T256	1	Equiv. Mettler-Toledo no. 80282, 12770000A Size: 3/16 in x 2 1/8 in W x 3 1/2 in (L) Center loop assembly Fits models 4181 and 4182	Consult	
5	T257	2	Equiv. Mettler-Toledo no. 127699 (80280 Old) Size: 3/16 in x 2 1/8 in W x 2 7/8 in (L) Short fulcrum hook assembly Fits models 4181 and 4182	Consult	
6	T258	2	Equiv. Mettler-Toledo no. 127698 (80278 Old) Size: 3/16 in x 2 1/8 in W x 4 3/4 in (L) Long fulcrum hook assembly Fits models 4181 and 4182	Consult	
7	T259	4	Equiv. Mettler-Toledo no. 80285, 12824100A Size: 5/16 in (Dia) x 1/4 in (L) Support fulcrum hook Fits models 4181 and 4182	Consult	
*8	T260P	1	Equiv. Mettler-Toledo no. 49839 Size: 5/16 in x 9/16 in pivot edge x 1 15/16 in (L) Tip pivot, beam	Consult	
*9	T239P	2	Equiv. Mettler-Toledo no. 49854 Size: 5/16 in x 9/16 in pivot edge x 2 1/8 in (L) Fulcrum and load beam pivot	Consult	
10	T524	1	Equiv. Mettler-Toledo no. 49862 Size: 1 in W x 1 3/4 in H Tip loop, beam	Consult	
*11	T261	1	Equiv. Mettler-Toledo no. 80284 Nose iron hook	Consult	

Order kit no. T-80-K

Individual Mettler-Toledo Scale Parts



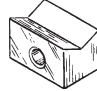
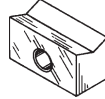
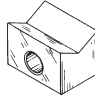
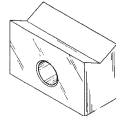
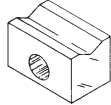
Counterpoise Weights and Hangers for Models 4180, 4181, 4182

RL PN	DESCRIPTION	SUGGESTED LIST
11417	Equiv. Mettler-Toledo no. 127666 (49868 old) Weight: 100 lb x 1 lb Counterpoise weight	Consult
11419	Equiv. Mettler-Toledo no. 127667 (49869 old) Weight: 200 lb x 2 lb Counterpoise weight	Consult
11421	Equiv. Mettler-Toledo no. (49870 old) Weight: 500 lb x 5 lb Counterpoise weight	Consult
11423	Equiv. Mettler-Toledo no. 127665 (49857 old) Weight: 14 oz Counterpoise hanger	Consult



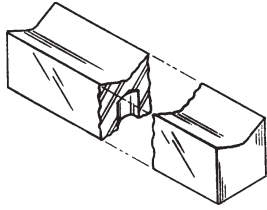
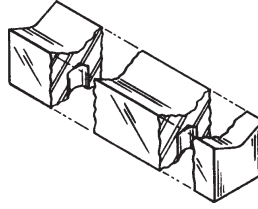
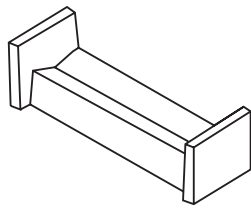
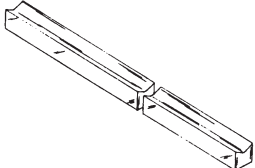
Individual Mettler-Toledo Scale Parts

Bearings

RL PN	DESCRIPTION	SUGGESTED LIST	
T101	Equiv. Mettler-Toledo no. 17806, 22398 Size: 1 3/16 in (Dia) Fulcrum and load bearing, used in industrial Bench and portable dials, etc	Consult	
*T116	Equiv. Mettler-Toledo no. 14662 Size: 1/2 in x 1/2 in x 13/16 in (L) Hole size: 0.201 in	Consult	
T113	Equiv. Mettler-Toledo no. 17231 Size: 5/8 in x 3/4 in x 13/16 in (L) Hole size: 0.323 in	Consult	
T109	Equiv. Mettler-Toledo no. 17212 Size: 5/8 in x 3/4 in x 1 15/16 in (L) Hole size: 0.323 in	Consult	
T106	Equiv. Mettler-Toledo no. 19652 Size: 7/8 in x 7/8 in x 1 1/4 in (L) Hole size: 0.394 in	Consult	
T104	Equiv. Mettler-Toledo no. 17213 Size: 7/8 in x 1 1/4 in x 2 in (L) Hole size: 0.515 in	Consult	
*T139	Equiv. Mettler-Toledo no. 23944 Size: 1 in x 1 1/4 in x 2 in (L) Hole size: 0.515 in	Consult	
T162	Equiv. Mettler-Toledo no. 22461 Size: 1 1/4 in x 1 3/4 in x 2 in (L) Hole size: 5/8 in pin T569 pin and T570 snap ring	Consult	

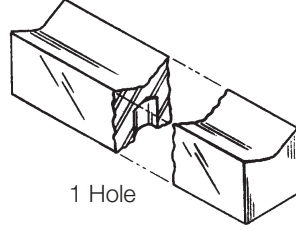
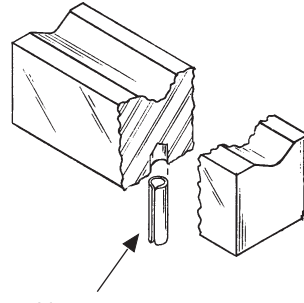
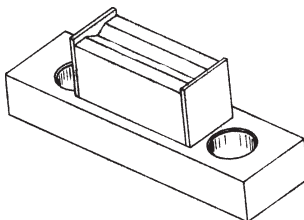
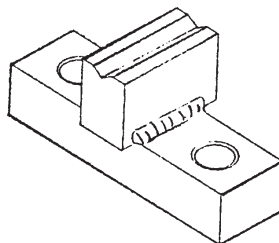
Individual Mettler-Toledo Scale Parts

Bearings (cont.)

RL PN	DESCRIPTION	SUGGESTED LIST	
T128	Equiv. Mettler-Toledo no. 47030 Size: 5/8 in x 5/8 in x 3 15/16 in (L)	Consult	
T129	Equiv. Mettler-Toledo no. 47027 Size: 5/8 in x 5/8 in x 4 11/16 in (L) 1/4 in (Hole)	Consult	
T130	Equiv. Mettler-Toledo no. 39285 Size: 5/8 in x 5/8 in x 5 5/8 in (L)	Consult	
T125	Equiv. Mettler-Toledo no. 46186 Size: 5/8 in x 5/8 in x 2 in (L) 3/16 in holes 1 1/4 center to center	Consult	
*T572	Equiv. Mettler-Toledo no. 235156 Size: 5/8 in x 5/8 in x 2 5/8 in (L) 3/16 in holes 1 1/2 center to center	Consult	
*T126	Equiv. Mettler-Toledo no. 46188 Size: 5/8 in x 5/8 in x 2 3/4 in (L) 3/16 in holes 1 1/2 center to center	Consult	
*T127	Equiv. Mettler-Toledo no. 46189 Size: 5/8 in x 5/8 in x 3 5/8 in (L) 1/4 in holes 2 1/4 center to center	Consult	
*T131	Equiv. Mettler-Toledo no. 46190 Size: 5/8 in x 5/8 in x 5 1/4 in (L) 1/4 in holes 3 1/4 center to center	Consult	
*T556	Equiv. Mettler-Toledo no. 73162 Size: 5/8 in x 5/8 in x 2 3/4 in (L) Friction plates included 1/4 in holes 1 1/2 center to center	Consult	
*T555	Equiv. Mettler-Toledo no. 72294 Size: 5/8 in x 5/8 in x 3 5/8 in (L) Friction plates included 1/4 in holes 2 1/4 center to center	Consult	
*T553	Equiv. Mettler-Toledo no. 73687 Size: 13/16 in x 13/16 in x 8 3/8 in (L) Total length: 16 3/4 in Ground in sets of two Fits saddle block no. 73668 and 94003	Consult	

Individual Mettler-Toledo Scale Parts

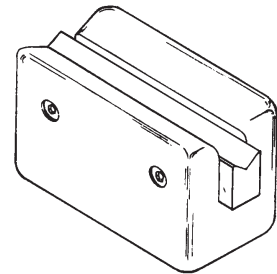
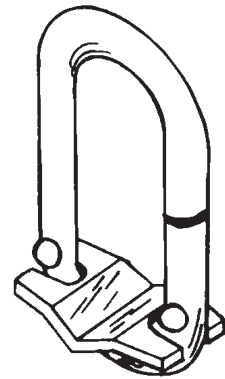
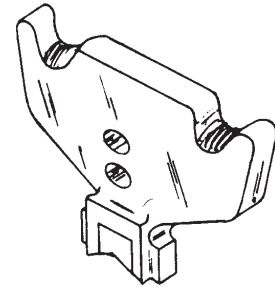
Bearings (cont.)

RL PN	DESCRIPTION	SUGGESTED LIST	
T128	Equiv. Mettler-Toledo no. 47030 Size: 5/8 in x 5/8 in x 3 15/16 in (L) Models: 2691-2791 Motor truck scales	Consult	 <p>1 Hole</p>
T129	Equiv. Mettler-Toledo no. 47027 Size: 5/8 in x 5/8 in x 4 11/16 in (L)	Consult	
T130	Equiv. Mettler-Toledo no. 39285 Size: 5/8 in x 5/8 in x 5 5/8 in (L) Models: 2592, 2692, 2792 Motor truck-steel lever	Consult	
H624	Equiv. Mettler-Toledo no.3106 Size: 1 in x 1 in x 6 1/2 in Bearing, portable vehicle	Consult	 <p>Part No. 15263</p>
H691	Equiv. Mettler-Toledo no. 3108 Size: 1 in x 1 in x 4 in Bearing, portable vehicle	Consult	
P701	Equiv. Mettler-Toledo no. 3110 Size: 3/4 in x 6 in Bearing, portable vehicle 11/16 in holes	Consult	
P702	Equiv. Mettler-Toledo no. 3111 Size: 3/4 in x 2 1/4 in x 6 in Bearing, portable vehicle 11/16 in holes	Consult	

Individual Mettler-Toledo Scale Parts

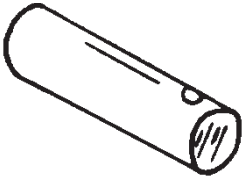
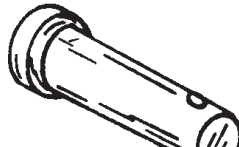
Bearings (cont.)

RL PN	DESCRIPTION	SUGGESTED LIST
T547	Equiv. Mettler-Toledo no. 23627, 92960 Size: 1 1/8 in thick at bearing x 3 1/8 in H x 4 1/4 in W Models: 2591, 2592, 2691, 2692, 2791, 2792 Support, connection link	Consult
T529	Equiv. Mettler-Toledo no. 23622, 92959 Size: 5 1/2 in x 4 3/8 in Bearing: 5/8 in x 5/8 in x 1 3/8 in Models: 2591, 2592, 2691, 2692, 2780, 2781, 2791, 2792, 2890, 2891 Casting no. 92959 Support, connection link	Consult
T548	Equiv. Mettler-Toledo no. 23282 Size: 7/16 in (Dia) x 2 3/4 in inside length Models: 2591, 2592, 2691, 2692, 2791, 2792 Link with bearing	Consult
T530	Equiv. Mettler-Toledo no. 23275 Size: 7/16 in (Dia) x 3 3/4 in inside length Models: 2591, 2592, 2691, 2692, 2792 Link with bearing	Consult
T531	Equiv. Mettler-Toledo no. 23443 Size: 9/16 in (Dia) x 3 3/4 in inside length Model: 2791 Link with bearing	Consult
T154	Equiv. Mettler-Toledo no. 23669 Size: 5 11/16 in overall length With insert T130 Models: 7900-7951 Fulcrum bearing retainer	Consult
T155	Equiv. Mettler-Toledo no. 23610 Size: 4 11/16 in overall length With insert T129 Models: 6900-6951, 7900-7951 Fulcrum bearing retainer	Consult
T156	Equiv. Mettler-Toledo no. 23616 Size: 3 15/16 in overall length With insert T128 Models: 4900-4951, 5900-5951, 6900-6951, 7900-7951 Fulcrum bearing retainer	Consult



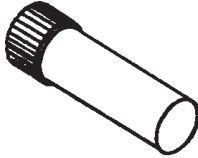
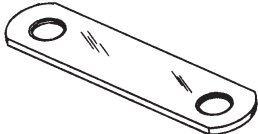
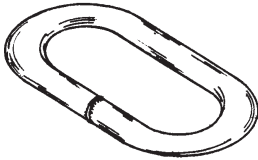
Individual Mettler-Toledo Scale Parts

Pins For Bearing On Built-in, Livestock, Cabinets

RL PN	DESCRIPTION	SUGGESTED LIST	
15276	Heads 30, 31, 32, 33, 40 Equiv. Mettler-Toledo no. 23947 Size: 5/16 in (Dia) x 1 5/8 in overall length Hole size: 1/8 in, 1 1/4 in center to center Models: 2242, 2282	Consult	
*T537	Equiv. Mettler-Toledo no. 5339 Size: 1/2 in (Dia) x 3 in overall length Hole size: 3/16 in Models: 2171, 2271, 2410, 2420, 2430 Pin Use cotter key PN 15244	Consult	

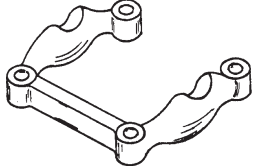
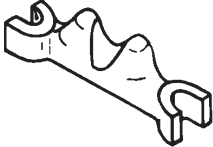
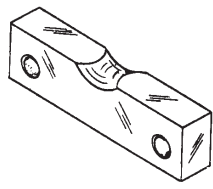
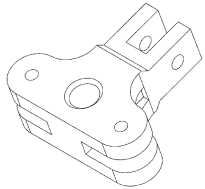
Individual Mettler-Toledo Scale Parts

For Portable Dial and Built-in Scales

RL PN	DESCRIPTION	SUGGESTED LIST	
T141	Equiv. Mettler-Toledo no. 8619 Size: 5/16 in x 1 in (L) Models: 31-1800, 31-1890, 2181, 2481, 2881, 8800 Pin, use with T142I and T246	Consult	
T217	Equiv. Mettler-Toledo no. 4018 Size: 7/16 in x 2 in (L) Models: 2151, 2191 pin, use with T215I and T245	Consult	
T221	Equiv. Mettler-Toledo no. 7967 Size: 5/8 in (Dia) x 2 7/16 in (L) Models: 31-1700, 31-2700, 2171, 2271, 2410, 2420, 2430 Pin, use with T220I	Consult	
T136L	Equiv. Mettler-Toledo no. 21005 Size: 1/8 in x 1 in x 4 3/8 in (L) Hole size: 7/16 in Models: 31-0850, 31-0860, 2030, 2031, 2041 2061, 2071, 2081, 2091, 0860, 0867, 0869, 0890 Link, suspension	Consult	
T142L	Equiv. Mettler-Toledo no. 8618 Size: 5/16 in x 2 1/4 in overall length Models: 31-1800, 31-1890, 2181, 2481, 2881, 8800 Loop or link, used with T141 and T246	Consult	
T215L	Equiv. Mettler-Toledo no. 17215 Size: 1/2 in x 3 1/4 in overall length Models: 2151, 2191 Loop or link, use with T217 and T245	Consult	
*T220L	Equiv. Mettler-Toledo no. 5334 Size: 5/8 in x 3 3/8 in inside length Models: 31-700, 31-2700, 2171 2271, 2410, 2420, 2430, Loop, use with T221 pin and T222 bar	Consult	

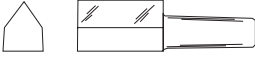
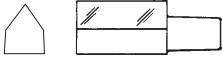



Individual Mettler-Toledo Scale Parts

For Portable Dial and Built-in Scales (cont.)

RL PN	DESCRIPTION	SUGGESTED LIST	
T246	<p>Equiv. Mettler-Toledo no. 14764 Size: 15/16 in H x 2 7/8 in W x 3 1/8 in (L) Models: 31-1800, 31-1890, and 2181, 2481, 2881, 8800 Bracket-link, use with T141 and T142L</p>	Consult	
T245	<p>Equiv. Mettler-Toledo no. 17214 Size: 1 in x 1 1/4 in x 4 1/2 in (L) Models: 2151, 2191, and 31-series floor scales Bar, link, use with T215L</p>	Consult	
T222	<p>Equiv. Mettler-Toledo no. 5350 Size: 3/4 in x 1 1/4 in x 4 5/8 in (L) Hole size: 7/16 in Models: 2171, 2271, 2410, 2420, 2430, 31-1700, 31-2700 Bar, link, use with T220L</p>	Consult	
99155	<p>Equiv. Mettler-Toledo no. 17217 Size: 2 in x 5 1/8 H x 5 5/8 Yoke: Use bearing: T104 Pin: T537 Link: T215L Link pin: T217</p>	Consult	

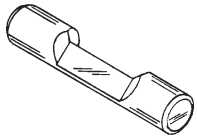
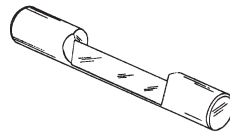
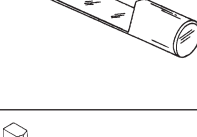
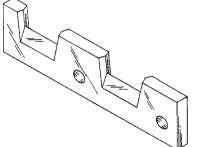
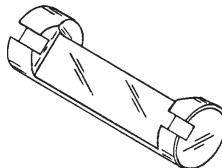
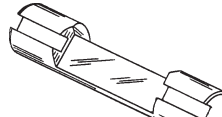
Individual Mettler-Toledo Scale Parts

Tapered Shank Pivots

RL PN	DESCRIPTION	SUGGESTED LIST
T122P	Equiv. Mettler-Toledo no. 11783, 23153 Size: 1/2 in (Dia) x 13/16 in H x 2 3/4 in (L)	
*T188P	Equiv. Mettler-Toledo no. 8946 Size: 1/2 in (Dia) x 13/16 in H x 2 3/16 in (L)	Consult 
*T123P	Equiv. Mettler-Toledo no. 75565, 32351 Size: 13/32 in (Dia) x 5/8 in H x 2 in (L)	Consult 
*T124P	Equiv. Mettler-Toledo no. 11780, 75337 Size: 1/4 in (Dia) x 7/16 in H x 1 17/32 in (L)	Consult 
*T135P	Equiv. Mettler-Toledo no. 11785, 75936 (23048 old) Size: 1/4 in (Dia) x 7/16 in H x 1 13/16 in (L)	Consult 

Individual Mettler-Toledo Scale Parts

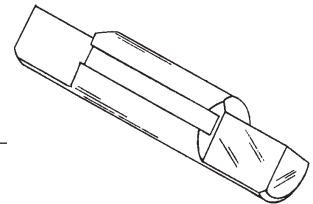
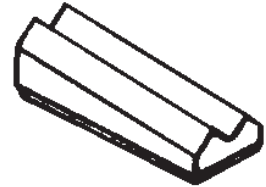
Pivots

RL PN	DESCRIPTION	SUGGESTED LIST	
T151P	Equiv. Mettler-Toledo no. 17251 Size: 1/2 in (Dia) large end x 2 in (L) Pivot edge: 7/8 in Used in portable models, long lever nose	Consult	
T150P	Equiv. Mettler-Toledo no. 8631, 49809 Size: 19/32 in (Dia) large end x 4 in (L) Pivot edge: 2 1/32 in	Consult	
T161P	Equiv. Mettler-Toledo no. 22501 Size: 5/8 in (Dia) large end x 2 13/16 in (L) Pivot edge: 1 5/16 in	Consult	
T153P	Equiv. Mettler-Toledo no. 32343 Size: 1/4 in thick x 1 in H x 4 1/4 in (L) Models: 2031, 2041, 2061, 2071, 2081, 2091, 2181, 2481, 2881 Pivot, nose iron, bench and port	Consult	
T197P	Equiv. Mettler-Toledo no. 39957 Size: 1 1/8 in x 2 1/32 in pivot edge x 3 1/4 in (L) Models: 2352, 2372, 2382, Series: 6-8-10-20 Use wedge T204	Consult	
T146P	Equiv. Mettler-Toledo no. 23941 Size: 7/8 in x 2 1/32 in pivot edge x 3 15/16 in (L) Used in #1-series Capacity 2000 to 5000 lb Use wedge T200 Hopper scale	Consult	

Individual Mettler-Toledo Scale Parts

Wedges For Round Pivots

RL PN	DESCRIPTION	SUGGESTED LIST
T229	Equiv. Mettler-Toledo no. 24328 Size: 5/16 in W x 9/32 in H x 1 1/8 in (L) Use with T192P	Consult
*T230	Equiv. Mettler-Toledo no. 24322 Size: 3/8 in W x 5/16 in H x 1 1/8 in (L) Use with T193P	Consult
T200	Equiv. Mettler-Toledo no. 24321 Size: 1/4 in W x 3/16 in H x 3/4 in (L) Use with T145P, T146P, T168P, T169P and T190P	Consult
T204	Equiv. Mettler-Toledo no. 26829 Size: 1/4 in W x 3/16 in H x 7/16 in (L)	Consult
T168P	Equiv. Mettler-Toledo no. 22535 Size: 3/4 in x 3 1/2 in (L) Pivot edge: 7/8 in Use T200 wedge	Consult
*T169P	Equiv. Mettler-Toledo no. 22544 Size: 7/8 in x 4 1/8 in (L) Pivot edge: 1 9/32 in Center: 1 17/32 in Use T200 wedge	Consult
*T241P	Equiv. Mettler-Toledo no. 23013 Size: 7/8 in x 4 3/16 in (L) Pivot edge: 1 1/4 in Center: 1 21/32 in use wedge T204	Consult
*T190P	Equiv. Mettler-Toledo no. 23976 Size: 1 in x 4 3/8 in (L) Pivot edge: 1 5/16 in Use T200 wedge	Consult



Individual Mettler-Toledo Scale Parts

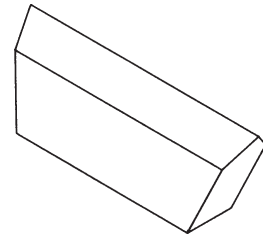
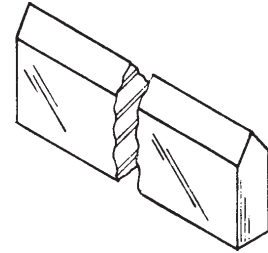
Pivots

RL PN	DESCRIPTION	SUGGESTED LIST	
T166P	Equiv. Mettler-Toledo no. 23829 Size: 1 1/16 in x 2 1/2 in (L) Motor truck scale pivot	Consult	
T181P	Equiv. Mettler-Toledo no. 23620 Size: 7/8 in x 2 7/16 in (L) Motor truck scale pivot	Consult	
T167P	Equiv. Mettler-Toledo no. 22507 Size: 1 1/4 in x 8 3/8 in (L) Motor truck scale pivot use wedge T229	Consult	
*T170P	Equiv. Mettler-Toledo no. 22503 Size: 1 3/4 in x 8 1/2 in (L) Motor truck scale pivot	Consult	
*T179P	Equiv. Mettler-Toledo no. 23631 Size: 3/4 in x 4 3/8 in (L)	Consult	
*T180P	Equiv. Mettler-Toledo no. 23624 Size: 1 in x 5 1/8 in (L) Models: 2691, 2791	Consult	
*T194P	Equiv. Mettler-Toledo no. 23674 Size: 1 in x 5 5/8 in (L) Models: 2691, 2791 (2780-2890 5 sec. only)	Consult	
*T176P	Equiv. Mettler-Toledo no. 25648 Size: 1/2 in x 3 1/4 in (L) Upper center connection Models: 2151, 2191, 2242, 2282	Consult	
*T177P	Equiv. Mettler-Toledo no. 25649 Size: 5/8 in x 5 3/8 in (L) Lower center connection Models: 2151, 2191, 2242, 2282	Consult	
T178P	Equiv. Mettler-Toledo no. 18399 Size: 7/8 in x 4 1/2 in (L) Models: 2151, 2191, 2242, 2282 Pivot, load and fulcrum	Consult	
*T184P	Equiv. Mettler-Toledo no. 23615 Size: 1 in x 6 3/4 in (L) Models: 2691, 2791	Consult	
*T202P	Equiv. Mettler-Toledo no. 23607 Size: 1 in x 8 in (L)	Consult	
T182P	Equiv. Mettler-Toledo no. 23666 Size: 1 1/4 in x 9 1/2 in (L) Models: 2780, 2791, 2890	Consult	

Individual Mettler-Toledo Scale Parts

Pivots (cont.)

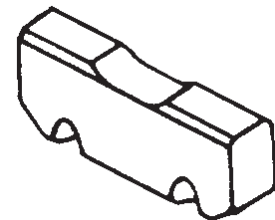
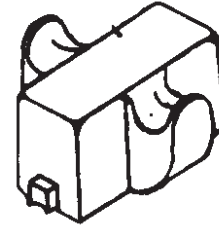
RL PN	DESCRIPTION	SUGGESTED LIST
T132P	Equiv. Mettler-Toledo no. 22483 Size: 3/8 in x 1 in x 2 5/8 in (L) Models: 2781-2891 extension levers, Tank and hopper scales 2501-2601	Consult
T133P	Equiv. Mettler-Toledo no. 21620 Size: 5/16 in x 7/8 in x 2 3/32 in (L) Models: 2781-2891 extension levers	Consult
T165P	Equiv. Mettler-Toledo no. 39154 Size: 5/16 in x 7/8 in x 1 5/8 in (L) Models: 2501, 2601 Motor truck scales, tank and hopper	Consult
*T558P	Equiv. Mettler-Toledo no. 73124 Size: 9/16 in x 1 3/8 in x 6 in (L)	Consult
T134P	Equiv. Mettler-Toledo no. 46899 Size: 9/16 in x 1 3/8 in x 5 11/16 in (L)	Consult
T232P	Equiv. Mettler-Toledo no. 47238 Size: 9/16 in x 1 3/8 in x 4 3/4 in (L)	Consult
T231P	Equiv. Mettler-Toledo no. 47241 Size: 9/16 in x 1 3/8 in x 4 in (L)	Consult
*T562P	Equiv. Mettler-Toledo no. 72369 Size: 9/16 in x 1 3/8 in x 2 5/8 in (L)	Consult
P716P	Equiv. Mettler-Toledo no. 3105 A134580-52 Size: 1/2 in x 1 1/8 in x 6 1/2 in Pivot, portable vehicle	Consult
H655P	Equiv. Mettler-Toledo no. 3107 Size: 1/2 in x 1 1/8 in x 4 in Pivot, portable vehicle	Consult
10797	Equiv. Mettler-Toledo no. 3109 A134581-21 Size: 1/2 in x 1 1/8 in x 2 5/8 in Pivot, portable vehicle	Consult



Individual Mettler-Toledo Scale Parts

Motor Truck, Livestock and Built-in Platform Suspension Parts
For Models: 2591, 2691, 2780, 2791, 2890

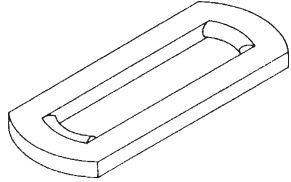
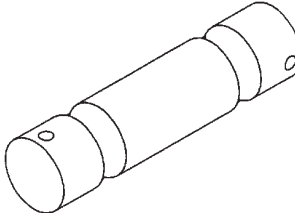
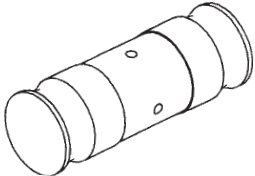
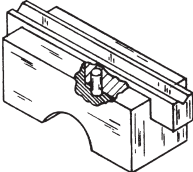
RL PN	DESCRIPTION	SUGGESTED LIST
T207	Equiv. Mettler-Toledo no. 23651 Size: 3 1/4 in overall length of casting 4 in overall length of bearing With T128 bearing insert Models: 2591 and 2592 Saddle block 6 lb	Consult
T208	Equiv. Mettler-Toledo no. 23603 Size: 4 in overall length of casting 4 3/4 in overall length of bearing With T129 bearing insert Models: 2691 and 2692 Saddle block 6 lb	Consult
T209	Equiv. Mettler-Toledo no. 23662 Size: 5 in overall length casting 5 3/4 in overall length of bearing With T130 bearing insert Models: 2780, 2781, 2791, 2792, 2890, 2891 Saddle block 10 lb 5 oz	Consult
T213L	Equiv. Mettler-Toledo no. 23609 Size: 7 3/8 in inside length Models: 2591, 2592, 2691, 2692 Link 4 lb 4 oz	Consult
T210L	Equiv. Mettler-Toledo no. 23667 Size: 8 1/4 in inside length Used in 50, 60 and 70-ton Models: 2791, 2792, 2780, 2781, 2890, 2891 Link 6 lb 4 oz	Consult
T211	Equiv. Mettler-Toledo no. 23608 Size: 6 1/4 in overall length Models: 2591, 2592, 2691, 2692 Trunnion block 5 lb	Consult
T212	Equiv. Mettler-Toledo no. 23668 Size: 7 in overall length Used in 50, 60, and 70-ton Models: 2780, 2781, 2791, 2792, 2890, 2891 Trunnion block 6 lb 5 oz	Consult




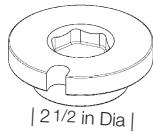

See Mettler-Toledo kits section for complete kits

Individual Mettler-Toledo Scale Parts

Built By Powell, All Steel

RL PN	DESCRIPTION	SUGGESTED LIST	
69784	Equiv. Mettler-Toledo no. 3101 Size: 3/4 in thick x 5 in wide x 12 3/8 in Inside: 8 1/8 in Link	Consult	
P705	Equiv. Mettler-Toledo no. 3104 Size: 2 in (Dia) x 8 1/8 in Lower trunnion pin New style 4 1/2 in center to center radius	Consult	
P707	Equiv. Mettler-Toledo no. 3103 Size: 2 in (Dia) x 5 5/8 in Saddle block pin Upper, new style	Consult	
71043	Equiv. Mettler-Toledo no. Size: 2 in x 2 in x 5 in Saddle block only New style Use bearing H624	Consult	

Digital Load Cell Parts

RL PN	DESCRIPTION	SUGGESTED LIST	
71602	Equiv. Mettler-Toledo no. TA200764, 68000410 Size: 1 1/4 in x 3 3/4 in (Dia) Receiver cup, upper Without o-ring 72103, 22.5 ton For models 7461, 7531, 7541, 7560-7562	Consult	
101563	Equiv. Mettler-Toledo no. TA200814, 68000400 Size: 1 1/4 in x 3 3/4 in (Dia) Receiver cup, with hex 22.5 ton For models 7461, 7531, 7541, 7560-7562	Consult	
156255	Equiv. Mettler-Toledo no. TA200835-1, 68004120 Size: 1 1/2 in x 3 3/4 in (Dia) Receiver cup, upper Without o-ring PN 94272 45 ton	Consult	

Individual Mettler-Toledo Scale Parts

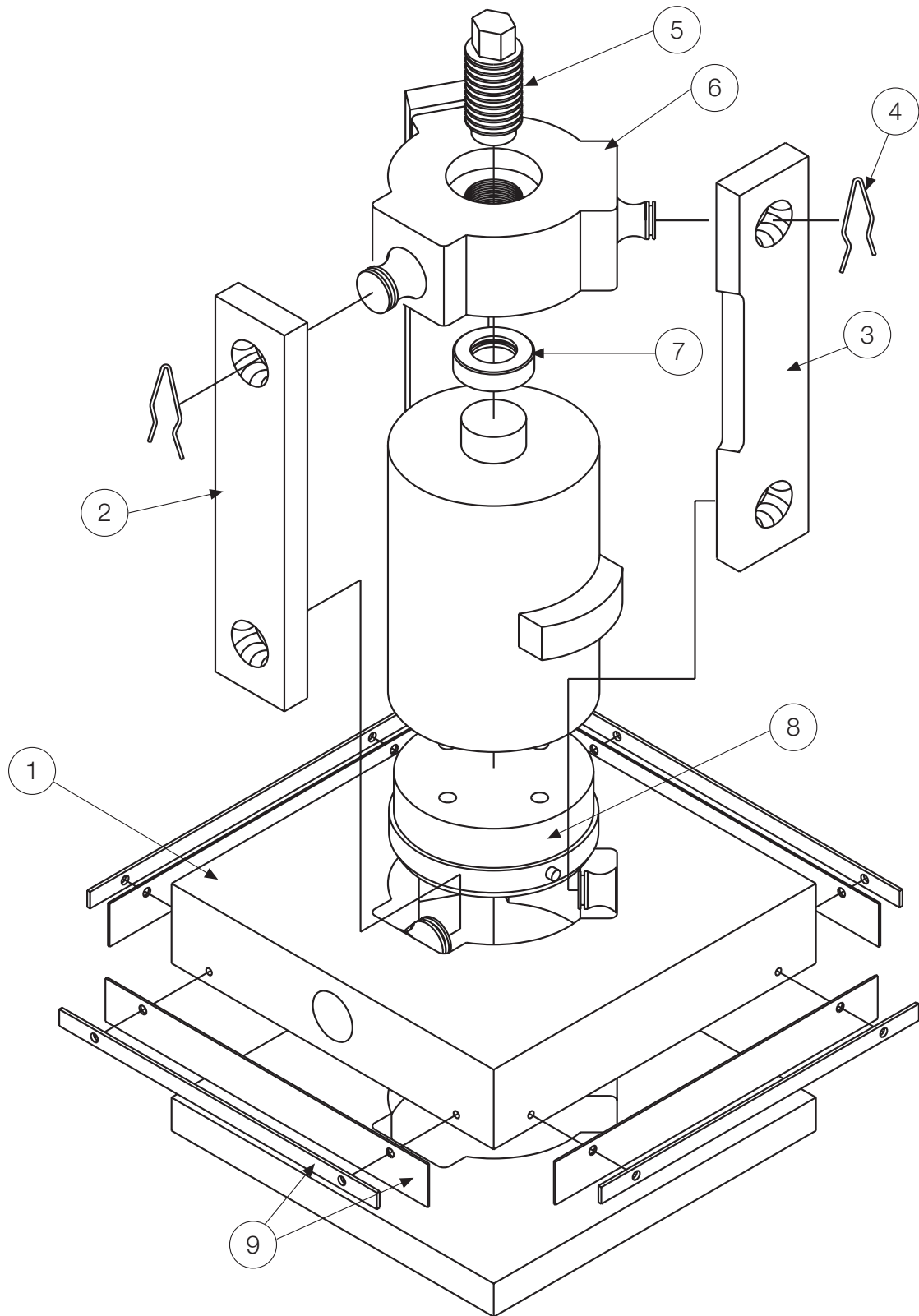
Digital Load Cell Mount Parts

RL PN	DESCRIPTION	SUGGESTED LIST	
156254	Equiv. Mettler-Toledo no. TA205337, 68017716 Size: 1 1/2 in x 4 1/8 in Receiver cup, lower 45 ton	Consult	 2 3/4 in Dia
108684	Equiv. Mettler-Toledo no. TN203173, MN61016-13, 68000443 Size: 9/15 in thick x 1 3/4 in inside dimension x 3 1/2 in outside dimension Gasket/seal	Consult	
108663	Equiv. Mettler-Toledo no. TA200712-2, 68004117 Size: 0.062 in thick 15 ga Shim	Consult	
108662	Equiv. Mettler-Toledo no. MZ0904000063, 68004074 Size: 1/2 in (Dia) x 1 1/2 Roll pin	Consult	
109234	Equiv. Mettler-Toledo no. TA200937-2, 61024615 Size: 3/4 in x 6 in x 16 in Base plate, center no stop	Consult	 103662 Roll Pin
108927	Equiv. Mettler-Toledo no. 61024616 Size: 3/4 in x 6 in x 16 in Base plate, left with stop, pictured	Consult	
108928	Equiv. Mettler-Toledo no. TA200937-4, 61024617 Size: 3/4 in x 6 in x 16 in Base plate, right with stop	Consult	
100268	Equiv. Mettler-Toledo no. TA000088-008, 61024607 Size: 8 feet Cable	Consult	
101102	Equiv. Mettler-Toledo no. TA000088-012, 61044100 Size: 12 feet Cable	Consult	
104164	Equiv. Mettler-Toledo no. TA000088-015, 61007127 Size: 15 feet	Consult	
100269	Equiv. Mettler-Toledo no. TA000088-026, 68000046 Size: 26 feet Cable	Consult	
100270	Equiv. Mettler-Toledo no. TA000088-035, 61007583 Size: 35 feet Cable	Consult	

Mettler-Toledo Scale Parts Reference






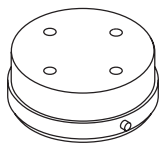
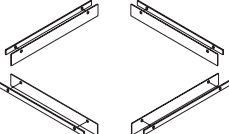
For Bridgemaster Model 7500

METTLER-TOLEDO®



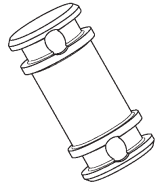
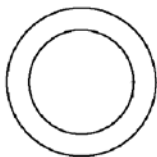

Individual Mettler-Toledo Scale Parts

For Bridgemaster Model 7500

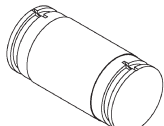
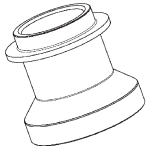
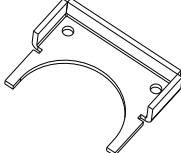
REF	RL PN	QTY	DESCRIPTION	SUGGESTED LIST	
1	22277	1	Equiv. Mettler-Toledo no. Size: 3 in high x 14 in x 14 in Locating plate Link pins on center Pin PN 22271 PN for pins that fit Mettler-Toledo plates, 101169	Consult	
1	33915 30302		Upper plate Lower plate	Consult Consult	
2	22272	2	Equiv. Mettler-Toledo no. Size: 1 in x 3 in x 14 1/8 in Un-notched links	Consult	
3	22273	1	Equiv. Mettler-Toledo no. 10011500A Size: 1 in x 3 in x 14 1/8 in Notched link	Consult	
4	22251	6	Equiv. Mettler-Toledo no. 10011700A Size: fit link pins Retaining clips	Consult	
5	22274	1	Equiv. Mettler-Toledo no. 10011300A Size: 1 3/4 in - 12 thread x 4 3/16 in Center screw 100k	Consult	
6	22276	1	Equiv. Mettler-Toledo no. 10010600A Size: 3 in thick Upper plate Pin PN 22271	Consult	
7	22269	1	Equiv. Mettler-Toledo no. 10011400a Size: 2 1/2 in diameter x 11/16 in Adaptor ring with o-ring	Consult	
8	22268	1	Equiv. Mettler-Toledo no. 10011800A Size: 6 7/16 in diameter x 2 9/16 in Base plate Use allen hd cap screw PN 15076 1/2 in - 20 in x 2 1/4 in	Consult	
9	22252	4	Equiv. Mettler-Toledo no. 10010400A Size: 1/16 in x 1 5/8 in x 14 in Skirt kit	Consult	

Individual Mettler-Toledo Scale Parts

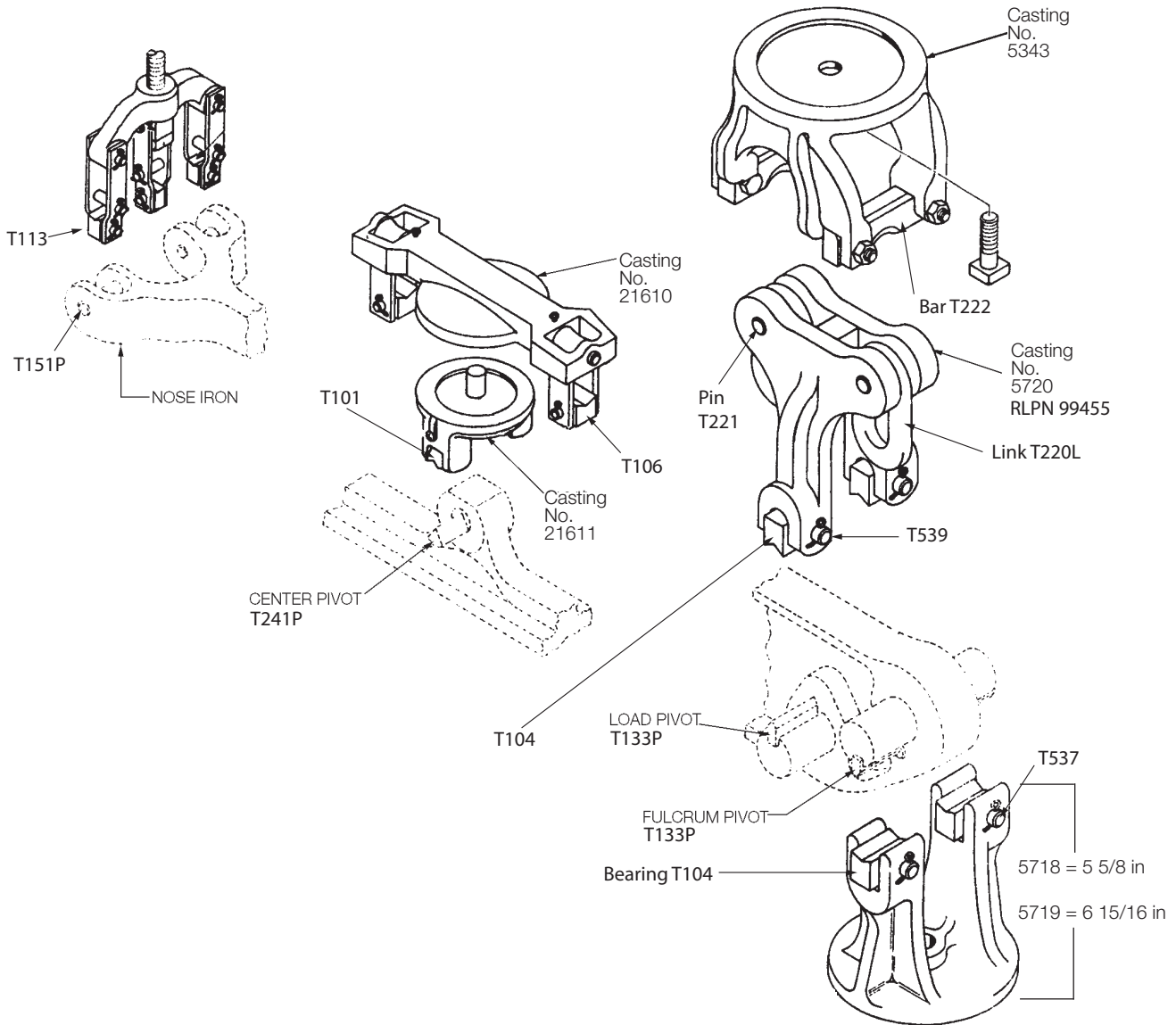
Electronic Floor Scales

RL PN	DESCRIPTION	SUGGESTED LIST	
108612	Equiv. Mettler-Toledo no. TN200050, 68001102 Size: 0.593 in (Dia) x 1.25 in Rocker pin with o-rings, 1 - 5 k scales, 250lb - 2.5k load cells	Consult	
130408	Equiv. Mettler-Toledo no MN21018, 69033610 Size: 0.593 in (Dia) x 1.5 in Rocker pin with o-rings 10k scale 5k load cells	Consult	
131376	Equiv. Mettler-Toledo no. TN201975, 69034095 Size: 0.875 in (Dia) x 1.75 in With o-rings 20k scale, 10k load cells	Consult	
108202	Equiv. Mettler-Toledo no. MZ0909000005, 68000587 Size: 0.437 in inside dimension x 0.625 in outside dimension O-ring for PN 108612 and 131376 For model 2158SS ez-clean 1 - 5 k 2256	Consult	
109695	Equiv. Mettler-Toledo no MZ0909000012, 6933692 Size: 0.675 in inside dimension x 0.875 in outside dimension O-ring for 131376	Consult	
130407	Equiv. Mettler-Toledo no. MN21016, 63057295 Size: 1.375 in (Dia) x 0.750 in H Receiver cup for 130408	Consult	

MASSTRON TRUCK SCALES

RL PN	DESCRIPTION	SUGGESTED LIST	
108895	Equiv. Mettler-Toledo no. MN31475 Size: 1 7/16 in (Dia) x 3 in H O-ring PN 22301 Rocker pin with o-ring 92988	Consult	
109270	Equiv. Mettler-Toledo no MN32058, 61040347 Size: 2 3/4 in (Dia) x 2 5/8 in H Receiver cup	Consult	
109323	Equiv. Mettler-Toledo no MN31790, 68004016 Size: 2 3/4 in W x 1/2 in x 2 in For 35 x 45k load cells Retainer for 109270	Consult	

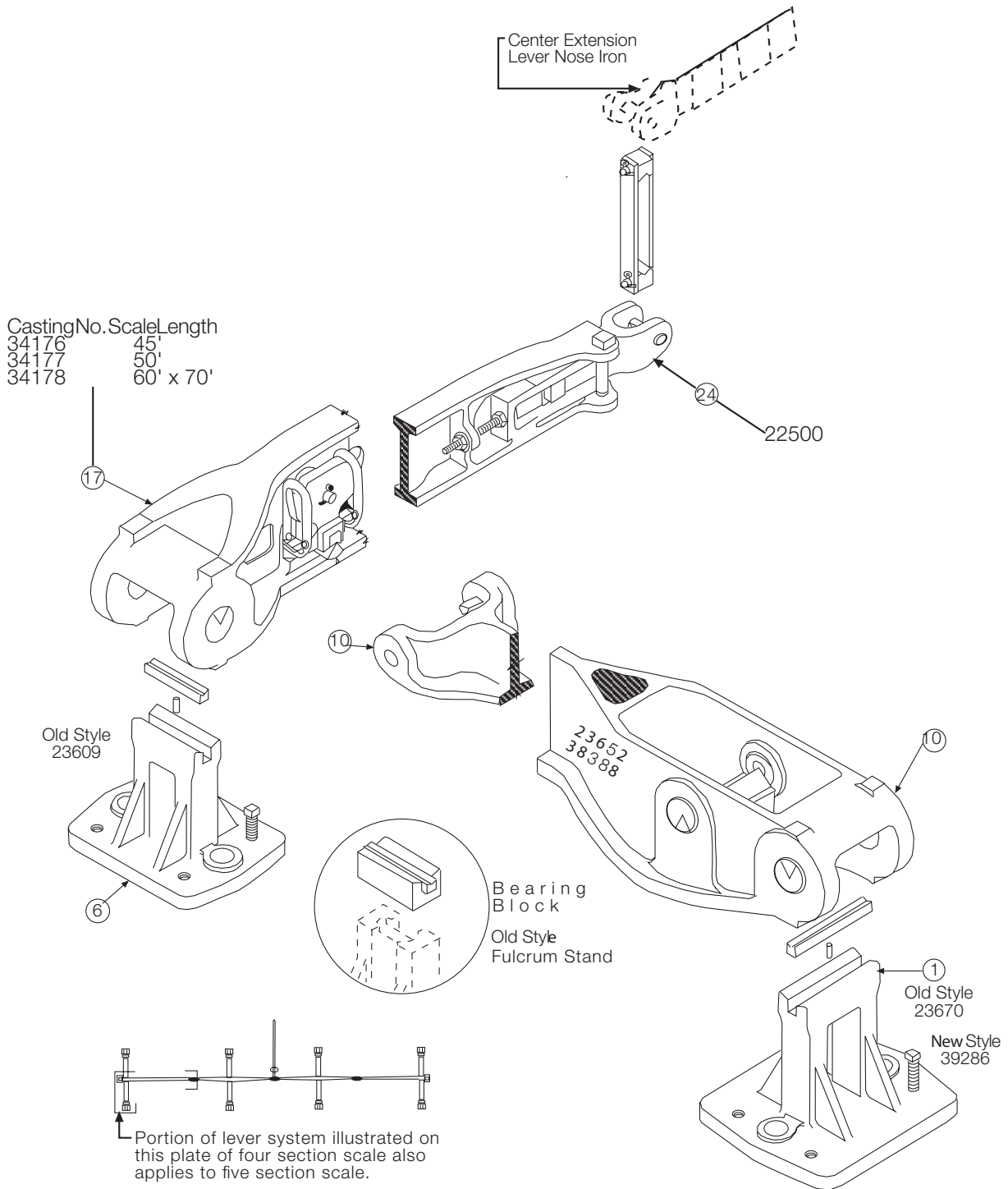
Reconditioned Parts



Bracket, Stand and Yoke

Call 715-234-9171 with Casting No. for Price and Availability

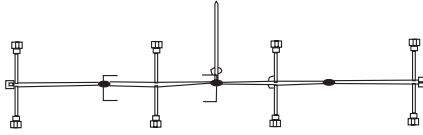
Reconditioned Parts



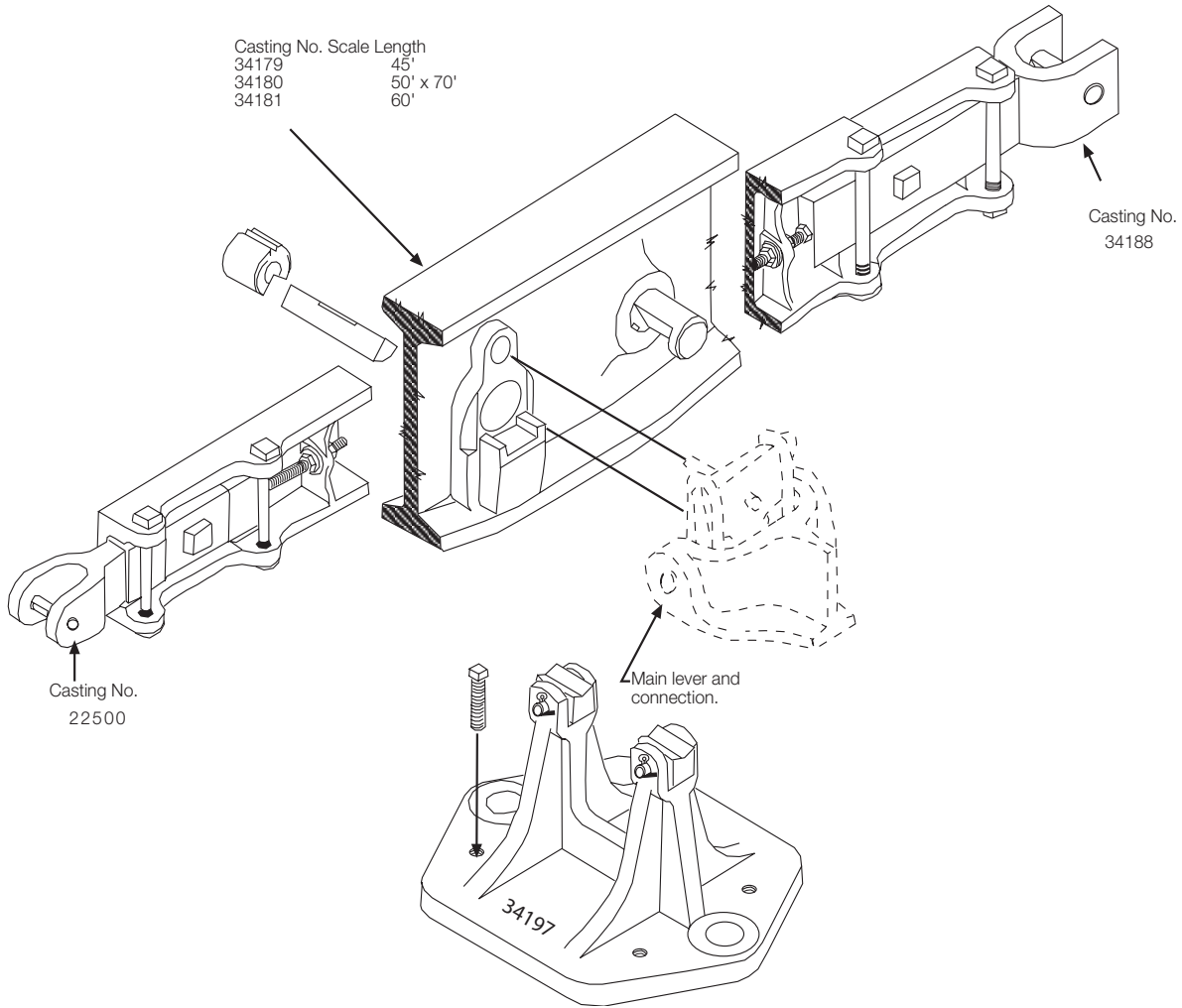
Main Lever, End Extension, and Stands

Call 715-234-9171 with Casting No. for Price and Availability

Reconditioned Parts

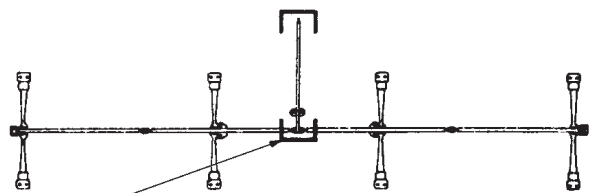


Portion of lever system illustrated on this plate of four section scale. Also applies to five section scale.



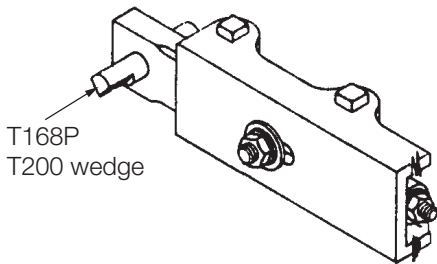
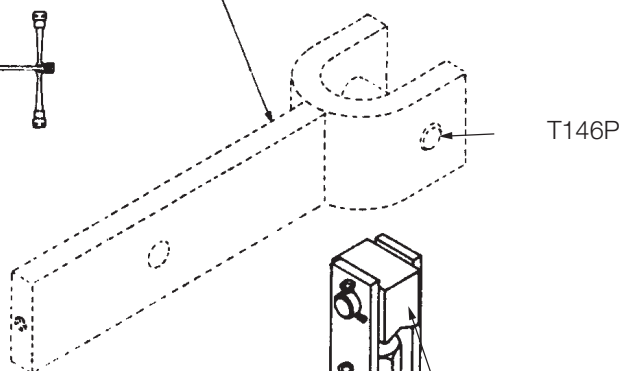
Center Extension Lever, Nose Iron and Stand
 Call 715-234-9171 with Casting No. for Price and Availability

Reconditioned Parts



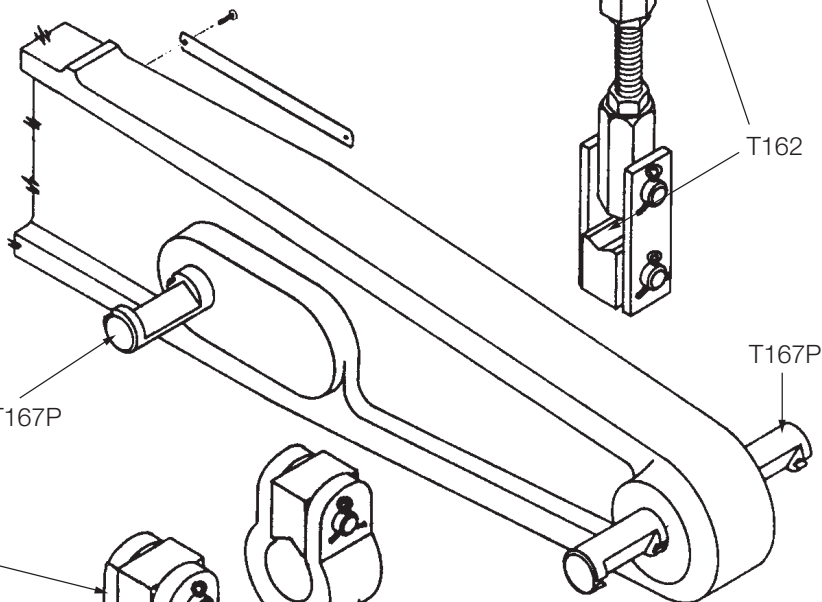
Section of Lever System illustrated on this page

FABRICATED NOSE IRON
ON CENTER
EXTENSION
LEVER



T168P
T200 wedge

Casting No.	Length
34182	8'9" x 6'2/3"
34183	8'9" x 5"
38648	12" x 6'2/3"
38549	12" x 5"

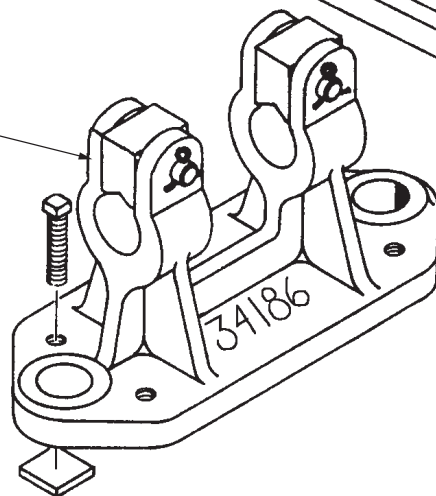


T167P

T167P

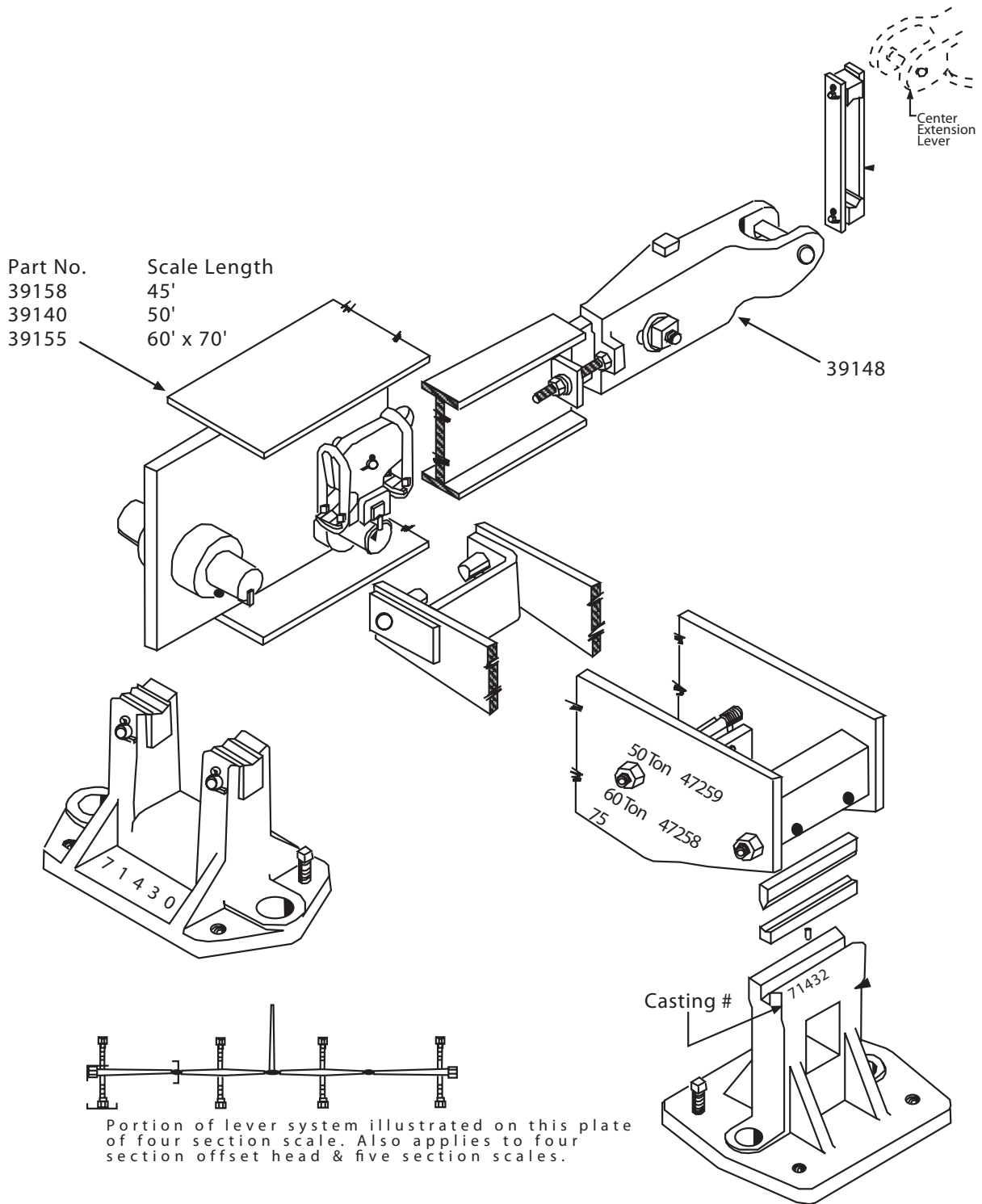
T162

T162



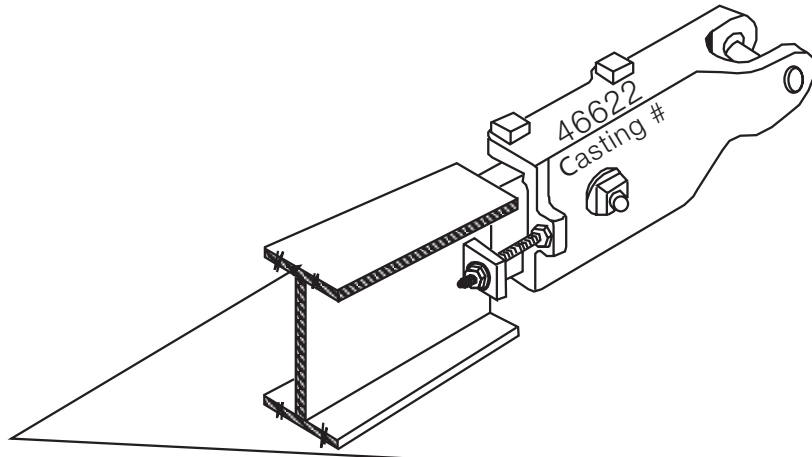
Transverse Lever (Cast), Stand and Connection
Call 715-234-9171 with Casting No. for Price and Availability

Reconditioned Parts

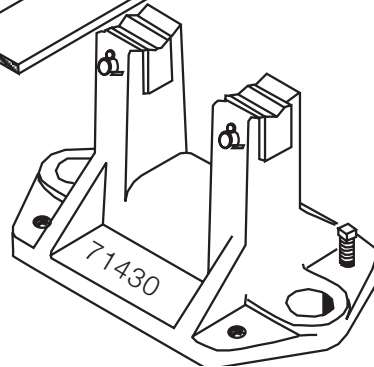
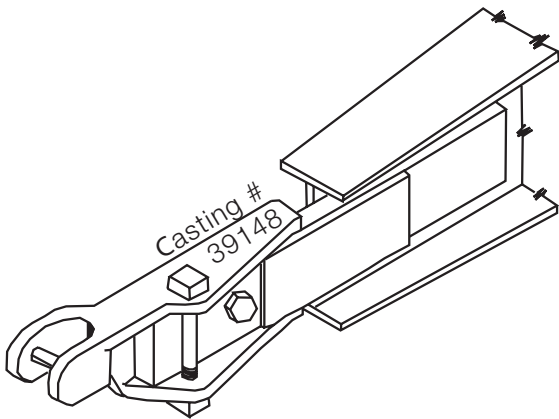
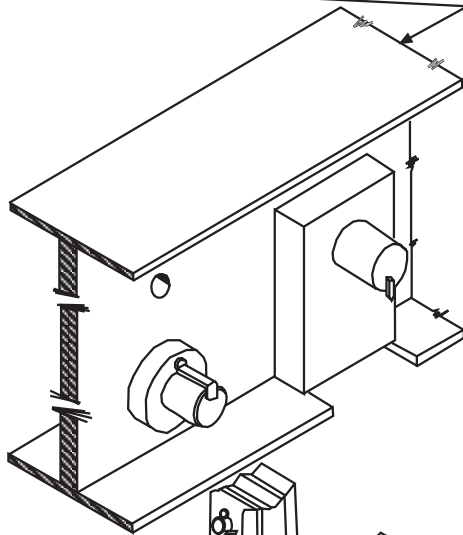


Main Lever, End Extension, (Steel) Nose Iron and Stands
 Call 715-234-9171 with Casting No. for Price and Availability

Reconditioned Parts



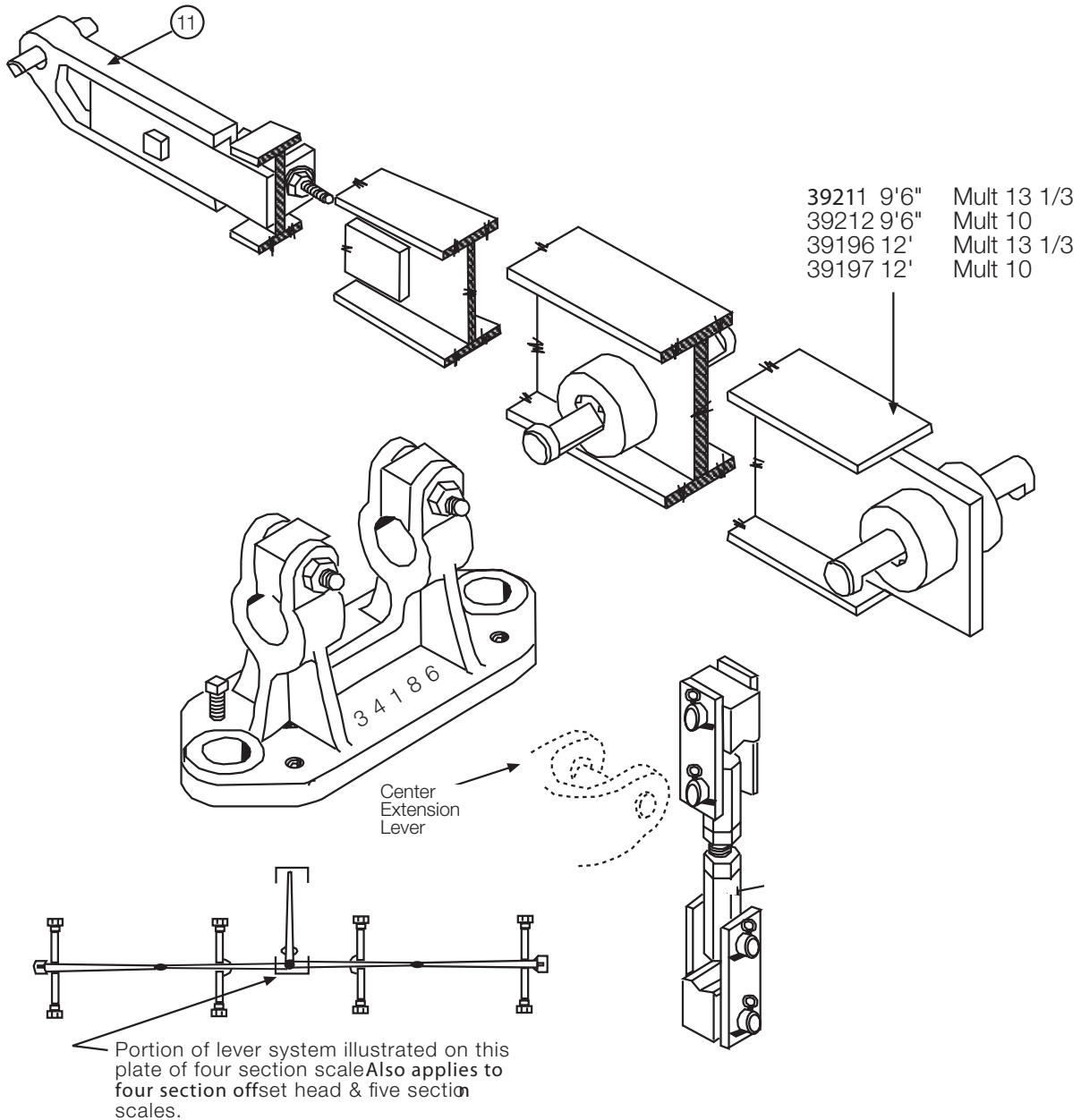
Part No.	Scale Length
39267	10' x 45'
39268	10' x 50' x 70'
39269	10' x 60'



Center Extension, Stand and Nose Irons

Call 715-234-9171 with Casting No. for Price and Availability

Reconditioned Parts



Transverse Lever, Nose Iron and Stand
 Call 715-234-9171 with Casting No. for Price and Availability

METTLER-TOLEDO®

KITS

Mettler-Mettler-Toledo Kit Price Index By Rice Lake Weighing Systems PN

RL PN	SUGGESTED LIST	PAGE #	RL PN	SUGGESTED LIST	PAGE #	RL PN	SUGGESTED LIST	PAGE #
71020	CONSULT	58	T-55-K	CONSULT	49	T-71-K	CONSULT	52
71021	CONSULT	61	T-56-K	CONSULT	55	T-72-K	CONSULT	51
71062	CONSULT	61	T-57-K	CONSULT	56	T-73-K	CONSULT	52
71063	CONSULT	58	T-58-K	CONSULT	53	T-74-K	CONSULT	50
89051	CONSULT	57	T-59-K	CONSULT	54	T-76-K	CONSULT	51
107661	CONSULT	59	T-65-K	CONSULT	55	T-77-K	CONSULT	52
107663	CONSULT	60	T-66-K	CONSULT	56	P-1001K	CONSULT	59
107664	CONSULT	60	T-67-K	CONSULT	50	P-1002K	CONSULT	59
T-50-K	CONSULT	48	T-69-K	CONSULT	50	P-1003K	CONSULT	57
T-54-K	CONSULT	48	T-70-K	CONSULT	51	P-1004K	CONSULT	57

*Item obsolete or discontinued. When remaining stock is depleted, published prices are withdrawn and the item is subject to a special order quote.

XX Call for details.

Kit No. T-54-K

Portable Dial, Models 2181, 2481, 2881 and 2184

EQUIV. TOLEDO # 85573

QTY	RL PN	EQUIV. TOLEDO #	DESCRIPTION
8.....	T101	17806	Bearing
1.....	T109	17212	Bearing
1.....	T113	17231	Bearing
1.....	T116	14662	Bearing
8.....	T122P	11783	Pivot
8.....	T141	8619	Pin
8.....	T142L	8618	Link
1.....	T150P	8631	Pivot
1.....	T151P	17251	Pivot
1.....	T153P	32343	Pivot
4.....	T246	14764	Bracket

Consult Suggested list/10 lb shipping weight

Kit No. T-50-K

Pivot, Bearing and Suspension Levers, Models 2151, 2191, 2154 Lever Tronic, 31-Series,
Floor Scales, Black and Gray Lines

QTY	RL PN	EQUIV. TOLEDO #	DESCRIPTION
8.....	T104	17213	Bearing, load, fulcrum
1.....	T109	17212	Bearing, upper center connection
1.....	T111	17211 or 7743	Bearing, lower center connection
1.....	T113	17231	Bearing, nose iron
1.....	T151P	17251	Pivot, nose iron
1.....	T176P	25648	Pivot, upper center connection
1.....	T177P	25649	Pivot, lower center connection
8.....	T178P	18399	Pivot, load, fulcrum
8.....	T215L	17215	Link
8.....	T217	4018	Pin
8.....	T245	17214	Bar

Consult Suggested list/20 lb shipping weight

Kit No. T-55-K

Livestock and Built-in Scale Models 2171, 2271, 2410, 2420, 2430
Long Lever Casting #25065, 21814, 21601, 23476, 22134, 22130
Short Lever Casting #25066, 21815, 21602, 23479, 22135, 22129

QTY	RL PN	EQUIV. TOLEDO #	DESCRIPTION
4	T101	17806	Bearing
16	T104	17213	Bearing
4	T106	19652	Bearing
3	T113	17231	Bearing
16	T133P	21620	Pivot
3	T151P	17251	Pivot
2	T241P	23013	Pivot
4	T188P	8946	Pivot
8	T220L	5334	Link
8	T221	7967	Pin
8	T222	5350	Bar
16	T223	R653	Bolt

Consult Suggested list/35 lb shipping weight

Additional Parts For Transverse Lever, Stand and Connection On Models 2410 and 2420

QTY	RL PN	EQUIV. TOLEDO #	DESCRIPTION
2	T102	17918	Bearing
4	T113	17231	Bearing
3	T168P	22535	Pivot

Additional Parts For Transverse Lever, Reversing Levers, Stand and Connection On Model 2430

QTY	RL PN	EQUIV. TOLEDO #	DESCRIPTION
2	T101	17806	Bearing
2	T106	19652	Bearing
4	T113	17231	Bearing
4	T162	22461	Bearing
2	T167P	22507	Pivot
2	T168P	22535	Pivot
1	T169P	22544	Pivot

15-Ton Motor Truck Scale Kits

Kit No. T-67-K

Pivots and Bearings, Two-section, Cast Lever System With Main Lever #23644, Models 2591 and 4310

QTY	RL PN	EQUIV. TOLEDO #	DESCRIPTION
2	T113	17231	Bearing, tip, transverse lever
7*	T156	23616	Old style fulcrum block with bearing, T128 insert
Or**	T128	47030	New style bearing, insert only
1	T168P	22535	Pivot, tip, transverse lever
1	T179P	23631	Pivot, load, transverse lever
2	T180P	23624	Pivot, load, end lever
12	T181P	23620	Pivot, tip, end lever, main
11	T184P	23615	Pivot, load and fulcrum, main levers
8	T530	23275	Link
4	T548	23282	Link
4	T207	23651	Saddle block
4	T529	23622	Support block
2	T547	23627	Support block

Consult Suggested list/87 lb shipping weight

*T156, old style block with bearing will be supplied, unless **T128, new style bearing insert is specified. Bearing insert from the old style block can be removed for use in new style scales..

Kit No. T-74-K

Pivots and Bearings, Two-section, Steel Lever System Models 2592 and 4311, Main Lever #47261

QTY	RL PN	EQUIV. TOLEDO #	DESCRIPTION
2	T113	17231	Bearing, nose iron, transverse lever
4	T130	39285	Bearing, fulcrum, main lever
6	T133P	21620	Pivot, fulcrum, four on end extension, two on transverse
4	T134P	46889	Pivot, fulcrum, main lever
6	T162	22461	Bearing, fulcrum, four on end extension, two on transverse
4	T165P	39154	Pivot, load, end extension
8	T166P	23829	Pivot, nose iron, main lever
1	T168P	22535	Pivot, nose iron, transverse lever
4	T181P	23620	Pivot, nose iron, end extension lever
1	T190P	23976	Pivot, load, transverse lever
4	T207	23651	Saddle block or link support with bearing, T128 insert
4	T231P	47241	Pivot, load, main, bearing, main lever load
8	T530	23275	Link
4	T548	23282	Link
4	T529	23622	Support block
2	T547	23627	Support block

Consult Suggested list/67 lb shipping weight

Kit No. T-69-K

Suspension Kit For T-67-K and T-74-K

QTY	RL PN	EQUIV. TOLEDO #	DESCRIPTION
4	T207	23651	Saddle block or support link
8	T213L	23609	Link
4	T211	23608	Trunnion block, bar

Consult Suggested list/77 lb shipping weight

20-Ton Motor Truck and Axle Load Scales

Kit No. T-72-K

Pivots and Bearings, Two-section, Cast Lever System With Main Lever #23633, Models 2691 and 4320

QTY	RL PN	EQUIV. TOLEDO #	DESCRIPTION
2.....	T113	17231	Bearing, nose iron, transverse lever
4*	T155	23610	Old style fulcrum block with bearing, T129 insert
Or**	T129	47027	New style bearing insert, only
3.....	T156	23616	Bearing, fulcrum
1.....	T168P	22535	Pivot, nose iron
1.....	T179P	23631	Pivot, load
2.....	T180P	23624	Pivot, load
12.....	T181P	23620	Pivot, nose
3.....	T184P	23615	Pivot, fulcrum
8.....	T202P	23607	Pivot, load and fulcrum
4.....	T208	23603	Saddle block or link support with bearing, T129 insert
8.....	T530	23275	Link
4.....	T548	23282	Link
4.....	T529	23622	Support
2.....	T547	23627	Support

Consult Suggested list/96 lb shipping weight

*T155 old style block with bearing will be supplied, unless **T129 new style bearing insert is specified. Bearing insert from the old style block can be removed for use in new style scales..

Kit No. T-76-K

Pivots and Bearings, Two-section, Steel Lever Systems, Models 2692 and 4321, Main Lever #47260

QTY	RL PN	EQUIV. TOLEDO #	DESCRIPTION
2.....	T113	17231	Bearing, nose iron, transverse lever
4.....	T130	39285	Bearing, fulcrum, main lever
6.....	T133P	21620	Fulcrum, four end extension and two transverse lever
4.....	T134P	46889	Pivot, fulcrum, main lever
6.....	T162	22461	Bearing, fulcrum, four end extension, two transverse lever
4.....	T165P	39154	Pivot, load, end extension lever
8.....	T166P	23829	Pivot, nose iron, main lever
1.....	T168P	22535	Pivot, nose iron, transverse lever
4.....	T181P	23620	Pivot, nose iron, end extension lever
1.....	T190P	23976	Pivot, load, transverse lever
4.....	T208	23603	Saddle block or link support with bearing, T129 insert bearing, main lever load
4.....	T232P	47238	Pivot, load, main lever
8.....	T530	23275	Link
4.....	T548	23282	Link
4.....	T529	23622	Support
2.....	T547	23627	Support

Consult Suggested list/73 lb shipping weight

Kit No. T-70-K

Suspension Kit For T-72-K and T-76-K

QTY	RL PN	EQUIV. TOLEDO #	DESCRIPTION
4.....	T208	23603	Saddle block or link support with bearing, T129 insert
4.....	T211	23608	Trunnion block, bar
8.....	T213L	23609	Link

Consult Suggested list/81 lb shipping weight

30-Ton Motor Truck and Axle Load Scales

Kit No. T-73-K

Pivots and Bearings, Two-section, Cast Lever System With Main Lever #23652, Models 2791 and 4330

QTY	RL PN	EQUIV. TOLEDO #	DESCRIPTION
2	T113	17231	Bearing, nose iron
4*	T154	23669	Old style fulcrum block with bearing, T130 insert
0**	T130	39285	New style bearing, insert only
2*	T155	23610	Old style fulcrum block with bearing, T129 insert
0**	T129	47027	New style bearing, insert only
1*	T156	23616	Old style stand block with bearing, T128 insert
0**	T128	47030	New style bearing, insert only
8	T166P	23829	Pivot, nose iron
1	T168P	22535	Pivot, nose iron, transverse lever
1	T179P	23631	Pivot, load
4	T181P	23620	Pivot, nose iron
8	T182P	23666	Pivot, load and fulcrum
1	T184P	23615	Pivot, fulcrum
2	T194P	23674	Pivot, load
2	T202P	23607	Pivot, fulcrum
4	T209	23662	Saddle block or link support with bearing, T130 insert
8	T531	23443	Link
4	T529	23622	Support
4	T548	23282	Link
2	T547	23627	Support

Consult suggested list/127 lb shipping weight

*T154, t155, t156 old style blocks with bearing will be sent.

**T130, t129, and t128 new style bearing inserts on request only. The bearing inserts from old style blocks can be removed for use in new style scales.

Kit No. T-77-K

New Style Main Lever KC234517

Pivots and Bearings, Two-section, Steel Lever System, Models 2792, 4331 and 4332, Main Lever #47258

QTY	RL PN	EQUIV. TOLEDO #	DESCRIPTION
2	T113	17231	Bearing, nose iron, transverse lever
4	T130	39285	Bearing, fulcrum, main lever
6	T133P	21620	Pivot, fulcrum, four on end extension, two transverse
8	T134P	46889	Pivot, four fulcrum and four load, main lever
6	T162	22461	Bearing, fulcrum, four end extension, two transverse
4	T165P	39154	Pivot, load, end extension lever
8	T166P	23829	Pivot, nose iron, main lever
1	T168P	22535	Pivot, nose iron, transverse lever
4	T181P	23620	Pivot, nose iron, end extension lever
1	T190P	23976	Pivot, load, transverse lever
4	T209	23662	Saddle block or link support with bearing, T130 insert
8	T530	23275	Link
4	T529	23622	Support
4	T548	23282	Link
2	T547	23627	Support

Consult suggested list/87 lb shipping weight

Kit No. T-71-K

Suspension Kit For T-73-K and T-77-K

QTY	RL PN	EQUIV. TOLEDO #	DESCRIPTION
4	T209	23662	Saddle block or link support with bearing, T130 insert
8	T210L	23667	Link
4	T212	23668	Trunnion block, bar

Consult suggested list/120 lb shipping weight

50- and 60-Ton Motor Truck Scales

Kit No. T-58-K

Pivots and Bearings, Four-section, Cast Lever System Main Lever #23652, 38388, Models 2780, 2790, 4350, 4360

QTY	RL PN	EQUIV. TOLEDO #	DESCRIPTION
4.....	T104.....	17213.....	Bearing, fulcrum stand
4.....	T106.....	19652.....	Bearing, end extension lever, stand and connection
2.....	T113.....	17231.....	Bearing, transverse lever stand and connection
2*	T129.....	47027.....	New style, bearing, end extension lever fulcrum
Or**	T155.....	23610.....	Bearing block with bearing, T129 insert
8*	T130.....	39285.....	New style, bearing, main lever fulcrum stand
Or**	T154.....	23669.....	Bearing block with bearing, T130 insert
2.....	T146P.....	23941.....	Pivot, center extension lever nose
4.....	T161P.....	22501.....	Pivot, two nose end ext. Lever and two center ext. Lever
6.....	T162.....	22461.....	Bearing, transverse lever, four on connection two on load
16.....	T166P.....	23829.....	Pivot, main lever nose
2.....	T167P.....	22507.....	Pivot, transverse lever, load and fulcrum
1.....	T168P.....	22535.....	Pivot, transverse lever nose
2.....	T170P.....	22503.....	Pivot, center extension lever fulcrum
16.....	T182P.....	23666.....	Pivot, main lever, load and fulcrum
4.....	T194P.....	23674.....	Two load, end extension lever and two center extension lever
2.....	T202P.....	23607.....	Pivot, end extension lever, fulcrum
8.....	T209.....	23662.....	Saddle block or link support with bearing T130
16.....	T531.....	23443.....	Link, main lever tip
8.....	T529.....	23622.....	Support, main lever tip

Consult Suggested list/205 lb shipping weight

**T129 and T130 new style bearing insert will be supplied, unless **T155 and T154 old style bearing block with inserts T129 and T130 is specified.*

Kit No. T-65-K

Suspension Kit For T-58-K

QTY	RL PN	EQUIV. TOLEDO #	DESCRIPTION
8.....	T209.....	23662.....	Saddle block or link support with bearing T130
16.....	T210L.....	23667.....	Link
8.....	T212.....	23668.....	Trunnion block, bar

Consult Suggested list/239 lb shipping weight

50- and 60-Ton Motor Truck Scales

Kit No. T-59-K

Pivots and Bearings, Five-section, Cast Lever System Main Lever #23652, 38388, Models 2780, 2890, 4350, 4360

QTY	RL PN	EQUIV. TOLEDO #	DESCRIPTION
6.....	T104	17213	Bearing, fulcrum stand, two on secondary center extension lever and four on center extension lever
4.....	T106	19652	Bearing, nose, extension lever
2.....	T113	17231	Bearing, nose conn, transverse lever,
2*	T129	47027	New style bearing, end extension lever, fulcrum
Or**	T155	23610	Bearing block with bearing, T129 insert
10*	T130	39285	New style bearing, main lever fulcrum stand
Or**	T154	23669	Bearing block with bearing, T130 insert
3.....	T146P	23941	Pivot, nose, one on secondary center extension lever two On center extension lever
4.....	T161P	22501	Pivot, nose, two on end extension lever and two on center extension lever
6.....	T162	22461	Bearing, transverse lever, four conn, two load
20.....	T166P	23829	Pivot, nose, main lever
2.....	T167P	22507	Pivot, load and fulcrum, transverse lever
1.....	T168P	22535	Pivot, nose, transverse lever
1.....	T169P	23013 old # 22544	Pivot, nose, secondary, center lever
3.....	T170P	22503	Pivot, fulcrum, two on center extension lever and one on Secondary center extension lever
20.....	T182P	23666	Pivot, fulcrum and main lever load
5.....	T194P	23674	Pivot, load, two on end extension lever, two on center extension lever, one on secondary center extension lever
2.....	T202P	23607	Pivot, fulcrum, end extension lever
10.....	T209	23662	Saddle block or link support with bearing, T130 insert
20.....	T531	23443	Link, main lever tip
10.....	T529	23622	Support
4.....	T106	19652	Bearing, load and power
2.....	T162	22461	Bearing, fulcrum
1.....	T167P	22507	Pivot, fulcrum
2.....	T169P	23013 old # 22544	Pivot, load and power

Consult suggested list/262 lb shipping weight

*T129 and T130 new style bearing inserts will be supplied, unless ** T154 and T155 old style bearing blocks with bearing inserts T129 and T130 are specified.

Kit No. T-66-K

Suspension Kit For T-59-K

QTY	RL PN	EQUIV. TOLEDO #	DESCRIPTION
10.....	T209	23662	Saddle block or link support with bearing, T130 insert
20.....	T210L	23667	Link
10.....	T212	23668	Trunnion block, bar

Consult suggested list/298 lb shipping weight

50-, 60- and 75*-Ton Motor Truck Scales

Kit No. T-56-K

Pivots and Bearings, Four-section, Steel Lever System, Models 2781, 2784, 2891, 2875*, 4350, 4353, 4360, 4352

Main Lever #KC234517

Main Lever #47258, 60 and 75 Ton

Main Lever #47259, 50 Ton

QTY	RL PN	EQUIV. TOLEDO #	DESCRIPTION
4.....	T106	19652	Bearing
2.....	T113	17231	Bearing
8.....	T130	39285	Bearing
8.....	T133P.....	21620.....	Pivot, fulcrum
16.....	T134P.....	46899.....	Pivot
2.....	T146P.....	23941.....	Pivot, nose
4.....	T161P.....	22501.....	Pivot, nose
14.....	T162	22461	Bearing
8.....	T165P.....	39154.....	Pivot, load
16.....	T166P.....	23829.....	Pivot
2.....	T167P.....	22507.....	Pivot
1.....	T168P.....	22535.....	Pivot
16.....	T531	23443	Link, main lever tip
8.....	T529	23622	Support, main lever tip
8.....	T209	23662	Saddle block or link support with bearing, T130

Consult Suggested list/170 lb shipping weight

*Add For Model 2875, 75-Ton:

QTY	RL PN	EQUIV. TOLEDO #	DESCRIPTION
4.....	T106	19652	Bearing
2.....	T162	22461	Bearing

Kit No. T-65-K

Suspension Kit For T-56-K

QTY	RL PN	EQUIV. TOLEDO #	DESCRIPTION
8.....	T209	23662	Saddle block or link support with bearing T130
16.....	T210L.....	23667.....	Link
8.....	T212	23668.....	Trunnion block, bar

Consult Suggested list/239 shipping weight

50-, 60- and 75-Ton Motor Truck Scales

Kit No. T-57-K

Pivots and Bearings, Five-section, Steel Lever System, Models 2781, 2891, 2875, 4350, 4360

Main Lever #KC234517

Main Lever #47258, 60 and 75 Ton

Main Lever #47259, 50 Ton

QTY	RL PN	EQUIV. TOLEDO #	DESCRIPTION
9.....	T106	19652	Bearing
2.....	T113	17231	Bearing
10.....	T130	39285	Bearing
10.....	T133P	21620	Pivot, fulcrum
20.....	T134P	46899	Pivot
4.....	T146P	23941	Pivot, nose
4.....	T161P	22501	Pivot, nose
18.....	T162	22461	Bearing
10.....	T165P	39154	Pivot, load
20.....	T166P	23829	Pivot
3.....	T167P	22507	Pivot
1.....	T168P	22535	Pivot
10.....	T209	23662	Saddle block or link support with bearing T130
2.....	T139	23944	Bearing
2.....	T169P	22544	Pivot
20.....	T531	23443	Link, main lever tip
10.....	T529	23622	Support, main lever tip

Consult Suggested list/215 shipping weight

Kit No. T-66-K

Suspension Kit For T-57-K

QTY	RL PN	EQUIV. TOLEDO #	DESCRIPTION
10.....	T209	23662	Saddle block or link support with bearing T130
20.....	T210L	23667	Link
10.....	T212	23668	Trunnion block, bar

Consult Suggested list/298 lb shipping weight

TOLEDO PORTABLE VEHICLE SCALES (BUILT BY POWELL)

Kit No. P-1003K

Pivots and Bearings, Two-section, Portable Scales: 10 ft, 20 ft and 25 ft, 32.5 Ton Sectional

QTY	RL PN	DESCRIPTION
10.....	P716P.....	Main pivot
8.....	H624.....	Main bearing
2.....	H655P.....	Backbone pivot
2.....	H691.....	Backbone bearing
3.....	10797.....	Nose iron pivot
3.....	P701.....	Parallel strap with bearing
2.....	P702.....	Horizontal strap with bearing
10.....	15280.....	Alignment pin for (bearing)

Consult Suggested list/50 lb shipping weight

Kit No. 89051

Pivots and Bearings, Two-section, Portable Scales: 30 ft and 35 ft, 32.5 Ton Sectional

QTY	RL PN	DESCRIPTION
12.....	P716P.....	Main pivot
10.....	H624.....	Main bearing
0.....	H655P.....	Backbone pivot
0.....	H691.....	Backbone bearing
3.....	10797.....	Nose iron pivot
3.....	P701.....	Parallel strap with bearing
2.....	P702.....	Horizontal strap with bearing
10.....	15280.....	Alignment pin for (bearing)

Consult Suggested list/55 lb shipping weight

Kit No. P-1004K

Two-section Suspension Kit for P and B Kits P-1003K and 89051, 32.5 Ton Sectional

QTY	RL PN	DESCRIPTION
8.....	69784.....	Link
4.....	71043.....	Upper block with o bearing
4.....	P707.....	Upper bearing pin
4.....	P705.....	Lower trunnion pin
4.....	15288.....	Roll pin

Consult Suggested list/130 lb shipping weight

TOLEDO PORTABLE VEHICLE SCALES (BUILT BY POWELL)

Kit No. 71020

Pivots and Bearings, Three-section, Portable Scales: 35 ft and 40 ft, 32.5 Ton Sectional

QTY	RL PN	DESCRIPTION
16.....	P716P.....	Main pivot
13.....	H624.....	Main bearing
2.....	H655P.....	Backbone pivot
2.....	H691.....	Backbone bearing
4.....	10797.....	Nose iron pivot
4.....	P701.....	Parallel strap with bearing
3.....	P702.....	Horizontal strap with bearing
15.....	15280.....	Alignment pin for (bearing)

Consult Suggested list/75 lb shipping weight

Kit No. 71063

Three-section Suspension Kit for P and B Kits 71020, 32.5 Ton Sectional

QTY	RL PN	DESCRIPTION
12.....	69784.....	Link
6.....	71043.....	Upper block with o bearing
6.....	P707.....	upper bearing pin
6.....	P705.....	lower trunnion pin
6.....	15288.....	Roll pin

Consult Suggested list/195 lb shipping weight

TOLEDO PORTABLE VEHICLE SCALES (BUILT BY POWELL)

Kit No. 107661

Pivots and Bearings, Four-section, Portable Scales: 50 ft, 32.5 Ton Sectional

QTY	RL PN	DESCRIPTION
20.....	P716P.....	Main pivot
16.....	H624.....	Main bearing
4.....	H655P.....	Backbone pivot
4.....	H691.....	Backbone bearing
5.....	10797.....	Nose iron pivot
5.....	P701.....	Parallel strap with bearing
4.....	P702.....	Horizontal strap with bearing
20.....	15280.....	Alignment pin for (bearing)

Consult Suggested list/96 lb shipping weight

Kit No. P-1001K

Pivots and Bearings, Four-section, Portable Scales: 60 ft and 70 ft, 32.5 Ton Sectional

QTY	RL PN	DESCRIPTION
24.....	P716P.....	Main pivot
20.....	H624.....	Main bearing
0.....	H655P.....	Backbone pivot
0.....	H691.....	Backbone bearing
5.....	10797.....	Nose iron pivot
5.....	P701.....	Parallel strap with bearing
4.....	P702.....	Horizontal strap with bearing
20.....	15280.....	Alignment pin for (bearing)

Consult Suggested list/100 lb shipping weight

Kit No. P-1002K

Four-section Suspension Kit for P and B Kits 107661 and P-1101K, 32.5 Ton Sectional

QTY	RL PN	DESCRIPTION
16.....	69784.....	Link
8.....	71043.....	Upper block with o bearing
8.....	P707.....	Upper bearing pin
8.....	P705.....	Lower trunnion pin
8.....	15288.....	Roll pin

Consult Suggested list/255 lb shipping weight

TOLEDO PORTABLE VEHICLE SCALES (BUILT BY POWELL)

Kit No. 107664

Pivots and Bearings, Five-section, Portable Scales: 70 ft, 32.5 Ton Sectional

QTY	RL PN	DESCRIPTION
28.....	P716P.....	Main pivot
23.....	H624.....	Main bearing
2.....	H655P.....	Backbone pivot
2.....	H691.....	Backbone bearing
6.....	10797.....	Nose iron pivot
6.....	P701.....	Parallel strap with bearing
5.....	P702.....	Horizontal strap with bearing
25.....	15280.....	Alignment pin for (bearing)

Consult Suggested list/125 lb shipping weight

Kit No. 107663

Five-section Suspension Kit for P and B Kits 107664, 32.5 Ton Sectional

QTY	RL PN	DESCRIPTION
20.....	69784.....	Link
10.....	71043.....	Upper block with o bearing
10.....	P707.....	Upper bearing pin
10.....	P705.....	Lower trunnion pin
10.....	15288.....	Roll pin

Consult Suggested list/320 lb shipping weight

TOLEDO PORTABLE VEHICLE SCALES (BUILT BY POWELL)

Kit No. 71021

Pivots and Bearings, Six-section, Portable Scales: 70 ft and 80 ft, 32.5 Ton Sectional

QTY	RL PN	DESCRIPTION
32.....	P716P.....	Main pivot
26.....	H624.....	Main bearing
4.....	H655P.....	Backbone pivot
4.....	H691.....	Backbone bearing
7.....	10797.....	Nose iron pivot
7.....	P701.....	Parallel strap with bearing
6.....	P702.....	Horizontal strap with bearing
30.....	15280.....	Alignment pin for (bearing)

Consult Suggested list/145 lb shipping weight

Kit No. 71062

Six-section Suspension Kit for P and B Kits 71021, 32.5 Ton Sectional

QTY	RL PN	DESCRIPTION
24.....	69784.....	Link
12.....	71043.....	Upper block with o bearing
12.....	P707.....	Upper bearing pin
12.....	P705.....	Lower trunnion pin
12.....	15288.....	Roll pin

Consult Suggested list/385 lb shipping weight

