

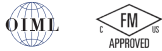
SEB

Alloy Steel, Environmentally Sealed, OIML C3, IP67



Picture is a representation of actual product

Approvals

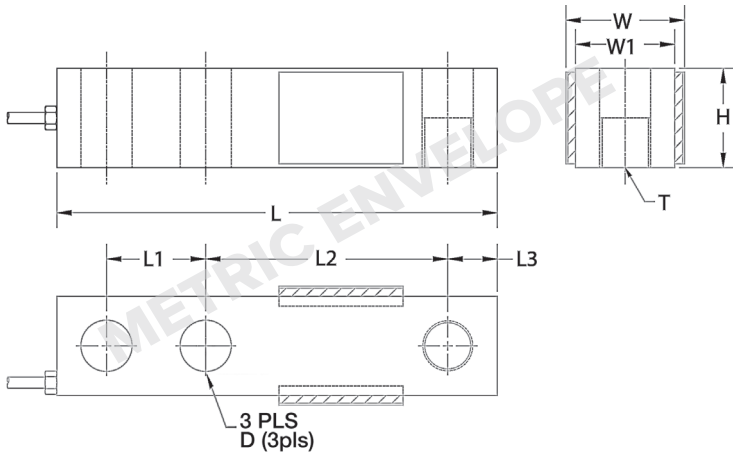


Order Information

Load Rating	Part #	Est. Weight	Price
500 kg	69315	3 lb	Consult
1 t	69316	3 lb	Consult
2 t	69318	3 lb	Consult
2.5 t	69319	3 lb	Consult

Dimensions

Rated Capacity	L	L1	L2	L3	W	W1	H	D	T
kg-t/mm									
500 to 2.5	130.0	25.4	76.2	12.7	38.1	31.8	31.8	13.5	M12 × 1.75



Specifications

- Full Scale Output:**
3.0 mV/V
- Output Resistance:**
350 (± 3) ohm
- Input Resistance:**
385 (± 5) ohm
- Material/Finish:**
High-alloy steel, nickel plated
- Temperature:**
Compensated:
14 °F to 104 °F (-10 °C to 40 °C)
Operating:
0 °F to 150 °F (-18 °C to 65 °C)
- Seal Type:**
Environmentally sealed, IP67
- Safe Overload:**
150% full scale
- Safe Sideload:**
100% full scale
- Rated Excitation:**
5 to 15 VDC
- Combined Error:**
0.025%
- Insulation Resistance:**
5,000 megohm
- Cable Length:**
6 m
- Cable Diameter:**
0.200 in
Polyurethane jacket
- Cable Color Code:**
Red +Excitation
Black -Excitation
Green +Signal
White -Signal
- Warranty:**
One-year limited
- Approvals:**
cFMus
OIML