

Livestock Scales

TABLE OF CONTENTS

RoughDeck® SLV **642**
Single Animal Livestock Scale

RoughDeck® EQ..... **644**
Equine Floor Scale and Indicator Package

Farm Bars **646**
With 380 Indicator

Farm Bars **647**
Without Instrumentation

The following product names, logos, brands and other trademarks featured or referred to within this publication are the property of their respective trademark holders.

RoughDeck® SLV

Single Animal Livestock Scale



Approvals



Standard Features

- Mild steel construction
- Rugged diamond safety treadplate deck
- Rigid structural steel channel frame
- NEMA Type 4X stainless steel side-access junction box without quick connector
- Signal trim summing board
- Four adjustable stainless steel SUREFOOT™ support feet
- SURVIVOR® EL147HE hostile environment load cell cable
- Four alloy steel load cells

Specifications

Full Scale Capacity:

4,000 lb, 1 lb increments

End Load Capacity:

125% full scale

Cable Length:

20 ft (6 m)

Warranty:

Two-year limited (scale only)

Approvals:

NTEP 92-001 Class III 4,000 d

Capacity not to exceed 4,000 lb x 1 lb and platform size not to exceed 32 sq ft

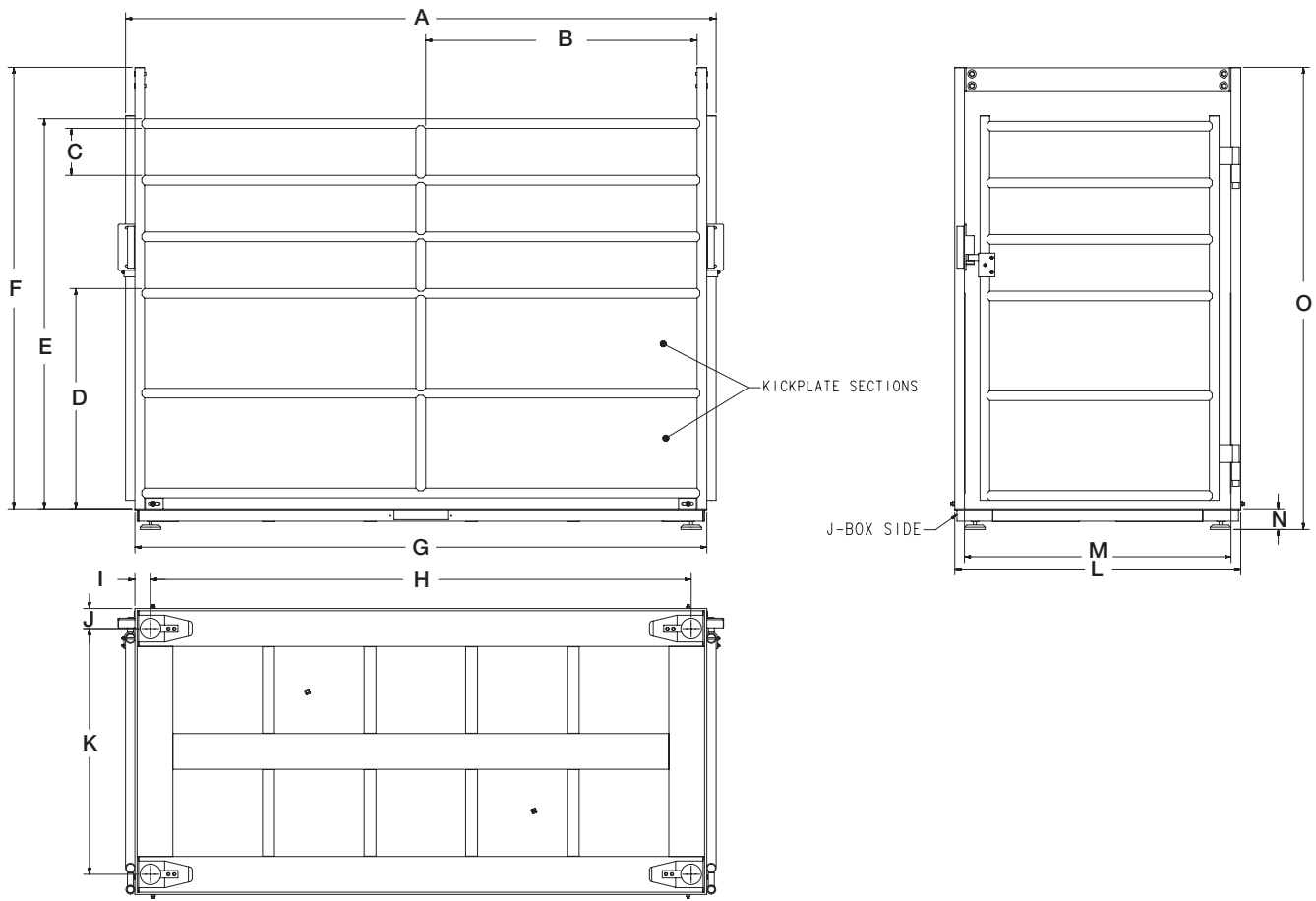
Part Number/Price

Part #	Capacity	Outside Dimensions	Est. Weight	Price
103617	4,000 lb, 20 ft without Quick Connect, modified to fit gate and rack (scale platform only)	8 × 3 ft	565 lb	\$3,500.00
78452	4,000 lb, 20 ft without Quick Connect (gate and rack not included) (scale platform only)	8 × 3 ft	565 lb	\$3,500.00
103619	4,000 lb, 20 ft without Quick Connect, modified to fit gate and rack (scale platform only)	8 × 4 ft	750 lb	\$3,600.00
78453	4,000 lb, 20 ft without Quick Connect (gate and rack not included) (scale platform only)	8 × 4 ft	750 lb	\$3,600.00
RoughDeck SLV 4,000 lb Bundle Package (Ships Assembled)				
226205	Scale Pkg, 3 × 8 ft scale, 4,000 lb capacity with racks, swing gates and kick plates, 380 Synergy indicator, factory calibrated prior to shipping with 1 lb increments	8 × 3 ft	1,200 lb	\$6,500.00
226206	Scale Pkg, 3 × 8 ft scale, 4,000 lb capacity with sliding gate, deck, racks, gates, and kick plates, 380 Synergy indicator, factory calibrated prior to shipping with 1 lb increments	8 × 3 ft	1,310 lb	\$9,200.00
226207	Scale Pkg, 4 × 8 ft scale, 4,000 lb capacity with racks, swing gates and kick plates, 380 Synergy indicator, calibrated prior to shipping with 1 lb increments	8 × 4 ft	1,500 lb	\$7,100.00
226209	Scale Pkg, 4 × 8 ft scale, 4,000 lb capacity with sliding gate, deck, racks, gates and kick plates, 380 Synergy factory calibrated prior to shipping with 1 lb increments	8 × 4 ft	1,610 lb	\$9,800.00

Options/Accessories

Part #	Description	Price
Consult	Smooth deck instead of diamond safety tread plate	N/C
Consult	Stainless steel load cells (RL32018S IP66) and hardware	\$120.00 list price add-on
Consult	Stainless steel hermetically sealed load cells (RL32218S-HE IP69K) and hardware	\$440.00 list price add-on
Consult	Angle iron bolted to scale for wood deck provisions (wood to be supplied by customer)	\$225.00
Consult	Rubber mat	Consult
226036	380 universal segmented LCD display, battery powered, Synergy Series with 4-pin quick connect ag scale cable	\$765.00
18777	Floor anchor plates, mild steel (set of 2)	\$38.00
18778	Floor anchor plates, stainless steel (set of 2)	\$50.00

LIVESTOCK SCALES

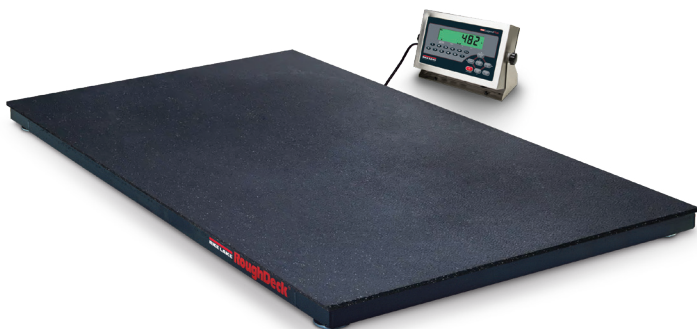


Dimensions

RoughDeck SLV			
3 × 8 ft			
A	99.12 in	I	2.63 in
B	45.56 in	J	3.38 in
C	7.88 in	K	29.25 in
D	36.95 in	L	36.00 in
E	65.45 in	M	32.75 in
F	74.00 in	N	3.50 in
G	95.00 in	O	77.58 in
H	90.75 in		
4 × 8 ft			
A	99.12 in	I	2.63 in
B	45.56 in	J	3.38 in
C	7.88 in	K	41.25 in
D	36.95 in	L	48.00 in
E	65.45 in	M	44.75 in
F	74.00 in	N	3.50 in
G	95.00 in	O	77.58 in
H	90.75 in		

RoughDeck® EQ

Equine Floor Scale and Indicator Package



Standard Features

- Package includes 4 ft × 6 ft × 4.25 in floor scale with stall mat, 20 ft of SURVIVOR EL147HE hostile environment load cell cable and indicator
- Mat thickness 0.75 in

Scale

- Heavy-duty design with structural steel channel frame
- Stall mat to reduce noise and instill equine comfort
- Four adjustable stainless steel SUREFOOT™ support feet
- Powder-coated black matte finish

Indicator

- LCD backlit display for a variety of environments
- Battery backed time and date
- Communication ports for connecting to a variety of peripherals

RoughDeck EQ Specifications

End Load Capacity:

100% full scale at 2,500 lb

Load Cells:

Model RL32018 alloy steel environmentally sealed IP66

Junction Box:

Side access, TuffSeal JB4SS stainless steel, NEMA Type 4X with a signal card

Feet:

Stainless steel SUREFOOT, adjustable (+0.25 in or -0.125 in) for leveling the scale

Finish:

Powder coat painted, black matte

Cable Length:

20 ft (6.1 m) for connecting scale junction box to indicator

Threaded Eyebolt:

One lifting hole located in center of scale for easy install (requires 1/2-20NF eyebolt, not included)

Warranty:

Two-year limited

482 Specifications

Power:

Line voltages: 100 to 240 VAC
Frequency: 50/60 Hz
DC voltages: n/a

Communication Ports:

Com 1: RS-232 full duplex
Com 2: RS-232 full duplex or 20 mA simplex, continuous
Both ports 1200, 2400, 4800, 9600, 19200, 38400 baud seven or eight data bits, even, odd or no parity

Optional Ethernet and USB Board:

USB five-pin header for PC, printer or flash drive
Ethernet TCP/IP, RJ45 jack, server and client ports

Display:

LCD backlit, transmissive/transflective, 0.8 in (20 mm), six-digit, seven-segment

Annunciators:

Gross, net, center of zero, standstill, lb, kg, tare, preset tare

Keys/Buttons:

Flat membrane panel, embossed keys, tactile feel

Rating/Material:

NEMA Type 4X/IP66
Stainless steel

Approvals:

NTEP 12-123
Measurement Canada AM-5892C
CE
cULus

Part Number/Price

Part #	Size (W × L × H)	Capacity	Est. Weight	Price
RoughDeck EQ Floor Scale with 482 Indicator				
207811	4 ft × 6 ft × 4.25 in	2,500 × 0.5 lb	610 lb	\$3,670.00

Note: Height includes stall mat

Options/Accessories

Part #	Description	Price
Consult	Access ramps	+ Consult list price add-on
Consult	Smooth deck instead of diamond safety tread plate	N/C
12839*	50 lb cast iron calibration weights	\$160.00
207812	Guide rail, 5.66 ft long × 4.36 ft high, field installable, black matte finish	+\$295.00 list price add-on
18777	Floor anchor plates	\$38.00
Consult	Hermetically sealed load cells	Consult

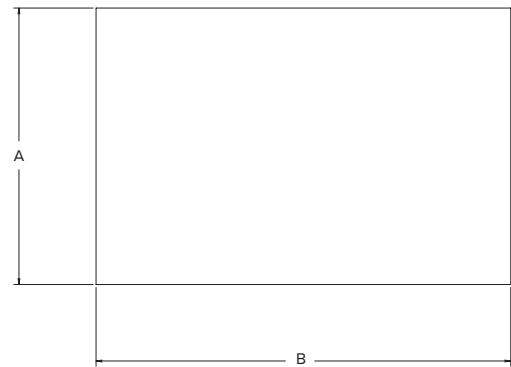
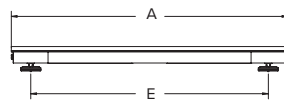
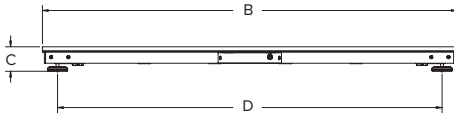
*Quantity of 5 weights is recommended for 10% of capacity.



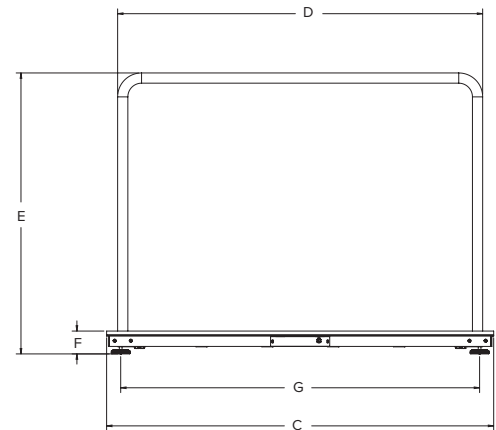
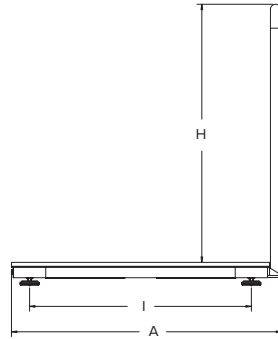
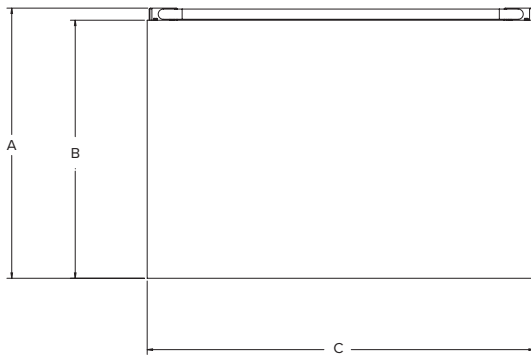
RoughDeck EQ with two optional guide rails installed

Dimensions

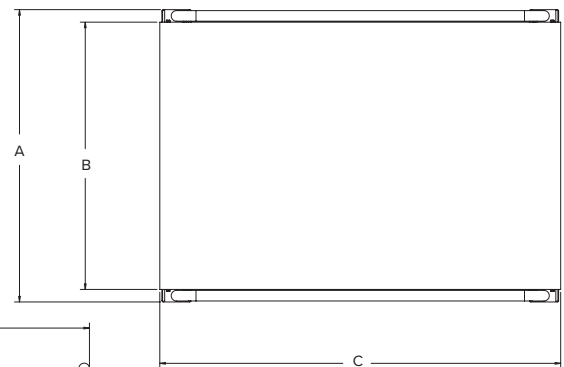
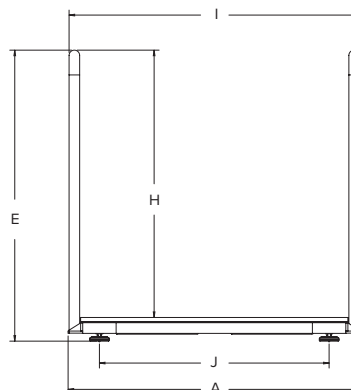
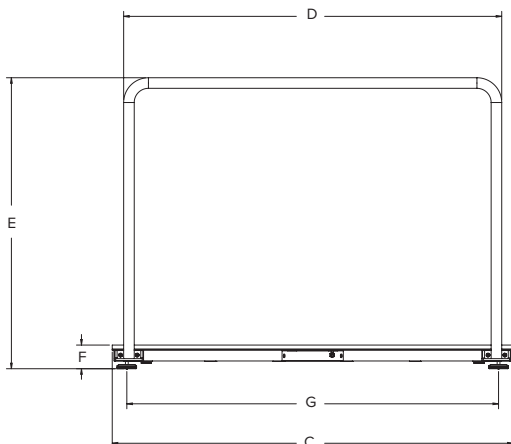
RoughDeck EQ			
4 ft × 6 ft × 4.25 in with No Optional Guide Rail			
A	48.00 in	D	66.76 in
B	72.00 in	E	41.25 in
C	4.25 in		



RoughDeck EQ			
4 ft × 6 ft × 4.25 in with One Optional Guide Rail			
A	50.25 in	F	4.25 in
B	48.00 in	G	66.76 in
C	72.00 in	H	48.00 in
D	67.90 in	I	41.25 in
E	52.26 in		

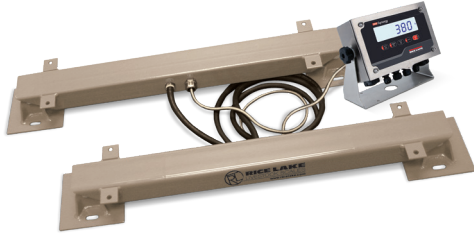


RoughDeck EQ			
4 ft × 6 ft × 4.25 in with Two Optional Guide Rails			
A	50.25 in	F	4.25 in
B	48.00 in	G	66.76 in
C	72.00 in	H	48.00 in
D	67.90 in	I	52.15 in
E	52.26 in	J	41.25 in



Farm Bars

With 380 Indicator



Standard Features

- Indicator cable length 12 ft
- 3 ft ArmorGuard cable included
- Kit includes 380 Synergy Series digital weight indicator powered by four C-cell batteries (not included)
- Factory calibrated when sold with instrumentation
- Capacities from 2,500 to 10,000 lb
- Non-Legal for Trade

Specifications

Safe Overload:

150%

Full Scale Output:

3 mV/V nominal

Output is standardized for each model of load bar, consult factory for details

Maximum Excitation:

15 VDC

Nonlinearity:

0.02% full scale

Hysteresis:

0.02% full scale

Bridge Resistance:

350 ohm

Temperature:

-40 °F to 111 °F (-40 °C to 44 °C)

Cable Configuration:

8 ft between bars and 12 ft for the indicator

Warranty:

Two-year limited

380 Specifications

Power:

Batteries: Four alkaline C-cell (not included)

Optional: 115/230 VAC to 12 VDC adapter

Battery Life:

100 hours with 1 × 350 ohm load cell, no backlight

Communication Ports:

One RS-232 (three-wire)

One USB 2.0

Annunciators:

g, lb, t, tn, kg, oz, battery level, PT, LT, gross, zero, unstable, net

Display:

Six 1 in (25 mm) tall, LCD digits

Keys/Buttons:

5 tactile buttons

Rating/Material:

IP66

Stainless steel

Approvals:

NTEP 21-051

Measurement Canada AM-6184

CE

cULus

Part Number/Price

Part #	Description	Est. Weight	Price
With 380 Indicator			
2,500 lb Capacity			
214517	2,500U 22 – Farm Bar Kit, 22 in with 380, 2,500 capacity, square pads	98 lb	\$3,600.00
5,000 lb Capacity			
214518	5,000U 26 – Farm Bar Kit, 26 in with 380, 5,000 capacity, square pads	117 lb	\$4,100.00
214519	5,000U 33 – Farm Bar Kit, 33 in with 380, 5,000 capacity, square pads	123 lb	\$4,100.00
214520	5,000U 36 – Farm Bar Kit, 36 in with 380, 5,000 capacity, square pads	128 lb	\$4,100.00
214521	5,000U 40 – Farm Bar Kit, 40 in with 380, 5,000 capacity, square pads	134 lb	\$4,100.00
214522	5,000U 44 – Farm Bar Kit, 44 in with 380, 5,000 capacity, square pads	140 lb	\$4,100.00
214523	5,000U 48 – Farm Bar Kit, 48 in with 380, 5,000 capacity, square pads	146 lb	\$3,800.00
10,000 lb Capacity			
214524	10,000U 32 – Farm Bar Kit, 32 in with 380, 10,000 capacity, square pads	152 lb	\$5,100.00
214525	10,000U 36 – Farm Bar Kit, 36 in with 380, 10,000 capacity, square pads	152 lb	\$5,100.00
214526	10,000U 48 – Farm Bar Kit, 48 in with 380, 10,000 capacity, square pads	175 lb	\$5,100.00
214527	10,000U 60 – Farm Bar Kit, 60 in with 380, 10,000 capacity, square pads	210 lb	\$5,100.00
214528	10,000U 72 – Farm Bar Kit, 72 in with 380, 10,000 capacity, square pads	230 lb	\$5,100.00

Options/Accessories

Part #	Description	Price
159788	Extension cable, farm bar, 10 ft long	\$260.00
127556	Home run cable, 12 ft long, 4-pin male to blunt end, for indicator	\$120.00
202711	380 Universal Segmented LCD Display, Battery Powered	\$685.00
206433	Power supply, 12 V 6 W	\$54.00
23113	Printer TM-U295	\$685.00
71630	Scale tickets, 500/pack	\$60.00
15547	Blunt end to DB25, RS-232 cable for printer to indicator	\$70.00

Farm Bars

Without Instrumentation



Standard Features

- 3 ft ArmorGuard cable included
- Capacities from 2,500 to 10,000 lb
- Non-Legal for Trade

Specifications

Safe Overload:

150%

Full Scale Output:

3 mv/V nominal

Output is standardized for each model of load bar, consult factory for details

Maximum Excitation:

15 VDC

Nonlinearity:

0.02% full scale

Hysteresis:

0.02% full scale

Bridge Resistance:

350 ohm

Temperature:

-40 °F to 111 °F (-40 °C to 44 °C)

Cable Configuration:

8 ft between bars and 12 ft for the indicator

Warranty:

Two-year limited

Part Number/Price

Part #	Description	Est. Weight	Price
2,500 lb Capacity			
152016	2,500 lb 22 – Farm Bar set, with square pads	92 lb	\$3,300.00
5,000 lb Capacity			
152018	5,000 lb 26 – Farm Bar set, with square pads	111 lb	\$3,700.00
152019	5,000 lb 33 – Farm Bar set, with square pads	117 lb	\$3,700.00
152020	5,000 lb 36 – Farm Bar set, with square pads	122 lb	\$3,700.00
152021	5,000 lb 40 – Farm Bar set, with square pads	128 lb	\$3,700.00
152022	5,000 lb 44 – Farm Bar set, with square pads	134 lb	\$3,700.00
152023	5,000 lb 48 – Farm Bar set, with square pads	140 lb	\$3,700.00
10,000 lb Capacity			
185437	10,000 lb 32 – Farm Bar set, with square pads	146 lb	\$4,600.00
152024	10,000 lb 36 – Farm Bar set, with square pads	146 lb	\$4,600.00
152025	10,000 lb 48 – Farm Bar set, with square pads	169 lb	\$4,600.00
152026	10,000 lb 60 – Farm Bar set, with square pads	204 lb	\$4,600.00
152027	10,000 lb 72 – Farm Bar set, with square pads	224 lb	\$4,600.00

Options/Accessories

Part #	Description	Price
159788	Extension cable, farm bar, 10 ft long	\$260.00
127556	Home run cable, 12 ft long, 4-pin male to blunt end, for indicator	\$120.00
202711	380 Universal Segmented LCD Display, Battery Powered	\$685.00
23113	Printer TM-U295	\$685.00
71630	Scale tickets, 500/pack	\$60.00
15547	Blunt end to DB25, RS-232 cable for printer to indicator	\$70.00
206433	Power supply, 12 V 6 W	\$54.00

Farm Bars

Dimensions

Dimensions

Farm Bar 2,500U				
A	B*	C	D*	E
22.00 in	15.00 in	19.75 in	25.75 in	4.00 in

Farm Bar 5,000U				
A	B*	C	D*	E
26.00 in	19.00 in	23.75 in	29.75 in	4.00 in
33.00 in	26.00 in	30.75 in	36.75 in	4.00 in
36.00 in	29.00 in	33.75 in	39.75 in	4.00 in
40.00 in	33.00 in	37.75 in	43.75 in	4.00 in
44.00 in	37.00 in	41.75 in	47.75 in	4.00 in
48.00 in	41.00 in	45.75 in	51.75 in	4.00 in

Farm Bar 10,000U				
A	B*	C	D*	E
32.00 in	25.00 in	29.75 in	35.75 in	4.00 in
36.00 in	29.00 in	33.75 in	39.75 in	4.00 in
48.00 in	41.00 in	45.75 in	51.75 in	4.00 in
60.00 in	53.00 in	57.75 in	63.75 in	4.00 in
72.00 in	65.00 in	69.75 in	75.75 in	4.00 in

* B equals dimension A less 7 inches
* D equals dimension C plus 6 inches

