

RICE LAKE WEIGHING

Pipe Lever Scales

Rice Lake Weighing

Pipe Lever Scale Type I, 25K/30K



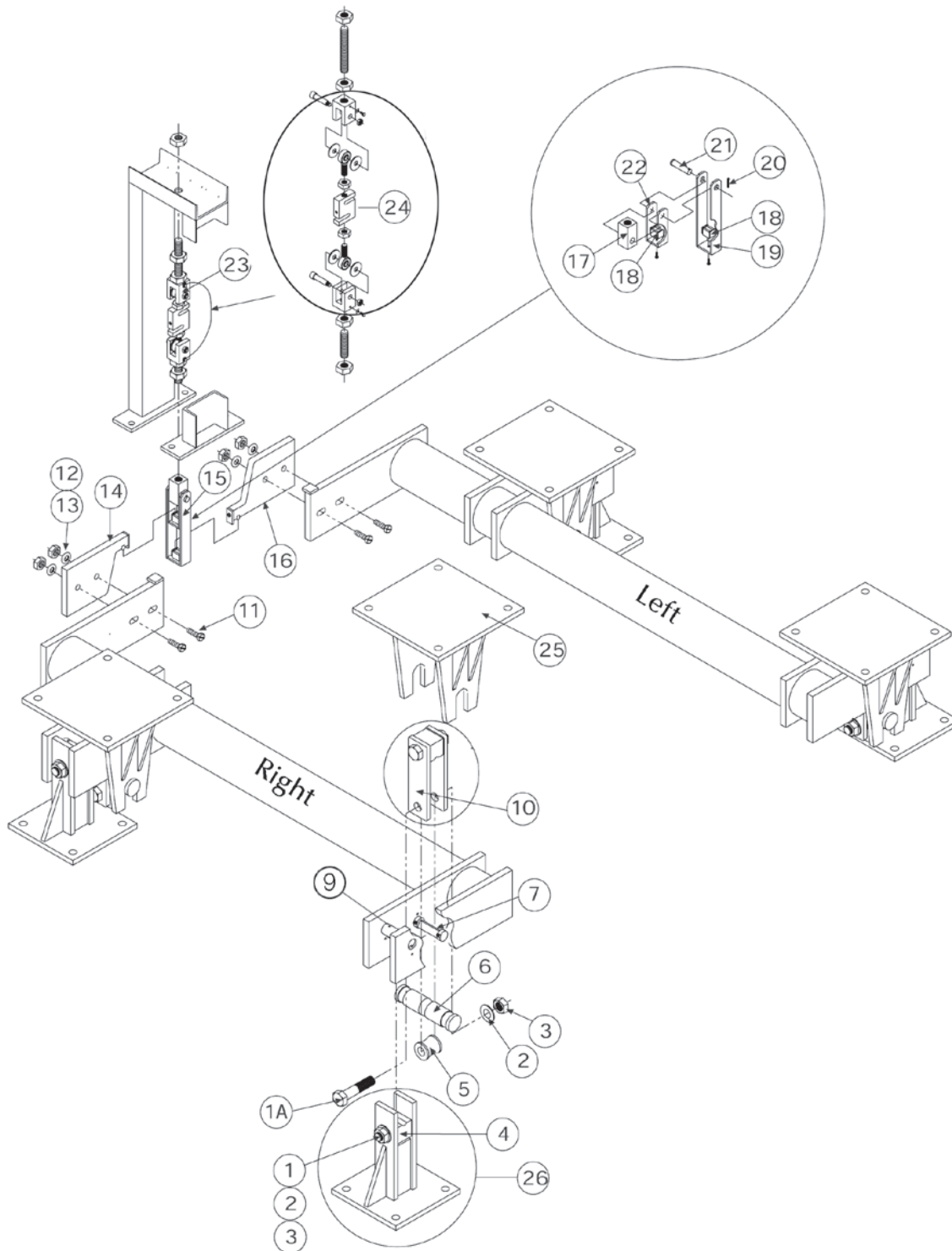
RICE LAKE WEIGHING

| REF# | PN | DESCRIPTION | PRICE |
|--|-----------|--|---------|
| 1 | 40174 | Bolt | Consult |
| 2 | 15179 | Washer..... | Consult |
| 3 | 14697 | Lock nut..... | Consult |
| 4 | 39990 | Bearing..... | Consult |
| 5 | 39991 | Spool | Consult |
| 6 | 39993 | Trunnion Pin | Consult |
| 7 | 0525-0056 | Pivot..... | Consult |
| 8 | 39988 | Loop assembly..... | Consult |
| 9 | 39101 | Drive screw | Consult |
| 10 | 39989 | Loop side plate | Consult |
| 11 | 26344 | Cap screw..... | Consult |
| 12 | 15177 | Washer..... | Consult |
| 13 | 40181 | Lock nut | Consult |
| 14 | 39975 | Nose iron assembly, right | Consult |
| 15 | 39969 | Shackle assembly, nose iron connection..... | Consult |
| 16 | 39972 | Nose iron assembly, left..... | Consult |
| 17 | 39963 | Shackle support block, center connection | Consult |
| 18 | CM764 | Bearing with friction plates | Consult |
| 19 | 39971 | Large shackle loop, center connection..... | Consult |
| 20 | 15244 | Cotter pin | Consult |
| 21 | 22102 | Clevis pin..... | Consult |
| 22 | 39970 | Small shackle loop, center connection..... | Consult |
| 23 | 17899 | ITCM mount, mild steel without load cell..... | Consult |
| 24 | 21443 | Load cell, RL20000 - 5k | Consult |
| 25 | *39978 | Girder chair | Consult |
| 26 | *39982 | Fulcrum stand assembly | Consult |
| * The standard PN is shown; however, this part can be customized. Please specify any customized parts when ordering replacements. | | | |
| 28 | 39964 | Load cell stand..... | Consult |
| 29 | 39962 | Rod upper..... | Consult |
| 30 | 39961 | Rod lower..... | Consult |
| 31 | 126994 | 3/4-10 NC nut..... | Consult |
| 32 | 14686 | 3/4-10 NC jam nut..... | Consult |
| 25,000 | | | |
| | 40378 | 4 x 4..... | Consult |
| | 40379 | 5 x 5..... | Consult |
| | 40380 | 6 x 6..... | Consult |
| | 40381 | 7 x 7..... | Consult |
| | 40382 | 8 x 8..... | Consult |
| | 40383 | 9 x 9..... | Consult |
| | 40384 | 10 x 10..... | Consult |
| 30,000 | | | |
| | 39935 | 5 x 5..... | Consult |
| | 39936 | 6 x 6..... | Consult |
| | 39937 | 7 x 7..... | Consult |
| | 39938 | 8 x 8..... | Consult |
| | 39939 | 9 x 9..... | Consult |
| | 39940 | 10 x 10..... | Consult |

(See Diagram Pipe Lever Scale Type I)

Rice Lake Weighing

Pipe Lever Scale Type I, 25K/30K



Pipe Lever Scale Type I

RICE LAKE WEIGHING

Rice Lake Weighing

Pipe Lever Scale Type I, 40K/50K



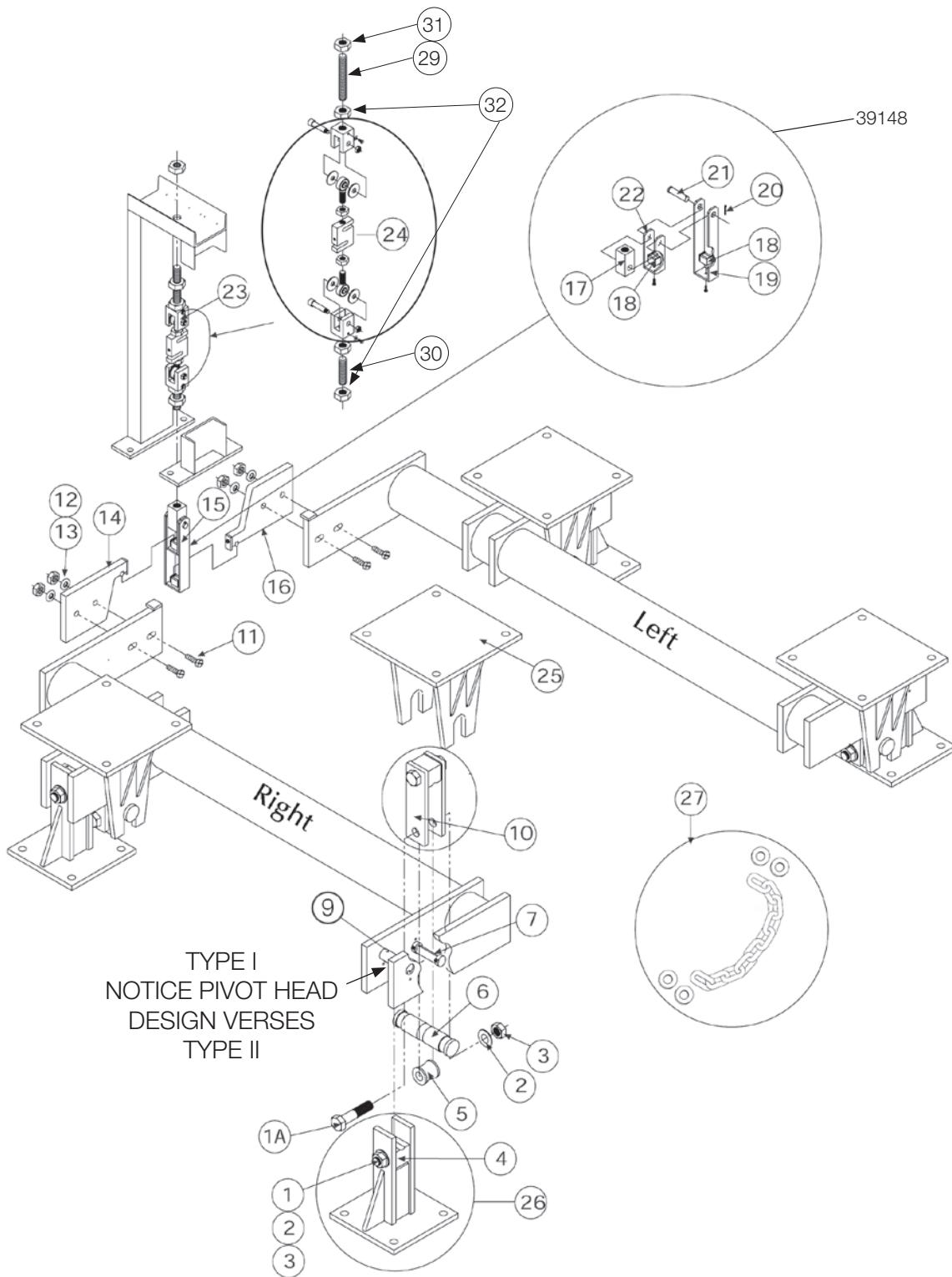
RICE LAKE WEIGHING

| REF# | PN | DESCRIPTION | PRICE |
|--|-----------|--|---------|
| 1 | 39164 | Bolt | Consult |
| 2 | 15190 | Washer..... | Consult |
| 3 | 22457 | Lock nut..... | Consult |
| 4 | 39134 | Bearing..... | Consult |
| 5 | 39135 | Spool | Consult |
| 6 | 39131 | Trunnion Pin | Consult |
| 7 | 0525-0070 | Pivot..... | Consult |
| 8 | 39133 | Loop assembly..... | Consult |
| 9 | 39101 | Drive screw | Consult |
| 10 | 39132 | Loop side plate | Consult |
| 11 | 15097 | Cap screw..... | Consult |
| 12 | 15179 | Washer..... | Consult |
| 13 | 14697 | Lock nut | Consult |
| 14 | 39119 | Nose iron assembly, right | Consult |
| 15 | 39148 | Shackle assembly, nose iron connection..... | Consult |
| 16 | 39116 | Nose iron assembly, left..... | Consult |
| 17 | 39143 | Shackle support block, center connection | Consult |
| 18 | 39146 | Bearing with friction plates | Consult |
| 19 | 39144 | Large shackle loop, center connection..... | Consult |
| 20 | 39186 | Cotter pin..... | Consult |
| 21 | 39185 | Clevis pin..... | Consult |
| 22 | 39145 | Small shackle loop, center connection | Consult |
| 23 | 17900 | ITCM mount, mild steel without load cell..... | Consult |
| 24 | 21444 | Load cell, RL20000 - 10,000lb | Consult |
| 25 | *39136 | Girder chair | Consult |
| 26 | 39128 | Fulcrum stand assembly | Consult |
| * The standard PN is shown; however, this part can be customized. Please specify any customized parts when ordering replacements. | | | |
| Components of PN 42499 | | | |
| 27 | 42500 | Hold-down chain option..... | Consult |
| Components of PN 42500 | | | |
| | 22138 | Washer, plain 1 Type A | Consult |
| | 42098 | Chain, 3/4 Grade 40 | Consult |
| 28 | 39140 | Load cell stand, SST | Consult |
| 29 | 39142 | Rod upper, SST | Consult |
| 30 | 39141 | Rod lower..... | Consult |
| 31 | 90860 | 1-8 NC nut..... | Consult |
| 32 | 14701 | 1-8 NC jam nut | Consult |
| 40,000 | | | |
| | 39152 | 5 x 5..... | Consult |
| | 39153 | 6 x 6..... | Consult |
| | 39154 | 7 x 7..... | Consult |
| | 39155 | 8 x 8..... | Consult |
| | 39156 | 9 x 9..... | Consult |
| | 39157 | 10 x 10..... | Consult |
| 50,000 | | | |
| | 39158 | 5 x 5..... | Consult |
| | 39159 | 6 x 6..... | Consult |
| | 39160 | 7 x 7..... | Consult |
| | 39161 | 8 x 8..... | Consult |
| | 39162 | 9 x 9..... | Consult |
| | 39163 | 10 x 10..... | Consult |

(See Diagram Pipe Lever Scale Type I)

Rice Lake Weighing

Pipe Lever Scale Type I, 40K/50K



Pipe Lever Scale Type I

RICE LAKE WEIGHING

Rice Lake Weighing

Pipe Lever Scale Type II 25K, Mild Steel

MILD STEEL SCALE PN, SIZE (INCHES) AND COMPONENT PN

| MODEL # | PLS25-3 | PLS25-1 | PLS25-2 | PLS25-4 | PLS25-5 | PLS25-6 | PLS7272-25 |
|------------|---------------|------------|------------|---------|---------|----------|------------|
| PN | 29587 | 29586 | 29588 | 29589 | 35008 | 35009 | 40409 |
| DIMENSIONS | 625/8 x 625/8 | 601/2 x 66 | 661/2 x 91 | 64 x 64 | 62 x 92 | 62 x 105 | 72 x 72 |

| REF# | DESCRIPTION | QTY | | | | | | | |
|------|-------------------------------------|-----|---------|---------|---------|---------|---------|---------|---------|
| 1 | Main pipe lever, right | 1 | 35005 | 35001 | 35003 | 35007 | 35011 | 35013 | 40473 |
| 2 | Main pipe lever, left | 1 | 35004 | 35000 | 35002 | 35006 | 35010 | 35012 | 40472 |
| 3 | Girder chair | 4 | 35045 | 35058 | 35045 | 35051 | 35051 | 35051 | 40478 |
| 4* | Bearing | 8 | CM755 | CM755 | CM755 | CM755 | CM755 | CM755 | CM755 |
| 5 | Pin, trunnion | 4 | CM773 | CM773 | CM773 | CM773 | CM773 | CM773 | CM773 |
| 6* | Pin, cotter | 16 | 15232 | 15232 | 15232 | 15232 | 15232 | 15232 | 15232 |
| 7* | Pin, clevis | 8 | 15295 | 15295 | 15295 | 15295 | 15295 | 15295 | 15295 |
| 8* | Bolt, hex | 8 | 14739 | 14739 | 14739 | 14739 | 14739 | 14739 | 14739 |
| 9* | Washer, plain STD | 8 | 21938 | 21938 | 21938 | 21938 | 21938 | 21938 | 21938 |
| 10* | Side plate, loop | 8 | CM729-1 | CM729-1 | CM729-1 | CM729-1 | CM729-1 | CM729-1 | CM729-1 |
| 11* | Spool | 4 | CM729-2 | CM729-2 | CM729-2 | CM729-2 | CM729-2 | CM729-2 | CM729-2 |
| 12 | Pivot | 8 | 65351 | 65351 | 65351 | 65351 | 65351 | 65351 | 65351 |
| 13 | Fulcrum stand, assembly, clevis pin | 4 | 35055 | 35055 | 35055 | 35054 | 35054 | 35054 | 40483 |
| 16 | Nose iron, left | 1 | 35049 | 35049 | 35049 | N107 | N107 | N107 | 40469 |
| 17 | Nose iron, right | 1 | 35048 | 35048 | 35048 | N106 | N106 | N106 | 40468 |
| 18 | Pivot | 2 | CM761P | CM761P | CM761P | CM761P | CM761P | CM761P | CM761P |
| 19 | Screw cap | 4 | 22096 | 22096 | 22096 | 22096 | 22096 | 22096 | 22096 |
| 20 | Washer plain | 4 | 15173 | 15173 | 15173 | 15173 | 15173 | 15173 | 15173 |
| 21 | Nut, flexloc | 4 | 22076 | 22076 | 22076 | 22076 | 22076 | 22076 | 22076 |
| 22 | Shackle loop, large | 1 | CM791-1 | CM791-1 | CM791-1 | CM791-1 | CM791-1 | CM791-1 | CM791-1 |
| 23 | Shackle support block | 1 | N109 | N109 | N109 | N109 | N109 | N109 | N109 |
| 24 | Shackle loop, small | 1 | CM791-2 | CM791-2 | CM791-2 | CM791-2 | CM791-2 | CM791-2 | CM791-2 |
| 25 | Bearing assembly | 2 | CM764 | CM764 | CM764 | CM764 | CM764 | CM764 | CM764 |
| 26 | Pin, clevis | 1 | 22102 | 22102 | 22102 | 22102 | 22102 | 22102 | 22102 |
| 27 | Pin, cotter | 1 | 15244 | 15244 | 15244 | 15244 | 15244 | 15244 | 15244 |
| 28 | Screw, machine | 2 | 22005 | 22005 | 22005 | 22005 | 22005 | 22005 | 22005 |
| 29 | Load cell, SBM RL 20000 - 3k | 1 | 21442 | 21442 | 21442 | 21442 | 21442 | 21442 | 21442 |
| 30 | Ground strap | 1 | 17779 | 17779 | 17779 | 17779 | 17779 | 17779 | 17779 |
| 31 | Rod end | 2 | 17740 | 17740 | 17740 | 17740 | 17740 | 17740 | 17740 |
| 32 | Clevis assembly | 2 | 17788 | 17788 | 17788 | 17788 | 17788 | 17788 | 17788 |
| 33 | Shackle support rod | 1 | 35084 | 35084 | 35084 | N111 | N111 | N111 | 40471 |
| 34 | Nut, jam | 3 | 14676 | 14676 | 14676 | 14676 | 14676 | 14676 | 14676 |
| 35 | Adapter, threaded | 1 | 33571 | 33571 | 33571 | 33571 | 33571 | 33571 | 33571 |
| 36 | Load cell support stand | 1 | 35036 | 35036 | 35036 | 35059 | 35059 | 35059 | 40475 |

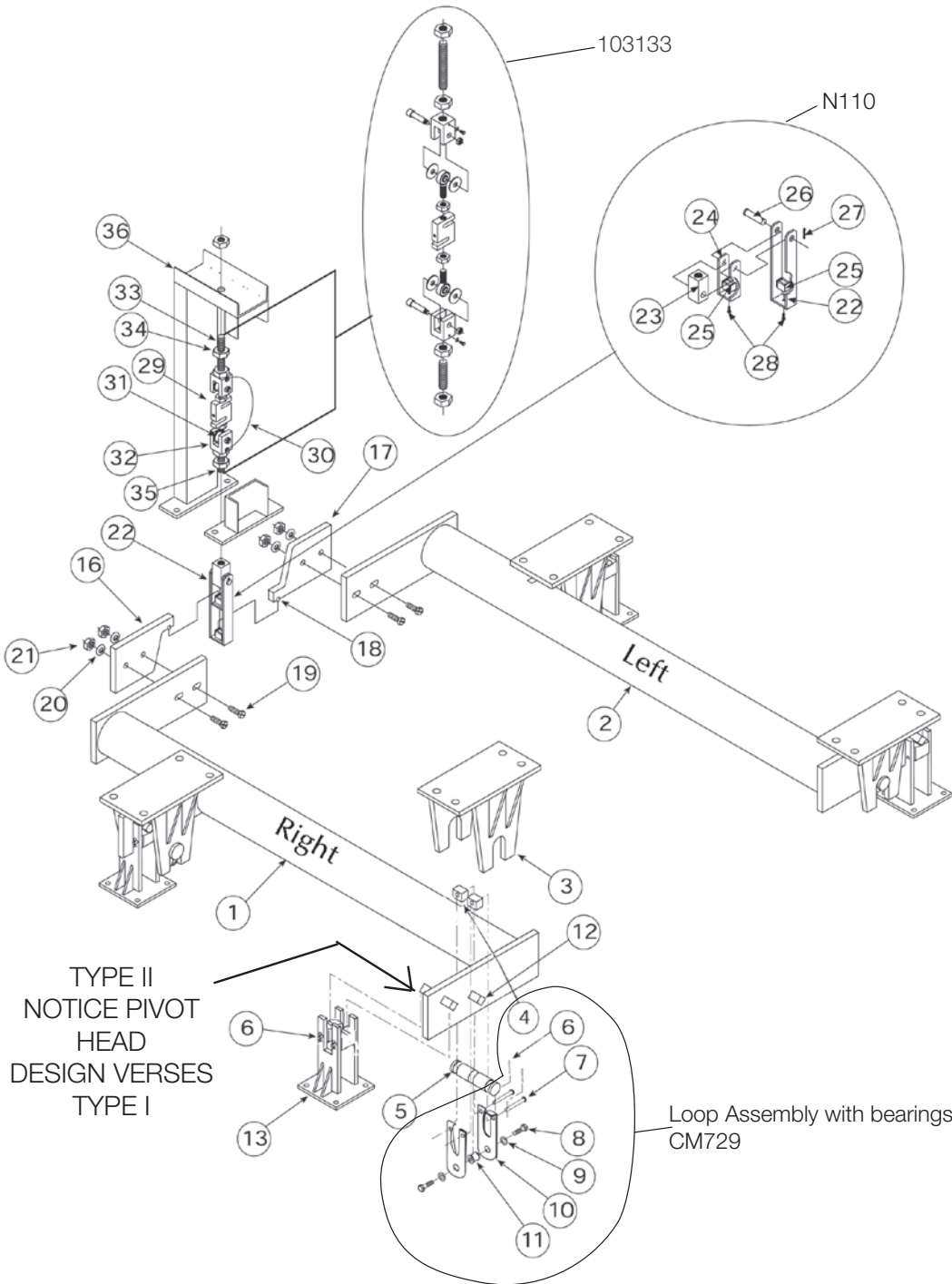
* CM729 with bearings

(See Diagram Lever Scale Type II-Mild Steel)

RICE LAKE WEIGHING

Rice Lake Weighing

Pipe Lever Scale Type II 25K, Mild Steel



Lever Scale Type II
Mild Steel

RICE LAKE WEIGHING

Rice Lake Weighing

Pipe Lever Scale Type II 25K, Stainless Steel

STAINLESS STEEL SCALE PN, SIZE (INCHES) AND COMPONENT PN

| MODEL # | PLS25-3SST | PLS25-1SST | PLS25-2SST | PLS25-4SST | PLS25-5SST | PLS25-6SST |
|------------|---------------|-------------|-------------|------------|------------|------------|
| PN | 46264 | 46265 | 98196 | 50172 | 50173 | 50174 |
| DIMENSIONS | 625/8 x 625/8 | 60 1/2 x 66 | 66 1/2 x 91 | 64 x 64 | 62 x 92 | 62 x 105 |

| REF# | DESCRIPTION | QTY | | | | | | |
|------|--------------------------|-----|-------|-------|-------|-------|-------|-------|
| 1 | Main pipe lever, right | 1 | 46268 | 46270 | 46272 | 50198 | 50195 | 50197 |
| 2 | Main pipe lever, left | 1 | 46267 | 46269 | 46271 | 50175 | 50194 | 50193 |
| 3 | Girder chair | 4 | 98433 | 98433 | 98433 | 50178 | 50178 | 50178 |
| 4* | Bearing | 8 | 46323 | 46323 | 46323 | 46323 | 46323 | 46323 |
| 5 | Pin, trunnion | 4 | 46302 | 46302 | 46302 | 46302 | 46302 | 46302 |
| 6* | Pin, cotter | 16 | 15233 | 15233 | 15233 | 15233 | 15233 | 15233 |
| 7* | Pin, clevis | 8 | 47992 | 47992 | 47992 | 47992 | 47992 | 47992 |
| 8* | Screw cap | 8 | 21949 | 21949 | 21949 | 21949 | 21949 | 21949 |
| 9* | Washer plain STD | 8 | 15161 | 15161 | 15161 | 15161 | 15161 | 15161 |
| 10* | Side plate, loop | 8 | 46300 | 46300 | 46300 | 46300 | 46300 | 46300 |
| 11* | Spool | 4 | 46301 | 46301 | 46301 | 46301 | 46301 | 46301 |
| 12** | Pivot | 8 | 65351 | 65351 | 65351 | 65351 | 65351 | 65351 |
| 13 | Fulcrum stand, assembly | 4 | 98437 | 98437 | 98437 | 50182 | 50182 | 50182 |
| 16 | Nose iron, left | 1 | 46303 | 46303 | 46303 | 46303 | 46303 | 46303 |
| 17 | Nose iron, right | 1 | 46304 | 46304 | 46304 | 46304 | 46304 | 46304 |
| 18 | Pivot | 2 | 46307 | 46307 | 46307 | 46307 | 46307 | 46307 |
| 19 | Screw cap | 4 | 38210 | 38210 | 38210 | 38210 | 38210 | 38210 |
| 20 | Washer plain | 4 | 15175 | 15175 | 15175 | 15175 | 15175 | 15175 |
| 21 | Nut, lock | 4 | 14666 | 14666 | 14666 | 14666 | 14666 | 14666 |
| 22 | Shackle loop, large | 1 | 46289 | 46289 | 46289 | 46289 | 46289 | 46289 |
| 23 | Shackle support block | 1 | 46295 | 46295 | 46295 | 46295 | 46295 | 46295 |
| 24 | Shackle loop, small | 1 | 46292 | 46292 | 46292 | 46292 | 46292 | 46292 |
| 25 | Bearing assembly | 2 | 46296 | 46296 | 46296 | 46296 | 46296 | 46296 |
| 26 | Pin, clevis | 1 | 47994 | 47994 | 47994 | 47994 | 47994 | 47994 |
| 27 | Pin, cotter | 1 | 47993 | 47993 | 47993 | 47993 | 47993 | 47993 |
| 28 | Screw, machine | 2 | 47995 | 47995 | 47995 | 47995 | 47995 | 47995 |
| 29 | Load cell, RL 20000 - 3k | 1 | 21442 | 21442 | 21442 | 21442 | 21442 | 21442 |
| 30 | Ground strap | 1 | 17779 | 17779 | 17779 | 17779 | 17779 | 17779 |
| 31 | Rod end | 2 | 33507 | 33507 | 33507 | 33507 | 33507 | 33507 |
| 32 | Clevis assembly | 2 | 33639 | 33639 | 33639 | 33639 | 33639 | 33639 |
| 33 | Shackle support rod | 1 | 46324 | 46324 | 46324 | 46324 | 46324 | 46324 |
| 34 | Nut, jam | 3 | 14680 | 14680 | 14680 | 14680 | 14680 | 14680 |
| 35 | Adapter, threaded | 1 | 33571 | 33571 | 33571 | 33571 | 33571 | 33571 |
| 36 | Load cell stand | 1 | 98204 | 98204 | 98204 | 98204 | 98204 | 98204 |

* 46299 with bearings

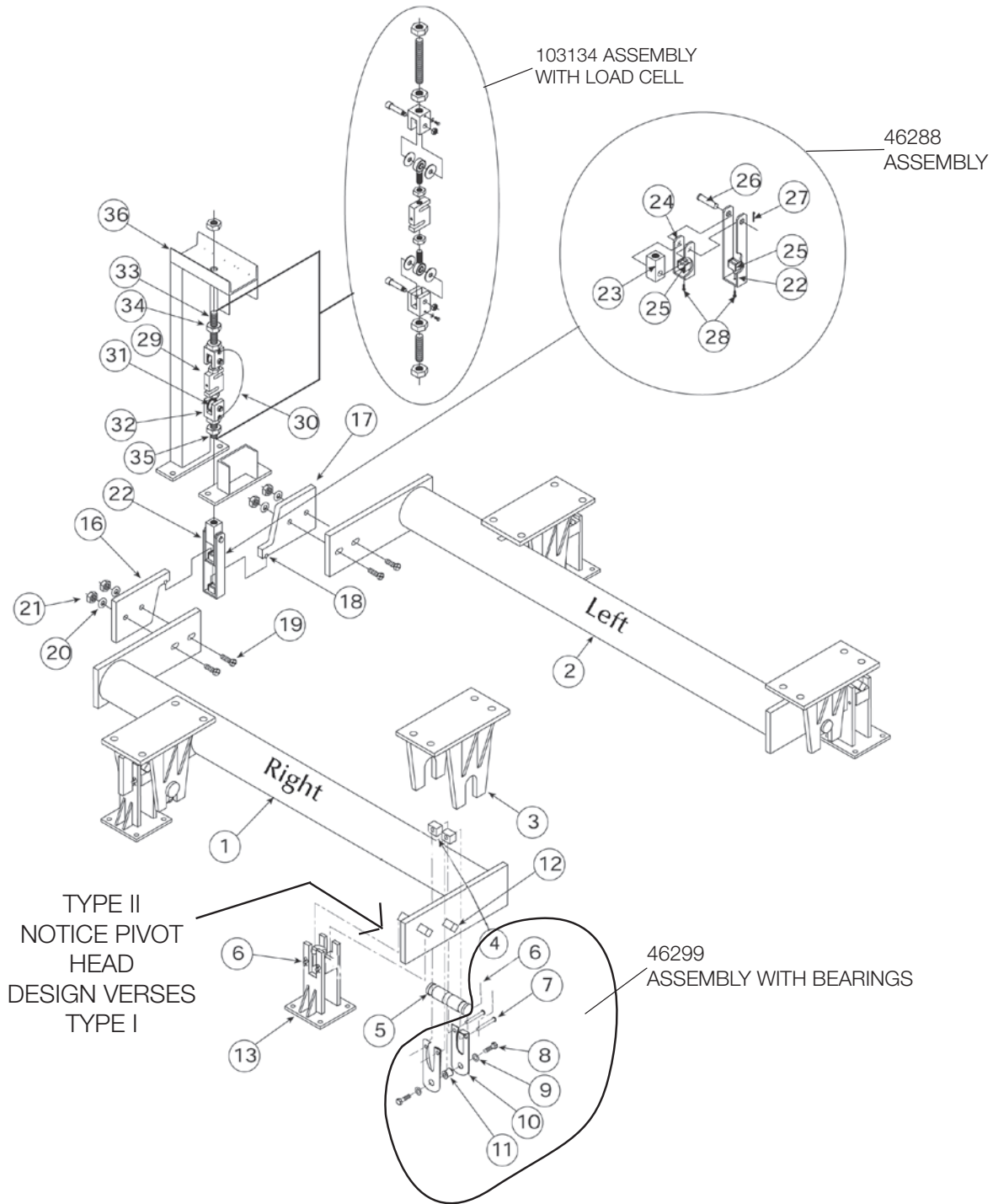
** Old SST scales used a round pivot, 46285 and wedge 46286

(See Diagram Lever Scale Type II-Stainless Steel)

RICE LAKE WEIGHING

Rice Lake Weighing

Pipe Lever Scale Type II 25K, Stainless Steel



Lever Scale Type II
Stainless Steel

RICE LAKE WEIGHING

Rice Lake Weighing

Chairs/Stands/Trunnions and Bearings

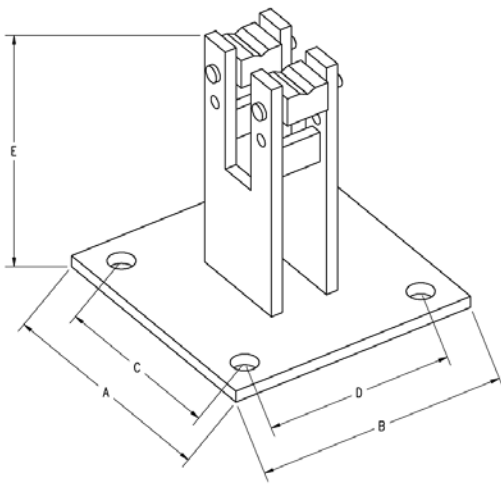
| PN | DESCRIPTION | PRICE |
|-------|--------------------------------------|---------|
| CM755 | Bearing, 1-3/8 x 15/16..... | Consult |
| CM773 | Trunnion | Consult |
| CM783 | Fulcrum stand | Consult |
| F731 | Bearing..... | Consult |
| 35045 | Girder chair, 6 1/2 x 10..... | Consult |
| 35051 | Girder chair, 7 3/4 x 7 3/4 | Consult |
| 35054 | Stand, fulcrum 7 3/4 x 7 3/4 | Consult |
| 35055 | Stand, fulcrum 6 x 6 base | Consult |
| 35058 | Girder chair, 6 x 7 3/4 base | Consult |
| 39128 | Fulcrum stand assembly, 40K | Consult |
| 39131 | Pin, trunnion 2 3/8 diameter..... | Consult |
| 39134 | Bearing, 2 5/8 x 2 5/8 x 3 1/4 | Consult |
| 39136 | Girder chair, 40k and 50k..... | Consult |
| 39523 | Pin, trunnion 7/8 diameter..... | Consult |
| 39524 | Fulcrum stand assembly, 5k..... | Consult |
| 39529 | Girder chair, 5k pipe | Consult |
| 39978 | Girder chair, 20k and 25k..... | Consult |
| 39982 | Fulcrum stand assembly, 20k..... | Consult |
| 39990 | Bearing, 1 3/4 x 2 x 2 1/2 | Consult |
| 39993 | Pin, trunnion 1 5/8 diameter..... | Consult |
| 40449 | Girder chair, 10k pipe | Consult |
| 40452 | Fulcrum stand assembly, 10k..... | Consult |
| 40460 | Bearing 1 3/16 x 1 1/4 | Consult |
| 40461 | Pin, trunnion 1 1/8 diameter..... | Consult |
| 40478 | Girder chair, 8 x 8 base | Consult |
| 46302 | Pin, trunnion 1 1/4 diameter..... | Consult |
| 46308 | Girder chair, 25k SST pipe | Consult |
| 98437 | Fulcrum stand assembly, 25k..... | Consult |
| 50178 | Girder chair, 7 3/4 x 7 3/4 | Consult |
| 50182 | Stand, fulcrum 7 3/4 x 7 3/4 | Consult |

Rice Lake Weighing

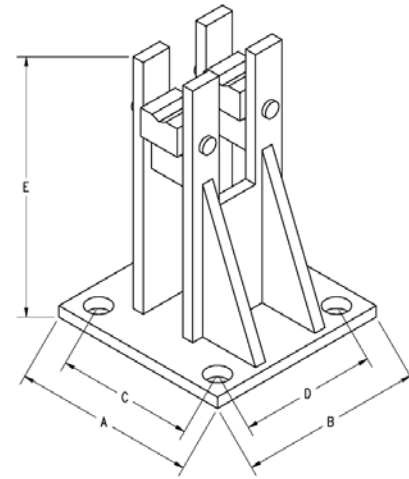
Pipe Lever Stands

| PN | Capacity | Style | Material | A | B | C | D | E | Bearing PN |
|--------|-------------|-------|----------|-------|-------|---------|-------|---------|------------|
| CM783 | 25K | A | Steel | 8 | 8 | 8 1/8 | 6 | 6 | CM755 |
| 35055 | 25K | B | Steel | 6 | 6 | 4 1/2 | 4 1/2 | 8 5/8 | CM755 |
| 98457 | 25K | B | SST | 6 | 6 | 4 1/2 | 4 1/2 | 8 5/8 | 46323 |
| 35054 | 25K | B | Steel | 7 3/4 | 7 3/4 | 4 1/2/6 | 6 | 8 1/8 | CM755 |
| 50040 | 25K | B | Steel | 6 | 7 3/4 | 6 | 4 1/2 | 8 1/8 | CM755 |
| 50182 | 25K | B | SST | 7 3/4 | 7 3/4 | 4 1/2 | 6 | 8 1/8 | 46323 |
| 39524 | 5K | C | Steel | 5 | 5 | 3 1/2 | 3 1/2 | 5 | F731 |
| 40452 | 10K | C | Steel | 6 | 6 | 4 1/2 | 4 1/2 | 6 3/4 | 40460 |
| 39982 | 20K/25K/30K | C | Steel | 9 | 9 | 6 1/2 | 6 1/2 | 11 1/8 | 39990 |
| 39128 | 40K/50K | C | Steel | 12 | 12 | 9 1/4 | 9 1/4 | 14 3/4 | 39134 |
| 101601 | 60K | C | Steel | 12 | 12 | 7 1/2 | 5 | 14 3/4 | 39134 |
| 115797 | 25K/30K | D | Steel | 6 | 6 | - | - | 6 17/32 | CM755 |

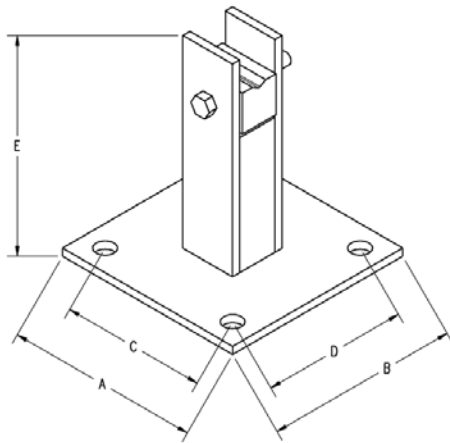
RICE LAKE WEIGHING



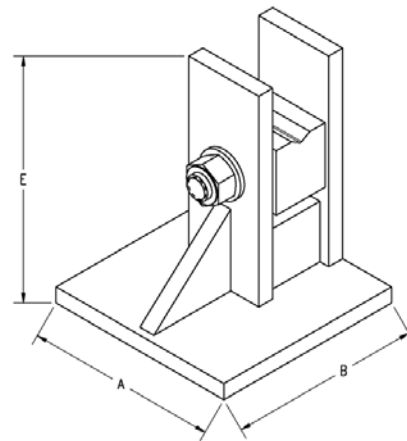
STYLE A



STYLE B



STYLE C

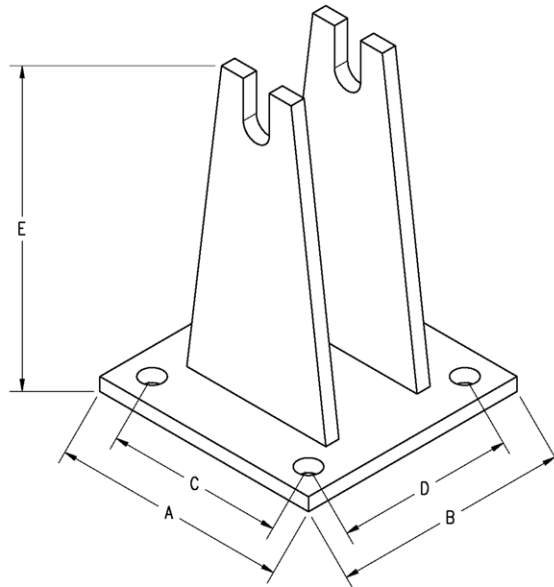


STYLE D

Rice Lake Weighing

Girder Chairs

| PN | Capacity | Material | A | B | C | D | E | Trunnion PN |
|--------|----------|----------|-----------------------------------|-------|-------|-------|--------|-------------|
| CM776 | 25K | Steel | 7 3/4 | 7 3/4 | 4/6 | 6 | 10 1/2 | CM773 |
| 35051 | 25K | Steel | 7 3/4 | 7 3/4 | 4/6 | 6 | 9 1/2 | CM773 |
| 40478 | 25K | Steel | 8 | 8 | 6 | 6 | 9 1/2 | CM773 |
| 50178 | 25K | SST | 7 3/4 | 7 3/4 | 4/6 | 6 | 9 1/2 | 46302 |
| 35045 | 25K | Steel | 10 | 6 1/2 | 7 1/2 | 3 | 9 1/2 | CM773 |
| 98433 | 25K | SST | 10 | 6 1/2 | 7 1/2 | 3 | 9 1/2 | 46302 |
| 35058 | 25K | Steel | 6 | 7 3/4 | - | 5 3/4 | 9 1/2 | CM773 |
| 39529 | 5K | Steel | 7 | 5 1/2 | 5 1/2 | 5 1/2 | 6 1/4 | 39523 |
| 40449 | 10K | Steel | 7 1/2 | 7 1/2 | 6 | 6 | 6 7/8 | 40461 |
| 39978 | 25K/30K | Steel | 12 | 12 | 9 1/2 | 9 1/2 | 11 1/8 | 39993 |
| Sp | 40K | Steel | 12 | 16 | 6 1/2 | 11 | 15 1/8 | 39131 |
| 39136 | 40K/50K | Steel | 16 | 16 | 13 | 13 | 15 1/8 | 39131 |
| 102453 | 40K | Steel | same as 39186 but corners cut off | | | | | 39131 |
| 102454 | 40K | Steel | same as 39186 but corners cut off | | | | | 39131 |



RICE LAKE WEIGHING

Hopper Scale Kits for Type I and II

Pivot and Bearing Kit Type 1

Kit No. 154148

5K Basic Kit

| QTY | RL PN | DESCRIPTION |
|--------|--------------|---------------------------|
| 8..... | T195P | Pivot, load and fulcrum |
| 8..... | F731 | Bearing, load and fulcrum |
| 2..... | CM761P | Pivot, tip |
| 2..... | CM764..... | Bearing, tip |

Consult Suggested list/XX lb shipping weight

Kit No. 154150

5K Kit With Complete Assemblies

| QTY | RL PN | DESCRIPTION |
|--------|-------------|----------------------------|
| 8..... | T195P | Pivot, load and fulcrum |
| 4..... | F731 | Bearing, fulcrum |
| 4..... | 39549 | Loop assembly with bearing |
| 1..... | N110..... | Tip connection |
| 1..... | 35048 | Nose iron, right |
| 1..... | 35049 | Nose iron, left |
| 4..... | 39523 | Trunnion pins |

Consult Suggested list/XX lb shipping weight

Kit No. 154151

10K Basic Kit

| QTY | RL PN | DESCRIPTION |
|--------|-------------|---------------------------|
| 8..... | T197P | Pivot, load and fulcrum |
| 8..... | 40460 | Bearing, load and fulcrum |
| 2..... | CM7618..... | Pivot, tip |
| 2..... | CM764..... | Bearing, tip |

Consult Suggested list/77 lb shipping weight

Pivot and Bearing Kit Type 1

Kit No. 154152

10K Kit With Complete Assemblies

| QTY | RL PN | DESCRIPTION |
|--------|-------------|-----------------------------|
| 8..... | T195P | Pivot, load and fulcrum |
| 4..... | 40460 | Bearing, load and fulcrum |
| 4..... | 40457 | Loop assembly, load |
| 1..... | 35048 | Nose iron, right |
| 1..... | 35049 | Nose iron, left |
| 1..... | N110..... | Shackle assembly, nose iron |
| 4..... | 40461 | Trunnion pins |

Consult suggested list/XX lb shipping weight

Kit No. 154153

25K and 30K Basic Kit

| QTY | RL PN | DESCRIPTION |
|--------|----------------|---------------------------|
| 8..... | 0525-0056..... | Pivot, load and fulcrum |
| 8..... | 39990 | Bearing, load and fulcrum |
| 2..... | CM761P | Pivot, nose iron |
| 2..... | CM764..... | Bearing, tip connection |

Consult suggested list/XX lb shipping weight

Kit No. 154154

25K and 30K Kit With Complete Assemblies

| QTY | RL PN | DESCRIPTION |
|--------|----------------|-------------------------|
| 8..... | 0525-0056..... | Pivot, load and fulcrum |
| 4..... | 39990 | Bearing, fulcrum |
| 4..... | 39988 | Loop assembly, load |
| 1..... | 39975 | Nose iron, right |
| 1..... | 39972 | Nose iron, left |
| 1..... | 39969 | Shackle assembly |
| 4..... | 39993 | Trunnion |

Consult suggested list/XX lb shipping weight

Pivot and Bearing Kit Type 1

Kit No. 154156

40K and 50K Basic Kit

| QTY | RL PN | DESCRIPTION |
|--------|----------------|---------------------------|
| 8..... | 0525-0070..... | Pivot, load and fulcrum |
| 8..... | 39134 | Bearing, load and fulcrum |
| 2..... | 0525-0059..... | Pivot, tip |
| 2..... | 39146 | Bearing, tip |

Consult Suggested list/XX lb shipping weight

Kit No. 154155

40K and 50K Kit With Complete Assemblies

| QTY | RL PN | DESCRIPTION |
|--------|----------------|------------------------------|
| 8..... | 0525-0070..... | Pivot, load and fulcrum |
| 4..... | 39134 | Bearing, fulcrum |
| 4..... | 39133 | Loop assembly, with bearings |
| 1..... | 39148 | Tip connections |
| 1..... | 39116 | Nose iron, left |
| 1..... | 39119 | Nose iron, right |
| 4..... | 39131 | Trunnion |

Consult Suggested list/XX lb shipping weight

Rice Lake Weighing

Type II Hopper Scale Repair Kits

Kit No. 108647 Tool Steel Scales

This is a repair kit for models PLS-25-1, PLS-25-2, PLS-25-3, PLS-25-4, PLS-25-5, PLS-25-6 and PLS-7272-25

| QTY | RL PN | DESCRIPTION |
|--------|--------------|-------------------------|
| 8..... | 65351 | Pivot, load and fulcrum |
| 4..... | CM729 | Loops, load |
| 8..... | CM755 | Bearing, fulcrum |
| 1..... | N110..... | Tip connection |
| 2..... | CM761P | Pivots, tip |
| 8..... | 15297 | Pin, stand bearing |
| 8..... | 15232 | Pin, cotter |
| 4..... | CM773..... | Trunnion |

Consult Suggested list 327/33 lb shipping weight

Kit No. 108648 Stainless Steel Scales

This is a repair kit for models PLS-25-1SST, PLS-25-2SST, PLS-25-3SST, PLS-25-4SST, PLS-25-5SST and PLS-25-6SST

| QTY | RL PN | DESCRIPTION |
|----------|-------------|-------------------------|
| *8 | 65351 | Pivot, load and fulcrum |
| 4..... | 46299 | Loop, load |
| 1..... | 46288 | Center connection |
| 2..... | 46307 | Pivot, tip |
| 8..... | 46323 | Bearing, stand |
| 4..... | 46302 | Trunnion |
| 8..... | 47992 | Pin, stand bearing |
| 8..... | 15233 | Cotter key |

Consult Suggested list/33 lb shipping weight

** 65351 is for newer style scales with 3/4 in square pivots. Old style uses round pivot*

PN 46285 x wedge 46286. Page 351

